

# Preface

Z97-G43 GAMING  
Motherboard

## Copyright Notice

---

The material in this document is the intellectual property of **MICRO-STAR INTERNATIONAL**. We take every care in the preparation of this document, but no guarantee is given as to the correctness of its contents. Our products are under continual improvement and we reserve the right to make changes without notice.

## Trademarks

---

All trademarks in this manual are properties of their respective owners.

- MSI® is registered trademark of Micro-Star Int'l Co.,Ltd.
- NVIDIA® is registered trademark of NVIDIA Corporation.
- ATI® is registered trademark of AMD Corporation.
- AMD® is registered trademarks of AMD Corporation.
- Intel® is registered trademarks of Intel Corporation.
- Windows® is registered trademarks of Microsoft Corporation.
- AMI® is registered trademark of American Megatrends Inc.
- Award® is a registered trademark of Phoenix Technologies Ltd.
- Sound Blaster® is registered trademark of Creative Technology Ltd.
- Realtek® is registered trademark of Realtek Semiconductor Corporation.
- JMicron® is registered trademark of JMicron Technology Corporation.
- Netware® is registered trademark of Novell, Inc.
- Lucid® is trademark of LucidLogix Technologies, Ltd.
- VIA® is registered trademark of VIA Technologies, Inc.
- ASMedia® is registered trademark of ASMedia Technology Inc.
- iPad, iPhone, and iPod are trademarks of Apple Inc.
- Qualcomm Atheros and Killer are trademarks of Qualcomm Atheros Inc.

## Revision History

---

Revision	Revision History	Date
V2.1	Release for Z97-G43 GAMING	2014/ 05

## Smartphone Application

---



MSI+ is a smart web gadget that works as a shopping navigator and provides specs comparison for IT buyers. With a simple tap of the smartphone, you'll efficiently locate your ideal products from a wide variety of choices and, if product details are required, you may easily download user manuals within minutes. Better yet, the power calculator provides accurate estimates of power unit capacity for DIY users.



## Technical Support

---

If a problem arises with your system and no solution can be obtained from the user's manual, please contact your place of purchase or local distributor. Alternatively, please try the following help resources for further guidance.



Visit the MSI website for technical guide, BIOS updates, driver updates, and other information:

<http://www.msi.com/service/download/>



Contact our technical staff at:

<http://register.msi.com/>

## Safety Instructions

---

- Always read the safety instructions carefully.
- Keep this User's Manual for future reference.
- Keep this equipment away from humidity.
- Lay this equipment on a reliable flat surface before setting it up.
- The openings on the enclosure are for air convection hence protects the equipment from overheating. **DO NOT COVER THE OPENINGS.**
- Make sure the voltage of the power source is at 110/220V before connecting the equipment to the power inlet.
- Place the power cord such a way that people can not step on it. Do not place anything over the power cord.
- Always Unplug the Power Cord before inserting any add-on card or module.
- All cautions and warnings on the equipment should be noted.
- Never pour any liquid into the opening that can cause damage or cause electrical shock.
- If any of the following situations arises, get the equipment checked by service personnel:
  - The power cord or plug is damaged.
  - Liquid has penetrated into the equipment.
  - The equipment has been exposed to moisture.
  - The equipment does not work well or you can not get it work according to User's Manual.
  - The equipment has been dropped and damaged.
  - The equipment has obvious sign of breakage.
- **DO NOT LEAVE THIS EQUIPMENT IN AN ENVIRONMENT ABOVE 60°C (140°F), IT MAY DAMAGE THE EQUIPMENT.**

## FCC-B Radio Frequency Interference Statement

---

This equipment has been tested and found to comply with the limits for a Class B digital device, pursuant to Part 15 of the FCC Rules. These limits are designed to provide reasonable protection against harmful interference in a residential installation. This equipment generates, uses and can radiate radio frequency energy and, if not installed and used in accordance with the instructions, may cause harmful interference to radio communications. However, there is no guarantee that interference will not occur in a particular installation. If this equipment does cause harmful interference to radio or television reception, which can be determined by turning the equipment off and on, the user is encouraged to try to correct the interference by one or more of the measures listed below.

- Reorient or relocate the receiving antenna.
- Increase the separation between the equipment and receiver.
- Connect the equipment into an outlet on a circuit different from that to which the receiver is connected.
- Consult the dealer or an experienced radio/television technician for help.

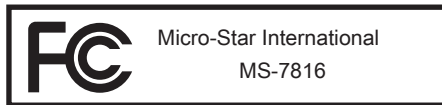
### Notice 1

The changes or modifications not expressly approved by the party responsible for compliance could void the user's authority to operate the equipment.

### Notice 2

Shielded interface cables and A.C. power cord, if any, must be used in order to comply with the emission limits.

VOIR LA NOTICE D'INSTALLATION AVANT DE RACCORDER AU RESEAU.



This device complies with Part 15 of the FCC Rules. Operation is subject to the following two conditions:

- 1) this device may not cause harmful interference, and
- 2) this device must accept any interference received, including interference that may cause undesired operation.

## CE Conformity

---

Hereby, Micro-Star International CO., LTD declares that this device is in compliance with the essential safety requirements and other relevant provisions set out in the European Directive.



## Radiation Exposure Statement

---

This equipment complies with FCC radiation exposure limits set forth for an uncontrolled environment. This equipment and its antenna should be installed and operated with minimum distance 20 cm between the radiator and your body. This equipment and its antenna must not be co-located or operating in conjunction with any other antenna or transmitter.

## European Community Compliance Statement

---

The equipment complies with the RF Exposure Requirement 1999/519/EC, Council Recommendation of 12 July 1999 on the limitation of exposure of the general public to electromagnetic fields (0–300GHz). This wireless device complies with the R&TTE Directive.

## Taiwan Wireless Statements

---

### 無線設備警告聲明

經型式認證合格之低功率射頻電機，非經許可，公司、商號或使用者均不得擅自變更頻率、加大功率或變更原設計之特性及功能。

低功率射頻電機之使用不得影響飛航安全及干擾合法通信；經發現有干擾現象時，應立即停用，並改善至無干擾時方得繼續使用。前項合法通信，指依電信法規定作業之無線電通信。低功率射頻電機須忍受合法通信或工業、科學及醫療用電波輻射性電機設備之干擾。

警告使用者：這是甲類資訊產品，在居住的環境中使用時，可能會造成無線電干擾，在這種情況下，使用者會被要求採取某些適當的對策。

## Japan VCCI Class B Statement

---

### クラス B 情報技術装置

この装置は、情報技術装置等電波障害自主規制協議会（VCCI）の基準に基づくクラスB情報技術装置です。この装置が家庭内でラジオやテレビジョン受信機に近接して使われると、受信障害を引き起こすことがあります。取扱説明書にしたがって正しい取り扱いをしてください。

## Korea Warning Statements

---

당해 무선설비는 운용중 전파혼신 가능성이 있음

## Battery Information

---



European Union:

Batteries, battery packs, and accumulators should not be disposed of as unsorted household waste. Please use the public collection system to return, recycle, or treat them in compliance with the local regulations.



Taiwan:

For better environmental protection, waste batteries should be collected separately for recycling or special disposal.

廢電池請回收



California, USA:

The button cell battery may contain perchlorate material and requires special handling when recycled or disposed of in California.

For further information please visit:

<http://www.dtsc.ca.gov/hazardouswaste/perchlorate/>

**CAUTION:** There is a risk of explosion, if battery is incorrectly replaced.  
Replace only with the same or equivalent type recommended by the manufacturer.

## Chemical Substances Information

---

In compliance with chemical substances regulations, such as the EU REACH Regulation (Regulation EC No. 1907/2006 of the European Parliament and the Council), MSI provides the information of chemical substances in products at:

[http://www.msi.com/html/popup/csr/evmtprtt\\_pcm.html](http://www.msi.com/html/popup/csr/evmtprtt_pcm.html)

# WEEE (Waste Electrical and Electronic Equipment) Statement

## ENGLISH

To protect the global environment and as an environmentalist, MSI must remind you that...

Under the European Union ("EU") Directive on Waste Electrical and Electronic Equipment, Directive 2002/96/EC, which takes effect on August 13, 2005, products of "electrical and electronic equipment" cannot be discarded as municipal wastes anymore, and manufacturers of covered electronic equipment will be obligated to take back such products at the end of their useful life. MSI will comply with the product take back requirements at the end of life of MSI-branded products that are sold into the EU. You can return these products to local collection points.



## DEUTSCH

Hinweis von MSI zur Erhaltung und Schutz unserer Umwelt

Gemäß der Richtlinie 2002/96/EG über Elektro- und Elektronik-Altgeräte dürfen Elektro- und Elektronik-Altgeräte nicht mehr als kommunale Abfälle entsorgt werden. MSI hat europaweit verschiedene Sammel- und Recyclingunternehmen beauftragt, die in die Europäische Union in Verkehr gebrachten Produkte, am Ende seines Lebenszyklus zurückzunehmen. Bitte entsorgen Sie dieses Produkt zum gegebenen Zeitpunkt ausschliesslich an einer lokalen Altgerätesammelstelle in Ihrer Nähe.

## FRANÇAIS

En tant qu'écologiste et afin de protéger l'environnement, MSI tient à rappeler ceci...

Au sujet de la directive européenne (EU) relative aux déchets des équipement électriques et électroniques, directive 2002/96/EC, prenant effet le 13 août 2005, que les produits électriques et électroniques ne peuvent être déposés dans les décharges ou tout simplement mis à la poubelle. Les fabricants de ces équipements seront obligés de récupérer certains produits en fin de vie. MSI prendra en compte cette exigence relative au retour des produits en fin de vie au sein de la communauté européenne. Par conséquent vous pouvez retourner localement ces matériels dans les points de collecte.

## РУССКИЙ

Компания MSI предпринимает активные действия по защите окружающей среды, поэтому напоминаем вам, что....

В соответствии с директивой Европейского Союза (ЕС) по предотвращению загрязнения окружающей среды использованным электрическим и электронным оборудованием (директива WEEE 2002/96/EC), вступающей в силу 13 августа 2005 года, изделия, относящиеся к электрическому и электронному оборудованию, не могут рассматриваться как бытовой мусор, поэтому производители вышеперечисленного электронного оборудования обязаны принимать его для переработки по окончании срока службы. MSI обязуется соблюдать требования по приему продукции, проданной под маркой MSI на территории ЕС, в переработку по окончании срока службы. Вы можете вернуть эти изделия в специализированные пункты приема.

## ESPAÑOL

MSI como empresa comprometida con la protección del medio ambiente, recomienda: Bajo la directiva 2002/96/EC de la Unión Europea en materia de desechos y/o equipos electrónicos, con fecha de rigor desde el 13 de agosto de 2005, los productos clasificados como “eléctricos y equipos electrónicos” no pueden ser depositados en los contenedores habituales de su municipio, los fabricantes de equipos electrónicos, están obligados a hacerse cargo de dichos productos al termino de su período de vida. MSI estará comprometido con los términos de recogida de sus productos vendidos en la Unión Europea al final de su periodo de vida. Usted debe depositar estos productos en el punto limpio establecido por el ayuntamiento de su localidad o entregar a una empresa autorizada para la recogida de estos residuos.

## NEDERLANDS

Om het milieu te beschermen, wil MSI u eraan herinneren dat...

De richtlijn van de Europese Unie (EU) met betrekking tot Vervuiling van Electriche en Electronische producten (2002/96/EC), die op 13 Augustus 2005 in zal gaan kunnen niet meer beschouwd worden als vervuiling. Fabrikanten van dit soort producten worden verplicht om producten retour te nemen aan het eind van hun levenscyclus. MSI zal overeenkomstig de richtlijn handelen voor de producten die de merknaam MSI dragen en verkocht zijn in de EU. Deze goederen kunnen geretourneerd worden op lokale inzamelingspunten.

## SRPSKI

Da bi zaštitili prirodnu sredinu, i kao preduzeće koje vodi računa o okolini i prirodnoj sredini, MSI mora da vas pedesti da...

Po Direktivi Evropske unije (“EU”) o odbačenju elektonskoj i električnoj opremi, Direktiva 2002/96/EC, koja stupa na snagu od 13. Avgusta 2005, proizvodi koji spadaju pod “elektronsku i električnu opremu” ne mogu više biti odbačeni kao običan otpad i proizvođači ove opreme biće prinuđeni da uzmu natrag ove proizvode na kraju njihovog uobičajenog veka trajanja. MSI će poštovati zahtev o preuzimanju ovakvih proizvoda kojima je istekao vek trajanja, koji imaju MSI oznaku i koji su prodati u EU. Ove proizvode možete vratiti na lokalnim mestima za prikupljanje.

## POLSKI

Aby chronić nasze środowisko naturalne oraz jako firma dbająca o ekologię, MSI przypomina, że...

Zgodnie z Dyrektywą Unii Europejskiej (“UE”) dotyczącą odpadów produktów elektrycznych i elektronicznych (Dyrektywa 2002/96/EC), która wchodzi w życie 13 sierpnia 2005, tzw. “produkty oraz wyposażenie elektryczne i elektroniczne “ nie mogą być traktowane jako śmieci komunalne, tak więc producenci tych produktów będą zobowiązani do odbierania ich w momencie gdy produkt jest wycofywany z użycia. MSI wypełni wymagania UE, przyjmując produkty (sprzedawane na terenie Unii Europejskiej) wycofywane z użycia. Produkty MSI będzie można zwracać w wyznaczonych punktach zbiorczych.

## TÜRKÇE

Çevreci özelliğiyle bilinen MSI dünyada çevreyi korumak için hatırlatır:

Avrupa Birliği (AB) Kararnamesi Elektrik ve Elektronik Malzeme Atığı, 2002/96/EC Kararnamesi altında 13 Ağustos 2005 tarihinden itibaren geçerli olmak üzere, elektrikli ve elektronik malzemeler diğer atıklar gibi çöpe atılmayacak ve bu elektronik cihazların üreticileri, cihazların kullanım süreleri bittikten sonra ürünleri geri toplamakla yükümlü olacaktır. Avrupa Birliği'ne satılan MSI markalı ürünlerin kullanım süreleri bittiğinde MSI ürünlerin geri alınması isteği ile işbirliği içerisinde olacaktır. Ürünlerinizi yerel toplama noktalarına bırakabilirsiniz.

## ČESKY

Záleží nám na ochraně životního prostředí - společnost MSI upozorňuje...

Podle směrnice Evropské unie ("EU") o likvidaci elektrických a elektronických výrobků 2002/96/EC platné od 13. srpna 2005 je zakázáno likvidovat "elektrické a elektronické výrobky" v běžném komunálním odpadu a výrobci elektronických výrobků, na které se tato směrnice vztahuje, budou povinni odebírat takové výrobky zpět po skončení jejich životnosti. Společnost MSI splní požadavky na odebírání výrobků značky MSI, prodávaných v zemích EU, po skončení jejich životnosti. Tyto výrobky můžete odevzdat v místních sběrnách.

## MAGYAR

Annak érdekében, hogy környezetünket megvédjük, illetve környezetvédként fellépve az MSI emlékezteti Önt, hogy ...

Az Európai Unió („EU”) 2005. augusztus 13-án hatályba lépő, az elektromos és elektronikus berendezések hulladékairól szóló 2002/96/EK irányelve szerint az elektromos és elektronikus berendezések többé nem kezelhetőek lakossági hulladékként, és az ilyen elektronikus berendezések gyártói köteleessé válnak az ilyen termékek visszavételére azok hasznos élettartama végén. Az MSI betartja a termékvisszavétellel kapcsolatos követelményeket az MSI márkanév alatt az EU-n belül értékesített termékek esetében, azok élettartamának végén. Az ilyen termékeket a legközelebbi gyűjtőhelyre viheti.

## ITALIANO

Per proteggere l'ambiente, MSI, da sempre amica della natura, ti ricorda che....

In base alla Direttiva dell'Unione Europea (EU) sullo Smaltimento dei Materiali Elettrici ed Elettronici, Direttiva 2002/96/EC in vigore dal 13 Agosto 2005, prodotti appartenenti alla categoria dei Materiali Elettrici ed Elettronici non possono più essere eliminati come rifiuti municipali: i produttori di detti materiali saranno obbligati a ritirare ogni prodotto alla fine del suo ciclo di vita. MSI si adeguerà a tale Direttiva ritirando tutti i prodotti marchiati MSI che sono stati venduti all'interno dell'Unione Europea alla fine del loro ciclo di vita. È possibile portare i prodotti nel più vicino punto di raccolta

# CONTENTS

<b>English</b> .....	<b>En-1</b>
Motherboard Specifications.....	En-2
Connectors Quick Guide.....	En-5
Back Panel Quick Guide.....	En-7
CPU (Central Processing Unit).....	En-9
Memory.....	En-13
Mounting Screw Holes.....	En-14
Power Supply.....	En-15
Expansion Slots.....	En-16
Video/ Graphics Cards.....	En-17
Internal Connectors.....	En-18
Jumper.....	En-24
Drivers and Utilities.....	En-25
BIOS Setup.....	En-26
<b>Deutsch</b> .....	<b>De-1</b>
Spezifikationen.....	De-2
Anschlussübersicht.....	De-5
Rücktafel-Übersicht.....	De-7
CPU (Prozessor).....	De-9
Speicher.....	De-13
Schraubenlöcher für die Montage.....	De-14
Stromversorgung.....	De-15
Erweiterungssteckplätze.....	De-16
Video/ Grafikkarten.....	De-17
Interne Anschlüsse.....	De-18
Steckbrücke.....	De-24
Treiber und Dienstprogramme.....	De-25
BIOS Setup.....	De-26
<b>Français</b> .....	<b>Fr-1</b>
Spécifications.....	Fr-2
Guide Rapide Des Connecteurs.....	Fr-5
Guide rapide du panneau arrière.....	Fr-7
Processeur : CPU.....	Fr-9
Mémoire.....	Fr-13
Trous Taraudés de Montage.....	Fr-14
Connecteurs d'alimentation.....	Fr-15

Emplacements d'extension .....	Fr-16
Cartes Vidéo/ Graphics .....	Fr-17
Connecteurs internes .....	Fr-18
Cavaliers .....	Fr-24
Pilotes et Utilitaires.....	Fr-25
Configuration BIOS .....	Fr-26
<b>Русский .....</b>	<b>Ru-1</b>
Характеристики материнской платы .....	Ru-2
Краткое руководство по разъемам .....	Ru-5
Краткое руководство по работе с задней панелью .....	Ru-7
ЦП (центральный процессор).....	Ru-9
Память.....	Ru-13
Отверстия под установочные винты.....	Ru-14
Электропитание.....	Ru-15
Слоты расширения.....	Ru-16
Видео/ Установка дискретной видеокарты .....	Ru-17
Внутренние разъемы .....	Ru-18
Джампер.....	Ru-24
Драйверы и утилиты .....	Ru-25
Настройка BIOS.....	Ru-26
<b>Installation/ Установка .....</b>	<b>A-1</b>
CPU.....	A-2
Memory/ Speicher/ Mémoire/ Памяти .....	A-4
Motherboard/ Carte mère/ Материнские платы .....	A-5
Power Connector/ ATX-Stromanschluss/ Connecteurs d'alimentation/ Разъема питания.....	A-7
SATA HDD.....	A-9
mSATA SSD .....	A-10
Front Panel Connector/ Frontpanel Anschluss/ Connecteur panneau avant/ Разъемов передней панели .....	A-11
Peripheral Connector/ Peripheriestecker/ Connecteur périphérique/ Периферийных разъемов .....	A-12
Graphics Card/ Grafikkarte/ Carte graphique/ Видеокарты .....	A-13

# English

Thank you for choosing the Z97-G43 GAMING Series (MS-7816 v2.X) ATX motherboard. The Z97-G43 GAMING Series motherboards are based on Intel® Z97 Express chipset for optimal system efficiency. Designed to fit the advanced Intel® LGA1150 processor, the Z97-G43 GAMING Series motherboards deliver a high performance and professional desktop platform solution.

## Motherboard Specifications

<b>CPU Support</b>	<ul style="list-style-type: none"> <li>■ Supports 4th and 5th Generation Intel® Core™ Processors, and Intel® Pentium® and Celeron® Processors for Socket LGA1150</li> </ul>
<b>Chipset</b>	<ul style="list-style-type: none"> <li>■ Intel® Z97 Express Chipset</li> </ul>
<b>Memory Support</b>	<ul style="list-style-type: none"> <li>■ 4x DDR3 memory slots supporting up to 32GB</li> <li>■ Supports DDR3 3000(OC)/ 2800(OC)/ 2666(OC)/ 2600(OC)/ 2400(OC)/ 2200(OC)/ 2133(OC)/ 2000(OC)/ 1866(OC)/ 1600/ 1333/ 1066 MHz</li> <li>■ Dual channel memory architecture</li> <li>■ Supports non-ECC, un-buffered memory</li> <li>■ Supports Intel® Extreme Memory Profile (XMP)</li> </ul>
<b>Expansion Slots</b>	<ul style="list-style-type: none"> <li>■ 1x PCIe 3.0 x16 slot, supports up to PCIe 3.0 x16 speed</li> <li>■ 1x PCIe 2.0 x16 slot, supports up to PCIe 2.0 x4 speed</li> <li>■ 2x PCIe 2.0 x1 slots</li> <li>■ 3x PCI slots</li> </ul>
<b>Onboard Graphics</b>	<ul style="list-style-type: none"> <li>■ 1x VGA port, supports the maximum resolution of 1920x1200 @ 60Hz</li> <li>■ 1x HDMI® port, supports the maximum resolutions of 4096x2160@24Hz, 24bpp/ 2560x1600@60Hz, 24bpp/ 1920x1080@60Hz, 36bpp</li> <li>■ 1x DVI-D port, supports the maximum resolution of 1920x1200 @ 60Hz</li> </ul>
<b>Multi-GPU Support</b>	<ul style="list-style-type: none"> <li>■ Supports 2-Way AMD CrossFire™ Technology*</li> </ul> <p>* Supports Windows 7 and Windows 8/ 8.1</p>
<b>Storage</b>	<ul style="list-style-type: none"> <li>■ Intel® Z97 Express Chipset               <ul style="list-style-type: none"> <li>- 6x SATA 6Gb/s ports (SATA1~6)</li> <li>- Supports RAID 0, RAID1, RAID 5 and RAID 10</li> <li>- Supports Intel® Smart Response Technology, Intel® Rapid Start Technology and Intel® Smart Connect Technology*</li> </ul> </li> </ul> <p>* Supports Intel® Core processors on Windows 7 and Windows 8/ 8.1</p>
<b>Audio</b>	<ul style="list-style-type: none"> <li>■ Realtek® ALC1150 Codec               <ul style="list-style-type: none"> <li>- 7.1-Channel High Definition Audio</li> </ul> </li> </ul>
<b>USB</b>	<ul style="list-style-type: none"> <li>■ Intel Z97 Express Chipset               <ul style="list-style-type: none"> <li>- 4x USB 3.0 ports (2 ports on the back panel, 2 ports available through the internal USB 3.0 connector)</li> <li>- 10x USB 2.0 ports (6 ports on the back panel, 4 ports available through the internal USB 2.0 connectors)</li> </ul> </li> </ul>
<b>LAN</b>	<ul style="list-style-type: none"> <li>■ 1x Killer E2205 Gigabit LAN controller</li> </ul> <p>* The Killer Network Manager is only available for Windows 7 and Windows 8/ 8.1 currently. The supported drivers for other operating systems would be available on the website if provided .by vendor.</p>

<b>Back Panel Connectors</b>	<ul style="list-style-type: none"> <li>■ 1x PS/2 keyboard/ mouse combo port</li> <li>■ 6x USB 2.0 ports</li> <li>■ 1x HDMI port</li> <li>■ 1x VGA port</li> <li>■ 1x DVI-D port</li> <li>■ 1x LAN (RJ45) port</li> <li>■ 2x USB 3.0 ports</li> <li>■ 6x OFC audio jacks</li> </ul>
<b>Internal Connectors</b>	<ul style="list-style-type: none"> <li>■ 1x 24-pin ATX main power connector</li> <li>■ 1x 8-pin ATX 12V power connector</li> <li>■ 6x SATA connectors</li> <li>■ 2x USB 2.0 connectors (supports additional 4 USB 2.0 ports)</li> <li>■ 1x USB 3.0 connector (supports additional 2 USB 3.0 ports)</li> <li>■ 2x 4-pin CPU fan connectors</li> <li>■ 3x 4-pin system fan connectors</li> <li>■ 1x Clear CMOS jumper</li> <li>■ 1x Front panel audio connector</li> <li>■ 2x System panel connectors</li> <li>■ 1x TPM module connector</li> <li>■ 1x Serial port connector</li> <li>■ 1x Parallel port connector</li> <li>■ 1x Chassis Intrusion connector</li> </ul>
<b>I/O Controller</b>	<ul style="list-style-type: none"> <li>■ NUVOTON NCT6779 Controller Chip</li> </ul>
<b>Hardware Monitor</b>	<ul style="list-style-type: none"> <li>■ CPU/System temperature detection</li> <li>■ CPU/System fan speed detection</li> <li>■ CPU/System fan speed control</li> </ul>
<b>BIOS Features</b>	<ul style="list-style-type: none"> <li>■ 64 Mb flash</li> <li>■ UEFI AMI BIOS</li> <li>■ ACPI 5.0, PnP 1.0a, SM BIOS 2.7, DMI 2.0</li> <li>■ Multi-language</li> </ul>
<b>Special Features</b>	<ul style="list-style-type: none"> <li>■ Military Class 4</li> <li>■ OC Genie 4</li> <li>■ CLICK BIOS 4</li> <li>■ All Solid CAPs</li> <li>■ AMD CrossFire</li> <li>■ PCI Express Gen 3</li> <li>■ Sound Blaster Cinema</li> <li>■ Smart Utilities</li> <li>■ USB 3.0</li> <li>■ SATA 6Gb/s</li> <li>■ Command Center</li> <li>■ Live Update</li> <li>■ M-Flash</li> </ul>

<b>Software</b>	<ul style="list-style-type: none"><li>■ Drivers</li><li>■ MSI<ul style="list-style-type: none"><li>- Command Center</li><li>- Super Charger</li><li>- Smart Utilities</li><li>- Live Update 6</li><li>- Fast Boot</li></ul></li><li>■ 7-ZIP</li><li>■ Intel Extreme Tuning Utility</li><li>■ Sound Blaster Cinema</li><li>■ Norton Internet Security Solution</li><li>■ Killer Network Manager</li></ul>
<b>Form Factor</b>	<ul style="list-style-type: none"><li>■ ATX Form Factor</li><li>■ 12.0 in. x 9.6 in. (30.5 cm x 24.4 cm)</li></ul>

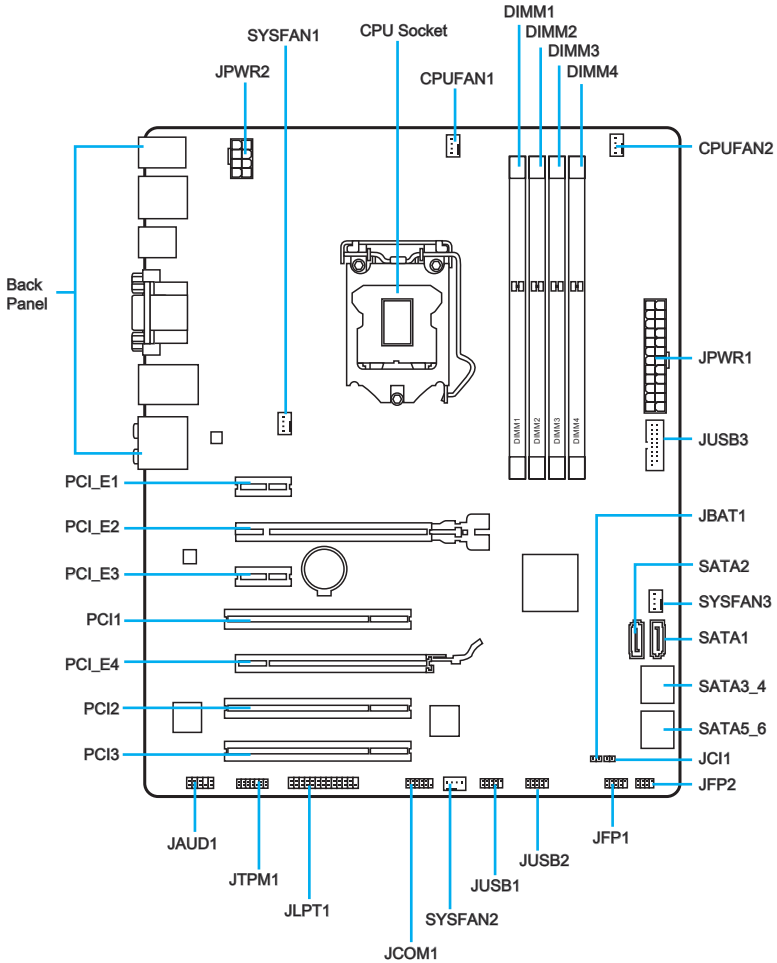


For the latest information about CPU, please visit  
<http://www.msi.com/cpu-support/>



For more information on compatible components, please visit  
<http://www.msi.com/test-report/>

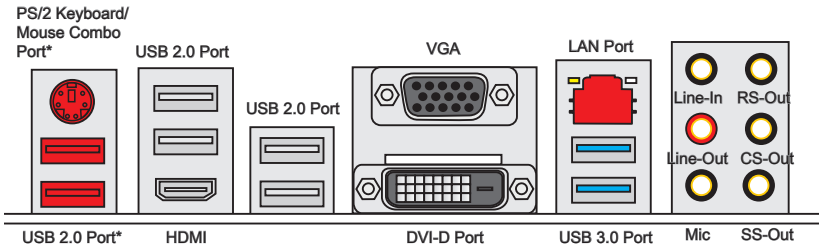
# Connectors Quick Guide



## Connectors Reference Guide

Port Name	Port Type	Page
Back Panel	I/O Ports	En-7
CPU Socket	LGA1150 CPU Socket	En-10
CPUFAN1~2,SYSFAN1~3	Fan Power Connectors	En-19
DIMM1~4	DDR3 Memory Slots	En-13
JAUD1	Front Panel Audio Connector	En-23
JBAT1	Clear CMOS Jumper	En-24
JCI1	Chassis Intrusion Connector	En-22
JCOM1	Serial Port Connector	En-24
JFP1, JFP2	System Panel Connectors	En-20
JLPT1	Parallel Port Connector	En-23
JPWR1~2	ATX Power Connectors	En-15
JTPM1	TPM Module Connector	En-21
JUSB1~2	USB 2.0 Expansion Connectors	En-21
JUSB3	USB 3.0 Expansion Connector	En-21
PCI_E1~E4	PCIe Expansion Slots	En-16
PCI1~3	PCI Expansion Slots	En-16
SATA1~6	SATA Connectors	En-18

# Back Panel Quick Guide



\* Gaming Device Port.

### ▶ PS/2 Keyboard/Mouse Combo Port

A combination of PS/2® mouse/keyboard DIN connector for a PS/2® mouse/keyboard.

### ▶ VGA Port

The DB15-pin female connector is provided for monitor.

### ▶ DVI-D Port

The DVI-D (Digital Visual Interface- Digital) connector can be connected to a LCD monitor, or a CRT monitor with an adapter. To connect a monitor, please refer to the monitor's manual for more information.

### ▶ HDMI Port **HDMI**<sup>®</sup> HIGH-DEFINITION MULTIMEDIA INTERFACE

The High-Definition Multimedia Interface (HDMI) is an all-digital audio-video interface that is capable of transmitting uncompressed streams. HDMI supports all types of TV formats, including standard, enhanced, or high-definition video, plus multi-channel digital audio on a single cable.



### **Important**

*This platform supports dual-display or triple-display function by integrated graphics output ports.*

	VGA+DVI-D	DVI-D+HDMI	HDMI+VGA	HDMI+VGA+DVI-D
Extend mode (Extend the desktop to other monitors)	○	○	○	○
Clone mode (Monitors have the same screen)	○	○	○	○

### ▶ USB 2.0 Port

The USB 2.0 port is for attaching USB 2.0 devices such as keyboard, mouse, or other USB 2.0-compatible devices.

### ► USB 3.0 Port

USB 3.0 port is backward-compatible with USB 2.0 devices. It supports data transfer rate up to 5 Gbit/s (SuperSpeed).

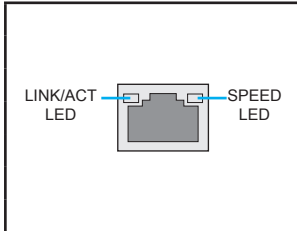


### ***Important***

*In order to use USB 3.0 devices, you must connect to a USB 3.0 port. If a USB cable is used, it must be USB 3.0 compliant.*

### ► LAN Port

The standard RJ-45 LAN jack is for connecting to a Local Area Network (LAN).

	LED	LED Status	Description
	Link/ Activity LED	Off	No link
		Yellow	Linked
		Blinking	Data activity
	Speed LED	Off	10 Mbps connection
		Green	100 Mbps connection
Orange		1 Gbps connection	

### ► Audio Ports

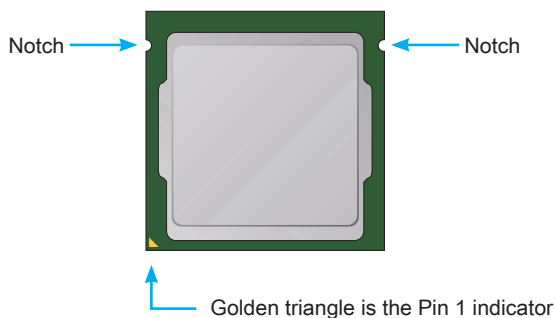
These connectors are used for audio devices.

- Line in: Used for connecting external audio outputting devices.
- Line out: Used as a connector for speakers sound line out in 2/ 4/ 5.1/ 7.1 channel mode or headphone.
- Mic: Used as a connector for a microphone.
- RS-Out: Rear surround sound line out in 4/ 5.1/ 7.1 channel mode.
- CS-Out: Center/ subwoofer line out in 5.1/ 7.1 channel mode.
- SS-Out: Side surround sound line out in 7.1 channel mode.

# CPU (Central Processing Unit)

## Introduction to the LGA 1150 CPU

The surface of the LGA 1150 CPU has two notches and a golden triangle to assist in correctly lining up the CPU for motherboard placement. The golden triangle is the Pin 1 indicator.



### **Important**

#### **Overheating**

Overheating can seriously damage the CPU and motherboard. Always make sure the cooling fans work properly to protect the CPU from overheating. Be sure to apply an even layer of thermal paste (or thermal tape) between the CPU and the heatsink to enhance heat dissipation.

#### **Replacing the CPU**

When replacing the CPU, always turn off the system's power supply and unplug the power supply's power cord to ensure the safety of the CPU.

#### **Overclocking**

This motherboard is designed to support overclocking. Before attempting to overclock, please make sure that all other system components can tolerate overclocking. Any attempt to operate beyond product specifications is not recommend. MSI does not guarantee the damages or risks caused by inadequate operation beyond product specifications.

## CPU & Heatsink Installation

When installing a CPU, always remember to install a CPU heatsink. A CPU heatsink is necessary to prevent overheating and maintain system stability. Follow the steps below to ensure correct CPU and heatsink installation. Wrong installation can damage both the CPU and the motherboard.



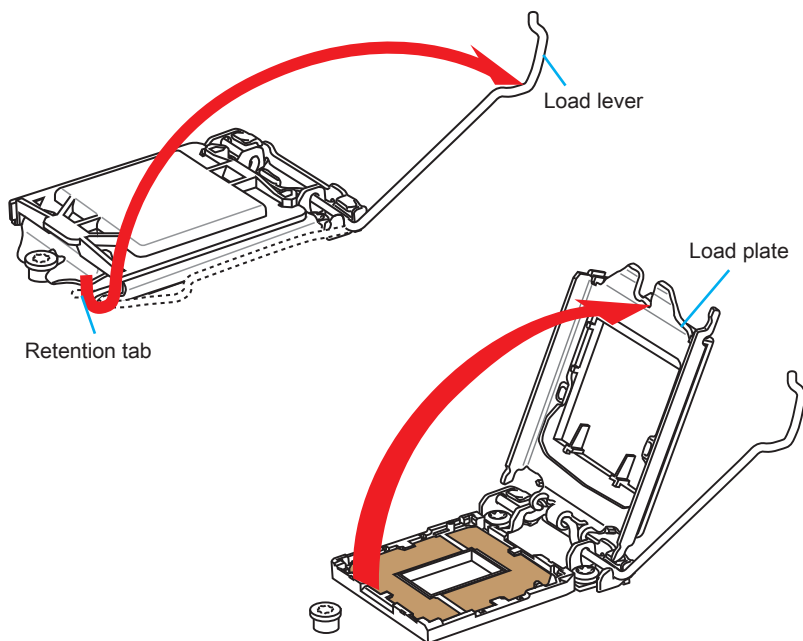
### *Video Demonstration*

Watch the video to learn how to install CPU & heatsink.

<http://youtu.be/bf5La099url>



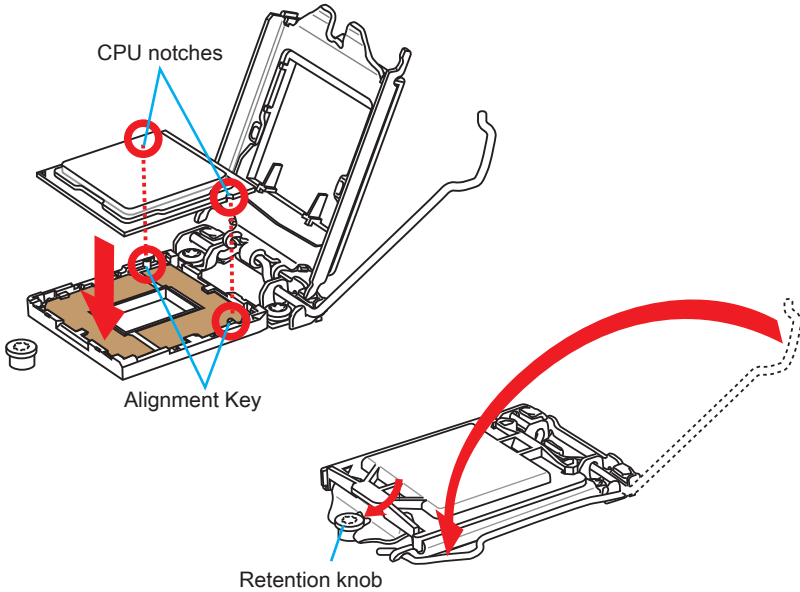
1. Push the load lever down to unclip it and lift to the fully open position.
2. The load plate will automatically lift up as the load lever is pushed to the fully open position.



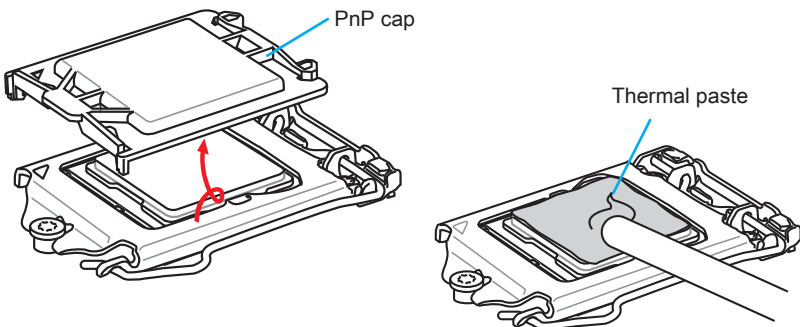
### **Important**

Do not touch the socket contacts or the bottom of the CPU.

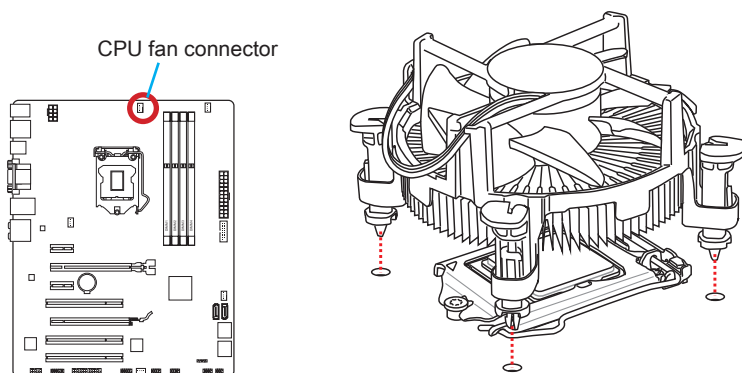
- Align the notches with the socket alignment keys. Lower the CPU straight down, without tilting or sliding the CPU in the socket. Inspect the CPU to check if it is properly seated in the socket.
- Close and slide the load plate under the retention knob. Close and engage the load lever.



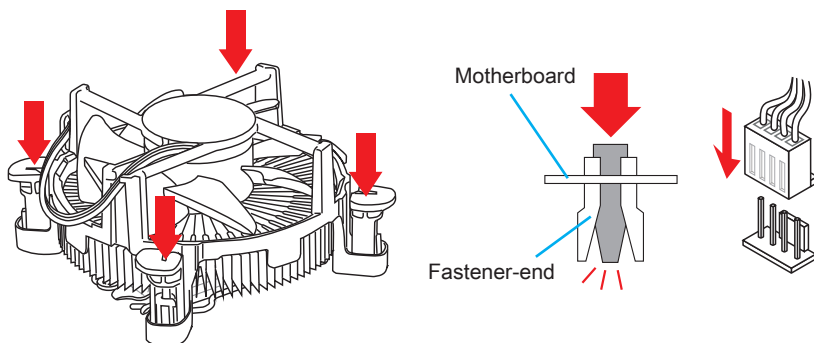
- When you press down the load lever the PnP cap will automatically pop up from the CPU socket. Do not discard the PnP cap. Always replace the PnP cap if the CPU is removed from the socket.
- Evenly spread a thin layer of thermal paste (or thermal tape) on the top of the CPU. This will help in heat dissipation and prevent CPU overheating.



7. Locate the CPU fan connector on the motherboard.
8. Place the heatsink on the motherboard with the fan's cable facing towards the fan connector and the fasteners matching the holes on the motherboard.



9. Push down the heatsink until the four fasteners get wedged into the holes on the motherboard. Press the four fasteners down to fasten the heatsink. As each fastener locks into position a click should be heard.
10. Inspect the motherboard to ensure that the fastener-ends have been properly locked in place.
11. Finally, attach the CPU fan cable to the CPU fan connector on the motherboard.

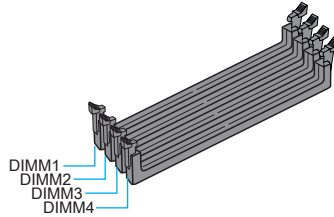
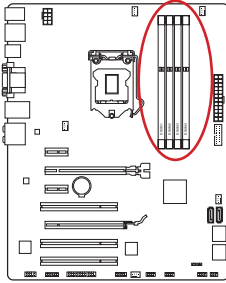


**! Important**

- Confirm that the CPU heatsink has formed a tight seal with the CPU before booting your system.
- Whenever the CPU is not installed, always protect the CPU socket pins by covering the socket with the plastic cap.
- If you purchased a separate CPU and heatsink/ cooler, Please refer to the documentation in the heatsink/ cooler package for more details about installation.

# Memory

These DIMM slots are used for installing memory modules.



## Video Demonstration

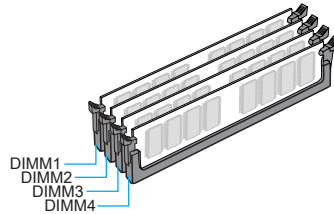
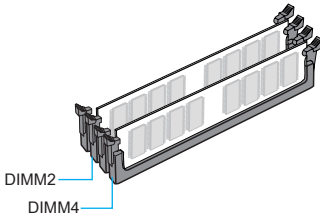
Watch the video to learn how to install memories.

<http://youtu.be/76yLtJaKICQ>



## Dual-Channel mode Population Rule

In Dual-Channel mode, the memory modules can transmit and receive data with two data bus channels simultaneously. Enabling Dual-Channel mode can enhance system performance. The following illustrations explain the population rules for Dual-Channel mode.

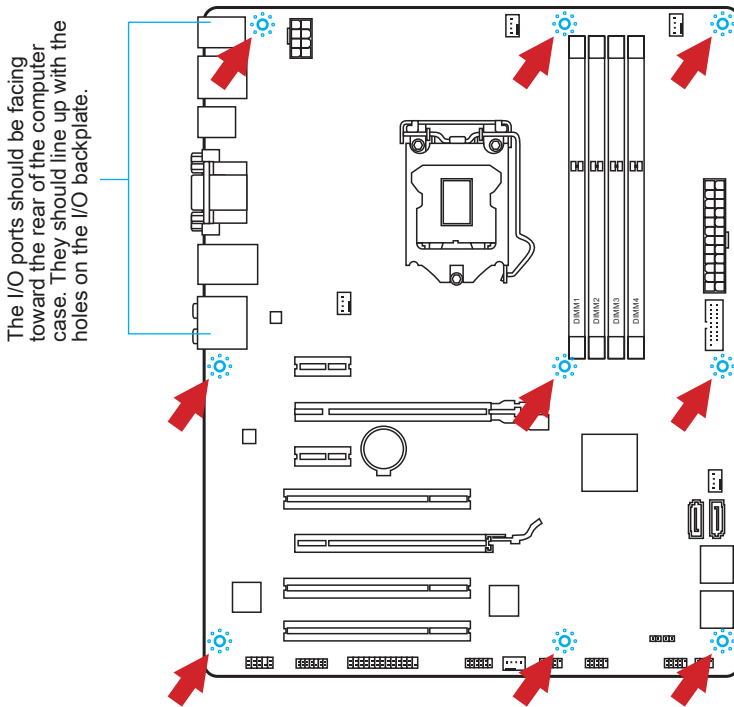


## Important

- *DDR3 memory modules are not interchangeable with DDR2, and the DDR3 standard is not backward compatible. Always install DDR3 memory modules in DDR3 DIMM slots.*
- *To ensure system stability, memory modules must be of the same type and density in Dual-Channel mode.*
- *Due to chipset resource usage, the system will only detect up to 31+ GB of memory (not full 32 GB) when all DIMM slots have 8GB memory modules installed.*

## Mounting Screw Holes

When installing the motherboard, first install the necessary mounting stands required for an motherboard on the mounting plate in your computer case. If there is an I/O back plate that came with the computer case, please replace it with the I/O backplate that came with the motherboard package. The I/O backplate should snap easily into the computer case without the need for any screws. Align the mounting plate's mounting stands with the screw holes on the motherboard and secure the motherboard with the screws provided with your computer case. The locations of the screw holes on the motherboard are shown below. For more information, please refer to the manual that came with the computer case.



### **Important**

- Install the motherboard on a flat surface free from unnecessary debris.
- To prevent damage to the motherboard, any contact between the motherboard circuitry and the computer case, except for the mounting stands, is prohibited.
- Please make sure there are no loose metal components on the motherboard or within the computer case that may cause a short circuit of the motherboard.

# Power Supply



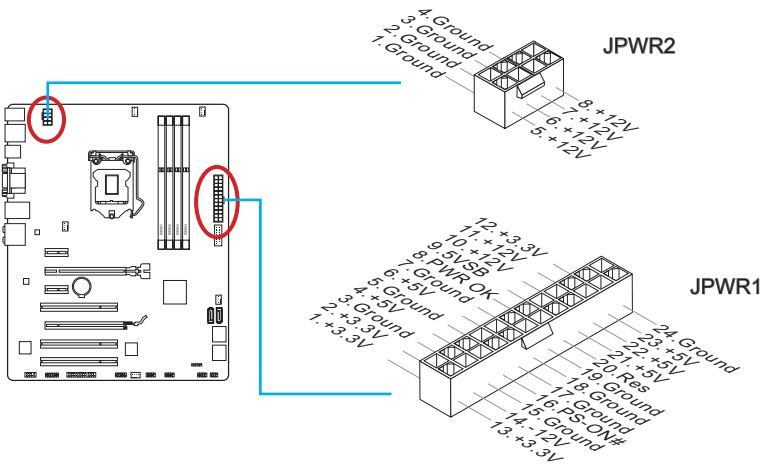
## Video Demonstration

Watch the video to learn how to install power supply connectors.  
[http://youtu.be/gkDYyR\\_83l4](http://youtu.be/gkDYyR_83l4)



## JPWR1~2: ATX Power Connectors

These connectors allow you to connect an ATX power supply. To connect the ATX power supply, align the power supply cable with the connector and firmly press the cable into the connector. If done correctly, the clip on the power cable should be hooked on the motherboard's power connector.



## Important

Make sure that all the power cables are securely connected to a proper ATX power supply to ensure stable operation of the motherboard.

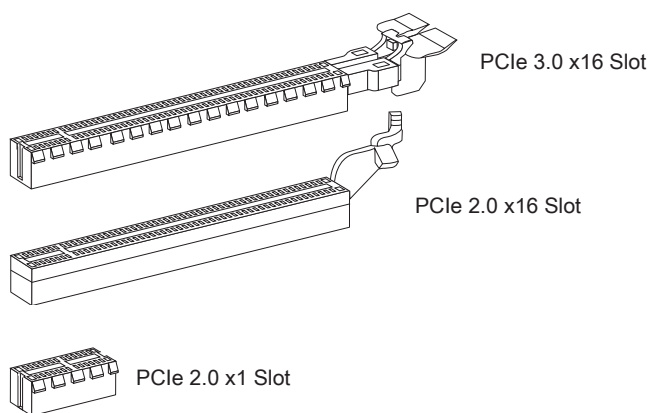
## Expansion Slots

---

This motherboard contains numerous slots for expansion cards, such as discrete graphics or audio cards.

### PCI\_E1~E4: PCIe Expansion Slot

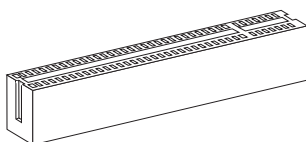
The PCIe slot supports the PCIe interface expansion card.



---

### PCI1~3: PCI Expansion Slot

The PCI slot supports additional LAN, SCSI, USB, and other add-on cards that comply with PCI specifications.



### **Important**

*When adding or removing expansion cards, always turn off the power supply and unplug the power supply power cable from the power outlet. Read the expansion card's documentation to check for any necessary additional hardware or software changes.*

## Video/ Graphics Cards

---

If available, this motherboard takes advantage of the CPU's integrate graphics processor, but discrete video cards can be installed by way of the motherboard's expansion slots. Adding on one or more discrete video cards will significantly boost the system's graphics performance. For best compatibility, MSI graphics cards are recommended.



### *Video Demonstration*

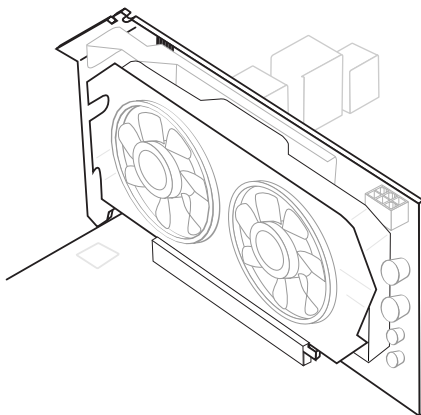
Watch the video to learn how to install a graphics card on PCIe x16 slot with butterfly lock.

[http://youtu.be/mG0GZpr9w\\_A](http://youtu.be/mG0GZpr9w_A)



### Single Video Card Installation

1. Determine what type of expansion slot(s) the video card will use. Locate the expansion slot(s) on the motherboard. Remove any protective expansion slot covers from the computer case.
2. Line up the video card on top of the expansion slot(s) with the display ports facing out of the computer case. For a single video card installation, using the PCI\_E2 slot is recommended.
3. Push the video card into its expansion slot(s). Depending on the expansion slot(s) used, there should be clip(s) on the expansion slot(s) that will lock in place.
4. If needed, screw the edge of the graphics card to the computer case. Some video cards might require a power cable directly from the power supply.
5. Please consult your video card's manual for further instructions regarding driver installation or other special settings.



## Internal Connectors

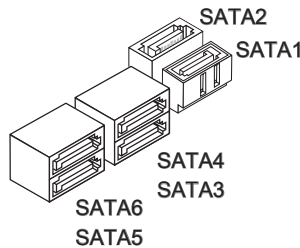
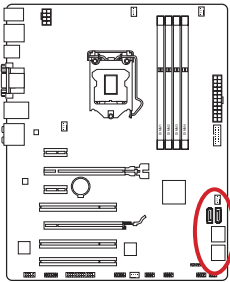
### SATA1~6: SATA Connector

This connector is a high-speed SATA interface port. Each connector can connect to one SATA device. SATA devices include disk drives (HDD), solid state drives (SSD), and optical drives (CD / DVD / Blu-Ray).



#### *Video Demonstration*

Watch the video to learn how to Install SATA HDD.  
<http://youtu.be/RZsMpqxthc>

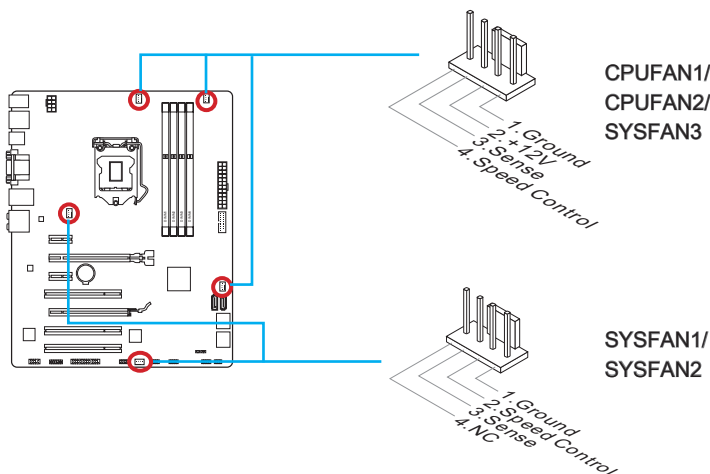


#### **Important**

- Many SATA devices also need a power cable from the power supply. Such devices include disk drives (HDD), solid state drives (SSD), and optical drives (CD / DVD / Blu-Ray). Please refer to the device's manual for further information.
- Many computer cases also require that large SATA devices, such as HDDs, SSDs, and optical drives, be screwed down into the case. Refer to the manual that came with your computer case or your SATA device for further installation instructions.
- Please do not fold the SATA cable at a 90-degree angle. Data loss may result during transmission otherwise.
- SATA cables have identical plugs on either sides of the cable. However, it is recommended that the flat connector be connected to the motherboard for space saving purposes.

## CPUFAN1~2,SYSFAN1~3: Fan Power Connectors

The fan power connectors support system cooling fans with +12V. If the motherboard has a System Hardware Monitor chipset on-board, you must use a specially designed fan with a speed sensor to take advantage of the CPU fan control. Remember to connect all system fans. Some system fans may not connect to the motherboard and will instead connect to the power supply directly. A system fan can be plugged into any available system fan connector.



### **Important**

- Please refer to your processor's official website or consult your vendor to find recommended CPU heatsink.
- These connectors support Smart Fan Control with liner mode. The Command Center utility can be installed to automatically control the fan speeds according to the CPU's and system's temperature.
- If there are not enough ports on the motherboard to connect all system fans, adapters are available to connect a fan directly to a power supply.
- Before first boot up, ensure that there are no cables impeding any fan blades.

## JFP1, JFP2: System Panel Connectors

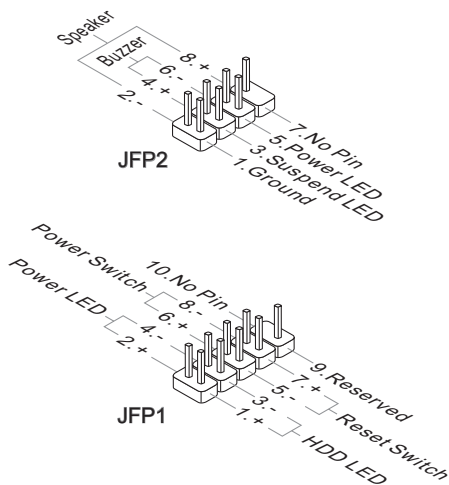
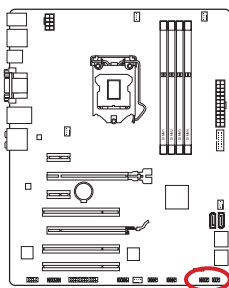
These connectors connect to the front panel switches and LEDs. The JFP1 connector is compliant with the Intel® Front Panel I/O Connectivity Design Guide. When installing the front panel connectors, please use the optional M-Connector to simplify installation. Plug all the wires from the computer case into the M-Connector and then plug the M-Connector into the motherboard.



### Video Demonstration

Watch the video to learn how to install front panel connectors.

<http://youtu.be/DPELIdVNZUI>

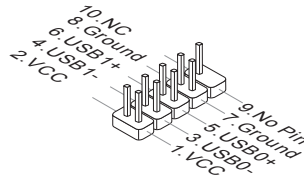
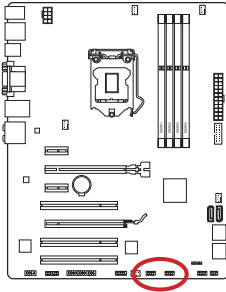


### Important

- On the connectors coming from the case, pins marked by small triangles are positive wires. Please use the diagrams above and the writing on the optional M-Connectors to determine correct connector orientation and placement.
- The majority of the computer case's front panel connectors will primarily be plugged into JFP1.

## JUSB1~2: USB 2.0 Expansion Connector

This connector is designed for connecting high-speed USB peripherals such as USB HDDs, digital cameras, MP3 players, printers, modems, and many others.

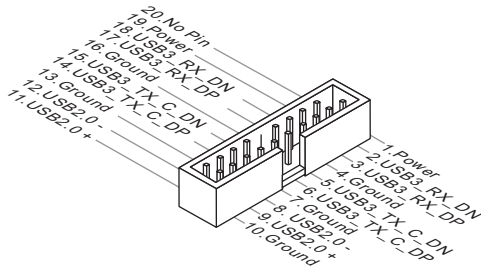
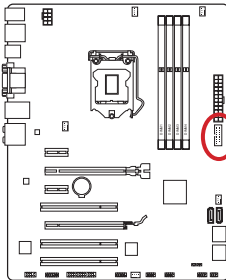


### Important

Note that the VCC and GND pins must be connected correctly to avoid possible damage.

## JUSB3: USB 3.0 Expansion Connector

The USB 3.0 port is backwards compatible with USB 2.0 devices. It supports data transfer rates up to 5Gbits/s (SuperSpeed).

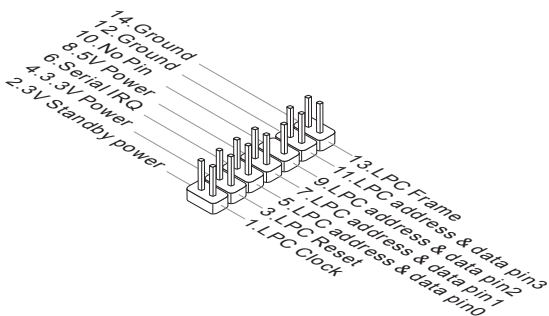
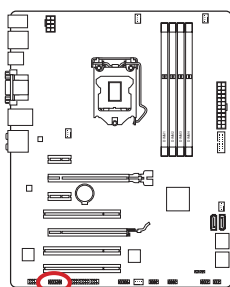


### Important

- Note that the VCC and GND pins must be connected correctly to avoid possible damage.
- To use a USB 3.0 device, you must connect the device to a USB 3.0 port through an optional USB 3.0 compliant cable.

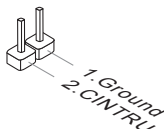
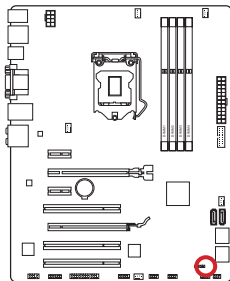
## JTPM1: TPM Module Connector

This connector connects to an optional TPM (Trusted Platform Module) Module. Please refer to the TPM security platform manual for more details and usages.



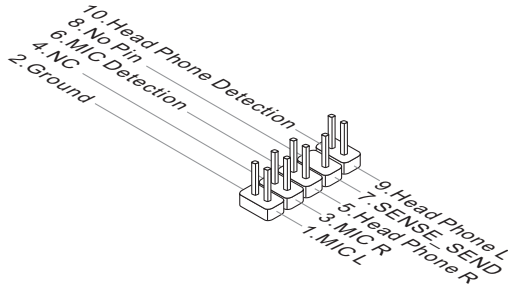
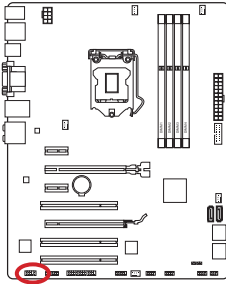
## JCI1: Chassis Intrusion Connector

This connector connects to the chassis intrusion switch cable. If the computer case is opened, the chassis intrusion mechanism will be activated. The system will record this intrusion and a warning message will flash on screen. To clear the warning, you must enter the BIOS utility and clear the record.



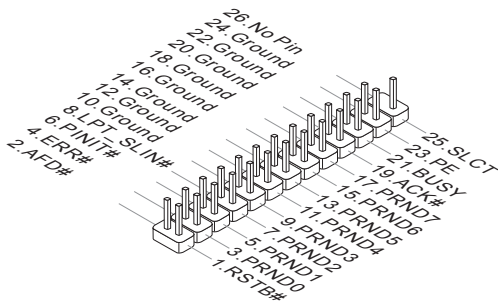
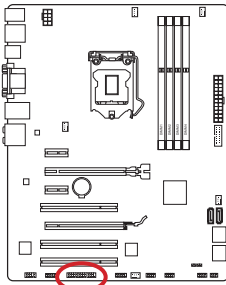
## JAUD1: Front Panel Audio Connector

This connector allows you to connect the front audio panel located on your computer case. This connector is compliant with the Intel® Front Panel I/O Connectivity Design Guide.



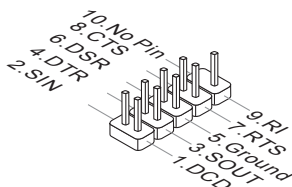
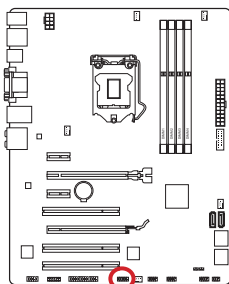
## JLPT1: Parallel Port Connector

This connector is used to connect an optional parallel port bracket. The parallel port is a standard printer port that supports Enhanced Parallel Port (EPP) and Extended Capabilities Parallel Port (ECP) mode.



## JCOM1: Serial Port Connector

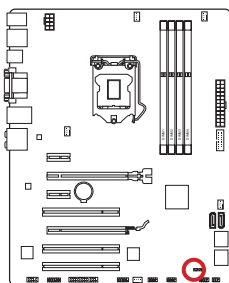
This connector is a 16550A high speed communication port that sends/receives 16 bytes FIFOs. You can attach a serial device.



## Jumper

### JBAT1: Clear CMOS Jumper

There is CMOS RAM onboard that is external powered from a battery located on the motherboard to save system configuration data. With the CMOS RAM, the system can automatically boot into the operating system (OS) every time it is turned on. If you want to clear the system configuration, set the jumpers to clear the CMOS RAM.



Keep Data



Clear Data



You can clear the CMOS RAM by shorting this jumper while the system is off. Afterwards, open the jumper. Do not clear the CMOS RAM while the system is on because it will damage the motherboard.

## Drivers and Utilities

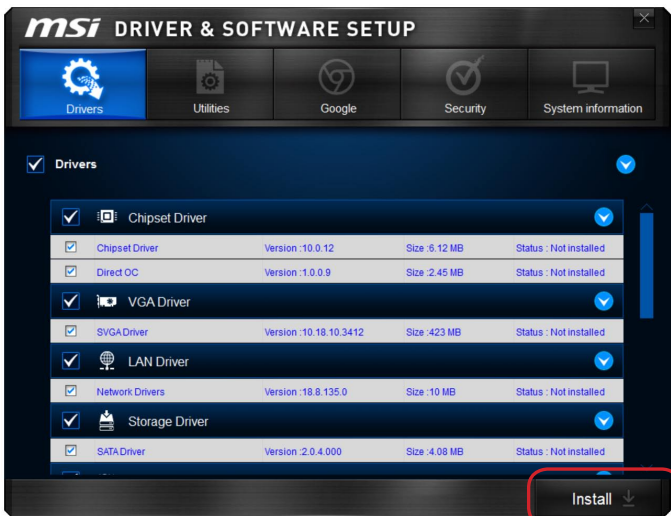
After you install the operating system you will need to install drivers to maximize the performance of the new computer you just built. MSI motherboard comes with a Driver Disc. Drivers allow the computer to utilize your motherboard more efficiently and take advantage of any special features we provide.

You can protect your computer from viruses by installing the bundled security program. The bundle also includes a variety of powerful and creative utilities.

### Driver/ Utilities Installation

Please follow the steps below to install drivers and utilities for your new computer.

1. Insert MSI Driver Disc into the optical drive. The installer will automatically appear if autorun is enabled in OS.
2. The installer will automatically find and list all necessary drivers.
3. Click **Install** button.



Click here

4. The software installation will then be in progress, after it has finished it will prompt you to restart.
5. Click **OK** button to finish.
6. Restart your computer.

You can also use the same method to install the utilities.

# BIOS Setup

CLICK BIOS is developed by MSI that provides a graphical user interface for setting parameters of BIOS by using the mouse and the keyboard.

With the CLICK BIOS, users can change BIOS settings, monitor CPU temperature, select the boot device priority and view system information such as the CPU name, DRAM capacity, the OS version and the BIOS version. Users can import and export parameters data for backup or sharing with friends.

## Entering BIOS Setup

Power on the computer and the system will start the Power On Self Test (POST) process. When the message below appears on the screen, press <DEL> key to enter BIOS:

### Press <Del> to run BIOS setup, or <F11> to run boot menu

If the message disappears before you respond and you still need to enter BIOS, restart the system by turning the computer OFF then back ON or pressing the RESET button. You may also restart the system by simultaneously pressing <Ctrl>, <Alt>, and <Delete> keys.

MSI additionally provides two methods to enter the BIOS setup. You can click the "GO2BIOS" tab on "MSI Fast Boot" utility screen or press the physical "GO2BIOS" button (optional) on the motherboard to enable the system going to BIOS setup directly at next boot.



Click "GO2BIOS" tab on "MSI Fast Boot" utility screen.

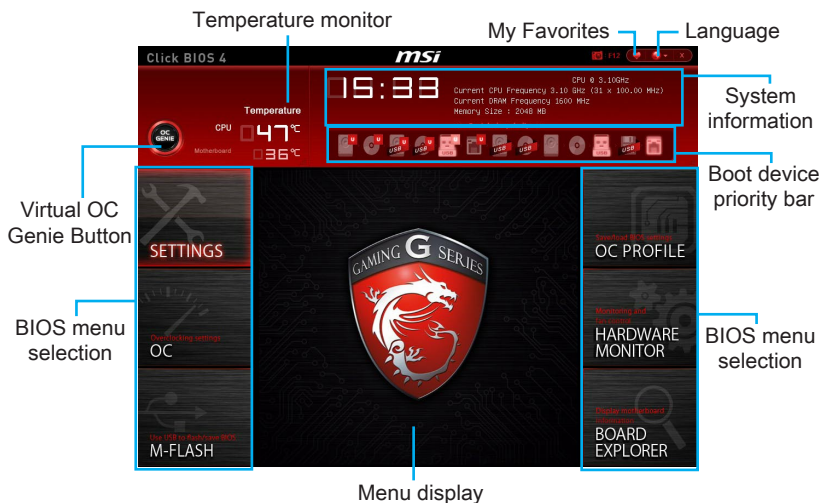


### **Important**

- Please be sure to install the "MSI Fast Boot" utility before using it to enter the BIOS setup.
- The items under each BIOS category described in this chapter are under continuous update for better system performance. Therefore, the description may be slightly different from the latest BIOS and should be held for reference only.

## Overview

After entering BIOS, the following screen is displayed.



### ► BIOS menu selection

The following options are available:

- **SETTINGS** - Uses this menu to specify the parameters for chipset and boot devices.
- **OC** - This menu contains the frequency and voltage adjustments. Increasing the frequency can get better performance, however high frequency and heat can cause instability, we do not recommend general users to overclock.
- **M-FLASH** - This menu provides the way to update BIOS with a USB flash disk.
- **OC PROFILE** - This menu is used to set various overclocking profiles.
- **HARDWARE MONITOR** - This menu is used to set the speeds of fans and monitor voltages of system.
- **BOARD EXPLORER** - It provides the information of the installed devices on the motherboard.

### ▶ Virtual OC Genie Button

Enables or disables the OC Genie function by clicking on this button. When enabled, this button will be light. Enabling OC Genie function can automatically overclock with MSI optimized overclocking profile.



### ***Important***

*We recommend that you do not to make any modification in OC menu mode and do not to load defaults after enabling the OC Genie function.*

### ▶ Menu display

This area provides BIOS setting items and information to be configured.

### ▶ Boot device priority bar

You can move the device icons to change the boot priority.



High priority —————> Low priority

### ▶ System information

Shows the time, date, CPU name, CPU frequency, DRAM frequency, DRAM capacity and the BIOS version.

### ▶ Language

Allows you to select the language of the BIOS setup.

### ▶ Temperature monitor

Shows the temperatures of the processor and the motherboard.


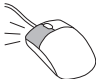

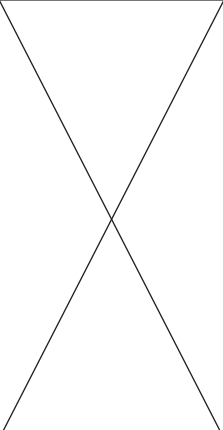
### ▶ My Favorites

Allows you to create your personal BIOS menu where you can save and access your favorite/ frequently-used BIOS setting items.

- **Default HomePage** - Allows you to select a BIOS menu (e.g. Settings, OC...,etc) as the BIOS home page.
- **Favorite1~5** - Allows you to add the frequently-used/ favorite BIOS setting items in one page.

## Operation

You can control BIOS settings with the mouse and the keyboard. The following table lists and describes the hot keys and the mouse operations.

Hot key	Mouse	Description
<↑↓→←>	 Move the cursor	Select Item
<Enter>	 Click/ Double-click the left button	Select Icon/ Field
<Esc>	 Click the right button	Jump to the Exit menu or return to the previous from a submenu
<+>		Increase the numeric value or make changes
<->		Decrease the numeric value or make changes
<F1>		General Help
<F2>		Favorites assistant
<F3>		Enter My Favorites menu
<F4>		CPU Specifications
<F5>		Enter Memory-Z
<F6>		Load optimized defaults
<F8>		Load Overclocking Profile
<F9>		Save Overclocking Profile
<F10>		Save Change and Reset
<F12>		Save a screenshot to a FAT/FAT32 USB drive

## OC Menu

This menu is for advanced users who want to overclock the mainboard.



- Overclocking your PC manually is only recommended for advanced users.
- Overclocking is not guaranteed, and if done improperly, can void your warranty or severely damage your hardware.
- If you are unfamiliar with overclocking, we advise you to use OC Genie for easy overclocking.

### ▶ Simple/Advanced Mode [Simple]

Enables or disables the advanced OC settings in BIOS.

[Simple] Provides the regular OC settings in BIOS setup.

[Advanced] Provides the advanced OC settings for experienced users to configure in BIOS setup.

Note: We use \* as the symbol for the following OC settings of Advanced mode.

### < CPU Setting >

#### ▶ Adjust CPU Ratio [Auto]

Sets the CPU ratio that is used to determine CPU clock speed. This item can only be changed if the processor supports this function.

#### ▶ Adjusted CPU Frequency

Shows the adjusted CPU frequency. Read-only.

#### ▶ Adjust Ring Ratio [Auto]

Sets the ring ratio. The valid value range depends on the installed CPU.

#### ▶ Adjusted Ring Frequency

Shows the adjusted Ring frequency. Read-only.

#### ▶ Adjust GT Ratio [Auto]

Sets the integrated graphics ratio. The valid value range depends on the installed CPU.

▶ **Adjusted GT Frequency**

Shows the adjusted integrated graphics frequency. Read-only.

< **CPU BCLK Setting** >

▶ **CPU Base Clock (MHz) [Default]**

Sets the CPU Base clock. You may overclock the CPU by adjusting this value. Please note that overclocking behavior and stability is not guaranteed. This item appears when the installed processor supports this function.

< **DRAM Setting** >

▶ **DRAM Reference Clock [Auto]\***

Sets the DRAM reference clock. The valid value range depends on the installed CPU. This item appears when a CPU that supports this adjustment is installed.

▶ **DRAM Frequency [Auto]**

Sets the DRAM frequency. Please note the overclocking behavior is not guaranteed.

▶ **Adjusted DRAM Frequency**

Shows the adjusted DRAM frequency. Read-only.

▶ **DRAM Timing Mode [Auto]**

Selects the memory timing mode.

[Auto]            DRAM timings will be determined based on SPD (Serial Presence Detect) of installed memory modules.

[Link]            Allows user to configure the DRAM timing manually for all memory channel.

[UnLink]        Allows user to configure the DRAM timing manually for respective memory channel.

▶ **Advanced DRAM Configuration**

Press <Enter> to enter the sub-menu. This sub-menu will be activated after setting [Link] or [Unlink] in "DRAM Timing Mode". User can set the memory timing for each memory channel. The system may become unstable or unbootable after changing memory timing. If it occurs, please clear the CMOS data and restore the default settings. (Refer to the Clear CMOS jumper/ button section to clear the CMOS data, and enter the BIOS to load the default settings.)

▶ **Memory Fast Boot [Auto]**

Enables or disables the initiation and training for memory every booting.

[Auto]            This setting will be configured automatically by BIOS.

[Enabled]        Memory will completely imitate the archive of first initiation and first training. After that, the memory will not be initialed and trained when booting to accelerate the system booting time.

[Disabled]       The memory will be initialed and trained every booting.

< **Voltage Setting** >

▶ **DigitALL Power**

Press <Enter> to enter the sub-menu. Controls the digital powers related to CPU PWM.

**► VR 12VIN OCP Expander [Auto]**

Expands the limitation of VR Over Current Protection with 12V input voltage. The higher expanding value indicates less protection. Therefore, please adjust the current carefully if needed, or it may damage the CPU/ VR MOS. If set to "Auto", BIOS will configure this setting automatically.

**► CPU Phase Control [Auto]**

Controls PWM phase proportionally to the CPU loading. If set to "Auto", BIOS will optimize the CPU PWM phase automatically.

[Auto] This setting will be configured automatically by BIOS.

[Normal] Sets the normal power phase profile for CPU, it could provide a stable system performance and effective power-saving capability.

[Optimized] Sets the optimum power phase profile for CPU, it could provide the system with an optimum power-saving capability.

[Disabled] Disables the PWM power phase switching feature.

**► CPU Vdroop Offset Control [Auto]**

Sets a percentage of offset voltage for CPU vdroop. If set to "Auto", BIOS will configure this setting automatically.

**► CPU Over Voltage Protection [Auto]**

Sets the voltage limit for CPU over-voltage protection. If set to "Auto", BIOS will configure this setting automatically. Higher voltage provides less protection and may damage the system.

**► CPU Under Voltage Protection [Auto]**

Sets the voltage limit for CPU under-voltage protection. If set to "Auto", BIOS will configure this setting automatically. Higher voltage provides less protection and may damage the system.

**► CPU Over Current Protection [Auto]**

Sets the current limit for CPU over-current protection. If set to "Auto", BIOS will configure this setting automatically. Higher voltage provides less protection and may damage the system.

**► Phase Over Current Protection [Enabled]**

Enables or disables the phase over-current protection.

[Enabled] Sets the current limit on the phase for over-current protection.

[Disabled] Disables this function.

**► CPU Switching Frequency [Auto]**

Sets the PWM working speed to stabilize CPU Core voltage and minimize ripple range. Increasing the PWM working speed will cause higher temperature of MOSFET. So please make sure a cooling solution is well-prepared for MOSFET before you increase the value. If set to "Auto", BIOS will configure this setting automatically.

**► CPU VRM Over Temperature Protection [Enabled]**

Enables or disables the CPU VRM over-temperature protection.

[Enabled] Sets the temperature limit on CPU VRM for over-temperature protection. The CPU frequency may be throttled when CPU VRM over the specified temperature.

[Disabled] Disables this function.

▶ **CPU VRM Over Temperature Shutdown [Enabled]**

Sets the system whether be powered off or not when the CPU VRM temperature over the limitation temperature of CPU VRM protection.

[Enabled] The system will be off when over the specified temperature.

[Disabled] Disables this function.

▶ **Digital Compensation Level [Auto]**

Sets the current compensation level for CPU PWM when the MOS phases are changed. If set to "Auto", BIOS will configure this setting automatically. Higher compensation level provides more overclocking ability.

▶ **Imon Overwrite [Auto]**

Sets the Imon current for CPU.

[Auto] This setting will be configured automatically by BIOS.

[Quarter] Sets the Imon current into quarter.

[Half] Sets the Imon current into half.

[Disabled] Sets the default values for Imon current.

▶ **Transient Boost [Disabled]**

Enables or disables the transient boost.

[Enabled] Enables this function may lead into a stable system under heavy loading.

[Disabled] Disables this function.

▶ **SVID Communication [Auto]\***

Enables or disables SVID (Serial Voltage Identification) support.

[Auto] This setting will be configured automatically by BIOS.

[Enabled] PWM phase will be changed dynamically according to the CPU SVID (Serial Voltage Identification).

[Disabled] Disables SVID (Serial Voltage Identification) support.

▶ **VCCIN Voltage [Auto]**

Sets the CPU input voltage. The CPU input voltage is the CPU power source that is shared with components of the CPU.

▶ **CPU Core Voltage/ CPU Ring Voltage/ CPU GT Voltage [Auto]**

Sets the CPU Core/ Ring/ GT voltages. If set to "Auto", BIOS will set these voltages automatically or you can set it manually.

▶ **CPU SA Voltage/ CPU IO Analog Voltage/ CPU IO Digital Voltage [Auto]**

Sets the CPU SA/ IO Analog/ IO Digital voltages. If set to "Auto", BIOS will set these voltages automatically or you can set it manually.

▶ **XXX Voltage [Auto]\* (optional)**

Sets the voltages related to memory/ PCH. If set to "Auto", BIOS will set the voltage automatically or you can set it manually.

< **Other Setting** >

▶ **CPU Specifications**

Press <Enter> to enter the sub-menu. This sub-menu displays the information of installed CPU. You can also access this information menu at any time by pressing [F4]. Read only.

### ► CPU Technology Support

Press <Enter> to enter the sub-menu. The sub-menu shows what the key features does the installed CPU support. Read only.

### ► MEMORY-Z

Press <Enter> to enter the sub-menu. This sub-menu displays all the settings and timings of installed memory. You can also access this information menu at any time by pressing [F5].

#### ► DIMM1~4 Memory SPD

Press <Enter> to enter the sub-menu. The sub-menu displays the information of installed memory. Read only.

### ► CPU Features

Press <Enter> to enter the sub-menu.

#### ► Hyper-Threading Technology [Enabled]

The processor uses Hyper-Threading technology to increase transaction rates and reduces end-user response times. Intel Hyper-Threading technology treats the multi cores inside the processor as multi logical processors that can execute instructions simultaneously. In this way, the system performance is highly improved.

[Enabled] Enables Intel Hyper-Threading technology.

[Disabled] Disables this item if the system does not support HT function.

#### ► Active Processor Cores [All]

This item allows you to select the number of active processor cores.

#### ► Limit CPUID Maximum [Disabled]

Enables or disables the extended CPUID value.

[Enabled] BIOS will limit the maximum CPUID input value to circumvent boot problems with older operating system that do not support the processor with extended CPUID value.

[Disabled] Use the actual maximum CPUID input value.

#### ► Execute Disable Bit [Enabled]

Intel's Execute Disable Bit functionality can prevent certain classes of malicious "buffer overflow" attacks where worms attempt to execute code to damage the system. It is recommended that keeps this item enabled always.

[Enabled] Enables NO-Execution protection to prevent the malicious attacks and worms.

[Disabled] Disables this function.

#### ► Intel Virtualization Tech [Enabled]

Enables or disables Intel Virtualization technology.

[Enabled] Enables Intel Virtualization technology and allows a platform to run multiple operating systems in independent partitions. The system can function as multiple systems virtually.

[Disabled] Disables this function.

**► Hardware Prefetcher [Enabled]**

Enables or disables the hardware prefetcher (MLC Streamer prefetcher).

[Enabled] Allows the hardware prefetcher to automatically pre-fetch data and instructions into L2 cache from memory for tuning the CPU performance.

[Disabled] Disables the hardware prefetcher.

**► Adjacent Cache Line Prefetch [Enabled]**

Enables or disables the CPU hardware prefetcher (MLC Spatial prefetcher).

[Enabled] Enables adjacent cache line prefetching for reducing the cache latency time and tuning the performance to the specific application.

[Disabled] Enables the requested cache line only.

**► CPU AES Instructions [Enabled]**

Enables or disables the CPU AES (Advanced Encryption Standard-New Instructions) support. This item appears when a CPU supports this function.

[Enabled] Enables Intel AES support.

[Disabled] Disables Intel AES support.

**► Intel Adaptive Thermal Monitor [Enabled]**

Enables or disables the Intel adaptive thermal monitor function to protect the CPU from overheating.

[Enabled] Throttles down the CPU core clock speed when the CPU is over the adaptive temperature.

[Disabled] Disables this function.

**► Intel C-State [Auto]**

C-state is a processor power management technology defined by ACPI.

[Auto] This setting will be configured automatically by BIOS.

[Enabled] Detects the idle state of system and reduce CPU power consumption accordingly.

[Disabled] Disable this function.

**► C1E Support [Disabled]**

Enables or disables the C1E function for power-saving in halt state. This item appears when "Intel C-State" is enabled.

[Enabled] Enables C1E function to reduce the CPU frequency and voltage for power-saving in halt state.

[Disabled] Disables this function.

**► Package C State limit [Auto]**

This item allows you to select a CPU C-state mode for power-saving when system is idle. This item appears when "Intel C-State" is enabled.

[Auto] This setting will be configured automatically by BIOS.

[C0~C7s] The power-saving level from high to low is C7s, C7, C6, C3, C2, then C0.

► **Lake Tiny Feature [Disabled]**

Enables or disables Intel Lake Tiny feature with iRST for SSD. This item appears when a installed CPU supports this function and "Intel C-State" is enabled.

[Enabled] Enhance the dynamic IO load adjusted performance for accelerating the SSD speed.

[Disabled] Disables this feature.

► **EIST [Enabled]**

Enables or disables the Enhanced Intel® SpeedStep Technology. This item will appear when "Simple/ Advanced Mode" is set to [Simple].

[Enabled] Enables the EIST to adjust CPU voltage and core frequency dynamically. It can decrease average power consumption and average heat production.

[Disabled] Disables EIST.

► **Intel Turbo Boost [Enabled]**

Enables or disables the Intel® Turbo Boost. This item is for Simple mode and appears when the installed CPU supports this function.

[Enabled] Enables this function to boost CPU performance automatically above rated specifications when system request the highest performance state.

[Disabled] Disables this function.

► **Long Duration Power Limit (W) [Auto]**

Sets the long duration TDP power limit for CPU in Turbo Boost mode.

► **Long Duration Maintained (s) [Auto]**

Sets the maintaining time for "Long duration power Limit(W)".

► **Short Duration Power Limit (W) [Auto]**

Sets the short duration TDP power limit for CPU in Turbo Boost mode.

► **CPU Current limit (A) [Auto]**

Sets maximum current limit of CPU package in Turbo Boost mode. When the current is over the specified limit value, the CPU will automatically reduce the core frequency for reducing the current.

► **Internal VR OVP OCP Protection [Auto]**

Enables or disables the over-voltage protection and over-current protection for CPU internal VR (Voltage Regulator).

[Auto] This setting will be configured automatically by BIOS.

[Enabled] Sets the voltage limit on the CPU internal VR for over-voltage protection and over-current protection.

[Disabled] Disables this function for overclocking.

► **Internal VR Efficiency Management [Auto]**

Enables or disables the CPU internal VR efficiency management.

[Auto] This setting will be configured automatically by BIOS.

[Enabled] Enables the VR efficiency management for power-saving control.

[Disabled] Disables this function.

# Deutsch

Danke, dass Sie das Z97-G43 GAMING (MS-7816 v2.X) ATX Motherboard gewählt haben. Dieses Z97-G43 GAMING Motherboard basiert auf dem Intel® Z97 Chipsatz und ermöglicht so ein optimales und effizientes System. Entworfen, um den hochentwickeltesten Intel® LGA1150 Prozessor zu unterstützen, stellt die Z97-G43 GAMING Motherboard die ideale Lösung zum Aufbau eines professionellen Hochleistungsdesktopsystems dar.

# Spezifikationen

<b>Prozessor</b>	<ul style="list-style-type: none"> <li>■ Die Intel® Core™ Prozessoren der 4. und 5. Generation und Intel® Pentium® und Celeron® Prozessoren für LGA 1150 Sockel</li> </ul>
<b>Chipsatz</b>	<ul style="list-style-type: none"> <li>■ Intel® Z97 Express Chipsatz</li> </ul>
<b>Speicher</b>	<ul style="list-style-type: none"> <li>■ 4x DDR3 Speicherplätze unterstützen bis zu 32GB</li> <li>■ Unterstützt DDR3 3000(OC)/ 2800(OC)/ 2666(OC)/ 2600(OC)/ 2400(OC)/ 2200(OC)/ 2133(OC)/ 2000(OC)/ 1866(OC)/ 1600/ 1333/ 1066 MHz</li> <li>■ Dual-Kanal-Speicherarchitektur</li> <li>■ Unterstützt ungepufferte Non-ECC-Speicher</li> <li>■ Unterstützt Intel® Extreme Memory Profile (XMP)</li> </ul>
<b>Erweiterungsanschlüsse</b>	<ul style="list-style-type: none"> <li>■ 1x PCIe 3.0 x16-Steckplatz, unterstützt bis zu PCIe 3.0 x16-Geschwindigkeit</li> <li>■ 1x PCIe 2.0 x16-Steckplatz, unterstützt bis zu PCIe 2.0 x4-Geschwindigkeit</li> <li>■ 2x PCIe 2.0 x1-Steckplätze</li> <li>■ 3x PCI-Steckplätze</li> </ul>
<b>Onboard-Grafik</b>	<ul style="list-style-type: none"> <li>■ 1x VGA Anschluss, unterstützt eine maximale Auflösung von 1920x1200 @ 60Hz</li> <li>■ 1x HDMI® Anschluss, unterstützt eine maximale Auflösung von 4096x2160@24Hz, 24bpp/ 2560x1600@60Hz, 24bpp/ 1920x1080@60Hz, 36bpp</li> <li>■ 1x DVI-D Anschluss, unterstützt eine maximale Auflösung von 1920x1200 @ 60Hz</li> </ul>
<b>Multi-GPU</b>	<ul style="list-style-type: none"> <li>■ Unterstützung von zwei Grafikkarten mittels AMD CrossFire™ Technologie*</li> </ul> <p>* Unterstützt Windows 7 und Windows 8/ 8.1</p>
<b>Aufbewahrung</b>	<ul style="list-style-type: none"> <li>■ Intel® Z97 Express Chipsatz               <ul style="list-style-type: none"> <li>- 6x SATA 6Gb/s Anschlüsse (SATA1~6)</li> <li>- Unterstützt RAID 0, RAID1, RAID 5 und RAID 10</li> <li>- Unterstützt die Intel® Smart Response Technologie, Intel® Rapid Start Technologie und Intel® Smart Connect Technologie*</li> </ul> </li> </ul> <p>* Unterstützt die Intel Core processors auf Windows 7 und Windows 8/ 8.1</p>
<b>Audio</b>	<ul style="list-style-type: none"> <li>■ Realtek® ALC1150 Codec               <ul style="list-style-type: none"> <li>- 7,1-Kanal-HD-Audio</li> </ul> </li> </ul>
<b>USB</b>	<ul style="list-style-type: none"> <li>■ Intel Z97 Express Chipsatz               <ul style="list-style-type: none"> <li>- 4x USB 3.0 Anschlüsse (2 Anschlüsse an der rückseitigen Anschlussleiste, 2 Anschlüsse stehen durch die internen USB 3.0 Anschlüsse zur Verfügung)</li> <li>- 10x USB 2.0 Anschlüsse (6 Anschlüsse an der rückseitigen Anschlussleiste, 4 Anschlüsse stehen durch die internen USB 2.0 Anschlüsse zur Verfügung)</li> </ul> </li> </ul>
<b>LAN</b>	<ul style="list-style-type: none"> <li>■ 1x Killer E2205 Gigabit LAN Controller</li> </ul> <p>* Der Killer Network Manager ist derzeit nur für Windows 7 und Windows 8/ 8.1 erhältlich. Die unterstützten Treiber für andere Betriebssysteme würden auf der Website zur Verfügung stehen, wenn vom Lieferanten zur Verfügung gestellt.</p>

<b>Hintere Ein-/ und Ausgänge</b>	<ul style="list-style-type: none"> <li>■ PS/2 Tastatur-/Maus-Combo-Anschluss x1</li> <li>■ USB 2.0 Anschlüsse x6</li> <li>■ HDMI Anschluss x1</li> <li>■ VGA Anschluss x1</li> <li>■ DVI-D Anschluss x1</li> <li>■ LAN (RJ45) Anschluss x1</li> <li>■ USB 3.0 Anschlüsse x2</li> <li>■ OFC Audiobuchsen x6</li> </ul>
<b>Interne Anschlüsse</b>	<ul style="list-style-type: none"> <li>■ ATX 24-poliger Stromanschluss x1</li> <li>■ ATX12V 8-poliger Stromanschluss x1</li> <li>■ SATA Anschlüsse x6</li> <li>■ USB 2.0 Anschlüsse x2 (unterstützt zusätzliche 4 USB 2.0-Ports)</li> <li>■ USB 3.0 Anschluss x1 (unterstützt zusätzliche 2 USB 3.0-Ports)</li> <li>■ 4-poliger CPU-Lüfter-Anschlüsse x2</li> <li>■ 4-poliger System-Lüfter-Anschlüsse x3</li> <li>■ Steckbrücke zur CMOS-Löschung x1</li> <li>■ Audioanschluss des Frontpanels x1</li> <li>■ Systemtafelanschlüsse x2</li> <li>■ TPM Anschluss x1</li> <li>■ Serielle Anschluss x1</li> <li>■ Parallele Stiflleiste x1</li> <li>■ Gehäusekontaktschalter x1</li> </ul>
<b>E/A Anschluss</b>	<ul style="list-style-type: none"> <li>■ NUVOTON NCT6779 Controller Chip</li> </ul>
<b>Hardware Monitor</b>	<ul style="list-style-type: none"> <li>■ CPU/System Temperaturerfassung</li> <li>■ CPU/System Geschwindigkeitserfassung</li> <li>■ CPU/System Lüfterdrehzahlregelung</li> </ul>
<b>BIOS Funktionen</b>	<ul style="list-style-type: none"> <li>■ 64 Mb Flash</li> <li>■ UEFI AMI BIOS</li> <li>■ ACPI 5.0, PnP 1.0a, SM BIOS 2.7, DMI 2.0</li> <li>■ Mehrsprachigenunterstützung</li> </ul>
<b>Besonder- heiten</b>	<ul style="list-style-type: none"> <li>■ Military Class 4</li> <li>■ OC Genie 4</li> <li>■ CLICK BIOS 4</li> <li>■ All Solid CAPs</li> <li>■ AMD CrossFire</li> <li>■ PCI Express Gen 3</li> <li>■ Sound Blaster Cinema</li> <li>■ SMART-Funktion</li> <li>■ USB 3.0</li> <li>■ SATA 6Gb/s</li> <li>■ Kommandozentrale</li> <li>■ Live Update</li> <li>■ M-Flash</li> </ul>

<b>Software</b>	<ul style="list-style-type: none"> <li>■ Treiber</li> <li>■ MSI <ul style="list-style-type: none"> <li>- Kommandozentrale</li> <li>- Super Charger</li> <li>- SMART-Funktion</li> <li>- Live Update 6</li> <li>- Fast Boot</li> </ul> </li> <li>■ 7-ZIP</li> <li>■ Intel Extreme Tuning Utility</li> <li>■ Sound Blaster Cinema</li> <li>■ Norton Internet Security Solution</li> <li>■ Killer Network Manager</li> </ul>
<b>Form Faktor</b>	<ul style="list-style-type: none"> <li>■ ATX Form Faktor</li> <li>■ 12,0 Zoll x 9,6 Zoll (30,5 cm x 24,4 cm)</li> </ul>

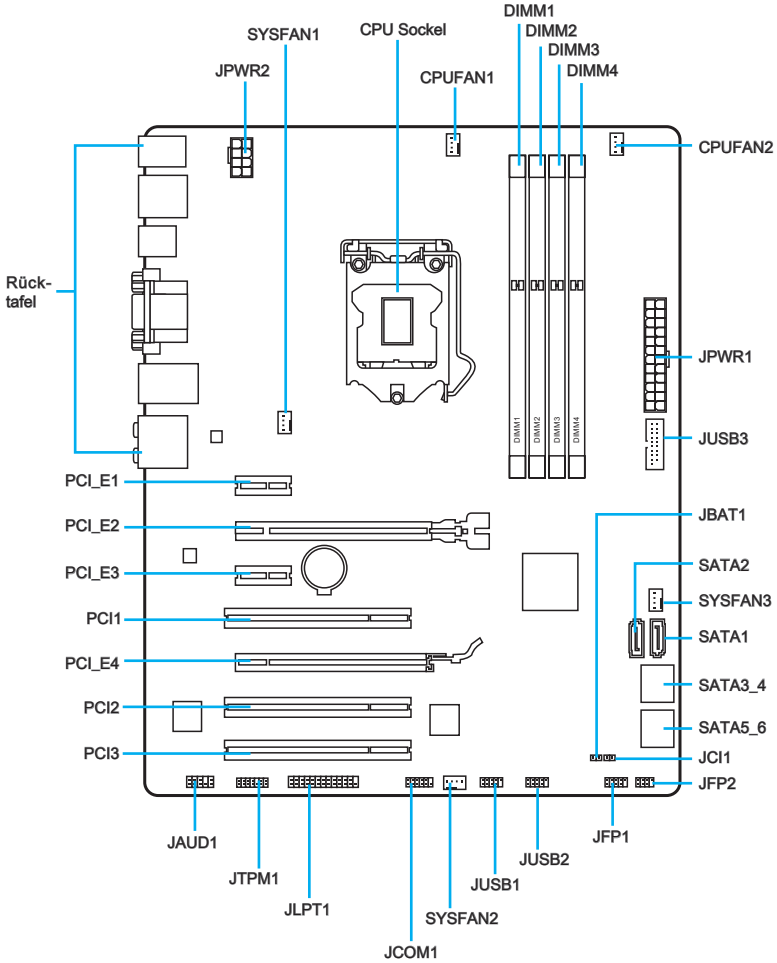


Weitere CPU Informationen finden Sie unter  
<http://www.msi.com/cpu-support/>



Die neusten Informationen über kompatible Bauteile finden Sie  
unter <http://www.msi.com/test-report/>

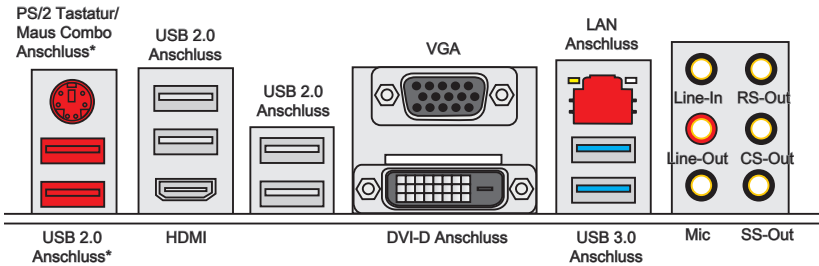
# Anschlussübersicht



## Übersicht der Motherboard-Anschlüsse

Port-Name	Port-Typ	Seite
Rücktafel	E/A Anschlüsse	De-7
CPU Sockel	LGA1150 CPU Sockel	De-10
CPUFAN1~2,SYSFAN1~3	Stromanschlüsse für Lüfter	De-19
DIMM1~4	DDR3 Speichersteckplätze	De-13
JAUD1	Audioanschluss des Frontpanels	De-23
JBAT1	Steckbrücke zur CMOS-Löschung	De-24
JCI1	Gehäusekontaktanschluss	De-22
JCOM1	Serieller Anschluss	De-24
JFP1, JFP2	Systemtafelanschlüsse	De-20
JLPT1	Parallele Schnittstelle	De-23
JPWR1~2	ATX Stromanschlüsse	De-15
JTPM1	TPM Anschluss	De-22
JUSB1~2	USB 2.0 Erweiterungsanschlüsse	De-21
JUSB3	USB 3.0 Erweiterungsanschluss	De-21
PCI_E1~E4	PCIe Erweiterungssteckplätze	De-16
PCI1~3	PCI Erweiterungssteckplätze	De-16
SATA1~6	SATA Anschlüsse	De-18

# Rücktafel-Übersicht



\* Spiele-Gerät-Port.

## ► PS/2 Tastatur/Maus Combo Anschluss

Die Standard PS/2® Maus/Tastatur Stecker DIN ist für eine PS/2® Maus/Tastatur.

## ► VGA Anschluss

Die DB 15-Pin Buchse dient zum Anschluss eines VGA Monitors.

## ► DVI-D Anschluss

Der DVI-D (Digital Visual Interface- Digital) Anschluss erlaubt Ihnen, einen LCD- oder CRT-Monitor anzuschließen. Um einen Monitor anzuschließen, können Sie weitere Informationen dem Handbuch Ihres Monitors entnehmen.



## ► HDMI Anschluss HIGH-DEFINITION MULTIMEDIA INTERFACE

Das High-Definition Multimedia Interface (kurz HDMI) ist eine Schnittstelle für die voll-digitale Übertragung von dekomprimierten Audio- und Video-Daten. Dieser HDMI unterstützt alle Formate für Fernsehen, einschließlich Standard- und Enhanced- oder HD-Video sowie das Audioformate der Unterhaltungselektronik.



## Wichtig

Diese Plattform unterstützt die Ausgabe über 2- oder 3 Displays.

	VGA+DVI-D	DVI-D+HDMI	HDMI+VGA	HDMI+VGA+DVI-D
Erweiterter-Modus (Erweiterung des Desktops den anderen Monitor)	○	○	○	○
Clone-Modus (Monitore zeigen das gleiche Bild)	○	○	○	○

## ► USB 2.0 Anschluss

Der USB 2.0 Anschluss dient zum direkten Anschluss von USB 2.0-Geräten, wie etwa Tastatur, Maus oder weiterer USB 2.0-kompatibler Geräte.

### ► USB 3.0 Anschluss

Der USB 3.0 Anschluss ist abwärtskompatibel mit USB 2.0-Geräten. Er unterstützt Datentransferraten bis zu 5 Gbit/s (SuperSpeed).



### **Wichtig**

Um ein USB 3.0 einzusetzen, schließen Sie es bitte mit einem USB 3.0 kompatiblen Kabel an einen USB 3.0 Anschluss an.

### ► LAN Port

Die Standard RJ-45 Buchse dient zur Verbindung in einem lokalen Netzwerk (LAN).

	LED	LED Status	Bezeichnung
	Link/ Activity LED (Verbindung/ Aktivität LED)	Aus	Keine Verbindung
		Gelb	Verbindung
		Blinkt	Datenaktivität
	Speed LED (Geschwindigkeit LED)	Aus	10 Mbps-Verbindung
		Grün	100 Mbps-Verbindung
Orange		1 Gbps-Verbindung	

### ► Audioanschlüsse

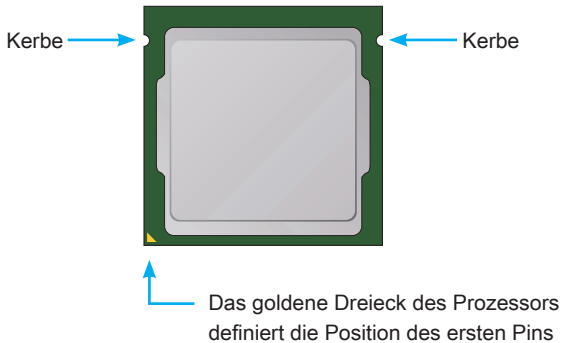
Diese Audioanschlüsse dienen zur Verbindung mit Audiogeräten.

- Line-In : Der Anschluss "Line In" kann externe Audioausgabegeräte aufnehmen.
- Line-Out : An den Anschluss "Line Out" können Sie Lautsprecher oder Kopfhörer anschließen.
- Mikrofon : Der Anschluss "Mic" nimmt ein Mikrofon auf.
- RS-Out : Dieser Anschluss nimmt die hinteren Surround-Lautsprecher im 4/5,1/7,1-Kanalmodus auf.
- CS-Out : Dieser Anschluss nimmt die mittleren oder Subwoofer-Lautsprecher im 5,1/7,1-Kanalmodus auf.
- SS-Out : Dieser Anschluss nimmt die seitlichen Surround-Lautsprecher im 7,1-Kanalmodus auf.

## CPU (Prozessor)

### Erklärung zur LGA 1150 CPU

Die Oberseite der LGA 1150 CPU hat zwei Justierungen und ein gelbes Dreieck um die korrekte Ausrichtung der CPU auf dem Motherboard zu gewährleisten. Das gelbe Dreieck des Prozessors definiert die Position des ersten Pins.



### **Wichtig**

#### **Überhitzung**

Überhitzung beschädigt die CPU und das System nachhaltig. Stellen Sie stets eine korrekte Funktionsweise des CPU Kühlers sicher, um die CPU vor Überhitzung zu schützen. Überprüfen Sie eine gleichmäßige Schicht der thermischen Paste (oder thermischen Klebandes) zwischen der CPU und dem Kühlblech anwenden, um Wärmeableitung zu erhöhen.

#### **CPU Wechsel**

Stellen Sie vor einem Wechsel des Prozessors stets sicher, dass das Netzteil ausgeschaltet und der Netzstecker gezogen ist, um die Unversehrtheit der CPU zu gewährleisten.

#### **Übertakten**

Dieses Motherboard wurde so entworfen, dass es Übertakten unterstützt. Stellen Sie jedoch bitte sicher, dass die betroffenen Komponenten mit den abweichenden Einstellungen während des Übertaktens zurecht kommen. Von jedem Versuch des Betriebes außerhalb der Produktspezifikationen kann nur abgeraten werden. Wir übernehmen keinerlei Garantie für die Schäden und Risiken, die aus einem unzulässigem Betrieb oder einem Betrieb außerhalb der Produktspezifikation resultieren.

## CPU & Kühlkörper Einbau

Wenn Sie die CPU einbauen, denken sie bitte daran einen CPU-Kühler zu installieren. Ein CPU-Kühlkörper ist notwendig, um eine Überhitzung zu vermeiden und die Systemstabilität beizubehalten. Befolgen Sie die nachstehenden Schritte, um die richtige CPU und CPU-Kühlkörper Installation zu gewährleisten. Ein fehlerhafter Einbau führt zu Schäden an der CPU und dem Motherboard.



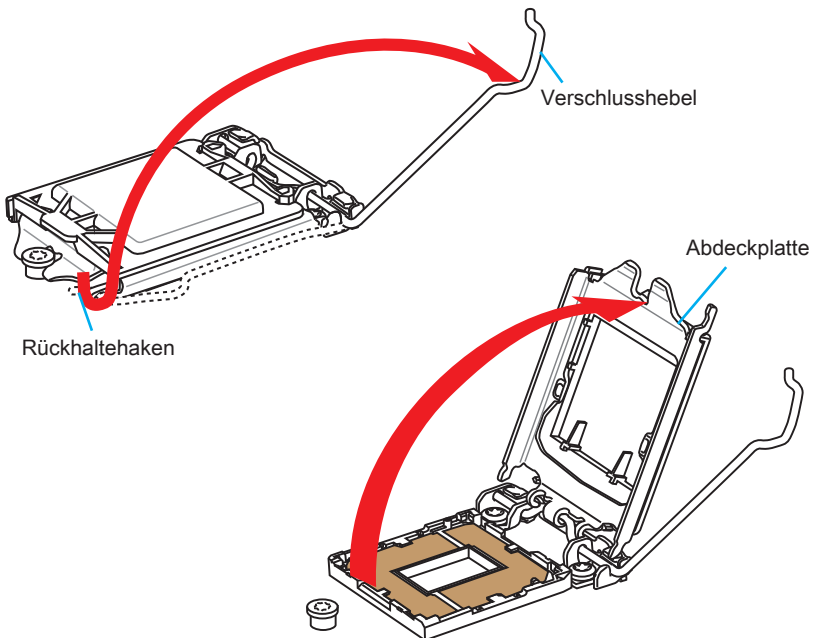
### Video-Demonstration

Anhand dieses Video an untenstehender Adresse erfahren Sie, wie Sie CPU & Kühlkörper installieren.

<http://youtu.be/bf5La099url>



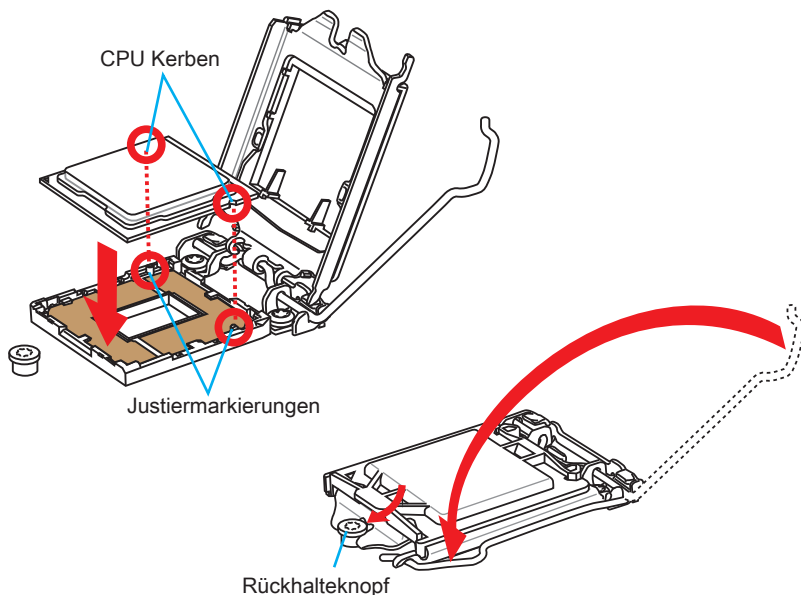
1. Drücken Sie den Verschlusshebel nach unten zum Öffnen des Hebels und öffnen Sie anschließend die Abdeckplatte.
2. Die Abdeckplatte sollte nach vollständigem zurückklappen des Verschlusshebels mit nach hinten klappen.



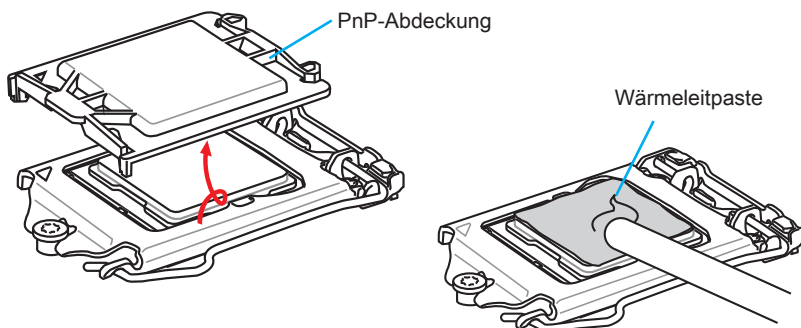
### Wichtig

Berühren Sie die Sockelkontakte oder die Unterseite der CPU nicht.

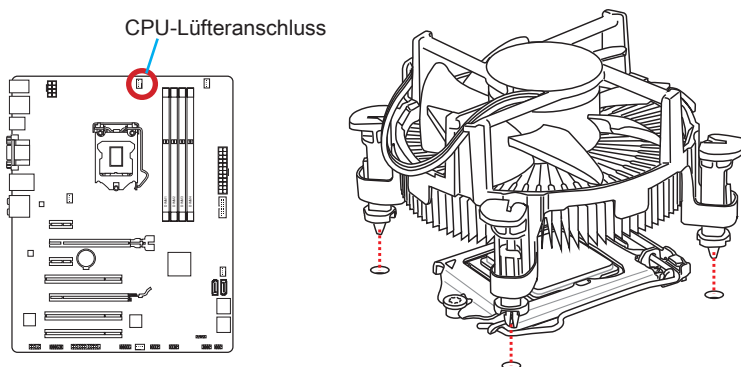
- Positionieren Sie die Kerben mit die Justiermarkierungen des Sockels. Setzen Sie die CPU nach unten, ohne Kippen oder Schieben der CPU im Sockel. Begutachten Sie, ob die CPU richtig im Sockel sitzt.
- Schließen Sie und schieben Sie die Abdeckplatte unter dem Rückhalteknopf. Verschließen Sie den Verschlusshebel.



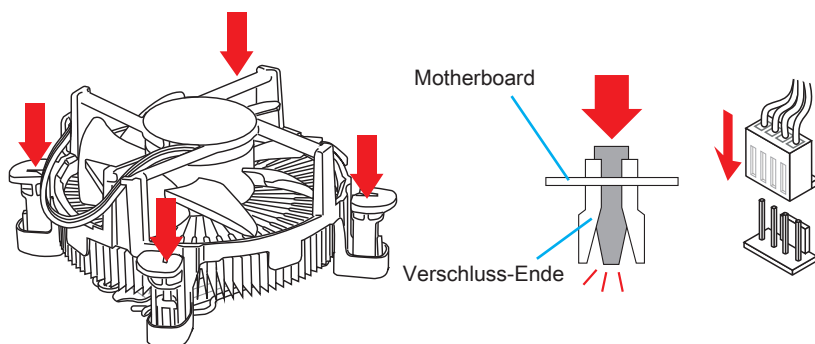
- Wenn Sie den Verschlusshebel herunterdrücken, wird die PnP-Abdeckung aus dem CPU-Sockel automatisch getrennt. Bitte bewahren Sie die PnP-Abdeckung. Setzen Sie bitte immer die PnP-Abdeckung ein, wenn die CPU aus dem Sockel entfernt wird.
- Verteilen Sie die dann eine geeignete Wärmeleitpaste oder ein Wärmeleitpad auf der Oberseite der eingesetzten CPU. Dies verbessert die Wärmeableitung maßgeblich und verhindert damit die Überhitzung des Prozessors.



7. Machen Sie den CPU-Lüfteranschluss auf dem Motherboard ausfindig.
8. Setzen Sie den Kühlkörper auf die CPU und beachten Sie die Übereinstimmung der Lüfterverankerungen mit den dafür vorgesehenen Löchern auf der Motherboard-Platine.



9. Drücken Sie nach der korrekten Positionierung des Kühlkörpers die Arretierungsstifte mit leichtem Druck nach unten bis sie einrasten. Das Einrasten sollte mit einem Klick hörbar sein.
10. Überprüfen Sie das Motherboard um sicherzustellen, dass der Kühler korrekt installiert ist.
11. Schließlich verbinden Sie das Stromkabel des CPU Lüfters mit dem Anschluss auf dem Motherboard.

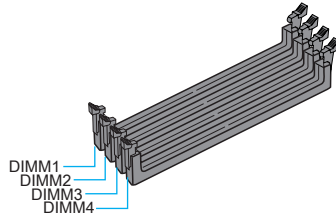
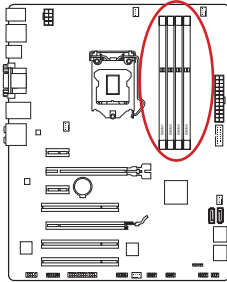


### **Wichtig**

- Stellen Sie sicher, dass Ihr Kühlkörper eine feste Verbindung mit der CPU hergestellt hat, bevor Sie Ihr System starten.
- Wenn keine CPU installiert ist, schützen Sie immer den CPU-Sockel durch die Plastikabdeckung.
- Wenn Sie eigene CPU und den Kühlkörper/ Kühler gekauft haben, beziehen Sie sich bitte auf die Unterlagen des Kühlers für mehr Details über die Kühlerinstallation.

# Speicher

Die DIMM-Steckplätze nehmen Arbeitsspeichermodule auf.



## Video-Demonstration

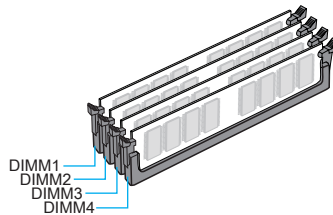
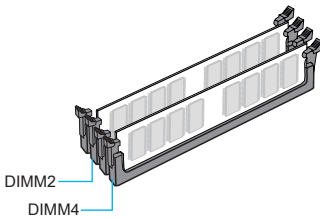
Anhand dieses Video an untenstehender Adresse erfahren Sie, wie Sie die Speichermodule installieren.

<http://youtu.be/76yLtJaKICQ>



## Populationsregeln für Dual-Kanal-Speicher

Im Dual-Kanal-Modus können Arbeitsspeichermodule Daten über zwei Datenbusleitungen gleichzeitig senden und empfangen. Durch Aktivierung des Dual-Kanal-Modus wird die Leistung Ihres Systems verbessert. Bitte beachten Sie die folgenden Abbildungen zur Veranschaulichung der Installationsvorgaben im Dual-Kanal-Modus.

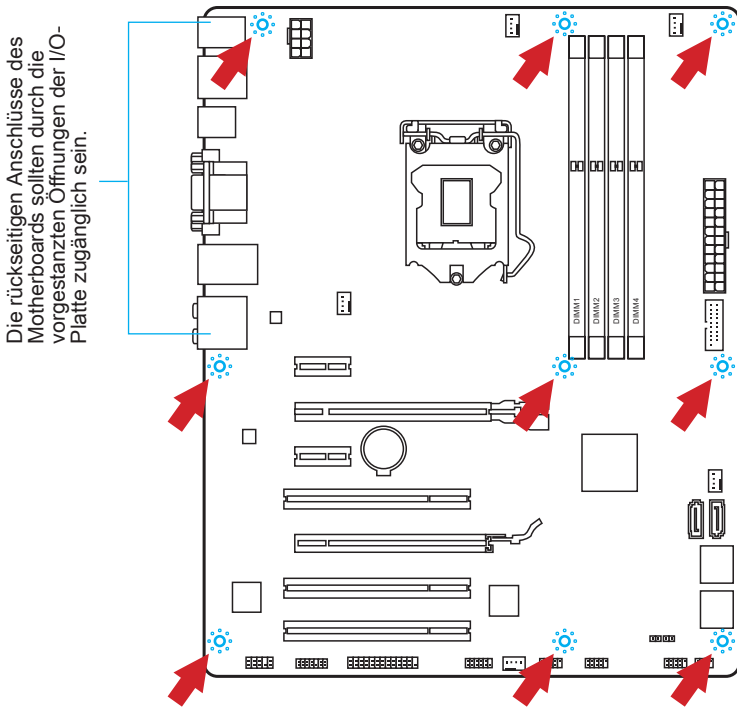


## Wichtig

- *DDR3 und DDR2 können nicht untereinander getauscht werden und der Standard DDR3 ist nicht abwärtskompatibel. Installieren Sie DDR3 Speichermodule stets in DDR3 DIMM Slots.*
- *Verwenden Sie die Speichermodule des gleichen Typs und identischer Speicherdichte im Zweikanalbetrieb, um die Systemstabilität zu gewährleisten.*
- *Aufgrund der Chipsatzressourcennutzung wird nur eine Systemdichte bis 31+GB (nicht volle 32GB) erkannt, wenn jeder DIMM Slot mit einem 8GB Speichermodul besetzt wird.*

## Schraubenlöcher für die Montage

Verwenden Sie die dem Motherboard beiliegende I/O-Platte und setzen Sie sie mit leichtem Druck von innen in die Aussparung des Computergehäuses ein. Zur Installation des Motherboards in Ihrem PC-Gehäuse befestigen Sie zunächst die dem Gehäuse beiliegenden Abstandhalter im Gehäuse. Legen Sie das Motherboard mit den Schraubenöffnungen über den Abstandhaltern und schrauben Sie das Motherboard mit den dem Gehäuse beiliegenden Schrauben fest. Die Positionen der Befestigungslöcher sehen Sie in der Zeichnung unten. Weitere Informationen erfahren Sie über Ihr Gehäusehandbuch.



### **Wichtig**

- Installieren Sie das Motherboard auf einer ebenen Fläche ohne Schmutz.
- Um Schäden am Motherboard zu verhindern, vermeiden Sie jegliche Berührung des Motherboards mit dem Gehäuse mit Ausnahme der Abstandhalter unter den Befestigungslöchern.
- Stellen Sie sicher, dass sich keine losen metallischen Teile im Gehäuseinneren befinden.

# Stromversorgung



## Video-Demonstration

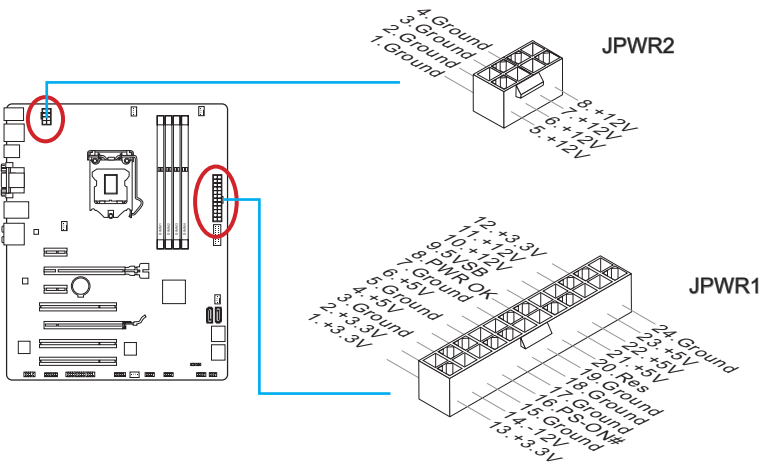
Anhand dieses Video an untenstehender Adresse erfahren Sie, wie Sie die Stromversorgungsstecker installieren.

[http://youtu.be/gkDYyR\\_83I4](http://youtu.be/gkDYyR_83I4)



## JPWR1~2: ATX Stromanschlüsse

Mit diesem Anschluss verbinden Sie den ATX Stromanschlüsse. Achten Sie bei dem Verbinden des ATX Stromanschlusses darauf, dass der Anschluss des Netzteils richtig auf den Anschluss an der Hauptplatine ausgerichtet ist. Drücken Sie dann den Anschluss des Netzteils fest nach unten, um eine richtige Verbindung zu gewährleisten.



## Wichtig

Stellen Sie sicher, dass diese Anschlüsse mit den richtigen Anschlüssen des Netzteils verbunden werden, um einen stabilen Betrieb der Hauptplatine sicherzustellen.

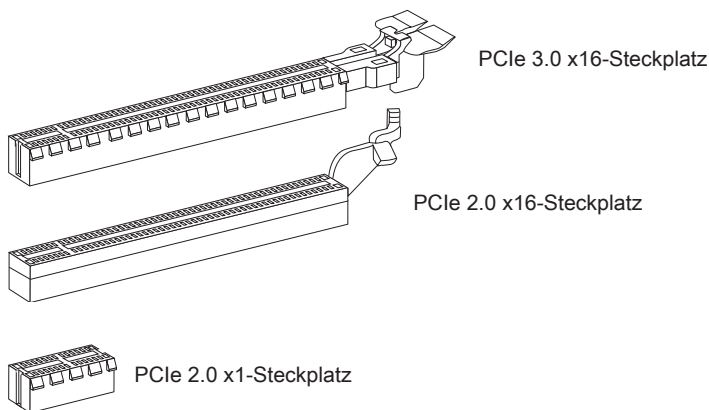
## Erweiterungssteckplätze

---

Dieses Motherboard enthält zahlreiche Schnittstellen für Erweiterungskarten, wie diskrete Grafik- oder Soundkarten.

### PCI\_E1~E4: PCIe Erweiterungssteckplätze

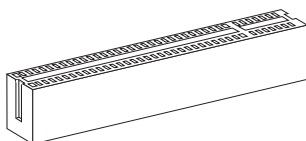
Der PCIe Steckplatz unterstützt PCIe-Erweiterungskarten.



---

### PCI1~3: PCI Erweiterungssteckplätze

Der PCI-Steckplatz kann LAN-Karten, SCSI-Karten, USB-Karten und sonstige Zusatzkarten aufnehmen, die mit den PCI-Spezifikationen konform sind.



#### **Wichtig**

*Achten Sie darauf, dass Sie den Strom abschalten und das Netzkabel aus der Steckdose herausziehen, bevor Sie eine Erweiterungskarte installieren oder entfernen. Lesen Sie bitte auch die Dokumentation der Erweiterungskarte, um notwendige zusätzliche Hardware oder Software-Änderungen zu überprüfen.*

## Video/ Grafikkarten

---

Fall im Prozessor integriert, nutzt dieses Motherboard den im Prozessor befindlichen Grafikprozessor. Zusätzliche Grafikkarten können aber über die auf dem Motherboard verfügbaren Erweiterungssteckplätze eingesetzt werden um die Systemleistung zu erhöhen.



### *Video-Demonstration*

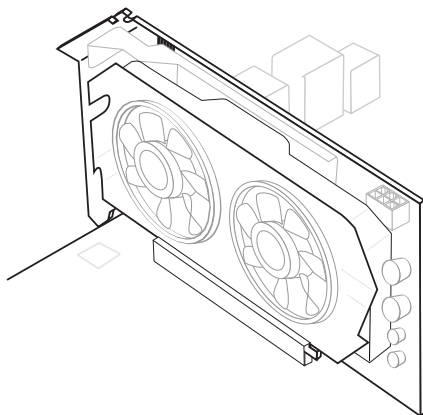
Anhand dieses Video an untenstehender Adresse erfahren Sie, wie Sie eine Grafikkarte im PCIe x16 Steckplatz mit Butterfly-Verschlüssen installieren.

[http://youtu.be/mG0GZpr9w\\_A](http://youtu.be/mG0GZpr9w_A)



### Installation einer Grafikkarte

1. Stellen Sie fest für welchen Steckplatz Ihre Grafikkarte geeignet ist. Suchen Sie einen entsprechenden freien Steckplatz auf Ihrem Motherboard. Entfernen Sie eine eventuelle Schutzvorrichtung für den Steckplatz im Gehäuse.
2. Positionieren Sie die Grafikkarte über den gewählten Steckplatz, mit dem Display-Anschluss in Richtung Gehäuseausgang. Für die Installation einer einzelnen Grafikkarte empfehlen wir PCI\_E2.
3. Pressen Sie die Grafikkarte in den Steckplatz. je nach Steckplatz sollte die Karte in einer Halterung am Steckplatzende einrasten.
4. Befestigen Sie das vordere Ende der Grafikkarte mit einer dafür vorgesehenen Schraube am Computergehäuse.
5. Konsultieren Sie das Handbuch Ihrer Grafikkarte für weitere Angaben zur Treiberinstallation und zu den Einstellungen. Einige Grafikkarten benötigen den Anschluss einer gesonderten Stromversorgung.



# Interne Anschlüsse

## SATA1~6: SATA Anschluss

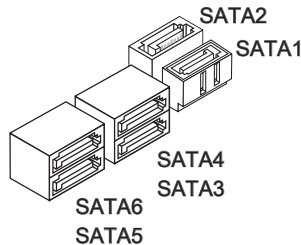
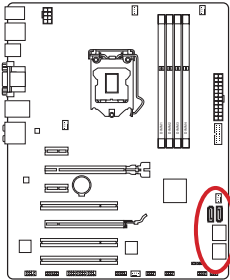
Dieser Anschluss basiert auf der Hochgeschwindigkeitsschnittstelle Serial ATA (SATA). Pro Anschluss kann ein Serial ATA Gerät angeschlossen werden. Zu Serial ATA Geräten gehören Festplatten (HDD), SSD Festplatten (SSD) und optische Laufwerke (CD-/DVD-/Blu-Ray-Laufwerke).



### *Video-Demonstration*

Anhand dieses Video an untenstehender Adresse erfahren Sie, wie Sie eine SATA-Festplatte installieren.

<http://youtu.be/RZsMpqxythc>

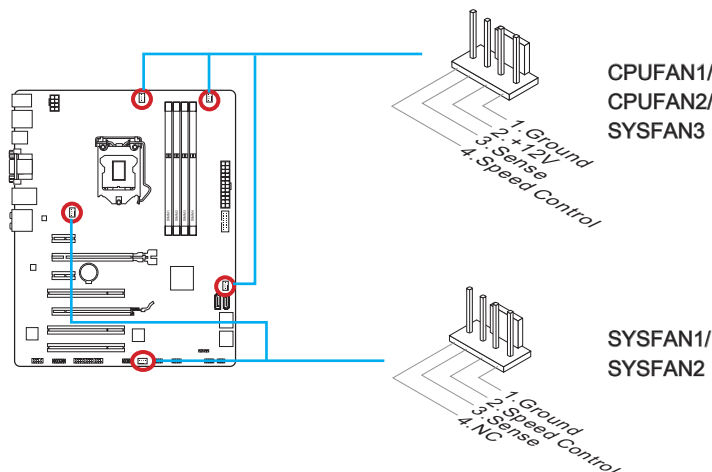


### **Wichtig**

- Viele Serial ATA Geräte benötigen eine zusätzliche Stromversorgung über das PC-Netzteil. Dazu gehören Festplatten (SSD und HDD), und optische Laufwerke (CD-/DVD-/ Blu-Ray). Weitere Informationen bietet das entsprechende Handbuch des Laufwerks.
- Meist müssen Serial-ATA Geräte im Gehäuse verschraubt werden. Informationen dazu finden Sie im Gehäuse- oder Gerätehandbuch.
- Knicken Sie das Serial ATA Kabel nicht in einem 90° Winkel. Datenverlust könnte die Folge sein.
- SATA-Kabel haben identische Stecker an beiden Enden. Es wird empfohlen den flachen Stecker auf dem Motherboard einstecken.

## CPUFAN1~2,SYSFAN1~3: Stromanschlüsse für Lüfter

Die Anschlüsse unterstützen aktive Systemlüfter mit +12V. Ist Ihr Motherboard mit einem Chipsatz zur Überwachung der Systemhardware versehen, dann brauchen Sie einen speziellen Lüfter mit Geschwindigkeitsregelung, um die Vorteile der Steuerung des CPU Lüfters zu nutzen. Vergessen Sie nicht, alle Systemlüfter anzuschließen. Einige Systemlüfter können nicht direkt an dem Motherboard angeschlossen werden und müssen stattdessen mit dem Netzteil direkt verbunden werden. Kompatible Systemlüfter können an jeder der onboard-Systemlüfteranschlüsse angeschlossen werden.



### **Wichtig**

- Informieren Sie sich vor dem Kühlerkauf über die empfohlenen CPU-Kühler des Prozessorherstellers auf dessen website.
- Die Anschlüsse unterstützen die Smart Fan Lüftersteuerung. Das Utility Command Center kann installiert werden, um die Lüftergeschwindigkeit in Abhängigkeit von der der Prozessor- und System-Temperatur zu steuern.
- Für den Fall, dass nicht genügend Lüfteranschlüsse auf dem Motherboard zur Verfügung stehen, können weitere Lüfter mittels Adapter direkt am Netzteil angeschlossen werden.
- Stellen Sie vor dem ersten Systemstart sicher, dass sich keine Kabel in den Lüftern verfangen können.

## JFP1, JFP2: Systemtafelanschlüsse

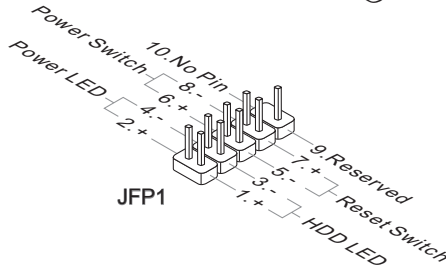
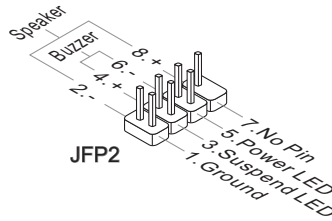
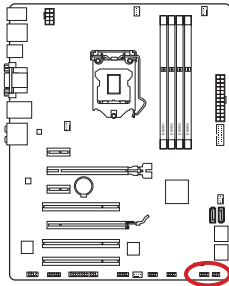
Diese Anschlüsse sind für das Frontpanel angelegt. Sie dienen zum Anschluss der Schalter und LEDs des Frontpanels. JFP1 erfüllt die Anforderungen des "Intel® Front Panel I/O Connectivity Design Guide". Bei der Installation des Frontpanel-Anschlüsse, nutzen Sie bitte die optionalen M-Connectors um die Installation zu vereinfachen. Schließen Sie alle Kabel aus dem PC-Gehäuse zunächst an die M-Connectors an und stecken Sie die M-Connectors auf das Motherboard.



### Video-Demonstration

Anhand dieses Videos an untenstehender Adresse erfahren Sie, wie Sie die Frontpanel-Anschlüsse installieren.

<http://youtu.be/DPELIdVNZUI>

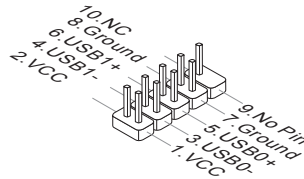
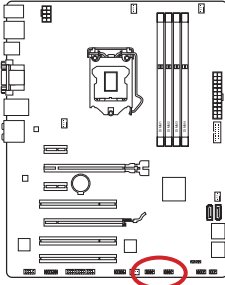


### Wichtig

- An den Anschlüssen aus dem Gehäuse sind die positiven Kabel an den Pins, die mit kleinen Dreiecken markiert sind erkennbar. Bitte verwenden Sie das Diagramm oben und die Bezeichnungen auf den M-Connectors um die korrekte Positionierung und Platzierung festzustellen.
- Die meisten Anschlüsse in der Frontplatte des PC-Gehäuse soll vor allem in JFP1 gesteckt werden.

## JUSB1~2: USB 2.0 Erweiterungsanschlüsse

Dieser Anschluss eignet sich für die Verbindung der Hochgeschwindigkeits- USB-Peripheriegeräte, wie z.B. USB Festplattenlaufwerke, Digitalkameras, MP3-Player, Drucker, Modems und ähnliches.

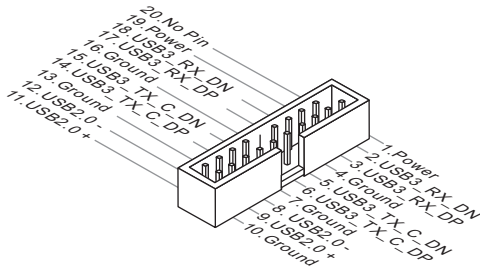
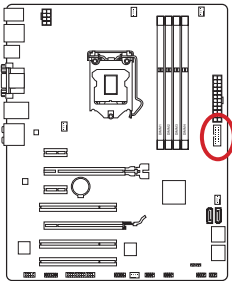


### Wichtig

Bitte beachten Sie, dass Sie die mit VCC (Stromführende Leitung) und GND (Erdleitung) bezeichneten Pins korrekt verbinden müssen, ansonsten kann es zu Schäden kommen.

## JUSB3: USB 3.0 Erweiterungsanschluss

Der USB 3.0 Anschluss ist abwärtskompatibel mit USB 2.0-Geräten. Unterstützt Datentransferraten bis zu 5 Gbit/s (SuperSpeed).

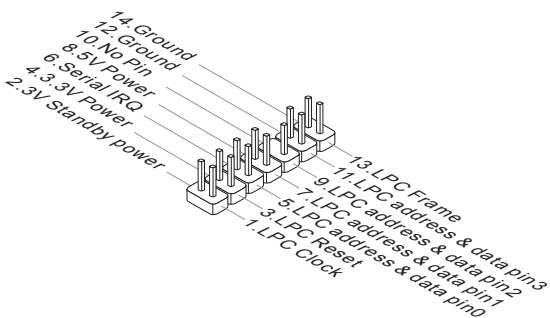
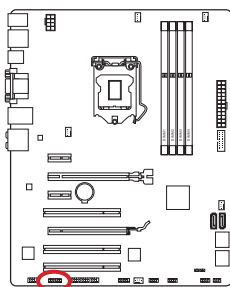


### Wichtig

- Bitte beachten Sie, dass Sie die mit VCC (Stromführende Leitung) und GND (Erdleitung) bezeichneten Pins korrekt verbinden müssen, ansonsten kann es zu Schäden kommen.
- Zur Verwendung eines USB 3.0-Gerät, müssen Sie das Gerät an einen USB 3.0 Port über ein optionales USB 3.0-kompatibles Kabel anschließen.

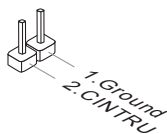
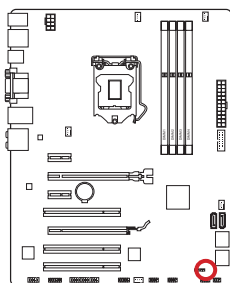
## JTPM1: TPM Anschluss

Dieser Anschluss wird für das TPM Modul (Trusted Platform Module) verwendet. Weitere Informationen über den Einsatz des optionalen TPM Modules entnehmen Sie bitte dem TPM Plattform Handbuch.



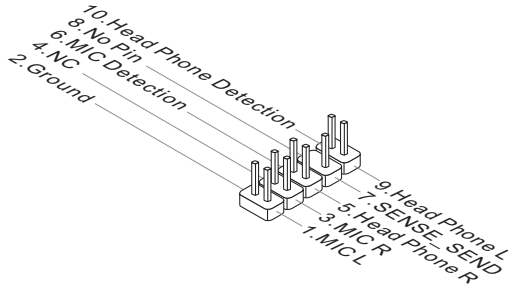
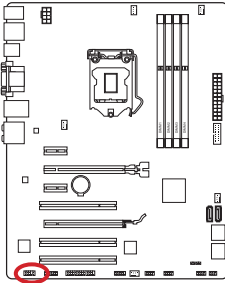
## JCI1: Gehäusekontaktanschluss

Dieser Anschluss wird mit einem Kontaktschalter verbunden. Wenn das PC-Gehäuse geöffnet wird, aktiviert dies den Gehäuse-Kontaktschalter und eine Warnmeldung wird auf dem Bildschirm angezeigt. Um die Warnmeldung zu löschen, muss das BIOS aufgerufen und die Aufzeichnung gelöscht werden.



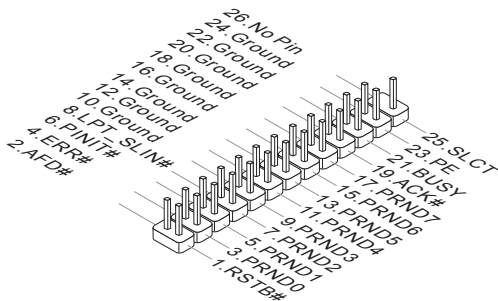
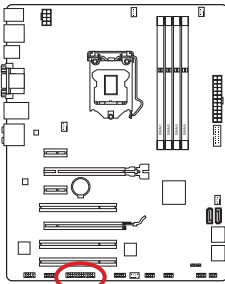
## JAUD1: Audioanschluss des Frontpanels

Dieser Anschluss ermöglicht den Anschluss von Audio Ein- und Ausgängen eines Frontpanels. Der Anschluss entspricht den Richtlinien des "Intel® Front Panel I/O Connectivity Design Guide".



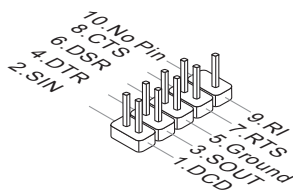
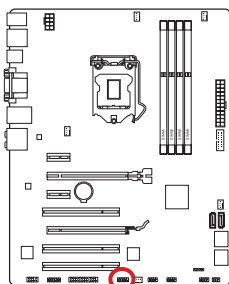
## JLPT1: Parallele Schnittstelle

Die Parallele Schnittstelle ist eine Standard Druckerschnittstelle, die ebenso als Enhanced Parallel Port (EPP) und als Extended Capabilities Parallel Port (ECP) betrieben werden kann.



## JCOM1: Serieller Anschluss

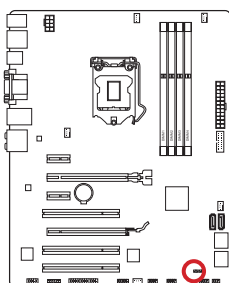
Es handelt sich um eine 16550A Kommunikationsschnittstelle, die 16 Bytes FIFOs sendet/empfängt. Hier lässt sich eine serielle Maus oder andere serielle Geräte direkt anschließen.



## Steckbrücke

### JBAT1: Steckbrücke zur CMOS-Löschung

Der Onboard CMOS Speicher (RAM) wird durch eine externe Spannungsversorgung durch eine Batterie auf dem Motherboard versorgt, um die Daten der Systemkonfiguration zu speichern. Er ermöglicht es dem Betriebssystem, mit jedem Einschalten automatisch hochzufahren. Wenn Sie die Systemkonfiguration löschen wollen, müssen Sie die Steckbrücke für kurze Zeit umsetzen. Halten Sie sich an die Anweisungen in der Grafik, um die Daten zu löschen.



Daten beibehalten



CMOS-Daten löschen



### **Wichtig**

Wenn das System ausgeschaltet ist, können Sie die Steckbrücke stecken, um die Daten im CMOS zu löschen. Danach entfernen Sie die Steckbrücke. Versuchen Sie niemals die Daten im CMOS zu löschen, wenn das System eingeschaltet ist. Die Hauptplatine kann dadurch beschädigt werden.

## Treiber und Dienstprogramme

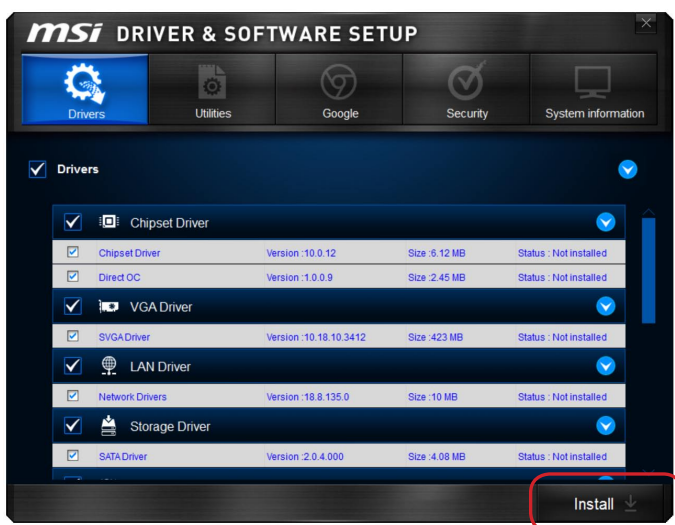
Nach der Installation des Betriebssystems müssen Sie Treiber installieren, um die Leistung des neuen Computers zu maximieren. Dem MSI Mainboard liegt eine Treiber-CD bei. Die enthaltenen Treiber ermöglichen es Ihnen, das Motherboard effizienter zu nutzen und von den besonderen Eigenschaften des MSI Motherboards zu profitieren.

Sie können Ihren Computer durch den Einsatz des beiliegenden Sicherheitsprogramms vor Viren schützen. Zusätzlich liegen dem Paket eine Vielzahl von leistungsfähigen und nützlichen Utilities bei.

### Treiber/ Dienstprogramme Installer

Befolgen Sie bitte folgende Schritte, um die Treiber und Dienstprogramme auf Ihrem neuen Computer zu installieren.

1. Legen Sie die MSI-Treiber-Disk in das optische Laufwerk ein. Der Installierer erscheint automatisch, wenn "Autorun" aktiviert ist.
2. Der Installierer erscheint, in dem alle notwendigen Treiber aufgelistet werden.
3. Klicken Sie die "Install" Taste.



Klicken Sie hier

4. Die Installation der Software wird dann in Gang gesetzt. Nach der Fertigstellung wird ein Neustart durchgeführt.
5. Klicken Sie auf **OK**, um den Installation zu beenden.
6. Starten Sie den Computer neu.

Sie können auch die gleiche Methode verwenden, um die gewünschten Dienstprogramme zu installieren.

# BIOS Setup

**CLICK BIOS** wurde von MSI entwickelt, es bietet eine intuitiv bedienbare grafische Benutzeroberfläche in der BIOS-Parameter einfach per Maus und Tastatur konfiguriert werden können.

Mit **CLICK BIOS** können Benutzer alle wichtigen BIOS-Einstellungen ändern, die CPU-Temperatur überwachen, die Boot-Reihenfolge festlegen und die Systeminformationen anzeigen, wie CPU-Name, DRAM Kapazität, OS-Version und BIOS-Version. Benutzer können die Einstellungen exportieren und importieren, um sie zu sichern, einzuspielen oder mit Freunden zu teilen.

## Aufruf des BIOS Setups

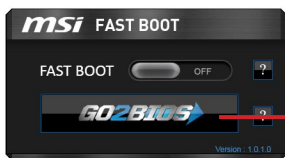
Nach dem Einschalten beginnt der Computer den POST (Power On Self Test - Selbstüberprüfung nach Anschalten). Sobald die Meldung unten erscheint drücken Sie die Taste <Entf>( <DEL>), um das BIOS aufzurufen:

**Press <Del> to run BIOS setup, or <F11> to run boot menu**

( <ENTF> drücken, um das BIOS Setup zu öffnen;  
<F11> drücken um das Bootmenü zu öffnen)

Wenn die Nachricht verschwindet, bevor Sie reagieren und Sie möchten immer noch ins BIOS, starten Sie das System neu, indem Sie es erst AUS- und danach wieder ANSCHALTEN, oder die "RESET"-Taste am Gehäuse betätigen. Sie können das System außerdem neu starten, indem Sie gleichzeitig die Tasten <Strg>, <Alt> und <Entf> drücken (bei manchen Tastaturen <Ctrl>, <Alt> und <Del>).

MSI bietet zusätzlich zwei Methoden, um das BIOS-Setup zu gelangen. Klicken Sie auf das Auswahlfeld "GO2BIOS" des Bildschirms "MSI Fast Boot" oder drücken Sie die Taste "GO2BIOS" (optional) auf dem Motherboard, um beim nächsten Systemstart automatisch ins BIOS Menu zu wechseln.



Klicken Sie auf das Auswahlfeld "GO2BIOS" des Bildschirms "MSI Fast Boot".

## **Wichtig**

- Beim Einsatz des "MSI Fastboot"-Dienstprogramms zum automatischen Aufrufen des BIOS müssen Sie das Programm zunächst installieren.
- Die Menüpunkte jeder in diesem Kapitel beschriebenen BIOS Kategorie befinden sich in permanenter Weiterentwicklung um die Systemleistung zu verbessern. Deswegen können die Beschreibungen leicht von der letzten Fassung des BIOS abweichen und sollten demnach nur als Anhaltspunkte dienen.

# Überblick

Nach dem Aufrufen des BIOS, sehen Sie die folgende Anzeige.



## ► BIOS-Menü-Auswahl

Die folgenden Optionen stehen zur Verfügung:

- **SETTINGS** - Mit diesem Menü können Sie die Parameter für Chipsatz, Boot-Geräte angeben.
- **OC** - Dieses Menü enthält die Frequenz- und Spannungsanpassungen. Die Erhöhung der Frequenz kann eine bessere Leistung erreichen. Andererseits kann eine zu hohe Frequenz und hohe Wärmeentwicklung Instabilität verursachen. Daher empfehlen wir unerfahrenen Anwendern nicht zu übertakten.
- **M-FLASH** - Dieses Menü bietet die Funktion, das BIOS mit einem USB-Flash-Laufwerk zu aktualisieren.
- **OC PROFILE** - In diesem Menü werden die verschiedenen Overclocking-Profile gesetzt.
- **HARDWARE MONITOR** - In diesem Menü werden die Geschwindigkeiten der Lüfter gesetzt und die Spannungen des Systems überwacht.
- **BOARD EXPLORER** - In diesem Menü zeigt die Information der installierten Geräte auf dem Motherboard an.

### ► Virtual OC Genie Taste

Aktivieren oder deaktivieren Sie die OC Genie Funktion durch einen Klick auf diese Taste. Wenn aktiviert, leuchtet diese Taste auf. Aktivieren Sie die OC Genie-Funktion mit einem von MSI optimierten Übertaktungsprofil automatisch zu übertakten.



*Es wird empfohlen, keine Änderung im OC-Menü zu machen und die Werkseinstellungen nach dem Aktivieren der OC Genie-Funktion nicht zu laden.*

### ► Menüanzeige

Dieser Bereich ermöglicht die Konfiguration von BIOS Einstellungen.

### ► Boot-Geräte Prioritätsleiste

Sie können die Gerätesymbole verschieben, um die Startreihenfolge zu ändern.



Hohe Priorität → Niedrigere Priorität

### ► System-Information

Es zeigt Zeit, Datum, CPU-Name, CPU-Frequenz, DRAM-Frequenz, DRAM-Kapazität und die BIOS-Version.

### ► Sprache

Hier können Sie die Sprache der BIOS-Einstellungen auswählen.

### ► Temperaturüberwachung

Es zeigt die Temperatur des Prozessors und des Motherboards.




### ► Favoriten

Hier können Sie Ihre persönlichen BIOS-Menü erstellen, wo Sie die Einstellungen speichern können und Ihre Lieblings/ häufig verwendete BIOS-Einstellungspunkte anwählen können.

- **Default HomePage** - Über diese Option können Sie eine BIOS-Menü (zum Beispiel: Einstellungen, Übertaktung, usw.) als BIOS Homepage auswählen.
- **Favorite1~5** - Hier können Sie die häufig verwendete/ Lieblings BIOS-Einstellungspunkte in einer Seite hinzuzufügen.

## Betrieb

Sie können die BIOS-Einstellungen mit der Maus oder der Tastatur steuern. Die folgende Tabelle zeigt und beschreibt die Hotkeys und Mauseaktionen.

Hotkey	Maus	Beschreibung
<↑↓→←>	 Bewegen Sie den Cursor	Auswahl eines Eintrages
<Enter>	 Klicken/ doppelt-klicken Sie mit der linken Maustaste	Auswahl eines Symbols/ Feldes
<Esc>	 Klicken Sie mit der rechten Maustaste	Das Menü verlassen oder zurück zum Hauptmenü aus dem Untermenü
<+>	X	Hochzählen oder ändern eines Wertes
<->		Herunterzählen oder ändern eines Wertes
<F1>		Allgemeine Hilfe
<F2>		Favoriten-Assistent
<F3>		Öffnen das Meine Favoriten Menü
<F4>		CPU-Spezifikationen
<F5>		Aufruf des Memory-Z Fensters mit Details zum Speicher
<F6>		Laden der ursprünglichen Setup-Standardwerte
<F8>		OC-Profil wird vom USB-Stick geladen
<F9>		OC-Profil wird auf einem USB-Stick gespeichert
<F10>		Speichern oder Zurücksetzen der Änderungen
<F12>		Speichern des Bildschirmfotos auf einen FAT/ FAT32 USB-Laufwerk

## OC-Menü

In diesem Menü können Benutzer das BIOS anpassen und übertakten. Bitte führen Sie nur Änderungen durch, wenn Sie sich über das Ergebnis im Klaren sind. Sie sollten Erfahrung beim Übertakten haben, da Sie sonst das Motherboard oder Komponenten des Systems beschädigen können.



### Wichtig

- Die Übertaktung ist nur für fortgeschrittene Benutzer zu empfehlen.
- Die erfolgreiche Übertaktung ist nicht gewährleistet. Die Anwendung von Übertaktungsmaßnahmen kann zu Verlust der Garantie oder zur Beschädigung der Hardware führen.
- Falls Sie sich mit der Übertaktung nicht auskennen, empfehlen wir für einfaches Übertakten die OC-Genie Funktion.

#### ▶ Simple/Advanced Mode [Simple]

Aktivieren oder deaktivieren Sie die erweiterten Übertaktungseinstellungen in BIOS.

[Simple] Es bietet normale Übertaktungseinstellungen im BIOS-Setup.

[Advanced] Es bietet die erweiterten Übertaktungseinstellungen für den erfahrenen Benutzer, welche die Einstellungen im BIOS-Setup konfigurieren wollen.

Hinweis: Wir verwenden \* als Symbol für die Übertaktungseinstellungen des Erweiterten Modus.

#### < CPU Einstellung >

##### ▶ Adjust CPU Ratio [Auto]

Legen Sie den CPU-Multiplikator fest, um die CPU-Taktfrequenzen zu bestimmen. Diese Option kann nur geändert werden, wenn der Prozessor diese Funktion unterstützt.

► **Adjusted CPU Frequency**

Es zeigt die eingestellte Frequenz der CPU an. Es handelt sich um eine Anzeige – Änderungen sind nicht möglich.

► **Adjust Ring Ratio [Auto]**

Setzen Sie den Ring Ratio. Der erlaubte Wertebereich ist abhängig von der installierten CPU.

► **Adjusted Ring Frequency**

Zeigt die angepasste Ring Frequenz. Nur Anzeige – keine Änderung möglich.

► **Adjust GT Ratio [Auto]**

Setzen Sie den Multiplikator der integrierten Grafik. Der erlaubte Wertebereich ist abhängig von der installierten CPU.

► **Adjusted GT Frequency**

Zeigt die angepasste Frequenz der integrierten Grafik. Nur Anzeige – keine Änderung möglich.

< **CPU BCLK Einstellung** >

► **CPU Base Clock (MHz) [Default]**

Hier können Sie den CPU Grundtakt anpassen. Sie können die CPU übertakten, indem Sie diesen Wert verändern. Bitte beachten Sie, dass die Übertaktung (und das Ergebnis) und die Stabilität nicht gewährleistet sind. Diese Option wird angezeigt, wenn der installierte Prozessor diese Funktion unterstützt.

< **DRAM Einstellung** >

► **DRAM Reference Clock [Auto]\***

Setzen Sie den DRAM-Referenztakt. Der erlaubte Wertebereich ist abhängig von der installierten CPU. Diese Option wird angezeigt, wenn die installierte CPU diese Einstellungen unterstützt.

► **DRAM Frequency [Auto]**

Setzen Sie die DRAM Frequenz. Bitte beachten Sie, dass ein zuverlässiges Übertaktungsverhalten nicht garantiert werden kann.

► **Adjusted DRAM Frequency**

Zeigt die Speicherfrequenz an. Nur Anzeige – keine Änderung möglich.

► **DRAM Timing Mode [Auto]**

Wählt den Speicher-Timing-Modus aus.

[Auto] Das DRAM-Timing wird basierend auf SPD (Serial Presence Detect) der installierten Speichermodule bestimmt.

[Link] Ermöglicht die manuelle Konfigurieren des DRAM-Timing für alle Speicherkanäle.

[UnLink] Ermöglicht die manuelle Konfigurieren des DRAM-Timing für die einzelnen Speicherkanäle.

### ► Advanced DRAM Configuration

Drücken Sie die Eingabetaste <Enter>, um das Untermenü aufzurufen. Dieses Untermenü wird nach der Einstellung [Link] oder [Unlink] in "DRAM Timing Mode" aktiviert werden. Der Anwender kann die Speicher-Timing für jeden Kanal des Speichers einstellen. Das System könnte nach dem Ändern Speicher-Timings instabil werden oder nicht mehr booten. Wenn Instabilität auftritt, löschen Sie bitte die CMOS-Daten und stellen Sie die Standardeinstellungen wieder her. (Lesen Sie bitte den Abschnitt "Clear CMOS Jumper/ Taste", um die CMOS-Daten zu löschen, und die Standardeinstellungen auf das BIOS zu laden.)

### ► Memory Fast Boot [Auto]

Aktivieren oder deaktivieren Sie die die Initiierung und Prüfung des Speichers für jeden.

- [Auto] Diese Einstellungen werden vom BIOS automatisch konfiguriert.
- [Enabled] Der Vorgang der Initiierung und Prüfung des Hauptspeichers wird aus dem Archiv der ersten Initiierung imitiert um den Systemstart zu beschleunigen.
- [Disabled] Der Speicher wird bei jedem Boot-Vorgang vollständig neu initiiert und geprüft.

### < Spannungseinstellung >

#### ► DigitALL Power

Drücken Sie die Eingabetaste <Enter>, um das Untermenü aufzurufen. Steuert die digitale CPU PWM.

#### ► VR 12VIN OCP Expander [Auto]

Erweitert die Begrenzung der VR-Überstromschutz mit 12V Eingangsspannung. Der höhere erweiternden Wert gibt den Ausbau weniger CPU-Schutz. Im Bedarfsfall stellen Sie bitte die CPU-Spannung ein oder es die CPU/ VR MOS beschädigen kann. Wenn die Einstellung auf [Auto] gesetzt ist, wird das BIOS diese Einstellungen automatisch konfigurieren.

#### ► CPU Phase Control [Auto]

Steuern Sie PWM Phase proportional zur CPU-Belastung. Wenn die Einstellung auf [Auto] gesetzt ist, wird das BIOS die CPU PWM-Phase automatisch optimieren.

- [Auto] Diese Einstellungen werden vom BIOS automatisch konfiguriert.
- [Normal] Legt den normalen CPU Stromphasen Modus fest. Es wäre eine stabile Systemleistung und wirksame Stromverbrauch-Fähigkeit bereitstellen.
- [Optimized] Legt den optimalen CPU Stromphasen Modus fest. Es wäre eine optimale Stromverbrauch-Fähigkeit für das System bereitstellen.
- [Disabled] Deaktiviert die PWM-Phase Switching Funktion.

#### ► CPU Vdroop Offset Control [Auto]

Legen Sie einen Prozentsatz der Offset-Spannung für die CPU Vdroop fest. Wenn die Einstellung auf [Auto] gesetzt ist, wird das BIOS diese Einstellung automatisch konfigurieren.

► **CPU Over Voltage Protection [Auto]**

Legen Sie die Spannungsgrenze für den CPU-Überspannungsschutz fest. Wenn die Einstellung auf [Auto] gesetzt ist, wird das BIOS diese Einstellungen automatisch konfigurieren. Höhere Spannung bietet weniger Sicherheit und kann das System beschädigen.

► **CPU Under Voltage Protection [Auto]**

Legen Sie die Spannungsgrenze für den CPU-Unterspannungsschutz fest. Wenn die Einstellung auf [Auto] gesetzt ist, wird das BIOS diese Einstellungen automatisch konfigurieren. Höhere Spannung bietet weniger Schutz und kann das System beschädigen.

► **CPU Over Current Protection [Auto]**

Legen Sie den aktuellen Grenzwert für den CPU-Überstromschutz fest. Wenn die Einstellung auf [Auto] gesetzt ist, wird das BIOS diese Einstellungen automatisch konfigurieren. Höhere Spannung bietet weniger Sicherheit und kann das System beschädigen.

► **Phase Over Current Protection [Enabled]**

Aktiviert oder deaktiviert die Phase Überstromschutz.

[Enabled] Setzen Sie den aktuellen Grenzwert in den Phase für Überstromschutz.

[Disabled] Deaktiviert diese Funktion.

► **CPU Switching Frequency [Auto]**

Stellen Sie die PWM Arbeitsgeschwindigkeit ein, um die CPU Core-Spannung und den Ripple Bereich zu stabilisieren. Die Erhöhung der PWM Arbeitsgeschwindigkeit verursachen höhere Temperatur der MOSFET. So stellen Sie bitte sicher, dass eine Kühlung für MOSFET gut vorbereitet, bevor Sie den Wert erhöhen. Wenn die Einstellung auf [Auto] gesetzt ist, wird das BIOS diese Einstellungen automatisch konfigurieren.

► **CPU VRM Over Temperature Protection [Enabled]**

Aktivieren oder deaktivieren Sie den CPU VRM Übertemperaturschutz.

[Enabled] Setzen Sie für den Übertemperaturschutz die Temperaturgrenze auf CPU VRM. Die CPU-Frequenz kann gedrosselt werden, wenn CPU VRM über die Temperaturgrenze erhöht.

[Disabled] Deaktiviert diese Funktion.

► **CPU VRM Over Temperature Shutdown [Enabled]**

Diese Option wird gewählt, ob das System ausgeschaltet ist oder nicht, wenn die CPU VRM Temperatur über die Begrenzungstemperatur von CPU VRM Temperaturschutz steigt.

[Enabled] Das System wird während der Temperatur über eine bestimmte Gradzahl ausgeschaltet.

[Disabled] Deaktiviert diese Funktion.

#### ► Digital Compensation Level [Auto]

Stellen Sie die aktuelle Entschädigungen für die CPU-PWM ein, wenn die MOS-Phasen geändert werden. Wenn die Einstellung auf [Auto] gesetzt ist, wird das BIOS diese Einstellungen automatisch konfigurieren. Die erhöhte Höhere Entschädigungen bietet eine bessere Leistung auf den gegenwärtigen Stabilität während der Übertaktung.

#### ► Imon Overwrite [Auto]

Stellen Sie den Imon Strom für die CPU.

- [Auto] Diese Einstellungen werden vom BIOS automatisch konfiguriert.
- [Quarter] Setzen Sie den Imon Strom in Quartal.
- [Half] Setzen Sie den Imon Strom in Hälften.
- [Disabled] Setzen Sie den Standard-Wert für den Imon Strom.

#### ► Transient Boost [Disabled]

Aktivieren oder deaktivieren Sie die vorübergehende Erhöhung.

- [Enabled] Aktivieren Sie diese Funktion, um das System in einen stabilen Zustand bei hoher Systemlast zu führen.
- [Disabled] Deaktiviert diese Funktion.

#### ► SVID Communication [Auto]\*

Aktivieren oder deaktivieren Sie die SVID (Serial Voltage Identification)-Unterstützung.

- [Auto] Diese Einstellungen werden vom BIOS automatisch konfiguriert.
- [Enabled] PWM-Phase wird dynamisch je nach CPU SVID (Serial Voltage Identification) geändert.
- [Disabled] Deaktiviert die SVID (Serial Voltage Identification)-Unterstützung.

#### ► VCCIN Voltage [Auto]

Legen Sie die CPU Eingangsspannung fest. Die CPU Eingangsspannung ist die CPU Stromquelle, die durch Komponenten der CPU gemeinsam genutzt wird.

#### ► CPU Core Voltage/ CPU Ring Voltage/ CPU GT Voltage [Auto]

Einstellung dieser CPU Core/ Ring/ GT-Spannungen. Wenn die Einstellung auf [Auto] gesetzt ist, wird das BIOS die Spannungen automatisch eingestellt oder Sie können es manuell einstellen.

#### ► CPU SA Voltage/ CPU IO Analog Voltage/ CPU IO Digital Voltage [Auto]

Einstellung dieser CPU SA/ IO Analog/ IO Digital-Spannungen . Wenn die Einstellung auf [Auto] gesetzt ist, wird das BIOS die Spannungen automatisch eingestellt oder Sie können es manuell einstellen.

#### ► XXX Voltage [Auto]\* (optional)

Legen Sie die Speicher/ PCH-Spannung fest. Wenn die Einstellung auf [Auto] gesetzt ist, wird das BIOS die Spannungen automatisch eingestellt oder Sie können es manuell einstellen.

## < Andere Einstellung >

### ► CPU Specifications

Drücken Sie die Eingabetaste <Enter>, um das Untermenü aufzurufen. Das Untermenü zeigt die Informationen installierte CPU an. Zu diesen Informationen gelangen Sie, indem Sie die Taste [F4] drücken. Nur Anzeige.

#### ► CPU Technology Support

Drücken Sie die Eingabetaste <Enter>, um das Untermenü aufzurufen. Das Untermenü zeigt die wichtigsten Eigenschaften der installierten CPU an.

### ► MEMORY-Z

Drücken Sie die Eingabetaste <Enter>, um das Untermenü aufzurufen. Dieses Untermenü zeigt alle Einstellungen und Timings des installierten Speichers. Zu diesen Informationen gelangen Sie auch, indem Sie die Taste [F5] drücken.

#### ► DIMM1~4 Memory SPD

Drücken Sie die Eingabetaste <Enter>, um das Untermenü aufzurufen. Das Untermenü zeigt die Technologien des verwendeten Speichers an. Nur Anzeige.

### ► CPU Features

Drücken Sie die Eingabetaste <Enter>, um das Untermenü aufzurufen.

#### ► Hyper-Threading Technology [Enabled]

Der Prozessor verwendet die Technologie des Hyper-Threadings, um die Transaktionsraten zu erhöhen und die Antwortzeiten des Benutzers zu verringern. Die Intel Hyper-Threading Technologie behandelt die Prozessorkerne innerhalb des Prozessors als Multi logische Prozessoren, die Anweisungen simultan durchführen können. Dadurch tritt eine wesentliche Verbesserung der Systemleistung ein.

[Enable] Aktiviert die Intel Hyper-Threading Technologie.

[Disabled] Deaktiviert die Option, wenn das System die HT-Funktion nicht unterstützt.

#### ► Active Processor Cores [All]

Hier können Sie die Zahl der aktiven Prozessorkerne auswählen.

#### ► Limit CPUID Maximum [Disabled]

Aktiviert oder deaktiviert den erweiterten CPUID-Wert.

[Enabled] Das BIOS begrenzt den maximalen CPUID Eingabewert, um Bootprobleme mit älteren Betriebssystem zu umgehen, die den Prozessor mit erweiterten CPUID-Wert nicht unterstützen.

[Disabled] Verwenden Sie den maximalen CPUID Eingabewert.

#### ► Execute Disable Bit [Enabled]

Intel's Execute Disable Bit kann an den Rechner gerichtete "Buffer Overflow" Angriffe verhindern, bei denen Computer-Würmer versuchen, das System durch Ausführung von Codes zu schädigen. Es wird empfohlen, diese Funktion zu aktivieren.

[Enabled] Aktiviert den NO-Execution Schutz, um böartigen Angriffe und Würmern abzuwehren.

[Disabled] Deaktiviert diese Funktion.

#### ► Intel Virtualization Tech [Enabled]

Aktiviert oder deaktiviert die Intel Virtualization Technologie.

[Enabled] Aktiviert die Intel Virtualization-Technologie, die es mehreren Betriebssystemen ermöglicht in voneinander unabhängigen Partitionen zu arbeiten. Das System kann als mehrere Systeme virtuell einsetzen.

[Disabled] Deaktiviert diese Funktion.

#### ► Hardware Prefetcher [Enabled]

Aktivieren oder deaktivieren Sie das Hardware Prefetcher (MLC Streamer prefetcher).

[Enabled] Der CPU Hardware Prefetcher kann frühzeitig Daten und Anweisungen aus dem Speicher in den L2-Cache laden um die Cache-Latency Zeiten zu reduzieren.

[Disabled] Deaktiviert den Hardware Prefetcher.

#### ► Adjacent Cache Line Prefetch [Enabled]

Aktiviert oder deaktiviert den CPU Hardware Prefetcher (MLC Spatial prefetcher).

[Enabled] Ermöglicht Adjacent Cache Line Prefetch zur Verringerung der Cache Latenzzeit und zur Leistungssteigerung von Applikationen.

[Disabled] Aktiviert nur die angeforderten Cache-Zeilen.

#### ► CPU AES Instructions [Enabled]

Aktiviert oder deaktiviert die CPU AES (Advanced Encryption Standard-New Instructions) Unterstützung. Diese Option wird angezeigt, wenn die CPU diese Funktion unterstützt.

[Enabled] Aktiviert die Intel AES Unterstützung.

[Disabled] Deaktiviert die Intel AES Unterstützung.

#### ► Intel Adaptive Thermal Monitor [Enabled]

Aktiviert oder deaktiviert die Intel Adaptive Thermal-Monitor-Funktion, um die CPU vor Überhitzung zu schützen.

[Enabled] Drosselt die CPU Kerntakt, wenn die CPU-Temperatur über die adaptive Temperatur steigt.

[Disabled] Deaktiviert diese Funktion.

#### ► Intel C-State [Auto]

C-State ist eine durch ACPI definierte Prozessor-Power-Management-Technologie.

[Auto] Diese Einstellungen werden vom BIOS automatisch konfiguriert.

[Enabled] Ermöglicht die Erkennung, wann sich das System im Leerlauf befindet und senkt den CPU-Stromverbrauch entsprechend.

[Disabled] Deaktiviert diese Funktion.

**► C1E Support [Disabled]**

Aktiviert oder deaktiviert die C1E-Funktion für Stromersparnis im Leerlauf. Diese Option wird angezeigt, wenn "Intel C-State" aktiviert ist.

[Enabled] Ermöglicht die C1E Funktion, um die CPU-Frequenz und Spannung zur Stromersparnis im Leerlauf zu reduzieren.

[Disabled] Deaktiviert diese Funktion.

**► Package C State limit [Auto]**

Hier können Sie einen CPU C-State-Modus für Stromsparen auswählen, wenn das System im Leerlauf ist. Diese Option wird angezeigt, wenn "Intel C-State" aktiviert ist.

[Auto] Diese Einstellungen werden vom BIOS automatisch konfiguriert.

[C0~C7s] Die Energiesparstufe ist von hoch zu niedrig ist C7s, C7, C6, C3, C2, dann C0.

**► LakeTiny Feature [Disabled]**

Aktivieren oder deaktivieren Sie die Intel Lake Tiny-Technologie mit IRST für SSD. Diese Option wird angezeigt, wenn eine installierte CPU diese Funktion unterstützt und "Intel C-State" aktiviert ist.

[Enabled] Verbessert die der dynamischen IO-Last angepasste Leistung für die Beschleunigung der SSD Geschwindigkeit.

[Disabled] Deaktiviert diese Funktion.

**► EIST [Enabled]**

Aktivieren oder deaktivieren Sie die Enhanced Intel® SpeedStep Technologie. Diese Option wird angezeigt, wenn "Simple/ Advanced Mode" auf [Simple] eingestellt.

[Enabled] Aktiviert EIST, um die CPU-Spannung und Taktfrequenz dynamisch anzupassen. Es kann zu verringern durchschnittliche Stromverbrauch und die durchschnittliche Wärmeproduktion.

[Disabled] Deaktiviert EIST.

**► Intel Turbo Boost [Enabled]**

Aktivieren oder deaktivieren Sie Intel® Turbo Boost. Diese Option wird angezeigt, wenn die installierte CPU diese Einstellungen unterstützt.

[Enabled] Aktivieren Sie diese Funktion, um die CPU-Leistung automatisch zu erhöhen, wenn das System mehr Leistung benötigt.

[Disabled] Deaktivieren Sie diese Funktion.

**► Long Duration Power Limit (W) [Auto]**

Hier stellen Sie die TDP Leistungsgrenze für die CPU in Turbo Boost Modus ein.

**► Long Duration Maintained (s) [Auto]**

Hier stellen Sie den Zeitraum (ms) für die TDP Leistungsgrenze (W) ein.

**► Short Duration Power Limit (W) [Auto]**

Hier stellen Sie die TDP Leistungsgrenze für CPU in Turbo Boost Modus ein.

► **CPU Current limit (A) [Auto]**

Hier legen Sie die maximale Stromgrenze der CPU im Turbo Boost Modus fest. Wenn der Strom über den angegebenen Grenzwert steigt, verringert die CPU automatisch Core-Frequenz.

► **Internal VR OVP OCP Protection [Auto]**

Aktiviert oder deaktiviert Sie den Überspannungsschutz und Überstromschutz für den CPU internen Spannungsregulator (VR/ Voltage Regulator).

[Auto] Diese Einstellungen werden vom BIOS automatisch konfiguriert.

[Enabled] Legt die Spannungsbegrenzung der CPU internen VR für Überspannungsschutz und Überstromschutz.

[Disabled] Deaktivieren Sie diese Funktion zum Übertakten.

► **Internal VR Efficiency Management [Auto]**

Aktiviert oder deaktiviert das internen CPU-VR Effizienzmanagement.

[Auto] Diese Einstellungen werden vom BIOS automatisch konfiguriert.

[Enabled] Aktivierung des VR Effizienzmanagements für Energieersparnis.

[Disabled] Deaktivierung dieser Funktion.

# Français

Merci d'avoir choisi une carte mère ATX de la série Z97-G43 GAMING (MS-7816 v2.X). La série Z97-G43 GAMING est basée sur le chipset Intel® Z97 Express pour une efficacité optimale. Conçue pour fonctionner avec les processeurs Intel® LGA1150, les cartes mères de la série Z97-G43 GAMING délivrent de hautes performances et offrent une solution adaptée tant aux professionnels qu'aux particuliers.

## Spécifications

<b>Processeurs</b>	<ul style="list-style-type: none"> <li>■ Support 4ème et 5ème Génération Intel® Core™ Processeurs, et Intel® Pentium® et Celeron® Processeurs pour Socket LGA1150</li> </ul>
<b>Chipset</b>	<ul style="list-style-type: none"> <li>■ Chipset Intel® Z97 Express</li> </ul>
<b>Memory Support</b>	<ul style="list-style-type: none"> <li>■ 4x emplacements de mémoire DDR3 supportent jusqu'à 32GB</li> <li>■ Support DDR3 3000(OC)/ 2800(OC)/ 2666(OC)/ 2600(OC)/ 2400(OC)/ 2200(OC)/ 2133(OC)/ 2000(OC)/ 1866(OC)/ 1600/ 1333/ 1066 MHz</li> <li>■ Architecture mémoire double canal</li> <li>■ Support mémoire non-ECC, mémoire un-buffered</li> <li>■ Support Intel® Extreme Memory Profile (XMP)</li> </ul>
<b>Emplacement d'extension</b>	<ul style="list-style-type: none"> <li>■ 1x emplacement PCIe 3.0 x16, support jusqu'à la vitesse PCIe 3.0 x16</li> <li>■ 1x emplacement PCIe 2.0 x16, support jusqu'à la vitesse PCIe 2.0 x4</li> <li>■ 2x emplacements PCIe 2.0 x1</li> <li>■ 3x emplacements PCI</li> </ul>
<b>Graphiques intégrées</b>	<ul style="list-style-type: none"> <li>■ 1x port VGA, supportant une résolution maximum de 1920x1200 @ 60Hz</li> <li>■ 1x port HDMI®, supportant une résolution maximum de 4096x2160@24Hz, 24bpp/ 2560x1600@60Hz, 24bpp/ 1920x1080@60Hz, 36bpp</li> <li>■ 1x port DVI-D, supportant une résolution maximum de 1920x1200 @ 60Hz</li> </ul>
<b>Multi-GPU Support</b>	<ul style="list-style-type: none"> <li>■ Support 2-Way AMD CrossFire™ Technology*</li> </ul> <p>* Support Windows 7 et Windows 8/ 8.1</p>
<b>Stockage</b>	<ul style="list-style-type: none"> <li>■ Chipset Intel® Z97 Express               <ul style="list-style-type: none"> <li>- 6x ports SATA 6Gb/s (SATA1~6)</li> <li>- Support RAID 0, RAID1, RAID 5 et RAID 10</li> <li>- Support Intel® Smart Response Technology, Intel® Rapid Start Technology et Intel® Smart Connect Technology*</li> </ul> </li> </ul> <p>* Support Intel® Core processeurs dans Windows 7 et Windows 8/ 8.1</p>
<b>Audio</b>	<ul style="list-style-type: none"> <li>■ Realtek® ALC1150 Codec               <ul style="list-style-type: none"> <li>- 7.1-canal audio haute-définition</li> </ul> </li> </ul>
<b>USB</b>	<ul style="list-style-type: none"> <li>■ Chipset Intel Z97 Express               <ul style="list-style-type: none"> <li>- 4x ports USB 3.0 (2 ports sur le panneau arrière, 2 ports disponibles via les connecteurs USB 3.0 internes)</li> <li>- 10x USB 2.0 ports (6 ports sur le panneau arrière, 4 ports disponibles via les connecteurs USB 2.0 internes)</li> </ul> </li> </ul>

<b>LAN</b>	<ul style="list-style-type: none"> <li>■ 1x contrôleur Killer E2205 Gigabit LAN</li> <li>* Le Killer Network Manager n'est actuellement disponible que pour Windows 7 et Windows 8/ 8.1. Les pilotes pris en charge pour d'autres systèmes d'exploitation seront disponibles sur le site officiel s'ils sont fournis par le vendeur.</li> </ul>
<b>Connecteurs sur le panneau arrière</b>	<ul style="list-style-type: none"> <li>■ 1x port PS/2 combo clavier/ souris</li> <li>■ 6x ports USB 2.0</li> <li>■ 1x port HDMI</li> <li>■ 1x port VGA</li> <li>■ 1x port DVI-D</li> <li>■ 1x port LAN (RJ45)</li> <li>■ 2x ports USB 3.0</li> <li>■ 6x prises audio OFC</li> </ul>
<b>Connecteurs internes</b>	<ul style="list-style-type: none"> <li>■ 1x connecteur d'alimentation principal 24-pin ATX</li> <li>■ 1x connecteur d'alimentation 8-pin ATX 12V</li> <li>■ 6x connecteurs SATA</li> <li>■ 2x connecteurs USB 2.0 (support 4 autres ports USB 2.0)</li> <li>■ 1x connecteur USB 3.0 (support 2 autres ports USB 3.0)</li> <li>■ 2x connecteurs de ventilateur de CPU 4-pin</li> <li>■ 3x connecteurs de ventilateur de système 4-pin</li> <li>■ 1x cavalier d'effacement CMOS</li> <li>■ 1x connecteur audio avant</li> <li>■ 2x connecteurs de panneau système</li> <li>■ 1x connecteur de module TPM</li> <li>■ 1x connecteur de port série</li> <li>■ 1x connecteur de port parallèle</li> <li>■ 1x connecteur intrusion châssis</li> </ul>
<b>I/O Contrôleur</b>	<ul style="list-style-type: none"> <li>■ Chip contrôleur NUVOTON NCT6779</li> </ul>
<b>Moniteur de matériel</b>	<ul style="list-style-type: none"> <li>■ Détection de la température du CPU/ du système</li> <li>■ Détection de la vitesse du ventilateur du CPU/ du système</li> <li>■ Le contrôle de la vitesse du ventilateur du CPU/ du système</li> </ul>
<b>Fonctions BIOS</b>	<ul style="list-style-type: none"> <li>■ 64 Mb flash</li> <li>■ UEFI AMI BIOS</li> <li>■ ACPI 5.0, PnP 1.0a, SM BIOS 2.7, DMI 2.0</li> <li>■ Multi-langue</li> </ul>
<b>Fonctions spéciales</b>	<ul style="list-style-type: none"> <li>■ Military Class 4</li> <li>■ OC Genie 4</li> <li>■ CLICK BIOS 4</li> <li>■ All Solid CAPs</li> <li>■ AMD CrossFire</li> <li>■ PCI Express Gen 3</li> <li>■ Sound Blaster Cinema</li> <li>■ Smart Utilities</li> <li>■ USB 3.0</li> <li>■ SATA 6Gb/s</li> <li>■ Command Center</li> <li>■ Live Update</li> <li>■ M-Flash</li> </ul>

<b>Logiciel</b>	<ul style="list-style-type: none"> <li>■ Pilotes</li> <li>■ MSI <ul style="list-style-type: none"> <li>- Command Center</li> <li>- Super Charger</li> <li>- Smart Utilities</li> <li>- Live Update 6</li> <li>- Fast Boot</li> </ul> </li> <li>■ 7-ZIP</li> <li>■ Intel Extreme Tuning Utility</li> <li>■ Sound Blaster Cinema</li> <li>■ Norton Internet Security Solution</li> <li>■ Killer Network Manager</li> </ul>
<b>Dimension</b>	<ul style="list-style-type: none"> <li>■ Dimensions ATX</li> <li>■ 12.0 in. x 9.6 in. (30.5 cm x 24.4 cm)</li> </ul>

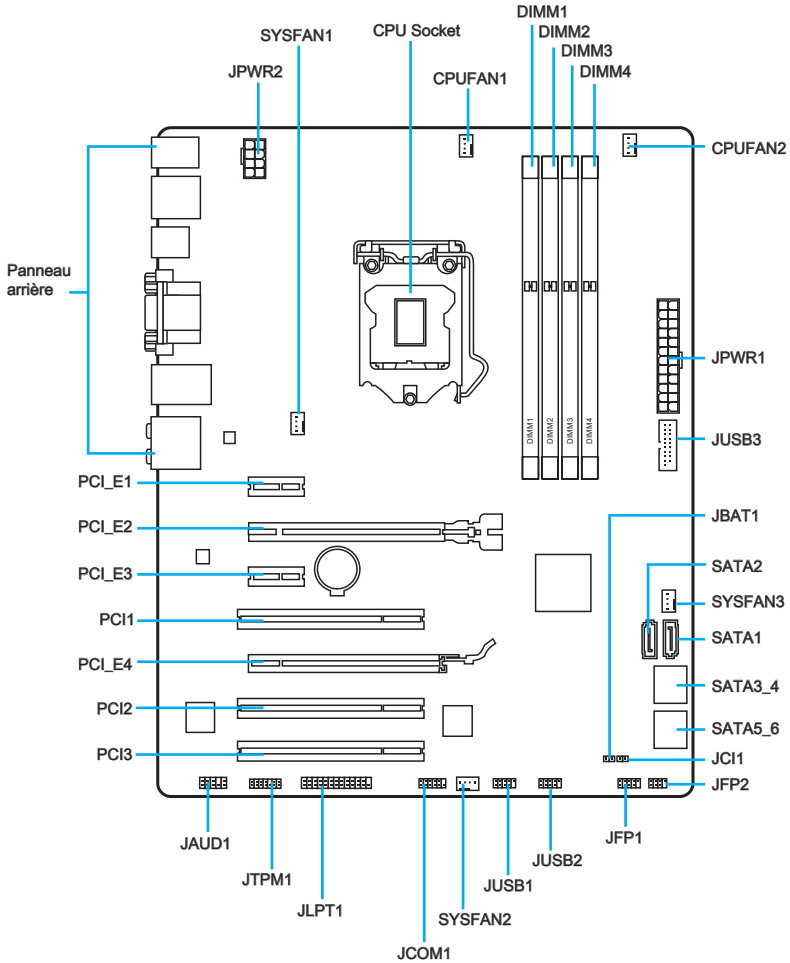


Pour plus d'information sur le CPU, veuillez visiter  
<http://www.msi.com/cpu-support/>



Pour plus d'information sur les composants compatibles, veuillez visiter  
<http://www.msi.com/test-report/>

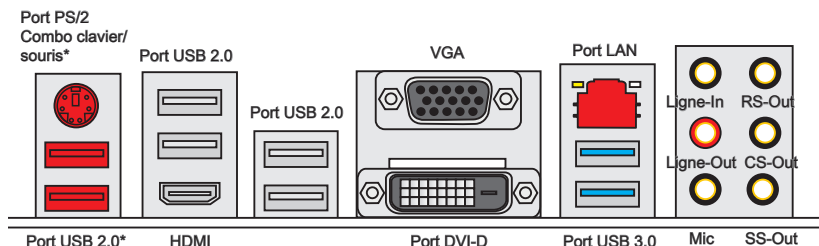
# Guide Rapide Des Connecteurs



## Guide référence des connecteurs

Noms de ports	Types des ports	Page
Panneau arrière	Ports I/O	Fr-7
CPU Socket	LGA1150 CPU Socket	Fr-10
CPUFAN1~2,SYSFAN1~3	Connecteurs d'alimentation de ventilateurs	Fr-19
DIMM1~4	Emplacements de mémoire DDR3	Fr-13
JAUD1	Connecteur audio avant	Fr-23
JBAT1	Cavalier d'effacement CMOS	Fr-24
JCI1	Connecteur intrusion châssis	Fr-22
JCOM1	Connecteur de port série	Fr-24
JFP1, JFP2	Connecteurs de panneau système	Fr-20
JLPT1	Connecteur de port parallèle	Fr-23
JPWR1~2	Connecteurs d'alimentation ATX	Fr-15
JTPM1	Connecteur de Module TPM	Fr-21
JUSB1~2	Connecteurs d'extension USB 2.0	Fr-21
JUSB3	Connecteur d'extension USB 3.0	Fr-21
PCI_E1~E4	Emplacements d'extension PCIe	Fr-16
PCI1~3	Emplacements d'extension PCI	Fr-16
SATA1~6	Connecteurs SATA	Fr-18

# Guide rapide du panneau arrière



## \* Ports pour périphérique de jeux.

### ► Port PS/2 combo clavier/ souris

Combinaison d'un connecteur souris / clavier DIN PS/2 pour une souris ou un clavier PS/2®.

### ► Port VGA

Le connecteur féminin de DB15-pin est fournit pour un moniteur.

### ► Port DVI-D

Le connecteur DVI-D (Digital Visual Interface- Digital) peut être relié à un moniteur via un adaptateur. Pour connecter un moniteur, veuillez vous référer au manuel pour plus d'information.

### ► Port HDMI **HDMI**<sup>®</sup> HIGH-DEFINITION MULTIMEDIA INTERFACE

Le High-Definition Multimedia Interface est une interface audio/vidéo tout-numérique, qui est capable de transmettre des flux décompressés. HDMI supporte toutes les formes de TV, y compris le standard, l'amélioré, ou les vidéos hautes définitions, plus l'audio numérique multicanal sur un simple câble.



### **Important**

Cette plate-forme supporte la fonction double-écran et triple-écran par les ports de sortie graphique intégrés.

	VGA+DVI-D	DVI-D+HDMI	HDMI+VGA	HDMI+VGA+DVI-D
Mode étendu (Etendre le PC sur un deuxième ou troisième moniteur)	○	○	○	○
Mode clone (Les moniteurs ont le même écran)	○	○	○	○

### ► Port USB 2.0

Le port USB 2.0 sert à brancher des périphériques USB 2.0 tels que le clavier, la souris, ou d'autres périphériques compatibles USB 2.0.

### ► Port USB 3.0

Le port USB 3.0 est rétro-compatible avec les périphériques USB 2.0. Il supporte un taux de transfert jusqu'à 5 Gbit/s (Super-Vitesse).

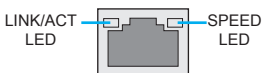


### **Important**

Si vous voulez installer un périphérique USB 3.0, vous devez vous connecter à un port USB 3.0. Si un câble USB est utilisé, il doit être compatible USB 3.0.

### ► Port LAN

La prise standard RJ-45 LAN sert à la connexion au réseau local (Local Area Network (LAN)).

	<b>LED</b>	<b>Etat de LED</b>	<b>Description</b>
	Link/ Activity LED (LED de lien/ activité)	Eteint	Non relié
		Jaune	Relié
		Cignote	Activité de donnée
	Speed LED (LED de vitesse)	Eteint	Débit de 10 Mbps
		Vert	Débit de 100 Mbps
Orange		Débit de 1 Gbps	

### ► Ports Audio

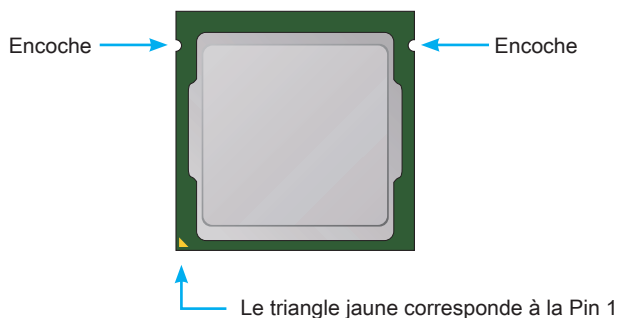
Ces connecteurs audio sont utilisés pour les périphériques audio.

- Ligne In : sert à connecter les périphériques externes de sortie audio.
- Ligne Out : est utilisé pour un haut-parleur ou un casque.
- Mic : est utilisé pour un microphone.
- RS-Out : Sortie audio haut-parleurs surround arrières en mode 4/ 5.1/ 7.1.
- CS-Out : Sortie audio centre / caisson de basse en mode 5.1/ 7.1.
- SS-Out : Sortie audio haut-parleurs surround de côté en mode 7.1.

## Processeur : CPU

### Introduction du LGA 1150 CPU

A la surface du CPU LGA 1150 vous noterez deux encoches et un triangle jaune servant à aligner le CPU dans la bonne position sur la carte mère. Le triangle jaune correspond à la Pin 1.



### **Important**

#### **Surchauffe**

La surchauffe endommage sérieusement le processeur et le système. Assurez-vous toujours que le système de refroidissement fonctionne correctement pour protéger le processeur de la surchauffe. Assurez-vous d'appliquer une couche de pâte thermique (ou adhésif thermique) entre le processeur et le système de refroidissement afin d'améliorer la dissipation de la chaleur.

#### **Remplacement du processeur**

Lorsque vous remplacez le processeur, commencez toujours par couper l'alimentation électrique du système et débranchez le cordon d'alimentation de la prise pour garantir la sécurité du processeur.

#### **Overclocking**

Cette carte mère supporte l'overclocking. Néanmoins, veuillez vous assurer que vos composants soient capables de tolérer l'overclocking. Toutefois l'utilisation au delà des spécifications constructeur n'est pas recommandé. Nous ne garantissons pas les dommages et risques causés par les utilisations non prévues dans les spécifications du produit.

## Installation du CPU et son ventilateur

Quand vous installez un CPU, assurez-vous toujours que le CPU soit équipé d'un ventilateur, qui est nécessaire pour éviter la surchauffe et maintenir la stabilité. Suivez les instructions suivantes pour installer le CPU et son ventilateur correctement. Une installation incorrecte peut endommager votre CPU et la carte mère.



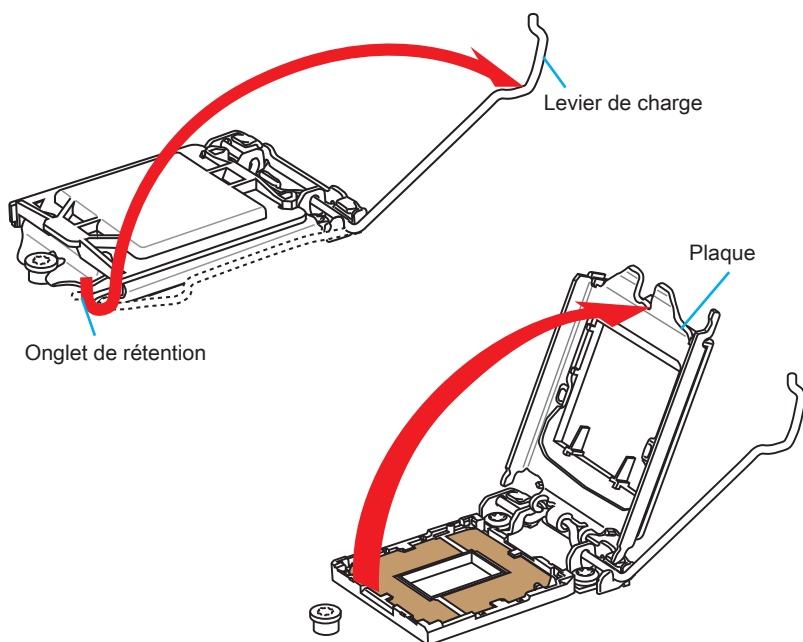
### *Démonstration de vidéo*

Voir le vidéo d'installation du CPU et de son ventilateur sur le site ci-dessous.

<http://youtu.be/bf5La099url>



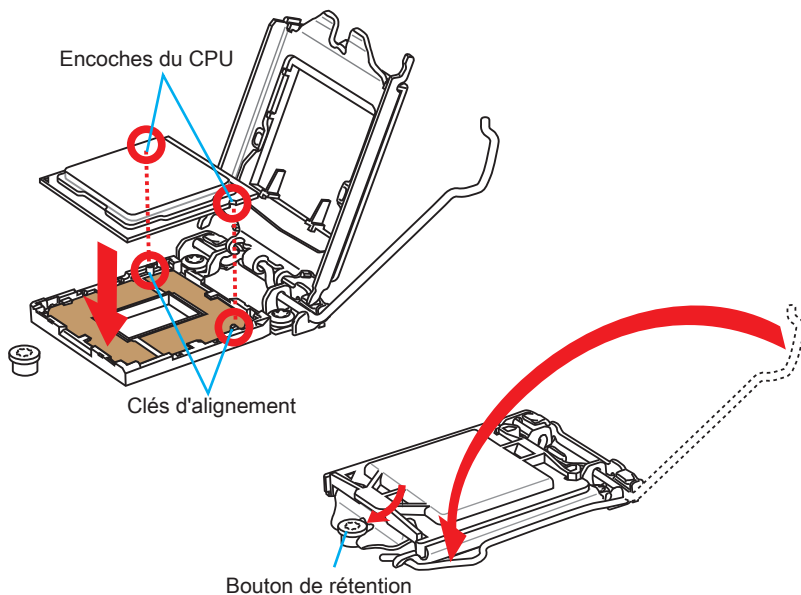
1. Poussez le levier de charge vers le bas pour le détacher et levez jusqu'à la position complètement ouverte.
2. La plaque se lève automatiquement lorsque le levier est levé à la position complètement ouverte.



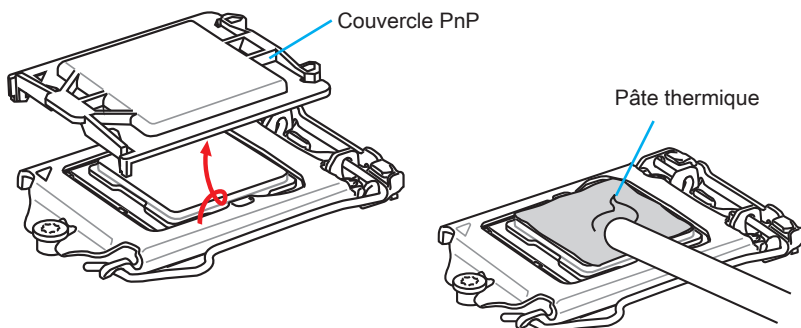
### **Important**

Ne pas toucher les contacts du socket ou l'envers du CPU.

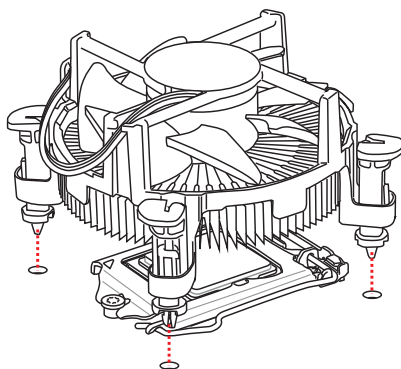
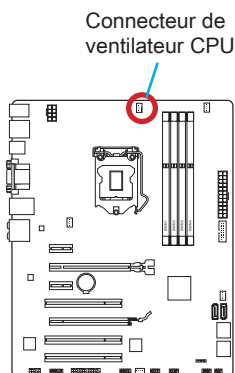
- Alignez les encoches et les clés d'alignement du socket. Abaissez le CPU en ligne droite, évitez de faire basculer ou glisser le CPU dans l'emplacement. Vérifiez qu'il est bien installé dans la bonne direction.
- Fermez et glissez la plaque de charge sous le bouton de rétention. Fermez et engagez le levier de charge.



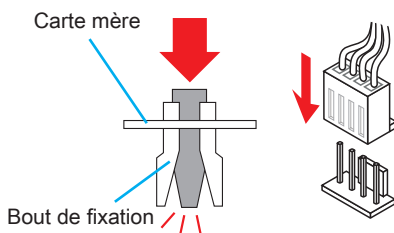
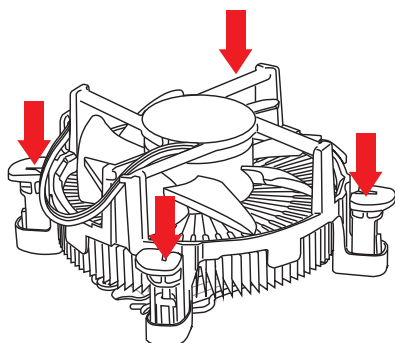
- Quand vous poussez le levier, le couvercle PnP surgit automatiquement de l'emplacement du CPU. Ne pas jeter le couvercle PnP. Toujours replacez le couvercle PnP si le CPU est enlevée de son emplacement.
- Appliquez une couche de pâte thermique (ou d'adhésif thermique) sur le dessus du CPU. Cela aide la dissipation de chaleur et prévient la surchauffe du CPU.



7. Localisez le connecteur du ventilateur CPU sur la carte mère.
8. Placez le ventilateur sur la carte mère avec son câble face au connecteur du ventilateur. Les éléments de fixation doivent correspondre aux trous sur la carte.



9. Appuyez sur le ventilateur jusqu'à ce que les quatre éléments de fixation se coincent dans les trous de la carte mère. Appuyez sur les quatre éléments de fixation pour fixer le ventilateur. Lorsque tous les quatre sont bien en position, vous devez entendre un clic.
10. Inspectez la carte mère pour vous assurer que les bouts des éléments de fixation sont bien verrouillés en position.
11. Finalement, reliez le câble du ventilateur de CPU au connecteur sur la carte mère.

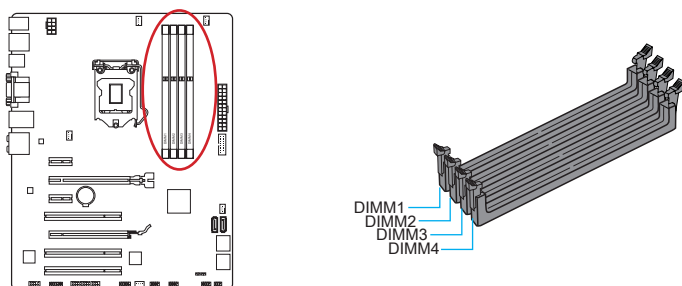


### **Important**

- Vérifiez que le ventilateur de CPU est bien attaché sur le CPU avant de démarrer votre système.
- Quand le CPU n'est pas installé, toujours protégez les broches de l'emplacement du CPU avec le couvercle recouvrant l'emplacement.
- Si vous avez acheté un CPU avec son ventilateur séparé, veuillez vous référer à la documentation dans le paquet du ventilateur pour plus d'information d'installation.

# Mémoire

Ces emplacements DIMM sont destinés à installer les modules de mémoire.



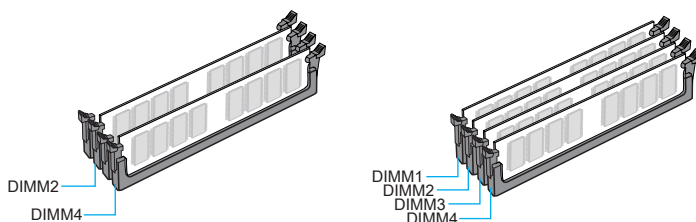
## *Démonstration de vidéo*

Voir le vidéo sur l'installation des mémoires sur le site ci-dessous.  
<http://youtu.be/76yLtJaKICQ>



## Règle de population en mode double canal

En mode de double canal, les modules de mémoire peuvent transmettre et recevoir simultanément deux lignes de données. L'activation du mode double canal peut améliorer les performances du système. Veuillez vous reporter aux illustrations suivantes pour connaître les règles de population en mode double canal.



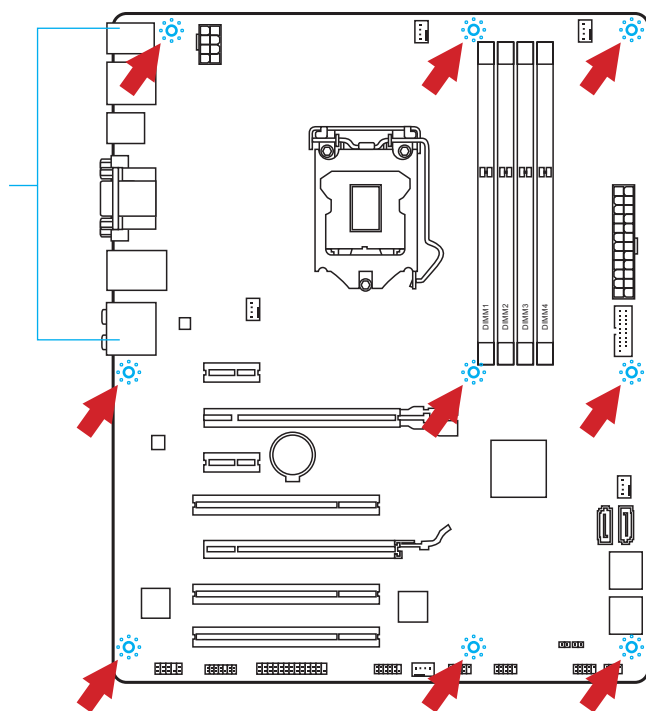
## *Important*

- Les modules de mémoire DDR3 ne sont pas interchangeables avec les modules DDR2. Vous devez toujours installer les modules de mémoire DDR3 dans les emplacements DDR3 DIMM.
- Pour garantir la stabilité du système, assurez-vous d'installer les modules de mémoire du même type et de la même densité en mode double canal.
- A cause des ressources utilisées par le chipset, le système ne détectera que jusqu'à 31+GB (non 32GB plein) lorsque tous les emplacements DIMM sont installés avec des modules de mémoire de 8GB.

## Trous Taraudés de Montage

Avant d'installer votre carte mère, il faut d'abord installer les socles de montage nécessaires sur le plateau de montage du boîtier de l'ordinateur. Si le boîtier de l'ordinateur est accompagné par un panneau Entrée/ Sortie arrière, veuillez le remplacer et utiliser celui qui est fourni dans la boîte de la carte. Le panneau Entrée/ Sortie arrière doit se fixer facilement dans le boîtier sans recourir à des vis. Alignez les socles de montage du plateau avec les trous taraudés de la carte mère et sécurisez la carte mère avec les vis fournies avec le boîtier de l'ordinateur. L'emplacement des trous taraudés de la carte est montrée ci-dessous. Pour plus d'information, veuillez vous référer au manuel de votre boîtier ordinateur.

Les ports Entrée/ Sortie doivent être vers l'arrière du boîtier. Ils doivent s'aligner avec les trous du panneau Entrée/ Sortie arrière.



### **Important**

- Installez la carte mère sur une surface plate et propre.
- Pour prévenir tous dommages à la carte mère, veillez à n'avoir aucun contact entre la carte mère et le boîtier de l'ordinateur hormis les socles de montage.
- Veuillez vous assurer qu'il n'y pas de composant en métal mis sur la carte ou dans le boîtier de l'ordinateur qui entraînerait un court circuit à la carte mère.

## Connecteurs d'alimentation



### Démonstration de vidéo

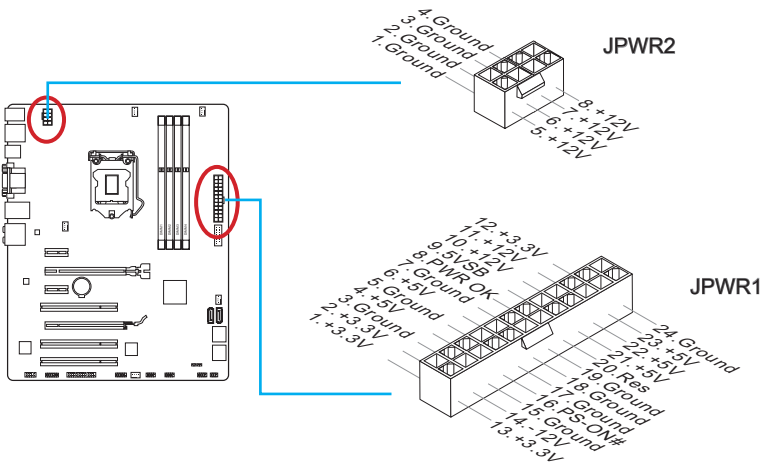
Voir le vidéo sur l'installation des connecteurs d'alimentation sur le site ci-dessous.

[http://youtu.be/gkDYyR\\_83I4](http://youtu.be/gkDYyR_83I4)



### JPWR1~2 : Connecteur d'alimentation ATX

Ce connecteur vous permet de relier une alimentation ATX. Pour cela, alignez le câble d'alimentation avec le connecteur et appuyez fermement le câble dans le connecteur. Si ceci est bien fait, la pince sur le câble d'alimentation doit être accrochée sur le connecteur d'alimentation de la carte mère.



### Important

Veillez vous assurer que tous les connecteurs sont connectés aux bonnes alimentations ATX afin garantir une opération stable de la carte mère.

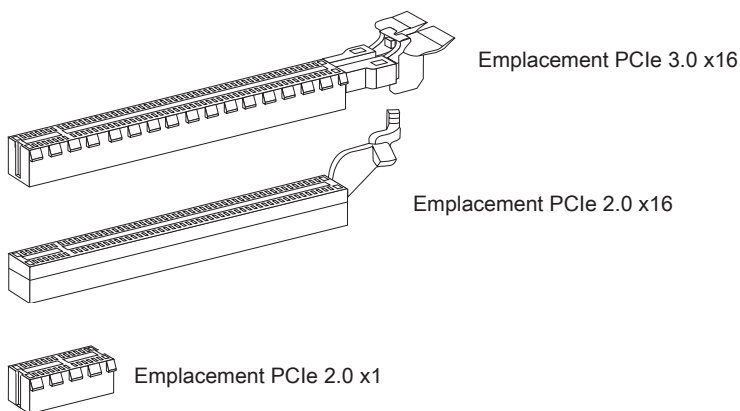
## Emplacements d'extension

---

Cette carte mère contient de nombreux ports pour les cartes d'extension, tels que les cartes graphiques ou les cartes audio.

### PCI\_E1~E4 : Emplacement d'extension PCIe

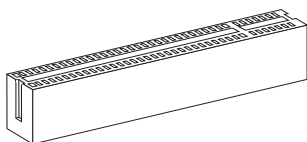
L'emplacement PCIe supporte l'interface de carte d'extension PCIe.



---

### PCI1~3 : Emplacement d'extension PCI

L'emplacement PCI supporte la carte LAN, la carte SCSI, la carte USB et d'autres cartes ajoutées qui sont compatibles avec les spécifications de PCI.



### **Important**

Lorsque vous ajoutez ou retirez une carte d'extension, assurez-vous que le PC n'est pas relié au secteur. Lisez la documentation pour faire les configurations nécessaires du matériel ou logiciel ajoutés.

## Cartes Vidéo/ Graphics

---

La carte mère peut utiliser la partie graphique intégrée au processeur, mais peut également utiliser une carte vidéo distincte installée sur un port d'extension de la carte mère. Une ou plusieurs cartes vidéo ajoutées peuvent améliorer fortement la performance graphique du système. Pour une compatibilité parfaite, nous vous recommandons d'utiliser des cartes graphiques MSI.



### *Démonstration de vidéo*

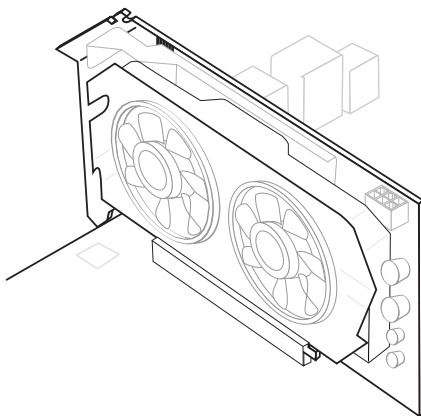
Voir la vidéo sur l'installation d'une carte graphique dans l'emplacement PCIe x16 avec verrou papillon sur le site ci-dessous.

[http://youtu.be/mG0GZpr9w\\_A](http://youtu.be/mG0GZpr9w_A)



### Installation de simple carte vidéo

1. Déterminez quelle sorte d'emplacement(s) d'extension la carte vidéo utilisera. Localisez l'emplacement(s) d'extension sur la carte mère. Otez les caches de protection correspondants à cet emplacement du boîtier de l'ordinateur.
2. Alignez la carte vidéo sur le haut de l'emplacement d'extension, les sorties vidéo de la carte graphique orientés vers l'extérieur du boîtier de l'ordinateur. En cas d'une seule carte vidéo, il est recommandé d'utiliser l'emplacement PCI\_E2.
3. Poussez la carte vidéo dans l'emplacement d'extension. Selon l'emplacement(s) d'extension utilisé, il doit y avoir des pinces sur l'emplacement(s) d'extension qui se verrouillent en place.
4. S'il est nécessaire, vissez l'équerre de la carte graphique au boîtier de l'ordinateur. Certaines cartes vidéo exigent un câble venant directement de l'alimentation.
5. Veuillez consulter le manuel de votre carte graphique pour plus d'instructions concernant l'installation des pilotes ou d'autres réglages spécifiques.



## Connecteurs internes

### SATA1~6 : Connecteurs SATA

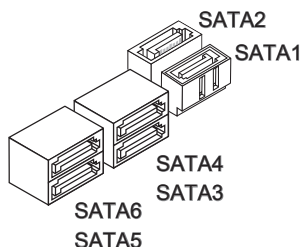
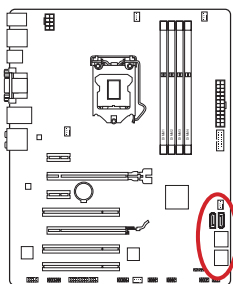
Ce connecteur est un port d'interface SATA haut débit. Chaque connecteur peut être relié à un appareil SATA. Les appareils SATA sont des disques durs (HDD), disque état solide (SSD), et lecteurs optiques (CD / DVD / Blu-Ray).



#### *Démonstration de vidéo*

Voir le vidéo sur l'installation d'un SATA HDD.

<http://youtu.be/RZsMpqxythc>

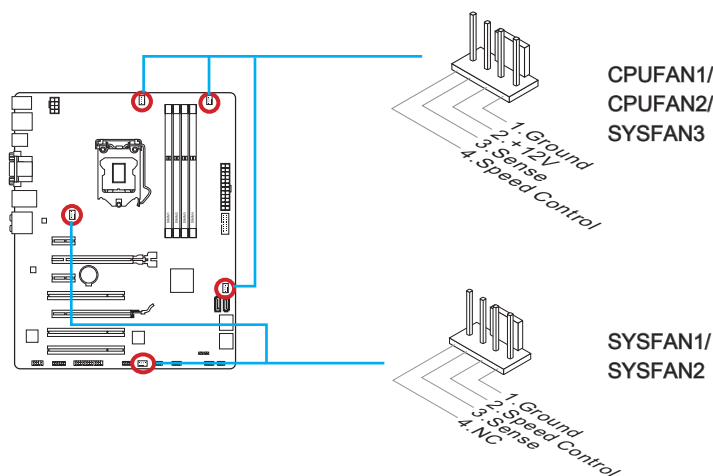


#### **Important**

- De nombreux périphériques Sérial ATA ont besoin d'un câble d'alimentation. Ce type de périphériques comprend les disques durs (HDD), les disque état solide (SSD), et les périphériques optiques (CD / DVD / Blu-Ray). Veuillez vous référer au manuel des périphériques pour plus d'information.
- Dans la plupart des boîtiers d'ordinateur, il est nécessaire de fixer les périphériques SATA, tels que HDD, SSD, et lecteur optique au boîtier. Référez-vous au manuel de votre boîtier ou de votre périphérique SATA pour plus d'instructions d'installation.
- Veuillez ne pas plier le câble de Sérial ATA à 90°. Autrement il entraînerait une perte de données pendant la transmission.
- Les câbles SATA en ont des prises identiques sur chaque côté. Néanmoins, il est recommandé de connecter la prise plate sur la carte mère pour un gain d'espace.

## CPUFAN1~2, SYSFAN1~3 : Connecteur d'alimentation du ventilateur

Les connecteurs d'alimentation du ventilateur supportent les ventilateurs de type +12V. Si la carte mère est équipée d'un moniteur du matériel système intégré, vous devrez utiliser un ventilateur spécial pourvu d'un capteur de vitesse afin de contrôler le ventilateur de l'unité centrale. N'oubliez pas de connecter tous les ventilateurs. Certains ventilateurs de système se connectent directement à l'alimentation au lieu de se connecter à la carte mère. Un ventilateur de système peut être relié à n'importe quel connecteur de ventilateur système.



### **Important**

- Veuillez vous référer au site officiel de votre processeur ou consulter votre vendeur pour trouver ventilateurs de refroidissement CPU recommandés.
- Ces connecteurs supportent le contrôle Smart fan avec le mode liner. Vous pouvez installer l'utilitaire Command Center qui contrôlera automatiquement la vitesse du ventilateur en fonction de la température actuelle.
- S'il n'y pas assez de ports sur la carte mère pour connecter tous les ventilateurs du système, des adaptateurs sont disponibles pour connecter directement un ventilateur à l'alimentation du boîtier.
- Avant le premier démarrage, assurez-vous qu'aucune câble n'endommage les lames de ventilateurs.

## JFP1, JFP2 : Connecteur panneau système

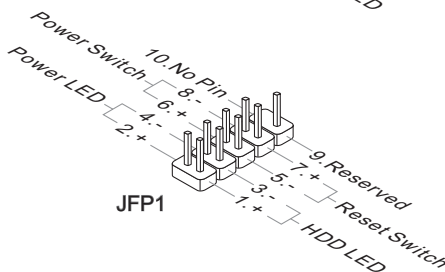
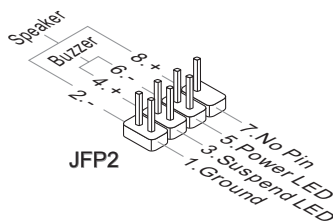
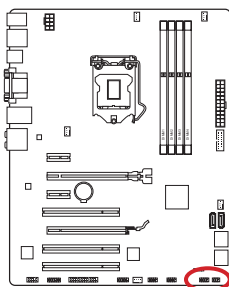
Ces connecteurs se connectent aux interrupteurs et LEDs du panneau avant. Le JFP1 est conforme au guide de conception de la connectivité Entrée/sortie du panneau avant Intel®. Lors de l'installation des connecteurs du panneau avant, veuillez utiliser le M-Connector en option afin de vous simplifier l'installation. Connectez tous les fils du boîtier à M-Connector et puis connectez le M-Connector à la carte mère.



### Démonstration de vidéo

Voir le vidéo pour l'installation des connecteurs du panneau avant.

<http://youtu.be/DPELIdVNZUI>

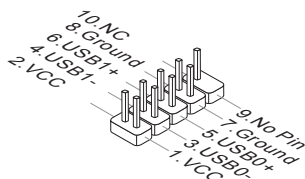
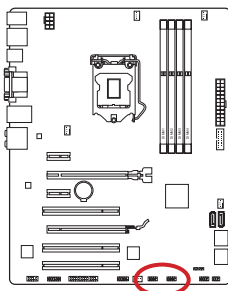


### Important

- Sur les branchements du boîtiers, les broches marquées par de petits triangles sont des fils positifs. Veuillez utiliser les diagrammes ci-dessus et l'explication relative au M-Connector en option pour déterminer la bonne orientation et la position des connecteurs.
- La majorité des connecteurs sur le panneau avant du boîtier d'ordinateur sont connectés au JFP1 à l'origine.

## JUSB1~2 : Connecteurs d'extension USB 2.0

Ce connecteur est destiné à connecter les périphériques USB haute vitesse tels que les disques durs USB, les appareils photo numériques, les lecteurs MP3, les imprimantes, les modems et les appareils similaires.

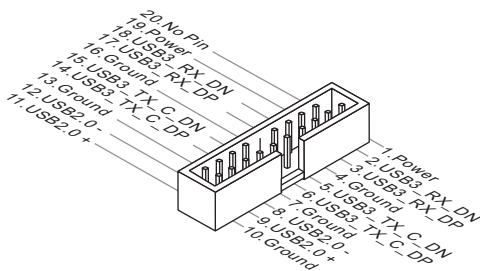
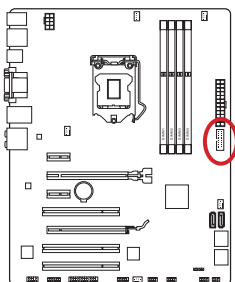


**Important**

Notez que les pins VCC et GND doivent être branchées correctement afin d'éviter tout dommage possible.

## JUSB3 : Connecteurs d'extension USB 3.0

Le port USB 3.0 est rétro-compatible avec les périphériques USB 2.0. Il supporte un taux de transfert jusqu'à 5 Gbit/s (Super-Vitesse).

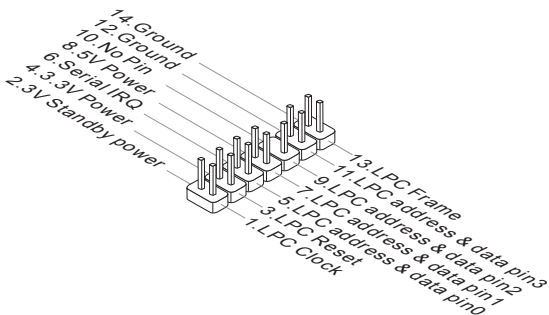
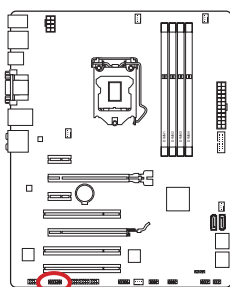


**Important**

- Notez que les pins de VCC et GND doivent être branchées correctement afin d'éviter tout dommage possible.
- Si vous voulez utiliser un périphérique USB 3.0, il faut utiliser une câble USB 3.0.

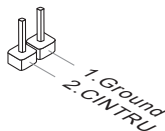
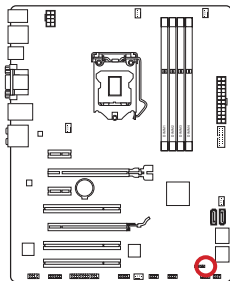
## JTPM1 : Connecteur de Module TPM

Ce connecteur est relié à un module TPM (Trusted Platform Module) en option.  
Veuillez vous référer au manuel du module TPM pour plus d'information détaillée.



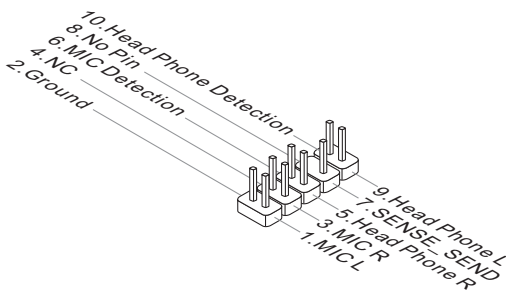
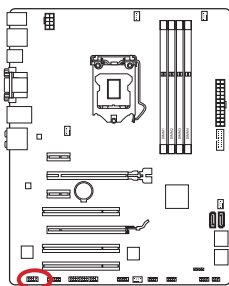
## JCI1 : Connecteur Intrusion Châssis

Ce connecteur est relié à un câble d'interrupteur intrusion châssis. Si le châssis est ouvert, l'interrupteur en informera le système, qui enregistrera ce statut et affichera un écran d'alerte. Pour effacer ce message d'alerte, vous devez entrer dans le BIOS et désactiver l'alerte.



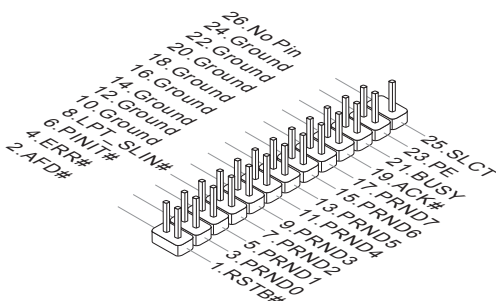
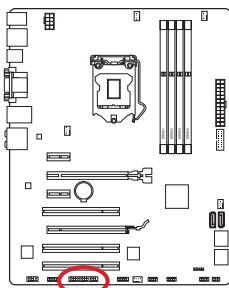
## JAUD1 : Connecteur audio panneau avant

Ce connecteur vous permet de connecter un audio sur le panneau avant. Il est conforme au guide de conception de la connectivité Entrée/sortie du panneau avant Intel®.



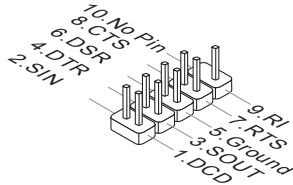
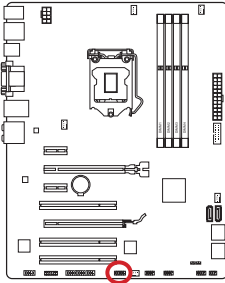
## JLPT1 : Connecteur de port Parallèle

Ce connecteur sert à connecter un support de port parallèle optionnel. Le port parallèle est un port d'imprimante standard qui supporte les modes Enhanced Parallel Port (EPP) et Extended Capabilities Parallel Port (ECP).



## JCOM1 : Connecteur de port Sérial

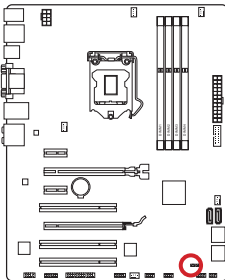
Le port serial est un port de communications de haute vitesse de 16550A, qui envoie/reçoit 16 bytes FIFOs. Vous pouvez attacher un périphérique sérial.



## Cavaliers

### JBAT1 : Cavalier d'effacement CMOS

Il y a un CMOS RAM intégré, qui est alimenté par une batterie externe située sur la carte mère, destiné à conserver les données de configuration du système. Avec le CMOS RAM, le système peut lancer automatiquement le système d'exploitation chaque fois qu'il est allumé. Si vous souhaitez effacer la configuration du système, réglez le cavalier pour effacer CMOS RAM.



Conservé les données



Effacer les données



### **Important**

Vous pouvez effacer le CMOS RAM en connectant ce cavalier quand le système est éteint. Ensuite, ouvrez le cavalier. Evitez d'effacer le CMOS pendant que le système est allumé; cela endommagerait la carte mère.

## Pilotes et Utilitaires

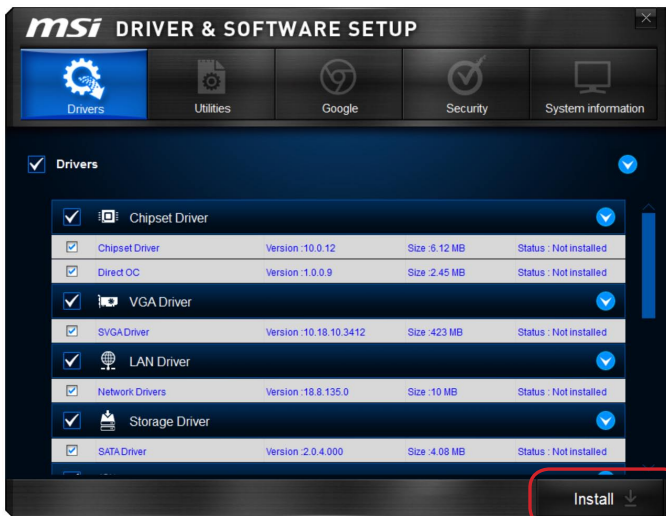
Après l'installation du système d'exploitation, il faut installer des pilotes pour maximiser les performances de l'ordinateur. La carte mère MSI est dotée d'un disque de pilotes. Ces pilotes permettent à l'ordinateur d'employer la carte mère plus efficacement et de bien développer les fonctions fournies.

Vous pouvez protéger votre ordinateur des virus par l'installaton des programmes de sécurité empaquetés. Le paquet comprend aussi une variété d'utilitaires puissants et créatifs.

### Installation de pilotes/ utilitaires

Veillez suivre les étapes suivantes pour installer les pilotes et les utilitaires pour votre ordinateur neuf.

1. Insérez le disque de pilote MSI dans le lecteur optique. L'écran de réglages apparaît automatiquement si l'autorun est activé dans le système d'exploitation.
2. Cliquez sur Total Installer. Une boîte de dialogue surgit et affiche tous les pilotes nécessaires.
3. Cliquez sur le bouton **Install**.



Cliquez ici

4. L'installation des logiciels sera en cours. Une fois terminé, il vous rappellera de redémarrer.
5. Cliquez sur le bouton **OK** pour terminer.
6. Redémarrez votre ordinateur.

Vous pouvez installer les utilitaires de la même façon.

## Configuration BIOS

CLICK BIOS est développé par MSI qui fournit une interface graphique utilisateur pour régler les paramètres du BIOS à l'aide de la souris et du clavier.

Avec CLICK BIOS, vous pouvez modifier les réglages BIOS, surveiller la température du CPU, choisir la priorité de périphérique démarrage et voir les informations du système tel que le nom du CPU, la capacité DRAM, la version du système d'exploitation et du BIOS. Vous pouvez importer et exporter les données de paramétrages pour les sauvegarder et les partager avec vos amis.

### Entrer dans le réglage BIOS

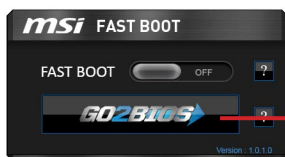
Allumez l'ordinateur et le système lancera le processus POST (Test automatique d'allumage). Lorsque le message ci-dessous apparaît à l'écran, appuyez sur la touche <DEL> pour entrer dans le Réglage:

**Press DEL to run enter BIOS setup, or F11 to run Boot Menu**

**(Appuyez sur DEL pour entrer dans le BIOS, ou F11 dans le menu Démarrage)**

Si le message disparaît avant que vous ne répondez et que vous souhaitez encore entrer dans le BIOS, redémarrez le système en éteignant puis en rallumant en appuyant sur le bouton RESET (Réinitialiser). Vous pouvez également redémarrer le système en appuyant simultanément sur les touches <Ctrl>, <Alt>, et <Delete>.

MSI fournit deux façons supplémentaires pour entrer dans la configuration BIOS. Vous pouvez cliquer sur l'onglet "GO2BIOS" à l'écran d'utilitaire "MSI Fast Boot" ou appuyez sur le bouton "GO2BIOS" physique (en option) sur la carte mère pour permettre au système d'aller dans la configuration BIOS directement au prochain démarrage.



Cliquez sur l'onglet "GO2BIOS" depuis l'écran d'utilitaire "MSI Fast Boot."

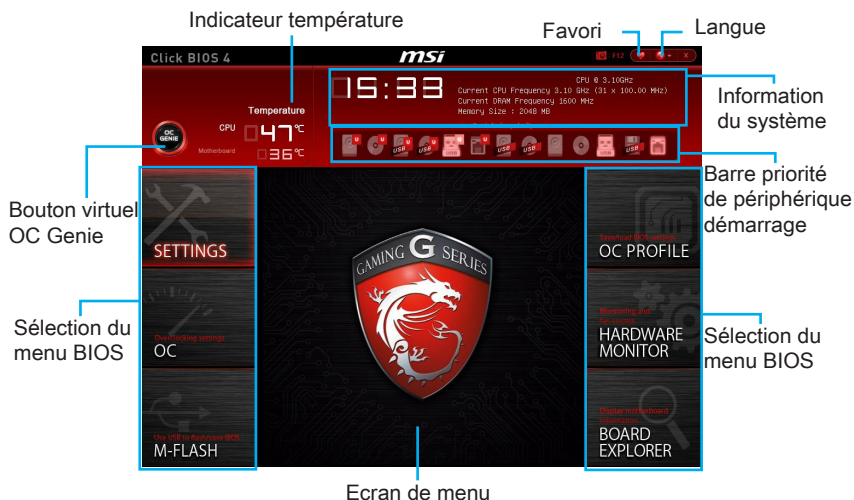


### **Important**

- Veuillez vous assurer d'avoir installé l'utilitaire "MSI Fast Boot" avant d'utiliser le service pour accéder à la configuration du BIOS.
- Les menus du BIOS décrits ici sont mis à jour régulièrement. La description ci-dessous peut donc être légèrement différente et ne doit être considérée que comme une référence.

## Vue d'ensemble

Entrer CLICK BIOS II, il apparaît l'écran suivant.



### ► Sélection du menu BIOS

Les options suivantes sont disponibles :

- **SETTINGS** - Utilisez ce menu pour spécifier vos réglages du chipset et des périphériques de démarrage.
- **OC** - Ce menu permet l'ajustement des fréquences et des tensions. L'augmentation de la fréquence permettra de meilleures performances, néanmoins une haute fréquence, produit plus de chaleur et pourrait entraîner une instabilité, nous déconseillons aux utilisateurs non initiés d'overclocker.
- **M-FLASH** - Ce menu fournit la méthode pour mettre à jour le BIOS avec un disque flash USB.
- **OC PROFILE** - Ce menu sert à régler divers profils d'overclocking.
- **HARDWARE MONITOR** - Ce menu permet de régler la vitesse des ventilateurs et de surveiller les tensions du système.
- **BOARD EXPLORER** - Il fournit les informations relatives aux périphériques installés sur la carte mère.

### ► Bouton OC Genie virtuel

Activer ou désactiver la fonction OC Genie en cliquant sur ce bouton. Lorsqu'il est activé, le bouton s'allume. Activer la fonction OC Genie peut automatiquement overclocker avec le profil d'overclocking optimisé MSI.



*Il est conseillé de ne faire aucune modification au menu OC ni de charger les valeurs par défaut après l'activation de la fonction OC Genie.*

### ► Ecran de menu

Cette zone fournit les réglages BIOS et les informations qui permettent de changer les paramètres.

### ► Barre priorité de périphérique démarrage

Bougez les icônes des périphériques pour changer la priorité au démarrage.



Haute priorité → Basse priorité

### ► Information du système

Cette partie affiche l'heure, la date, le nom du CPU, la fréquence CPU, la fréquence DRAM, la capacité DRAM et la version BIOS.

### ► Langue

Ce menu vous permet de choisir la langue du réglage BIOS.

### ► Indicateur température

Cette partie affiche la température du processeur et de la carte mère.


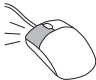

### ► Favori

Ceci vous permet de créer un menu BIOS personnalisé où vous pouvez sauvegarder et accéder dans les menus favoris et utilisés fréquemment.

- **Default HomePage** - Ceci vous permet de sélectionner un menu BIOS (e.g. Réglages, OC..., etc) et le configurer comme la page principale du BIOS.
- **Favorite1~5** - Ceci vous permet d'ajouter les menus favoris et utilisés fréquemment sur une page unique.

## Opération

Vous pouvez contrôler le réglage BIOS avec la souris et le clavier. La liste ci-dessous décrit les opérations des touches raccourcis et de la souris.

Touches	Souris	Description
<↑↓→←>	 Choisir un champ	Choisir un article
<Enter>	 Cliquer/ Double-cliquer le bouton gauche	Choisir une icône/ un domaine
<Esc>	 Cliquer le bouton droite	Retourner au menu Exit ou revenir à la page précédente d'un sous-menu
<+>	X	Augmenter la valeur numérique ou faire un changement
<->		Diminuer la valeur numérique ou faire un changement
<F1>		Aide générale
<F2>		Assistant de favoris
<F3>		Saisir les menus favoris
<F4>		CPU Spécifications
<F5>		Entrer dans Memory-Z
<F6>		Charger les réglages optimaux par défaut
<F8>		Charger les profils OC de USB
<F9>		Conserver les profils OC à USB
<F10>		Conserver les changement et réinitialiser
<F12>		Conserver une capture d'écran sur un lecteur USB FAT/FAT32

## OC Menu

Ce menu est destiné aux utilisateur avancés souhaitant overclocker la carte mère.



### **Important**

- L'Overclocking manuel du PC n'est recommandé que pour les utilisateurs avancés.
- L'Overclocking n'est pas garanti, et une mauvaise manipulation peut invalider votre garantie et endommager sévèrement votre matériel.
- Si vous n'êtes pas familier avec l'overclocking, nous recommandons d'utiliser OC Genie pour un overclocking simplifié et plus stable.

#### ► Simple/Advanced Mode [Simple]

Active ou désactive les réglages OC avancés dans le BIOS.

[Simple] Fournit les réglages OC réguliers dans le BIOS.

[Advanced] Fournit les réglages OC avancés pour expert de configurer dans le BIOS.

Nota : Le symbole \* signifie le mode avancé des réglages OC.

#### < Réglages CPU >

##### ► Adjust CPU Ratio [Auto]

Définit le ratio CPU qui sert à déterminer la vitesse d'horloge CPU. Ce menu peut être modifié uniquement si le CPU prend cette fonction en charge.

##### ► Adjusted CPU Frequency

Montre la fréquence ajustée du CPU. En lecture seule.

##### ► Adjust Ring Ratio [Auto]

Définit le ratio ring. La gamme de valeurs validée dépend du CPU installé.

##### ► Adjusted Ring Frequency

Montre la fréquence ajustée Ring. En lecture seule.

##### ► Adjust GT Ratio [Auto]

Définit le ratio graphique intégré. La gamme de valeurs validée dépend du CPU installé.

► **Adjusted GT Frequency**

Affiche la fréquence graphique intégrée. En lecture seule.

< **Réglages CPU BCLK** >

► **CPU Base Clock (MHz) [Default]**

Définit le base clock CPU. Vous pouvez overclocker le CPU en ajustant sa valeur. Veuillez noter que le comportement d'overclocking n'est pas garanti. Ce menu apparaît quand le processeur installé prend cette fonction en charge.

< **Réglages DRAM** >

► **DRAM Reference Clock [Auto]\***

Définit l'horloge de référence DRAM. La gamme de valeur validée dépend du CPU installé. Ce menu n'apparaît qu'avec un CPU prenant en charge cet ajustement.

► **DRAM Frequency [Auto]**

Définit la fréquence DRAM. Veuillez noter que le comportement d'overclocking n'est pas garanti.

► **Adjusted DRAM Frequency**

Montre la fréquence ajustée DRAM. En lecture seule.

► **DRAM Timing Mode [Auto]**

Choisit le mode de latences mémoire.

[Auto] DRAM timings sera déterminé selon le SPD (Serial Presence Detect) des modules de mémoire installés.

[Link] Ceci vous permet de configurer les latences DRAM manuellement pour tous les canaux de mémoire.

[UnLink] Ceci vous permet de configurer les latences DRAM manuellement pour chaque canal de mémoire.

► **Advanced DRAM Configuration**

Appuyez sur <Enter> pour entrer dans le sous-menu. Ce sous-menu est activé par le réglage en [Link] ou [Unlink] dans "DRAM Timing Mode". L'utilisateur peut régler la synchronisation de mémoire pour chaque canal de mémoire. Le système peut être instable ou ne peut plus redémarrer après le changement de la synchronisation de la mémoire. Dans ce cas-là, veuillez effacer les données CMOS et remettre le réglage par défaut. (Se référer à l'interrupteur/ au bouton Clear CMOS pour effacer les données CMOS, et entrer dans le BIOS pour charger les réglages par défaut.)

► **Memory Fast Boot [Auto]**

Active ou désactive l'initialisation et le test de la mémoire à chaque démarrage.

[Auto] Ce réglage est automatiquement configuré par le BIOS.

[Enabled] La mémoire imitera complètement l'archive de la première initiation et de la première formation. La mémoire n'est ensuite plus initialisée ni testée au moment du démarrage, de façon à accélérer le démarrage du système.

[Disabled] La mémoire est initialisée et testée à chaque démarrage.

< **Réglages de tensions** >

► **DigitALL Power**

Appuyez sur <Enter> pour entrer dans le sous-menu. Contrôle l'alimentation numérique pour CPU PWM.

#### ► VR 12VIN OCP Expander [Auto]

Étendre la limitation de VR Over Current Protection avec la tension d'entrée de 12V. La valeur d'extension plus haute signifie moins de protection. Par conséquent, veuillez ajuster le courant soigneusement en cas nécessaire, ou ceci endommagerait le CPU/ VR MOS. Mis en "Auto", le BIOS configure ce réglages automatiquement.

#### ► CPU Phase Control [Auto]

Contrôle la phase PWM proportionnement à la charge du CPU. En "Auto", optimise automatiquement la phase CPU PWM.

[Auto] Ce réglage est configuré automatiquement par le BIOS.

[Normal] Définit le profil de phase d'alimentation normal pour le CPU. Il peut fournir une performance stable de système et la capacité d'économie d'énergie efficace.

[Optimized] Définit le profil de phase d'alimentation optimum pour le CPU. Il peut fournir au système une capacité d'économie d'énergie optimum.

[Disabled] Désactive la fonction de changement de phase d'alimentation PWM.

#### ► CPU Vdroop Offset Control [Auto]

Définit un pourcentage de la tension de décalage pour CPU vdroop. En "Auto", le BIOS configure automatiquement ce réglage.

#### ► CPU Over Voltage Protection [Auto]

Définit une limite de tension pour la protection contre la surtension du CPU. En "Auto", le BIOS configure automatiquement ce réglage. Une tension plus élevé protège moins et peut endommager le système.

#### ► CPU Under Voltage Protection [Auto]

Définit une limite de tension pour la protection contre la sous-tension du CPU. En "Auto", le BIOS configure automatiquement ce réglage. Une tension plus élevée protège moins et peut endommager le système.

#### ► CPU Over Current Protection [Auto]

Définit une limite actuelle pour la protection contre la surtension du CPU. En "Auto", le BIOS configure automatiquement ce réglage. Un pourcentage élevé protère moins et peut endommager le système.

#### ► Phase Over Current Protection [Enabled]

Active ou désactive la protection contre la surintensité de la phase.

[Enabled] Définit une limite d'intensité sur la phase pour la protection contre la surintensité.

[Disabled] Désactive cette fonction.

#### ► CPU Switching Frequency [Auto]

Définit la vitesse de fonction du PWM pour stabiliser la tension du cœur CPU et minimiser minimize la gamme d'ondulation. L'augmentation de la vitesse de fonction PWM élève la température MOSFET. Il est nécessaire alors de disposer d'une solution de refroidissement adéquate pour MOSFET avant d'augmenter cette valeur. En "Auto", le BIOS configure automatiquement ce réglage.

#### ► CPU VRM Over Temperature Protection [Enabled]

Active ou désactive la protection contre la surtension du CPU VRM.

[Enabled] Définit une limite température sur CPU VRM pour la protection sur température. La réquence CPU peut être restreint avec la sur température spécifiée de CPU VRM.

[Disabled] Désactive cette fonction.

► **CPU VRM Over Temperature Shutdown [Enabled]**

Arrête le système lorsque la température CPU VRM dépasse la limitation de la protection pour le CPU VRM.

[Enabled] Le système sera éteint à la sur température spécifiée.

[Disabled] Désactive cette fonction.

► **Digital Compensation Level [Auto]**

Définit le niveau de compensation actuelle pour CPU PWM lorsque la phases MOS sont modifiées. En "Auto", le BIOS régle la configuration automatiquement. Un niveau de compensation plus élevé fournit une meilleure capacité d'overclocking.

► **Imon Overwrite [Auto]**

Définit l'Imon actuel pour le CPU.

[Auto] Ce réglage est automatiquement configuré par le BIOS.

[Quarter] Définit l'Imon actuel en quart.

[Half] Définit l'Imon actuel en moitié.

[Disabled] Définit les valeurs par défaut pour l'Imon actuel.

► **Transient Boost [Disabled]**

Active ou désactive le transient boost.

[Enabled] L'activation de cette fonction entraîne un système stable sous avec des charges lourdes.

[Disabled] Désactive cette fonction.

► **SVID Communication [Auto]\***

Active ou désactive le support SVID (Serial Voltage Identification).

[Auto] Ce réglage est configuré automatiquement par le BIOS.

[Enabled] La phase PWM est modifié dynamiquement selon le CPU SVID (Serial Voltage Identification).

[Disabled] Désactive le support SVID (Serial Voltage Identification).

► **VCCIN Voltage [Auto]**

éfnit la tension d'entrée du CPU. La tension d'entrée du CPU est la source d'alimentation du CPU partagée avec ses composants.

► **CPU Core Voltage/ CPU Ring Voltage/ CPU GT Voltage [Auto]**

Définit les tensions de CPU Core/ Ring/ GT. En "Auto", le BIOS configure ces tension automatiquement. Vous pouvez également les régler manuellement.

► **CPU SA Voltage/ CPU IO Analog Voltage/ CPU IO Digital Voltage [Auto]**

Définit les tensions CPU SA/ IOA (IO Analog)/ IOD (IO Digital). En "Auto", le BIOS configure ces tension automatiquement. Vous pouvez également les régler manuellement.

► **XXX Voltage [Auto]\* (en option)**

éfnit les tensions relatives à la mémoire/ PCH. En "Auto", le BIOS configure ces tension automatiquement. Vous pouvez également les régler manuellement.

< **Autres réglages >**

► **CPU Specifications**

Appuyez sur <Enter> pour entrer dans le sous-menu. Ce sous-menu affiche l'information du CPU installé. Vous pouvez également accéder au menu d'information à tout temps en appuyant sur [F4]. En lecture seule.

### ► CPU Technology Support

Appuyez sur <Enter> pour entrer dans le sous-menu. Ce sous-menu affiche les principales fonctions prises en charge par le CPU installé. En lecture seule.

### ► MEMORY-Z

Appuyez sur <Enter> pour entrer dans le sous-menu. Ce sous-menu affiche tous les réglages et délai de la mémoire installée. Vous pouvez également accéder au menu d'information à tout temps en appuyant sur [F5].

#### ► DIMM1~4 Memory SPD

Appuyez sur <Enter> pour entrer dans le sous-menu. Ce sous-menu affiche l'information de la mémoire installée. En lecture seule.

### ► CPU Features

Appuyez sur <Enter> pour entrer dans le sous-menu.

#### ► Hyper-Threading Technology [Enabled]

Le processeur utilise la technologie Hyper-Threading pour augmenter le taux de transaction et réduire le temps de réponse utilisateur. La technologie traite les multi cœurs dans le processeur comme des multi processeurs logiques qui exécutent les instructions simultanément. Dans ce cas-là, la performance du système est considérablement augmentée.

[Enable] Active la technologie Intel Hyper-Threading.

[Disabled] Désactive ce menu si le système ne prend pas la fonction HT en charge.

#### ► Active Processor Cores [All]

Ce menu vous permet de choisir le nombre de cœurs actifs du processeur.

#### ► Limit CPUID Maximum [Disabled]

Active ou désactive la valeur étendue CPUID.

[Enabled] Le BIOS limite la valeur d'entrée maximum CPUID pour contourner le problème de démarrage de l'ancien système d'exploitation ne prenant pas en charge le processeur avec la valeur étendue CPUID.

[Disabled] Utilise la valeur d'entrée maximum actuelle CPUID.

#### ► Execute Disable Bit [Enabled]

La fonctionnalité Intel's Execute Disable Bit prévient certains niveaux d'attaques malveillantes de "buffer overflow" dans lesquelles les vers essaient d'exécuter un code pour endommager le système. Il est recommandé de toujours garder ce élément activé.

[Enabled] Active la protection NO-Execution pour prévenir les attaques malveillantes et les vers.

[Disabled] Désactive cette fonction.

#### ► Intel Virtualization Tech [Enabled]

Active ou désactive la technologie Intel Virtualization.

[Enabled] Active la technologie Intel Virtualization et autoriser une plate-forme visant à faire fonctionner plusieurs systèmes d'exploitation dans des partitions indépendantes. Le système peut fonctionner virtuellement comme des systèmes multiples.

[Disabled] Désactive cette fonction.

**► Hardware Prefetcher [Enabled]**

Active ou désactive le prefetcher matériel (MLC Streamer prefetcher).

[Enabled] Permet au prefetcher matériel d'acquies automatiquement les données et les instructions dans le cache L2 de la mémoire pour ajuster les performances du CPU.

[Disabled] Désactive le prefetcher matériel.

**► Adjacent Cache Line Prefetch [Enabled]**

Active ou désactive le prefetcher matériel CPU (MLC Spatial prefetcher).

[Enabled] Active le prefetcher de la ligne de cache adjacente pour réduire le temps de latence et ajuster les performances dans l'application spécifique.

[Disabled] Active seulement la ligne de cache exigée.

**► CPU AES Instructions [Enabled]**

Active ou désactive le support CPU AES (Advanced Encryption Standard-New Instructions). Ce menu apparaît si le CPU prend cette fonction en charge.

[Enabled] Active le support Intel AES.

[Disabled] Désactive le support Intel AES.

**► Intel Adaptive Thermal Monitor [Enabled]**

Active ou désactive la fonction de régulation adaptative de la température du moniteur Intel pour protéger le CPU contre la surchauffe.

[Enabled] Ralentit l'horloge du cœur CPU lorsque sa température dépasse la température du régulateur adaptatif.

[Disabled] Désactive cette fonction.

**► Intel C-State [Auto]**

C-state est une technologie de gestion d'alimentation processeur, définie par ACPI.

[Auto] Ce réglage est configuré automatiquement par le BIOS.

[Enabled] Détecte l'état de repos du système et réduit en conséquence la consommation d'énergie du CPU.

[Disabled] Désactive cette fonction.

**► C1E Support [Disabled]**

Active ou désactive la fonction C1E pour l'économie d'énergie en état d'arrêt. Ce menu apparaît lorsque "Intel C-State" est activé.

[Enabled] Active la fonction C1E pour réduire la fréquence et la tension CPU visant à économiser l'énergie en état d'arrêt.

[Disabled] Désactive cette fonction.

**► Package C State limit [Auto]**

Ce menu permet de choisir un mode C-state de CPU pour économiser l'énergie lorsque le système est au repos. Ce menu apparaît lorsque "Intel C-State" est activé.

[Auto] Ce réglage est configuré automatiquement par le BIOS.

[C0~C7s] Le niveau d'économie d'énergie du plus élevé au plus bas est C7s, C7, C6, C3, C2, puis C0.

#### ► LakeTiny Feature [Disabled]

Active ou désactive la fonction Intel Lake Tiny avec iRST pour SSD. Cet article apparaît lorsque le CPU installé prend cette fonction en charge et que "Intel C-State" est activé.

[Enabled] Améliore les performances ajustées de charge ES dynamique pour accélérer la vitesse SSD.

[Disabled] Désactive cette fonction.

#### ► EIST [Enabled]

Active ou désactive Enhanced Intel® SpeedStep Technology. Ce menu apparaît lorsque "Simple/ Advanced Mode" est mis en [Simple].

[Enabled] Active le EIST d'ajuster dynamiquement la tension du CPU et la fréquence du cœur. Cela diminue la consommation d'énergie et la production de chaleur en moyenne.

[Disabled] Désactive EIST.

#### ► Intel Turbo Boost [Enabled]

Active ou désactive Intel® Turbo Boost. Ce menu, pour le mode Simple, apparaît lorsque le CPU installé prend cette fonction en charge.

[Enabled] Active la fonction d'augmenter automatiquement les performances du CPU, supérieures à la spécification nominale lorsque le système exige un état de performance de plus élevée.

[Disabled] Désactive cette fonction.

#### ► Long Duration Power Limit (W) [Auto]

Définit la limite d'alimentation de longue durée TDP pour le CPU en mode Turbo Boost.

#### ► Long Duration Maintained (s) [Auto]

Définit le temps de maintien pour "Long duration power Limit(W)".

#### ► Short Duration Power Limit (W) [Auto]

Définit la limite d'alimentation de courte durée TDP pour le CPU en mode Turbo Boost.

#### ► CPU Current limit (A) [Auto]

Définit la limite actuelle maximum du paquet CPU en mode Turbo Boost. Lorsque la valeur actuelle est supérieure à la valeur spécifiée, le CPU réduit automatiquement la fréquence du cœur pour réduire la limite actuelle.

#### ► Internal VR OVP OCP Protection [Auto]

Active ou désactive la protection sur tension et la protection sur-courant pour VR (Voltage Regulator) du CPU.

[Auto] Ce réglage est configuré automatiquement par le BIOS.

[Enabled] Définit la limite de tension sur le VR interne du CPU pour la protection sur-tension et la protection sur-courant.

[Disabled] Désactive cette fonction pour l'overclocking.

#### ► Internal VR Efficiency Management [Auto]

Active ou désactive la gestion d'efficacité de VR interne du CPU.

[Auto] Le réglage est configuré automatiquement par le BIOS.

[Enabled] Active la gestion d'efficacité VR pour le contrôle d'économie d'énergie.

[Disabled] Désactive cette fonction.

# Русский

Благодарим вас за выбор системной платы серии Z97-G43 GAMING (MS-7816 v2.X) ATX. Материнские платы серии Z97-G43 GAMING на базе чипсета Intel® Z97 и обеспечивают оптимальную производительность системы. Платы серии Z97-G43 GAMING, обеспечивают высокую производительность и являются профессиональными платформами для настольных ПК, благодаря совместимости с усовершенствованными процессорами Intel® LGA1150.

## Характеристики материнской платы

<b>Поддержка процессоров</b>	<ul style="list-style-type: none"> <li>■ Поддержка процессоров Intel® Core™, и Intel® Pentium® и Celeron® 4-го и 5-го поколения для сокета LGA1150</li> </ul>
<b>Чипсет</b>	<ul style="list-style-type: none"> <li>■ Intel® Z97 Express</li> </ul>
<b>Память</b>	<ul style="list-style-type: none"> <li>■ 4x DDR3 слота памяти с поддержкой до 32ГБ</li> <li>■ Поддержка DDR3 3000(OC)/ 2800(OC)/ 2666(OC)/ 2600(OC)/ 2400(OC)/ 2200(OC)/ 2133(OC)/ 2000(OC)/ 1866(OC)/ 1600/ 1333/ 1066 МГц</li> <li>■ Двухканальная архитектура памяти</li> <li>■ Поддержка non-ECC, небуферизованной памяти</li> <li>■ Поддержка Intel® Extreme Memory Profile (XMP)</li> </ul>
<b>Слоты расширения</b>	<ul style="list-style-type: none"> <li>■ 1x слот PCIe 3.0 x16, поддержка до PCIe 3.0 x16</li> <li>■ 1x слот PCIe 2.0 x16, поддержка до PCIe 2.0 x4</li> <li>■ 2x слота PCIe 2.0 x1</li> <li>■ 3x слота PCI</li> </ul>
<b>Встроенная графика</b>	<ul style="list-style-type: none"> <li>■ 1x порт VGA, с поддержкой максимального разрешения 1920x1200 @ 60Гц</li> <li>■ 1x порт HDMI®, с поддержкой максимального разрешения 4096x2160@24Гц, 24bpp/ 2560x1600@60Гц, 24bpp/ 1920x1080@60Гц, 36bpp</li> <li>■ 1x порт DVI-D, с поддержкой максимального разрешения 1920x1200 @ 60Гц</li> </ul>
<b>Поддержка Multi-GPU</b>	<ul style="list-style-type: none"> <li>■ Поддержка Технологии 2-Way AMD CrossFire™*</li> <li>* Поддержка Windows 7 и Windows 8/ 8.1</li> </ul>
<b>Устройства хранения данных</b>	<ul style="list-style-type: none"> <li>■ Чипсет Intel® Z97 Express                             <ul style="list-style-type: none"> <li>- 6x портов SATA 6Гб/с (SATA1~6)</li> <li>- Поддержка RAID 0, RAID1, RAID 5 и RAID 10</li> <li>- Поддержка Технологии Intel® Smart Response, Технологии Intel® Rapid Start и Технологии Intel® Smart Connect*</li> </ul> </li> <li>* Поддержка процессоров Intel Core на Windows 7 и Windows 8/ 8.1</li> </ul>
<b>Аудио</b>	<ul style="list-style-type: none"> <li>■ Realtek® ALC1150 Codec                             <ul style="list-style-type: none"> <li>- 7.1-канальный High Definition Audio</li> </ul> </li> </ul>
<b>USB</b>	<ul style="list-style-type: none"> <li>■ Чипсет Intel Z97 Express                             <ul style="list-style-type: none"> <li>- 4x порта USB 3.0 (2 порта на задней панели, 2 порта доступны через внутренние USB 3.0 разъемы)</li> <li>- 10x портов USB 2.0 (6 порта на задней панели, 4 порта доступны через внутренние USB 2.0 разъемы)</li> </ul> </li> </ul>
<b>LAN</b>	<ul style="list-style-type: none"> <li>■ 1x Killer E2205 Гигабитный Сетевой контроллер</li> <li>* Сетевой менеджер Killer применяется только для Windows 7 и Windows 8/ 8.1 в настоящее время. Драйверы для других операционных систем будут доступны на веб-сайте, при условии поддержки со стороны производителя ОС.</li> </ul>

<b>Разъемы на задней панели</b>	<ul style="list-style-type: none"> <li>■ 1x комбинированный порт PS/2 клавиатуры/ мыши</li> <li>■ 6x портов USB 2.0</li> <li>■ 1x порт HDMI</li> <li>■ 1x порт VGA</li> <li>■ 1x порт DVI-D</li> <li>■ 1x порт LAN (RJ45)</li> <li>■ 2x порта USB 3.0</li> <li>■ 6x OFC аудиоразъемов</li> </ul>
<b>Разъемы на плате</b>	<ul style="list-style-type: none"> <li>■ 1x 24-контактный ATX основной разъем питания</li> <li>■ 1x 8-контактный ATX 12В разъем питания</li> <li>■ 6x разъемов SATA</li> <li>■ 2x разъема USB 2.0 (Поддержка 4 дополнительных портов USB 2.0)</li> <li>■ 1x разъем USB 3.0 (Поддержка 2 дополнительных портов USB 3.0)</li> <li>■ 2x 4-контактный разъем вентилятора ЦП</li> <li>■ 3x 4-контактные разъемы вентилятора системы</li> <li>■ 1x джампер очистки данных CMOS</li> <li>■ 1x аудиоразъем на передней панели</li> <li>■ 2x разъема панели системы</li> <li>■ 1x разъем модуля TPM</li> <li>■ 1x разъем последовательного порта</li> <li>■ 1x разъем параллельного порта</li> <li>■ 1x разъем датчика открытия корпуса</li> </ul>
<b>Контроллер ввода-вывода</b>	<ul style="list-style-type: none"> <li>■ NUVOTON NCT6779 Чип-контроллера</li> </ul>
<b>Hardware Монитор</b>	<ul style="list-style-type: none"> <li>■ Детектирование температуры CPU/Системы</li> <li>■ Детектирование скорости вентилятора CPU/Системы</li> <li>■ Контроль скорости вентилятора CPU/Системы</li> </ul>
<b>Функции BIOS</b>	<ul style="list-style-type: none"> <li>■ 64 Мб флэш</li> <li>■ Мультиязычный интерфейс БИОС</li> <li>■ ACPI 5.0, PnP 1.0a, SM BIOS 2.7, DMI 2.0</li> <li>■ Multi-язык</li> </ul>
<b>Особенные функции</b>	<ul style="list-style-type: none"> <li>■ Military Class 4</li> <li>■ OC Genie 4</li> <li>■ CLICK BIOS 4</li> <li>■ All Solid CAPs</li> <li>■ AMD CrossFire</li> <li>■ PCI Express Gen 3</li> <li>■ Sound Blaster Cinema</li> <li>■ Smart Utilities</li> <li>■ USB 3.0</li> <li>■ SATA 6Гб/с</li> <li>■ Command Center</li> <li>■ Live Update</li> <li>■ M-Flash</li> </ul>

<b>Программное обеспечение</b>	<ul style="list-style-type: none"> <li>■ Драйверы</li> <li>■ MSI <ul style="list-style-type: none"> <li>- Command Center</li> <li>- Super Charger</li> <li>- Smart Utilities</li> <li>- Live Update 6</li> <li>- Fast Boot</li> </ul> </li> <li>■ 7-ZIP</li> <li>■ Intel Extreme Tuning Utility</li> <li>■ Sound Blaster Cinema</li> <li>■ Norton Internet Security Solution</li> <li>■ Killer Network Manager</li> </ul>
<b>Форм-фактор</b>	<ul style="list-style-type: none"> <li>■ ATX</li> <li>■ 12.0 дюймов x 9.6 дюймов (30.5 см x 24.4 см)</li> </ul>

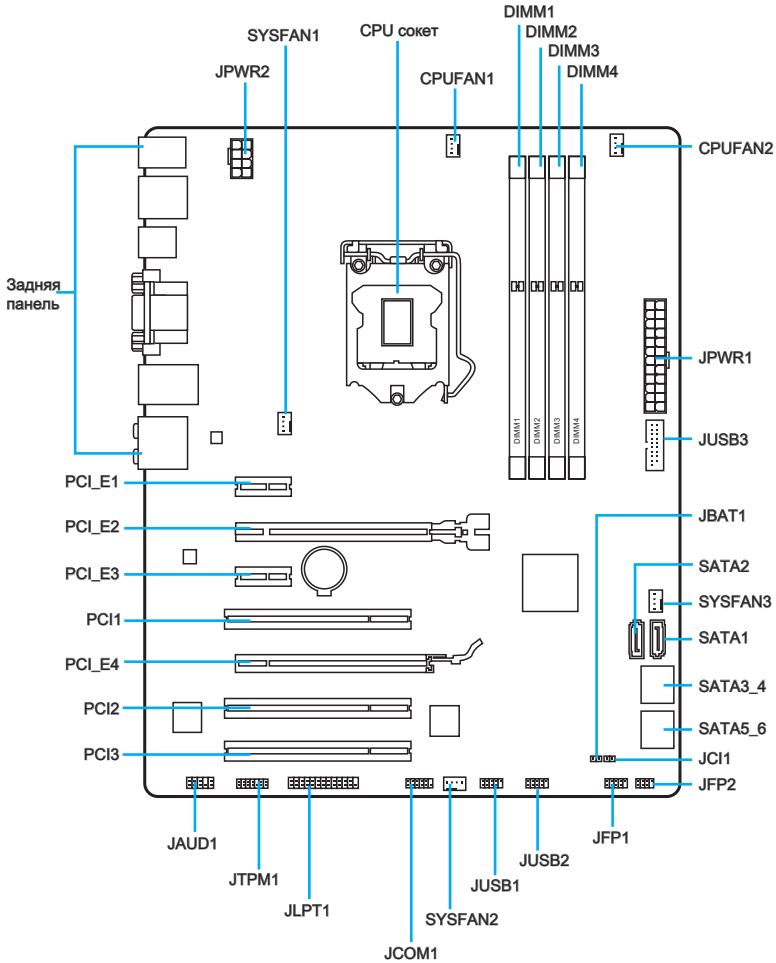


Последние сведения о поддержке процессора можно получить по адресу <http://www.msi.com/cpu-support/>



Дополнительные сведения о совместимых компонентах можно получить по адресу <http://www.msi.com/test-report/>

# Краткое руководство по разъемам

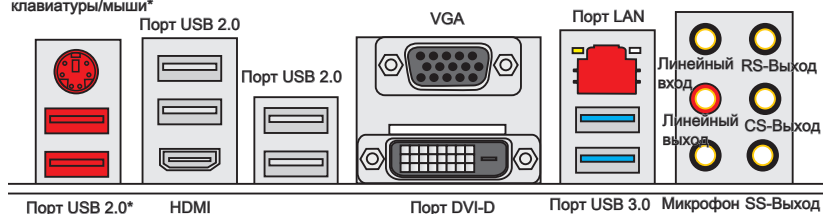


## Справочное руководство по разъемам

Наименование порта	Тип порта	Страница
Разъемы на задней панели	Порты ввода / вывода	Ru-7
CPU Socket	Разъем LGA1150 CPU	Ru-10
CPUFAN1~2,SYSFAN1~3	Разъемы питания вентиляторов	Ru-19
DIMM1~4	Слоты для модулей памяти DDR3	Ru-13
JAUD1	Аудиоразъем на передней панели	Ru-23
JBAT1	Джампер очистки данных CMOS	Ru-24
JCI1	Разъем датчика открытия корпуса	Ru-22
JCOM1	Разъем последовательного порта	Ru-24
JFP1, JFP2	Разъемы передней панели	Ru-20
JLPT1	Разъем параллельного порта	Ru-23
JPWR1~2	Разъемы питания ATX	Ru-15
JTPM1	Разъем модуля TPM	Ru-21
JUSB1~2	Разъемы расширения USB 2.0	Ru-21
JUSB3	Разъем расширения USB 3.0	Ru-21
PCI_E1~E4	Слот расширения PCIe	Ru-16
PCI1~3	Слот расширения PCI	Ru-16
SATA1~6	Разъемы SATA	Ru-18

# Краткое руководство по работе с задней панелью

комбинированный  
порт PS/2  
клавиатуры/мыши\*



\* Порт игрового устройства.

## ► Комбинированные порты PS/2 клавиатуры/мыши

Комбинированный разъем DIN PS/2® для подключения мыши/клавиатуры с интерфейсом PS/2®.

## ► Порт VGA

Разъем DB15 гнездового типа для подключения монитора.

## ► Порт DVI-D

Разъем DVI-D (цифровой видеоинтерфейс) подключается к ЖК или ЭЛТ монитору с помощью переходника. Подробную информацию о подключении монитора см. в руководстве к монитору.

## ► Порт HDMI **HDMI**<sup>®</sup> HIGH-DEFINITION MULTIMEDIA INTERFACE

Мультимедийный интерфейс высокой четкости (HDMI) представляет собой полностью цифровой аудио- видеоинтерфейс, позволяющий передавать несжатые потоки данных. Интерфейс HDMI обеспечивает передачу ТВ-сигнала по одному кабелю в любом формате, включая телевидение стандартной, повышенной и высокой четкости, а также многоканальный цифровой звук.



## **Внимание**

Данная платформа поддерживает функцию *dual-display* (два дисплея)/ *triple-display* (три дисплея) с помощью портов вывода интегрированной графики.

	VGA+DVI-D	DVI-D+HDMI	HDMI+VGA	HDMI+VGA+DVI-D
Режим расширения (Расширение рабочего стола на другой монитор)	○	○	○	○
режим клонирования (Изображения на всех мониторах совпадают)	○	○	○	○

### ► Порт USB 2.0

Порт USB 2.0 предназначен для подключения USB 2.0-устройств, таких как клавиатура, мышь и другие USB 2.0-совместимые устройства.

### ► Порт USB 3.0

Порт USB 3.0 обратно совместим с устройствами USB 2.0. Поддержка передачи данных со скоростью до 5 Гбит/с (SuperSpeed).



### **Внимание**

Для использования устройств USB 3.0 их следует подключать к порту USB 3.0. Используемый USB-кабель должен быть совместим со стандартом USB 3.0.

### ► Порт LAN

Стандартный разъем RJ-45 для подключения к локальной вычислительной сети (LAN).

	<b>Индикатор</b>	<b>Состояние индикатора</b>	<b>Описание</b>
	Link/ Activity LED (Подключение/ Работа индикатора)	Выкл.	Не подключен
		Желтый	Подключен
		Мигает	Передача данных
	Speed LED (Скорость передачи данных)	Выкл.	10 Мбит/с подключение
		Зеленый	100 Мбит/с подключение
Оранжевый		1 Гбит/с подключение	

### ► Аудиоразъемы

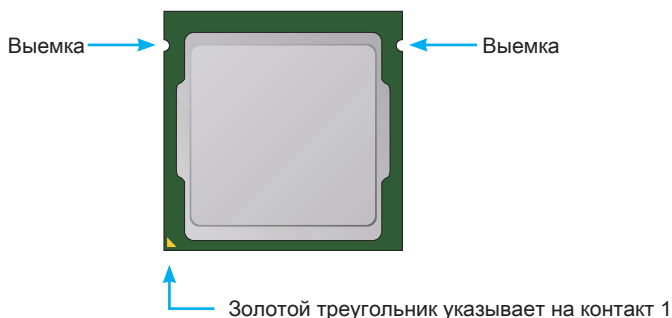
Эти разъемы используются для подключения аудиоустройств.

- Линейный вход: Служат для подключения внешних источников звукового сигнала.
- Линейный выход: Разъем для подключения динамиков пространственного звука в режиме 2/ 4/ 5.1/ 7.1 или наушников.
- Микрофон: Разъем для подключения микрофона.
- Выход RS-Out: Выход на задние колонки пространственного звука в режиме 4/ 5.1/ 7.1.
- Выход CS-Out: Выход на центральную колонку и сабвуфер в режиме 5.1/ 7.1.
- Выход SS-Out: Выход на боковые колонки пространственного звука в режиме 7.1.

## ЦП (центральный процессор)

### Процессор LGA 1150

На поверхности процессора LGA 1150 имеются два знака совмещения и золотой треугольник для правильной установки процессора относительно материнской платы. Золотой треугольник указывает на контакт 1.



### **Внимание**

#### **Перегрев**

Перегревание может привести к серьезному повреждению процессора и материнской платы. Всегда проверяйте работоспособность вентилятора для защиты процессора от перегрева. При установке вентилятора нанесите ровный слой термопасты (или термоленту) между ЦП и вентилятором для увеличения теплопередачи.

#### **Замена ЦП**

При замене процессора всегда отключайте блок питания системы и вынимайте шнур питания из розетки, чтобы избежать повреждения процессора.

#### **Разгон**

Эта системная плата разработана с учетом возможности "разгона". Перед выполнением разгона системы убедитесь в том, что все компоненты системы смогут выдержать разгон. Производитель не рекомендует использовать параметры, выходящие за пределы технических характеристик устройств. Гарантия MSI не распространяется на повреждения и другие возможные последствия ненадлежащей эксплуатации и несоблюдения технических характеристик изделия.

## Установка ЦП и радиатора

При установке процессора обязательно установите радиатор ЦП. Радиатор ЦП предупреждает перегревание и обеспечивает стабильность работы системы. Ниже представлены инструкции по правильной установке процессора и радиатора ЦП. Неправильная установка приводит к выходу из строя процессора и материнской платы.



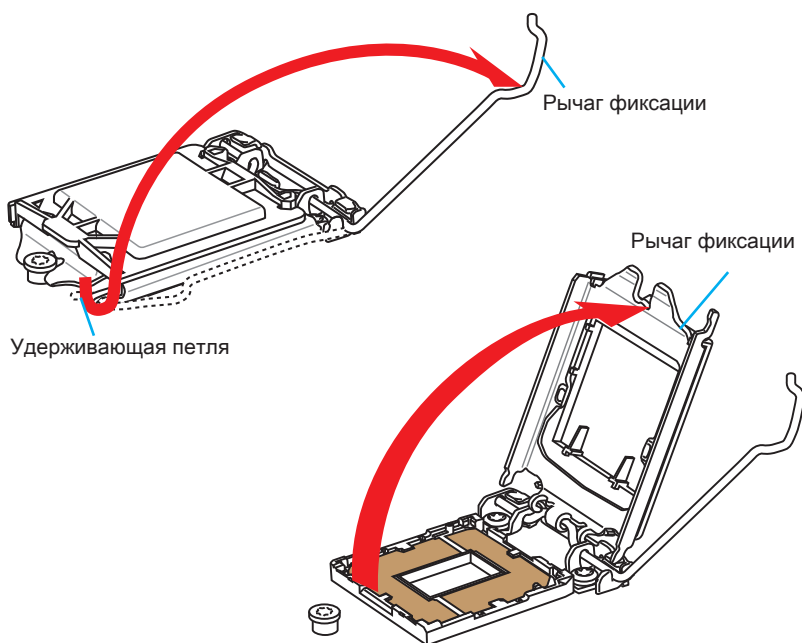
### Видео Демонстрация

Смотрите видео, чтобы узнать как установить процессор и кулер:

<http://youtu.be/bf5La099url>



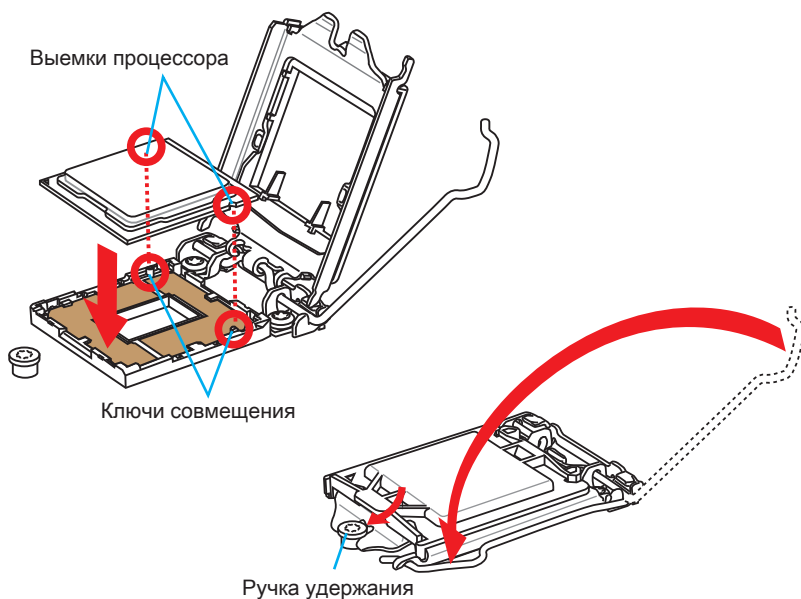
1. Отцепите и полностью поднимите рычаг фиксации.
2. При подъеме рычага фиксации автоматически поднимается прижимная пластина.



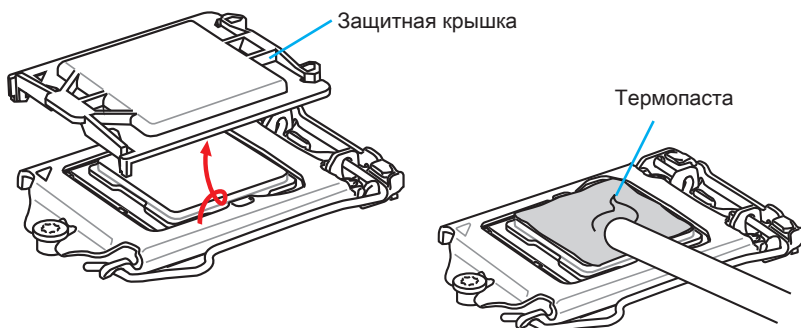
### Внимание

Не трогайте контакты разъема или нижней части процессора.

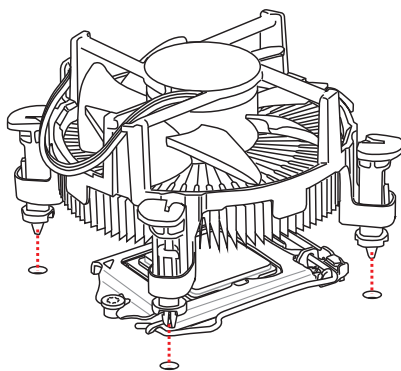
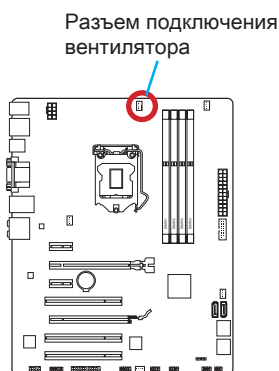
3. Совместите выемки на процессоре с ключами совмещения на сокете. Опустите процессор вниз без наклона. Движение процессора в сокете недопустимо. Проверьте надежность установки процессора в сокете.
4. Закройте и сдвиньте прижимную пластину под ручку удержания. Закройте и зацепите рычаг фиксации.



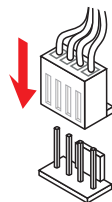
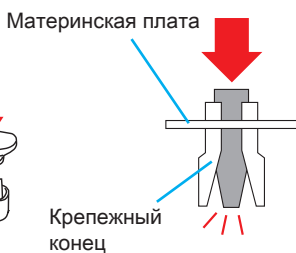
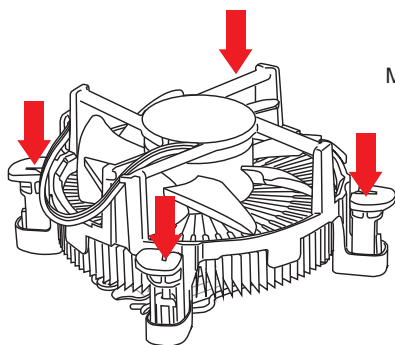
5. При нажатии на рычаг фиксации защитная крышка автоматически выскочит из гнезда процессора. Не выбрасывайте защитную крышку. Всегда устанавливайте защитную крышку, если процессор вынимается из сокета.
6. Равномерно нанесите тонкий слой термопасты (или термоленту) на верхнюю крышку процессора. Это позволит увеличить теплопередачу и предотвратит перегрев процессора.



7. Найдите разъем для подключения вентилятора ЦП на материнской плате.
8. Установите кулер на материнскую плату, направив его кабель в сторону разъема для подключения вентилятора.



9. Нажмите на радиатор сверху так, чтобы закрепить четыре защелки в отверстиях на материнской плате. Нажмите на защелки для закрепления вентилятора. Каждая из защелок фиксируется с характерным щелчком.
10. Осмотрите материнскую плату и определите правильность закрепления зажимов.
11. И, наконец, подключите кабель вентилятора процессора к разъему вентилятора на системной плате.

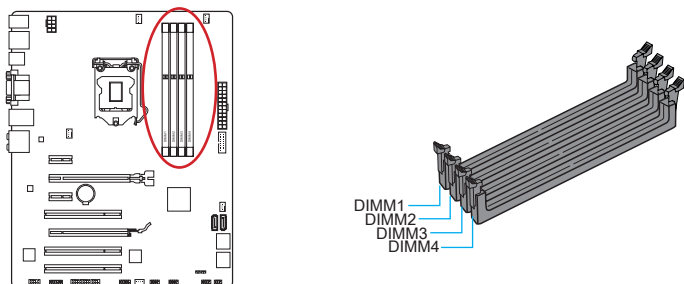


### **Внимание**

- Перед включением системы проверьте герметичность соединения между процессором и радиатором.
- Если процессор не установлен, всегда защищайте контакты процессорного сокета пластиковой крышкой.
- Если вы приобрели отдельно процессор и процессорный кулер, подробное описание установки см. в документации в данному кулеру.

## Память

Разъемы DIMM предназначены для установки модулей памяти.



### Видео Демонстрация

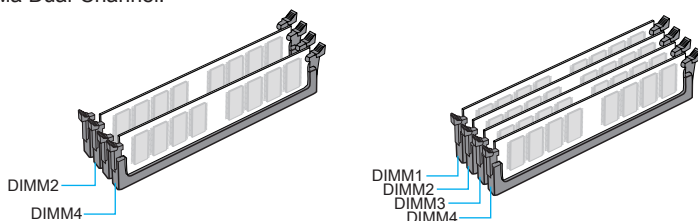
Смотрите видео, чтобы узнать как установить память по указанному адресу.

<http://youtu.be/76yLtJaKICQ>



### Правила заполнения гнезд при использовании двухканального режима Dual-Channel

В двухканальном режиме модули памяти могут одновременно передавать и получать данные по двум каналам шины. Включение двухканального режима Dual-Channel может повысить производительность системы. На рисунках ниже показаны правила заполнения гнезд памяти при использовании двухканального режима Dual-Channel.

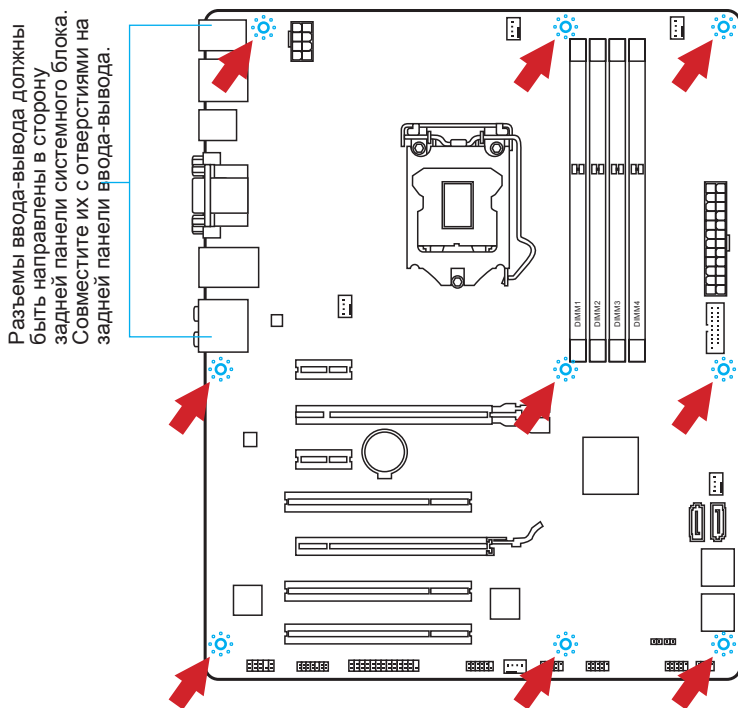


### Внимание

- Модули DDR3 не взаимозаменяемы с модулями DDR2, стандарт DDR3 не поддерживает обратную совместимость. Модули памяти DDR3 следует устанавливать в разъемы DDR3 DIMM.
- Для обеспечения стабильной работы системы в двухканальном режиме устанавливаются модули памяти одинакового типа и емкости.
- В связи со спецификой использования ресурсов микропроцессора, при установке модулей памяти емкостью 8 ГБ во все разъемы DIMM системная память определяется только до 31+ ГБ (неполные 32 ГБ).

## Отверстия под установочные винты

Для установки материнской платы на монтажной плате системного блока сначала установите необходимые установочные стойки. Если в комплект поставки системного блока входит задняя панель ввода-вывода, замените ее задней панелью ввода-вывода, которая поставляется с материнской платой. Задняя панель ввода-вывода без труда устанавливается в системном блоке компьютера без применения винтов. Совместите установочные стойки монтажной платы с отверстиями под установочные винты на материнской плате и закрепите материнскую плату винтами, которые поставляются вместе с системным блоком. Ниже показано расположение отверстий под установочные винты. Дополнительную информацию см. в руководстве к системному блоку.



### **Внимание**

- Положите материнскую плату на ровную и чистую поверхность.
- Во избежание повреждения материнской платы, закрепляйте электронные компоненты на установочных стойках, избегая их соприкосновения с системным блоком.
- Проверьте надежность крепления всех металлических компонентов на материнской плате или внутри системного блока. Незакрепленные детали могут привести к короткому замыканию материнской платы.

# Электроснабжение



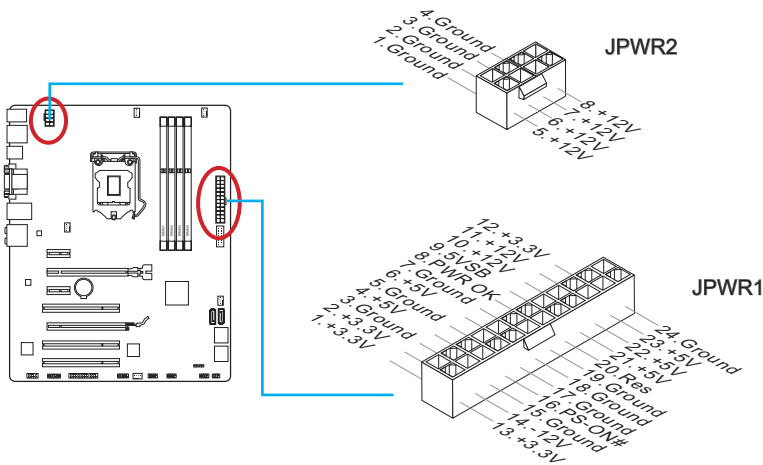
## Видео Демонстрация

Смотрите видео, чтобы узнать как установить разъем питания.  
[http://youtu.be/gkDYyR\\_8314](http://youtu.be/gkDYyR_8314)



## JPWR1~2: Разъемы питания ATX

Эти разъемы предназначены для подключения разъема питания ATX. Для подключения ATX разъема питания совместите кабель питания с разъемом и прочно закрепите его. При правильном выполнении подключения защелка на кабеле питания закрепляется в силовом разъеме материнской платы.



## Внимание

Для обеспечения стабильной работы системной платы проверьте надежность подключения всех кабелей питания к соответствующему блоку питания ATX.

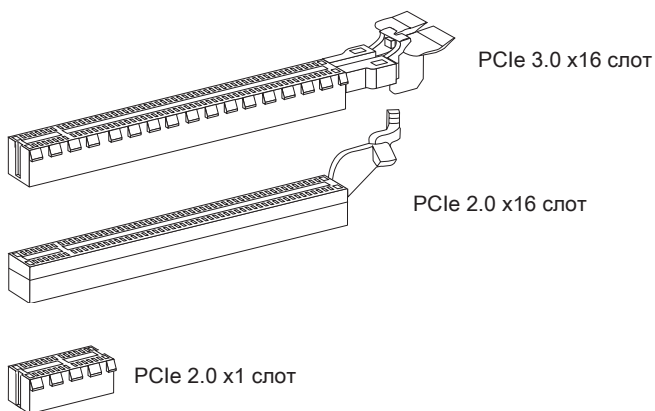
## Слоты расширения

---

Данная материнская плата содержит множество разъемов для установки плат расширения, в частности, дискретных видеокарт или звуковых карт.

### PCI\_E1~E4: Слот Расширения PCIe

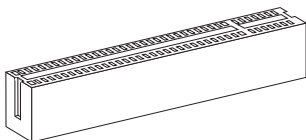
Слот PCIe поддерживает платы расширения с интерфейсом PCIe.



---

### PCI1~3: Слот Расширения PCI

Слот PCI поддерживает дополнительные LAN, SCSI, USB, и другие дополнительные контроллеры, которые соответствуют спецификациями PCI.



#### **Внимание**

*Перед установкой или извлечением плат расширения убедитесь, что шнур питания отключен от электрической сети. Прочтите документацию на карту расширения и выполните необходимые дополнительные аппаратные или программные изменения для данной карты.*

## Видео/ Установка дискретной видеокарты

По умолчанию, данная плата использует графическое ядро интегрированное в CPU, но Вы так же можете значительно повысить графическую производительность системы, путем добавление одной или нескольких дискретных видеокарт в слоты расширения. Для лучшей совместимости рекомендуется использовать графические карты MSI.



### Видео Демонстрация

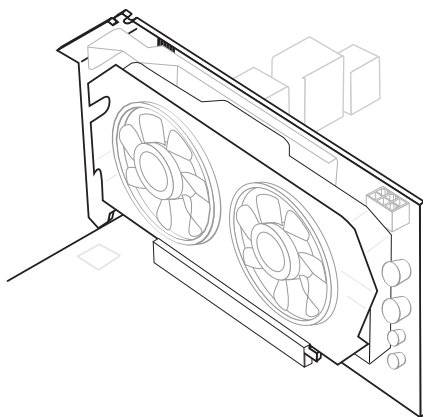
Смотрите видео, чтобы узнать как установить видеокарту на слоте PCIe x16 с замком.

[http://youtu.be/mG0GZpr9w\\_A](http://youtu.be/mG0GZpr9w_A)



### Установка одной видеокарты

1. Определите тип слота расширения, который используется видеокартой. Найдите соответствующий слот(ы) на материнской плате. Выньте защитную крышку слота(ов) расширения из корпуса системного блока.
2. Расположите видеокарту над слотом(ами) для расширения так, чтобы порты подключения мониторов были направлены ко внешней стороне системного блока. Для установки одной видеокарты рекомендуется использовать слот PCI\_E2.
3. Вставьте видеокарту в слот(ы) расширения. В случае правильной установки карты, защелка(и) на слоте(ах) расширения должны защелкнуться.
4. При необходимости, прикрутите видеокарту к корпусу системного блока винтом. Для некоторых видеокарт требуется подключение непосредственно к блоку питания отдельным кабелем.
5. Дополнительные инструкции по установке драйверов и настройке специальных параметров представлены в руководстве пользователя к видеокарте.



# Внутренние разъемы

## SATA1~6: Разъем SATA

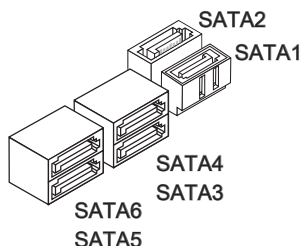
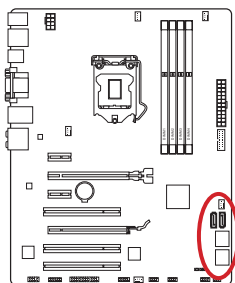
Данный разъем является высокоскоростным интерфейсом SATA. К любому разъему SATA можно подключить одно устройство SATA. К устройствам SATA относятся жесткие диски, твердотельные накопители и накопители на оптических дисках (компакт-диски/ DVD-диски/ Blu-Ray-диски).



### Видео Демонстрация

Смотрите видео, чтобы узнать как установить SATA жесткие диски.

<http://youtu.be/RZsMpqxYthc>

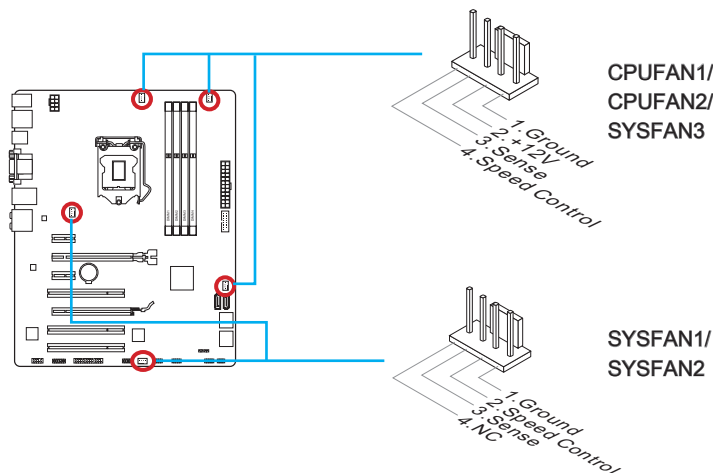


### Внимание

- Многие устройства SATA требуют подключения к источнику питания с помощью кабеля питания. К таким устройствам относятся жесткие диски, твердотельные накопители и накопители на оптических дисках (компакт-диски/ DVD-диски/ Blu-Ray-диски). Дополнительную информацию можно получить в руководствах к соответствующим устройствам.
- Во многих системных блоках устройства SATA большого размера (в том числе, жесткие диски, твердотельные накопители и накопители на оптических дисках) прикрепляются с помощью винтов. Дополнительные инструкции по установке см. в руководствах к системному блоку или устройству SATA.
- Избегайте перегибов кабеля SATA под прямым углом. В противном случае, возможна потеря данных при передаче.
- Кабели SATA оснащены одинаковыми вилками с обеих сторон. Однако для экономии занимаемого пространства рекомендуется к материнской плате подключать плоский разъем.

## CPUFAN1~2,SYSFAN1~3: Разъемы питания вентиляторов

Разъемы питания вентиляторов поддерживают вентиляторы с питанием +12 В. Если на системной плате установлена микросхема аппаратного мониторинга, необходимо использовать специальные вентиляторы с датчиками скорости для использования функции управления вентиляторами. Обязательно подключите все системные вентиляторы. Некоторые системные вентиляторы невозможно подключить к материнской плате. Вместо этого они подключаются к источнику питания напрямую. Системные вентиляторы подключаются к свободным разъемам для вентиляторов.



### **Внимание**

- Для получения кулеров, рекомендованных для охлаждения процессора, обратитесь на официальный веб-сайт производителя процессора или к местному поставщику.
- Эти разъемы поддерживают функцию управления скоростью вращения вентиляторов в линейном режиме. Установите утилиту Command Center для автоматического управления скоростью вращения вентиляторов в зависимости от температуры процессора и системы.
- В том случае, если на материнской плате не достаточно разъемов для подключения всех системных вентиляторов, вентиляторы подключают напрямую к источнику питания с помощью переходника.
- Перед первой загрузкой проверьте, чтобы кабели не мешали вращению вентиляторов.

## JFP1, JFP2: Разъемы панели системы

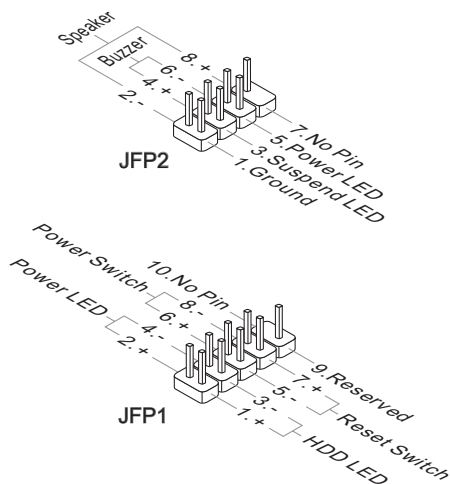
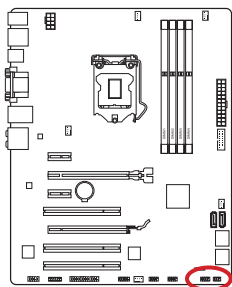
Эти разъемы служат для подключения кнопок и светодиодных индикаторов, расположенных на передней панели. Разъем JFP1 соответствует стандартам Intel® Front Panel I/O Connectivity Design. При установке разъемов передней панели для удобства используются переходники и кабели, входящие в комплект поставки. Подключите все провода системного блока к разъемам, а затем подключите разъемы к материнской плате.



### Видео Демонстрация

Смотрите видео, чтобы узнать как подключить разъемы передней панели.

<http://youtu.be/DPELldVNZUI>

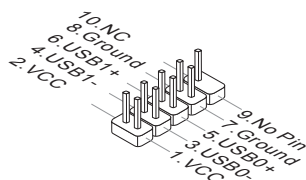
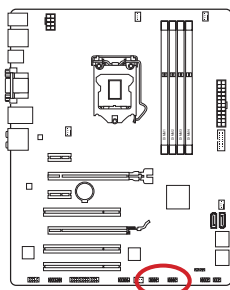


### Внимание

- На разъемах, выходящих из системного блока, плюсовым проводам соответствуют контакты, обозначенные небольшими треугольниками. Для определения правильности направления и расположения служат вышеуказанные схемы и надписи на дополнительных разъемах.
- Большинство кнопок, расположенных на передней панели системного блока, подключены к разъему JFP1.

## JUSB1~2: Разъем расширения USB 2.0

Этот разъем служит для подключения таких высокоскоростных периферийных устройств, как жесткие диски с интерфейсом USB, цифровые камеры, MP3 плееры, принтеры, модемы и т. д.

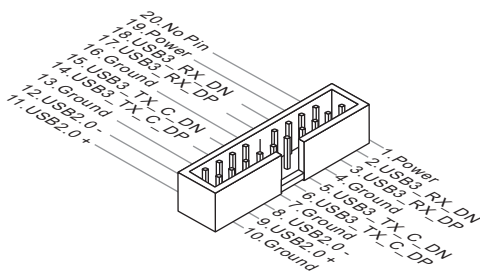
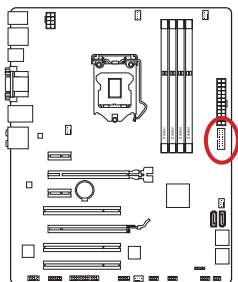


### **Внимание**

Помните, что во избежание повреждений необходимо правильно подключать контакты VCC и GND.

## JUSB3: Разъем расширения USB 3.0

Порт USB 3.0 обратно совместим с устройствами USB 2.0. Он поддерживает скорость передачи данных до 5 Гбит/с(SuperSpeed).

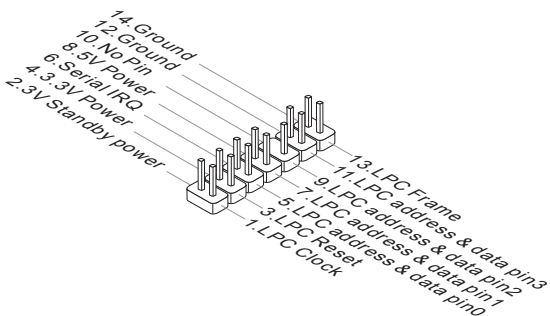
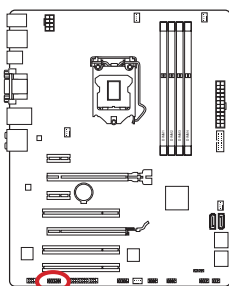


### **Внимание**

- Помните, что во избежание повреждений необходимо правильно подключать контакты VCC и GND.
- Для использования устройства USB 3.0 подключитесь к разъему USB 3.0 с помощью кабеля USB 3.0 (приобретается дополнительно).

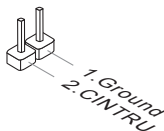
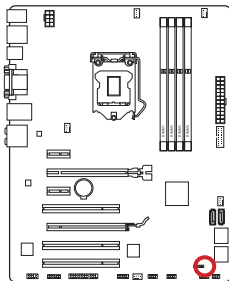
## ЖТРМ1: Разъем модуля ТРМ

Данный разъем подключается к модулю ТРМ (Trusted Platform Module).  
Дополнительные сведения см. в описании модуля безопасности ТРМ.



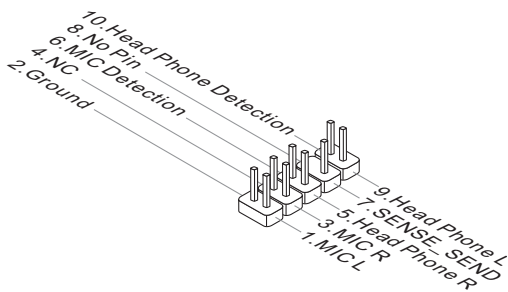
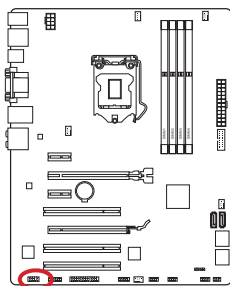
## ЖС11: Разъем датчика открытия корпуса

К этому разъему подключается кабель датчика, установленного в корпусе. Этот датчик срабатывает при вскрытии системного блока. Система запоминает это событие и выдает предупреждение на экран. Для отключения предупреждения необходимо удалить записанное событие в настройках BIOS.



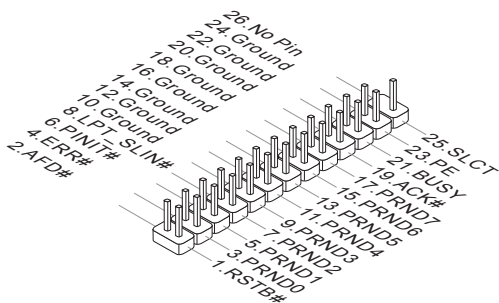
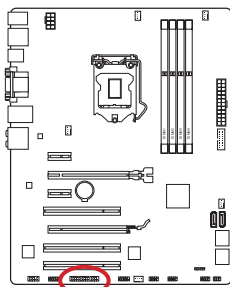
## JAUD1: Аудиоразъем на передней панели

Этот разъем служит для подключения аудиоразъема на передней панели системного блока. Этот разъем соответствует стандарту Intel® Front Panel I/O Connectivity Design.



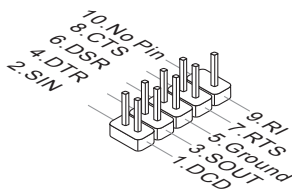
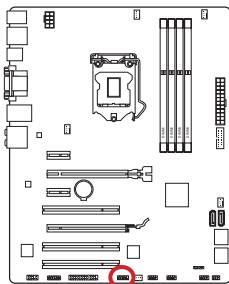
## JLPT1: Разъем параллельного порта

Этот коннектор используется для подключения опциональной планки параллельного порта. Параллельный порт-это стандартный порт для принтера. Он поддерживает режимы EPP(усовершенствованный параллельный порт) и ECP (параллельный порт с дополнительными возможностями).



## JCOM1: Разъем последовательного порта

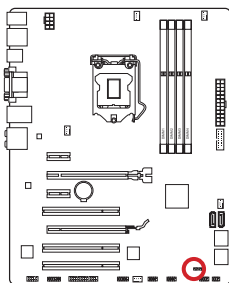
Данный разъем является высокоскоростным последовательным портом передачи данных 16550A с 16-разрядной передачей FIFO. К этому разъему можно подключить устройство с последовательным интерфейсом.



## Джампер

### JBAT1: Джампер очистки данных CMOS

На плате установлена CMOS память с питанием от батарейки для хранения данных о конфигурации системы. С помощью памяти CMOS операционная система (ОС) автоматически загружается каждый раз при включении. Для сброса конфигурации системы (очистки данных CMOS памяти), воспользуйтесь этой перемычкой.



Сохранение  
данных



Очистка  
данных



### **Внимание**

Очистка CMOS памяти производится замыканием указанных контактов перемычкой при выключенной режиме. После выполнения очистки разомкните перемычку. Очистка CMOS памяти во время работы системы не допустима, т.к. это приведет к выходу материнской платы из строя.

## Драйверы и утилиты

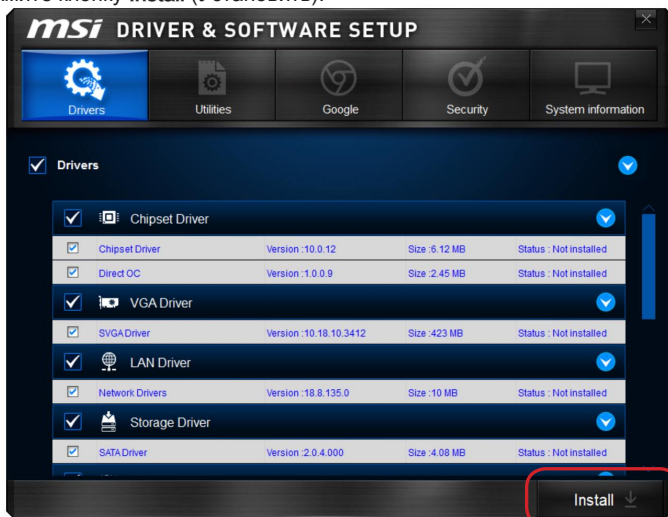
После установки операционной системы для достижения максимальной производительности собранного вами нового компьютера требуется установка драйверов. В комплект поставки системной платы MSI входит компакт-диск с драйверами (Driver Disc). Установка драйверов позволит использовать системную плату компьютера более эффективно, а также воспользоваться специальными функциями, которые мы предоставляем.

Вы можете защитить свой компьютер от вирусов, установив антивирусную программу защиты с данного диска. В комплект ПО включены также различные полезные и креативные утилиты.

### Установка драйверы и утилит

Для установки драйверов и утилит на своем компьютере следуйте приведенным ниже указаниям.

1. Вставьте диск с драйверами MSI Driver Disc в привод для оптических дисков. Если в операционной системе включена функция автозапуска, автоматически отобразится утилита installer.
2. Утилита Installer автоматически найдет и перечислит все необходимые драйверы.
3. Нажмите кнопку **Install** (Установить).



Нажмите здесь

4. Начнется установка программ, а после ее завершения будет предложено перезапустить систему.
5. Нажмите кнопку **OK** для завершения.
6. Перезапустите компьютер.

Для установки утилит можно использовать этот же способ.

## Настройка BIOS

Утилита CLICK BIOS от MSI обеспечивает графический интерфейс пользователя для установки параметров BIOS с помощи мыши и клавиатуры.

С помощью утилиты CLICK BIOS пользователи смогут изменять параметры BIOS, следить за температурой процессора, выбирать приоритетность загрузочных устройств и просматривать информацию о системе, в частности, наименование ЦП, емкость памяти, версию ОС и версию BIOS. Пользователи смогут импортировать и экспортировать данные параметров для выполнения резервного копирования и отправки друзьям.

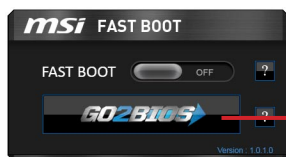
### Вход в настройки BIOS

Включите компьютер и дождитесь начала процедуры самотестирования POST (Power On Self Test). При появлении на экране сообщения, приведенного ниже, нажмите клавишу <DEL> для запуска программы настройки:

**Press <Del> to run BIOS setup, or <F11> to run boot menu**  
**(Нажмите на клавишу DEL для запуска в меню настройки, или F11 для запуска в меню загрузки)**

Если вы не успели нажать клавишу до отображения сообщения и по-прежнему требуется войти в программу настройки, перезапустите систему, либо включив и выключив ее, либо нажав кнопку RESET. Можно также выполнить перезагрузку, одновременно нажав клавиши <Ctrl>+<Alt>+<Delete>.

MSI также дополнительно предоставляет два метода для входа в настройки BIOS. Вы можете нажать "GO2BIOS" на экране в утилите "MSI Fast Boot" или нажать физическую кнопку "GO2BIOS" (опционально) на материнской плате для непосредственно входа в настройки BIOS при следующей загрузке.



Нажмите "GO2BIOS" на экране утилиты "MSI Fast Boot".

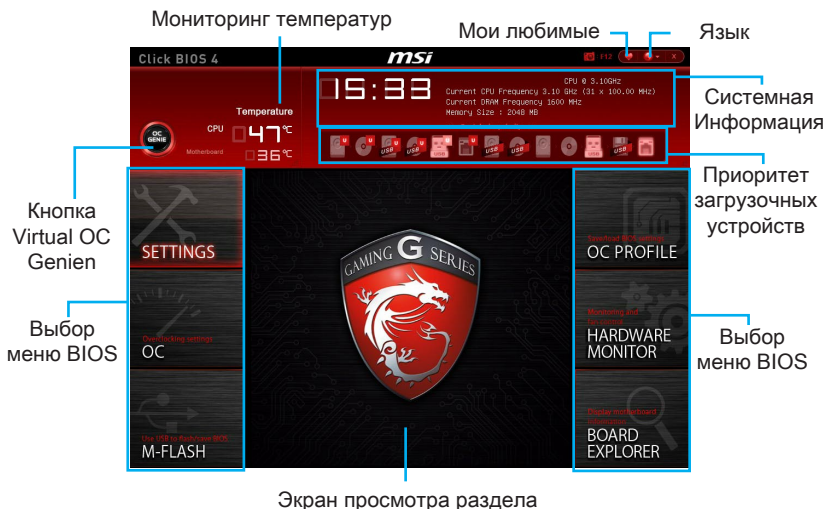


### **Внимание**

- Не забудьте установить "MSI Fast Boot" до того как войти в настройки BIOS.
- Для улучшения работы системы содержимое каждого из разделов BIOS, рассматриваемое в данной главе, постоянно совершенствуется. Поэтому для новых версий BIOS оно может несколько отличаться от данного описания, которое можно использовать для справки.

## Общие Сведения

После входа в BIOS отображается следующий экран.



### ► Выбор меню BIOS

Доступны следующие опции:

- **SETTINGS** - В данном меню указывают параметры настройки для микропроцессора, загрузочного устройства.
- **OC** - Данное меню содержит элементы настройки частоты и напряжения. Увеличение частоты приводит к увеличению производительности, однако это может привести к нестабильной работе системы. Мы не рекомендуем неопытным пользователям производить разгон системы.
- **M-FLASH** - Позволяет выбрать метод обновления BIOS с USB флэш-диска.
- **OC PROFILE** -Используется для настройки различных профилей разгона.
- **HARDWARE MONITOR** - Это меню используется для установки скорости вентилятора и мониторинга напряжений системы.
- **BOARD EXPLORER** - Предоставляет информации об установленных устройствах на материнской плате.



## Работа

Вы можете управлять параметрами настройки BIOS с помощью мыши и клавиатуры. В нижеследующей таблице представлен перечень и описание «клавиш быстрого вызова» и функций мыши.

Клавиша быстрого вызова	Мыши	Описание
<↑↓→←>	 Перемещение указателя	Выбор элемента
<Enter>	 Щелчок/ щелчок кнопкой	Выбор элемента
<Esc>	 Щелчок кнопкой	Переход в меню Exit(Выход) или возврат к предыдущему меню из подменю
<+>	X	Увеличение или изменение значения параметра
<->		Уменьшение или изменение значения параметра
<F1>		Общая справка
<F2>		Избранный ассистент
<F3>		Вход в мое избранное меню
<F4>		Технические параметры процессора
<F5>		Вход в раздел Memory-Z
<F6>		Загрузить оптимизированные настройки по умолчанию
<F8>		Загрузить профиль разгона
<F9>		Сохранить профиль разгона
<F10>		Сохранение изменений и перезагрузка
<F12>		Сохранение снимка экрана на флэш-накопителе FAT/FAT32

## Меню OC

Данное меню предназначено для опытных пользователей и предоставляет возможности для "разгона" системы.



### Внимание

- Разгонять ПК вручную рекомендуется только опытным пользователям.
- Производитель не гарантирует успешность разгона. Неправильное выполнение разгона может привести к аннулированию гарантии и серьезному повреждению оборудования.
- Неопытным пользователям, рекомендуется использовать OC Genie.

#### ► Simple/Advanced Mode [Simple]

Включает или выключает расширенные настройки разгона в BIOS.

[Simple] Обеспечивает регулярные параметры разгона в настройке BIOS.

[Advanced] Обеспечивает расширенные параметры разгона для опытных пользователей для настройки в BIOS.

Примечание: Символом \* отмечаются параметры разгона расширенного режима Advanced mode.

#### < Настройка процессора >

##### ► Adjust CPU Ratio [Auto]

Задание множителя процессора для установки его тактовой частоты процессора. Изменение данного параметра возможно только в том случае, если процессор поддерживает данную функцию.

##### ► Adjusted CPU Frequency

Показывает текущую частоту ЦП. Это значение нельзя изменять.

► **Adjust Ring Ratio [Auto]**

Установка множителя шины Ring. Диапазон допустимых значений зависит от установленного процессора.

► **Adjusted Ring Frequency**

Показывает скорректированную частоту шины Ring. Это значение нельзя изменить.

► **Adjust GT Ratio [Auto]**

Установка множителя для интегрированной графики. Диапазон допустимых значений зависит от установленного процессора.

► **Adjusted GT Frequency**

Показывает настроенную частоту интегрированной графики. Это значение нельзя изменять.

< **Настройка BCLK процессора** >

► **CPU Base Clock (MHz) [Default]**

Установка базовой тактовой частоты ЦП. Изменение этого параметра обеспечивает возможность «разгона» ЦП. Обращаем ваше внимание на то, что компания не гарантирует успешность выполнения разгона и стабильность системы. Этот пункт появляется, когда установленный процессор поддерживает данную функцию.

< **Настройка DRAM** >

► **DRAM Reference Clock [Auto]\***

Установка референсной частоты DRAM. Диапазон допустимых значений зависит от установленного процессора. Этот пункт доступен, когда соответствующий процессор.

► **DRAM Frequency [Auto]**

Установка частоты памяти (DRAM). Обратите внимание, что возможность успешного разгона не гарантируется.

► **Adjusted DRAM Frequency**

Показывает текущую частоту DRAM. Это значение нельзя изменять.

► **DRAM Timing Mode [Auto]**

Режимы таймингов памяти.

[Auto] Временные параметры DRAM устанавливаются на основе SPD (Serial Presence Detect) модуля памяти.

[Link] Позволяет пользователю настроить тайминги DRAM вручную для всех каналов памяти.

[UnLink] Позволяет пользователю настроить тайминги DRAM вручную для соответствующего канала памяти.

### ► Advanced DRAM Configuration

Нажмите <Enter> для входа в подменю. Данное подменю будет доступно после установки [Link] или [Unlink] в режиме “DRAM Timing Mode”. Пользователь может настроить тайминги для каждого канала памяти. Система может работать нестабильно или не загружается после изменения таймингов памяти. Если система работает нестабильно, пожалуйста, очистите данные CMOS и восстановите настройки по умолчанию. (см. переключатель очистки данных CMOS/раздел кнопки для очистки данных CMOS и вход в BIOS, чтобы загрузить настройки по умолчанию.)

### ► Memory Fast Boot [Auto]

Включает или выключает инициализацию тренировки памяти при каждой загрузке.

[Auto] Этот параметр будет настроен автоматически с помощью BIOS.

[Enabled] Память будет полностью имитировать настройки при первой инициализации и тренировке. После этого память не будет инициализирована с измененными настройками для ускорения загрузки.

[Disabled] Память будет инициализирована и тренирована при каждой загрузке.

### < Настройка напряжения >

#### ► DigitALL Power

Нажмите <Enter> для входа в подменю. Управляет цепями, связанными с PWM процессора.

#### ► VR 12VIN OCP Expander [Auto]

Расширяет ограничение тока VR для защиты процессора с входным напряжением 12В. Чем выше значение расширения тем ниже степень защиты. Поэтому, настройте текущее напряжение тщательно при необходимости, или может выходить CPU/ VR MOS из строя. При установке в “Auto”, BIOS автоматически настроит этот параметр.

#### ► CPU Phase Control [Auto]

Управление фазами PWM в зависимости от нагрузки процессора. При установке в “Auto”, BIOS автоматически оптимизирует работу фаз CPU PWM.

[Auto] Этот параметр будет настроен автоматически с помощью BIOS.

[Normal] Устанавливает нормальный профиль фазы питания для процессора, он может обеспечить стабильную производительность системы и эффективное энергосбережение.

[Optimized] Устанавливает оптимальный профиль фазы питания для процессора, он может обеспечить систему с оптимальной способностью энергосбережения.

[Disabled] Выключает функцию переключения фаз питания PWM.

► **CPU Vdroop Offset Control [Auto]**

Устанавливает напряжение смещения в процентах для vdroop процессора. При установке в "Auto", BIOS автоматически настроит этот параметр.

► **CPU Over Voltage Protection [Auto]**

Устанавливает верхнюю границу максимального напряжения для защиты процессора от слишком высокого напряжения. Если установлено "Auto", BIOS автоматически настроит этот параметр. Чем выше значение тем ниже степень защиты и выше вероятность выхода системы из строя.

► **CPU Under Voltage Protection [Auto]**

Устанавливает нижнюю границу напряжения для защиты процессора от слишком низкого напряжения. Если установлено "Auto", BIOS автоматически настроит этот параметр. Чем выше значение тем ниже степень защиты и выше вероятность выхода системы из строя.

► **CPU Over Current Protection [Auto]**

Устанавливает ограничение по максимальному току для защиты процессора. При установке в "Auto", BIOS автоматически настроит этот параметр. Слишком высокое значение может привести к повреждению системы.

► **Phase Over Current Protection [Enabled]**

Включает или выключает фазу от по максимальному току для защиты процессора.

[Enabled] Устанавливает ограничение по максимальному току для защиты процессора.

[Disabled] Функция выключена.

► **CPU Switching Frequency [Auto]**

Устанавливает скорость работы PWM для стабилизации напряжения ядра процессора и минимизации диапазона пульсаций. Увеличение рабочей скорости PWM приводит к сильному нагреву MOSFET. Перед тем как увеличить значение убедитесь, что охлаждение для MOSFET установлено. При установке в "Auto", BIOS автоматически настроит этот параметр.

► **CPU VRM Over Temperature Protection [Enabled]**

Включает или выключает CPU VRM для защиты от перегрева.

[Enabled] Устанавливает верхнее значение температуры на CPU VRM для защиты от перегрева. Частота процессора может быть регулируются, когда VRM процессора над заданной температуры.

[Disabled] Функция выключена.

► **CPU VRM Over Temperature Shutdown [Enabled]**

Установка выключения системы, когда температура CPU VRM превышает значение ограничения защиты.

[Enabled] Система будет выключен, когда над заданной температуры.

[Disabled] Функция выключена.

► **Digital Compensation Level [Auto]**

Устанавливает уровень компенсации для CPU PWM при изменении фазы MOS. При установке в "Auto", BIOS автоматически настроит этот параметр. Слишком высокое значение предоставляет большую возможность разгона.

► **Imon Overwrite [Auto]**

Устанавливает Imon ток для процессора.

[Auto] Этот параметр будет настроен автоматически с помощью BIOS.

[Quarter] Устанавливает Imon ток в четверть.

[Half] Устанавливает Imon ток в половину.

[Disabled] Устанавливает значения по умолчанию для Imon тока.

► **Transient Boost [Disabled]**

Включает или выключает переходный импульс.

[Enabled] Включение этой функции может привести в стабильную систему при нагрузке системы.

[Disabled] Функция выключена.

► **SVID Communication [Auto]\***

Включение или выключение поддержки SVID (Serial Voltage Identification).

[Auto] Этот параметр будет настроен автоматически с помощью BIOS.

[Enabled] Фаза PWM будет изменена в зависимости от SVID процессора (Serial Voltage Identification).

[Disabled] Выключение поддержки SVID (Serial Voltage Identification).

► **VCCIN Voltage [Auto]**

Установка входного напряжения процессора. Входное напряжение процессора используется для питания различных блоков процессора.

► **CPU Core Voltage/ CPU Ring Voltage/ CPU GT Voltage [Auto]**

Установка напряжений ядра процессора/ шины Ring/ GT. При установке в "Auto", BIOS установит напряжения автоматически. Вы также можете настроить напряжения вручную.

► **CPU SA Voltage/ CPU IO Analog Voltage/ CPU IO Digital Voltage [Auto]**

Установка напряжений CPU SA/ IO Analog/ IO Digital. При установке в "Auto", BIOS установит напряжения автоматически. Вы также можете настроить напряжения вручную.

► **XXX Voltage [Auto]\*** (опционально)

Задает напряжения, связанные с памятью / PCH. При установке в "Auto", BIOS установит напряжения автоматически. Вы также можете настроить напряжения вручную.

< **Другие настройки** >

► **CPU Specifications**

Нажмите <Enter> для входа в подменю. В этом подменю представлена информация об установленном процессоре. Для просмотра этой информации в любое время нажмите на кнопку [F4]. Это значение нельзя изменять.

► **CPU Technology Support**

Нажмите <Enter> для входа в подменю. В данном подменю отображаются основные функции, поддерживаемые установленным процессором. Это значение нельзя изменять.

► **MEMORY-Z**

Нажмите <Enter> для входа в подменю. В подменю выделены все параметры и тайминги установленной памяти. Для просмотра этой информации в любое время нажмите на кнопку [F5].

► **DIMM1~4 Memory SPD**

Нажмите <Enter> для входа в подменю. Это подменю показывает информацию об установленной памяти. Это значение нельзя изменять.

► **CPU Features**

Нажмите <Enter> для входа в подменю.

► **Hyper-Threading Technology [Enabled]**

Процессор использует технологию Hyper-threading для увеличения производительности. Технология Intel Hyper-Threading позволяет нескольким наборам регистров в процессоре исполнять инструкции одновременно. Это существенно увеличивает производительность системы.

[Enable] Включить технологию Intel Hyper-Threading.

[Disabled] Выключите эту функцию, если система не поддерживает функцию HT.

► **Active Processor Cores [All]**

Этот пункт позволяет задать число активных ядер процессора.

► **Limit CPUID Maximum [Disabled]**

Включение или выключение расширенных значений CPUID.

[Enabled] BIOS будет ограничивать максимальное входное значение CPUID для обхода проблемы загрузки с старой операционной системы, не поддерживающие процессор с расширенными значениями CPUID.

[Disabled] Используйте фактическое максимальное входное значение CPUID.

► **Execute Disable Bit [Enabled]**

Функция Intel's Execute Disable Bit позволяет защититься от некоторых видов злонамеренных действий типа «ошибки переполнения буфера», при которых вирусы пытаются выполнить код, разрушающий систему. Рекомендуется не отключать данную функцию.

[Enabled] NO-Execution позволяет защититься от злонамеренных действий и вирусы.

[Disabled] Выключение этой функции.

► **Intel Virtualization Tech [Enabled]**

Включение или выключение технологии Intel Virtualization.

[Enabled] Включает технологию Intel Virtualization и позволяет платформе запускать несколько операционных систем в независимых разделах. Система может функционировать виртуально сразу с несколькими операционными системами.

[Disabled] Выключение этой функции.

► **Hardware Prefetcher [Enabled]**

Включение или выключение аппаратной предвыборки (MLC Streamer prefetcher).

[Enabled] Позволяет автоматически реализовывать предвыборку данных и инструкций из памяти в кэш L2 для настройки производительности процессора.

[Disabled] Выключение аппаратной предвыборки.

► **Adjacent Cache Line Prefetch [Enabled]**

Включение или выключение предвыборки процессора (MLC Spatial prefetcher).

[Enabled] Включение соседней предвыборки линии кэша для сокращения времени задержки кэша и настройки производительности для конкретного использования.

[Disabled] Выключает запрашиваемую линию кэша.

► **CPU AES Instructions [Enabled]**

Включение или выключение поддержки CPU AES (Advanced Encryption Standard-New Instructions). Этот пункт появляется, когда процессор поддерживает эту функцию.

[Enabled] Включение поддержки Intel AES.

[Disabled] Выключение поддержки Intel AES.

► **Intel Adaptive Thermal Monitor [Enabled]**

Включение или выключение этой функции для защиты процессора от перегрева.

[Enabled] Уменьшает частоту ядра процессора, когда процессор превышает адаптивную температуру.

[Disabled] Выключение функции.

#### ► Intel C-State [Auto]

C-state- это технология управления питанием процессора, определяется ACPI.

[Auto] Параметр будет настроен автоматически с помощью BIOS.

[Enabled] Определяет состояние простоя системы и значительно сокращает энергопотребление процессором.

[Disabled] Выключение функции.

#### ► C1E Support [Disabled]

Включение или выключение функции C1E для энергосбережения в состоянии остановки. Этот элемент появляется при включении "Intel C-State".

[Enabled] Включение функции C1E для снижения частоты и напряжения процессора для энергосбережения в состоянии остановки.

[Disabled] Функция выключена.

#### ► Package C State limit [Auto]

Данный параметр позволяет выбрать режим C-state для энергосбережения при простое системы. Этот элемент появляется при включении "Intel C-State".

[Auto] Параметр будет настроен автоматически с помощью BIOS.

[C0~C7s] Уровни энергосбережения от высокого к низкому (C7s, C7, C6, C3, C2, C0).

#### ► LakeTiny Feature [Disabled]

Включение или выключение технологии Intel Lake Tiny с iRST для SSD. Этот элемент появляется, когда установленный процессор поддерживает данную функцию и при включении "Intel C-State".

[Enabled] Повышение динамической нагрузки IO скорректированной производительности для ускорения скорости SSD.

[Disabled] Функция выключена.

#### ► EIST [Enabled]

Включение или выключение технологии Enhanced Intel® SpeedStep. Этот пункт появится, когда "Simple/ Advanced Mode" установлено в [Simple].

[Enabled] Включение EIST для регулировки напряжения и частоты ядра процессора. Этот пункт может снизить среднее энергопотребление и тепло.

[Disabled] Выключение EIST.

#### ► Intel Turbo Boost [Enabled]

Включение или выключение Intel® Turbo Boost. Этот пункт для простого режима и появляется, когда установленный процессор поддерживает данную функцию.

[Enabled] Включение этой функции приводит к автоматическому увеличению производительности процессора.

[Disabled] Функция выключена.

► **Long Duration Power Limit (W) [Auto]**

Настроить предельную мощность TDP на длительный срок для CPU в режиме Turbo Boost.

► **Long Duration Maintained (s) [Auto]**

Настроить максимальное время работы процессора с ограничением мощности при Long Duration Power Limit.

► **Short Duration Power Limit (W) [Auto]**

Настроить предельную мощность TDP на короткий срок для процессора в режиме Turbo Boost.

► **CPU Current limit (A) [Auto]**

Устанавливает текущий максимальный предел тока в режиме Turbo Boost. Когда текущий ток превышает указанный предел, процессор будет автоматически снижать частоты ядра для уменьшения тока.

► **Internal VR OVP OCP Protection [Auto]**

Включение или выключение защиты от перенапряжения и перегрузки по току для внутренних регуляторов напряжения процессора.

[Auto] Этот параметр будет настроен автоматически с помощью BIOS.

[Enabled] Устанавливает предел напряжения на внутренних регуляторах напряжения процессора для защиты от перенапряжения и перегрузки по току.

[Disabled] Выключение функции.

► **Internal VR Efficiency Management [Auto]**

Включение или выключение управления эффективностью внутренних регуляторов напряжения процессора.

[Auto] Этот параметр будет настроен автоматически с помощью BIOS.

[Enabled] Включает управление эффективностью регуляторов для контроля энергосбережения .

[Disabled] Выключение функции.

# Installation/ Установка

This chapter provides demonstration diagrams about how to install your computer. Some of the installations also provide video demonstrations. Please link to the URL to watch it with the web browser on your phone or tablet. You may have even link to the URL by scanning the QR code.

Das vorliegende Kapitel bietet die Demo-Diagrammen, wie Sie Ihren Computer zu installieren. Einige der Installationen auch bieten die Videodemonstrationen. Bitte geben Sie die URL, um es mit dem Web-Browser auf Ihrem Handy ode Tablet zu sehen. Sie können sogar auf die URL durch das Scannen des QR Code verlinken.

Ce chapitre fournit des figures pour montrer comment installer votre ordinateur. La démonstration de vidéo est disponible pour certaines installations. Veuillez vous connecter à URL pour le voir, soit avec le navigateur de votre portable ou tablette, soit scanner le code QR.

В этой главе приведена демонстрация диаграмм о том, как установить ваш компьютер. Часть установки также предоставляет видео-демонстрации. Соединяйте на URL, чтобы посмотреть его с веб-браузером на телефоне или планшетном компьютере. Вы даже соединить на URL с помощью сканирования QR-кода.



*The diagrams in this chapter are for reference only and may vary from the product you purchased.*

*Die Diagramme in diesem Kapitel sind nur zur Bezugnahme und können von Ihnen gekauften Produkt abweichen.*

*Les figures dans ce chapitre ne sont qu'à titre de référence et peuvent varier selon le modèle que vous achetez.*

*Диаграммы в этой главе приведены только для справки и могут отличаться от купленного вами продукта.*

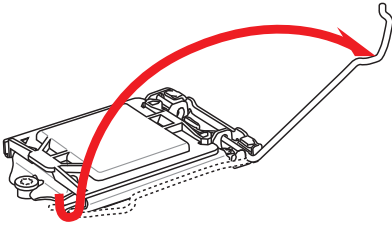
# CPU



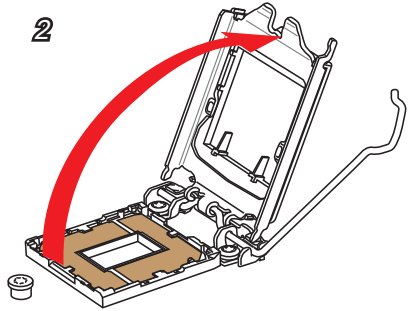
<http://youtu.be/bf5La099url>

Installation/ Установка

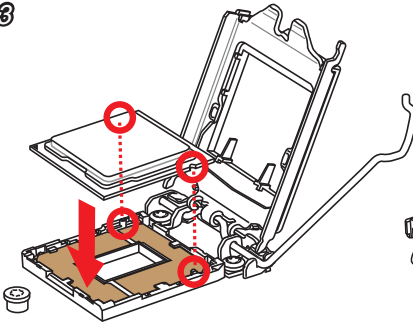
1



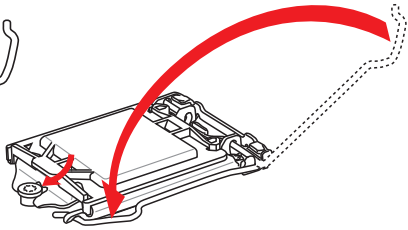
2



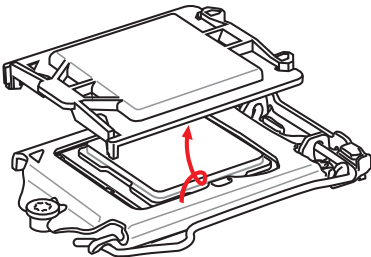
3



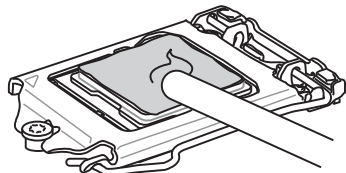
4



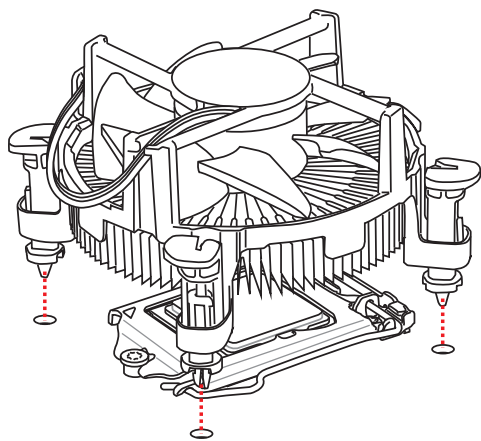
5



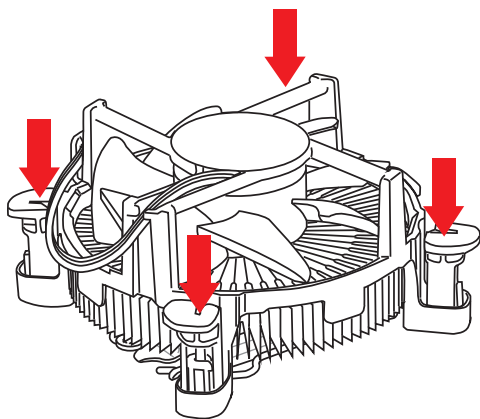
6



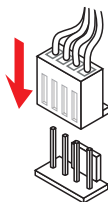
7



8



9

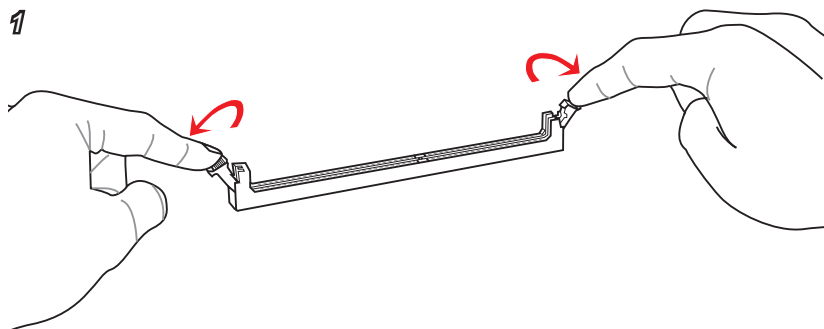


# Memory/ Speicher/ Mémoire/ Памяти

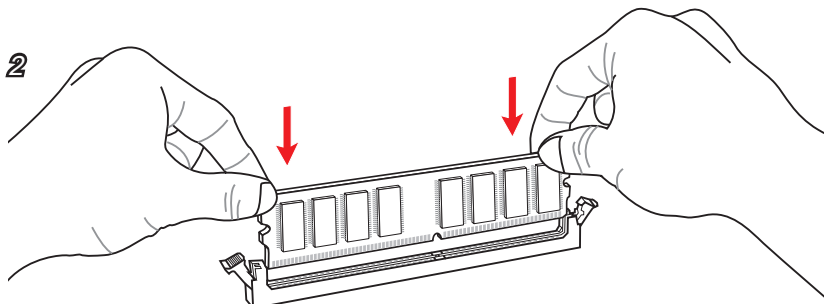


<http://youtu.be/76yLtJaKICQ>

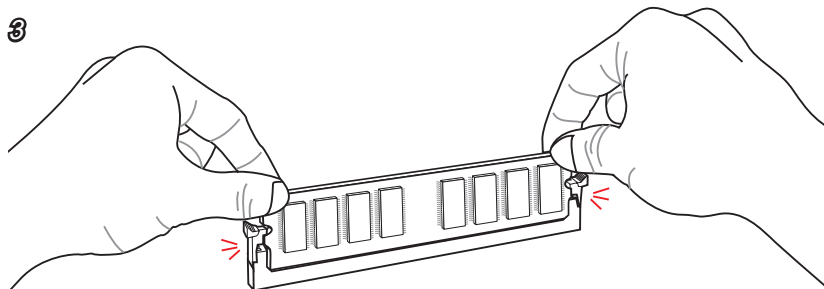
1



2

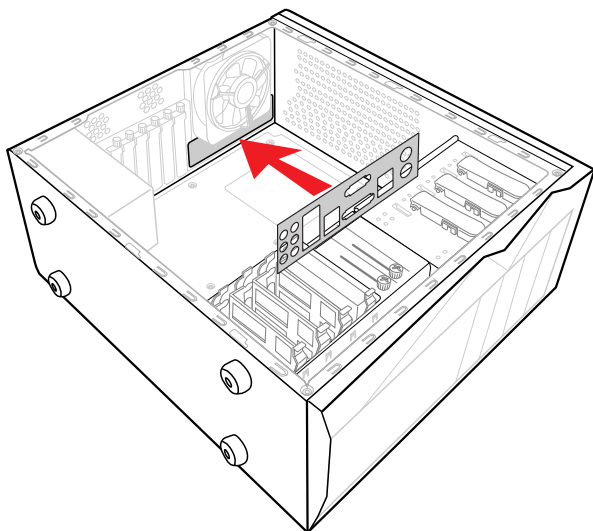


3

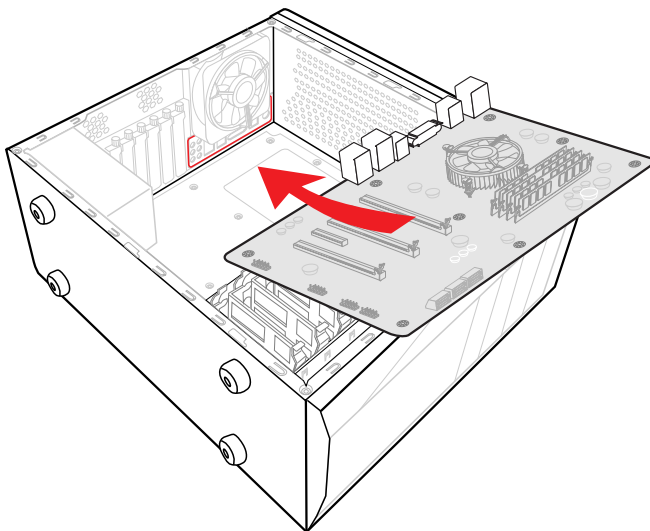


# Motherboard/ Carte mère/ Материнские платы

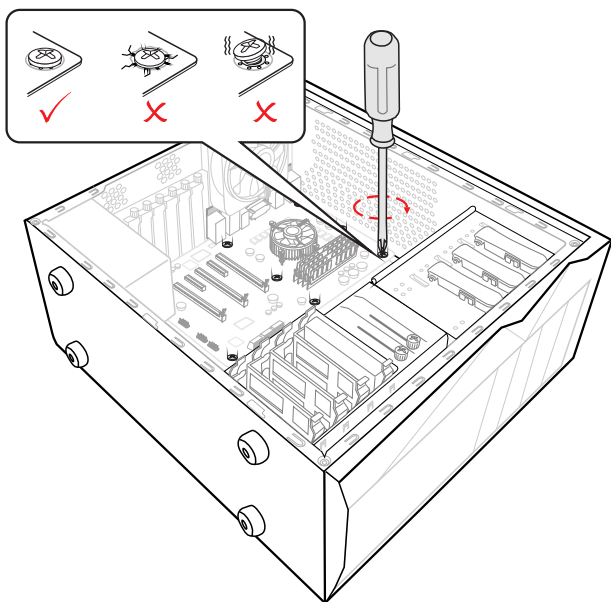
1



2



69



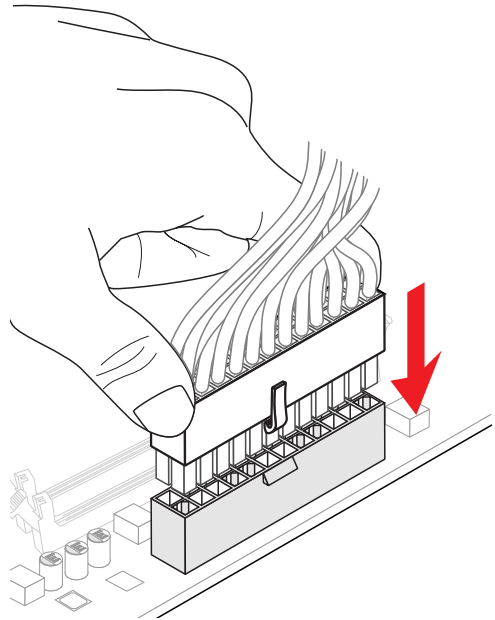
# Power Connector/ ATX-Stromanschluss/

## Connecteurs d'alimentation/ Разъема питания

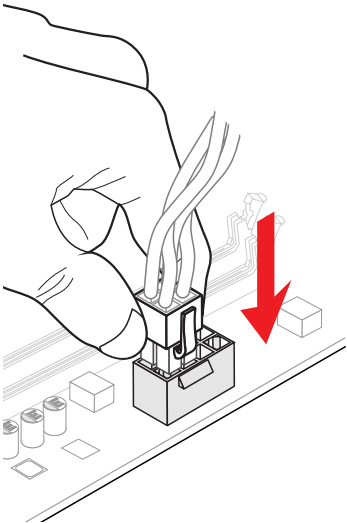


[http://youtu.be/gkDYyR\\_8314](http://youtu.be/gkDYyR_8314)

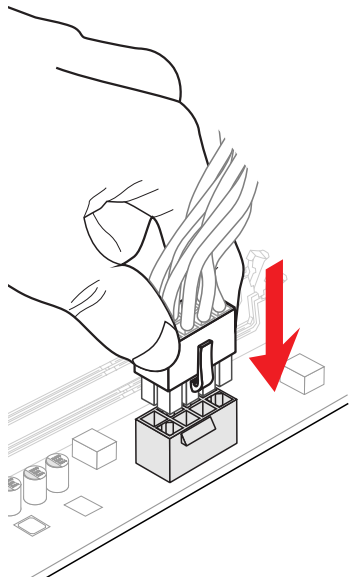
1



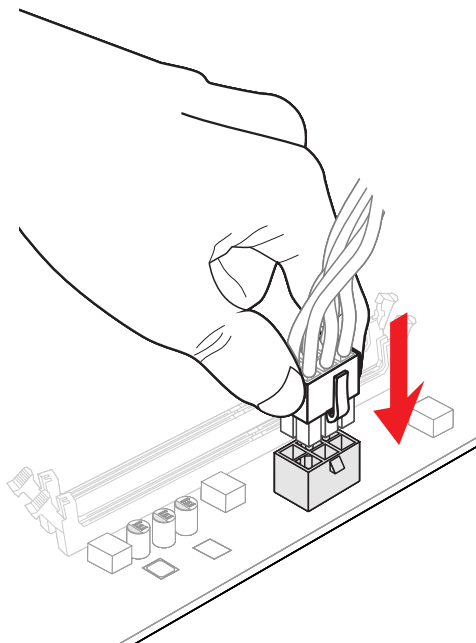
2



*or  
oder  
ou  
или*



3

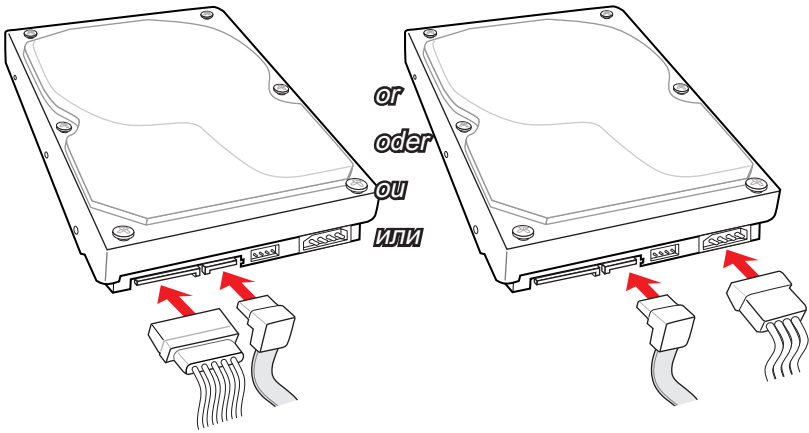


# SATA HDD

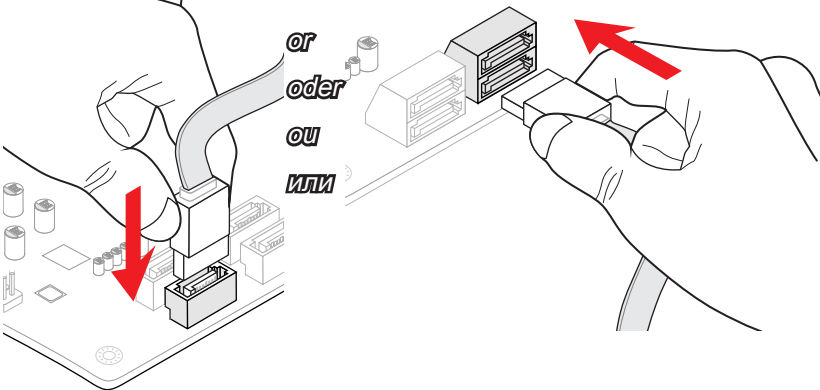


<http://youtu.be/RZsMpqxythc>

1

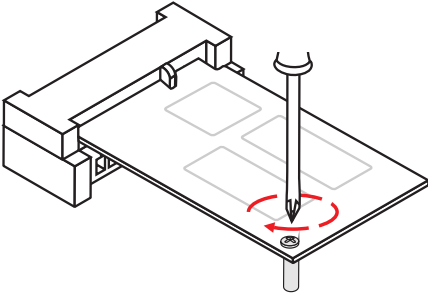
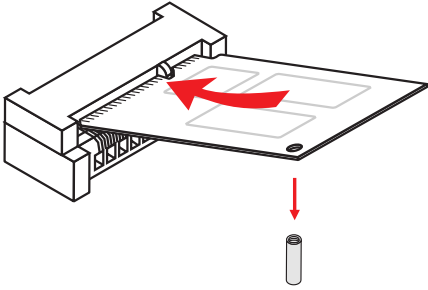
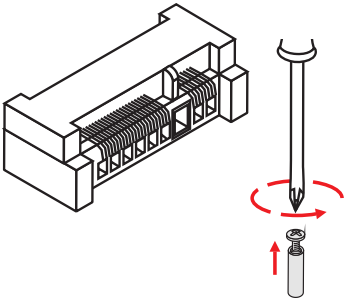


2



# mSATA SSD

Installation/ Установка



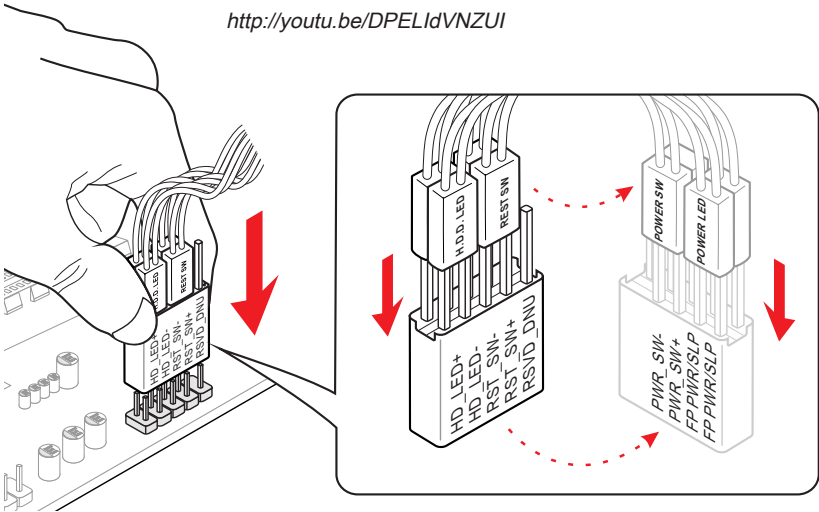
# Front Panel Connector/ Frontpanel Anschluss/

# Connecteur panneau avant/ Разъемов передней панели

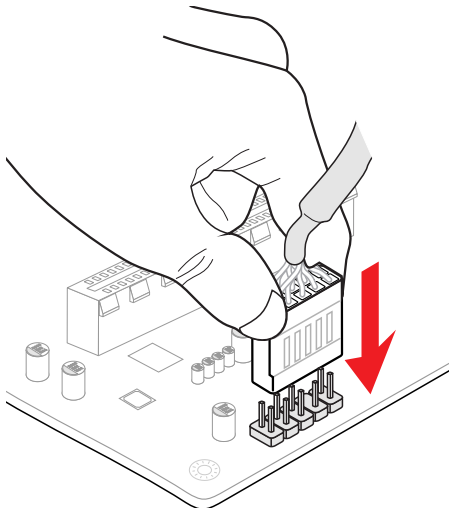
JFP1



<http://youtu.be/DPELIdVNZUI>



JAUD1

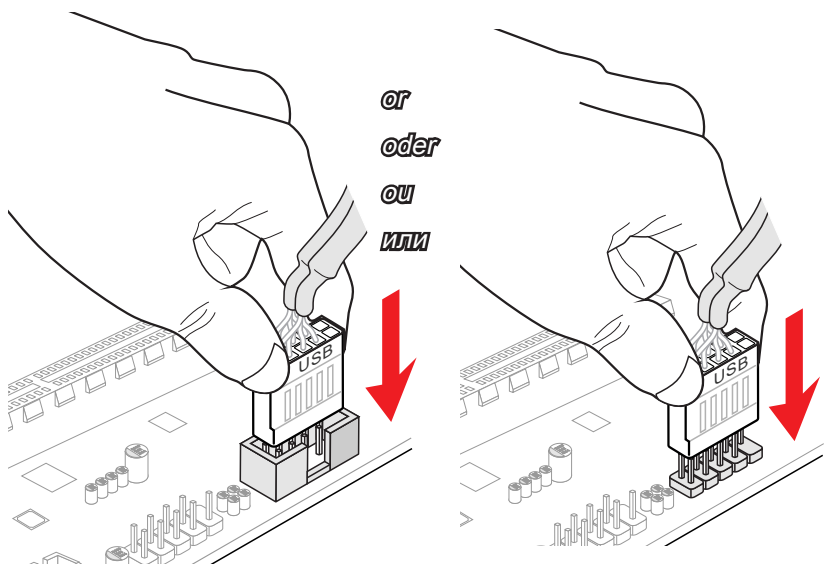


Peripheral Connector/ Peripheriestecker/

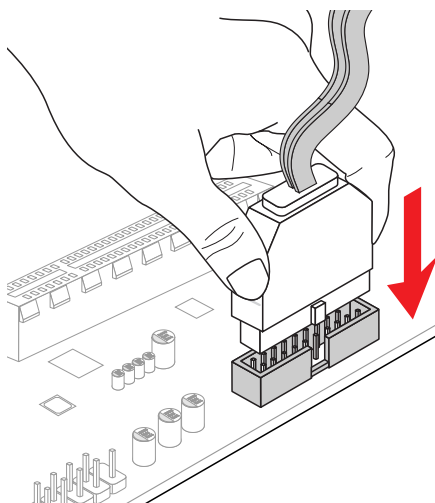
Connecteur périphérique/ Периферийных разъемов

Installation/ Установка

USB2.0



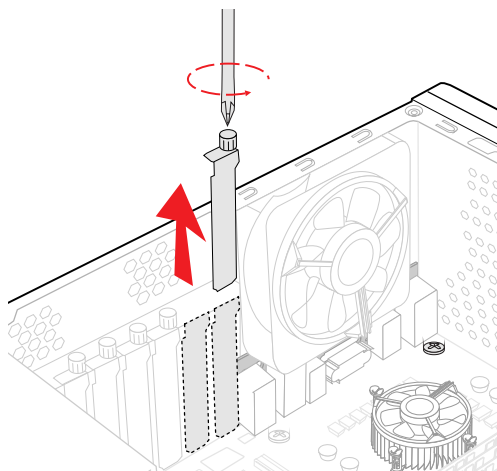
USB3.0



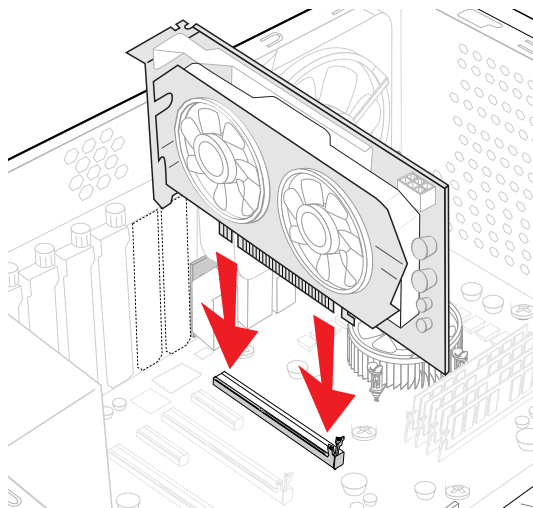


[http://youtu.be/mG0GZpr9w\\_A](http://youtu.be/mG0GZpr9w_A)

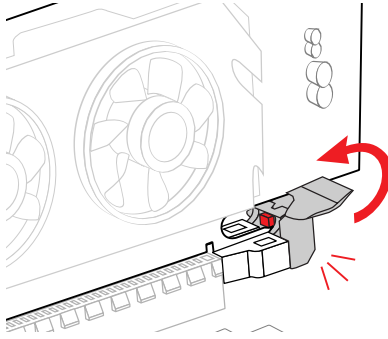
1



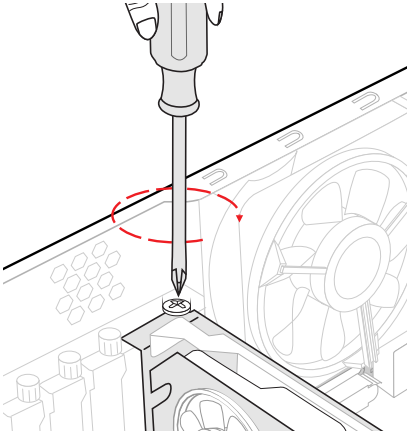
2



3



4



5

