

Preface

Z97A GAMING 9 ACK
Motherboard

Copyright Notice

The material in this document is the intellectual property of **MICRO-STAR INTERNATIONAL**. We take every care in the preparation of this document, but no guarantee is given as to the correctness of its contents. Our products are under continual improvement and we reserve the right to make changes without notice.

Trademarks

All trademarks in this manual are properties of their respective owners.

- MSI® is registered trademark of Micro-Star Int'l Co.,Ltd.
- NVIDIA® is registered trademark of NVIDIA Corporation.
- ATI® is registered trademark of AMD Corporation.
- AMD® is registered trademarks of AMD Corporation.
- Intel® is registered trademarks of Intel Corporation.
- Windows® is registered trademarks of Microsoft Corporation.
- AMI® is registered trademark of American Megatrends Inc.
- Award® is a registered trademark of Phoenix Technologies Ltd.
- Sound Blaster® is registered trademark of Creative Technology Ltd.
- Realtek® is registered trademark of Realtek Semiconductor Corporation.
- JMicron® is registered trademark of JMicron Technology Corporation.
- Netware® is registered trademark of Novell, Inc.
- Lucid® is trademark of LucidLogix Technologies, Ltd.
- VIA® is registered trademark of VIA Technologies, Inc.
- ASMedia® is registered trademark of ASMedia Technology Inc.
- iPad, iPhone, and iPod are trademarks of Apple Inc.
- Qualcomm Atheros and Killer are trademarks of Qualcomm Atheros Inc.

Revision History

Revision	Revision History	Date
V1.2	Release for Z97A GAMING 9 ACK	2015/ 01

Smartphone Application



MSI* is a smart web gadget that works as a shopping navigator and provides specs comparison for IT buyers. With a simple tap of the smartphone, you'll efficiently locate your ideal products from a wide variety of choices and, if product details are required, you may easily download user manuals within minutes. Better yet, the power calculator provides accurate estimates of power unit capacity for DIY users.



Technical Support

If a problem arises with your system and no solution can be obtained from the user's manual, please contact your place of purchase or local distributor. Alternatively, please try the following help resources for further guidance.



Visit the MSI website for technical guide, BIOS updates, driver updates, and other information:
<http://www.msi.com/support/>



Contact our technical staff at:
<http://register.msi.com/>

Safety Instructions

- Always read the safety instructions carefully.
- Keep this User's Manual for future reference.
- Keep this equipment away from humidity.
- Lay this equipment on a reliable flat surface before setting it up.
- The openings on the enclosure are for air convection hence protects the equipment from overheating. **DO NOT COVER THE OPENINGS.**
- Make sure the voltage of the power source is at 110/220V before connecting the equipment to the power inlet.
- Place the power cord such a way that people can not step on it. Do not place anything over the power cord.
- Always Unplug the Power Cord before inserting any add-on card or module.
- All cautions and warnings on the equipment should be noted.
- Never pour any liquid into the opening that can cause damage or cause electrical shock.
- If any of the following situations arises, get the equipment checked by service personnel:
 - The power cord or plug is damaged.
 - Liquid has penetrated into the equipment.
 - The equipment has been exposed to moisture.
 - The equipment does not work well or you can not get it work according to User's Manual.
 - The equipment has been dropped and damaged.
 - The equipment has obvious sign of breakage.
- **DO NOT LEAVE THIS EQUIPMENT IN AN ENVIRONMENT ABOVE 60°C (140°F), IT MAY DAMAGE THE EQUIPMENT.**

FCC-B Radio Frequency Interference Statement

This equipment has been tested and found to comply with the limits for a Class B digital device, pursuant to Part 15 of the FCC Rules. These limits are designed to provide reasonable protection against harmful interference in a residential installation. This equipment generates, uses and can radiate radio frequency energy and, if not installed and used in accordance with the instructions, may cause harmful interference to radio communications. However, there is no guarantee that interference will not occur in a particular installation. If this equipment does cause harmful interference to radio or television reception, which can be determined by turning the equipment off and on, the user is encouraged to try to correct the interference by one or more of the measures listed below.

- Reorient or relocate the receiving antenna.
- Increase the separation between the equipment and receiver.
- Connect the equipment into an outlet on a circuit different from that to which the receiver is connected.
- Consult the dealer or an experienced radio/television technician for help.

Notice 1

The changes or modifications not expressly approved by the party responsible for compliance could void the user's authority to operate the equipment.

Notice 2

Shielded interface cables and A.C. power cord, if any, must be used in order to comply with the emission limits.

VOIR LA NOTICE D'INSTALLATION AVANT DE RACCORDER AU RESEAU.



This device complies with Part 15 of the FCC Rules. Operation is subject to the following two conditions:

- 1) this device may not cause harmful interference, and
- 2) this device must accept any interference received, including interference that may cause undesired operation.

CE Conformity

Hereby, Micro-Star International CO., LTD declares that this device is in compliance with the essential safety requirements and other relevant provisions set out in the European Directive.



Radiation Exposure Statement

This equipment complies with FCC radiation exposure limits set forth for an uncontrolled environment. This equipment and its antenna should be installed and operated with minimum distance 20 cm between the radiator and your body. This equipment and its antenna must not be co-located or operating in conjunction with any other antenna or transmitter.

European Community Compliance Statement

The equipment complies with the RF Exposure Requirement 1999/519/EC, Council Recommendation of 12 July 1999 on the limitation of exposure of the general public to electromagnetic fields (0–300GHz). This wireless device complies with the R&TTE Directive.

Taiwan Wireless Statements

無線設備警告聲明

經型式認證合格之低功率射頻電機，非經許可，公司、商號或使用者均不得擅自變更頻率、加大功率或變更原設計之特性及功能。

低功率射頻電機之使用不得影響飛航安全及干擾合法通信；經發現有干擾現象時，應立即停用，並改善至無干擾時方得繼續使用。前項合法通信，指依電信法規定作業之無線電通信。低功率射頻電機須忍受合法通信或工業、科學及醫療用電波輻射性電機設備之干擾。

警告使用者：這是甲類資訊產品，在居住的環境中使用時，可能會造成無線電干擾，在這種情況下，使用者會被要求採取某些適當的對策。

Japan VCCI Class B Statement

クラス B 情報技術装置

この装置は、情報技術装置等電波障害自主規制協議会（VCCI）の基準に基づくクラスB情報技術装置です。この装置が家庭内でラジオやテレビジョン受信機に近接して使われると、受信障害を引き起こすことがあります。取扱説明書にしたがって正しい取り扱いをしてください。

Korea Warning Statements

당해 무선설비는 운용중 전파혼신 가능성이 있음

Battery Information



European Union:

Batteries, battery packs, and accumulators should not be disposed of as unsorted household waste. Please use the public collection system to return, recycle, or treat them in compliance with the local regulations.



Taiwan:

For better environmental protection, waste batteries should be collected separately for recycling or special disposal.

廢電池請回收



California, USA:

The button cell battery may contain perchlorate material and requires special handling when recycled or disposed of in California.

For further information please visit:

<http://www.dtsc.ca.gov/hazardouswaste/perchlorate/>

CAUTION: There is a risk of explosion, if battery is incorrectly replaced.
Replace only with the same or equivalent type recommended by the manufacturer.

Chemical Substances Information

In compliance with chemical substances regulations, such as the EU REACH Regulation (Regulation EC No. 1907/2006 of the European Parliament and the Council), MSI provides the information of chemical substances in products at:

http://www.msi.com/html/popup/csr/evmtprtt_pcm.html

WEEE (Waste Electrical and Electronic Equipment) Statement

ENGLISH

To protect the global environment and as an environmentalist, MSI must remind you that...

Under the European Union ("EU") Directive on Waste Electrical and Electronic Equipment, Directive 2002/96/EC, which takes effect on August 13, 2005, products of "electrical and electronic equipment" cannot be discarded as municipal wastes anymore, and manufacturers of covered electronic equipment will be obligated to take back such products at the end of their useful life. MSI will comply with the product take back requirements at the end of life of MSI-branded products that are sold into the EU. You can return these products to local collection points.



DEUTSCH

Hinweis von MSI zur Erhaltung und Schutz unserer Umwelt

Gemäß der Richtlinie 2002/96/EG über Elektro- und Elektronik-Altgeräte dürfen Elektro- und Elektronik-Altgeräte nicht mehr als kommunale Abfälle entsorgt werden. MSI hat europaweit verschiedene Sammel- und Recyclingunternehmen beauftragt, die in die Europäische Union in Verkehr gebrachten Produkte, am Ende seines Lebenszyklus zurückzunehmen. Bitte entsorgen Sie dieses Produkt zum gegebenen Zeitpunkt ausschliesslich an einer lokalen Altgerätesammelstelle in Ihrer Nähe.

FRANÇAIS

En tant qu'écologiste et afin de protéger l'environnement, MSI tient à rappeler ceci...

Au sujet de la directive européenne (EU) relative aux déchets des équipement électriques et électroniques, directive 2002/96/EC, prenant effet le 13 août 2005, que les produits électriques et électroniques ne peuvent être déposés dans les décharges ou tout simplement mis à la poubelle. Les fabricants de ces équipements seront obligés de récupérer certains produits en fin de vie. MSI prendra en compte cette exigence relative au retour des produits en fin de vie au sein de la communauté européenne. Par conséquent vous pouvez retourner localement ces matériels dans les points de collecte.

РУССКИЙ

Компания MSI предпринимает активные действия по защите окружающей среды, поэтому напоминаем вам, что....

В соответствии с директивой Европейского Союза (ЕС) по предотвращению загрязнения окружающей среды использованным электрическим и электронным оборудованием (директива WEEE 2002/96/EC), вступающей в силу 13 августа 2005 года, изделия, относящиеся к электрическому и электронному оборудованию, не могут рассматриваться как бытовой мусор, поэтому производители вышеперечисленного электронного оборудования обязаны принимать его для переработки по окончании срока службы. MSI обязуется соблюдать требования по приему продукции, проданной под маркой MSI на территории ЕС, в переработку по окончании срока службы. Вы можете вернуть эти изделия в специализированные пункты приема.

ESPAÑOL

MSI como empresa comprometida con la protección del medio ambiente, recomienda: Bajo la directiva 2002/96/EC de la Unión Europea en materia de desechos y/o equipos electrónicos, con fecha de rigor desde el 13 de agosto de 2005, los productos clasificados como “eléctricos y equipos electrónicos” no pueden ser depositados en los contenedores habituales de su municipio, los fabricantes de equipos electrónicos, están obligados a hacerse cargo de dichos productos al termino de su período de vida. MSI estará comprometido con los términos de recogida de sus productos vendidos en la Unión Europea al final de su periodo de vida. Usted debe depositar estos productos en el punto limpio establecido por el ayuntamiento de su localidad o entregar a una empresa autorizada para la recogida de estos residuos.

NEDERLANDS

Om het milieu te beschermen, wil MSI u eraan herinneren dat...

De richtlijn van de Europese Unie (EU) met betrekking tot Vervuiling van Electriche en Electronische producten (2002/96/EC), die op 13 Augustus 2005 in zal gaan kunnen niet meer beschouwd worden als vervuiling. Fabrikanten van dit soort producten worden verplicht om producten retour te nemen aan het eind van hun levenscyclus. MSI zal overeenkomstig de richtlijn handelen voor de producten die de merknaam MSI dragen en verkocht zijn in de EU. Deze goederen kunnen geretourneerd worden op lokale inzamelingspunten.

SRPSKI

Da bi zaštitili prirodnu sredinu, i kao preduzeće koje vodi računa o okolini i prirodnoj sredini, MSI mora da vas pedesti da...

Po Direktivi Evropske unije (“EU”) o odbačenoj eelektronskoj i električnoj opremi, Direktiva 2002/96/EC, koja stupa na snagu od 13. Avgusta 2005, proizvodi koji spadaju pod “elektronsku i električnu opremu” ne mogu više biti odbačeni kao običan otpad i proizvođači ove opreme biće prinuđeni da uzmu natrag ove proizvode na kraju njihovog uobičajenog veka trajanja. MSI će poštovati zahtev o preuzimanju ovakvih proizvoda kojima je istekao vek trajanja, koji imaju MSI oznaku i koji su prodati u EU. Ove proizvode možete vratiti na lokalnim mestima za prikupljanje.

POLSKI

Aby chronić nasze środowisko naturalne oraz jako firma dbająca o ekologię, MSI przypomina, że...

Zgodnie z Dyrektywą Unii Europejskiej (“UE”) dotyczącą odpadów produktów elektrycznych i elektronicznych (Dyrektywa 2002/96/EC), która wchodzi w życie 13 sierpnia 2005, tzw. “produkty oraz wyposażenie elektryczne i elektroniczne “ nie mogą być traktowane jako śmieci komunalne, tak więc producenci tych produktów będą zobowiązani do odbierania ich w momencie gdy produkt jest wycofywany z użycia. MSI wypełni wymagania UE, przyjmując produkty (sprzedawane na terenie Unii Europejskiej) wycofywane z użycia. Produkty MSI będzie można zwracać w wyznaczonych punktach zbiorczych.

TÜRKÇE

Çevreci özelliğiyle bilinen MSI dünyada çevreyi korumak için hatırlatır:

Avrupa Birliği (AB) Kararnamesi Elektrik ve Elektronik Malzeme Atığı, 2002/96/EC Kararnamesi altında 13 Ağustos 2005 tarihinden itibaren geçerli olmak üzere, elektrikli ve elektronik malzemeler diğer atıklar gibi çöpe atılmayacak ve bu elektronik cihazların üreticileri, cihazların kullanım süreleri bittikten sonra ürünleri geri toplamakla yükümlü olacaktır. Avrupa Birliği'ne satılan MSI markalı ürünlerin kullanım süreleri bittiğinde MSI ürünlerin geri alınması isteği ile işbirliği içerisinde olacaktır. Ürünlerinizi yerel toplama noktalarına bırakabilirsiniz.

ČESKY

Záleží nám na ochraně životního prostředí - společnost MSI upozorňuje...

Podle směrnice Evropské unie ("EU") o likvidaci elektrických a elektronických výrobků 2002/96/EC platné od 13. srpna 2005 je zakázáno likvidovat "elektrické a elektronické výrobky" v běžném komunálním odpadu a výrobci elektronických výrobků, na které se tato směrnice vztahuje, budou povinni odebírat takové výrobky zpět po skončení jejich životnosti. Společnost MSI splní požadavky na odebírání výrobků značky MSI, prodávaných v zemích EU, po skončení jejich životnosti. Tyto výrobky můžete odevzdat v místních sběrnách.

MAGYAR

Annak érdekében, hogy környezetünket megvédjük, illetve környezetvédként fellépve az MSI emlékezteti Önt, hogy ...

Az Európai Unió („EU”) 2005. augusztus 13-án hatályba lépő, az elektromos és elektronikus berendezések hulladékairól szóló 2002/96/EK irányelve szerint az elektromos és elektronikus berendezések többé nem kezelhetőek lakossági hulladékként, és az ilyen elektronikus berendezések gyártói kötelesek válnak az ilyen termékek visszavételére azok hasznos élettartama végén. Az MSI betartja a termékvisszavétellel kapcsolatos követelményeket az MSI márkanév alatt az EU-n belül értékesített termékek esetében, azok élettartamának végén. Az ilyen termékeket a legközelebbi gyűjtőhelyre viheti.

ITALIANO

Per proteggere l'ambiente, MSI, da sempre amica della natura, ti ricorda che....

In base alla Direttiva dell'Unione Europea (EU) sullo Smaltimento dei Materiali Elettrici ed Elettronici, Direttiva 2002/96/EC in vigore dal 13 Agosto 2005, prodotti appartenenti alla categoria dei Materiali Elettrici ed Elettronici non possono più essere eliminati come rifiuti municipali: i produttori di detti materiali saranno obbligati a ritirare ogni prodotto alla fine del suo ciclo di vita. MSI si adegnerà a tale Direttiva ritirando tutti i prodotti marchiati MSI che sono stati venduti all'interno dell'Unione Europea alla fine del loro ciclo di vita. È possibile portare i prodotti nel più vicino punto di raccolta

日本JIS C 0950材質宣言

日本工業規格JIS C 0950により、2006年7月1日以降に販売される特定分野の電気および電子機器について、製造者による含有物質の表示が義務付けられます。

http://www.msi.com/html/popup/csr/cemm_jp.html

http://tw.msi.com/html/popup/csr_tw/cemm_jp.html

India RoHS

This product complies with the "India E-waste (Management and Handling) Rule 2011" and prohibits use of lead, mercury, hexavalent chromium, polybrominated biphenyls or polybrominated diphenyl ethers in concentrations exceeding 0.1 weight % and 0.01 weight % for cadmium, except for the exemptions set in Schedule 2 of the Rule.

Türkiye EEE yönetmeliği

Türkiye Cumhuriyeti: EEE Yönetmeliğine Uygundur

Україна обмеження на наявність небезпечних речовин

Обладнання відповідає вимогам Технічного регламенту щодо обмеження використання деяких небезпечних речовин в електричному та електронному обладнанні, затвердженого постановою Кабінету Міністрів України від 3 грудня 2008 № 1057.

Việt Nam RoHS

Kể từ ngày 01/12/2012, tất cả các sản phẩm do công ty MSI sản xuất tuân thủ Thông tư số 30/2011/TT-BCT quy định tạm thời về giới hạn hàm lượng cho phép của một số hóa chất độc hại có trong các sản phẩm điện, điện tử".

CONTENTS

English	En-1
Motherboard Specifications.....	En-2
Connectors Quick Guide.....	En-5
Back Panel Quick Guide.....	En-7
CPU (Central Processing Unit).....	En-9
Memory.....	En-13
Mounting Screw Holes.....	En-14
Power Supply.....	En-15
Expansion Slots.....	En-16
Video/ Graphics Cards.....	En-17
Internal Connectors.....	En-18
Voltage Checkpoints.....	En-25
Buttons.....	En-26
Jumpers.....	En-28
Switches.....	En-29
LED Status Indicators.....	En-31
Drivers and Utilities.....	En-33
BIOS Setup.....	En-34
Deutsch	De-1
Spezifikationen.....	De-2
Anschlussübersicht.....	De-5
Rücktafel-Übersicht.....	De-7
CPU (Prozessor).....	De-9
Speicher.....	De-13
Schraubenlöcher für die Montage.....	De-14
Stromversorgung.....	De-15
Erweiterungssteckplätze.....	De-16
Video/ Grafikkarten.....	De-17
Interne Anschlüsse.....	De-18
Spannungsmesspunkte.....	De-25
Tasten.....	De-26
Steckbrücke.....	De-28
Schalter.....	De-29
LED Statusanzeige.....	De-31
Treiber und Dienstprogramme.....	De-33
BIOS Setup.....	De-34

Français	Fr-1
Spécifications	Fr-2
Guide Rapide Des Connecteurs	Fr-5
Guide rapide du panneau arrière	Fr-7
Mémoire	Fr-13
Trous Taraudés de Montage.....	Fr-14
Connecteurs d'alimentation.....	Fr-15
Emplacements d'extension	Fr-16
Cartes Vidéo/ Graphics	Fr-17
Connecteurs internes.....	Fr-18
Point de vérification tension	Fr-25
Boutons	Fr-26
Cavaliers	Fr-28
Interrupteur.....	Fr-29
Indicateurs d'état LED.....	Fr-31
Pilotes et Utilitaires.....	Fr-33
Configuration BIOS	Fr-34
Русский	Ru-1
Характеристики материнской платы	Ru-2
Краткое руководство по разъемам	Ru-5
Краткое руководство по работе с задней панелью	Ru-7
ЦП (центральный процессор).....	Ru-9
Память.....	Ru-13
Отверстия под установочные винты.....	Ru-14
Электропитание.....	Ru-15
Слоты расширения.....	Ru-16
Видео/ Установка дискретной видеокарты	Ru-17
Внутренние разъемы	Ru-18
Замер напряжения	Ru-25
Кнопки.....	Ru-26
Джампер.....	Ru-28
Переключатели.....	Ru-29
Световые индикаторы.....	Ru-31
Драйверы и утилиты	Ru-33
Настройка BIOS.....	Ru-34
Installation/ Установка	A-1
CPU.....	A-2
Memory/ Speicher/ Mémoire/ Памяти	A-4

Motherboard/ Carte mère/ Материнские платы	A-5
Power Connector/ ATX-Stromanschluss/ Connecteurs d'alimentation/ Разъема питания.....	A-7
SATA HDD.....	A-9
M.2	A-10
Front Panel Connector/ Frontpanel Anschluss/ Connecteur panneau avant/ Разъемов передней панели	A-11
Peripheral Connector/ Peripheriestecker/ Connecteur périphérique/ Периферийных разъемов.....	A-12
Graphics Card/ Grafikkarte/ Carte graphique/ Видеокарты	A-13

English

Thank you for choosing the Z97A GAMING 9 ACK Series (MS-7926 v1.X) ATX motherboard. The Z97A GAMING 9 ACK Series motherboards are based on Intel® Z97 chipset for optimal system efficiency. Designed to fit the advanced Intel® LGA1150 processor, the Z97A GAMING 9 ACK Series motherboards deliver a high performance and professional desktop platform solution.

Motherboard Specifications

CPU Support	<ul style="list-style-type: none"> ■ Supports 4th and 5th Generation Intel® Core™ Processors, and Intel® Pentium® and Celeron® Processors for Socket LGA1150
Chipset	<ul style="list-style-type: none"> ■ Intel® Z97 Express Chipset
Memory Support	<ul style="list-style-type: none"> ■ 4x DDR3 memory slots supporting up to 32GB ■ Supports DDR3 3200(OC)/ 3100(OC)/ 3000(OC)/ 2800(OC)/ 2666(OC)/ 2600(OC)/ 2400(OC)/ 2200(OC)/ 2133(OC)/ 2000(OC)/ 1866(OC)/ 1600/ 1333/ 1066 MHz ■ Dual channel memory architecture ■ Supports non-ECC, un-buffered memory ■ Supports Intel® Extreme Memory Profile (XMP)
Expansion Slots	<ul style="list-style-type: none"> ■ 3x PCIe 3.0 x16 slots (support x16, x8/x8, x8/x4/x4 modes) ■ 3x PCIe 2.0 x1 slots
Onboard Graphics	<ul style="list-style-type: none"> ■ 1x HDMI port, supporting a maximum resolution of 4096x2160@24 Hz/ 2560x1600@60 Hz ■ 1x DisplayPort, supporting a maximum resolution of 4096x2304@24Hz/ 2560x1600@60Hz/ 3840x2160@60Hz/1920x1200@60Hz
Multi-GPU Support	<ul style="list-style-type: none"> ■ Supports 3-Way AMD® CrossFire™ Technology* ■ Supports 2-Way NVIDIA® SLI™ Technology <p>* Supports Windows 7 and Windows 8/ 8.1.</p>
Storage	<ul style="list-style-type: none"> ■ Intel® Z97 Express Chipset <ul style="list-style-type: none"> - 6x SATA 6Gb/s ports (SATA1~6) - 1x M.2 port* - M.2 port supports M.2 SATA 6Gb/s module - M.2 port supports M.2 PCIe module up to 10Gb/s speed** - M.2 port supports 4.2cm/ 6cm/ 8cm length module - Supports RAID 0, RAID1, RAID 5 and RAID 10*** - Supports Intel® Smart Response Technology, Intel® Rapid Start Technology and Intel® Smart Connect Technology**** ■ ASMedia ASM1061 Chipset <ul style="list-style-type: none"> - 2x SATA 6Gb/s ports (SATA7~8) <p>* The SATA5 and SATA6 ports will be unavailable when installing a module in the M.2 port. ** Intel RST does not support PCIe M.2 SSD with Legacy ROM. *** M.2 PCIe interface does not support RAID 0, RAID1, RAID 5 and RAID 10. **** Supports Intel Core processors on Windows 7 and Windows 8/ 8.1</p>
USB	<ul style="list-style-type: none"> ■ Intel® Z97 Express Chipset <ul style="list-style-type: none"> - 4x USB 3.0 ports available through the internal USB connectors - 6x USB 2.0 ports (2 ports on the back panel, 4 ports available through the internal USB connectors*) ■ ASMedia ASM1074 Chipset <ul style="list-style-type: none"> - 6x USB 3.0 ports on the back panel ■ ASMedia ASM1142 Chipset <ul style="list-style-type: none"> - 2x USB 3.1 ports on the back panel <p>* Internal JUSB1 connector supports MSI Super Charger.</p>
Audio	<ul style="list-style-type: none"> ■ Realtek® ALC1150 Codec <ul style="list-style-type: none"> - 7.1-Channel High Definition Audio - Supports S/PDIF output ■ CMedia CM6631A (for JAUD1) <ul style="list-style-type: none"> - Supports USB 2.0 High speed audio

LAN	<ul style="list-style-type: none"> ■ 1x Killer E2205 Gigabit LAN controller* * The Killer Network Manager is only available for Windows 7 and Windows 8/ 8.1 currently. The supported drivers for other operating systems would be available on the website if provided by vendor.
Wireless LAN	<ul style="list-style-type: none"> ■ Killer Wireless 1525 module. <ul style="list-style-type: none"> - Supports 2x2 802.11a/b/g/n/ac with advanced features - Supports 20/ 40MHz at 2.4GHz and 20/ 40/ 80MHz at 5GHz
Bluetooth	<ul style="list-style-type: none"> ■ Killer Wireless 1525 module. <ul style="list-style-type: none"> - Supports Bluetooth v4.1
Back Panel Connectors	<ul style="list-style-type: none"> ■ 1x PS/2 keyboard/ mouse combo port ■ 2x USB 2.0 ports ■ 1x Clear CMOS button ■ 6x USB 3.0 ports ■ 2x USB 3.1 ports ■ 1x LAN (RJ45) port ■ 1x Optical S/PDIF-Out connector ■ 1x HDMI port ■ 1x DisplayPort ■ 6x OFC audio jacks
Internal Connectors	<ul style="list-style-type: none"> ■ 1x 24-pin ATX main power connector ■ 1x 8-pin ATX 12V power connector ■ 8x SATA 6Gb/s connectors ■ 1x M.2 port ■ 2x USB 2.0 connectors (supports additional 4 USB 2.0 ports) ■ 2x USB 3.0 connectors (supports additional 4 USB 3.0 ports) ■ 2x 4-pin CPU fan connectors ■ 3x 4-pin system fan connectors ■ 1x TPM module connector ■ 1x Front panel audio connector ■ 1x Direct audio power connector ■ 2x System panel connectors ■ 1x Chassis Intrusion connector ■ 1x Clear CMOS jumper ■ 9x V-Check connectors ■ 1x Power button ■ 1x Reset button ■ 1x OC Genie button ■ 1x Multi-BIOS switch ■ 1x Slow mode booting jumper ■ 1x Audio power switch ■ 1x Wi-Fi/Bluetooth module connector ■ 1x 2-Digit Debug Code LED
I/O Controller	<ul style="list-style-type: none"> ■ NUVOTON NCT6792 Controller Chip
Hardware Monitor	<ul style="list-style-type: none"> ■ CPU/System temperature detection ■ CPU/System fan speed detection ■ CPU/System fan speed control
BIOS Features	<ul style="list-style-type: none"> ■ 2x 64 Mb flash ■ UEFI AMI BIOS ■ ACPI 5.0, PnP 1.0a, SM BIOS 2.7, DMI 2.0 ■ Multi-language

Special Features	<ul style="list-style-type: none"> ■ Audio Boost 2 ■ Military Class 4 ■ OC Genie 4 ■ CLICK BIOS 4 ■ NVIDIA SLI ■ AMD CrossFire ■ Sound Blaster Cinema 2 ■ Easy Button ■ V-Check Points ■ Clear CMOS Button ■ Total Fan Control ■ Gaming Device Port ■ Super Charger ■ Smart Utilities ■ Wi-Fi ■ Bluetooth ■ Command Center ■ ECO Center
Software	<ul style="list-style-type: none"> ■ Drivers ■ MSI <ul style="list-style-type: none"> - Command Center - Live Update 6 - Smart Utilities - Super Charger - Fast Boot - ECO Center - MSI Gaming APP ■ 7-ZIP ■ Intel Extreme Tuning Utility ■ Norton Internet Security Solution ■ Sound Blaster Cinema 2 ■ XSplit Gamecaster ■ Killer Network Manager
Form Factor	<ul style="list-style-type: none"> ■ ATX Form Factor ■ 12 in. x 9.6 in. (30.5 cm x 24.4 cm)

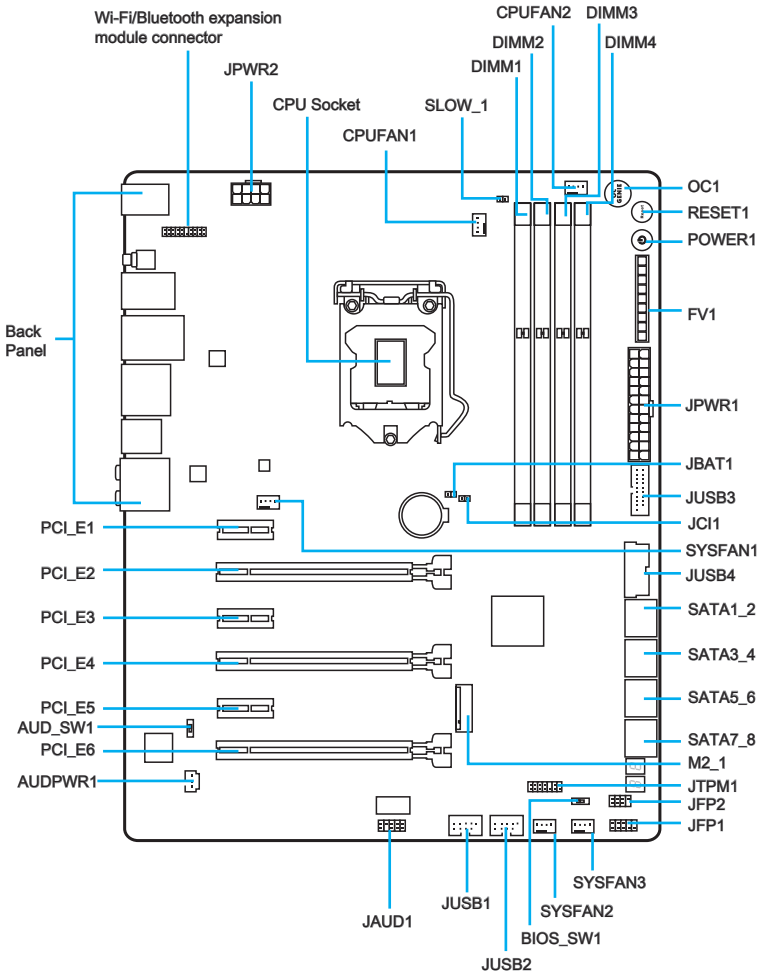


For the latest information about CPU, please visit
<http://www.msi.com/cpu-support/>



For more information on compatible components, please visit
<http://www.msi.com/test-report/>

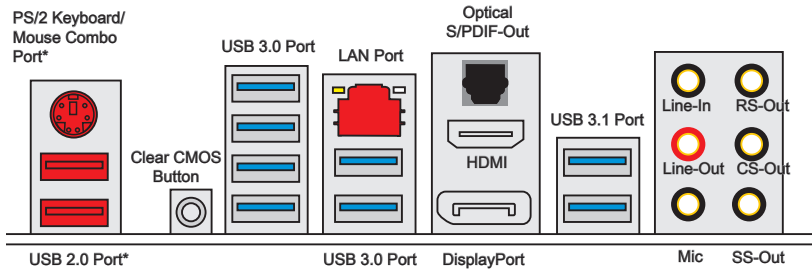
Connectors Quick Guide



Connectors Reference Guide

Port Name	Port Type	Page
AUDPWR1	Direct Audio Power Connector	En-23
AUD_SW1	Audio Power Switch	En-30
Back Panel	I/O ports	En-7
BIOS_SW1	Multi-BIOS Switch	En-29
CPU	LGA1150 CPU Socket	En-9
CPUFAN1~2,SYSFAN1~3	Fan Power Connectors	En-19
DIMM1~4	DDR3 Memory Slots	En-13
FV1	V-Check Connectors	En-25
JAUD1	Front Panel Audio Connector	En-23
JBAT1	Clear CMOS Jumper	En-28
JCI1	Chassis Intrusion Connector	En-22
JFP1, JFP2	System Panel Connectors	En-20
JPWR1~2	ATX Power Connectors	En-15
JTPM1	TPM Module Connector	En-24
JUSB1~2	USB 2.0 Expansion Connectors	En-21
JUSB3~4	USB 3.0 Expansion Connectors	En-22
M2_1	M.2 Port	En-24
OC1	OC Genie Button	En-26
PCI_E1~6	PCIe Expansion Slots	En-16
POWER1	Power Button	En-27
RESET1	Reset Button	En-27
SATA1~8	SATA Connectors	En-18
SLOW_1	Slow Mode Booting Jumper	En-28

Back Panel Quick Guide



* Gaming Device Port.

► PS/2 Keyboard/Mouse Combo Port

A combination of PS/2® mouse/keyboard DIN connector for a PS/2® mouse/keyboard.

► Clear CMOS Button

There is CMOS RAM present on board that is powered by an external battery to store system configuration data. Using CMOS RAM, the system can automatically boot into the operating system (OS) every time it is turned on. If you wish to clear the system configuration, press the button to clear the data.

► USB 2.0 Port

The USB 2.0 port is for attaching USB 2.0 devices such as keyboard, mouse, or other USB 2.0-compatible devices.

► USB 3.0 Port

USB 3.0 port is backward-compatible with USB 2.0 devices. It supports data transfer rate up to 5 Gbit/s (SuperSpeed).

► USB 3.1 Port

USB 3.1 port is backward-compatible with USB 3.0/ 2.0 devices. It supports data transfer rate up to 10 Gb/s (SuperSpeed USB 10 Gbps).

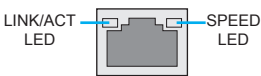


Important

In order to use USB 3.0/ 3.1 devices, you must connect to a USB 3.0/ 3.1 port. If a USB cable is used, it must be USB 3.0/ 3.1 compliant.

► LAN Port

The standard RJ-45 LAN jack is for connecting to a Local Area Network (LAN).

	LED	LED Status	Description
	Link/ Activity LED	Off	No link
		Yellow	Linked
		Blinking	Data activity
	Speed LED	Off	10 Mbps connection
		Green	100 Mbps connection
Orange		1 Gbps connection	

► Optical S/PDIF-Out

This S/PDIF (Sony & Philips Digital Interconnect Format) connector is provided for digital audio transmission to external speakers through an optical fiber cable.



► HDMI Port

The High-Definition Multimedia Interface (HDMI) is an all-digital audio-video interface that is capable of transmitting uncompressed streams. HDMI supports all types of TV formats, including standard, enhanced, or high-definition video, plus multi-channel digital audio on a single cable.

► DisplayPort

DisplayPort is a digital display interface standard. This connector is used to connect a monitor with DisplayPort inputs.



Important

This platform supports dual-display function.

	HDMI+DisplayPort
Extend mode (Extend the desktop to the second monitor)	○
Clone mode (Monitors have the same screen)	○

► Audio Ports

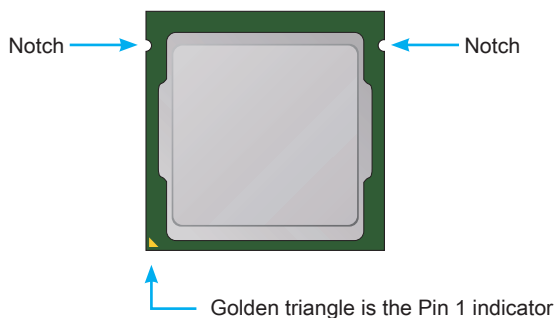
These connectors are used for audio devices. The color of the jack refers to the function of the connector.

- Line in: Used for connecting external audio outputting devices.
- Line out: Used as a connector for speakers or headphone.
- Mic: Used as a connector for a microphone.
- RS-Out: Rear surround sound line out in 4/ 5.1/ 7.1 channel mode.
- CS-Out: Center/ subwoofer line out in 5.1/ 7.1 channel mode.
- SS-Out: Side surround sound line out in 7.1 channel mode.

CPU (Central Processing Unit)

Introduction to the LGA 1150 CPU

The surface of the LGA 1150 CPU has two notches and a golden triangle to assist in correctly lining up the CPU for motherboard placement. The golden triangle is the Pin 1 indicator.



Important

Overheating

Overheating can seriously damage the CPU and motherboard. Always make sure the cooling fans work properly to protect the CPU from overheating. Be sure to apply an even layer of thermal paste (or thermal tape) between the CPU and the heatsink to enhance heat dissipation.

Replacing the CPU

When replacing the CPU, always turn off the system's power supply and unplug the power supply's power cord to ensure the safety of the CPU.

Overclocking

This motherboard is designed to support overclocking. Before attempting to overclock, please make sure that all other system components can tolerate overclocking. Any attempt to operate beyond product specifications is not recommend. MSI does not guarantee the damages or risks caused by inadequate operation beyond product specifications.

CPU & Heatsink Installation

When installing a CPU, always remember to install a CPU heatsink. A CPU heatsink is necessary to prevent overheating and maintain system stability. Follow the steps below to ensure correct CPU and heatsink installation. Wrong installation can damage both the CPU and the motherboard.



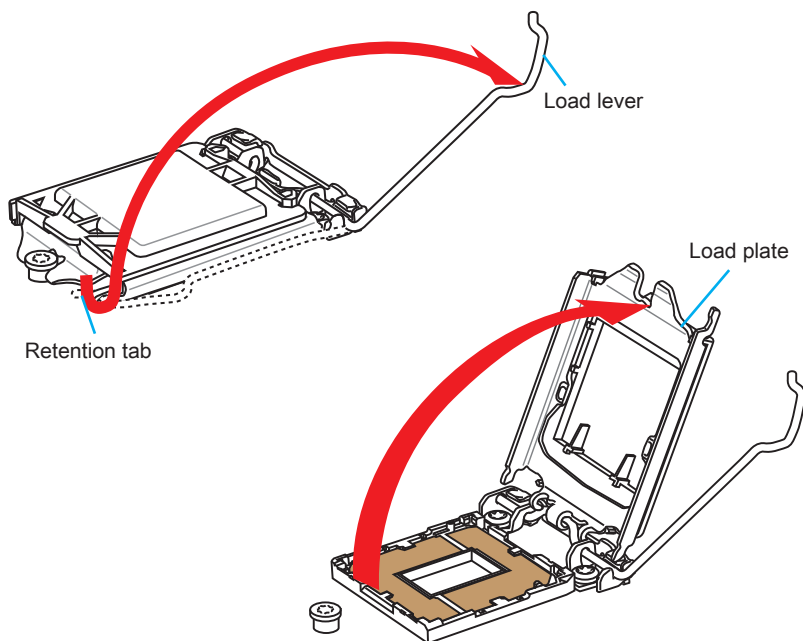
Video Demonstration

Watch the video to learn how to install CPU & heatsink.

<http://youtu.be/bf5La099url>



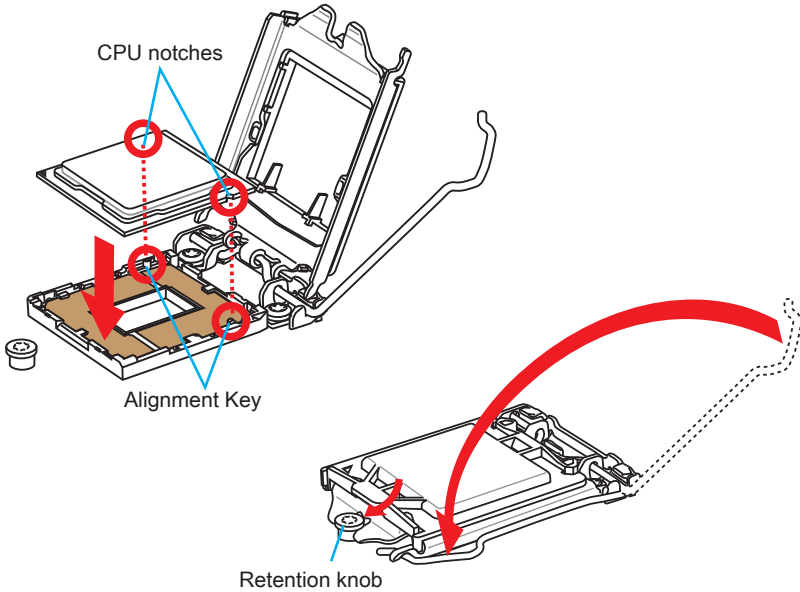
1. Push the load lever down to unclip it and lift to the fully open position.
2. The load plate will automatically lift up as the load lever is pushed to the fully open position.



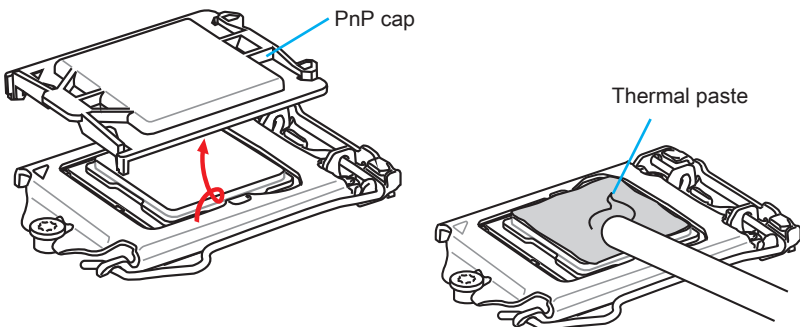
Important

Do not touch the socket contacts or the bottom of the CPU.

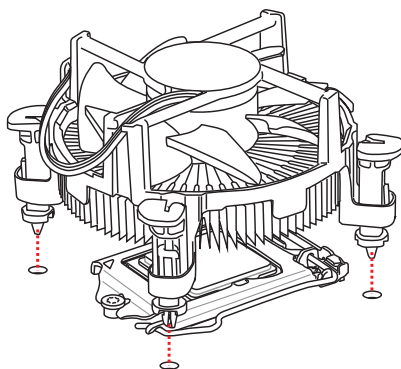
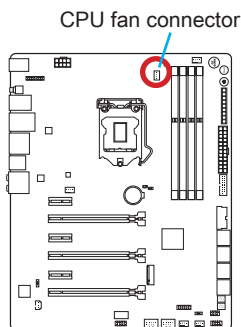
- Align the notches with the socket alignment keys. Lower the CPU straight down, without tilting or sliding the CPU in the socket. Inspect the CPU to check if it is properly seated in the socket.
- Close and slide the load plate under the retention knob. Close and engage the load lever.



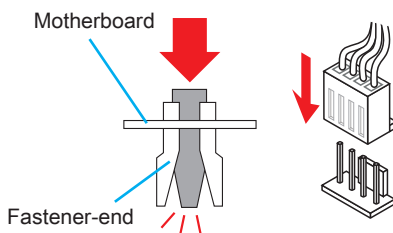
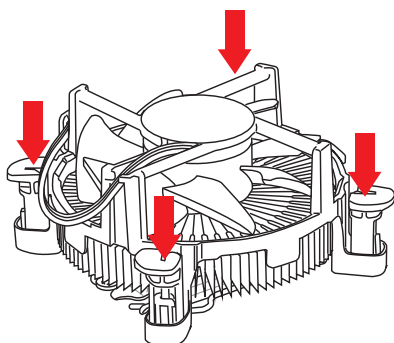
- When you press down the load lever the PnP cap will automatically pop up from the CPU socket. Do not discard the PnP cap. Always replace the PnP cap if the CPU is removed from the socket.
- Evenly spread a thin layer of thermal paste (or thermal tape) on the top of the CPU. This will help in heat dissipation and prevent CPU overheating.



7. Locate the CPU fan connector on the motherboard.
8. Place the heatsink on the motherboard with the fan's cable facing towards the fan connector and the fasteners matching the holes on the motherboard.



9. Push down the heatsink until the four fasteners get wedged into the holes on the motherboard. Press the four fasteners down to fasten the heatsink. As each fastener locks into position a click should be heard.
10. Inspect the motherboard to ensure that the fastener-ends have been properly locked in place.
11. Finally, attach the CPU fan cable to the CPU fan connector on the motherboard.

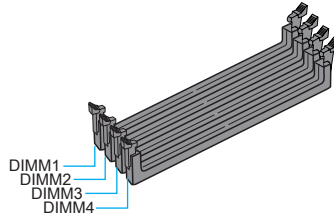
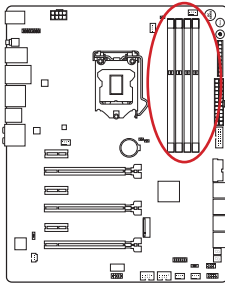


! Important

- Confirm that the CPU heatsink has formed a tight seal with the CPU before booting your system.
- Whenever the CPU is not installed, always protect the CPU socket pins by covering the socket with the plastic cap.
- If you purchased a separate CPU and heatsink/ cooler, Please refer to the documentation in the heatsink/ cooler package for more details about installation.

Memory

These DIMM slots are used for installing memory modules.



Video Demonstration

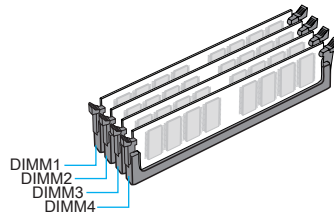
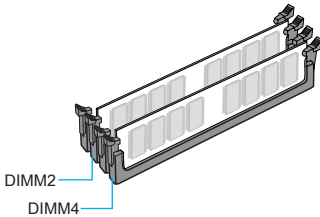
Watch the video to learn how to install memories.

<http://youtu.be/76yLtJaKICQ>



Dual-Channel mode Population Rule

In Dual-Channel mode, the memory modules can transmit and receive data with two data bus channels simultaneously. Enabling Dual-Channel mode can enhance system performance. The following illustrations explain the population rules for Dual-Channel mode.

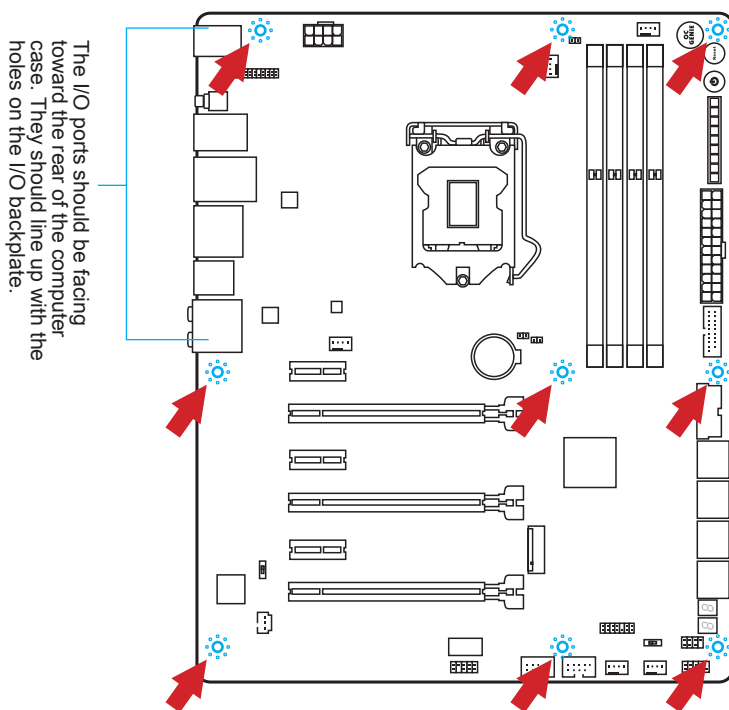


Important

- *DDR3 memory modules are not interchangeable with DDR2, and the DDR3 standard is not backward compatible. Always install DDR3 memory modules in DDR3 DIMM slots.*
- *To ensure system stability, memory modules must be of the same type and density in Dual-Channel mode.*
- *Due to chipset resource usage, the system will only detect up to 31+ GB of memory (not full 32 GB) when all DIMM slots have 8GB memory modules installed.*

Mounting Screw Holes

When installing the motherboard, first install the necessary mounting stands required for an motherboard on the mounting plate in your computer case. If there is an I/O back plate that came with the computer case, please replace it with the I/O backplate that came with the motherboard package. The I/O backplate should snap easily into the computer case without the need for any screws. Align the mounting plate's mounting stands with the screw holes on the motherboard and secure the motherboard with the screws provided with your computer case. The locations of the screw holes on the motherboard are shown below. For more information, please refer to the manual that came with the computer case.



Important

- Please note that, before installing the motherboard into the case, you have to remove the I/O cover nuts on back of the motherboard.
- Install the motherboard on a flat surface free from unnecessary debris.
- To prevent damage to the motherboard, any contact between the motherboard circuitry and the computer case, except for the mounting stands, is prohibited.
- Please make sure there are no loose metal components on the motherboard or within the computer case that may cause a short circuit of the motherboard.

Power Supply



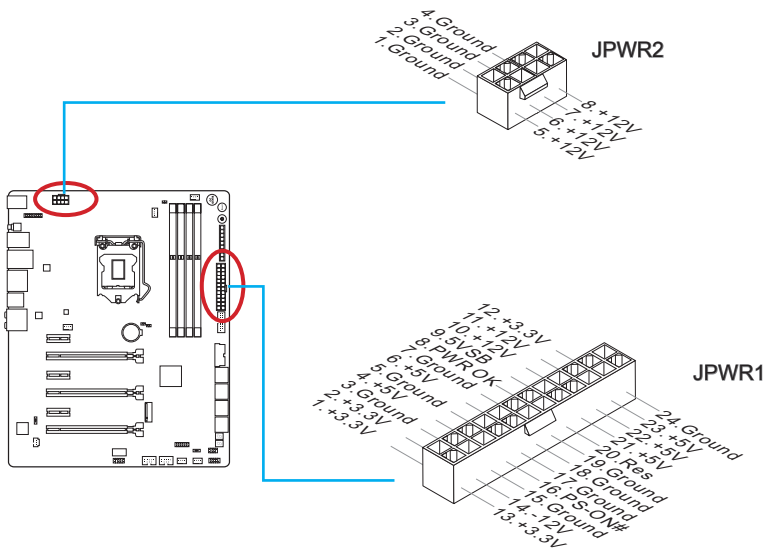
Video Demonstration

Watch the video to learn how to install power supply connectors.
http://youtu.be/gkDYyR_8314



JPWR1~2: ATX Power Connectors

These connectors allow you to connect an ATX power supply. To connect the ATX power supply, align the power supply cable with the connector and firmly press the cable into the connector. If done correctly, the clip on the power cable should be hooked on the motherboard's power connector.



Important

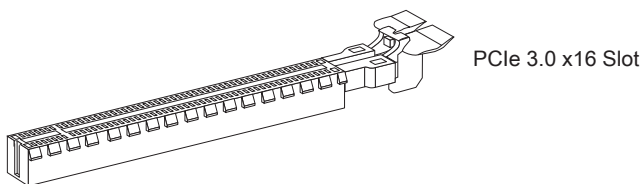
Make sure that all the power cables are securely connected to a proper ATX power supply to ensure stable operation of the motherboard.

Expansion Slots

This motherboard contains numerous slots for expansion cards, such as discrete graphics or audio cards.

PCI_E1~6: PCIe Expansion Slots

The PCIe slot supports the PCIe interface expansion card.



Important

When adding or removing expansion cards, always turn off the power supply and unplug the power supply power cable from the power outlet. Read the expansion card's documentation to check for any necessary additional hardware or software changes.

Video/ Graphics Cards

If available, this motherboard takes advantage of the CPU's integrate graphics processor, but discrete video cards can be installed by way of the motherboard's expansion slots. Adding on one or more discrete video cards will significantly boost the system's graphics performance. For best compatibility, MSI graphics cards are recommended.



Video Demonstration

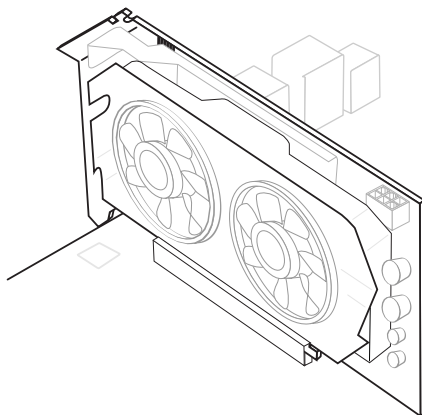
Watch the video to learn how to install a graphics card on PCIe x16 slot with butterfly lock.

http://youtu.be/mG0GZpr9w_A



Single Video Card Installation

1. Determine what type of expansion slot(s) the video card will use. Locate the expansion slot(s) on the motherboard. Remove any protective expansion slot covers from the computer case.
2. Line up the video card on top of the expansion slot(s) with the display ports facing out of the computer case. For a single video card installation, using the PCI_E2 slot is recommended.
3. Push the video card into its expansion slot(s). Depending on the expansion slot(s) used, there should be clip(s) on the expansion slot(s) that will lock in place.
4. If needed, screw the edge of the graphics card to the computer case. Some video cards might require a power cable directly from the power supply.
5. Please consult your video card's manual for further instructions regarding driver installation or other special settings.



Internal Connectors

SATA1~8: SATA Connectors

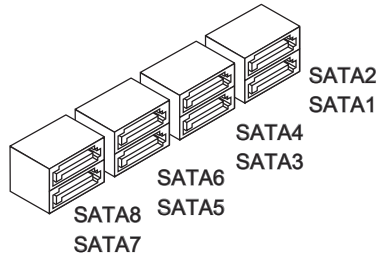
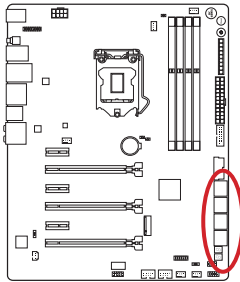
This connector is a high-speed SATA interface port. Each connector can connect to one SATA device. SATA devices include disk drives (HDD), solid state drives (SSD), and optical drives (CD/ DVD/ Blu-Ray).



Video Demonstration

Watch the video to learn how to Install SATA HDD.

<http://youtu.be/RZsMpqxthc>



SATA1~6 (6Gb/s, by Intel® Z97)

SATA7~8 (6Gb/s, by ASMedia® ASM1061)

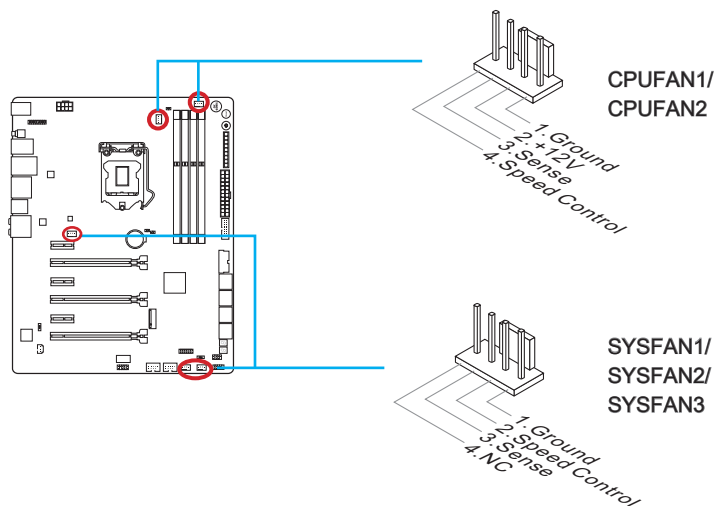


Important

- The SATA5 and SATA6 ports will be unavailable when installing a module in the M.2 port.
- Many SATA devices also need a power cable from the power supply. Such devices include disk drives (HDD), solid state drives (SSD), and optical drives (CD / DVD / Blu-Ray). Please refer to the device's manual for further information.
- Many computer cases also require that large SATA devices, such as HDDs, SSDs, and optical drives, be screwed down into the case. Refer to the manual that came with your computer case or your SATA device for further installation instructions.
- Please do not fold the SATA cable at a 90-degree angle. Data loss may result during transmission otherwise.
- SATA cables have identical plugs on either sides of the cable. However, it is recommended that the flat connector be connected to the motherboard for space saving purposes.

CPUFAN1~2,SYSFAN1~3: Fan Power Connectors

The fan power connectors support system cooling fans with +12V. If the motherboard has a System Hardware Monitor chipset on-board, you must use a specially designed fan with a speed sensor to take advantage of the CPU fan control. Remember to connect all system fans. Some system fans may not connect to the motherboard and will instead connect to the power supply directly. A system fan can be plugged into any available system fan connector.



Important

- Please refer to your processor's official website or consult your vendor to find recommended CPU heatsink.
- These connectors support Smart Fan Control with liner mode. The Command Center utility can be installed to automatically control the fan speeds according to the CPU's and system's temperature.
- If there are not enough ports on the motherboard to connect all system fans, adapters are available to connect a fan directly to a power supply.
- Before first boot up, ensure that there are no cables impeding any fan blades.

JFP1, JFP2: System Panel Connectors

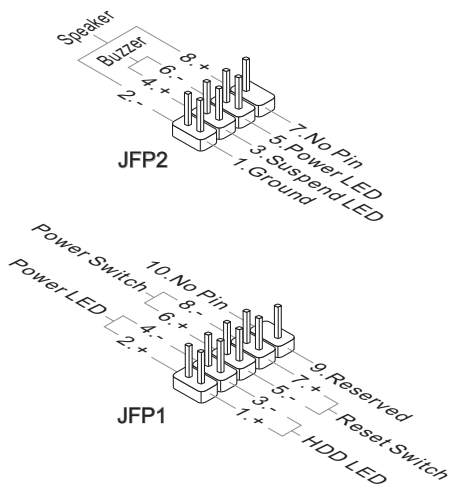
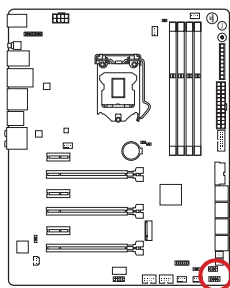
These connectors connect to the front panel switches and LEDs. The JFP1 connector is compliant with the Intel® Front Panel I/O Connectivity Design Guide. When installing the front panel connectors, please use the optional M-Connector to simplify installation. Plug all the wires from the computer case into the M-Connector and then plug the M-Connector into the motherboard.



Video Demonstration

Watch the video to learn how to install front panel connectors.

<http://youtu.be/DPELIdVNZUI>

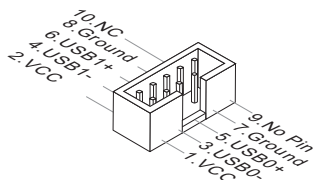
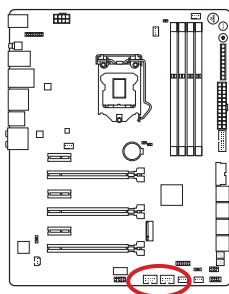


Important

- On the connectors coming from the case, pins marked by small triangles are positive wires. Please use the diagrams above and the writing on the optional M-Connectors to determine correct connector orientation and placement.
- The majority of the computer case's front panel connectors will primarily be plugged into JFP1.

JUSB1~2: USB 2.0 Expansion Connectors

This connector is designed for connecting high-speed USB peripherals such as USB HDDs, digital cameras, MP3 players, printers, modems, and many others.



The JUSB1 (red mark) connector supports MSI's new Super-Charger technology which provides quicker USB charging of your smartphone or other USB-powered devices. To enable this feature, please install the MSI Super-Charger application on your computer. When the Super-Charger application is turned on, the JUSB1 connector will convert data channels to extra power channels to quickly charge your connected device. Please note that when the Super-Charger application is turned on, data transmission and synchronization over the JUSB1 connector will not function. To enable the JUSB1 connector to function as a normal USB 2.0 connector, please turn off the Super-Charger application. When the computer is in stand-by or hibernation mode (S3/ S4/ S5) Super-Charger mode will automatically be enabled.



Video Demonstration

Watch the video to learn how to charge the smartphone with Super-Charger.

<http://youtu.be/FCyvr5NbOw>

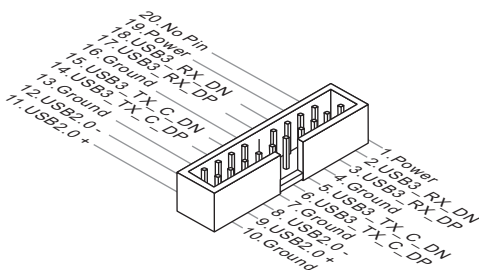
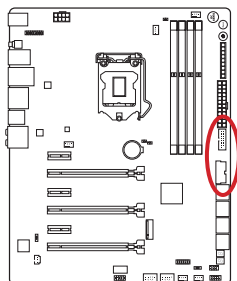


Important

- Note that the VCC and GND pins must be connected correctly to avoid possible damage.
- Please only connect one device per USB port to ensure stable charging.
- Super-Charger Technology is only available on select MSI motherboard models. Please refer to the MSI website to check if your motherboard has Super-Charger technology.
- For iPad, JUSB1 (red mark) can still charge iPad in S3, S4, S5 state.
- We recommend that don't disconnect the device when you charge it in S1 state.

JUSB3~4: USB 3.0 Expansion Connectors

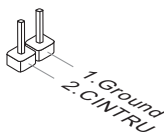
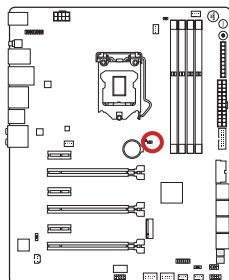
The USB 3.0 port is backwards compatible with USB 2.0 devices. It supports data transfer rates up to 5Gbits/s (SuperSpeed).



- Note that the VCC and GND pins must be connected correctly to avoid possible damage.
- To use a USB 3.0 device, you must connect the device to a USB 3.0 port through an optional USB 3.0 compliant cable.

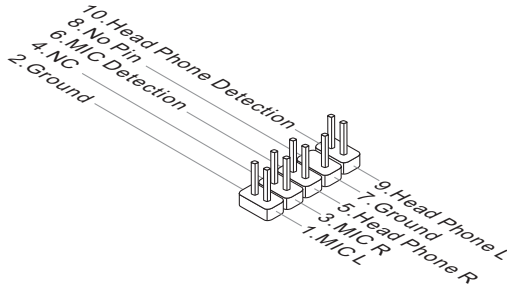
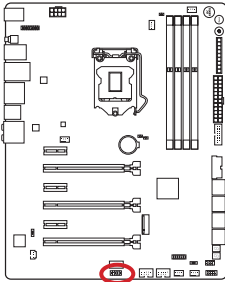
JCI1: Chassis Intrusion Connector

This connector connects to the chassis intrusion switch cable. If the computer case is opened, the chassis intrusion mechanism will be activated. The system will record this intrusion and a warning message will flash on screen. To clear the warning, you must enter the BIOS utility and clear the record.



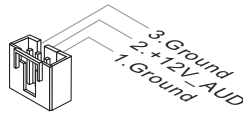
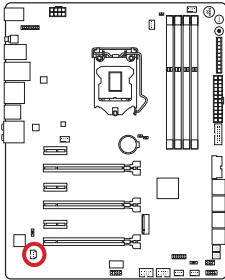
JAUD1: Front Panel Audio Connector

This connector allows you to connect the front audio panel located on your computer case.



AUDPWR1: Direct Audio Power Connector

This connector is used to provide direct power to back panel audio ports. The direct audio power can provide the better audio quality. Please connect this connector with a power supply by an audio power adapter.

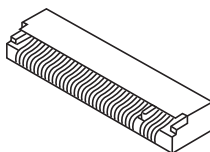
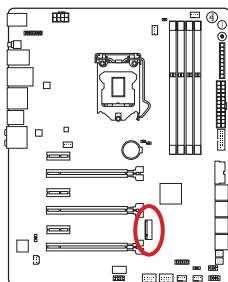


Important

After connecting the direct power to this connector, please note that you have to enable the "Direct Audio Power" by adjusting the audio power switch (AUD_SW1).

M2_1: M.2 Port

The M.2 port supports either M.2 SATA module or M.2 PCIe module.

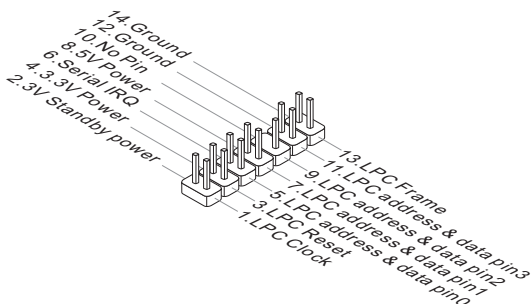
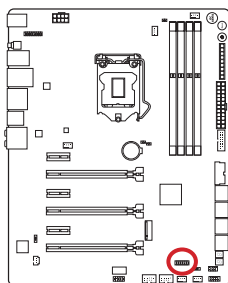


Important

- The SATA5 and SATA6 ports will be unavailable when installing a module in the M.2 port.
- Intel RST does not support PCIe M.2 SSD with Legacy ROM.
- M.2 PCIe interface does not support RAID 0, RAID1, RAID 5 and RAID 10.

JTPM1: TPM Module Connector

This connector connects to a TPM (Trusted Platform Module). Please refer to the TPM security platform manual for more details and usages.

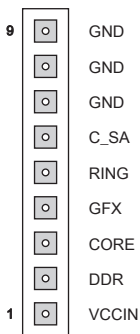
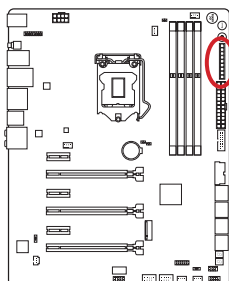


Voltage Checkpoints

These voltage checkpoints are used to measure the current system voltages. A multimeter (not included) will be required to check voltages.

FV1: V-Check Connectors

To check the voltage, please use the optional voltage checkpoint cables included in the motherboard package. Attach the positive lead of the multimeter to the voltage checkpoint cable and the negative lead to the ground connector.



Connector	Description
GND (pin 7~9)	Ground
C_SA (pin 6)	The CPU_SA (CPU System Agent) voltage is the voltage supplied to the integrated memory controller inside the CPU.
RING (pin 5)	The CPU Ring is an interface for integrated controllers inside the CPU. The CPU Ring voltage can affect the CPU overclocking performance.
GFX (pin 4)	The CPU_GFX voltage is the voltage supplied to the integrated graphics processor located on the CPU.
CORE (pin 3)	CPU core0 voltage. The CPU voltage is the voltage supplied to the CPU core. Higher overlocks may require higher CPU core voltages to maintain stability.
DDR (pin 2)	Memory voltage. The DDR memory voltage is the voltage supplied to the DDR memory modules on the motherboard. Lower memory timings may require higher voltages to maintain system stability.
VCCIN (pin1)	The CPU VCCIN voltage is the CPU power source that is shared with components of the CPU.

Buttons

The motherboard has numerous on-board buttons to control various functions. This section will explain how to change your motherboard's functions through the use of these on-board buttons.

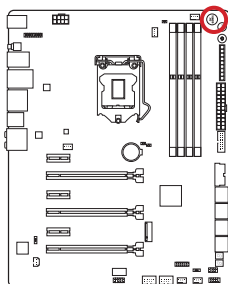
OC1: OC Genie Button

This button is used to automatically overclock the system. To enable OC Genie, Set this button to ON while the system is in power off mode. On the next boot, the processor will be automatically overclock for optimal performance. To disable OC Genie, Set this button to OFF while the system is in power off mode and the configuration parameters will return to its normal values.



Video Demonstration

Watch the video to learn how to use the OC Genie button.
<http://youtu.be/nlpRvWkUazg>



On



Off

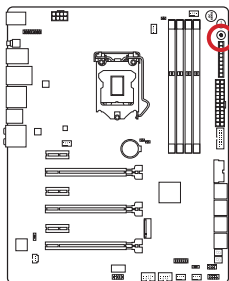


Important

- This motherboard provides two ways to enable OC Genie: press the physical OC Genie button on the motherboard, or click the virtual OC Genie button in BIOS. You can specify how OC Genie to be enabled by using the "OC Genie Function Control" item in BIOS.
- Please install DDR3 1333 or faster memory and equip a better heatsink/cooler to use the OC Genie function.
- We do not guarantee the OC Genie overclocking range or the damages/risks caused by overclocking behavior.
- It is possible to disable the OC Genie function in the BIOS setup. Please refer to the BIOS section of the manual for instructions on how to turn off OC Genie from the BIOS.
- The usage of OC Genie is at the user's own risk. Overclocking is never guaranteed by MSI.
- To ensure successfully OC Genie usage, MSI components are recommended.

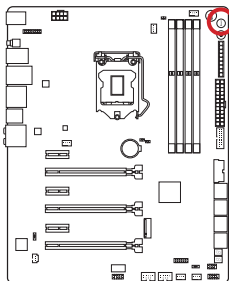
POWER1: Power Button

This button is used to turn-on and turn-off the system. Press the button once to turn-on or turn-off the system.



RESET1: Reset Button

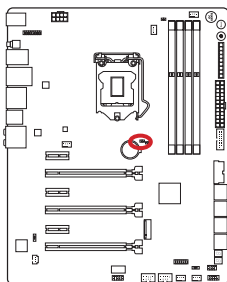
This reset button is used to reset the system. Press the button to reset the system.



Jumpers

JBAT1: Clear CMOS Jumper

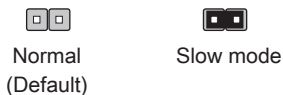
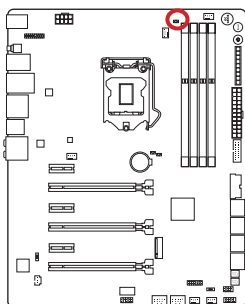
There is CMOS RAM onboard that is external powered from a battery located on the motherboard to save system configuration data. With the CMOS RAM, the system can automatically boot into the operating system (OS) every time it is turned on. If you want to clear the system configuration, set the jumpers to clear the CMOS RAM.



Important
You can clear the CMOS RAM by shorting this jumper while the system is off. Afterwards, open the jumper. Do not clear the CMOS RAM while the system is on because it may damage the motherboard.

SLOW_1: Slow Mode Booting Jumper

This jumper is used for LN2 cooling solution, that provides the extreme overclocking conditions, to boot at a stable processor frequency and to prevent the system from crashing.

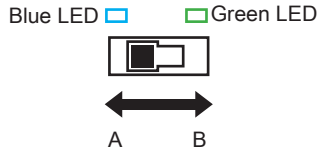
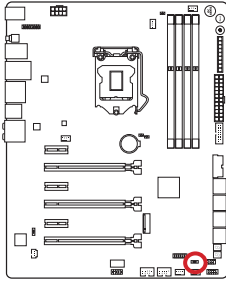


Important
Users will try extreme low temperature overclocking at their own risks. The overclocking results will vary according to the CPU version.

Switches

BIOS_SW1: Multi-BIOS Switch

This motherboard has two built-in BIOS ROMs (Labeled A and B, default BIOS ROM is A). If one is crashed, you can shift to the other for booting by sliding the switch. In addition, these two BIOS ROMs do not have the Auto Recovery feature, you need to maintain or update the BIOS version by yourself.



BIOS recovery with AFUDOS command

When BIOS updating fails or causes the computer non-bootable, you can recover the failed BIOS by the steps below.

Preparation:

1. Prepare a bootable USB flash drive.
2. Download the latest BIOS file from the MSI official website at www.msi.com, and then decompress the file.
3. Copy the AFUDE238.exe and the BIOS file to the bootable USB flash drive

BIOS recovery steps:

1. Power off the computer.
2. Set the Multi-BIOS switch to the functional BIOS ROM.
3. Insert the bootable USB flash drive you have made to the USB port.
4. Boot the computer into the bootable USB flash drive.
5. Set the Multi-BIOS switch to the failed BIOS ROM.
6. Execute the below command to flash the BIOS:
For example: AFUDE238 EXXXIM.S.XXX
7. Restart the computer after the BIOS flashing is complete.

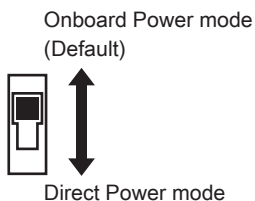
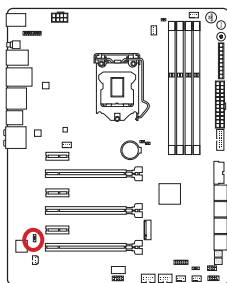


Important

Do not use the Multi-BIOS switch when system is booting up.

AUD_SW1: Audio Power Switch

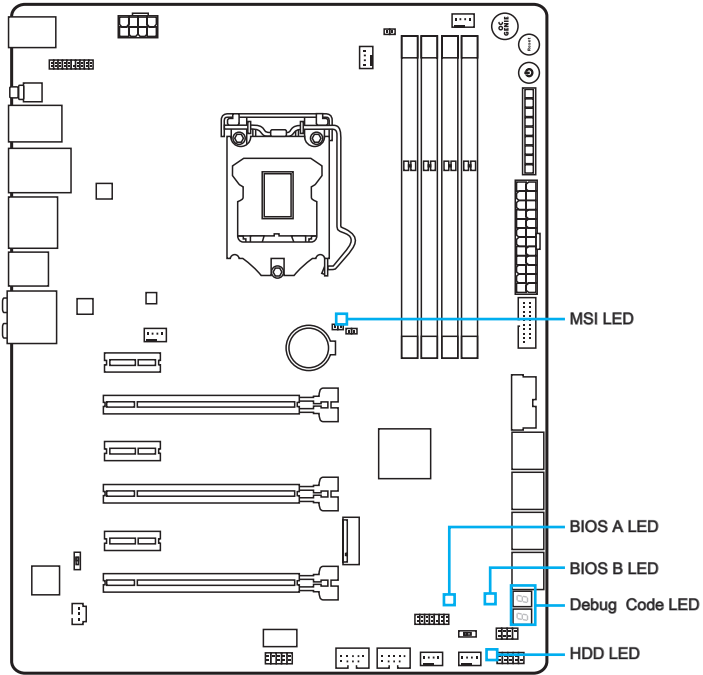
This switch specifies the power mode for back panel audio ports.



Important

- Before switching to "Direct Power mode", please make sure the "Direct Audio Power Connector" (AUDPWR1) has been connected to the power supply.
- Do not use the audio power switch while the system is on because it may damage the motherboard.

LED Status Indicators



LED Status Table

The following table describes the status of LED indicators.

LED	LED Status	Description
MSI LED	On	Debug
HDD LED	Blinking	HDD activity
BIOS A LED	Blue	BIOS A in operation
BIOS B LED	Green	BIOS B in operation

Debug Code LED Table

Please refer to the table below to get more information about the Debug Code LED message.

Post	Status
02,07	Power on CPU Initialization
03,08	Power on North Bridge Initialization
04,09	Power on South Bridge Initialization
0B	Power on Cache Initialization
11~14,32~36,56~5A	Early CPU Initialization
15~18,37~3A	Early North Bridge Initialization
19~1C,3B~3E	Early South Bridge Initialization
1D~2F,31,3F~4E,50~55	Early Memory Initialization
63~67,D0	Late CPU Initialization
69~6F,D1	Late North Bridge Initialization
70~77,D2	Late South Bridge Initialization
92~96,B5,D4	PCI bus Initialization
97,98,99,B2,D5~D7	Console Output/Input devices/Console initialization and Load Option ROM (VGA, RAID, parallel ports, serial ports.....)
9A~A7,B4	Onboard devices Initialize and Detect (USB/ SATA/ SCSI.....)
A8,A9,AB	Start of Setup. BIOS setup if needed/ requested.
AD/AE	Ready To Boot event/Legacy Boot event
CPU temperature	Fully boot

Drivers and Utilities

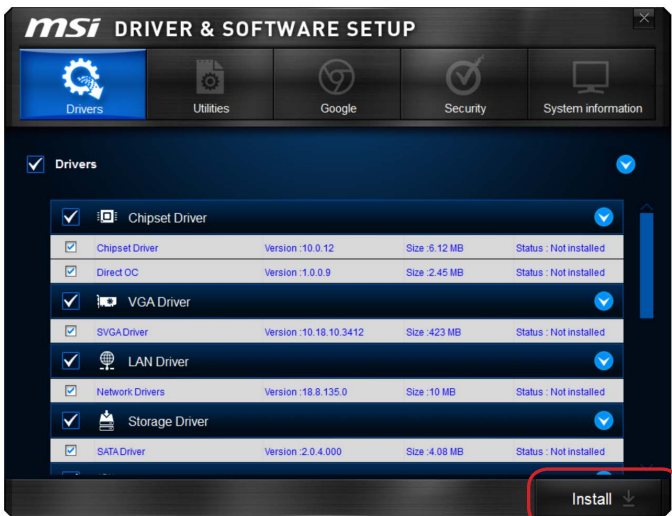
After you install the operating system you will need to install drivers to maximize the performance of the new computer you just built. MSI motherboard comes with a Driver Disc. Drivers allow the computer to utilize your motherboard more efficiently and take advantage of any special features we provide.

You can protect your computer from viruses by installing the bundled security program. The bundle also includes a variety of powerful and creative utilities.

Driver/ Utilities Installation

Please follow the steps below to install drivers and utilities for your new computer.

1. Insert MSI Driver Disc into the optical drive. The installer will automatically appear if autorun is enabled in OS.
2. The installer will automatically find and list all necessary drivers.
3. Click **Install** button.



Click here

4. The software installation will then be in progress, after it has finished it will prompt you to restart.
5. Click **OK** button to finish.
6. Restart your computer.

You can also use the same method to install the utilities.

BIOS Setup

CLICK BIOS is developed by MSI that provides a graphical user interface for setting parameters of BIOS by using the mouse and the keyboard.

With the CLICK BIOS, users can change BIOS settings, monitor CPU temperature, select the boot device priority and view system information such as the CPU name, DRAM capacity, the OS version and the BIOS version. Users can import and export parameters data for backup or sharing with friends.

Entering BIOS Setup

Power on the computer and the system will start the Power On Self Test (POST) process. When the message below appears on the screen, press key to enter BIOS:

Press to run BIOS setup, or <F11> to run boot menu

If the message disappears before you respond and you still need to enter BIOS, restart the system by turning the computer OFF then back ON or pressing the RESET button. You may also restart the system by simultaneously pressing <Ctrl>, <Alt>, and <Delete> keys.

MSI additionally provides two methods to enter the BIOS setup. You can click the "GO2BIOS" tab on "MSI Fast Boot" utility screen or press the physical "GO2BIOS" button (optional) on the motherboard to enable the system going to BIOS setup directly at next boot.



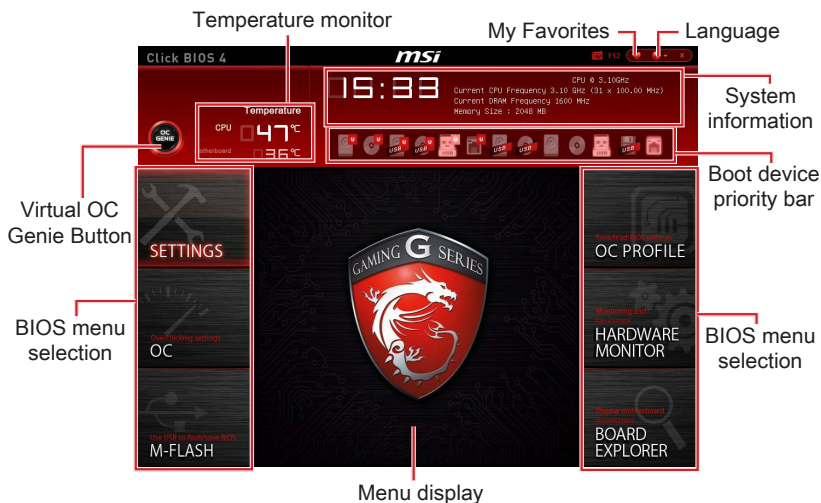
Click "GO2BIOS" tab on "MSI Fast Boot" utility screen.

Important

- Please be sure to install the "MSI Fast Boot" utility before using it to enter the BIOS setup.
- The items under each BIOS category described in this chapter are under continuous update for better system performance. Therefore, the description may be slightly different from the latest BIOS and should be held for reference only.

Overview

After entering BIOS, the following screen is displayed.



► BIOS menu selection

The following options are available:

- **SETTINGS** - Uses this menu to specify the parameters for chipset and boot devices.
- **OC** - This menu contains the frequency and voltage adjustments. Increasing the frequency can get better performance, however high frequency and heat can cause instability, we do not recommend general users to overclock.
- **M-FLASH** - This menu provides the way to update BIOS with a USB flash disk.
- **OC PROFILE** - This menu is used to set various overclocking profiles.
- **HARDWARE MONITOR** - This menu is used to set the speeds of fans and monitor voltages of system.
- **BOARD EXPLORER** - It provides the information of the installed devices on the motherboard.

► Virtual OC Genie Button

Enables or disables the OC Genie function by clicking on this button. When enabled, this button will be light. Enabling OC Genie function can automatically overclock with MSI optimized overclocking profile.



We recommend that you do not to make any modification in OC menu mode and do not to load defaults after enabling the OC Genie function.

► Menu display

This area provides BIOS setting items and information to be configured.

► Boot device priority bar

You can move the device icons to change the boot priority.



High priority —————> Low priority

► System information

Shows the time, date, CPU name, CPU frequency, DRAM frequency, DRAM capacity and the BIOS version.

► Language

Allows you to select the language of the BIOS setup.

► Temperature monitor

Shows the temperatures of the processor and the motherboard.




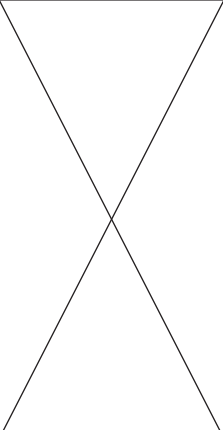
► My Favorites

Allows you to create your personal BIOS menu where you can save and access your favorite/ frequently-used BIOS setting items.

- **Default HomePage** - Allows you to select a BIOS menu (e.g. Settings, OC...,etc) as the BIOS home page.
- **Favorite1~5** - Allows you to add the frequently-used/ favorite BIOS setting items in one page.

Operation

You can control BIOS settings with the mouse and the keyboard. The following table lists and describes the hot keys and the mouse operations.

Hot key	Mouse	Description
<↑↓→←>	 Move the cursor	Select Item
<Enter>	 Click/ Double-click the left button	Select Icon/ Field
<Esc>	 Click the right button	Jump to the Exit menu or return to the previous from a submenu
<+>		Increase the numeric value or make changes
<->		Decrease the numeric value or make changes
<F1>		General Help
<F2>		Favorites assistant
<F3>		Enter My Favorites menu
<F4>		CPU Specifications
<F5>		Enter Memory-Z
<F6>		Load optimized defaults
<F8>		Load Overclocking Profile
<F9>		Save Overclocking Profile
<F10>		Save Change and Reset
<F12>		Save a screenshot to a FAT/FAT32 USB drive

OC Menu

This menu is for advanced users who want to overclock the mainboard.



Important

- Overclocking your PC manually is only recommended for advanced users.
- Overclocking is not guaranteed, and if done improperly, can void your warranty or severely damage your hardware.
- If you are unfamiliar with overclocking, we advise you to use OC Genie for easy overclocking.

▶ Simple/Advanced Mode [Simple]

Enables or disables the advanced OC settings in BIOS.

[Simple] Provides the regular OC settings in BIOS setup.

[Advanced] Provides the advanced OC settings for experienced users to configure in BIOS setup.

Note: We use * as the symbol for the OC settings of Advanced mode.

▶ CPU Ratio [Auto]

Sets the CPU ratio that is used to determine CPU clock speed. This item can only be changed if the processor supports this function.

▶ Adjusted CPU Frequency

Shows the adjusted CPU frequency. Read-only.

▶ EIST [Enabled]*

Enables or disables the Enhanced Intel® SpeedStep Technology. This item will be available when "CPU Ratio" is set to [Auto].

[Enabled] Enables the EIST to adjust CPU voltage and core frequency dynamically. It can decrease average power consumption and average heat production.

[Disabled] Disables EIST.

► OC Genie Function Control [By Onboard Button]

Enables the OC Genie function by virtual button in BIOS or physical button on motherboard. Enabling OC Genie function can automatically overclock the system with MSI optimized overclocking profile.

[By BIOS Options] OC Genie function is enabled by clicking the virtual OC Genie button at the top left corner of BIOS setup screen.

[By Onboard Button] OC Genie function is enabled by pressing the physical OC Genie button on the motherboard.



Important

- *We recommend that you do not to make any modification in OC menu and do not to load defaults after enabling the OC Genie function.*
- *Updating BIOS or clearing CMOS is not allowed in OC Genie mode, and it may cause OC Genie function fail or other effect.*

► Ring Ratio [Auto]

Sets the ring ratio. The valid value range depends on the installed CPU.

► Adjusted Ring Frequency

Shows the adjusted Ring frequency. Read-only.

► GT Ratio [Auto]

Sets the integrated graphics ratio. The valid value range depends on the installed CPU.

► Adjusted GT Frequency

Shows the adjusted integrated graphics frequency. Read-only.

► CPU Base Clock (MHz) [Default]

Sets the CPU Base clock. You may overclock the CPU by adjusting this value. Please note that overclocking behavior and stability is not guaranteed. This item appears when the installed processor supports this function.

► DRAM Frequency [Auto]

Sets the DRAM frequency. Please note the overclocking behavior is not guaranteed.

► Adjusted DRAM Frequency

Shows the adjusted DRAM frequency. Read-only.

► Extreme Memory Profile (X.M.P) [Disabled]

X.M.P. (Extreme Memory Profile) is the overclocking technology by memory module. This item will be available when you install the memory modules that support X.M.P. technology.

[Disabled] Disables this function.

[Profile 1] Uses profile1 over-clocking settings of installed XMP memory module.

[Profile 2] Uses profile2 over-clocking settings of installed XMP memory module.

► Memory Try It ! [Disabled]

Memory Try It! works for improving memory compatibility or performance by choosing optimized memory preset.

► DRAM Timing Mode [Auto]

Selects the memory timing mode.

[Auto] DRAM timings will be determined based on SPD (Serial Presence Detect) of installed memory modules.

[Link] Allows user to configure the DRAM timing manually for all memory channel.

[UnLink] Allows user to configure the DRAM timing manually for respective memory channel.

► Advanced DRAM Configuration

Press <Enter> to enter the sub-menu. This sub-menu will be activated after setting [Link] or [Unlink] in "DRAM Timing Mode". User can set the memory timing for each memory channel. The system may become unstable or unbootable after changing memory timing. If it occurs, please clear the CMOS data and restore the default settings. (Refer to the Clear CMOS jumper/ button section to clear the CMOS data, and enter the BIOS to load the default settings.)

► DRAM Training Configuration*

Press <Enter> to enter the sub-menu. Enables or disables the various training ways of DRAM. The system may become unstable or unbootable after changing these items in this sub-menu. If it occurs, please clear the CMOS data and restore the default settings. (Refer to the Clear CMOS jumper/ button section to clear the CMOS data, and enter the BIOS to load the default settings.)

► Memory Fast Boot [Auto]

Enables or disables the initiation and training for memory every booting.

[Auto] This setting will be configured automatically by BIOS.

[Enabled] Memory will completely imitate the archive of first initiation and first training. After that, the memory will not be initialed and trained when booting to accelerate the system booting time.

[Disabled] The memory will be initialed and trained every booting.

► DigitALL Power

Press <Enter> to enter the sub-menu. Controls the digital powers related to CPU PWM.

► VR 12VIN OCP Expander [Auto]

Expands the limitation of VR Over Current Protection with 12V input voltage. The higher expanding value indicates less protection. Therefore, please adjust the current carefully if needed, or it may damage the CPU/ VR MOS. If set to "Auto", BIOS will configure this setting automatically.

► CPU Phase Control [Auto]

Controls PWM phase proportionally to the CPU loading. If set to "Auto", BIOS will optimize the CPU PWM phase automatically.

[Auto] This setting will be configured automatically by BIOS.

[Normal] Sets the normal power phase profile for CPU, it could provide a stable system performance and effective power-saving capability.

[Optimized] Sets the optimum power phase profile for CPU, it could provide the system with an optimum power-saving capability.

[Disabled] Disables the PWM power phase switching feature.

▶ **CPU Vdroop Offset Control [Auto]**

Sets a percentage of offset voltage for CPU vdroop. If set to "Auto", BIOS will configure this setting automatically.

▶ **CPU Over Voltage Protection [Auto]**

Sets the voltage limit for CPU over-voltage protection. If set to "Auto", BIOS will configure this setting automatically. Higher voltage provides less protection and may damage the system.

▶ **CPU Under Voltage Protection [Auto]**

Sets the voltage limit for CPU under-voltage protection. If set to "Auto", BIOS will configure this setting automatically. Higher voltage provides less protection and may damage the system.

▶ **CPU Over Current Protection [Auto]**

Sets the current limit for CPU over-current protection. If set to "Auto", BIOS will configure this setting automatically. Higher voltage provides less protection and may damage the system.

▶ **CPU Switching Frequency [Auto]**

Sets the PWM working speed to stabilize CPU Core voltage and minimize ripple range. Increasing the PWM working speed will cause higher temperature of MOSFET. So please make sure a cooling solution is well-prepared for MOSFET before you increase the value. If set to "Auto", BIOS will configure this setting automatically.

▶ **CPU VRM Over Temperature Protection [Enabled]**

Enables or disables the CPU VRM over-temperature protection.

[Enabled] Sets the temperature limit on CPU VRM for over-temperature protection. The CPU frequency may be throttled when CPU VRM over the specified temperature.

[Disabled] Disables this function.

▶ **DRAM Phase Control [Auto]**

Controls PWM phase proportionally to the DRAM loading. If set to "Auto", BIOS will optimize the DRAM PWM phase automatically.

[Auto] This setting will be configured automatically by BIOS.

[Disabled] Disables the PWM power phase switching feature.

▶ **DRAM Switching Frequency [Auto]**

Sets the PWM working speed to stabilize DRAM voltage and minimize ripple range. If set to "Auto", BIOS will configure this setting automatically.

▶ **SVID Communication [Auto]***

Enables or disables SVID (Serial Voltage Identification) support.

[Auto] This setting will be configured automatically by BIOS.

[Enabled] PWM phase will be changed dynamically according to the CPU SVID (Serial Voltage Identification).

[Disabled] Disables SVID (Serial Voltage Identification) support.

▶ **VCCIN Voltage [Auto]**

Sets the CPU input voltage. The CPU input voltage is the CPU power source that is shared with components of the CPU.

► CPU Core/Ring/GT Voltage Mode [Auto]*

Selects the control mode for CPU Core/ Ring/ GT voltages.

[Auto] This setting will be configured automatically by BIOS.

[Adaptive Mode] Sets the adaptive voltage automatically for optimizing the system performance.

[Override Mode] Allows you to set the voltage manually.

[Offset Mode] Allows you to set the offset voltage and select the voltage offset mode.

[Adaptive + Offset] Sets the adaptive voltage automatically and allows you to set the offset voltage.

[Override + Offset] Allows you to set the voltage and the offset voltage manually.

► CPU Core Voltage/ CPU Ring Voltage/ CPU GT Voltage [Auto]

Sets the CPU Core/ Ring/ GT voltages. If set to "Auto", BIOS will set these voltages automatically or you can set it manually. This item appears when "CPU Core/Ring/GT Voltage Mode" sets to [Auto]/ [Adaptive Mode]/ [Override Mode].

► CPU Core/ Ring/ GT Voltage Offset Mode [Auto]*

Selects the offset mode for CPU Core/ Ring/ GT voltage. This item appears when "CPU Core/Ring/GT Voltage Mode" sets to [Offset Mode]/ [Adaptive + Offset]/ [Override + Offset].

[Auto] This setting will be configured automatically by BIOS.

[+] Allows you to offset the voltage by positive value mode.

[-] Allows you to offset the voltage by negative value mode.

► CPU Core/ Ring/ GT Voltage Offset [Auto]

Sets the offset value for CPU Core/ Ring/ GT voltage. If set to "Auto", BIOS will set these voltages automatically or you can set it manually. This item appears when "CPU Core/Ring/GT Voltage Mode" sets to [Offset Mode]/ [Adaptive + Offset]/ [Override + Offset].

► CPU SA/IOA/IOD Voltage Mode [Manual Mode]*

Selects the control mode for CPU SA/ IOA (IO Analog)/ IOD (IO Digital) voltages.

[Manual] Allows you to set the voltage manually.

[Offset] Allows you to set the offset voltage and select the voltage offset mode.

► CPU SA/ IO Analog/ IO Digital Voltage Offset Mode [Auto]*

Selects the offset mode for CPU SA/ IO Analog/ IO Digital voltage. This item appears when "CPU SA/IOA/IOD Voltage Mode" sets to [Offset Mode].

[Auto] This setting will be configured automatically by BIOS.

[+] Allows you to offset the voltage by positive value mode.

[-] Allows you to offset the voltage by negative value mode.

► CPU SA/ IO Analog/ IO Digital Voltage Offset [Auto]*

Sets the offset value for CPU SA/ IO Analog/ IO Digital voltage. If set to "Auto", BIOS will set these voltages automatically or you can set it manually. This item appears when "CPU SA/IOA/IOD Voltage Mode" sets to [Offset Mode].

► **CPU SA/ IO Analog/ IO Digital Voltage [Auto]***

Sets CPU SA/ IO Analog/ IO Digital voltage. If set to "Auto", BIOS will set these voltages automatically or you can set it manually. This item appears when "CPU SA/ IOA/IOD Voltage Mode" sets to [Manual Mode].

► **XXX Voltage [Auto]* (optional)**

Sets the voltages related to memory/ PCH. If set to "Auto", BIOS will set the voltage automatically or you can set it manually.

► **CPU Memory Changed Detect [Enabled]***

Enables or disables the system to issue a warning message during boot when the CPU or memory has been replaced.

[Enabled] The system will issue a warning message during boot and then needs to load the default settings for new devices.

[Disabled] Disables this function and keeps the current BIOS settings.

► **CPU Specifications**

Press <Enter> to enter the sub-menu. This sub-menu displays the information of installed CPU. You can also access this information menu at any time by pressing [F4]. Read only.

► **CPU Technology Support**

Press <Enter> to enter the sub-menu. The sub-menu shows what the key features does the installed CPU support. Read only.

► **MEMORY-Z**

Press <Enter> to enter the sub-menu. This sub-menu displays all the settings and timings of installed memory. You can also access this information menu at any time by pressing [F5].

► **DIMMx Memory SPD**

Press <Enter> to enter the sub-menu. The sub-menu displays the information of installed memory. Read only.

► **CPU Features**

Press <Enter> to enter the sub-menu.

► **Hyper-Threading Technology [Enabled]**

The processor uses Hyper-Threading technology to increase transaction rates and reduces end-user response times. Intel Hyper-Threading technology treats the multi cores inside the processor as multi logical processors that can execute instructions simultaneously. In this way, the system performance is highly improved. This item appears when the installed CPU supports this setting.

[Enable] Enables Intel Hyper-Threading technology.

[Disabled] Disables this item if the system does not support HT function.

► **Active Processor Cores [All]**

This item allows you to select the number of active processor cores.

► **Limit CPUID Maximum [Disabled]**

Enables or disables the extended CPUID value.

[Enabled] BIOS will limit the maximum CPUID input value to circumvent boot problems with older operating system that do not support the processor with extended CPUID value.

[Disabled] Use the actual maximum CPUID input value.

► **Execute Disable Bit [Enabled]**

Intel's Execute Disable Bit functionality can prevent certain classes of malicious "buffer overflow" attacks where worms attempt to execute code to damage the system. It is recommended that keeps this item enabled always.

[Enabled] Enables NO-Execution protection to prevent the malicious attacks and worms.

[Disabled] Disables this function.

► **Intel Virtualization Tech [Enabled]**

Enables or disables Intel Virtualization technology.

[Enabled] Enables Intel Virtualization technology and allows a platform to run multiple operating systems in independent partitions. The system can function as multiple systems virtually.

[Disabled] Disables this function.

► **Intel VT-D Tech [Enabled]**

Enables or disables Intel VT-D (Intel Virtualization for Directed I/O technology).

► **Hardware Prefetcher [Enabled]**

Enables or disables the hardware prefetcher (MLC Streamer prefetcher).

[Enabled] Allows the hardware prefetcher to automatically pre-fetch data and instructions into L2 cache from memory for tuning the CPU performance.

[Disabled] Disables the hardware prefetcher.

► **Adjacent Cache Line Prefetch [Enabled]**

Enables or disables the CPU hardware prefetcher (MLC Spatial prefetcher).

[Enabled] Enables adjacent cache line prefetching for reducing the cache latency time and tuning the performance to the specific application.

[Disabled] Enables the requested cache line only.

► **CPU AES Instructions [Enabled]**

Enables or disables the CPU AES (Advanced Encryption Standard-New Instructions) support. This item appears when a CPU supports this function.

[Enabled] Enables Intel AES support.

[Disabled] Disables Intel AES support.

► **Intel Adaptive Thermal Monitor [Enabled]**

Enables or disables the Intel adaptive thermal monitor function to protect the CPU from overheating.

[Enabled] Throttles down the CPU core clock speed when the CPU is over the adaptive temperature.

[Disabled] Disables this function.

► **Intel C-State [Auto]**

C-state is a processor power management technology defined by ACPI.

[Auto] This setting will be configured automatically by BIOS.

[Enabled] Detects the idle state of system and reduce CPU power consumption accordingly.

[Disabled] Disable this function.

► C1E Support [Disabled]

Enables or disables the C1E function for power-saving in halt state. This item appears when "Intel C-State" is enabled.

[Enabled] Enables C1E function to reduce the CPU frequency and voltage for power-saving in halt state.

[Disabled] Disables this function.

► Package C State limit [Auto]

This item allows you to select a CPU C-state mode for power-saving when system is idle. This item appears when "Intel C-State" is enabled.

[Auto] This setting will be configured automatically by BIOS.

[C0~C7s] The power-saving level from high to low is C7s, C7, C6, C3, C2, then C0.

► LakeTiny Feature [Disabled]

Enables or disables Intel Lake Tiny feature with iRST for SSD. This item appears when a installed CPU supports this function and "Intel C-State" is enabled.

[Enabled] Enhance the dynamic IO load adjusted performance for accelerating the SSD speed.

[Disabled] Disables this feature.

► EIST [Enabled]

Enables or disables the Enhanced Intel® SpeedStep Technology. This item will appear when "Simple/ Advanced Mode" is set to [Simple].

[Enabled] Enables the EIST to adjust CPU voltage and core frequency dynamically. It can decrease average power consumption and average heat production.

[Disabled] Disables EIST.

► Intel Turbo Boost [Enabled]

Enables or disables the Intel® Turbo Boost. This item is for Simple mode and appears when the installed CPU supports this function.

[Enabled] Enables this function to boost CPU performance automatically above rated specifications when system request the highest performance state.

[Disabled] Disables this function.

► Long Duration Power Limit (W) [Auto]

Sets the long duration TDP power limit for CPU in Turbo Boost mode.

► Long Duration Maintained (s) [Auto]

Sets the maintaining time for "Long duration power Limit(W)".

► Short Duration Power Limit (W) [Auto]

Sets the short duration TDP power limit for CPU in Turbo Boost mode.

► CPU Current limit (A) [Auto]

Sets maximum current limit of CPU package in Turbo Boost mode. When the current is over the specified limit value, the CPU will automatically reduce the core frequency for reducing the current.

► **Internal VR OVP OCP Protection [Auto]**

Enables or disables the over-voltage protection and over-current protection for CPU internal VR (Voltage Regulator).

[Auto] This setting will be configured automatically by BIOS.

[Enabled] Sets the voltage limit on the CPU internal VR for over-voltage protection and over-current protection.

[Disabled] Disables this function for overclocking.

► **Internal VR Efficiency Management [Auto]**

Enables or disables the CPU internal VR efficiency management.

[Auto] This setting will be configured automatically by BIOS.

[Enabled] Enables the VR efficiency management for power-saving control.

[Disabled] Disables this function.

► **Internal VR Switching Frequency [Auto]**

Sets offset percentage of Internal VR Switching Frequency. If set to "Auto", BIOS will configure this setting automatically. This item only appears when a CPU that support this function is installed.

► **DMI Gen 2 [Enabled]**

Enables or disables DMI (Direct Media Interface) generation 2.

► **DMI De-emphasis Control [-6dB]**

Sets the de-emphasis value to improve DMI margins. However, the default usually works best.

Deutsch

Danke, dass Sie das Z97A GAMING 9 ACK (MS-7926 v1.X) ATX Motherboard gewählt haben. Diese Z97A GAMING 9 ACK Motherboard basiert auf dem Intel® Z97 Chipsatz und ermöglicht so ein optimales und effizientes System. Entworfen, um den hochentwickeltesten Intel® LGA1150 Prozessor zu unterstützen, stellt die Z97A GAMING 9 ACK Motherboard die ideale Lösung zum Aufbau eines professionellen Hochleistungsdesktopsystems dar.

Spezifikationen

Prozessor	<ul style="list-style-type: none"> ■ Die Intel® Core™ Prozessoren der 4. und 5. Generation und Intel® Pentium® und Celeron® Prozessoren für LGA 1150 Socket
Chipsatz	<ul style="list-style-type: none"> ■ Intel® Z97 Express Chipsatz
Speicher	<ul style="list-style-type: none"> ■ 4x DDR3 Speicherplätze unterstützen bis zu 32GB ■ Unterstützt DDR3 3200(OC)/ 3100(OC)/ 3000(OC)/ 2800(OC)/ 2666(OC)/ 2600(OC)/ 2400(OC)/ 2200(OC)/ 2133(OC)/ 2000(OC)/ 1866(OC)/ 1600/ 1333/ 1066 MHz ■ Dual-Kanal-Speicherarchitektur ■ Unterstützt ungepufferte Non-ECC-Speicher ■ Unterstützt Intel® Extreme Memory Profile (XMP)
Erweiterungsanschlüsse	<ul style="list-style-type: none"> ■ 3x PCIe 3.0 x16-Steckplätze (unterstützt die Modi x16, x8/x8, x8/x4/x4) ■ 3x PCIe 2.0 x1-Steckplätze
Onboard-Grafik	<ul style="list-style-type: none"> ■ 1x HDMI Anschluss, unterstützt eine maximale Auflösung von 4096x2160@24 Hz/ 2560x1600@60 Hz ■ 1x DisplayPort, unterstützt eine maximale Auflösung von 4096x2304@24Hz/ 2560x1600@60Hz/ 3840x2160@60Hz/1920x1200@60Hz
Multi-GPU	<ul style="list-style-type: none"> ■ Unterstützt 3-Wege AMD® CrossFire™ Technologie* ■ Unterstützt 2-Wege NVIDIA® SLI™ Technologie <p>* Betriebssystemunterstützung: Windows 7 und Windows 8/ 8.1</p>
Aufbewahrung	<ul style="list-style-type: none"> ■ Intel® Z97 Express Chipsatz <ul style="list-style-type: none"> - 6x SATA 6Gb/s Anschlüsse (SATA1~6) - 1x M.2-Port* - M.2-Port unterstützt das M.2 SATA 6Gb/s Modul - M.2-Port unterstützt die Geschwindigkeit des M.2 PCIe Moduls bis zu 10Gb/s** - M.2-Port unterstützt die 4,2cm/ 6cm/ 8cm Modullänge - Unterstützt RAID 0, RAID1, RAID 5 und RAID 10*** - Unterstützt die Intel® Smart Response Technologie, Intel® Rapid Start Technologie und Intel® Smart Connect Technologie**** ■ ASMedia ASM1061 Chipsatz <ul style="list-style-type: none"> - 2x SATA 6Gb/s Anschlüsse (SATA7~8) <p>* Die SATA5 und SATA6 Anschlüsse werden nicht zur Verfügung stehen, wenn Sie ein Modul im M.2 Port installieren.</p> <p>** Intel RST unterstützt PCIe M.2 SSD mit Legacy ROM nicht.</p> <p>*** Die M.2 PCIe Schnittstelle nicht unterstützt RAID 0, RAID1, RAID 5 und RAID 10.</p> <p>**** Unterstützt die Intel Core processors auf Windows 7 und Windows 8/ 8.1</p>
USB	<ul style="list-style-type: none"> ■ Intel® Z97 Express Chipsatz <ul style="list-style-type: none"> - 4x USB 3.0 Anschlüsse stehen durch die internen USB Anschlüsse zur Verfügung - 6x USB 2.0 Anschlüsse (2 Anschlüsse an der rückseitigen Anschlussleiste, 4 Anschlüsse stehen durch die internen USB Anschlüsse zur Verfügung*) ■ ASMedia ASM1074 Chipsatz <ul style="list-style-type: none"> - 6x USB 3.0 Anschlüsse an der rückseitigen Anschlussleiste ■ ASMedia ASM1142 Chipsatz <ul style="list-style-type: none"> - 2x USB 3.1 Anschlüsse an der rückseitigen Anschlussleiste <p>* Interner JUSB1 Anschluss unterstützt MSI Super Charger.</p>

Audio	<ul style="list-style-type: none"> ■ Realtek® ALC1150 Codec <ul style="list-style-type: none"> - 7,1-Kanal-HD-Audio - Unterstützt S/PDIF-Ausgang ■ CMedia CM6631A (für JAUD1) <ul style="list-style-type: none"> - Unterstützt USB 2.0 Hochgeschwindigkeits Audio
LAN	<ul style="list-style-type: none"> ■ 1x Killer E2205 Gigabit LAN Controller <p>* Der Killer Network Manager ist derzeit nur für Windows 7 und Windows 8/ 8.1 erhältlich. Die unterstützten Treiber für andere Betriebssysteme würden auf der Website zur Verfügung stehen, wenn vom Lieferanten zur Verfügung gestellt.</p>
Wireless LAN	<ul style="list-style-type: none"> ■ Killer Wireless 1525 Modul. <ul style="list-style-type: none"> - Unterstützt 2x2 802.11a/b/g/n/ac mit erweiterten Funktionen. - Unterstützt 20/ 40MHz im 2,4GHz und 20/ 40/ 80MHz im 5GHz Band
Bluetooth	<ul style="list-style-type: none"> ■ Killer Wireless 1525 Modul. <ul style="list-style-type: none"> - Unterstützt Bluetooth v4.1
Hintere Ein- und Ausgänge	<ul style="list-style-type: none"> ■ PS/2 Tastatur-/Maus-Combo-Anschluss x1 ■ USB 2.0 Anschlüsse x2 ■ Clear CMOS Taste x1 ■ USB 3.0 Anschlüsse x6 ■ USB 3.1 Anschlüsse x2 ■ LAN (RJ45) Anschluss x1 ■ Optischer S/PDIF-Ausgang x1 ■ HDMI Anschluss x1 ■ DisplayPort x1 ■ OFC Audiobuchsen x6
Interne Anschlüsse	<ul style="list-style-type: none"> ■ ATX 24-poliger Stromanschluss x1 ■ ATX12V 8-poliger Stromanschluss x1 ■ SATA 6Gb/s Anschlüsse x8 ■ M.2-Port x1 ■ USB 2.0 Anschlüsse x2 (unterstützt zusätzliche 4 USB 2.0-Ports) ■ USB 3.0 Anschlüsse x2 (unterstützt zusätzliche 4 USB 3.0 Ports) ■ 4-poliger CPU-Lüfter-Anschlüsse x2 ■ 4-poliger System-Lüfter-Anschlüsse x3 ■ TPM Anschluss x1 ■ Audioanschluss des Frontpanels x1 ■ Direct Audio Power Anschluss x1 ■ Systemtafelanschlüsse x2 ■ Gehäusekontaktschalter x1 ■ Steckbrücke zur CMOS-Löschung x1 ■ Spannungsmesspunkte x9 ■ Ein-/ Ausschalter x1 ■ Reset-Taste x1 ■ OC Genie Taste x1 ■ Multi-BIOS Schalter x1 ■ Steckbrücke für den Start im Slow Mode x1 ■ Audio Power Schalter x1 ■ Wi-Fi/Bluetooth Modul-Anschluss x1 ■ 2-Digit Debug Code LED x1
E/A Anschluss	<ul style="list-style-type: none"> ■ NUVOTON NCT6792 Controller Chip
Hardware-Monitor	<ul style="list-style-type: none"> ■ CPU/System Temperaturerfassung ■ CPU/System Geschwindigkeitserfassung ■ CPU/System Lüfterdrehzahlregelung

BIOS Funktionen	<ul style="list-style-type: none"> ■ 2x 64 Mb Flash ■ UEFI AMI BIOS ■ ACPI 5.0, PnP 1.0a, SM BIOS 2.7, DMI 2.0 ■ Mehrsprachunterstützung
Besonderheiten	<ul style="list-style-type: none"> ■ Audio Boost 2 ■ Military Class 4 ■ OC Genie 4 ■ CLICK BIOS 4 ■ NVIDIA SLI ■ AMD CrossFire ■ Sound Blaster Cinema 2 ■ Easy Button ■ Spannungsmesspunkte ■ Clear CMOS Taste ■ Total Lüftersteuerung ■ Spielgerät-Port ■ Super Charger ■ SMART-Funktion ■ Wi-Fi ■ Bluetooth ■ Kommandozentrale ■ ECO Center
Software	<ul style="list-style-type: none"> ■ Treiber ■ MSI <ul style="list-style-type: none"> - Kommandozentrale - Live Update 6 - SMART-Funktion - Super Charger - Fast Boot - ECO Center - MSI Spiele-Apps ■ 7-ZIP ■ Intel Extreme Tuning Utility ■ Norton Internet Security Solution ■ Sound Blaster Cinema 2 ■ XSplit Gamecaster ■ Killer Network Manager
Formfaktor	<ul style="list-style-type: none"> ■ ATX Formfaktor ■ 12 Zoll x 9,6 Zoll (30,5 cm x 24,4 cm)

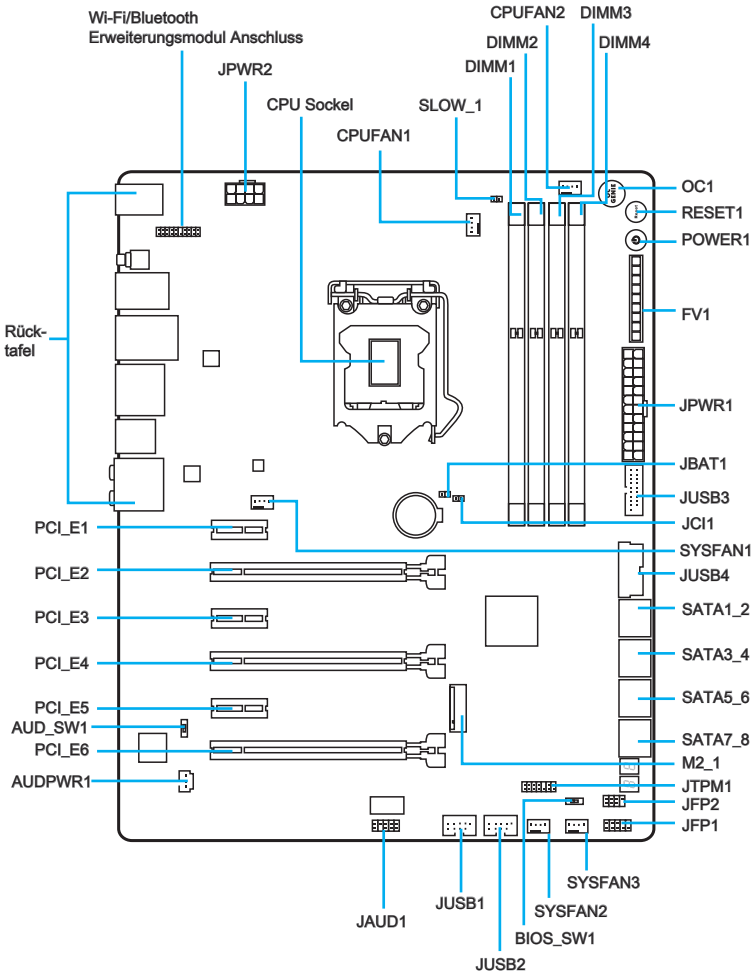


Weitere CPU Informationen finden Sie unter <http://www.msi.com/cpu-support/>



Die neuesten Informationen über kompatible Bauteile finden Sie unter <http://www.msi.com/test-report/>

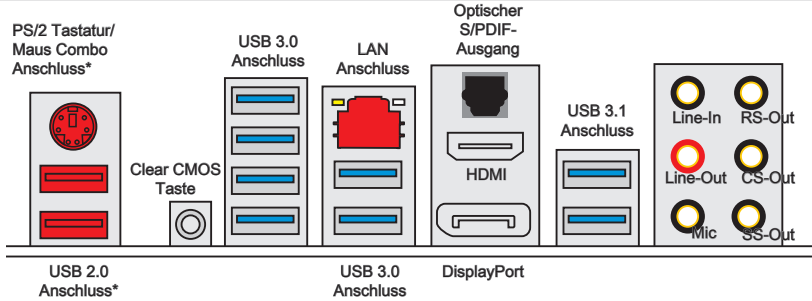
Anschlussübersicht



Übersicht der Motherboard-Anschlüsse

Port-Name	Port-Typ	Seite
AUDPWR1	Direct Audio Power Anschluss	De-23
AUD_SW1	Audio Power Schalter	De-30
Rücktafel	E/A-Anschlüsse	De-7
BIOS_SW1	Multi-BIOS Schalter	De-29
CPU	LGA1150 CPU Sockel	De-9
CPUFAN1~2,SYSFAN1~3	Stromanschlüsse für Lüfter	De-19
DIMM1~4	DDR3 Speichersteckplätze	De-13
FV1	Spannungsmesspunkte	De-25
JAUD1	Audioanschluss des Frontpanels	De-23
JBAT1	Steckbrücke zur CMOS-Löschung	De-28
JCI1	Gehäusekontaktanschluss	De-22
JFP1, JFP2	Systemtafelanschlüsse	De-20
JPWR1~2	ATX Stromanschlüsse	De-15
JTPM1	TPM Anschluss	De-24
JUSB1~2	USB 2.0 Erweiterungsanschlüsse	De-21
JUSB3~4	USB 3.0 Erweiterungsanschlüsse	De-22
M2_1	M.2-Port	De-24
OC1	OC Genie Taste	De-26
PCI_E1~6	PCIe Erweiterungssteckplätze	De-16
POWER1	Ein-/Ausschalter	De-27
RESET1	Reset-Taste	De-27
SATA1~8	SATA Anschlüsse	De-18
SLOW_1	Steckbrücke für den Start im Slow Mode	De-28

Rücktafel-Übersicht



* Spiele-Gerät-Port.

► PS/2 Tastatur/Maus Combo Anschluss

Die Kombination von PS/2® Maus/Tastatur Stecker DIN ist für eine PS/2® Maus/Tastatur.

► Clear CMOS Taste

Auf dem Motherboard befindet sich ein CMOS RAM, das durch eine zusätzliche Batterie versorgt wird um Daten der Systemkonfiguration zu speichern. Mit diesem CMOS RAM kann das System bei Betätigung des Netzschalters jederzeit automatisch hochgefahren werden. Wenn Sie die Systemkonfiguration löschen wollen, müssen Sie die Steckbrücke für kurze Zeit umsetzen (Clear Data) bzw. die Clear-CMOS-Taste betätigen.

► USB 2.0 Anschluss

Der USB 2.0 Anschluss dient zum direkten Anschluss von USB 2.0-Geräten, wie etwa Tastatur, Maus oder weiterer USB 2.0-kompatibler Geräte.

► USB 3.0 Anschluss

Der USB 3.0 Anschluss ist abwärtskompatibel mit USB 2.0-Geräten. Er unterstützt Datentransferraten bis zu 5 Gbit/s (SuperSpeed).

► USB 3.1 Anschluss

Der USB 3.1 Anschluss ist abwärtskompatibel mit USB 3.0/ 2.0-Geräten. Er unterstützt Datentransferraten bis zu 10 Gb/s (SuperSpeed USB 10 Gbps).



Wichtig

Um ein USB 3.0/ 3.1 einzusetzen, schließen Sie es bitte mit einem USB 3.0/ 3.1 kompatiblen Kabel an einen USB 3.0/ 3.1 Anschluss an.

► LAN Port

Die Standard RJ-45 Buchse dient zur Verbindung in einem lokalen Netzwerk (LAN).

	LED	LED Status	Bezeichnung
	Link/ Activity LED (Verbindung/ Aktivität LED)	Aus	Keine Verbindung
		Gelb	Verbindung
		Blinkt	Datenaktivität
	Speed LED (Geschwindigkeit LED)	Aus	10 Mbps-Verbindung
		Grün	100 Mbps-Verbindung
		Orange	1 Gbps-Verbindung

► Optischer S/PDIF-Ausgang

Dieser S/PDIF-Ausgang (Sony & Philips Digital Interconnect Format) dient als digitale Schnittstelle zur Audioausgabe zur den externen Lautsprechern durch ein optisches Faserkabel.



► HDMI Anschluss

Das High-Definition Multimedia Interface (kurz HDMI) ist eine Schnittstelle für die volldigitale Übertragung von dekomprimierten Audio- und Video-Daten. Dieser HDMI unterstützt alle Formate für Fernsehen, einschließlich Standard- und Enhanced- oder HD-Video sowie das Audioformate der Unterhaltungselektronik.

► DisplayPort

Der DisplayPort ist eine neue digitale StandardSchnittstelle. Dieser Anschluss wird zur Verbindung des Monitor mit DisplayPort-Eingang verwendet.



Wichtig

Diese Plattform unterstützt die Ausgabe über 2 Displays.

	HDMI+DisplayPort
Erweiterter-Modus (Erweiterung des Desktops auf einen zweiten Monitor)	○
Clone mode (Monitors have the same screen)	○

► Audioanschlüsse

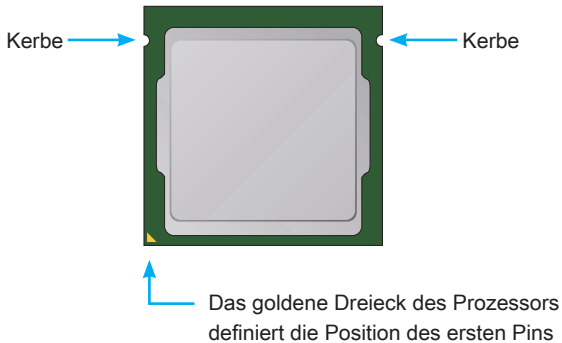
Diese Audioanschlüsse dienen zur Verbindung mit Audiogeräten.

- Line-In : Der Anschluss "Line In" kann externe Audioausgabegeräte aufnehmen.
- Line-Out : An den Anschluss "Line Out" können Sie Lautsprecher oder Kopfhörer anschließen.
- Mikrofon : Der Anschluss "Mic" nimmt ein Mikrofon auf.
- RS-Out : Dieser Anschluss nimmt die hinteren Surround-Lautsprecher im 4/ 5,1/ 7,1-Kanalmodus auf.
- CS-Out : Dieser Anschluss nimmt die mittleren oder Subwoofer-Lautsprecher im 5,1/ 7,1-Kanalmodus auf.
- SS-Out : Dieser Anschluss nimmt die seitlichen Surround-Lautsprecher im 7,1-Kanalmodus auf.

CPU (Prozessor)

Erklärung zur LGA 1150 CPU

Die Oberseite der LGA 1150 CPU hat zwei Justierungen und ein gelbes Dreieck um die korrekte Ausrichtung der CPU auf dem Motherboard zu gewährleisten. Das gelbe Dreieck des Prozessors definiert die Position des ersten Pins.



Wichtig

Überhitzung

Überhitzung beschädigt die CPU und das System nachhaltig. Stellen Sie stets eine korrekte Funktionsweise des CPU Kühlers sicher, um die CPU vor Überhitzung zu schützen. Überprüfen Sie eine gleichmäßige Schicht der thermischen Paste (oder thermischen Klebandes) zwischen der CPU und dem Kühlblech anwenden, um Wärmeableitung zu erhöhen.

CPU Wechsel

Stellen Sie vor einem Wechsel des Prozessors stets sicher, dass das Netzteil ausgeschaltet und der Netzstecker gezogen ist, um die Unversehrtheit der CPU zu gewährleisten.

Übertakten

Dieses Motherboard wurde so entworfen, dass es Übertakten unterstützt. Stellen Sie jedoch bitte sicher, dass die betroffenen Komponenten mit den abweichenden Einstellungen während des Übertaktens zurecht kommen. Von jedem Versuch des Betriebes außerhalb der Produktspezifikationen kann nur abgeraten werden. Wir übernehmen keinerlei Garantie für die Schäden und Risiken, die aus einem unzulässigem Betrieb oder einem Betrieb außerhalb der Produktspezifikation resultieren.

CPU & Kühlkörper Einbau

Wenn Sie die CPU einbauen, denken sie bitte daran einen CPU-Kühler zu installieren. Ein CPU-Kühlkörper ist notwendig, um eine Überhitzung zu vermeiden und die Systemstabilität beizubehalten. Befolgen Sie die nachstehenden Schritte, um die richtige CPU und CPU-Kühlkörper Installation zu gewährleisten. Ein fehlerhafter Einbau führt zu Schäden an der CPU und dem Motherboard.



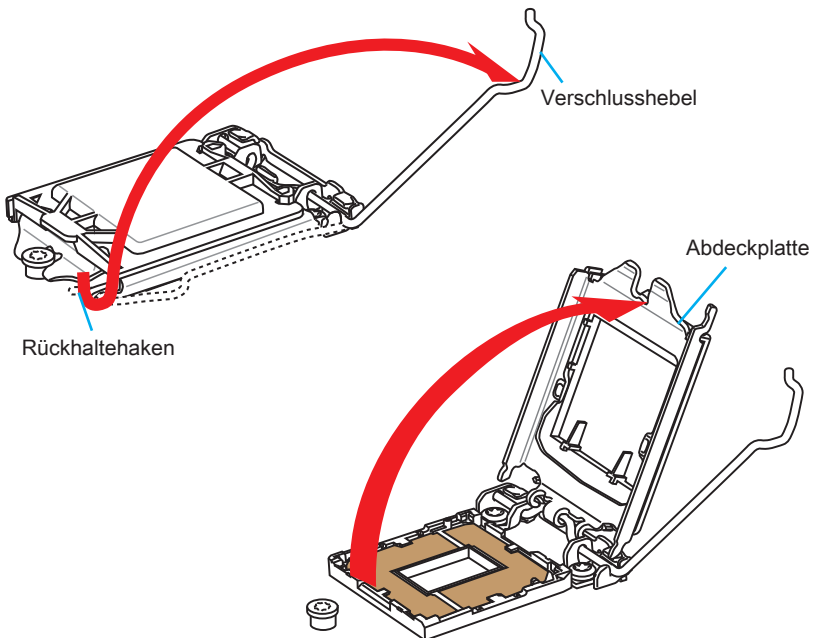
Video-Demonstration

Anhand dieses Video an untenstehender Adresse erfahren Sie, wie Sie CPU & Kühlkörper installieren.

<http://youtu.be/bf5La099url>



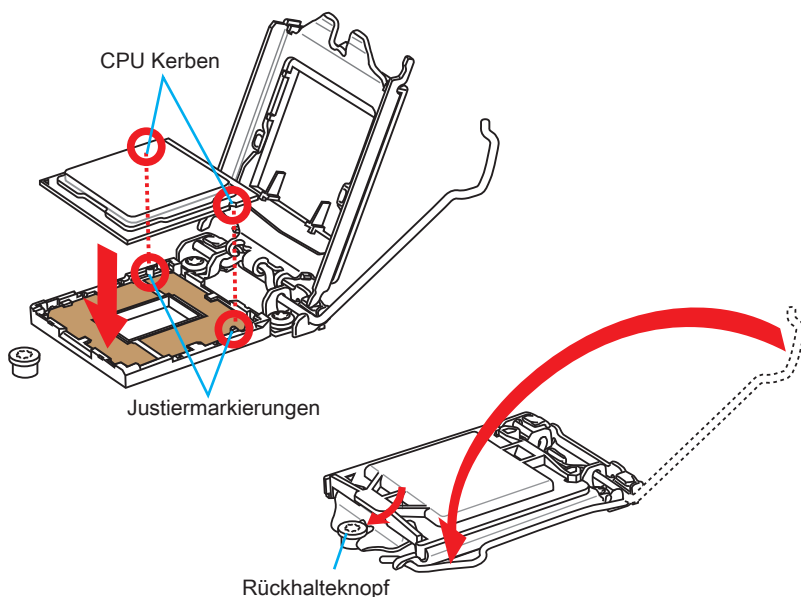
1. Drücken Sie den Verschlusshebel nach unten zum Öffnen des Hebels und öffnen Sie anschließend die Abdeckplatte.
2. Die Abdeckplatte sollte nach vollständigem zurückklappen des Verschlusshebels mit nach hinten klappen.



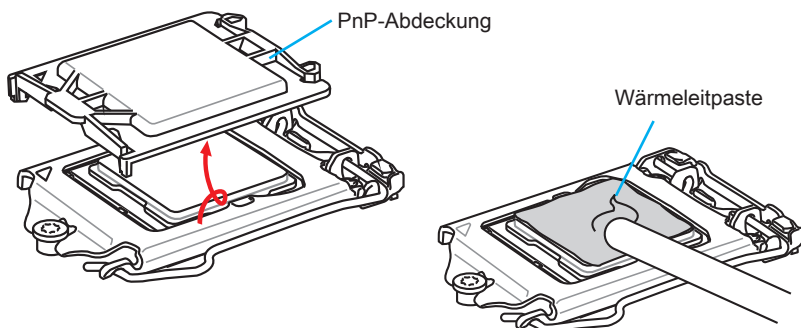
Wichtig

Berühren Sie die Sockelkontakte oder die Unterseite der CPU nicht.

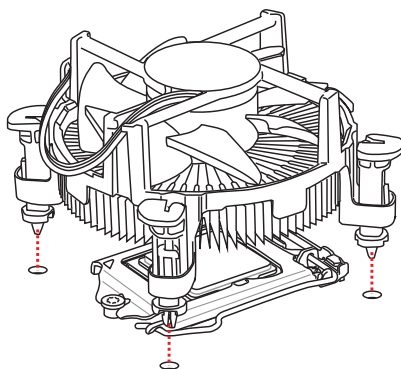
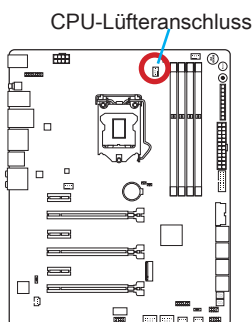
3. Positionieren Sie die Kerben mit die Justiermarkierungen des Sockels. Setzen Sie die CPU nach unten, ohne Kippen oder Schieben der CPU im Sockel. Begutachten Sie, ob die CPU richtig im Sockel sitzt.
4. Schließen Sie und schieben Sie die Abdeckplatte unter dem Rückhalteknopf. Verschließen Sie den Verschlusshebel.



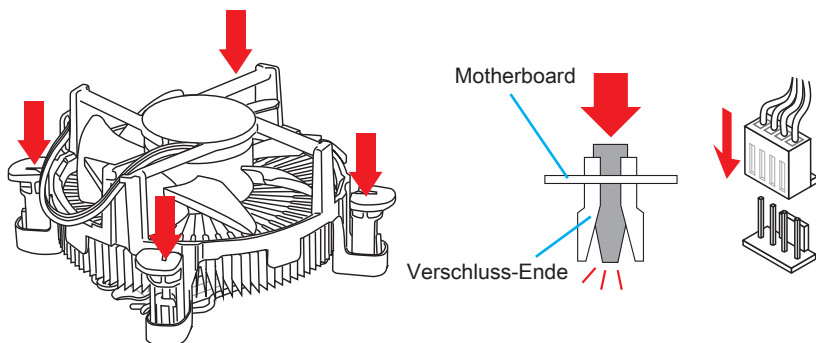
5. Wenn Sie den Verschlusshebel herunterdrücken, wird die PnP-Abdeckung aus dem CPU-Sockel automatisch getrennt. Bitte bewahren Sie die PnP-Abdeckung. Setzen Sie bitte immer die PnP-Abdeckung ein, wenn die CPU aus dem Sockel entfernt wird.
6. Verteilen Sie die dann eine geeignete Wärmeleitpaste oder ein Wärmeleitpad auf der Oberseite der eingesetzten CPU. Dies verbessert die Wärmeableitung maßgeblich und verhindert damit die Überhitzung des Prozessors.



7. Machen Sie den CPU-Lüfteranschluss auf dem Motherboard ausfindig.
8. Setzen Sie den Kühlkörper auf die CPU und beachten Sie die Übereinstimmung der Lüfterverankerungen mit den dafür vorgesehenen Löchern auf der Motherboard-Platine.



9. Drücken Sie nach der korrekten Positionierung des Kühlkörpers die Arretierungsstifte mit leichtem Druck nach unten bis sie einrasten. Das Einrasten sollte mit einem Klick hörbar sein.
10. Überprüfen Sie das Motherboard um sicherzustellen, dass das der Kühler korrekt installiert ist.
11. Schließlich verbinden Sie das Stromkabel des CPU Lüfters mit dem Anschluss auf dem Motherboard.

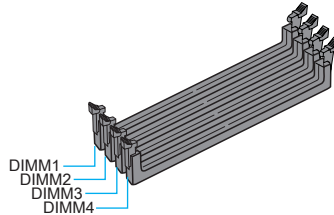
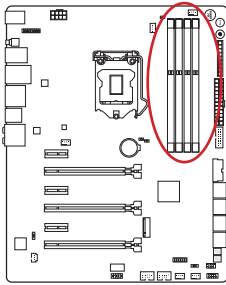


! Wichtig

- Stellen Sie sicher, dass Ihr Kühlkörper eine feste Verbindung mit der CPU hergestellt hat, bevor Sie Ihr System starten.
- Wenn keine CPU installiert ist, schützen Sie immer den CPU-Sockel durch die Plastikabdeckung.
- Wenn Sie eigene CPU und den Kühlkörper/ Kühler gekauft haben, beziehen Sie sich bitte auf die Unterlagen des Kühlers für mehr Details über die Kühlerinstitution.

Speicher

Die DIMM-Steckplätze nehmen Arbeitsspeichermodule auf.



Video-Demonstration

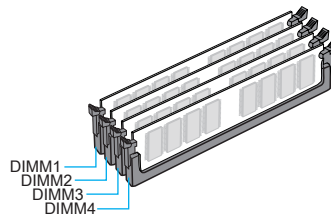
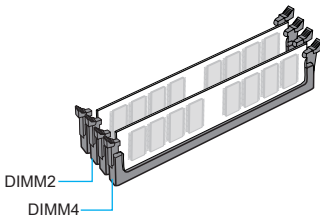
Anhand dieses Video an untenstehender Adresse erfahren Sie, wie Sie die Speichermodule installieren.

<http://youtu.be/76yLtJaKICQ>



Populationsregeln für Dual-Kanal-Speicher

Im Dual-Kanal-Modus können Arbeitsspeichermodule Daten über zwei Datenbusleitungen gleichzeitig senden und empfangen. Durch Aktivierung des Dual-Kanal-Modus wird die Leistung Ihres Systems verbessert. Bitte beachten Sie die folgenden Abbildungen zur Veranschaulichung der Installationsvorgaben im Dual-Kanal-Modus.

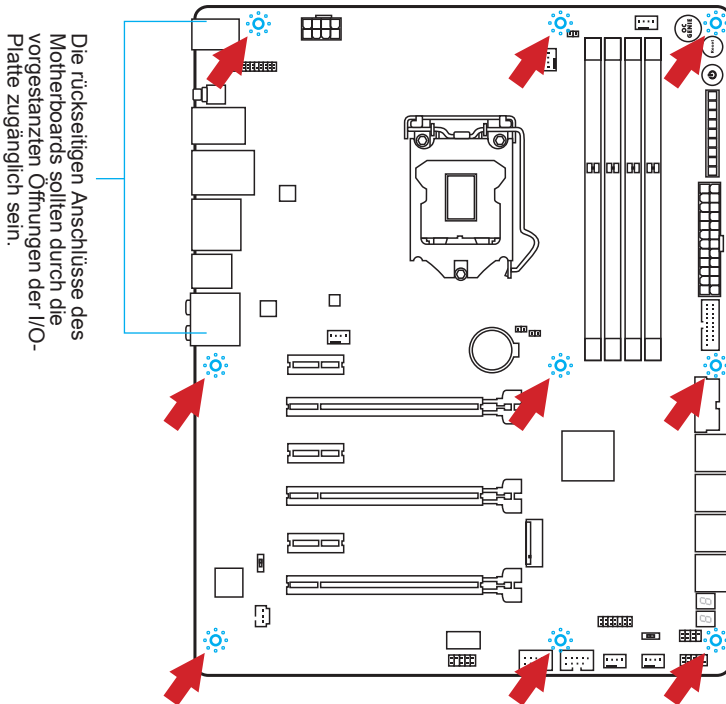


Wichtig

- *DDR3 und DDR2 können nicht untereinander getauscht werden und der Standard DDR3 ist nicht abwärtskompatibel. Installieren Sie DDR3 Speichermodule stets in DDR3 DIMM Slots.*
- *Verwenden Sie die Speichermodule des gleichen Typs und identischer Speicherdichte im Zweikanalbetrieb, um die Systemstabilität zu gewährleisten.*
- *Aufgrund der Chipsatzressourcennutzung wird nur eine Systemdichte bis 31+GB (nicht volle 32GB) erkannt, wenn jeder DIMM Slot mit einem 8GB Speichermodul besetzt wird.*

Schraubenlöcher für die Montage

Verwenden Sie die dem Motherboard beiliegende I/O-Platte und setzen Sie sie mit leichtem Druck von innen in die Aussparung des Computergehäuses ein. Zur Installation des Motherboards in Ihrem PC-Gehäuse befestigen Sie zunächst die dem Gehäuse beiliegenden Abstandhalter im Gehäuse. Legen Sie das Motherboard mit den Schraubenöffnungen über den Abstandhaltern und schrauben Sie das Motherboard mit den dem Gehäuse beiliegenden Schrauben fest. Die Positionen der Befestigungslöcher sehen Sie in der Zeichnung unten. Weitere Informationen erfahren Sie über Ihr Gehäusehandbuch.



Wichtig

- Bitte beachten Sie, dass vor der Installation des Motherboards in Ihrem PC-Gehäuse, die Schraubenmuttern auf der Rückseite des Motherboards entfernt werden müssen.
- Installieren Sie das Motherboard auf einer ebenen Fläche ohne Schmutz.
- Um Schäden am Motherboard zu verhindern, vermeiden Sie jegliche Berührung des Motherboards mit dem Gehäuse mit Ausnahme der Abstandhalter unter den Befestigungslöchern.
- Stellen Sie sicher, dass sich keine losen metallischen Teile im Gehäuseinneren befinden.

Stromversorgung



Video-Demonstration

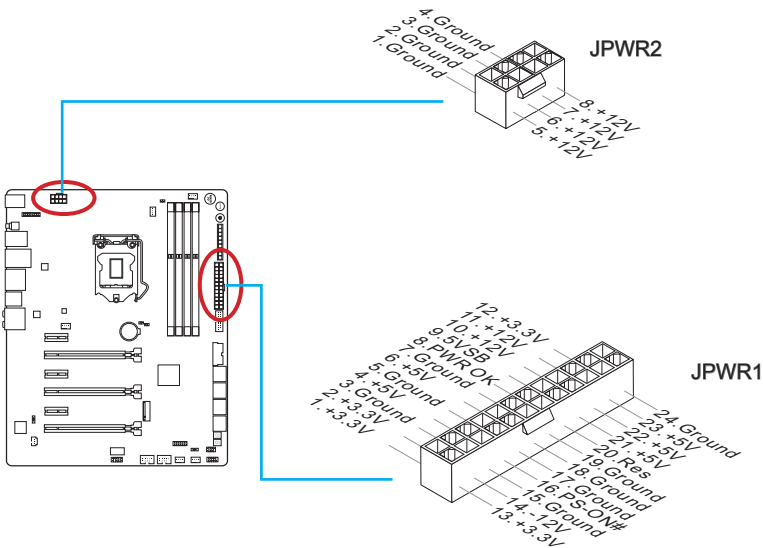
Anhand dieses Video an untenstehender Adresse erfahren Sie, wie Sie die Stromversorgungsstecker installieren.

http://youtu.be/gkDYyR_83I4



JPWR1~2: ATX Stromanschlüsse

Mit diesem Anschluss verbinden Sie den ATX Stromanschlüsse. Achten Sie bei dem Verbinden des ATX Stromanschlusses darauf, dass der Anschluss des Netzteils richtig auf den Anschluss an der Hauptplatine ausgerichtet ist. Drücken Sie dann den Anschluss des Netzteils fest nach unten, um eine richtige Verbindung zu gewährleisten.



Wichtig

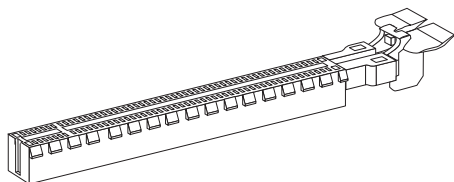
Stellen Sie sicher, dass diese Anschlüsse mit den richtigen Anschlüssen des Netzteils verbunden werden, um einen stabilen Betrieb der Hauptplatine sicherzustellen.

Erweiterungssteckplätze

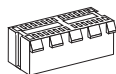
Dieses Motherboard enthält zahlreiche Schnittstellen für Erweiterungskarten, wie diskrete Grafik- oder Soundkarten.

PCI_E1~6: PCIe Erweiterungssteckplätze

Der PCIe Steckplatz unterstützt PCIe-Erweiterungskarten.



PCIe 3.0 x16-Steckplatz



PCIe 2.0 x1-Steckplatz



Wichtig

Achten Sie darauf, dass Sie den Strom abschalten und das Netzkabel aus der Steckdose herausziehen, bevor Sie eine Erweiterungskarte installieren oder entfernen. Lesen Sie bitte auch die Dokumentation der Erweiterungskarte, um notwendige zusätzliche Hardware oder Software-Änderungen zu überprüfen.

Video/ Grafikkarten

Fall im Prozessor integriert, nutzt dieses Motherboard den im Prozessor befindlichen Grafikprozessor. Zusätzliche Grafikkarten können aber über die auf dem Motherboard verfügbaren Erweiterungssteckplätze eingesetzt werden um die Systemleistung zu erhöhen.



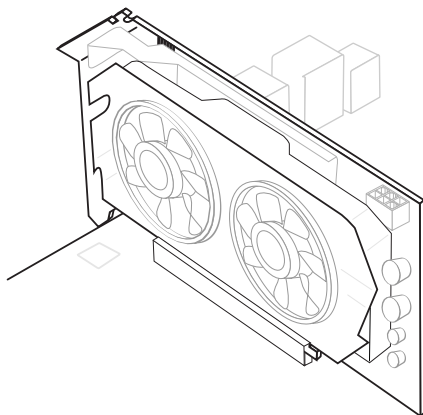
Anhand dieses Video an untenstehender Adresse erfahren Sie, wie Sie eine Grafikkarte im PCIe x16 Steckplatz mit Butterfly-Verschlässen installieren.

http://youtu.be/mG0GZpr9w_A



Installation einer Grafikkarte

1. Stellen Sie fest für welchen Steckplatz Ihre Grafikkarte geeignet ist. Suchen Sie einen entsprechenden freien Steckplatz auf Ihrem Motherboard. Entfernen Sie eine eventuelle Schutzvorrichtung für den Steckplatz im Gehäuse.
2. Positionieren Sie die Grafikkarte über den gewählten Steckplatz, mit dem Display-Anschluss in Richtung Gehäuseausgang. Für die Installation einer einzelnen Grafikkarte empfehlen wir PCI_E2.
3. Pressen Sie die Grafikkarte in den Steckplatz. je nach Steckplatz sollte die Karte in einer Halterung am Steckplatzende einrasten.
4. Befestigen Sie das vordere Ende der Grafikkarte mit einer dafür vorgesehenen Schraube am Computergehäuse.
5. Konsultieren Sie das Handbuch Ihrer Grafikkarte für weitere Angaben zur Treiberinstallation und zu den Einstellungen. Einige Grafikkarten benötigen den Anschluss einer gesonderten Stromversorgung.



Interne Anschlüsse

SATA1~8: SATA Anschluss

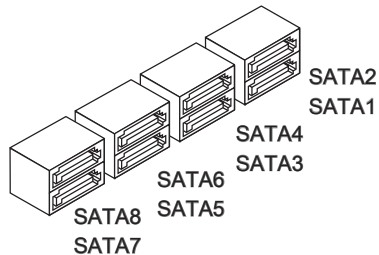
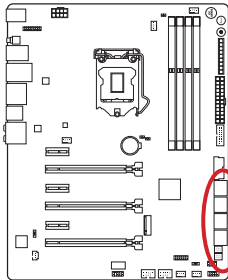
Dieser Anschluss basiert auf der Hochgeschwindigkeitsschnittstelle Serial ATA (SATA). Pro Anschluss kann ein Serial ATA Gerät angeschlossen werden. Zu Serial ATA Geräten gehören Festplatten (HDD), SSD Festplatten (SSD) und optische Laufwerke (CD-/DVD-/Blu-Ray-Laufwerke).



Video-Demonstration

Anhand dieses Video an untenstehender Adresse erfahren Sie, wie Sie eine SATA-Festplatte installieren.

<http://youtu.be/RZsMpqxythc>



SATA1~6 (6Gb/s, über Intel® Z97)

SATA7~8 (6Gb/s, über ASMedia® ASM1061)

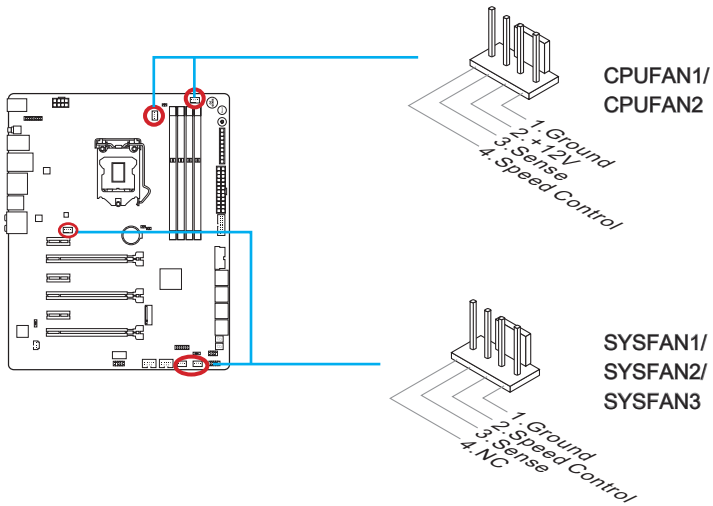


Wichtig

- Die SATA5 und SATA6 Anschlüsse werden nicht zur Verfügung stehen, wenn Sie ein Modul im M.2 Port installieren.
- Viele Serial ATA Geräte benötigen eine zusätzliche Stromversorgung über das PC-Netzteil. Dazu gehören Festplatten (SSD und HDD), und optische Laufwerke (CD-/DVD-/ Blu-Ray). Weitere Informationen bietet das entsprechende Handbuch des Laufwerks.
- Meist müssen Serial-ATA Geräte im Gehäuse verschraubt werden. Informationen dazu finden Sie im Gehäuse- oder Gerätehandbuch.
- Knicken Sie das Serial ATA Kabel nicht in einem 90° Winkel. Datenverlust könnte die Folge sein.
- SATA-Kabel haben identische Stecker an beiden Enden. Es wird empfohlen den flachen Stecker auf dem Motherboard einstecken.

CPUFAN1~2,SYSFAN1~3: Stromanschlüsse für Lüfter

Die Anschlüsse unterstützen aktive Systemlüfter mit +12V. Ist Ihr Motherboard mit einem Chipsatz zur Überwachung der Systemhardware versehen, dann brauchen Sie einen speziellen Lüfter mit Geschwindigkeitsregelung, um die Vorteile der Steuerung des CPU Lüfters zu nutzen. Vergessen Sie nicht, alle Systemlüfter anzuschließen. Einige Systemlüfter können nicht direkt an dem Motherboard angeschlossen werden und müssen stattdessen mit dem Netzteil direkt verbunden werden. Kompatible Systemlüfter können an jeder der onboard-Systemlüfteranschlüsse angeschlossen werden.



Wichtig

- Informieren Sie sich vor dem Käuferkauf über die empfohlenen CPU-Kühler des Prozessorherstellers auf dessen website.
- Die Anschlüsse unterstützen die Smart Fan Lüftersteuerung. Das Utility Command Center kann installiert werden, um die Lüftergeschwindigkeit in Abhängigkeit von der der Prozessor- und System-Temperatur zu steuern.
- Für den Fall, dass nicht genügend Lüfteranschlüsse auf dem Motherboard zur Verfügung stehen, können weitere Lüfter mittels Adapter direkt am Netzteil angeschlossen werden.
- Stellen Sie vor dem ersten Systemstart sicher, dass sich keine Kabel in den Lüftern verfangen können.

JFP1, JFP2: Systemtafelanschlüsse

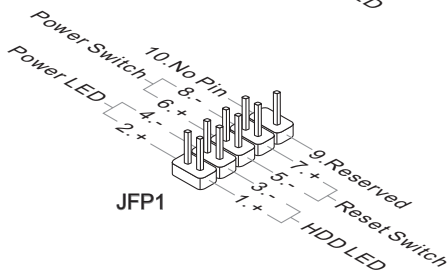
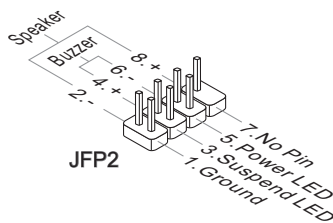
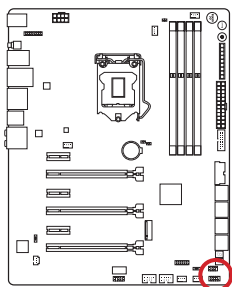
Diese Anschlüsse sind für das Frontpanel angelegt. Sie dienen zum Anschluss der Schalter und LEDs des Frontpanels. JFP1 erfüllt die Anforderungen des "Intel® Front Panel I/O Connectivity Design Guide". Bei der Installation des Frontpanel-Anschlüsse, nutzen Sie bitte die optionalen M-Connectors um die Installation zu vereinfachen. Schließen Sie alle Kabel aus dem PC-Gehäuse zunächst an die M-Connectors an und stecken Sie die M-Connectors auf das Motherboard.



Video-Demonstration

Anhand dieses Videos an untenstehender Adresse erfahren Sie, wie Sie die Frontpanel-Anschlüsse installieren.

<http://youtu.be/DPELIdVNZUI>

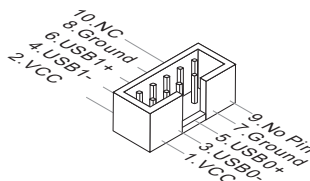
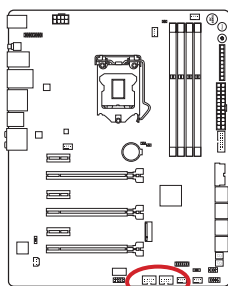


Wichtig

- An den Anschlüssen aus dem Gehäuse sind die positiven Kabel an den Pins, die mit kleinen Dreiecken markiert sind erkennbar. Bitte verwenden Sie das Diagramm oben und die Bezeichnungen auf den M-Connectors um die korrekte Positionierung und Platzierung festzustellen.
- Die meisten Anschlüsse in der Frontplatte des PC-Gehäuse soll vor allem in JFP1 gesteckt werden.

JUSB1~2: USB 2.0 Erweiterungsanschluss

Dieser Anschluss eignet sich für die Verbindung der Hochgeschwindigkeits- USB-Peripheriegeräte, wie z.B. USB Festplattenlaufwerke, Digitalkameras, MP3-Player, Drucker, Modems und ähnliches.



Der JUSB1 (**rote Markierung**) Anschluss unterstützt die neue Super-Charger-Technologie von MSI, die besonders schnelles Laden Ihres Mobiltelefones oder anderer Geräte mit dem USB-Anschluss bietet. Um dieses Feature zu aktivieren, installieren Sie bitte die MSI SuperCharger Anwendung auf Ihrem Computer. Sobald die SuperCharger Anwendung aktiviert ist, wird der JUSB1 Anschluss die Daten-Kanäle als zusätzliche Energiekanäle freisetzen, um die angeschlossenen Geräte besonders schnell aufzuladen. Bitte beachten Sie, dass, wenn die Super-Charger Anwendung aktiviert ist, die Datenübertragung und Synchronisation über den JUSB1 Anschluss nicht funktioniert. Um den JUSB1 Anschluss wie einen normalen USB-2.0-Anschluss zu nutzen, schalten Sie bitte die SuperCharger Anwendung aus. Wenn der Computer im Stand-by-oder Ruhezustand-Modus (S3 / S4 / S5) ist, wird der Super-Charger-Modus automatisch aktiviert.



Video-Demonstration

Anhand dieses Videos an untenstehender Adresse erfahren Sie, wie Sie das Smartphone mit Super-Charger laden.

<http://youtu.be/FCyvrj5NbOw>

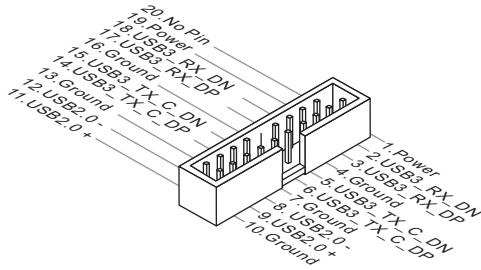
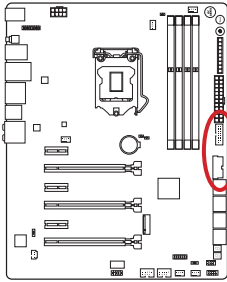


Wichtig

- Bitte beachten Sie, dass Sie die mit VCC (Stromführende Leitung) und GND (Erdleitung) bezeichneten Pins korrekt verbinden müssen, ansonsten kann es zu Schäden kommen.
- Bitte verbinden Sie nur ein Gerät einmal pro USB-Port für den stabilen Ladevorgang.
- Die Super-Charger Technologie ist nur für ausgewählte MSI Motherboard-Modelle verfügbar. Prüfen Sie bitte anhand der MSI Webseite ob Ihr Motherboard die SuperCharger Technologie unterstützt.
- Das iPad kann auch im S3-, S4- und S5-Status über den JUSB1 (**rote Markierung**) geladen werden.
- Es wird empfohlen, das zu ladende gerät im S1 Modus nicht zu entfernen während es geladen wird.

JUSB3~4: USB 3.0 Erweiterungsanschlüsse

Der USB 3.0 Anschluss ist abwärtskompatibel mit USB 2.0-Geräten. Unterstützt Datentransferraten bis zu 5 Gbit/s (SuperSpeed).

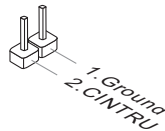
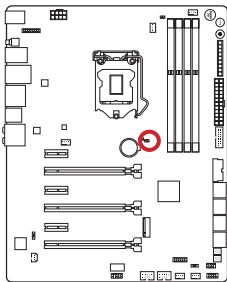


Wichtig

- Bitte beachten Sie, dass Sie die mit VCC (Stromführende Leitung) und GND (Erdleitung) bezeichneten Pins korrekt verbinden müssen, ansonsten kann es zu Schäden kommen.
- Zur Verwendung eines USB 3.0-Gerät, müssen Sie das Gerät an einen USB 3.0 Port über ein optionales USB 3.0-kompatibles Kabel anschließen.

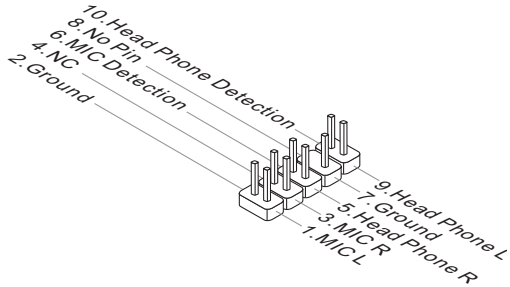
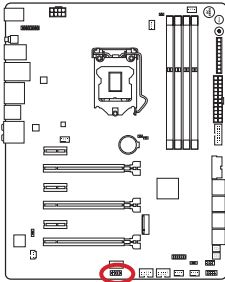
JCI1: Gehäusekontaktanschluss

Dieser Anschluss wird mit einem Kontaktschalter verbunden. Wenn das PC-Gehäuse geöffnet wird, aktiviert dies den Gehäuse-Kontaktschalter und eine Warnmeldung wird auf dem Bildschirm angezeigt. Um die Warnmeldung zu löschen, muss das BIOS aufgerufen und die Aufzeichnung gelöscht werden.



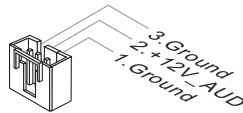
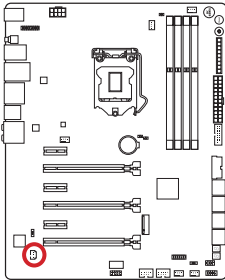
JAUD1: Audioanschluss des Frontpanels

Dieser Anschluss ermöglicht den Anschluss von Audio Ein- und Ausgängen eines Frontpanels.



AUDPWR1: Direct Audio Power Anschluss

Dieser Anschluss wird für die direkte Stromversorgung der rückseitigen Audio-Anschlüsse verwendet. Direct Audio Power sorgt für eine bessere Audio-Qualität. Bitte verbinden Sie diesen Anschluss mit dem Netzteil mit Hilfe des Audio Power Adapters.

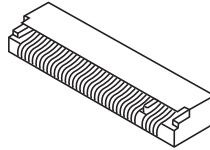
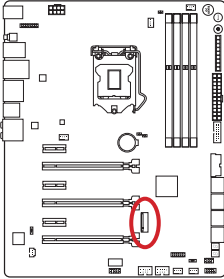


Wichtig

Nachdem Sie am Anschluss die direkte Stromversorgung angeschlossen haben, beachten Sie bitte, dass Sie "Direct Audio Power" durch das Verstellen des Audio Power Schalters aktivieren müssen (AUD_SW1).

M2_1: M.2-Port

Der M.2-Port unterstützt entweder ein M.2 SATA 6Gb/s-Modul oder ein M.2 PCIe-Modul.

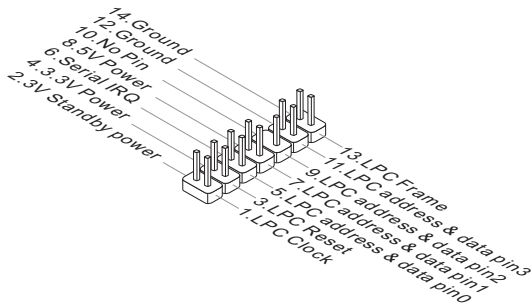
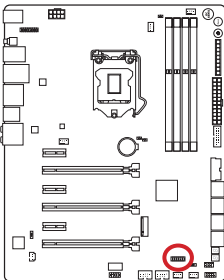


Wichtig

- Die SATA5 und SATA6 Anschlüsse werden nicht zur Verfügung stehen, wenn Sie ein Modul im M.2 Port installieren.
- Intel RST unterstützt PCIe M.2 SSD mit Legacy ROM nicht.
- Die M.2 PCIe Schnittstelle nicht unterstützt RAID 0, RAID1, RAID 5 und RAID 10.

JTPM1: TPM Anschluss

Dieser Anschluss wird für das TPM Modul (Trusted Platform Module) verwendet. Weitere Informationen über den Einsatz des optionalen TPM Modules entnehmen Sie bitte dem TPM Plattform Handbuch.

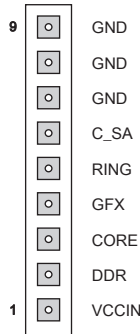
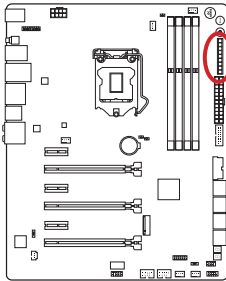


Spannungsmesspunkte

Die Spannungsmesspunkte werden verwendet, um die aktuelle Systemspannung zu messen. Ein Multimeter (nicht enthalten) wird für die Spannungsmessung benötigt.

FV1: Spannungsmess-Anschluss

Um die Spannung zu prüfen, verwenden Sie die Spannungsmesspunkte des Motherboards. Halten Sie die positive Leitung des Multimeters an den Spannungsanschluss und die negative Leitung an den Erdungspol.



Anschluss	Beschreibung
GND (Pin 7~9)	Erdung
C_SA (Pin 6)	Die CPU_SA (CPU System Agent) Spannung ist die Spannung, die Versorgung des integrierten Speicher-Kontrollers in der CPU anliegt.
RING (Pin 5)	CPU Ring ist eine Schnittstelle für den integrierten Controller in der CPU. Die CPU Ring Spannung kann die CPU Übertaktungsleistung beeinträchtigen.
GFX (Pin 4)	Die CPU_GFX Spannung ist die Spannung, die sich zur Versorgung der integrierten Grafik-Prozessors auf der CPU befindet.
CORE (Pin 3)	CPU Core0 Spannung. Die CPU-Kernspannung ist die Spannung die an den CPU-Kern geliefert wird. Höhere Übertaktungsraten können eine höhere CPU-Kernspannung für die Stabilität erfordern.
DDR (Pin 2)	Speicherspannung. Die DDR-Speicherspannung ist die Spannung, die bei den installierten DDR Speichermodulen anliegt. Niedrige DDR Timings können höhere Spannungen erfordern um einen stabilen Betrieb zu gewährleisten.
VCCIN (Pin1)	Die CPU VCCIN-Spannung ist die CPU Stromquelle, die mit Komponenten der CPU gemeinsam genutzt wird.

Tasten

Das Motherboard verfügt über zahlreiche On-Board-Tasten, um verschiedene Funktionen zu steuern. Dieser Abschnitt beschreibt, wie man die Funktionen des Motherboards durch den Gebrauch der Taste ändert.

OC1: OC Genie Taste

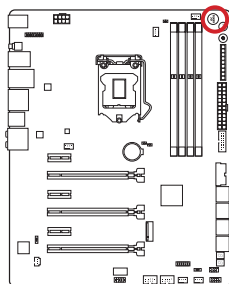
Diese Taste dient zur automatischen Übertaktung des Systems. Zum Aktivieren von OC Genie, betätigen Sie die Taste (ON), während sich das System im ausgeschalteten Zustand befindet. Beim nächsten Systemstart wird der Prozessor automatisch mit den optimalen Werten übertaktet. Um OC Genie zu deaktivieren, betätigen Sie die Taste (OFF), während sich das System im ausgeschalteten Zustand befindet. Die Konfigurationsparameter werden dann auf die Default-Werte zurückgesetzt.



Video-Demonstration

Anhand dieses Videos an untenstehender Adresse erfahren Sie, wie Sie die OC Genie-Taste verwenden.

<http://youtu.be/nlpRvWkUazg>



Ein (On)



Aus (Off)

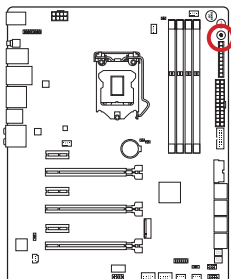


Wichtig

- Dieses Motherboard bietet zwei Möglichkeiten, um OC Genie zu aktivieren: Drücken Sie die physische OC Genie Taste auf dem Motherboard, oder klicken Sie auf den virtuellen OC Genie Taste im BIOS. Sie können festlegen, wie OC Genie mit dem "OC Genie Function Control" im BIOS aktiviert werden.
- Bitte installieren Sie DDR3 1333 oder schnelleren Hauptspeicher sowie hochwertige Kühler wenn Sie OC Genie einsetzen.
- MSI gibt keine Garantie auf den Übertaktungsbereich und auf eventuelle Schäden, die durch eine Übertaktung entstehen können.
- OC Genie kann im BIOS deaktiviert werden. Der BIOS-Bereich dieses Handbuchs gibt darüber Auskunft.
- Der Einsatz von OC Genie erfolgt auf eigene Gefahr. Übertaktungserfolge werden von MSI nicht garantiert.
- Für eine erfolgreiche OC Genie Nutzung werden MSI-Komponenten empfohlen.

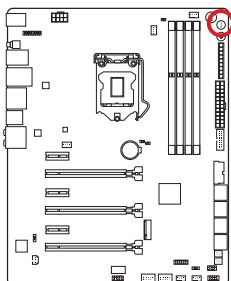
POWER1: Ein-/Ausschalter

Dieser Ein-/ Ausschalter wird verwendet, um das System ein- und auszuschalten. Drücken Sie diese Taste, um das System ein- bzw. auszuschalten.



RESET1: Reset-Taste

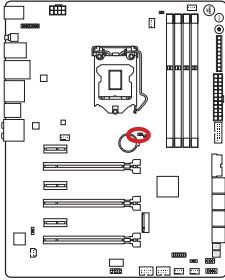
Diese Reset-Taste wird verwendet, um das System zurückzusetzen. Drücken Sie die Taste, um das System zurückzusetzen.



Steckbrücke

JBAT1: Steckbrücke zur CMOS-Löschung

Der Onboard CMOS Speicher (RAM) wird durch eine externe Spannungsversorgung durch eine Batterie auf dem Motherboard versorgt, um die Daten der Systemkonfiguration zu speichern. Er ermöglicht es dem Betriebssystem, mit jedem Einschalten automatisch hochzufahren. Wenn Sie die Systemkonfiguration löschen wollen, müssen Sie die Steckbrücke für kurze Zeit umsetzen. Halten Sie sich an die Anweisungen in der Grafik, um die Daten zu löschen.

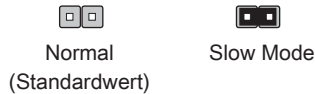
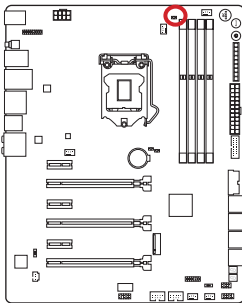


Wichtig

Wenn das System ausgeschaltet ist, können Sie die Steckbrücke stecken, um die Daten im CMOS zu löschen. Danach entfernen Sie die Steckbrücke. Versuchen Sie niemals die Daten im CMOS zu löschen, wenn das System eingeschaltet ist. Die Hauptplatine kann dadurch beschädigt werden.

SLOW_1: Steckbrücke für den Start im Slow Mode

Diese Steckbrücke wird für die LN2 Lösung zur Kühlung verwendet. Er bietet die extremen Übertaktensbedingungen, um mit einer stabilen Prozessor- Frequenz zu starten und das System vom Umkippen abzuhalten.



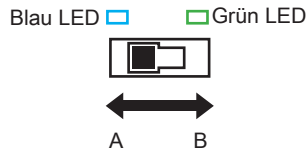
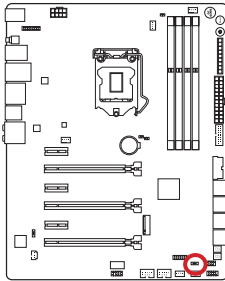
Wichtig

Anwender können bei extremer Kühlung auf eigenes Risiko übertakten. Die Übertaktungsergebnisse werden abhängig von der CPU-Variante variieren.

Schalter

BIOS_SW1: Multi-BIOS Schalter

Das Motherboard hat zwei eingebaute BIOS ROMs (bezeichnet als A und B, Standard ist BIOS ROM A). Falls ein BIOS abgestürzt ist, können Sie durch Verschieben des Schalters zum zweiten BIOS umschalten, um zu starten. Die beiden BIOS ROMs unterstützen keine automatische Wiederherstellungsfunktion, daher müssen BIOS-Updates manuell durchgeführt werden.



BIOS-Wiederherstellung mit dem AFUDOS-Befehl

Wenn ein BIOS-Update fehlgeschlagen ist und das System nicht gestartet werden kann, können Sie die folgenden Schritte ausführen, um das BIOS wiederherzustellen.

Vorbereitung:

Bereiten Sie ein bootfähiges USB-Flashlaufwerk vor.

2. Laden Sie bitte die neueste BIOS Version von der offiziellen MSI Website: www.msi.com, und dekomprimieren Sie die Datei.
3. Kopieren Sie AFUDE238.exe und die BIOS-Datei auf das bootfähige USB-Flash-Laufwerk.

BIOS-Wiederherstellungsschritte :

1. Schalten Sie den Computer aus.
2. Setzen den Multi-BIOS-Schalter auf das funktionierende BIOS-ROM um.
3. Schließen das USB-Flashlaufwerk am USB-Anschluss an.
4. Starten Sie den Computer mit dem bootfähigen USB-Flash-Laufwerk.
5. Setzen Sie den Multi-BIOS-Schalter auf das fehlerhafte BIOS ROM.
6. Führen Sie den unten stehenden Befehl aus, um das BIOS zu aktualisieren:
Zum Beispiel: AFUDE238 EXXXXIMS.XXX
7. Starten Sie den Computer nach Abschluss der der BIOS-Aktualisierung neu.

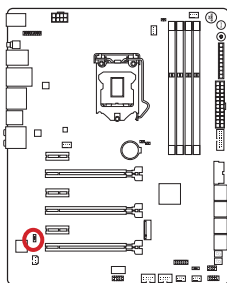


Wichtig

Bitte schalten Sie den Multi-BIOS-Schalter nicht um, während das System im Betrieb ist.

AUD_SW1: Audio Power Schalter

Dieser Schalter legt die Stromquelle für die rückseitigen Audio-Anschlüsse fest.



Bordstromversorgung Modus
(Standardwert)



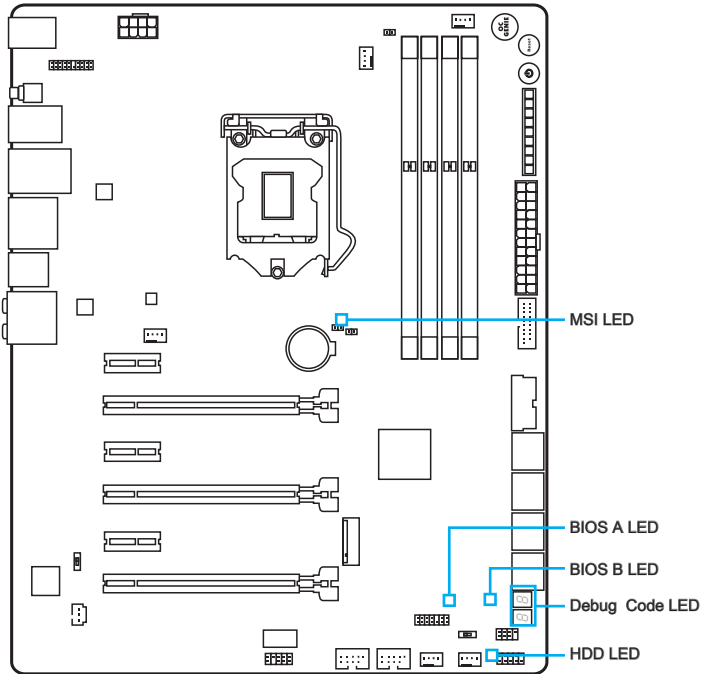
Direkte Stromversorgung Modus



Wichtig

- Vor dem Umschalten auf "Direct Power mode", stellen Sie sicher, dass der "Direct Audio Power Anschluss" (AUDPWR1) an die Spannungsversorgung angeschlossen wird.
- Verwenden Sie den Audio Power Schalter nicht während das System eingeschaltet ist. Die Hauptplatine kann dadurch beschädigt werden.

LED Statusanzeige



Die Tabelle der LED Statusanzeigen

Die folgende Tabelle beschreibt die Bedeutung der LED-Anzeigen.

LED	LED Status	Beschreibung
MSI LED	Ein	Debug
HDD LED	Blinkt	HDD-Aktivität
BIOS A LED	Blau	BIOS A ist im Betrieb
BIOS B LED	Grün	BIOS B ist im Betrieb

Debug-Code-LED-Panel

Weitere Informationen zu den Debug-LED-Meldungen entnehmen Sie bitte der nachstehenden Tabelle.

Post	Status
02,07	Start-CPU-Initialisierung
03,08	Start-Northbridge-Initialisierung
04,09	Start-Southbridge-Initialisierung
0B	Start-Cache-Initialisierung
11~14,32~36,56~5A	Frühe CPU-Initialisierung
15~18,37~3A	Frühe Northbridge-Initialisierung
19~1C,3B~3E	Frühe Southbridge-Initialisierung
1D~2F,31,3F~4E,50~55	Frühe Speicherinitialisierung
63~67,D0	Späte CPU-Initialisierung
69~6F,D1	Späte Northbridge-Initialisierung
70~77,D2	Späte Southbridge-Initialisierung
92~96,B5,D4	PCI-Bus-Initialisierung
97,98,99,B2,D5~D7	Konsolen E/A-Geräte/Konsoleninitialisierung und Laden des optionalen ROM (VGA, RAID, parallele Schnittstellen, serielle Schnittstellen etc.)
9A~A7,B4	Onboard-Geräteinitialisierung und -Erkennung (USB, SATA, SCSI etc.)
A8,A9,AB	Einrichtungsbeginn. BIOS-Einrichtung, falls erforderlich/ angefragt.
AD/AE	Boot-Bereitschaftsereignis/Boot-Legacy-Ereignis
CPU Temperatur	Vollständig bootet

Treiber und Dienstprogramme

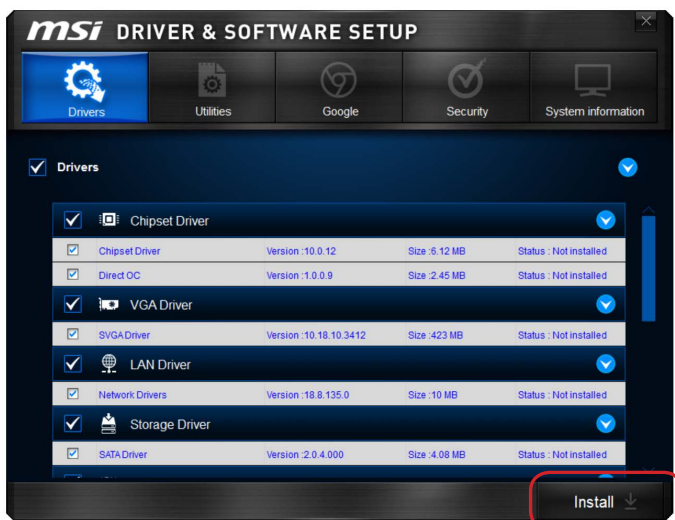
Nach der Installation des Betriebssystems müssen Sie Treiber installieren, um die Leistung des neuen Computers zu maximieren. Dem MSI Mainboard liegt eine Treiber-CD bei. Die enthaltenen Treiber ermöglichen es Ihnen, das Motherboard effizienter zu nutzen und von den besonderen Eigenschaften des MSI Motherboards zu profitieren.

Sie können Ihren Computer durch den Einsatz des beiliegenden Sicherheitsprogramms vor Viren schützen. Zusätzlich liegen dem Paket eine Vielzahl von leistungsfähigen und nützlichen Utilities bei.

Treiber/ Dienstprogramme Installer

Befolgen Sie bitte folgende Schritte, um die Treiber und Dienstprogramme auf Ihrem neuen Computer zu installieren.

1. Legen Sie die MSI-Treiber-Disk in das optische Laufwerk ein. Der Installierer erscheint automatisch, wenn "Autorun" aktiviert ist.
2. Der Installierer erscheint, in dem alle notwendigen Treiber aufgelistet werden.
3. Klicken Sie die "Install" Taste.



Klicken Sie hier

4. Die Installation der Software wird dann in Gang gesetzt. Nach der Fertigstellung wird ein Neustart durchgeführt.
5. Klicken Sie auf **OK**, um den Installation zu beenden.
6. Starten Sie den Computer neu.

Sie können auch die gleiche Methode verwenden, um die gewünschten Dienstprogramme zu installieren.

BIOS Setup

CLICK BIOS wurde von MSI entwickelt, es bietet eine intuitiv bedienbare grafische Benutzeroberfläche in der BIOS-Parameter einfach per Maus und Tastatur konfiguriert werden können.

Mit CLICK BIOS können Benutzer alle wichtigen BIOS-Einstellungen ändern, die CPU-Temperatur überwachen, die Boot-Reihenfolge festlegen und die Systeminformationen anzeigen, wie CPU-Name, DRAM Kapazität, OS-Version und BIOS-Version. Benutzer können die Einstellungen exportieren und importieren, um sie zu sichern, einzuspielen oder mit Freunden zu teilen.

Aufruf des BIOS Setups

Nach dem Einschalten beginnt der Computer den POST (Power On Self Test - Selbstüberprüfung nach Anschalten). Sobald die Meldung unten erscheint drücken Sie die Taste <Entf>(), um das BIOS aufzurufen:

Press to run BIOS setup, or <F11> to run boot menu

(<ENTF> drücken, um das BIOS Setup zu öffnen;
<F11> drücken um das Bootmenü zu öffnen)

Wenn die Nachricht verschwindet, bevor Sie reagieren und Sie möchten immer noch ins BIOS, starten Sie das System neu, indem Sie es erst AUS- und danach wieder ANSCHALTEN, oder die "RESET"-Taste am Gehäuse betätigen. Sie können das System außerdem neu starten, indem Sie gleichzeitig die Tasten <Strg>, <Alt> und <Entf> drücken (bei manchen Tastaturen <Ctrl>, <Alt> und).

MSI bietet zusätzlich zwei Methoden, um das BIOS-Setup zu gelangen. Klicken Sie auf das Auswahlfeld "GO2BIOS" des Bildschirms "MSI Fast Boot" oder drücken Sie die Taste "GO2BIOS" (optional) auf dem Motherboard, um beim nächsten Systemstart automatisch ins BIOS Menu zu wechseln.



Klicken Sie auf das Auswahlfeld "GO2BIOS" des Bildschirms "MSI Fast Boot".

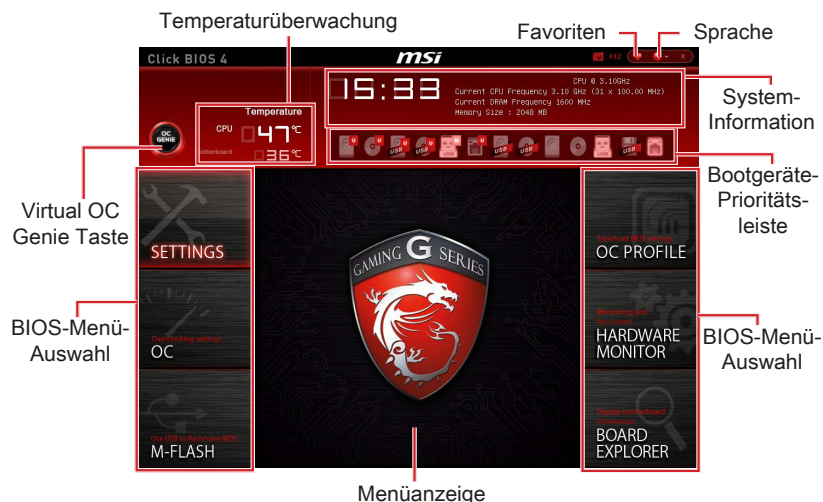


Wichtig

- Beim Einsatz des "MSI Fastboot"-Dienstprogramms zum automatischen Aufrufen des BIOS müssen Sie das Programm zunächst installieren.
- Die Menüpunkte jeder in diesem Kapitel beschriebenen BIOS Kategorie befinden sich in permanenter Weiterentwicklung um die Systemleistung zu verbessern. Deswegen können die Beschreibungen leicht von der letzten Fassung des BIOS abweichen und sollten demnach nur als Anhaltspunkte dienen.

Überblick

Nach dem Aufrufen des BIOS, sehen Sie die folgende Anzeige.






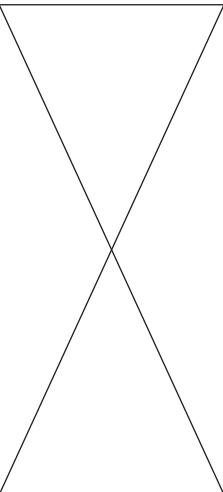
► BIOS-Menü-Auswahl

Die folgenden Optionen stehen zur Verfügung:

- **SETTINGS** - Mit diesem Menü können Sie die Parameter für Chipsatz, Boot-Geräte angeben.
- **OC** - Dieses Menü enthält die Frequenz- und Spannungsanpassungen. Die Erhöhung der Frequenz kann eine bessere Leistung erreichen. Andererseits kann eine zu hohe Frequenz und hohe Wärmeentwicklung Instabilität verursachen. Daher empfehlen wir unerfahrenen Anwendern nicht zu übertakten.
- **M-FLASH** - Dieses Menü bietet die Funktion, das BIOS mit einem USB-Flash-Laufwerk zu aktualisieren.
- **OC PROFILE** - In diesem Menü werden die verschiedenen Overclocking-Profile gesetzt.
- **HARDWARE MONITOR** - In diesem Menü werden die Geschwindigkeiten der Lüfter gesetzt und die Spannungen des Systems überwacht.
- **BOARD EXPLORER** - In diesem Menü zeigt die Information der installierten Geräte auf dem Motherboard an.

Betrieb

Sie können die BIOS-Einstellungen mit der Maus oder der Tastatur steuern. Die folgende Tabelle zeigt und beschreibt die Hotkeys und Mausektionen.

Hotkey	Maus	Beschreibung
<↑↓→←>	 Bewegen Sie den Cursor	Auswahl eines Eintrages
<Enter>	 Klicken/ doppelt-klicken Sie mit der linken Maustaste	Auswahl eines Symbols/ Feldes
<Esc>	 Klicken Sie mit der rechten Maustaste	Das Menü verlassen oder zurück zum Hauptmenü aus dem Untermenü
<+>		Hochzählen oder ändern eines Wertes
<->		Herunterzählen oder ändern eines Wertes
<F1>		Allgemeine Hilfe
<F2>		Favoriten-Assistent
<F3>		Öffnet das Favoriten-Menü
<F4>		CPU-Spezifikationen
<F5>		Aufruf des Memory-Z Fensters mit Details zum Speicher
<F6>		Laden der ursprünglichen Setup-Standardwerte
<F8>		OC-Profil wird vom USB-Stick geladen
<F9>		OC-Profil wird auf einem USB-Stick gespeichert
<F10>		Speichern oder Zurücksetzen der Änderungen
<F12>		Speichern des Bildschirmfotos auf einen FAT/ FAT32 USB-Laufwerk

OC-Menü

In diesem Menü können Benutzer das BIOS anpassen und übertakten. Bitte führen Sie nur Änderungen durch, wenn Sie sich über das Ergebnis im Klaren sind. Sie sollten Erfahrung beim Übertakten haben, da Sie sonst das Motherboard oder Komponenten des Systems beschädigen können.



Wichtig

- Die Übertaktung ist nur für fortgeschrittene Benutzer zu empfehlen.
- Die erfolgreiche Übertaktung ist nicht gewährleistet. Die Anwendung von Übertaktungsmaßnahmen kann zu Verlust der Garantie oder zur Beschädigung der Hardware führen.
- Falls Sie sich mit der Übertaktung nicht auskennen, empfehlen wir für einfaches Übertakten die OC-Genie Funktion.

▶ Simple/Advanced Mode [Simple]

Aktivieren oder deaktivieren Sie die erweiterten Übertaktungseinstellungen in BIOS.

[Simple] Es bietet normale Übertaktungseinstellungen im BIOS-Setup.

[Advanced] Es bietet die erweiterten Übertaktungseinstellungen für den erfahrenen Benutzer, welche die Einstellungen im BIOS-Setup konfigurieren wollen.

Hinweis: Wir verwenden * als Symbol für die Übertaktungseinstellungen des Erweiterten Modus.

▶ CPU Ratio [Auto]

Legen Sie den CPU-Multiplikator fest, um die CPU-Taktfrequenzen zu bestimmen. Diese Option kann nur geändert werden, wenn der Prozessor diese Funktion unterstützt.

▶ Adjusted CPU Frequency

Es zeigt die eingestellte Frequenz der CPU an. Es handelt sich um eine Anzeige – Änderungen sind nicht möglich.

▶ EIST [Enabled]*

Aktivieren oder deaktivieren Sie die Enhanced Intel® SpeedStep Technologie. Diese Option steht zur Verfügung, wenn "CPU Ratio" auf [Auto] eingestellt.

[Enabled] Aktiviert EIST, um die CPU-Spannung und Taktfrequenz dynamisch anzupassen. Es kann zu verringern durchschnittliche Stromverbrauch und die durchschnittliche Wärmeproduktion.

[Disabled] Deaktiviert EIST.

► OC Genie Function Control [By Onboard Button]

Aktivieren Sie die OC Genie Funktion durch die virtuelle Taste im BIOS oder die physische Taste auf dem Motherboard. Das Aktivieren der OC Genie-Funktion kann das System mit dem von MSI optimierten Übertaktungsprofil automatisch übertakten.

[By BIOS Options] Aktivieren Sie die OC Genie Funktion durch einen Klick auf die virtuelle Taste in der linken oberen Ecke des BIOS-Setup-Bildschirm.

[By Onboard Button] Aktivieren Sie die OC Genie Funktion durch einen Klick auf die physischen OC Genie Taste auf dem Motherboard.



Wichtig

- *Es wird empfohlen, keine Änderung im OC-Menü zu machen und die Werkseinstellungen nach dem Aktivieren der OC Genie-Funktion nicht zu laden.*
- *Im OC Genie Modus sind das BIOS-Update oder ein Clearing-CMOS unzulässig. Diese können zum Versagen der OC Genie Funktion oder zu anderen Effekten führen.*

► Ring Ratio [Auto]

Setzen Sie den Ring Ratio. Der erlaubte Wertebereich ist abhängig von der installierten CPU.

► Adjusted Ring Frequency

Zeigt die angepasste Ring Frequenz. Nur Anzeige – keine Änderung möglich.

► GT Ratio [Auto]

Setzen Sie den Multiplikator der integrierten Grafik. Der erlaubte Wertebereich ist abhängig von der installierten CPU.

► Adjusted GT Frequency

Zeigt die angepasste Frequenz der integrierten Grafik. Nur Anzeige – keine Änderung möglich.

► CPU Base Clock (MHz) [Default]

Hier können Sie den CPU Grundtakt anpassen. Sie können die CPU übertakten, indem Sie diesen Wert verändern. Bitte beachten Sie, dass die Übertaktung (und das Ergebnis) und die Stabilität nicht gewährleistet sind. Diese Option wird angezeigt, wenn der installierte Prozessor diese Funktion unterstützt.

► DRAM Frequency [Auto]

Setzen Sie die DRAM Frequenz. Bitte beachten Sie, dass ein zuverlässiges Übertaktungsverhalten nicht garantiert werden kann.

► Adjusted DRAM Frequency

Zeigt die Speicherfrequenz an. Nur Anzeige – keine Änderung möglich.

► Extreme Memory Profile (X.M.P) [Disabled]

Extreme Memory Profiles (XMP) sind von Intel eingeführte Zertifizierungen für DDR3-Speichermodule aus dem PC-Bereich und können Sie kompatiblen DDR3-Speicher übertakten. Diese Option steht zur Verfügung, wenn die installierten Speichermodule die XMP Technik unterstützen.

[Disabled] Deaktiviert diese Funktion.

[Profile 1] Sie können ihre Plattform übertakten, indem sie das Profile1 auswählen

[Profile 2] Sie können ihre Plattform übertakten, indem sie das Profile2 auswählen.

► Memory Try It ! [Disabled]

Die Option "Memory Try It!" dient der Verbesserung der Speicherkompatibilität oder auch der Speicherleistung durch die Auswahl der optimierten Speicher-Voreinstellungen.

► DRAM Timing Mode [Auto]

Wählt den Speicher-Timing-Modus aus.

- [Auto] Das DRAM-Timing wird basierend auf SPD (Serial Presence Detect) der installierten Speichermodule bestimmt.
- [Link] Ermöglicht die manuelle Konfigurieren des DRAM-Timing für alle Speicherkanäle.
- [UnLink] Ermöglicht die manuelle Konfigurieren des DRAM-Timing für die einzelnen Speicherkanäle.

► Advanced DRAM Configuration

Drücken Sie die Eingabetaste <Enter>, um das Untermenü aufzurufen. Dieses Untermenü wird nach der Einstellung [Link] oder [Unlink] in "DRAM Timing Mode" aktiviert werden. Der Anwender kann die Speicher-Timing für jeden Kanal des Speichers einstellen. Das System könnte nach dem Ändern Speicher-Timings instabil werden oder nicht mehr booten. Wenn Instabilität auftritt, löschen Sie bitte die CMOS-Daten und stellen Sie die Standardeinstellungen wieder her. (Lesen Sie bitte den Abschnitt "Clear CMOS Jumper/ Taste", um die CMOS-Daten zu löschen, und die Standardeinstellungen auf das BIOS zu laden.)

► DRAM Training Configuration*

Drücken Sie die Eingabetaste <Enter>, um das Untermenü aufzurufen. Aktiviert oder deaktiviert die verschiedenen Methoden des DRAM-Trainings. Das System könnte nach Änderungen dieser Elemente in diesem Untermenü instabil werden oder nicht mehr booten. Wenn Instabilität auftritt, löschen Sie bitte die CMOS-Daten und stellen Sie die Standardeinstellungen wieder her. (Lesen Sie bitte den Abschnitt "Clear CMOS Jumper/ Taste", um die CMOS-Daten zu löschen, und die Standardeinstellungen auf das BIOS zu laden.)

► Memory Fast Boot [Auto]

Aktivieren oder deaktivieren Sie die die Initiierung und Prüfung des Speichers für jeden.

- [Auto] Diese Einstellungen werden vom BIOS automatisch konfiguriert.
- [Enabled] Der Vorgang der Initiierung und Prüfung des Hauptspeichers wird aus dem Archiv der ersten Initiierung imitiert um den Systemstart zu beschleunigen.
- [Disabled] Der Speicher wird bei jedem Boot-Vorgang vollständig neu initiiert und geprüft.

► DigitALL Power

Drücken Sie die Eingabetaste <Enter>, um das Untermenü aufzurufen. Steuert die digitale CPU PWM.

► VR 12VIN OCP Expander [Auto]

Erweitert die Begrenzung des VR-Überstromschutz mit 12V Eingangsspannung. Höherer ausweitenden Wert kann auf wenigen Schutz hindeuten. Bitte passen Sie deshalb den Strom sorgfältig an, um Beschädigungen des CPU/ VR MOS zu vermeiden. Wenn die Einstellung auf [Auto] gesetzt ist, wird das BIOS diese Einstellungen automatisch konfigurieren.

► CPU Phase Control [Auto]

Steuern Sie PWM Phase proportional zur CPU-Belastung. Wenn die Einstellung auf [Auto] gesetzt ist, wird das BIOS die CPU PWM-Phase automatisch optimieren.

- [Auto] Diese Einstellungen werden vom BIOS automatisch konfiguriert.
- [Normal] Legt den normalen CPU Stromphasen Modus fest. Es wäre eine stabile Systemleistung und wirksame Stromverbrauch-Fähigkeit bereitstellen.
- [Optimized] Legt den optimalen CPU Stromphasen Modus fest. Es wäre eine optimale Stromverbrauch-Fähigkeit für das System bereitstellen.
- [Disabled] Deaktiviert die PWM-Phase Switching Funktion.

► CPU Vdroop Offset Control [Auto]

Legen Sie einen Prozentsatz der Offset-Spannung für die CPU VDroop fest. Wenn die Einstellung auf [Auto] gesetzt ist, wird das BIOS diese Einstellung automatisch konfigurieren.

► CPU Over Voltage Protection [Auto]

Legen Sie die Spannungsgrenze für den CPU-Überspannungsschutz fest. Wenn die Einstellung auf [Auto] gesetzt ist, wird das BIOS diese Einstellungen automatisch konfigurieren. Höhere Spannung bietet weniger Sicherheit und kann das System beschädigen.

► CPU Under Voltage Protection [Auto]

Legen Sie die Spannungsgrenze für den CPU-Unterspannungsschutz fest. Wenn die Einstellung auf [Auto] gesetzt ist, wird das BIOS diese Einstellungen automatisch konfigurieren. Höhere Spannung bietet weniger Schutz und kann das System beschädigen.

► CPU Over Current Protection [Auto]

Legen Sie den aktuellen Grenzwert für den CPU-Überstromschutz fest. Wenn die Einstellung auf [Auto] gesetzt ist, wird das BIOS diese Einstellungen automatisch konfigurieren. Höhere Spannung bietet weniger Sicherheit und kann das System beschädigen.

► CPU Switching Frequency [Auto]

Stellen Sie die PWM Arbeitsgeschwindigkeit ein, um die CPU Core-Spannung und den Ripple Bereich zu stabilisieren. Die Erhöhung der PWM Arbeitsgeschwindigkeit verursachen höhere Temperatur der MOSFET. So stellen Sie bitte sicher, dass eine Kühllösung für MOSFET gut vorbereitet, bevor Sie den Wert erhöhen. Wenn die Einstellung auf [Auto] gesetzt ist, wird das BIOS diese Einstellungen automatisch konfigurieren.

► CPU VRM Over Temperature Protection [Enabled]

Aktivieren oder deaktivieren Sie den CPU VRM Übertemperaturschutz.

- [Enabled] Setzen Sie für den Übertemperaturschutz die Temperaturgrenze auf CPU VRM. Die CPU-Frequenz kann gedrosselt werden, wenn CPU VRM über die Temperaturgrenze erhöht.
- [Disabled] Deaktiviert diese Funktion.

► DRAM Phase Control [Auto]

Steuern Sie PWM Phase proportional zur CPU-Belastung. Wenn die Einstellung auf [Auto] gesetzt ist, wird das BIOS die CPU PWM-Phase automatisch optimieren.

- [Auto] Diese Einstellungen werden vom BIOS automatisch konfiguriert.
- [Disabled] Deaktiviert die PWM-Phase Switching Funktion.

► DRAM Switching Frequency [Auto]

Stellen Sie die PWM Arbeitsgeschwindigkeit ein, um die DRAM-Spannung und den Ripple Bereich zu stabilisieren. Wenn die Einstellung auf [Auto] gesetzt ist, wird das BIOS diese Einstellungen automatisch konfigurieren.

► SVID Communication [Auto]*

Aktivieren oder deaktivieren Sie die SVID (Serial Voltage Identification)-Unterstützung.

[Auto] Diese Einstellungen werden vom BIOS automatisch konfiguriert.

[Enabled] PWM-Phase wird dynamisch je nach CPU SVID (Serial Voltage Identification) geändert.

[Disabled] Deaktiviert die SVID (Serial Voltage Identification)-Unterstützung.

► VCCIN Voltage [Auto]

Legen Sie die CPU Eingangsspannung fest. Die CPU Eingangsspannung ist die CPU Stromquelle, die durch Komponenten der CPU gemeinsam genutzt wird.

► CPU Core/Ring/GT Voltage Mode [Auto]*

Wählen Sie die Betriebsmodi für die CPU Core/ Ring/ GT-Spannungen aus.

[Auto] Diese Einstellungen werden vom BIOS automatisch konfiguriert.

[Adaptive Mode] Legt die adaptiven Spannungen zur Optimierung der System-Performance automatisch an.

[Override Mode] Hier können Sie die Spannungen manuell einstellen.

[Offset Mode] Hier können Sie die Offset-Spannung einstellen und den Modus der Offset-Spannung auswählen.

[Adaptive + Offset] Legt die adaptiven Spannungen automatisch an und passt die Offset-Spannung an.

[Override + Offset] Hier können Sie die Spannung und die Offset-Spannung manuell einstellen.

► CPU Core Voltage/ CPU Ring Voltage/ CPU GT Voltage [Auto]

Einstellung dieser CPU Core/ Ring/ GT-Spannungen. Wenn die Einstellung auf [Auto] gesetzt ist, wird das BIOS die Spannungen automatisch eingestellt oder Sie können es manuell einstellen. Diese Option wird angezeigt, wenn "CPU Core/Ring/GT Voltage Mode" auf [Auto]/ [Adaptive Mode]/ [Override Mode] steht.

► CPU Core/ Ring/ GT Voltage Offset Mode [Auto]*

Wählen Sie die CPU Core/ Ring/ GT-Spannungs-Offset-Modi aus. Diese Option wird angezeigt, wenn "CPU Core/Ring/GT Voltage Mode" auf [Offset Mode]/ [Adaptive + Offset]/ [Override + Offset] steht.

[Auto] Diese Einstellungen werden vom BIOS automatisch konfiguriert.

[+] Hier können Sie die positive Offset-Spannung einstellen.

[-] Hier können Sie die negative Offset-Spannung einstellen.

► CPU Core/ Ring/ GT Voltage Offset [Auto]

Einstellung dieser CPU Core/ Ring/ GT-Spannungen. Wenn die Einstellung auf [Auto] gesetzt ist, wird das BIOS die Spannungen automatisch eingestellt oder Sie können es manuell einstellen. Diese Option wird angezeigt, wenn "CPU Core/Ring/GT Voltage Mode" auf [Offset Mode]/ [Adaptive + Offset]/ [Override + Offset] steht.

► CPU SA/IOA/IOD Voltage Mode [Manual Mode]*

Wählen Sie die Betriebsmodi für diese CPU SA/ IOA (IO Analog)/ IOD (IO Digital)-Spannungen aus.

[Manual] Hier können Sie diese Spannungen manuell einstellen.

[Offset] Hier können Sie diese Offset-Spannung einstellen und den Modus der Offset-Spannung auswählen.

► CPU SA/ IO Analog/ IO Digital Voltage Offset Mode [Auto]*

Wählen Sie die CPU SA/ IO Analog/ IO Digital-Offset-Modi aus. Diese Option wird angezeigt, wenn "CPU SA/IOA/IOD Voltage Mode" auf [Offset Mode] steht.

[Auto] Diese Einstellungen werden vom BIOS automatisch konfiguriert.

[+] Hier können Sie die Spannung durch positiven Wertmodus ausgleichen.

[-] Hier können Sie die Spannung durch negativen Wertmodus ausgleichen.

► CPU SA/ IO Analog/ IO Digital Voltage Offset [Auto]*

Stellen Sie die Offset-Werte für diese CPU SA/ IO Analog/ IO Digital-Spannungen ein. Wenn die Einstellung auf [Auto] gesetzt ist, wird das BIOS die Spannungen automatisch eingestellt oder Sie können es manuell einstellen. Diese Option wird angezeigt, wenn "CPU SA/IOA/IOD Voltage Mode" auf [Offset Mode] steht.

► CPU SA Voltage/ CPU IO Analog Voltage/ CPU IO Digital Voltage [Auto]

Stellen Sie die CPU SA/ IOA (IO Analog)/ IOD (IO Digital)-Spannungen ein. Wenn die Einstellung auf [Auto] gesetzt ist, wird das BIOS die Spannungen automatisch eingestellt oder Sie können es manuell einstellen. Diese Option wird angezeigt, wenn "CPU SA/IO Analog/IO Digital Voltage Mode" auf [Manual Mode] steht.

► XXX Voltage [Auto] (optional)

Legen Sie die Speicher/ PCH-Spannung fest. Wenn die Einstellung auf [Auto] gesetzt ist, wird das BIOS die Spannungen automatisch eingestellt oder Sie können es manuell einstellen.

► CPU Memory Changed Detect [Enabled]*

Aktivierung oder Deaktivierung der Systemwarnmeldung beim Booten, wenn die CPU oder Hauptspeicher ersetzt wurde.

[Enabled] Das System zeigt eine Warnmeldung beim Systemstart und lädt die Default-Einstellungen für neue Geräte.

[Disabled] Deaktivierung der Funktion und Beibehaltung der aktuellen BIOS-Einstellungen.

► CPU Specifications

Drücken Sie die Eingabetaste <Enter>, um das Untermenü aufzurufen. Das Untermenü zeigt die Informationen installierte CPU an. Zu diesen Informationen gelangen Sie, indem Sie die Taste [F4] drücken. Nur Anzeige.

► CPU Technology Support

Drücken Sie die Eingabetaste <Enter>, um das Untermenü aufzurufen. Das Untermenü zeigt die wichtigsten Eigenschaften der installierten CPU an.

► MEMORY-Z

Drücken Sie die Eingabetaste <Enter>, um das Untermenü aufzurufen. Dieses Untermenü zeigt alle Einstellungen und Timings des installierten Speichers. Zu diesen Informationen gelangen Sie auch, indem Sie die Taste [F5] drücken.

► DIMMx Memory SPD

Drücken Sie die Eingabetaste <Enter>, um das Untermenü aufzurufen. Das Untermenü zeigt die Technologien des verwendeten Speichers an. Nur Anzeige.

► CPU Features

Drücken Sie die Eingabetaste <Enter>, um das Untermenü aufzurufen.

► Hyper-Threading Technology [Enabled]

Der Prozessor verwendet die Technologie des Hyper-Threadings, um die Transaktionsraten zu erhöhen und die Antwortzeiten des Benutzers zu verringern. Die Intel Hyper-Threading Technologie behandelt die Prozessorkerne innerhalb des Prozessors als Multi logische Prozessoren, die Anweisungen simultan durchführen können. Dadurch tritt eine wesentliche Verbesserung der Systemleistung ein. Diese Option wird angezeigt, wenn die installierte CPU diese Einstellungen unterstützt.

[Enable] Aktiviert die Intel Hyper-Threading Technologie.

[Disabled] Deaktiviert die Option, wenn das System die HT-Funktion nicht unterstützt.

► Active Processor Cores [All]

Hier können Sie die Zahl der aktiven Prozessorkerne auswählen.

► Limit CPUID Maximum [Disabled]

Aktiviert oder deaktiviert den erweiterten CPUID-Wert.

[Enabled] Das BIOS begrenzt den maximalen CPUID Eingabewert, um Bootprobleme mit älteren Betriebssystemen zu umgehen, die den Prozessor mit erweitertem CPUID-Wert nicht unterstützen.

[Disabled] Verwenden Sie den maximalen CPUID Eingabewert.

► Execute Disable Bit [Enabled]

Intel's Execute Disable Bit kann an den Rechner gerichtete "Buffer Overflow" Angriffe verhindern, bei denen Computer-Würmer versuchen, das System durch Ausführung von Codes zu beschädigen. Es wird empfohlen, diese Funktion zu aktivieren.

[Enabled] Aktiviert den NO-Execution Schutz, um bösartigen Angriffe und Würmern abzuwehren.

[Disabled] Deaktiviert diese Funktion.

► Intel Virtualization Tech [Enabled]

Aktiviert oder deaktiviert die Intel Virtualization Technologie.

[Enabled] Aktiviert die Intel Virtualization-Technologie, die es mehreren Betriebssystemen ermöglicht in voneinander unabhängigen Partitionen zu arbeiten. Das System kann als mehrere Systeme virtuell einsetzen.

[Disabled] Deaktiviert diese Funktion.

► Intel VT-D Tech [Enabled]

Aktiviert oder deaktiviert die Intel VT-D (Intel Virtualization for Direct I/O) Technologie.

► Hardware Prefetcher [Enabled]

Aktivieren oder deaktivieren Sie das Hardware Prefetcher (MLC Streamer prefetcher).

[Enabled] Der CPU Hardware Prefetcher kann frühzeitig Daten und Anweisungen aus dem Speicher in den L2-Cache laden um die Cache-Latency Zeiten zu reduzieren.

[Disabled] Deaktiviert den Hardware Prefetcher.

► Adjacent Cache Line Prefetch [Enabled]

Aktiviert oder deaktiviert den CPU Hardware Prefetcher (MLC Spatial prefetcher).

[Enabled] Ermöglicht Adjacent Cache Line Prefetch zur Verringerung der Cache Latenzzeit und zur Leistungssteigerung von Applikationen.

[Disabled] Aktiviert nur die angeforderten Cache-Zeilen.

► CPU AES Instructions [Enabled]

Aktiviert oder deaktiviert die CPU AES (Advanced Encryption Standard-New Instructions) Unterstützung. Diese Option wird angezeigt, wenn die CPU diese Funktion unterstützt.

[Enabled] Aktiviert die Intel AES Unterstützung.

[Disabled] Deaktiviert die Intel AES Unterstützung.

► Intel Adaptive Thermal Monitor [Enabled]

Aktiviert oder deaktiviert die Intel Adaptive Thermal-Monitor-Funktion, um die CPU vor Überhitzung zu schützen.

[Enabled] Drosselt die CPU Kerntakt, wenn die CPU-Temperatur über die adaptive Temperatur steigt.

[Disabled] Deaktiviert diese Funktion.

► Intel C-State [Auto]

C-State ist eine durch ACPI definierte Prozessor-Power-Management-Technologie.

[Auto] Diese Einstellungen werden vom BIOS automatisch konfiguriert.

[Enabled] Ermöglicht die Erkennung, wann sich das System im Leerlauf befindet und senkt den CPU-Stromverbrauch entsprechend.

[Disabled] Deaktiviert diese Funktion.

► C1E Support [Disabled]

Aktiviert oder deaktiviert die C1E-Funktion für Stromersparnis im Leerlauf. Diese Option wird angezeigt, wenn "Intel C-State" aktiviert ist.

[Enabled] Ermöglicht die C1E Funktion, um die CPU-Frequenz und Spannung zur Stromersparnis im Leerlauf zu reduzieren.

[Disabled] Deaktiviert diese Funktion.

► Package C State limit [Auto]

Hier können Sie einen CPU C-State-Modus für Stromsparen auswählen, wenn das System im Leerlauf ist. Diese Option wird angezeigt, wenn "Intel C-State" aktiviert ist.

[Auto] Diese Einstellungen werden vom BIOS automatisch konfiguriert.

[C0~C7s] Die Energiesparstufe ist von hoch zu niedrig ist C7s, C7, C6, C3, C2, dann C0.

► Lake Tiny Feature [Disabled]

Aktivieren oder deaktivieren Sie die Intel See Tiny-Technologie mit IRST für SSD. Diese Option wird angezeigt, wenn eine installierte CPU diese Funktion unterstützt und "Intel C-State" aktiviert ist.

[Enabled] Verbessert die der dynamischen IO-Last angepasste Leistung für die Beschleunigung der SSD Geschwindigkeit.

[Disabled] Deaktiviert diese Funktion.

► **EIST [Enabled]**

Aktivieren oder deaktivieren Sie die Enhanced Intel® SpeedStep Technologie. Diese Option wird angezeigt, wenn "Simple/ Advanced Mode" auf [Simple] eingestellt.

[Enabled] Aktiviert EIST, um die CPU-Spannung und Taktfrequenz dynamisch anzupassen. Es kann zu verringern durchschnittliche Stromverbrauch und die durchschnittliche Wärmeproduktion.

[Disabled] Deaktiviert EIST.

► **Intel Turbo Boost [Enabled]**

Aktivieren oder deaktivieren Sie Intel® Turbo Boost. Diese Option ist für Simple Mode und wird angezeigt, wenn die installierte CPU diese Einstellungen unterstützt.

[Enabled] Aktivieren Sie diese Funktion, um die CPU-Leistung automatisch zu erhöhen, wenn das System mehr Leistung benötigt.

[Disabled] Deaktivieren Sie diese Funktion.

► **Long Duration Power Limit (W) [Auto]**

Hier stellen Sie die TDP Leistungsgrenze für die CPU in Turbo Boost Modus ein.

► **Long Duration Maintained (s) [Auto]**

Hier stellen Sie den Zeitraum (ms) für die TDP Leistungsgrenze (W) ein.

► **Short Duration Power Limit (W) [Auto]**

Hier stellen Sie die TDP Leistungsgrenze für CPU in Turbo Boost Modus ein.

► **CPU Current limit (A) [Auto]**

Hier legen Sie die maximale Stromgrenze der CPU im Turbo Boost Modus fest. Wenn der Strom über den angegebenen Grenzwert steigt, verringert die CPU automatisch Core-Frequenz.

► **Internal VR OVP OCP Protection [Auto]**

Aktiviert oder deaktiviert Sie den Überspannungsschutz und Überstromschutz für den CPU internen Spannungsregulator (VR/ Voltage Regulator).

[Auto] Diese Einstellungen werden vom BIOS automatisch konfiguriert.

[Enabled] Legt die Spannungsbegrenzung der CPU internen VR für Überspannungsschutz und Überstromschutz.

[Disabled] Deaktivieren Sie diese Funktion zum Übertakten.

► **Internal VR Efficiency Management [Auto]**

Aktiviert oder deaktiviert das internen CPU-VR Effizienzmanagement.

[Auto] Diese Einstellungen werden vom BIOS automatisch konfiguriert.

[Enabled] Aktivierung des VR Effizienzmanagements für Energieersparnis.

[Disabled] Deaktivierung dieser Funktion.

► **Internal VR Switching Frequency [Auto]**

Setzt einen Offset-Wert (%) für die Internal VR Switching Frequenz. Wenn die Einstellung auf [Auto] gesetzt ist, wird das BIOS diese Einstellungen automatisch konfigurieren. Diese Option erscheint nur, wenn eine CPU installiert ist, die diese Funktion unterstützt.

► **DMI Gen 2 [Enabled]**

Aktiviert oder deaktiviert DMI (Direct Media Interface) Generation 2.

► **DMI De-emphasis Control [-6dB]**

Legt den De-Emphasis-Wert fest, um die DMI Grenzwerte zu verbessern. Generell arbeitet die Standardeinstellung am besten.

Français

Merci d'avoir choisi une carte mère ATX de la série Z97A GAMING 9 ACK (MS-7926 v1.X). La série Z97A GAMING 9 ACK est basée sur le chipset Intel® Z97 pour une efficacité optimale. Conçue pour fonctionner avec les processeurs Intel® LGA1150, les cartes mère de la série Z97A GAMING 9 ACK délivrent de hautes performances et offrent une solution adaptée tant aux professionnels qu'aux particuliers.

Spécifications

Processeurs	<ul style="list-style-type: none"> ■ Support 4ème et 5ème Génération Intel® Core™ Processeurs, et Intel® Pentium® et Celeron® Processeurs pour Socket LGA1150
Chipset	<ul style="list-style-type: none"> ■ Chipset Intel® Z97 Express
Mémoire supportée	<ul style="list-style-type: none"> ■ 4x emplacements de mémoire DDR3 supportent jusqu'à 32GB ■ Support DDR3 3200(OC)/ 3100(OC)/ 3000(OC)/ 2800(OC)/ 2666(OC)/ 2600(OC)/ 2400(OC)/ 2200(OC)/ 2133(OC)/ 2000(OC)/ 1866(OC)/ 1600/ 1333/ 1066 MHz ■ Architecture mémoire double canal ■ Support mémoire non-ECC, mémoire un-buffered ■ Support Intel® Extreme Memory Profile (XMP)
Emplacement d'extension	<ul style="list-style-type: none"> ■ 3x emplacements PCIe 3.0 x16 (support les modes x16, x8/x8, x8/x4/x4) ■ 3x emplacements PCIe 2.0 x1
Graphiques intégrées	<ul style="list-style-type: none"> ■ 1x port HDMI , supportant une résolution maximum de 4096x2160@24 Hz/ 2560x1600@60 Hz ■ 1x port DisplayPort, supportant une résolution maximum de 4096x2304@24Hz/ 2560x1600@60Hz/ 3840x2160@60Hz/1920x1200@60Hz
Multi-GPU Support	<ul style="list-style-type: none"> ■ Support 3-Way AMD® CrossFire™ Technology* ■ Support 2-Way NVIDIA® SLI™ Technology <p>* Support Windows 7 et Windows 8/ 8.1.</p>
Stockage	<ul style="list-style-type: none"> ■ Chipset Intel® Z97 Express <ul style="list-style-type: none"> - 6x ports SATA 6Gb/s (SATA1~6) - 1x port M.2* - M.2 port supporte le module M.2 SATA 6Gb/s - M.2 port supporte le module M.2 PCIe jusqu'à la vitesse 10Gb/s** - M.2 port supporte le module de longueur 4.2cm/ 6cm/ 8cm - Support RAID 0, RAID1, RAID 5 et RAID 10*** - Support Intel® Smart Response Technology, Intel® Rapid Start Technology et Intel® Smart Connect Technology**** ■ Chipset ASMedia ASM1061 <ul style="list-style-type: none"> - 2x ports SATA 6Gb/s (SATA7~8) <p>* Ports SATA5 et SATA6 sont indisponibles pendant l'installation de module au port M.2. ** Intel RST ne supporte pas PCIe M.2 SSD avec Legacy ROM. *** L'interface M.2 PCIe ne prend pas en charge RAID 0, RAID1, RAID 5 ni RAID 10. **** Support Intel Core processeurs sous Windows 7 et Windows 8/ 8.1</p>
USB	<ul style="list-style-type: none"> ■ Chipset Intel® Z97 Express <ul style="list-style-type: none"> - 4x ports USB 3.0 disponibles via les connecteurs USB internes - 6x ports USB 2.0 (2 ports sur le panneau arrière, 4 ports disponibles via les connecteurs USB internes*) ■ Chipset ASMedia ASM1074 <ul style="list-style-type: none"> - 6x ports USB 3.0 sur le panneau arrière ■ Chipset ASMedia ASM1142 <ul style="list-style-type: none"> - 2x ports USB 3.1 sur le panneau arrière <p>* Le connecteur JUSB1 interne supporte MSI Super Charger.</p>

Audio	<ul style="list-style-type: none"> ■ Realtek® ALC1150 Codec <ul style="list-style-type: none"> - 7.1-canal audio haute-définition - Support S/PDIF output ■ CMedia CM6631A (pour JAUD1) <ul style="list-style-type: none"> - Support USB 2.0 audio de haute vitesse
LAN	<ul style="list-style-type: none"> ■ 1x Killer E2205 Gigabit LAN contrôleur* <p>* Le Killer Network Manager n'est actuellement disponible que pour Windows 7 et Windows 8/ 8.1. Les pilotes pris en charge pour d'autres systèmes d'exploitation seront disponibles sur le site officiel s'ils sont fournis par le vendeur.</p>
Wireless LAN	<ul style="list-style-type: none"> ■ Killer Wireless 1525 module. <ul style="list-style-type: none"> - Support 2x2 802.11a/b/g/n/ac avec les fonctions avancées - Support 20/ 40MHz à la vitesse 2.4GHz et 20/ 40/ 80MHz à la vitesse 5GHz
Bluetooth	<ul style="list-style-type: none"> ■ Killer Wireless 1525 module. <ul style="list-style-type: none"> - Support Bluetooth v4.1
Connecteurs sur le panneau arrière	<ul style="list-style-type: none"> ■ 1x port PS/2 combo clavier/ souris ■ 2x ports USB 2.0 ■ 1x bouton d'effacement CMOS ■ 6x ports USB 3.0 ■ 2x ports USB 3.1 ■ 1x port LAN (RJ45) ■ 1x connecteur S/PDIF OUT optique ■ 1x port HDMI ■ 1x port DisplayPort ■ 6x prises audio OFC
Connecteurs internes	<ul style="list-style-type: none"> ■ 1x connecteur d'alimentation principal 24-pin ATX ■ 1x connecteur d'alimentation 8-pin ATX 12V ■ 8x connecteurs SATA 6Gb/s ■ 1x port M.2 ■ 2x connecteurs USB 2.0 (support 4 autres ports USB 2.0) ■ 2x connecteurs USB 3.0 (support 4 autres ports USB 3.0) ■ 2x connecteurs de ventilateur de CPU 4-pin ■ 3x connecteurs de ventilateur de système 4-pin ■ 1x connecteur de module TPM ■ 1x connecteur audio avant ■ 1x connecteur d'alimentation audio direct ■ 2x connecteurs de panneau de système ■ 1x connecteur châssis intrusion ■ 1x cavalier d'effacement CMOS ■ 9x connecteurs vérification de tension ■ 1x bouton d'alimentation ■ 1x bouton de réinitialisation ■ 1x bouton OC Genie ■ 1x interrupteur Multi-BIOS ■ 1x cavalier de démarrage du mode ralenti ■ 1x interrupteur d'alimentation audio ■ 1x connecteur de module Wi-Fi/Bluetooth ■ 1x 2-Digit Debug Code LED
I/O Contrôleur	<ul style="list-style-type: none"> ■ Chip contrôleur NUVOTON NCT6792
Moniteur de matériel	<ul style="list-style-type: none"> ■ Détection de la température du CPU/ du système ■ Détection de la vitesse du ventilateur du CPU/ du système ■ Le contrôle de la vitesse du ventilateur du CPU/ du système

Fonctions BIOS	<ul style="list-style-type: none"> ■ 2x 64 Mb flash ■ UEFI AMI BIOS ■ ACPI 5.0, PnP 1.0a, SM BIOS 2.7, DMI 2.0 ■ Multi-langue
Fonctions spéciales	<ul style="list-style-type: none"> ■ Audio Boost 2 ■ Military Class 4 ■ OC Genie 4 ■ Click BIOS 4 ■ NVIDIA SLI ■ AMD CrossFire ■ Sound Blaster Cinema 2 ■ Easy Button ■ Points de contrôle tension ■ Bouton d'effacement CMOS ■ Total Fan Control ■ Gaming Device Port ■ Super Charger ■ Smart Utilities ■ Wi-Fi ■ Bluetooth ■ Command Center ■ ECO Center
Logiciel	<ul style="list-style-type: none"> ■ Pilotes ■ MSI <ul style="list-style-type: none"> - Command Center - Live Update 6 - Smart Utilities - Super Charger - Fast Boot - ECO Center - MSI Gaming APP ■ 7-ZIP ■ Intel Extreme Tuning Utility ■ Norton Internet Security Solution ■ Sound Blaster Cinema 2 ■ XSplit Gamecaster ■ Killer Network Manager
Dimension	<ul style="list-style-type: none"> ■ Dimensions ATX ■ 12 in. x 9.6 in. (30.5 cm x 24.4 cm)

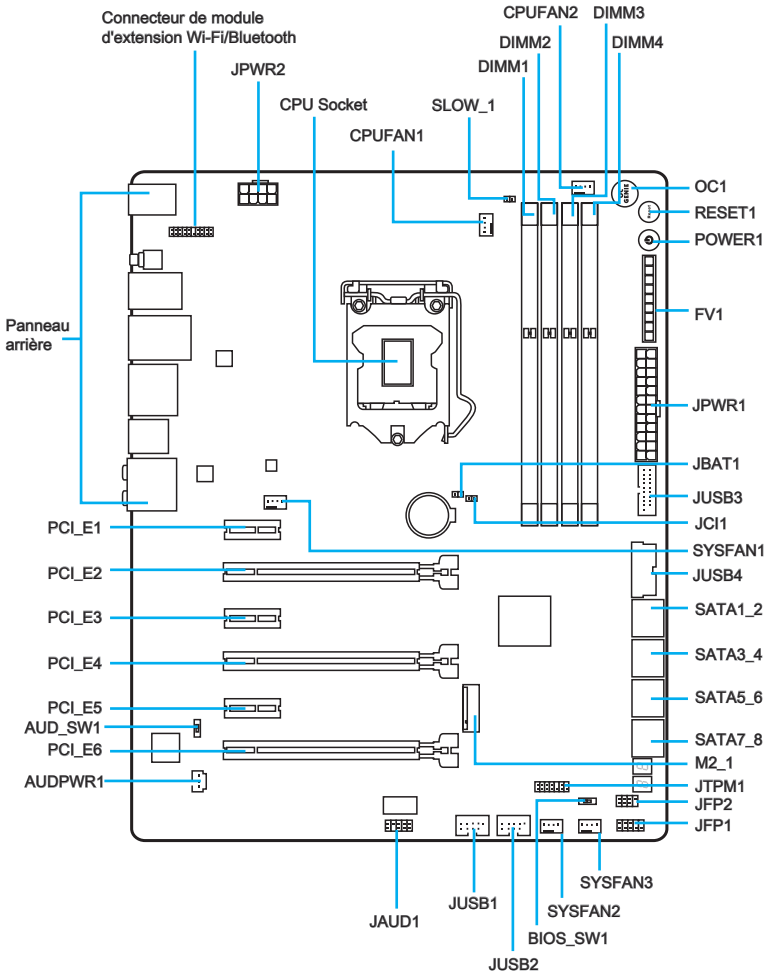


Pour plus d'information sur le CPU, veuillez visiter
<http://www.msi.com/cpu-support/>



Pour plus d'information sur les composants compatibles, veuillez visiter
<http://www.msi.com/test-report/>

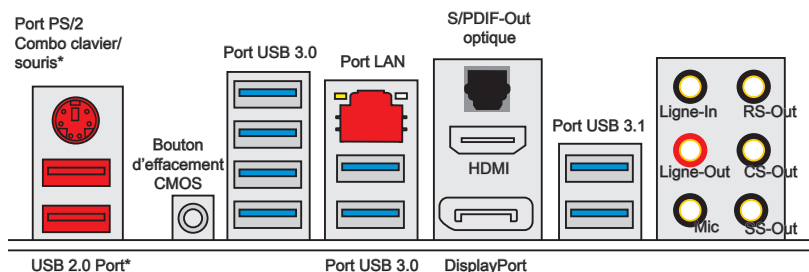
Guide Rapide Des Connecteurs



Guide référence des connecteurs

Noms de ports	Types des ports	Page
AUDPWR1	Connecteur Direct Audio Power	Fr-23
AUD_SW1	Interrupteur Audio Power	Fr-30
Panneau arrière	Ports I/O	Fr-7
BIOS_SW1	Interrupteur Multi-BIOS	Fr-29
CPU	LGA1150 CPU Socket	Fr-9
CPUFAN1~2,SYSFAN1~3	Connecteurs d'alimentation du ventilateur	Fr-19
DIMM1~4	Emplacements de mémoire DDR3	Fr-13
FV1	Connecteurs vérification de tension	Fr-25
JAUD1	Connecteur audio avant	Fr-23
JBAT1	Connecteur d'effacement CMOS	Fr-28
JCI1	Connecteur intrusion châssis	Fr-22
JFP1, JFP2	Connecteurs de panneau système	Fr-20
JPWR1~2	Connecteurs d'alimentation ATX	Fr-15
JTPM1	Connecteur de module TPM	Fr-24
JUSB1~2	Connecteurs d'extension USB 2.0	Fr-21
JUSB3~4	Connecteurs d'extension USB 3.0	Fr-22
M2_1	Port M.2	Fr-24
OC1	Bouton OC Genie	Fr-26
PCI_E1~6	Emplacements d'extension PCIe	Fr-16
POWER1	Bouton d'alimentation	Fr-27
RESET1	Bouton de réinitialisation	Fr-27
SATA1~8	Connecteurs SATA	Fr-18
SLOW_1	Cavalier de démarrage mode ralenti	Fr-28

Guide rapide du panneau arrière



* Ports pour périphérique de jeux.

► Port PS/2 combo clavier/ souris

Combinaison d'un connecteur souris / clavier DIN PS/2 pour une souris ou un clavier PS/2®.

► Bouton d'effacement CMOS

CMOS RAM intégré qui est alimenté par une batterie externe, destiné à conserver les données de configuration du système. Avec le CMOS RAM, le système peut lancer automatiquement le système d'exploitation chaque fois qu'il est allumé. Si vous souhaitez effacer la configuration du système, appuyez sur ce bouton pour effacer les données.

► Port USB 2.0

Le port USB 2.0 sert à brancher des périphériques USB 2.0 tels que le clavier, la souris, ou d'autres périphériques compatibles USB 2.0.

► Port USB 3.0

Le port USB 3.0 est rétro-compatible avec les périphériques USB 2.0. Il supporte un taux de transfert jusqu'à 5 Gbit/s (Super-Vitesse).

► Port USB 3.1

Le port USB 3.1 est rétro-compatible avec les périphériques USB 3.0/ 2.0. Il supporte un taux de transfert jusqu'à 10 Gbit/s (Super-Vitesse USB 10 Gbps).

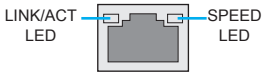


Important

Si vous voulez installer un périphérique USB 3.0/ 3.1, vous devez vous connecter à un port USB 3.0/ 3.1. Si un câble USB est utilisé, il doit être compatible USB 3.0/ 3.1.

► Port LAN

La prise standard RJ-45 LAN sert à la connexion au réseau local (Local Area Network (LAN)).

	LED	Etat de LED	Description
	Link/ Activity LED (LED de lien/ activité)	Eteint	Non relié
		Jaune	Relié
		Clignote	Activité de donnée
	Speed LED (LED de vitesse)	Eteint	Débit de 10 Mbps
		Vert	Débit de 100 Mbps
Orange		Débit de 1 Gbps	

► S/PDIF-Out optique

Ce connecteur S/PDIF (Sony et Philips Digital Interconnect Format) est utilisé pour la transmission audio numérique à des haut-parleurs externes via un câble optique.



► Port HDMI

Le High-Definition Multimedia Interface est une interface audio/vidéo tout-numérique, qui est capable de transmettre des flux décompressés. HDMI supporte toutes les formes de TV, y compris le standard, l'amélioré, ou les vidéos hautes définitions, plus l'audio numérique multicanal sur un simple câble.

► Port DisplayPort

Le port DisplayPort est une interface d'affichage numérique standard. Ce connecteur sert à relier un moniteur avec les entrées DisplayPort.



Important

Cette plate-forme supporte la fonction double-écran.

	HDMI+DisplayPort
Mode étendu (Etendre le PC sur un deuxième moniteur)	○
Mode clone (Les moniteurs ont le même écran)	○

► Ports Audio

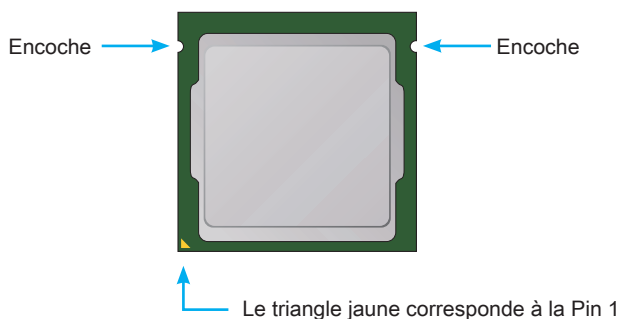
Ces connecteurs audio sont utilisés pour les périphériques audio.

- Ligne In : sert à connecter les périphériques externes de sortie audio.
- Ligne Out : est utilisé pour un haut-parleur ou un casque.
- Mic : est utilisé pour un microphone.
- RS-Out : Sortie audio haut-parleurs surround arrières en mode 4/ 5.1/ 7.1.
- CS-Out : Sortie audio centre / caisson de basse en mode 5.1/ 7.1.
- SS-Out : Sortie audio haut-parleurs surround de côté en mode 7.1.

Processeur : CPU

Introduction du LGA 1150 CPU

A la surface du CPU LGA 1150 vous noterez deux encoches et un triangle jaune servant à aligner le CPU dans la bonne position sur la carte mère. Le triangle jaune correspond à la Pin 1.



Important

Surchauffe

La surchauffe endommage sérieusement le processeur et le système. Assurez-vous toujours que le système de refroidissement fonctionne correctement pour protéger le processeur de la surchauffe. Assurez-vous d'appliquer une couche de pâte thermique (ou adhésif thermique) entre le processeur et le système de refroidissement afin d'améliorer la dissipation de la chaleur.

Remplacement du processeur

Lorsque vous remplacez le processeur, commencez toujours par couper l'alimentation électrique du système et débranchez le cordon d'alimentation de la prise pour garantir la sécurité du processeur.

Overclocking

Cette carte mère supporte l'overclocking. Néanmoins, veuillez vous assurer que vos composants soient capables de tolérer l'overclocking. Toutefois l'utilisation au delà des spécifications constructeur n'est pas recommandé. Nous ne garantissons pas les dommages et risques causés par les utilisations non prévues dans les spécifications du produit.

Installation du CPU et son ventilateur

Quand vous installez un CPU, assurez-vous toujours que le CPU soit équipé d'un ventilateur, qui est nécessaire pour éviter la surchauffe et maintenir la stabilité. Suivez les instructions suivantes pour installer le CPU et son ventilateur correctement. Une installation incorrecte peut endommager votre CPU et la carte mère.



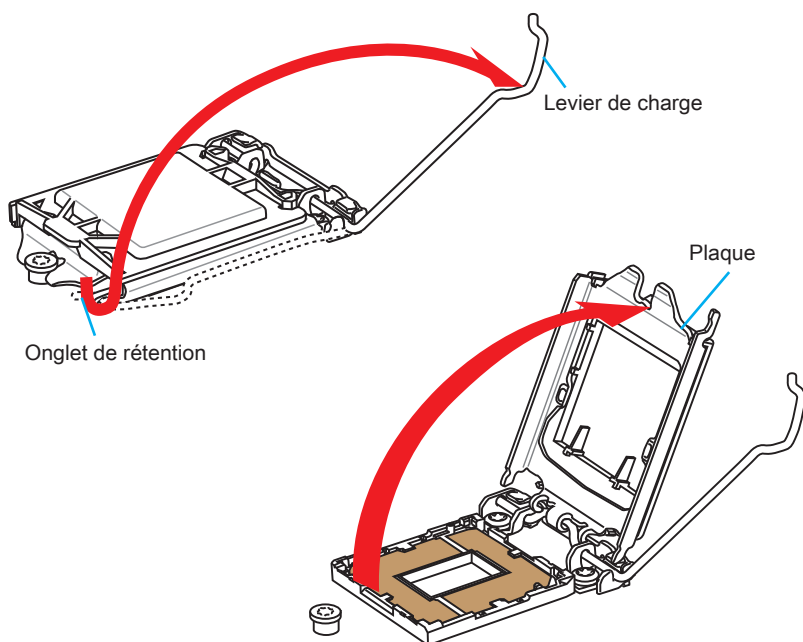
Démonstration de vidéo

Voir le vidéo d'installation du CPU et de son ventilateur sur le site ci-dessous.

<http://youtu.be/bf5La099url>



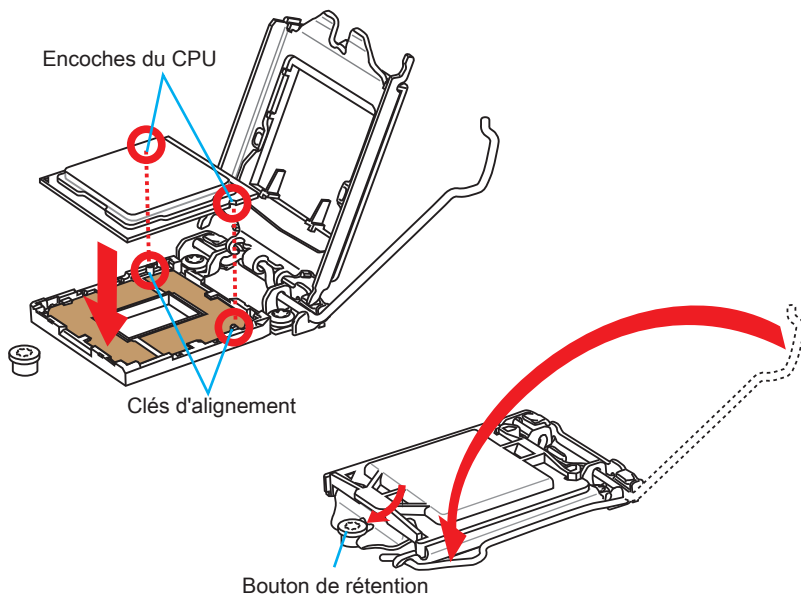
1. Poussez le levier de charge vers le bas pour le détacher et levez jusqu'à la position complètement ouverte.
2. La plaque se lève automatiquement lorsque le levier est levé à la position complètement ouverte.



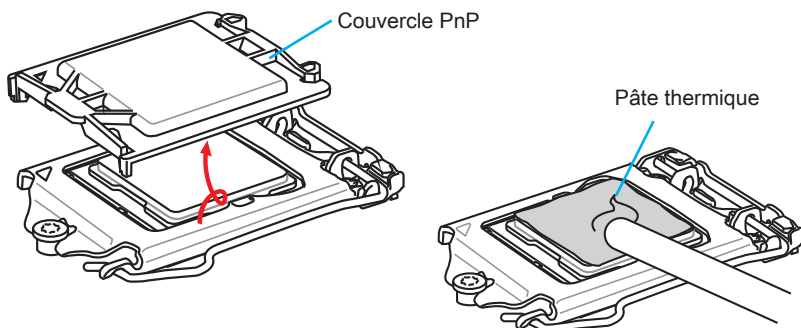
Important

Ne pas toucher les contacts du socket ou l'envers du CPU.

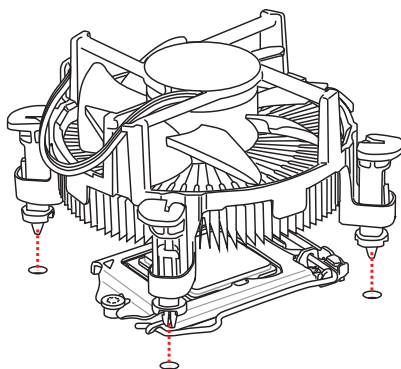
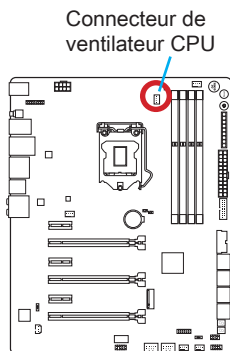
- Alignez les encoches et les clés d'alignement du socket. Abaissez le CPU en ligne droite, évitez de faire basculer ou glisser le CPU dans l'emplacement. Vérifiez qu'il est bien installé dans la bonne direction.
- Fermez et glissez le plaque de charge sous le bouton de rétention. Fermez et engagez le levier de charge.



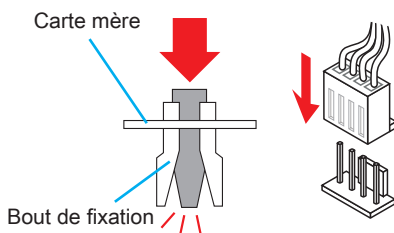
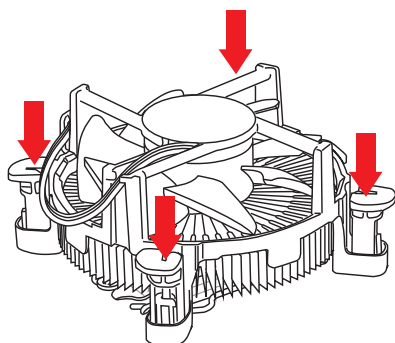
- Quand vous poussez le levier, le couvercle PnP surgit automatiquement de l'emplacement du CPU. Ne pas jeter le couvercle PnP. Toujours replacez le couvercle PnP si le CPU est enlevée de son emplacement.
- Appliquez une couche de pâte thermique (ou d'adhésif thermique) sur le dessus du CPU. Cela aide la dissipation de chaleur et prévient la surchauffe du CPU.



- Localisez le connecteur du ventilateur CPU sur la carte mère.
- Placez le ventilateur sur la carte mère avec son câble face au connecteur du ventilateur. Les éléments de fixation doivent correspondre aux trous sur la carte.



- Appuyez sur le ventilateur jusqu'à ce que les quatre éléments de fixation se coincent dans les trous de la carte mère. Appuyez sur les quatre éléments de fixation pour fixer le ventilateur. Lorsque tous les quatre sont bien en position, vous devez entendre un clic.
- Inspectez la carte mère pour vous assurer que les bouts des éléments de fixation sont bien verrouillés en position.
- Finalement, reliez le câble du ventilateur de CPU au connecteur sur la carte mère.

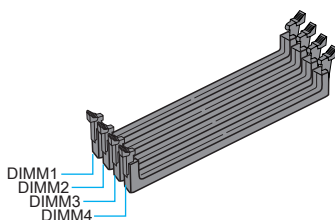
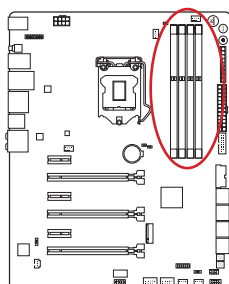


Important

- Vérifiez que le ventilateur de CPU est bien attaché sur le CPU avant de démarrer votre système.
- Quand le CPU n'est pas installé, toujours protégez les broches de l'emplacement du CPU avec le couvercle recouvrant l'emplacement.
- Si vous avez acheté un CPU avec son ventilateur séparé, veuillez vous référer à la documentation dans le paquet du ventilateur pour plus d'information d'installation.

Mémoire

Ces emplacements DIMM sont destinés à installer les modules de mémoire.



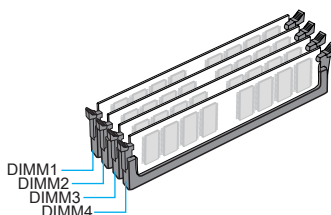
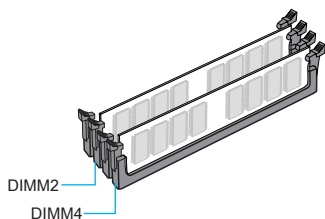
Démonstration de vidéo

Voir le vidéo sur l'installation des mémoires sur le site ci-dessous.
<http://youtu.be/76yLtJaKICQ>



Règle de population en mode double canal

En mode de double canal, les modules de mémoire peuvent transmettre et recevoir simultanément deux lignes de données. L'activation du mode double canal peut améliorer les performances du système. Veuillez vous reporter aux illustrations suivantes pour connaître les règles de population en mode double canal.

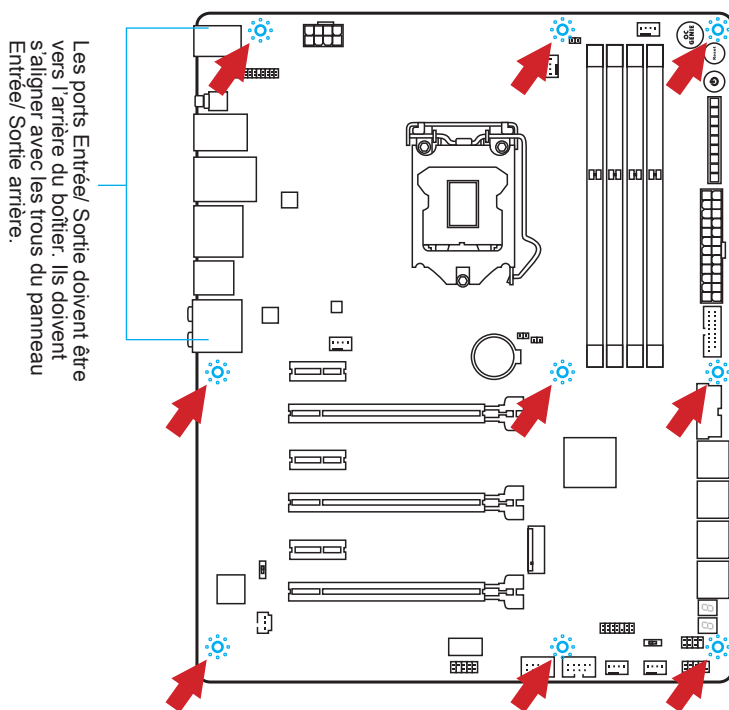


Important

- Les modules de mémoire DDR3 ne sont pas interchangeables avec les modules DDR2. Vous devez toujours installer les modules de mémoire DDR3 dans les emplacements DDR3 DIMM.
- Pour garantir la stabilité du système, assurez-vous d'installer les modules de mémoire du même type et de la même densité en mode double canal.
- A cause des ressources utilisées par le chipset, le système ne détectera que jusqu'à 31+GB (non 32GB plein) lorsque tous les emplacements DIMM sont installés avec des modules de mémoire de 8GB.

Trous Taraudés de Montage

Avant d'installer votre carte mère, il faut d'abord installer les socles de montage nécessaires sur le plateau de montage du boîtier de l'ordinateur. Si le boîtier de l'ordinateur est accompagné par un panneau Entrée/ Sortie arrière, veuillez le remplacer et utiliser celui qui est fourni dans la boîte de la carte. Le panneau Entrée/ Sortie arrière doit se fixer facilement dans le boîtier sans recourir à des vis. Alignez les socles de montage du plateau avec les trous taraudés de la carte mère et sécurisez la carte mère avec les vis fournies avec le boîtier de l'ordinateur. L'emplacement des trous taraudés de la carte est montrée ci-dessous. Pour plus d'information, veuillez vous référer au manuel de votre boîtier ordinateur.



Important

- Veuillez noter qu'avant d'installer la carte mère dans le boîtier, il faut enlever les écrous du couvercle I/O à l'arrière de la carte mère.
- Installez la carte mère sur une surface plate et propre.
- Pour prévenir tous dommages à la carte mère, veuillez à n'avoir aucun contact entre la carte mère et le boîtier de l'ordinateur hormis les socles de montage.
- Veuillez vous assurer qu'il n'y pas de composant en métal mis sur la carte ou dans le boîtier de l'ordinateur qui entraînerait un court circuit à la carte mère

Connecteurs d'alimentation



Démonstration de vidéo

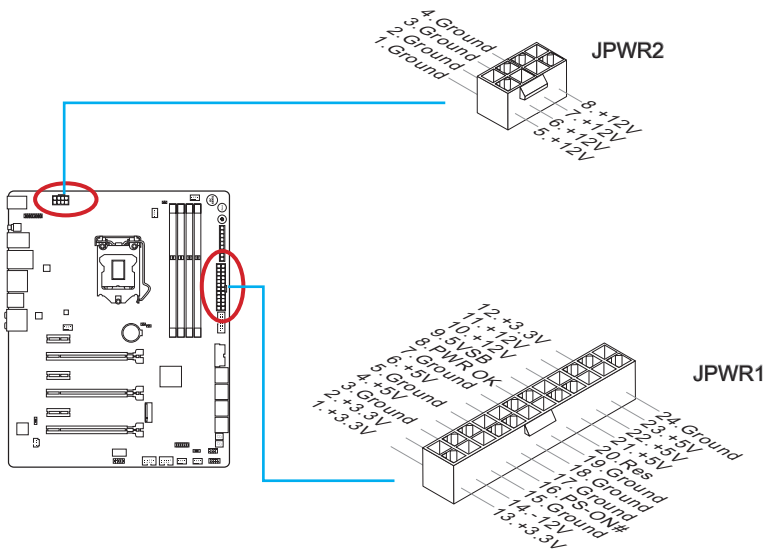
Voir le vidéo sur l'installation des connecteurs d'alimentation sur le site ci-dessous.

http://youtu.be/gkDYyR_83I4



JPWR1~2 : Connecteur d'alimentation ATX

Ce connecteur vous permet de relier une alimentation ATX. Pour cela, alignez le câble d'alimentation avec le connecteur et appuyez fermement le câble dans le connecteur. Si ceci est bien fait, la pince sur le câble d'alimentation doit être accrochée sur le connecteur d'alimentation de la carte mère.



Important

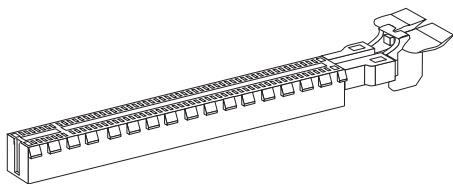
Veillez vous assurer que tous les connecteurs sont connectés aux bonnes alimentations ATX afin garantir une opération stable de la carte mère.

Emplacements d'extension

Cette carte mère contient de nombreux ports pour les cartes d'extension, tels que les cartes graphiques ou les cartes audio.

PCI_E1~6 : Emplacement d'extension PCIe

L'emplacement PCIe supporte l'interface de carte d'extension PCIe.



Emplacement PCIe 3.0 x16



Emplacement PCIe 2.0 x1



Important

Lorsque vous ajoutez ou retirez une carte d'extension, assurez-vous que le PC n'est pas relié au secteur. Lisez la documentation pour faire les configurations nécessaires du matériel ou logiciel ajoutés.

Cartes Vidéo/ Graphics

La carte mère peut utiliser la partie graphique intégrée au processeur, mais peut également utiliser une carte vidéo distincte installée sur un port d'extension de la carte mère. Une ou plusieurs cartes vidéo ajoutées peuvent améliorer fortement la performance graphique du système. Pour une compatibilité parfaite, nous vous recommandons d'utiliser des cartes graphiques MSI.



Démonstration de vidéo

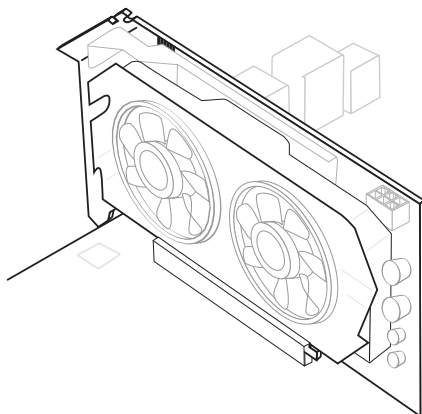
Voir la vidéo sur l'installation d'une carte graphique dans l'emplacement PCIe x16 avec verrou papillon sur le site ci-dessous.

http://youtu.be/mG0GZpr9w_A



Installation de simple carte vidéo

1. Déterminez quelle sorte d'emplacement(s) d'extension la carte vidéo utilisera. Localisez l'emplacement(s) d'extension sur la carte mère. Otez les caches de protection correspondants à cet emplacement du boîtier de l'ordinateur.
2. Alignez la carte vidéo sur le haut de l'emplacement d'extension, les sorties vidéo de la carte graphique orientés vers l'extérieur du boîtier de l'ordinateur. En cas d'une seule carte vidéo, il est recommandé d'utiliser l'emplacement PCI_E2.
3. Poussez la carte vidéo dans l'emplacement d'extension. Selon l'emplacement(s) d'extension utilisé, il doit y avoir des pinces sur l'emplacement(s) d'extension qui se verrouillent en place.
4. S'il est nécessaire, vissez l'équerre de la carte graphique au boîtier de l'ordinateur. Certaines cartes vidéo exigent un câble venant directement de l'alimentation.
5. Veuillez consulter le manuel de votre carte graphique pour plus d'instructions concernant l'installation des pilotes ou d'autres réglages spécifiques.



Connecteurs internes

SATA1~8 : Connecteurs SATA

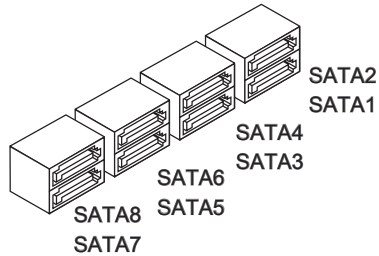
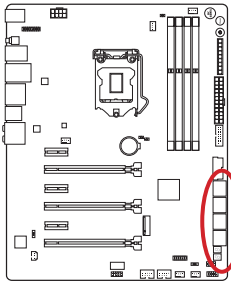
Ce connecteur est un port d'interface SATA haut débit. Chaque connecteur peut être relié à un appareil SATA. Les appareils SATA sont des disques durs (HDD), disque état solide (SSD), et lecteurs optiques (CD/ DVD/ Blu-Ray).



Démonstration de vidéo

Voir le vidéo sur l'installation d'un SATA HDD.

<http://youtu.be/RZsMpqxthc>



SATA1~6 (6Gb/s, par Intel® Z97)

SATA7~8 (6Gb/s, par ASMedia® ASM1061)

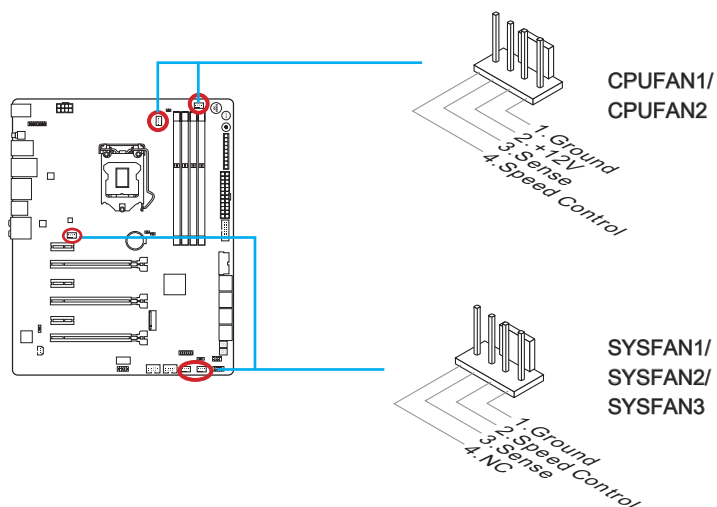


Important

- Les ports SATA5 et SATA6 deviennent indisponibles lorsqu'un module est installé dans le port M.2.
- De nombreux périphériques Sérial ATA ont besoin d'un câble d'alimentation. Ce type de périphériques comprend les disques durs (HDD), les disque état solide (SSD), et les périphériques optiques (CD / DVD / Blu-Ray). Veuillez vous référer au manuel des périphériques pour plus d'information.
- Dans la plupart des boîtiers d'ordinateur, il est nécessaire de fixer les périphériques SATA, tels que HDD, SSD, et lecteur optique au boîtier. Référez-vous au manuel de votre boîtier ou de votre périphérique SATA pour plus d'instructions d'installation.
- Veuillez ne pas plier le câble de Sérial ATA à 90°. Autrement il entraînerait une perte de données pendant la transmission.
- Les câbles SATA en ont des prises identiques sur chaque côté. Néanmoins, il est recommandé de connecter la prise plate sur la carte mère pour un gain d'espace.

CPUFAN1~2,SYSFAN1~3 : Connecteur d'alimentation du ventilateur

Les connecteurs d'alimentation du ventilateur supportent les ventilateurs de type +12V. Si la carte mère est équipée d'un moniteur du matériel système intégré, vous devrez utiliser un ventilateur spécial pourvu d'un capteur de vitesse afin de contrôler le ventilateur de l'unité centrale. N'oubliez pas de connecter tous les ventilateurs. Certains ventilateurs de système se connectent directement à l'alimentation au lieu de se connecter à la carte mère. Un ventilateur de système peut être relié à n'importe quel connecteur de ventilateur système.



Important

- Veuillez vous référer au site officiel de votre processeur ou consulter votre vendeur pour trouver ventilateurs de refroidissement CPU recommandés.
- Ces connecteurs supportent le contrôle Smart fan avec le mode liner. Vous pouvez installer l'utilitaire Command Center qui contrôlera automatiquement la vitesse du ventilateur en fonction de la température actuelle.
- S'il n'y pas assez de ports sur la carte mère pour connecter tous les ventilateurs du système, des adaptateurs sont disponibles pour connecter directement un ventilateur à l'alimentation du boîtier.
- Avant le premier démarrage, assurez-vous qu'aucune câble n'endommage les lames de ventilateurs.

JFP1, JFP2 : Connecteur panneau système

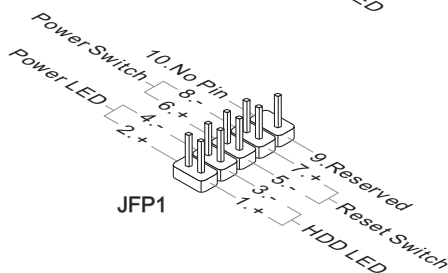
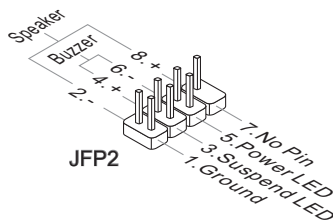
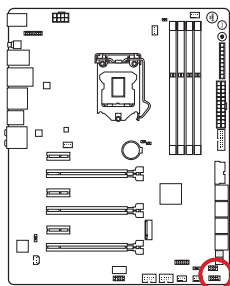
Ces connecteurs se connectent aux interrupteurs et LEDs du panneau avant. Le JFP1 est conforme au guide de conception de la connectivité Entrée/sortie du panneau avant Intel®. Lors de l'installation des connecteurs du panneau avant, veuillez utiliser le M-Connector en option afin de vous simplifier l'installation. Connectez tous les fils du boîtier à M-Connector et puis connectez le M-Connector à la carte mère.



Démonstration de vidéo

Voir le vidéo pour l'installation des connecteurs du panneau avant.

<http://youtu.be/DPELIdVNZUI>

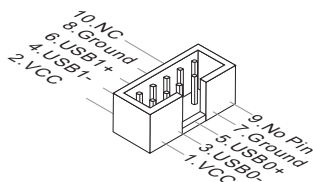
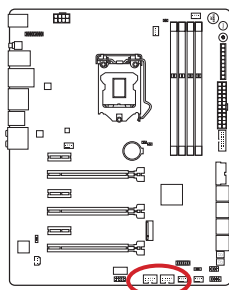


Important

- Sur les branchements du boîtiers, les broches marquées par de petits triangles sont des fils positifs. Veuillez utiliser les diagrammes ci-dessus et l'explication relative au M-Connector en option pour déterminer la bonne orientation et la position des connecteurs.
- La majorité des connecteurs sur le panneau avant du boîtier d'ordinateur sont connectés au JFP1 à l'origine.

JUSB1~2 : Connecteurs d'extension USB 2.0

Ce connecteur est destiné à connecter les périphériques USB haute vitesse tels que les disques durs USB, les appareils photo numériques, les lecteurs MP3, les imprimantes, les modems et les appareils similaires.



Le connecteur JUSB1 (marqué rouge) supporte la nouvelle technologie MSI Super-Charger permettant de recharger plus rapidement votre téléphone portable ou d'autres périphériques se rechargeant via USB. Pour activer cette fonction, il est nécessaire d'installer l'application MSI SuperCharger sur votre ordinateur. Lorsque l'application Super-Charger est activée, le connecteur JUSB1 convertira les canaux de données en canaux d'alimentation supplémentaires pour permettre la charge rapide. Veuillez remarquer qu'à ce moment, la transmission et synchronisation des données du connecteur JUSB1 seront désactivées. Pour activer à nouveau JUSB1 comme un connecteur USB 2.0 ordinaire, veuillez éteindre l'application SuperCharger. Lorsque l'ordinateur est en mode veille ou hibernation (S3/ S4/ S5), le mode SuperCharger peut être activé automatiquement.



Démonstration de vidéo

Voir la vidéo pour le changement du smartphone avec Super-Charger.

<http://youtu.be/FCyvj5NbOw>

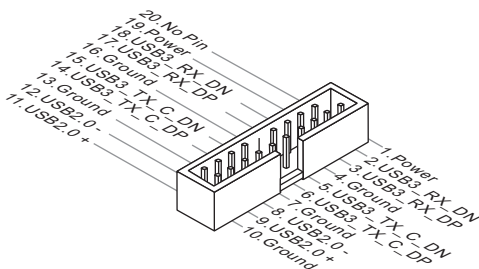
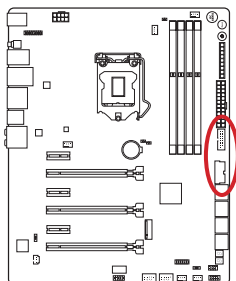


Important

- Notez que les pins VCC et GND doivent être branchées correctement afin d'éviter tout dommage possible.
- Veuillez ne connecter qu'un seul périphérique par port USB pour assurer une charge stable.
- La SuperCharger Technology n'est pas disponible sur tous les modèles de carte mère. Veuillez vous référer au site MSI pour vérifier si votre carte mère est équipée de la SuperCharger Technology.
- Pour l'iPad, JUSB1 (marqué rouge) peut aussi charger l'iPad en état S3, S4, S5.
- Nous ne recommandons pas de déconnecter un périphérique lorsque vous le chargez en état S1.

JUSB3~4 : Connecteurs d'extension USB 3.0

Le port USB 3.0 est rétro-compatible avec les périphériques USB 2.0. Il supporte un taux de transfert jusqu'à 5 Gbit/s (Super-Vitesse).

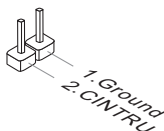
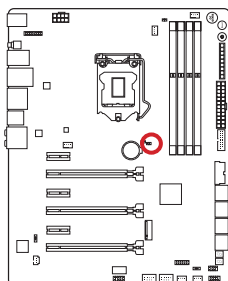


Important

- Notez que les pins de VCC et GND doivent être branchées correctement afin d'éviter tout dommage possible.
- Si vous voulez utiliser un périphérique USB 3.0, il faut utiliser une câble USB 3.0.

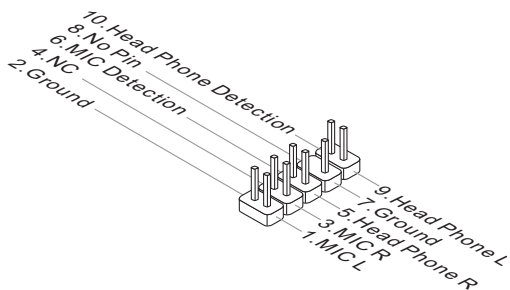
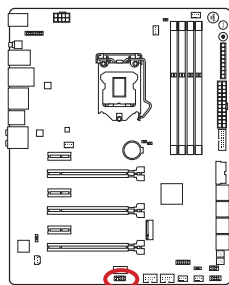
JCI1 : Connecteur Intrusion Châssis

Ce connecteur est relié à un câble d'interrupteur intrusion châssis. Si le châssis est ouvert, l'interrupteur en informera le système, qui enregistrera ce statut et affichera un écran d'alerte. Pour effacer ce message d'alerte, vous devez entrer dans le BIOS et désactiver l'alerte.



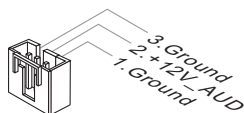
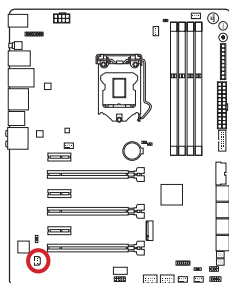
JAUD1 : Connecteur audio panneau avant

Ce connecteur vous permet de connecter un audio sur le panneau avant.



AUDPWR1 : Connecteur Direct Audio Power

Ce connecteur est utilisé pour alimenter directement les ports audio du panneau arrière. L'alimentation audio direct fournit une meilleure qualité d'audio. Veuillez relier ce connecteur à l'alimentation par un adaptateur d'alimentation audio.

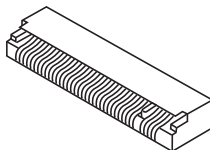
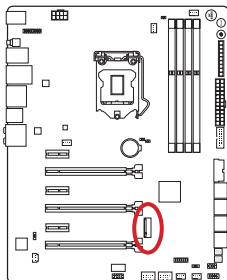


Important

Après la connexion de ce connecteur à l'alimentation directe, veuillez noter qu'il faut activer "Direct Audio Power" en ajustant l'interrupteur d'alimentation audio (AUD_SW1).

M2_1 : Port M.2

Le port M.2 supporte soit le module M.2 SATA 6Gb/s ou celui M.2 PCIe.

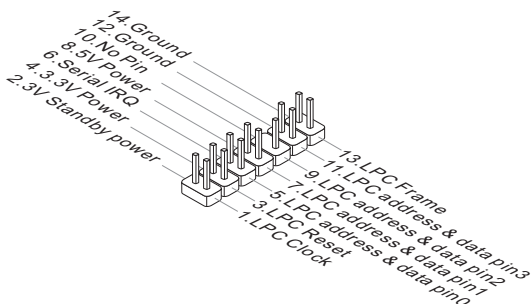
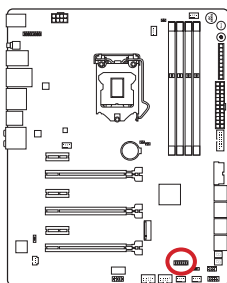


Important

- Les ports SATA5 et SATA6 deviennent indisponibles lorsqu'un module est installé dans le port M.2.
- Intel RST ne supporte pas PCIe M.2 avec Legacy ROM.
- L'interface M.2 PCIe ne supporte pas RAID 0, RAID1, RAID 5 et RAID 10.

JTPM1 : Connecteur de Module TPM

Ce connecteur est relié à un module TPM (Trusted Platform Module) en option. Veuillez vous référer au manuel du module TPM pour plus d'information détaillée.

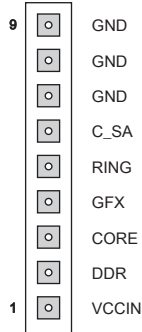
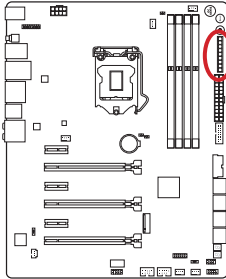


Point de vérification tension

Ces points de vérification de tension servent à mesurer les tensions actuelles du système. Un multimètre est nécessaire (non fourni) pour vérifier les tensions.

FV1 : Points de contrôle tension

Ces points de vérification tension servent à mesurer les tensions du CPU et du PCH. Pour vérifier les tensions, il faut attacher le fil positif du multimètre à ces points et attacher le fil négatif sur le point de masse.



Point	Description
GND (pin 7~9)	Masse
C_SA (pin 6)	Tension CPU_SA (CPU System Agent) est celle fournie au contrôleur de mémoire intégrée dans le CPU.
RING (pin 5)	Tension CPU Ring est un interface aux contrôleurs intégrés dans le CPU. La tension CPU Ring influe la performance d'overclocking du CPU.
GFX (pin 4)	La tension CPU_GFX est celle fournie au processeur graphique intégré localisé sur le CPU.
CORE (pin 3)	Tension CPU core0. La tension CPU est celle fournie au cœur CPU. L'overclocking plus haut demande une tension du cœur CPU plus haut pour maintenir la stabilité.
DDR (pin 2)	Tension de mémoire. La tension de mémoire DDR est celle fournie aux modules de mémoire DDR sur la carte mère. Le temps de mémoire moins peut exiger une tension plus haute pour maintenir la stabilité.
VCCIN (pin1)	La tension CPU VCCIN est la source d'alimentation du CPU, partagée avec les composants du CPU.

Boutons

Cette carte mère possède de nombreux boutons intégrés pour contrôler des fonctions variées. Cette section vous explique comment changer les fonctions de votre carte mère avec ces boutons intégrés.

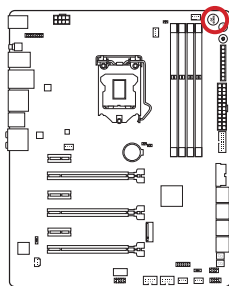
OC1 : Bouton OC Genie

Ce bouton sert à auto-overclocker le système. Appuyez sur ce bouton une fois lorsque le système est éteint pour activer OC Genie. Le bouton reste enfoncé jusqu'à ce qu'il soit appuyé de nouveau pour désactiver la fonction OC Genie. Lors du prochain démarrage, l'utilitaire OC Genie overlocke automatiquement les réglages CPU aux valeurs de performance optimale. Pour désactiver OC Genie, éteignez le système et appuyez encore sur le bouton OC Genie. Les réglages de configuration CPU retournent aux valeurs normales lorsque le bouton n'est plus enfoncé.



Démonstration de vidéo

Voir le vidéo pour l'utilisation du bouton OC Genie.
<http://youtu.be/nlpRvWkUazg>



Activé



Désactivé

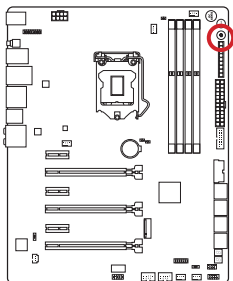


Important

- Cette carte mère permet d'activer OC Genie de deux façons différentes : appuyez le bouton OC Genie physique sur la carte mère, ou cliquez sur le bouton virtuel OC Genie dans le BIOS. Vous pouvez spécifier comment activer votre OC Genie depuis le menu "OC Genie Function Control" dans le BIOS.
- Veuillez installer une mémoire de DDR3 1333, ou supérieure et un dispositif de dissipation de la chaleur de qualité lorsque vous utilisez la fonction OC Genie.
- Nous ne garantissons pas le cadre d'overclocking ni les dommages/ risques pouvant être causés par l'overclocking.
- Vous pouvez désactiver la fonction OC Genie dans les réglages du BIOS. Veuillez vous référer à la section BIOS de ce manuel pour les instructions comment désactiver OC Genie dans le BIOS.
- L'utilisation d'OC Genie est à la risque de l'utilisateur. Overclocking n'est jamais garanti par MSI.
- Pour assurer un usage réussi d'OC Genie, les composants MSI sont recommandés.

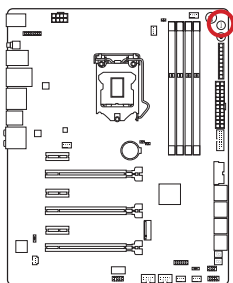
POWER1 : Bouton d'alimentation

Ce bouton sert à allumer ou éteindre le système. Appuyez sur ce bouton pour allumer ou éteindre le système.



RESET1 : Bouton de réinitialisation

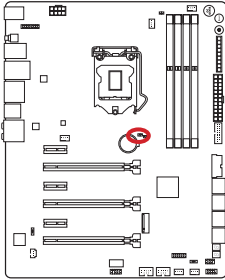
Ce bouton sert à réinitialiser le système. Appuyez sur ce bouton pour le réinitialiser.



Cavaliers

JBAT1 : Cavalier d'effacement CMOS

Il y a un CMOS RAM intégré, qui est alimenté par une batterie externe située sur la carte mère, destiné à conserver les données de configuration du système. Avec le CMOS RAM, le système peut lancer automatiquement le système d'exploitation chaque fois qu'il est allumé. Si vous souhaitez effacer la configuration du système, réglez le cavalier pour effacer CMOS RAM.



Conserv. les données



Effacer les données

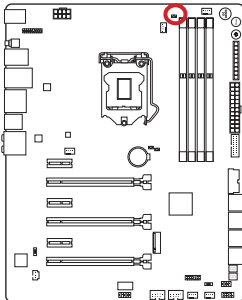


Important

Vous pouvez effacer le CMOS RAM en connectant ce cavalier quand le système est éteint. Ensuite, ouvrez le cavalier. Evitez d'effacer le CMOS pendant que le système est allumé; cela endommagerait la carte mère.

SLOW_1 : Interrupteur de démarrage du mode ralenti

Cet interrupteur est la solution de refroidissement LN2, fournissant les conditions extrêmes d'overclocking, à se démarrer à la fréquence stable du processeur et ainsi prévenir le crash du système.



Normal
(Défaut)



Mode ralenti



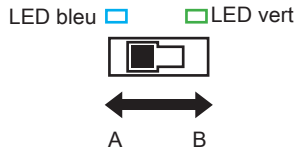
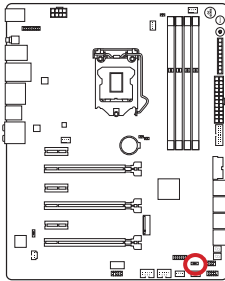
Important

Les utilisateurs peuvent essayer l'overclocking à la température extrêmement peu élevée à leurs propres risques. Les résultats d'overclocking peuvent varier selon la version du CPU.

Interrupteur

BIOS_SW1 : Interrupteur Multi-BIOS

Cette carte mère est équipée de deux BIOS ROMs indépendants (étiquetés A et B, celui par défaut est A). Si un des deux est endommagé, vous pouvez passer à l'autre pour le démarrage par glissement de l'interrupteur. En outre, ces deux BIOS ROMs ne supportent pas la fonction Auto Recovery (Récupération automatique), il faudrait maintenir ou mettre à jour la version BIOS par vous-même.



Récupération de BIOS avec la commande AFUDOS

Lors de l'échec de la mise à jour du BIOS et que le système ne peut plus démarrer, vous pouvez récupérer le BIOS avec les étapes suivantes.

Préparation :

1. Préparez un disque flash USB.
2. Téléchargez le fichier BIOS à jour sur le site officiel MSI : www.msi.com, et puis décompressez le fichier.
3. Copiez AFUDE238.exe et le fichier BIOS sur le disque flash USB

Étapes de récupération BIOS :

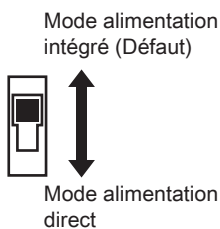
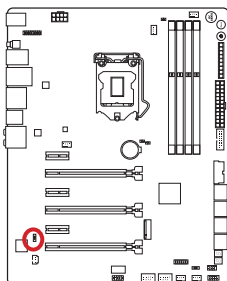
1. Assurez-vous que le système est éteint.
2. Réglez l'interrupteur multi-BIOS sur la ROM BIOS fonctionnelle.
3. Insérez le lecteur USB que vous avez préparé.
4. Démarrez l'ordinateur sur le lecteur USB.
5. Réglez l'interrupteur multi-BIOS sur la ROM BIOS corrompue.
6. Exécutez la DOS commande ci-dessous :
Par exemple : AFUDE238 EXXXXIMS.XXX
7. Redémarrez l'ordinateur après que le flash BIOS soit terminé.



Ne pas utiliser l'interrupteur multi-BIOS pendant le démarrage du système.

AUD_SW1 : Interrupteur d'alimentation audio

Cet interrupteur spécifie le mode d'alimentation pour les ports audio sur le panneau arrière.



Important

- Avant de commuter à "Direct Power mode", veuillez vous assurer que "Direct Audio Power Connector" (AUDPWR1) est relié à l'alimentation.
- Ne pas utiliser l'interrupteur d'alimentation audio pendant que le système est en route car il peut endommager la carte mère.

Indicateurs d'état LED

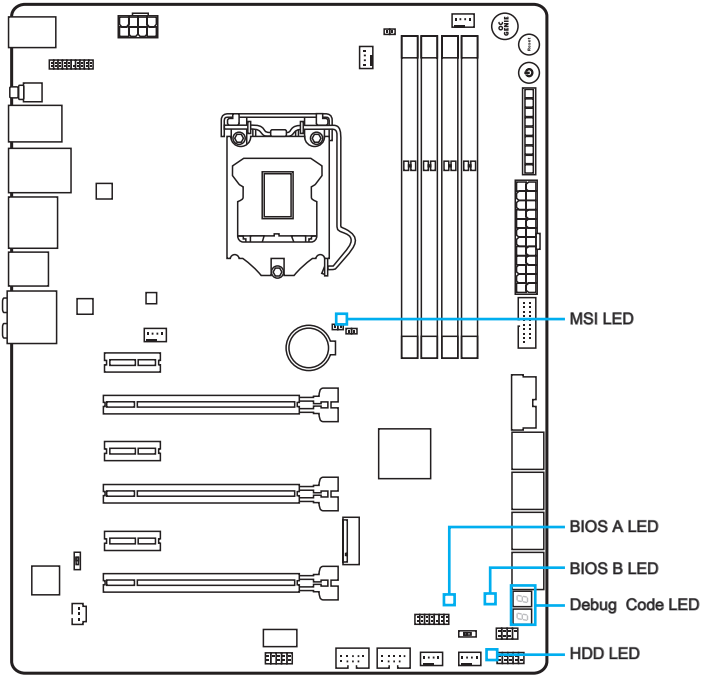


Tableau d'état LED

Le tableau suivant décrit l'état d'indicateurs LED.

LED	Etat LED	Description
MSI	Allumé	Debug
HDD	Clignote	Activité disque dur
BIOS A LED	Bleu	BIOS A en opération
BIOS B LED	Vert	BIOS B en opération

Tableau LED Debug Code

Veillez vous référer au tableau suivant pour plus d'information sur le message LED du code Debug.

Poste	Etat
02,07	Allumage initialisation CPU
03,08	Allumage initialisation North Bridge
04,09	Allumage initialisation South Bridge
0B	Allumage initialisation Cache
11~14,32~36,56~5A	Antérieur initialisation CPU
15~18,37~3A	Antérieur initialisation North Bridge
19~1C,3B~3E	Antérieur initialisation South Bridge
1D~2F,31,3F~4E,50~55	Antérieur initialisation mémoire
63~67,D0	Postérieur initialisation CPU
69~6F,D1	Postérieur initialisation North Bridge
70~77,D2	Postérieur initialisation South Bridge
92~96,B5,D4	Initialisation bus PCI
97,98,99,B2,D5~D7	Console périphériques Sortie/Entrée /initialisation consoler et chargement Option ROM (VGA, RAID, ports parallèles, ports séries.....)
9A~A7,B4	Initialiser et détecter les périphériques intégrés (USB/ SATA/ SCSI.....)
A8,A9,AB	Démarrage de la configuration BIOS. Configuration BIOS si nécessaire/ exigé.
AD/AE	Evénement Prêt à Démarrer/ Evénement démarrage Legacy
Température CPU	Démarrage complet

Pilotes et Utilitaires

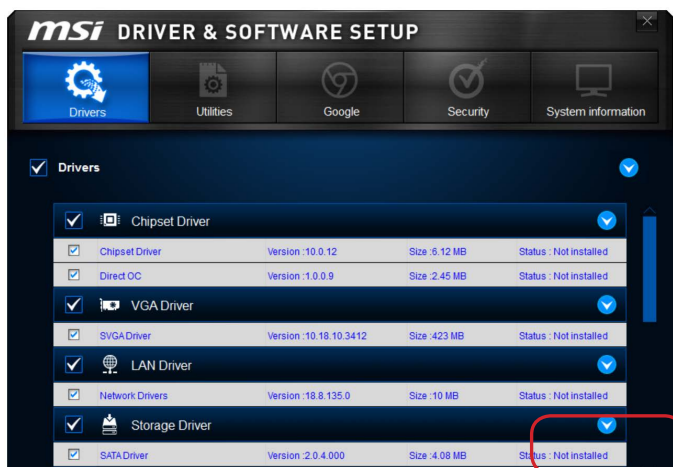
Après l'installation du système d'exploitation, il faut installer des pilotes pour maximiser les performances de l'ordinateur. La carte mère MSI est dotée d'un disque de pilotes. Ces pilotes permettent à l'ordinateur d'employer la carte mère plus efficacement et de bien développer les fonctions fournies.

Vous pouvez protéger votre ordinateur des virus par l'installaton des programmes de sécurité empaquetés. Le paquet comprend aussi une variété d'utilitaires puissants et créatifs.

Installation de pilotes/ utilitaires

Veillez suivre les étapes suivantes pour installer les pilotes et les utilitaires pour votre ordinateur neuf.

1. Insérez le disque de pilote MSI dans le lecteur optique. L'écran de réglages apparaît automatiquement si l'autorun est activé dans le système d'exploitation.
2. Cliquez sur Total Installer. Une boîte de dialogue surgit et affiche tous les pilotes nécessaires.
3. Cliquez sur le bouton **Install**.



Cliquez ici

4. L'installation des logiciels sera en cours. Une fois terminé, il vous rappellera de redémarrer.
5. Cliquez sur le bouton **OK** pour terminer.
6. Redémarrez votre ordinateur.

Vous pouvez installer les utilitaires de la même façon.

Configuration BIOS

CLICK BIOS est développé par MSI qui fournit une interface graphique utilisateur pour régler les paramètres du BIOS à l'aide de la souris et du clavier.

Avec CLICK BIOS, vous pouvez modifier les réglages BIOS, surveiller la température du CPU, choisir la priorité de périphérique démarrage et voir les informations du système tel que le nom du CPU, la capacité DRAM, la version du système d'exploitation et du BIOS. Vous pouvez importer et exporter les données de paramétrages pour les sauvegarder et les partager avec vos amis.

Entrer dans le réglage BIOS

Allumez l'ordinateur et le système lancera le processus POST (Test automatique d'allumage). Lorsque le message ci-dessous apparaît à l'écran, appuyez sur la touche pour entrer dans le Réglage:

Press to run BIOS setup, or <F11> to run boot menu
(Appuyez sur la touche DEL pour entrer dans le BIOS, F11 dans Démarrage)

Si le message disparaît avant que vous ne répondiez et que vous souhaitez encore entrer dans le BIOS, redémarrez le système en éteignant puis en rallumant en appuyant sur le bouton RESET (Réinitialiser). Vous pouvez également redémarrer le système en appuyant simultanément sur les touches <Ctrl>, <Alt>, et <Delete>.

MSI fournit deux façons supplémentaires pour entrer dans la configuration BIOS. Vous pouvez cliquer sur l'onglet "GO2BIOS" à l'écran d'utilitaire "MSI Fast Boot" ou appuyez sur le bouton "GO2BIOS" physique (en option) sur la carte mère pour permettre au système d'aller dans la configuration BIOS directement au prochain démarrage.



Cliquez sur l'onglet "GO2BIOS" depuis l'écran d'utilitaire "MSI Fast Boot".



Important

- Veuillez vous assurer d'avoir installé l'utilitaire "MSI Fast Boot" avant d'utiliser le service pour accéder à la configuration du BIOS.
- Les menus du BIOS décrits ici sont mis à jour régulièrement. La description ci-dessous peut donc être légèrement différente et ne doit être considérée que comme une référence.

Vue d'ensemble

Entrer dans le BIOS, l'écran suivant apparaît.






► Sélection du menu BIOS

Les options suivantes sont disponibles :

- **SETTINGS** - Utilisez ce menu pour spécifier vos réglages du chipset et des périphériques de démarrage.
- **OC** - Ce menu permet l'ajustement des fréquences et des tensions. L'augmentation de la fréquence permettra de meilleures performances, néanmoins une haute fréquence, produit plus de chaleur et pourrait entraîner une instabilité, nous déconseillons aux utilisateurs non initiés d'overclocker.
- **M-FLASH** - Ce menu fournit la méthode pour mettre à jour le BIOS avec un disque flash USB.
- **OC PROFILE** - Ce menu sert à régler divers profils d'overclocking.
- **HARDWARE MONITOR** - Ce menu permet de régler la vitesse des ventilateurs et de surveiller les tensions du système.
- **BOARD EXPLORER** - Il fournit les informations relatives aux périphériques installés sur la carte mère.

Opération

Vous pouvez contrôler le réglage BIOS avec la souris et le clavier. La liste ci-dessous décrit les opérations des touches raccourcis et de la souris.

Touches	Souris	Description
<↑↓→←>	 Choisir un champ	Choisir un article
<Enter>	 Cliquer/ Double-cliquer le bouton gauche	Choisir une icône/ un domaine
<Esc>	 Click the right button	Retourner au menu Exit ou revenir à la page précédente d'un sous-menu
<+>	X	Augmenter la valeur numérique ou faire un changement
<->		Diminuer la valeur numérique ou faire un changement
<F1>		Aide générale
<F2>		Assistant de favoris
<F3>		Saisir vos menus favoris
<F4>		CPU Spécifications
<F5>		Entrer dans Memory-Z
<F6>		Charger les réglages optimaux par défaut
<F8>		Charger les profils OC de USB
<F9>		Conserver les profils OC à USB
<F10>		Conserver les changement et réinitialiser
<F12>		Conserver une capture d'écran sur un lecteur USB FAT/FAT32

OC Menu

Ce menu est destiné aux utilisateur avancés souhaitant overclocker la carte mère.



Important

- L'Overclocking manuel du PC n'est recommandé que pour les utilisateurs avancés.
- L'Overclocking n'est pas garanti, et une mauvaise manipulation peut invalider votre garantie et endommager sévèrement votre matériel.
- Si vous n'êtes pas familier avec l'overclocking, nous recommandons d'utiliser OC Genie pour un overclocking simplifié et plus stable.

▶ Simple/Advanced Mode [Simple]

Active ou désactive les réglages OC avancés dans le BIOS.

[Simple] Fournit les réglages OC réguliers dans le BIOS.

[Advanced] Fournit les réglages OC avancés pour expert de configurer dans le BIOS.

Nota : Le symbole * signifie le mode avancé des réglages OC.

▶ CPU Ratio [Auto]

Définit le ratio CPU qui sert à déterminer la vitesse de l'horloge CPU. Ce menu peut être modifié uniquement si le CPU prend cette fonction en charge.

▶ Adjusted CPU Frequency

Montre la fréquence ajustée du CPU. En lecture seule.

▶ EIST [Enabled]*

Active ou désactive Enhanced Intel® SpeedStep Technology. Ce menu apparaît lorsque "CPU Ratio" est mis en [Auto].

[Enabled] Active le EIST d'ajuster dynamiquement la tension du CPU et la fréquence du cœur. Cela diminue la consommation d'énergie et la production de chaleur en moyenne.

[Disabled] Désactive EIST.

► OC Genie Function Control [By Onboard Button]

Active la fonction OC Genie via le bouton virtuel dans le BIOS ou le bouton physique sur la carte mère. L'activation de la fonction OC Genie peut overclocker automatiquement le système avec le profil d'overclocking MSI optimisé.

[By BIOS Options] La fonction OC Genie est activée en cliquant le bouton virtuel OC Genie en haut à gauche de l'écran de configuration du BIOS.

[By Onboard Button] La fonction OC Genie est activée en appuyant sur le bouton physique OC Genie sur la carte mère.



Important

- *Nous vous recommandons d'éviter toute modification dans le menu OC et de ne pas charger les paramètres par défaut une fois la fonction OC Genie activée.*
- *La mise à jour du BIOS ou la suppression du CMOS en mode OC Genie n'est pas autorisée ; ceci peut entraîner le dysfonctionnement de la fonction OC Genie ou tout autre effet.*

► Ring Ratio [Auto]

Définit le ratio ring. La gamme de valeurs validée dépend du CPU installé.

► Adjusted Ring Frequency

Montre la fréquence ajustée Ring. En lecture seule.

► GT Ratio [Auto]

Définit le ratio graphique intégré. La gamme de valeurs validée dépend du CPU installé.

► Adjusted GT Frequency

Affiche la fréquence graphique intégrée. En lecture seule.

► CPU Base Clock (MHz) [Default]

Définit le base clock CPU. Vous pouvez overclocker le CPU en ajustant sa valeur. Veuillez noter que le comportement d'overclocking n'est pas garanti. Ce menu apparaît quand le processeur installé prend cette fonction en charge.

► DRAM Frequency [Auto]

Définit la fréquence DRAM. Veuillez noter que le comportement d'overclocking n'est pas garanti.

► Adjusted DRAM Frequency

Montre la fréquence ajustée DRAM. En lecture seule.

► Extreme Memory Profile (X.M.P) [Disabled]

X.M.P. (Extreme Memory Profile) est la technologie d'overclocking par le module de mémoire. Ce menu est disponible quand vous installez les modules de mémoire prenant la technologie X.M.P. en charge.

[Disabled] Désactive cette fonction.

[Profile 1] Réglage de profil1 over-clocking du modèle de mémoire XMP installé.

[Profile 2] Réglage de profil2 over-clocking du modèle de mémoire XMP installé.

► Memory Try It! [Disabled]

Memory Try It! fonctionne pour améliorer la compatibilité ou performance de mémoire en choisissant les préréglages de mémoire optimisés.

► DRAM Timing Mode [Auto]

Choisit le mode de latences mémoire.

[Auto] DRAM timings sera déterminé selon le SPD (Serial Presence Detect) des modules de mémoire installés.

[Link] Ceci vous permet de configurer les latences DRAM manuellement pour tous les canaux de mémoire.

[UnLink] Ceci vous permet de configurer les latences DRAM manuellement pour chaque canal de mémoire.

► Advanced DRAM Configuration

Appuyez sur <Enter> pour entrer dans le sous-menu. Ce sous-menu est activé par le réglage en [Link] ou [Unlink] dans "DRAM Timing Mode". L'utilisateur peut régler la synchronisation de mémoire pour chaque canal de mémoire. Le système peut être instable ou ne peut plus redémarrer après le changement de la synchronisation de la mémoire. Dans ce cas-là, veuillez effacer les données CMOS et remettre le réglage par défaut. (Se référer à l'interrupteur/ au bouton Clear CMOS pour effacer les données CMOS, et entrer dans le BIOS pour charger les réglages par défaut.)

► DRAM Training Configuration*

Appuyez sur <Enter> pour entrer dans le sous-menu. Active ou désactive les différents types de tests DRAM. Le système pourrait devenir instable ou ne pas démarrer une fois ces menus modifiés dans le sous-menu. Dans ce cas-là, veuillez effacer les données CMOS et appliquer les réglages par défaut. (Référez-vous au chapitre de cavalier/ bouton d'effacement CMOS pour la suppression des données CMOS, et l'accès au BIOS pour charger les réglages par défaut.)

► Memory Fast Boot [Auto]

Active ou désactive l'initialisation et le test de la mémoire à chaque démarrage.

[Auto] Ce réglage est automatiquement configuré par le BIOS.

[Enabled] La mémoire imitera complètement l'archive de la première initiation et la première formation. La mémoire n'est ensuite plus initialisée ni testée au moment du démarrage, de façon à accélérer le démarrage du système.

[Disabled] La mémoire est initialisée et testée à chaque démarrage.

► DigitALL Power

Appuyez sur <Enter> pour entrer dans le sous-menu. Contrôle l'alimentation numérique pour CPU PWM.

► VR 12VIN OCP Expander [Auto]

Etendre la limitation de VR Over Current Protection avec la tension d'entrée de 12V. La valeur plus haute signifie moins de protection. Par conséquent, veuillez ajuster le courant soigneusement en cas nécessaire, ou ceci endommagerait le CPU/ VR MOS. Mis en "Auto", le BIOS configure ce réglage automatiquement.

► CPU Phase Control [Auto]

Contrôle la phase PWM proportionnement à la charge du CPU. En "Auto", optimise automatiquement la phase CPU PWM.

[Auto] Ce réglage est configuré automatiquement par le BIOS.

[Normal] Définit le profil de phase d'alimentation normal pour le CPU. Il peut fournir une performance stable de système et la capacité d'économie d'énergie efficace.

[Optimized] Définit le profil de phase d'alimentation optimum pour le CPU. Il peut fournir au système une capacité d'économie d'énergie optimum.

[Disabled] Désactive la fonction changement phase d'alimentation PWM.

► **CPU Vdroop Offset Control [Auto]**

Définit un pourcentage de la tension de décalage pour CPU vdroop. En "Auto", le BIOS configure automatiquement ce réglage.

► **CPU Over Voltage Protection [Auto]**

Définit une limite de tension pour la protection contre la surtension du CPU. En "Auto", le BIOS configure automatiquement ce réglage. Une tension plus élevée protège moins et peut endommager le système.

► **CPU Under Voltage Protection [Auto]**

Définit une limite de tension pour la protection contre la sous-tension du CPU. En "Auto", le BIOS configure automatiquement ce réglage. Une tension plus élevée protège moins et peut endommager le système.

► **CPU Over Current Protection [Auto]**

Définit une limite actuelle pour la protection contre la surtension du CPU. En "Auto", le BIOS configure automatiquement ce réglage. Un pourcentage élevé protège moins et peut endommager le système.

► **CPU Switching Frequency [Auto]**

Définit la vitesse de fonction du PWM pour stabiliser la tension du cœur CPU et minimiser la gamme d'ondulation. L'augmentation de la vitesse de fonction PWM élève la température MOSFET. Il est nécessaire alors de disposer d'une solution de refroidissement adéquate pour MOSFET avant d'augmenter cette valeur. En "Auto", le BIOS configure automatiquement ce réglage.

► **CPU VRM Over Temperature Protection [Enabled]**

Active ou désactive la protection contre la surtension du CPU VRM.

[Enabled] Définit une limite température sur CPU VRM pour la protection sur température. La réquence CPU peut être restreint avec la sur température spécifiée de CPU VRM.

[Disabled] Désactive cette fonction.

► **DRAM Phase Control [Auto]**

Contrôle la phase PWM proportionnellement au charge DRAM. En "Auto", le BIOS optimise la phase DRAM PWM automatiquement.

[Auto] Ce réglage est configure automatiquement par le BIOS.

[Disabled] Désactive la fonction modification de la phase d'alimentation PWM.

► **DRAM Switching Frequency [Auto]**

Définit la vitesse de fonctionnement PWM pour stabiliser la tension DRAM et minimiser le gamme de basculage. En "Auto", le BIOS configure ce réglage automatiquement.

► **SVID Communication [Auto]***

Active ou désactive le support SVID (Serial Voltage Identification).

[Auto] Ce réglage est configuré automatiquement par le BIOS.

[Enabled] La phase PWM est modifié dynamiquement selon le CPU SVID (Serial Voltage Identification).

[Disabled] Désactive le support SVID (Serial Voltage Identification).

► **VCCIN Voltage [Auto]**

Définit la tension d'entrée du CPU. La tension d'entrée du CPU est la source d'alimentation du CPU partagée avec ses composants.

► CPU Core/Ring/GT Voltage Mode [Auto]*

Choisit le mode de contrôle pour les tensions du cœur CPU/ Ring/ GT.

- [Auto] Ce réglage est configuré automatiquement par le BIOS.
- [Adaptive Mode] Définit la tension adaptative automatiquement pour l'optimisation de la performance du système.
- [Override Mode] Vous permet de régler la tension manuellement.
- [Offset Mode] Vous permet de régler la tension de compensation et choisir le mode de compensation pour la tension.
- [Adaptive + Offset] Définit la tension adaptative automatiquement et ceci vous permet de régler la tension de compensation.
- [Override + Offset] Vous permet de définir la tension et celle de compensation manuellement.

► CPU Core Voltage/ CPU Ring Voltage/ CPU GT Voltage [Auto]

Définit les tensions de CPU Core/ Ring/ GT. En "Auto", le BIOS configure ces tensions automatiquement. Vous pouvez également les régler manuellement. Ce menu apparaît lorsque "CPU Core/Ring/GT Voltage Mode" est mis en [Auto]/ [Adaptive Mode]/ [Override Mode].

► CPU Core/ Ring/ GT Voltage Offset Mode [Auto]*

Choisit le mode de compensation pour la tension du cœur CPU/ Ring/ GT. Ce menu apparaît lorsque "CPU Core/Ring/GT Voltage Mode" est mis en [Offset Mode]/ [Adaptive + Offset]/ [Override + Offset].

- [Auto] Ce réglage est configuré automatiquement par le BIOS.
- [+] Vous permet de compenser la tension par le mode de valeur positive.
- [-] Vous permet de compenser la tension par le mode de valeur négative.

► CPU Core/ Ring/ GT Voltage Offset [Auto]

Définit la valeur de compensation pour la tension du cœur CPU/ Ring/ GT. En "Auto", le BIOS définit automatiquement ces tensions ou vous pouvez les régler manuellement. Ce menu apparaît lorsque "CPU Core/Ring/GT Voltage Mode" est mis en [Offset Mode]/ [Adaptive + Offset]/ [Override + Offset].

► CPU SA/IOA/IOD Voltage Mode [Manual Mode]*

Choisit le mode de contrôle pour la tension de CPU SA/ IOA (IO Analog)/ IOD (IO Digital).

- [Manual] Vous permet de régler la tension manuellement.
- [Offset] Vous permet de définir la tension compensation et d'en choisir le mode.

► CPU SA/ IO Analog/ IO Digital Voltage Offset Mode [Auto]*

Choisit le mode de compensation pour la tension CPU SA/ IOA/ IOD. Ce menu apparaît lorsque "CPU SA/IOA/IOD Voltage Mode" est mis en [Offset Mode].

- [Auto] Ce réglage est configuré automatiquement par le BIOS.
- [+] Vous permet de compenser la tension par le mode de valeur positive.
- [-] Vous permet de compenser la tension par le mode de valeur négative.

► CPU SA/ IO Analog/ IO Digital Voltage Offset [Auto]*

Définit la valeur de compensation pour la tension CPU SA/ IO Analog/ IO Digital. En "Auto", le BIOS définit ces tensions automatiquement ou vous pouvez les régler manuellement. Ce menu apparaît lorsque "CPU SA/IOA/IOD Voltage Mode" est mis en [Offset Mode].

► CPU SA/ IO Analog/ IO Digital Voltage [Auto]*

Définit les tensions CPU SA/ IO Analog/ IO Digital. En "Auto", le BIOS configure ces tensions automatiquement. Vous pouvez également les régler manuellement. Ce menu apparaît lorsque "CPU SA/IOA/IOD Voltage Mode" est en [Manual Mode].

► XXX Voltage [Auto]* (en option)

Définit les tensions relatives à la mémoire/ PCH. En "Auto", le BIOS configure ces tensions automatiquement. Vous pouvez également les régler manuellement.

► CPU Memory Changed Detect [Enabled]*

Active ou désactive le système de sortir un message d'alerte pendant le démarrage lorsque le CPU ou la mémoire a été remplacé.

[Enabled] Le système sort un message d'alerte pendant le démarrage et demande le chargement des réglages par défaut pour les nouveaux périphériques.

[Disabled] Désactive cette fonction et garde les réglages BIOS actuels.

► CPU Specifications

Appuyez sur <Enter> pour entrer dans le sous-menu. Ce sous-menu affiche l'information du CPU installé. Vous pouvez également accéder au menu d'information à tout temps en appuyant sur [F4]. En lecture seule.

► CPU Technology Support

Appuyez sur <Enter> pour entrer dans le sous-menu. Ce sous-menu affiche les principales fonctions prises en charge par le CPU installé. En lecture seule.

► MEMORY-Z

Appuyez sur <Enter> pour entrer dans le sous-menu. Ce sous-menu affiche tous les réglages et délai de la mémoire installée. Vous pouvez également accéder au menu d'information à tout temps en appuyant sur [F5].

► DIMMx Memory SPD

Appuyez sur <Enter> pour entrer dans le sous-menu. Ce sous-menu affiche l'information de la mémoire installée. En lecture seule.

► CPU Features

Appuyez sur <Enter> pour entrer dans le sous-menu.

► Hyper-Threading Technology [Enabled]

Le processeur utilise la technologie Hyper-Threading pour augmenter le taux de transaction et réduire le temps de réponse utilisateur. La technologie traite les multi cœurs dans le processeur comme des multi processeurs logiques qui exécutent les instructions simultanément. Dans ce cas-là, la performance du système est considérablement augmentée.

[Enable] Active la technologie Intel Hyper-Threading.

[Disabled] Désactive ce menu si le système ne supporte pas la fonction HT.

► Active Processor Cores [All]

Ce menu vous permet de choisir le nombre de cœurs actifs du processeur.

► Limit CPUID Maximum [Disabled]

Active ou désactive la valeur étendue CPUID.

[Enabled] Le BIOS limite la valeur d'entrée maximum CPUID pour contourner le problème démarrage de l'ancien système d'exploitation ne prenant pas en charge le processeur avec la valeur étendue CPUID.

[Disabled] Utilise la valeur d'entrée maximum actuelle CPUID.

► Execute Disable Bit [Enabled]

La fonctionnalité Intel's Execute Disable Bit prévient certains niveaux d'attaques malveillantes de "buffer overflow" dans lesquelles les vers essaient d'exécuter un code pour endommager le système. Il est recommandé de toujours garder ce élément activé.

[Enabled] Active la protection NO-Execution pour prévenir les attaques malveillantes et les vers.

[Disabled] Désactive cette fonction.

► Intel Virtualization Tech [Enabled]

Active ou désactive la technologie Intel Virtualization.

[Enabled] Active la technologie Intel Virtualization et autoriser une plate-forme visant à faire fonctionner plusieurs systèmes d'exploitation dans des partitions indépendentes. Le système peut fonctionner virtuellement comme des systèmes multiples.

[Disabled] Désactive cette fonction.

► Intel VT-D Tech [Enabled]

Active ou désactive la technologie Intel VT-D (Intel Virtualization pour Direct I/O).

► Hardware Prefetcher [Enabled]

Active ou désactive le prefetcher matériel (MLC Streamer prefetcher).

[Enabled] Permet au prefetcher matériel d'acquérir automatiquement les données et les instructions dans le cache L2 de la mémoire pour ajuster les performances du CPU.

[Disabled] Désactive le prefetcher matériel.

► Adjacent Cache Line Prefetch [Enabled]

Active ou désactive le prefetcher matériel CPU (MLC Spatial prefetcher).

[Enabled] Active le prefetcher de la ligne de cache adjacente pour réduire le temps de latence et ajuster les performances dans l'application spécifique.

[Disabled] Active seulement la ligne de cache exigée.

► CPU AES Instructions [Enabled]

Active ou désactive le support CPU AES (Advanced Encryption Standard-New Instructions). Ce menu apparaît si le CPU prend cette fonction en charge.

[Enabled] Active le support Intel AES.

[Disabled] Désactive le support Intel AES.

► Intel Adaptive Thermal Monitor [Enabled]

Active ou désactive la fonction de régulation adaptative de la température du moniteur Intel pour protéger le CPU contre la surchauffe.

[Enabled] Ralentit l'horloge du cœur CPU lorsque sa température dépasse la température du régulateur adaptatif.

[Disabled] Désactive cette fonction.

► Intel C-State [Auto]

C-state est une technologie de gestion d'alimentation processeur, définie par ACPI.

[Auto] Ce réglage est configuré automatiquement par le BIOS.

[Enabled] Détecte l'état de repos du système et réduit en conséquence la consommation d'énergie du CPU.

[Disabled] Désactive cette fonction.

► C1E Support [Disabled]

Active ou désactive la fonction C1E pour l'économie d'énergie en état d'arrêt. Ce menu apparaît lorsque "Intel C-State" est activé.

[Enabled] Active la fonction C1E pour réduire la fréquence et la tension CPU visant à économiser l'énergie en état d'arrêt.

[Disabled] Désactive cette fonction.

► Package C State limit [Auto]

Ce menu permet de choisir un mode C-state de CPU pour économiser l'énergie lorsque le système est au repos. Ce menu apparaît lorsque "Intel C-State" est activé.

[Auto] Ce réglage est configuré automatiquement par le BIOS.

[C0~C7s] Le niveau d'économie d'énergie du plus élevé au plus bas est C7s, C7, C6, C3, C2, puis C0.

► LakeTiny Feature [Disabled]

Active ou désactive la fonction Intel Lake Tiny avec iRST pour SSD. Cet article apparaît lorsque le CPU installé prend cette fonction en charge et que "Intel C-State" est activé.

[Enabled] Améliore les performances ajustées de charge ES dynamique pour accélérer la vitesse SSD.

[Disabled] Désactive cette fonction.

► EIST [Enabled]

Active ou désactive Enhanced Intel® SpeedStep Technology. Ce menu apparaît lorsque "Simple/ Advanced Mode" est mis en [Simple].

[Enabled] Active le EIST d'ajuster dynamiquement la tension du CPU et la fréquence du cœur. Cela diminue la consommation d'énergie et la production de chaleur en moyenne.

[Disabled] Désactive EIST.

► Intel Turbo Boost [Enabled]

Active ou désactive Intel® Turbo Boost. Ce menu, pour le mode Simple, apparaît lorsque le CPU installé prend cette fonction en charge.

[Enabled] Active la fonction d'augmenter automatiquement les performances du CPU, supérieures à la spécification nominale lorsque le système exige un état de performance de plus élevée.

[Disabled] Désactive cette fonction.

► Long Duration Power Limit (W) [Auto]

Définit la limite d'alimentation de longue durée TDP pour le CPU en mode Turbo Boost.

► Long Duration Maintained (s) [Auto]

Définit le temps de maintien pour "Long duration power Limit(W)".

► Short Duration Power Limit (W) [Auto]

Définit la limite d'alimentation de courte durée TDP pour le CPU en mode Turbo Boost.

► CPU Current limit (A) [Auto]

Définit la limite actuelle maximum du paquet CPU en mode Turbo Boost. Lorsque la valeur actuelle est supérieure à la valeur spécifiée, le CPU réduit automatiquement la fréquence du cœur pour réduire la limite actuelle.

► **Internal VR OVP OCP Protection [Auto]**

Active ou désactive la protection sur tension et la protection sur-courant pour VR (Voltage Regulator) du CPU.

[Auto] Ce réglage est configuré automatiquement par le BIOS.

[Enabled] Définit la limite de tension sur le VR interne du CPU pour la protection sur-tension et la protection sur-courant.

[Disabled] Désactive cette fonction pour l'overclocking.

► **Internal VR Efficiency Management [Auto]**

Active ou désactive la gestion d'efficacité de VR interne du CPU.

[Auto] Le réglage est configuré automatiquement par le BIOS.

[Enabled] Active la gestion d'efficacité VR pour le contrôle d'économie d'énergie.

[Disabled] Désactive cette fonction.

► **Internal VR Switching Frequency [Auto]**

Définit le pourcentage de compensation de la fréquence d'interrupteur VR interne. Mis en "Auto", Le réglage est configuré automatiquement par le BIOS. Ce menu n'apparaît qu'avec un CPU prenant en charge cette fonction.

► **DMI Gen 2 [Enabled]**

Active ou désactive DMI (Direct Media Interface) génération 2.

► **DMI De-emphasis Control [-6dB]**

Réglez la valeur essentielle pour améliorer les marges DMI. Cependant, la valeur par défaut fonctionne souvent le mieux.

Русский

Благодарим вас за выбор системной платы серии Z97A GAMING 9 ACK (MS-7926 v1.X) ATX. Материнские платы серии Z97A GAMING 9 ACK на базе чипсета Intel® Z97 и обеспечивают оптимальную производительность системы. Платы серии Z97A GAMING 9 ACK, обеспечивают высокую производительность и являются профессиональными платформами для настольных ПК, благодаря совместимости с усовершенствованными процессорами Intel® LGA1150.

Характеристики материнской платы

Поддержка процессоров	<ul style="list-style-type: none"> ■ Поддержка процессоров Intel® Core™, и Intel® Pentium® и Celeron® 4-го и 5-го поколения для сокета LGA1150
Чипсет	<ul style="list-style-type: none"> ■ Intel® Z97 Express
Память	<ul style="list-style-type: none"> ■ 4x DDR3 слота памяти с поддержкой до 32ГБ ■ Поддержка DDR3 3200(OC)/ 3100(OC)/ 3000(OC)/ 2800(OC)/ 2666(OC)/ 2600(OC)/ 2400(OC)/ 2200(OC)/ 2133(OC)/ 2000(OC)/ 1866(OC)/ 1600/ 1333/ 1066 МГц ■ Двухканальная архитектура памяти ■ Поддержка non-ECC, небуферизованной памяти ■ Поддержка Intel® Extreme Memory Profile (XMP)
Слоты расширения	<ul style="list-style-type: none"> ■ 3x слота PCIe 3.0 x16 (поддержка режимов x16, x8/x8, x8/x4/x4) ■ 3x слота PCIe 2.0 x1
Встроенная графика	<ul style="list-style-type: none"> ■ 1x порт HDMI, с поддержкой максимального разрешения 4096X2160@24Гц/ 2560X1600@60Гц ■ 1x DisplayPort, с поддержкой максимального разрешения 4096X2304@24Гц/ 2560X1600@60Гц/ 3840X2160@60Гц/1920X1200@60Гц
Поддержка Multi-GPU	<ul style="list-style-type: none"> ■ Поддержка Технологии 3-Way AMD® CrossFire™* ■ Поддержка Технологии 2-Way NVIDIA® SLI™ <p>* Поддержка Windows 7 и Windows 8/ 8.1.</p>
Устройства хранения данных	<ul style="list-style-type: none"> ■ Чипсет Intel® Z97 Express <ul style="list-style-type: none"> - 6x портов SATA 6Гб/с (SATA1~6) - 1x порт M.2* - Порт M.2 поддерживает модуль M.2 SATA 6Гб/с - Порт M.2 поддерживает модуль M.2 PCIe до 10Гб/с** - Порт M.2 поддерживает модуль длины в 4.2см/ 6см/ 8см - Поддержка RAID 0, RAID1, RAID 5 и RAID 10*** - Поддержка Технологии Intel® Smart Response, Технологии Intel® Rapid Start и Технологии Intel® Smart Connect**** ■ Чипсет ASMedia ASM1061 <ul style="list-style-type: none"> - 2x порта SATA 6Гб/с (SATA7~8) <p>* Порты SATA5 и SATA6 будут недоступны при установке модуля в порт M.2. ** Intel RST не поддерживает PCIe M.2 SSD и Legacy ROM. *** Интерфейс M.2 PCIe не поддерживает RAID 0, RAID1, RAID 5 и RAID 10. **** Поддержка процессоров Intel Core на Windows 7 и Windows 8/ 8.1</p>
USB	<ul style="list-style-type: none"> ■ Чипсет Intel® Z97 Express <ul style="list-style-type: none"> - 4x порта USB 3.0 доступны через внутренние USB разъемы - 6x портов USB 2.0 (2 порта на задней панели, 4 порта доступны через внутренние USB разъемы*) ■ Чипсет ASMedia ASM1074 <ul style="list-style-type: none"> - 6x портов USB 3.0 на задней панели ■ Чипсет ASMedia ASM1142 <ul style="list-style-type: none"> - 2x порта USB 3.1 на задней панели <p>* Внутренний JUSB1 разъем поддерживает MSI Super Charger.</p>

Аудио	<ul style="list-style-type: none"> ■ Realtek® ALC1150 Codec <ul style="list-style-type: none"> - 7.1-канальный High Definition Audio - Поддержка выход S/PDIF ■ CMedia CM6631A (для JAUD1) <ul style="list-style-type: none"> - Поддерживает USB 2.0 High speed audio
LAN	<ul style="list-style-type: none"> ■ 1x Killer E2205 Гигабитный Сетевой контроллер* <p>* Сетевой менеджер Killer применяется только для Windows 7 и Windows 8/ 8.1 в настоящее время. Драйверы для других операционных систем будут доступны на веб-сайте, при условии поддержки со стороны производителя ОС.</p>
Беспроводная ЛВС	<ul style="list-style-type: none"> ■ Модуль Killer Wireless 1525. <ul style="list-style-type: none"> - Поддерживает стандарты беспроводного соединения 2x2 802.11a/b/g/n/ac с расширенными возможностями - Поддерживает частоты 20/ 40МГц при 2.4ГГц и 20/ 40/ 80МГц при 5ГГц
Bluetooth	<ul style="list-style-type: none"> ■ Killer Wireless 1525 модуль. <ul style="list-style-type: none"> - Поддержка Bluetooth v4.1
Разъемы на задней панели	<ul style="list-style-type: none"> ■ 1x комбинированный порт PS/2 клавиатуры/ мыши ■ 2x порта USB 2.0 ■ 1x кнопка очистки данных CMOS ■ 6x портов USB 3.0 ■ 2x портов USB 3.1 ■ 1x порт LAN (RJ45) ■ 1x оптический разъем S/PDIF Выход ■ 1x порт HDMI ■ 1x DisplayPort ■ 6x OFC аудиоразъемов
Разъемы на плате	<ul style="list-style-type: none"> ■ 1x 24-контактный ATX основной разъем питания ■ 1x 8-контактный ATX 12В разъем питания ■ 8x разъемов SATA 6Гб/с ■ 1x порт M.2 ■ 2x разъема USB 2.0 (Поддержка 4 дополнительных портов USB 2.0) ■ 2x разъема USB 3.0 (Поддержка 4 дополнительных портов USB 3.0) ■ 2x 4-контактные разъемы вентилятора ЦП ■ 3x 4-контактные разъемы вентилятора системы ■ 1x разъем модуля TPM ■ 1x аудиоразъем на передней панели ■ 1x коннектор прямого питания Audio ■ 2x разъема панели системы ■ 1x разъем датчика открытия корпуса ■ 1x джампер очистки данных CMOS ■ 9x разъемов для замера напряжения ■ 1x кнопка питания ■ 1x кнопка сброса ■ 1x кнопка OC Genie ■ 1x переключатель Multi-BIOS ■ 1x джампер загрузки медленного режима ■ 1x переключатель питания Audio ■ 1x разъем модуля Wi-Fi/Bluetooth ■ 1x индикатор 2-значного код загрузки
Контроллер ввода-вывода	<ul style="list-style-type: none"> ■ NUVOTON NCT6792 Чип-контроллера

Hardware Монитор	<ul style="list-style-type: none"> ■ Детектирование температуры CPU/Системы ■ Детектирование скорости вентилятора CPU/Системы ■ Контроль скорости вентилятора CPU/Системы
Функции BIOS	<ul style="list-style-type: none"> ■ 2x 64 Мб флэш ■ Мультиязычный интерфейс БИОС ■ ACPI 5.0, PnP 1.0a, SM BIOS 2.7, DMI 2.0 ■ Multi-язык
Особенные функции	<ul style="list-style-type: none"> ■ Audio Boost 2 ■ Military Class 4 ■ OC Genie 4 ■ Click BIOS 4 ■ NVIDIA SLI ■ AMD CrossFire ■ Sound Blaster Cinema 2 ■ Easy Button ■ V-Check Points ■ Clear CMOS Button ■ Total Fan Control ■ Gaming Device Port ■ Super Charger ■ Smart Utilities ■ Wi-Fi ■ Bluetooth ■ Command Center ■ ECO Center
Программное обеспечение	<ul style="list-style-type: none"> ■ Драйверы ■ MSI <ul style="list-style-type: none"> - Command Center - Live Update 6 - Smart Utilities - Super Charger - Fast Boot - ECO Center - MSI Gaming APP ■ 7-ZIP ■ Intel Extreme Tuning Utility ■ Norton Internet Security Solution ■ Sound Blaster Cinema 2 ■ XSplit Gamecaster ■ Killer Network Manager
Форм-фактор	<ul style="list-style-type: none"> ■ ATX ■ 12 дюймов x 9.6 дюймов (30.5 см x 24.4 см)

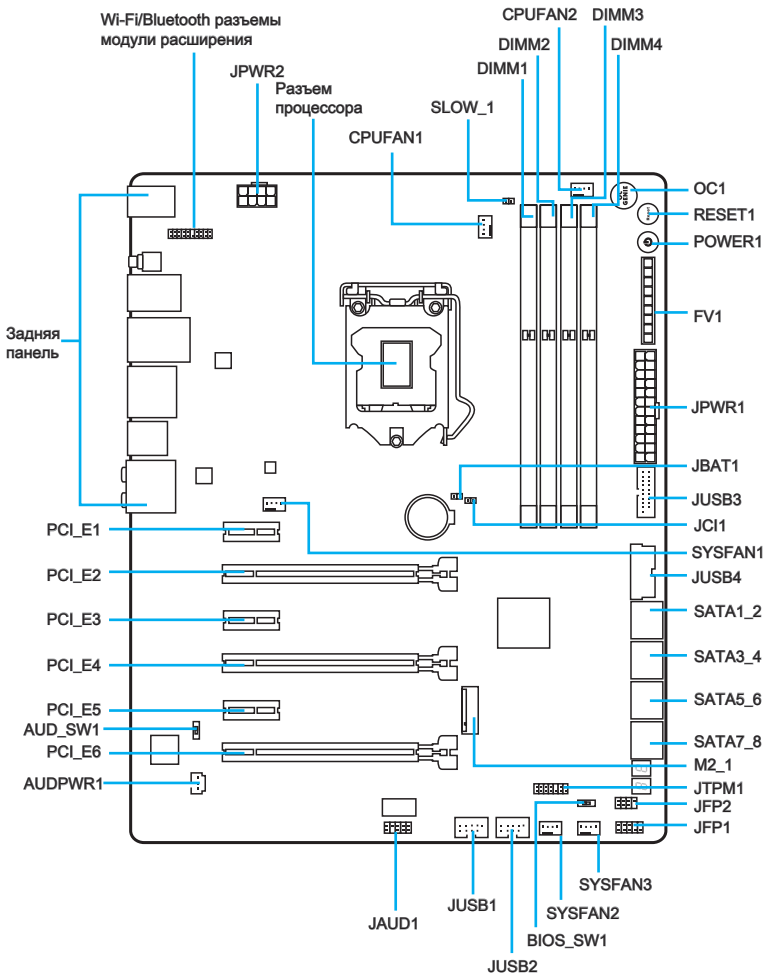


Последние сведения о поддержке процессора можно получить по адресу
<http://www.msi.com/cpu-support/>



Дополнительные сведения о совместимых компонентах можно получить по адресу
<http://www.msi.com/test-report/>

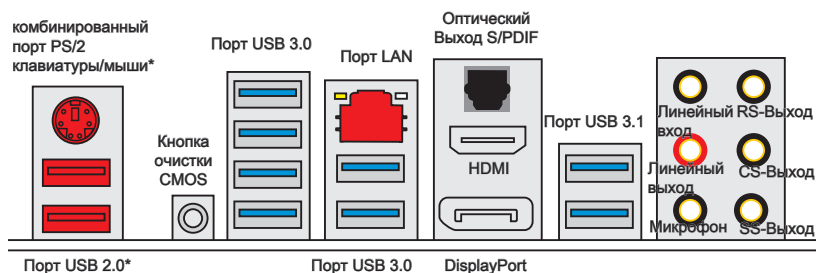
Краткое руководство по разъемам



Справочное руководство по разъемам

Наименование порта	Тип порта	Страница
AUDPWR1	Коннектор прямого питания Audio	Ru-23
AUD_SW1	Переключатель питания Audio	Ru-30
Разъемы на задней панели	Порты ввода / вывода	Ru-7
BIOS_SW1	Переключатель Multi-BIOS	Ru-29
CPU	Разъем LGA1150 CPU	Ru-9
CPUFAN1~2,SYSFAN1~3	Разъемы питания вентиляторов	Ru-19
DIMM1~4	Слоты для модулей памяти DDR3	Ru-13
FV1	V-Check разъемы	Ru-25
JAUD1	Аудиоразъем на передней панели	Ru-23
JBAT1	Джампер очистки данных CMOS	Ru-28
JCI1	Разъем датчика открытия корпуса	Ru-22
JFP1, JFP2	Разъемы передней панели	Ru-20
JPWR1~2	Разъемы питания ATX	Ru-15
JTPM1	Разъем модуля TPM	Ru-24
JUSB1~2	Разъемы расширения USB 2.0	Ru-21
JUSB3~4	Разъемы расширения USB 3.0	Ru-22
M2_1	Порт M.2	Ru-24
OC1	Кнопка OC Genie	Ru-26
PCI_E1~6	Слоты расширения PCIe	Ru-16
POWER1	Кнопка питания	Ru-27
RESET1	Кнопка сброса	Ru-27
SATA1~8	Разъемы SATA	Ru-18
SLOW_1	Джампер загрузки медленного режима	Ru-28

Краткое руководство по работе с задней панелью



* Порт игрового устройства.

► Комбинированные порты PS/2 клавиатуры/мыши

Комбинированный разъем DIN PS/2® для подключения мыши/клавиатуры с интерфейсом PS/2®.

► Кнопка очистки данных CMOS

На плате установлена CMOS-память с питанием от внешней батареи, хранящая данные о конфигурации системы. С помощью памяти CMOS операционная система (ОС) автоматически загружается каждый раз при включении. Если у вас возникает необходимость сбросить конфигурацию системы (очистить данные CMOS), воспользуйтесь этой кнопкой.

► Порт USB 2.0

Порт USB 2.0 предназначен для подключения USB 2.0-устройств, таких как клавиатура, мышь и другие USB 2.0-совместимые устройства.

► Порт USB 3.0

Порт USB 3.0 обратно совместим с устройствами USB 2.0. Поддержка передачи данных со скоростью до 5 Гбит/с (SuperSpeed).

► Порт USB 3.1

Порт USB 3.1 обратно совместим с устройствами USB 3.0/ 2.0. Поддержка передачи данных со скоростью до 10 Гбит/с (SuperSpeed USB 10 Гбит/с).



Внимание

Для использования устройств USB 3.0/ 3.1 их следует подключать к порту USB 3.0/ 3.1. Используемый USB-кабель должен быть совместим со стандартом USB 3.0/ 3.1.

► Порт LAN

Стандартный разъем RJ-45 для подключения к локальной вычислительной сети (LAN).

	Индикатор	Состояние индикатора	Описание
	Link/ Activity LED (Подключение/ Работа индикатора)	Выкл.	Не подключен
		Желтый	Подключен
		Мигает	Передача данных
	Speed LED (Скорость передачи данных)	Выкл.	10 Мбит/с подключение
		Зеленый	100 Мбит/с подключение
Оранжевый		1 Гбит/с подключение	

► Оптический выход S/PDIF

Разъем S/PDIF (цифровой интерфейс Sony/Philips) предназначен для передачи цифрового аудио на внешние громкоговорители через оптоволоконный кабель.



► Порт HDMI

Мультимедийный интерфейс высокой четкости (HDMI) представляет собой полностью цифровой аудио- видеоинтерфейс, позволяющий передавать несжатые потоки данных. Интерфейс HDMI обеспечивает передачу ТВ-сигнала по одному кабелю в любом формате, включая телевидение стандартной, повышенной и высокой четкости, а также многоканальный цифровой звук.

► DisplayPort

DisplayPort — это цифровой интерфейс для подключения монитора. Данный разъем используется для подключения монитора с разъемом DisplayPort.



Внимание

Данная платформа поддерживает функцию *dual-display* (два дисплея).

	HDMI+DisplayPort
Режим расширения (Расширение рабочего стола на второй монитор)	○
Режим «клонирование» (Изображения на мониторах совпадают)	○

► Аудиоразъемы

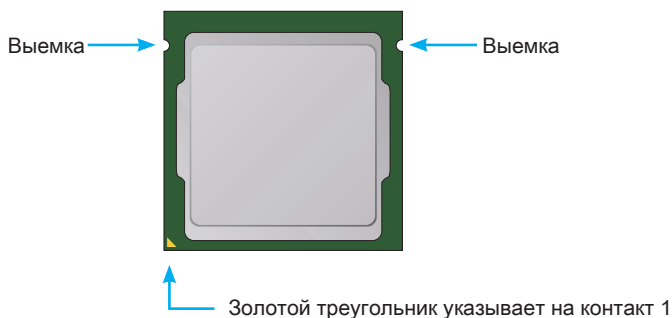
Эти разъемы используются для подключения аудиоустройств. Цвет гнезда определяет функцию разъема.

- Линейный вход: Служат для подключения внешних источников звукового сигнала.
- Линейный выход: Разъем для подключения динамиков или наушников.
- Микрофон: Разъем для подключения микрофона.
- Выход RS-Out: Выход на задние колонки пространственного звука в режиме 4/ 5.1/ 7.1.
- Выход CS-Out: Выход на центральную колонку и сабвуфер в режиме 5.1/ 7.1.
- Выход SS-Out: Выход на боковые колонки пространственного звука в режиме 7.1.

ЦП (центральный процессор)

Процессор LGA 1150

На поверхности процессора LGA 1150 имеются два знака совмещения и золотой треугольник для правильной установки процессора относительно материнской платы. Золотой треугольник указывает на контакт 1.



Внимание

Перегрев

Перегревание может привести к серьезному повреждению процессора и материнской платы. Всегда проверяйте работоспособность вентилятора для защиты процессора от перегрева. При установке вентилятора нанесите ровный слой термопасты (или термоленту) между ЦП и вентилятором для увеличения теплопередачи.

Замена ЦП

При замене процессора всегда отключайте блок питания системы и вынимайте шнур питания из розетки, чтобы избежать повреждения процессора.

Разгон

Эта системная плата разработана с учетом возможности «разгона». Перед выполнением разгона системы убедитесь в том, что все компоненты системы смогут выдержать разгон. Производитель не рекомендует использовать параметры, выходящие за пределы технических характеристик устройств. Гарантия MSI не распространяется на повреждения и другие возможные последствия ненадлежащей эксплуатации и несоблюдения технических характеристик изделия.

Установка ЦП и радиатора

При установке процессора обязательно установите радиатор ЦП. Радиатор ЦП предупреждает перегревание и обеспечивает стабильность работы системы. Ниже представлены инструкции по правильной установке процессора и радиатора ЦП. Неправильная установка приводит к выходу из строя процессора и материнской платы.



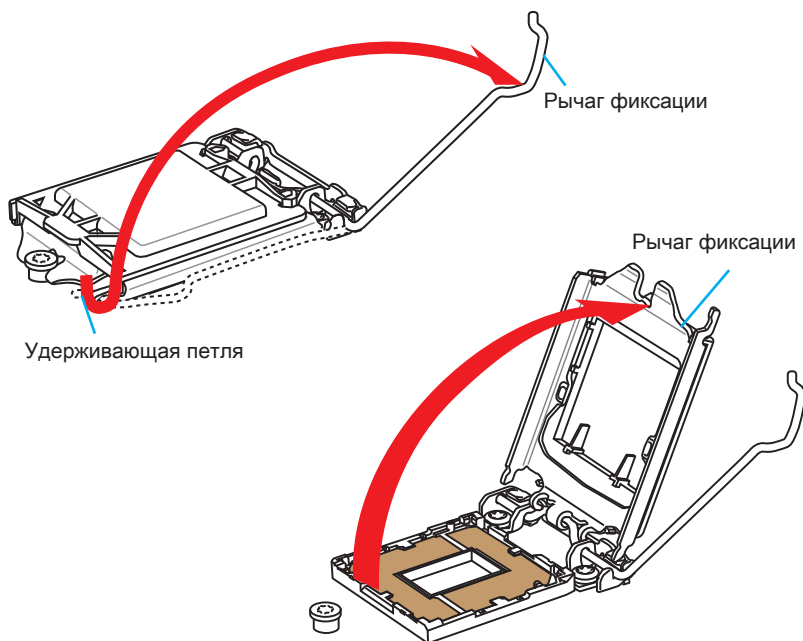
Видео Демонстрация

Смотрите видео, чтобы узнать как установить процессор и кулер:

<http://youtu.be/bf5La099url>



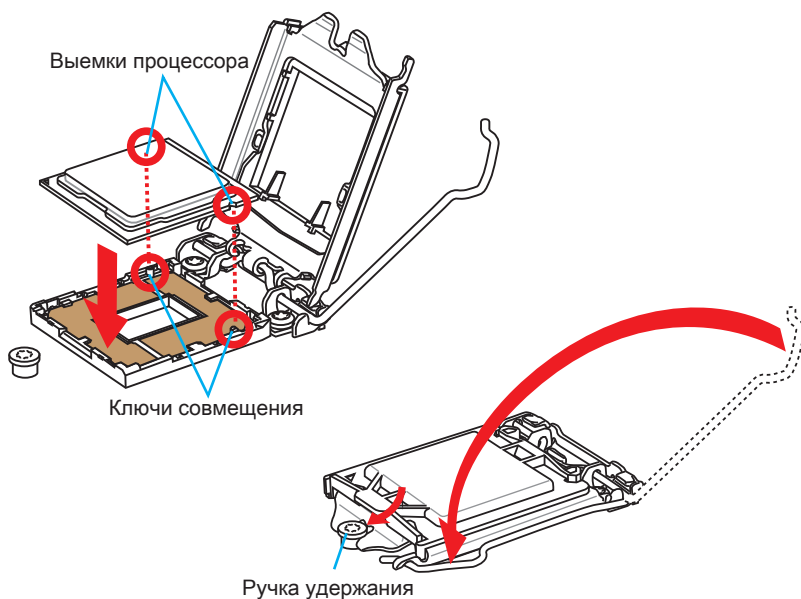
1. Отцепите и полностью поднимите рычаг фиксации.
2. При подъеме рычага фиксации автоматически поднимается прижимная пластина.



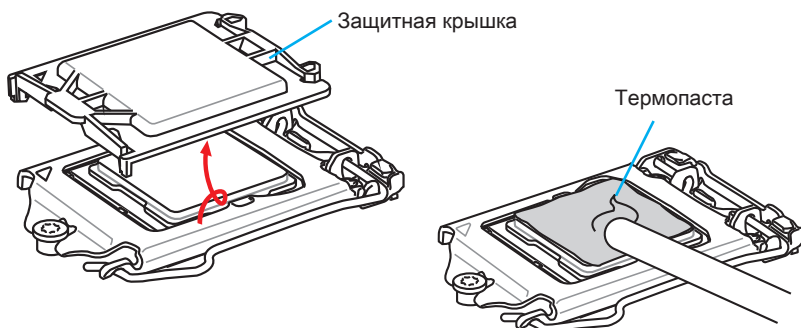
Внимание

Не трогайте контакты разъема или нижней части процессора.

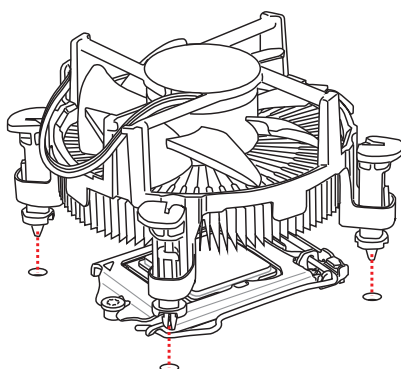
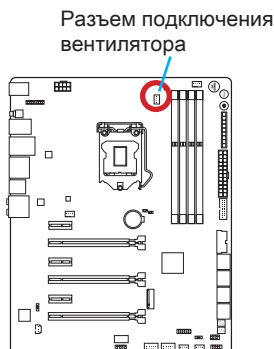
3. Совместите выемки на процессоре с ключами совмещения на сокете. Опустите процессор вниз без наклона. Движение процессора в сокете недопустимо. Проверьте надежность установки процессора в сокет.
4. Закройте и сдвиньте прижимную пластину под ручку удержания. Закройте и зацепите рычаг фиксации.



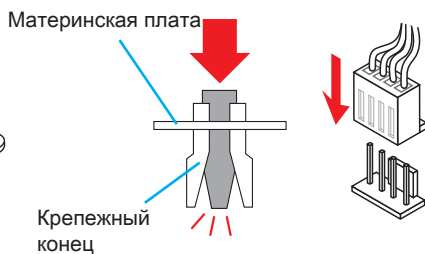
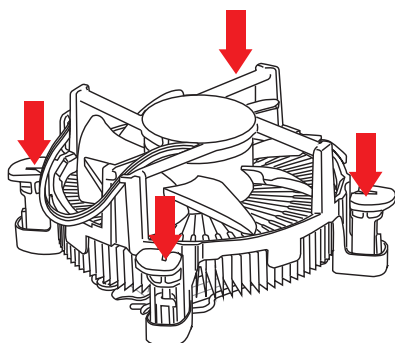
5. При нажатии на рычаг фиксации защитная крышка автоматически выскочит из гнезда процессора. Не выбрасывайте защитную крышку. Всегда устанавливайте защитную крышку, если процессор вынимается из сокета.
6. Равномерно нанесите тонкий слой термопасты (или термоленту) на верхнюю крышку процессора. Это позволит увеличить теплопередачу и предотвратит перегрев процессора.



7. Найдите разъем для подключения вентилятора ЦП на материнской плате.
8. Установите кулер на материнскую плату, направив его кабель в сторону разъема для подключения вентилятора.



9. Нажмите на радиатор сверху так, чтобы закрепить четыре защелки в отверстиях на материнской плате. Нажмите на защелки для закрепления вентилятора. Каждая из защелок фиксируется с характерным щелчком.
10. Осмотрите материнскую плату и определите правильность закрепления зажимов.
11. И, наконец, подключите кабель вентилятора процессора к разъему вентилятора на системной плате.

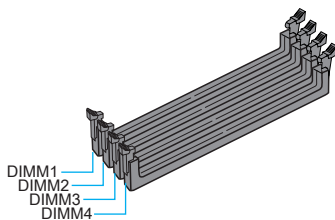
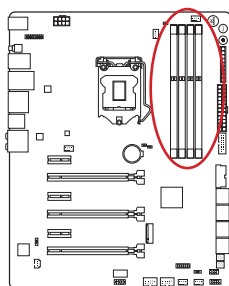


Внимание

- Перед включением системы проверьте герметичность соединения между процессором и радиатором.
- Если процессор не установлен, всегда защищайте контакты процессорного сокета пластиковой крышкой.
- Если вы приобрели отдельно процессор и процессорный кулер, подробное описание установки см. в документации в данному кулеру.

Память

Разъемы DIMM предназначены для установки модулей памяти.



Видео Демонстрация

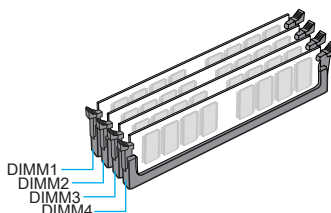
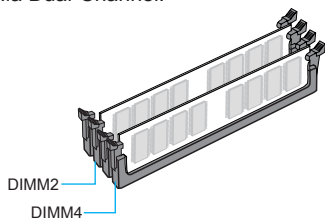
Смотрите видео, чтобы узнать как установить память.

<http://youtu.be/76yLtJaKICQ>



Правила заполнения гнезд при использовании двухканального режима Dual-Channel

В двухканальном режиме модули памяти могут одновременно передавать и получать данные по двум каналам шины. Включение двухканального режима Dual-Channel может повысить производительность системы. На рисунках ниже показаны правила заполнения гнезд памяти при использовании двухканального режима Dual-Channel.

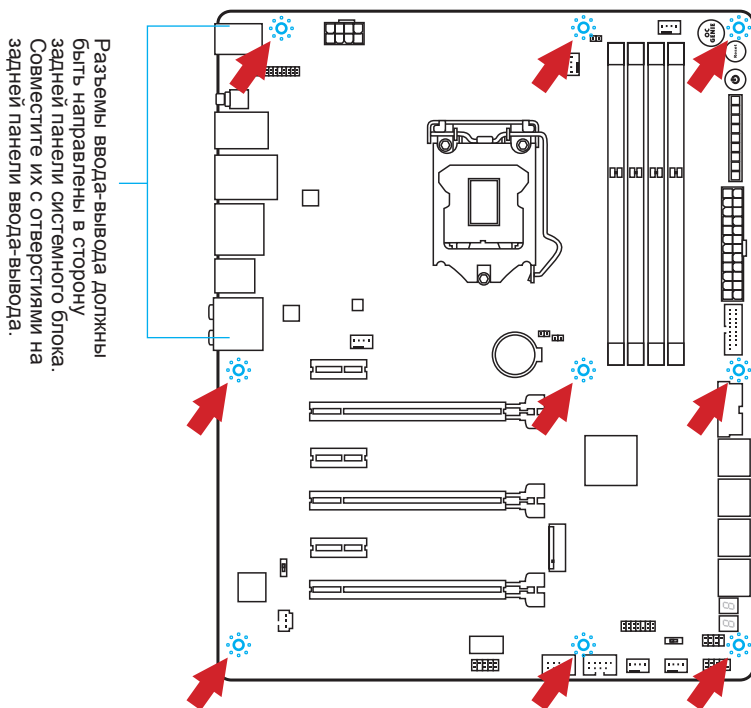


Внимание

- Модули DDR3 не взаимозаменяемы с модулями DDR2, стандарт DDR3 не поддерживает обратную совместимость. Модули памяти DDR3 следует устанавливать в разъемы DDR3 DIMM.
- Для обеспечения стабильной работы системы в двухканальном режиме устанавливаются модули памяти одинакового типа и емкости.
- В связи со спецификой использования ресурсов микропроцессора, при установке модулей памяти емкостью 8 ГБ во все разъемы DIMM системная память определяется только до 31+ ГБ (неполные 32 ГБ).

Отверстия под установочные винты

Для установки материнской платы на монтажной плате системного блока сначала установите необходимые установочные стойки. Если в комплект поставки системного блока входит задняя панель ввода-вывода, замените ее задней панелью ввода-вывода, которая поставляется с материнской платой. Задняя панель ввода-вывода без труда устанавливается в системном блоке компьютера без применения винтов. Совместите установочные стойки монтажной платы с отверстиями под установочные винты на материнской плате и закрепите материнскую плату винтами, которые поставляются вместе с системным блоком. Ниже показано расположение отверстий под установочные винты. Дополнительную информацию см. в руководстве к системному блоку.



Внимание

- Обратите внимание, перед установкой системной платы в корпус необходимо удалить гайки крышки ввода-вывода на задней стороне материнской платы.
- Положите материнскую плату на ровную и чистую поверхность.
- Во избежание повреждения материнской платы, закрепляйте электронные компоненты на установочных стойках, избегая их соприкосновения с системным блоком.
- Проверьте надежность крепления всех металлических компонентов на материнской плате или внутри системного блока. Незакрепленные детали могут привести к короткому замыканию материнской платы.

Электроснабжение



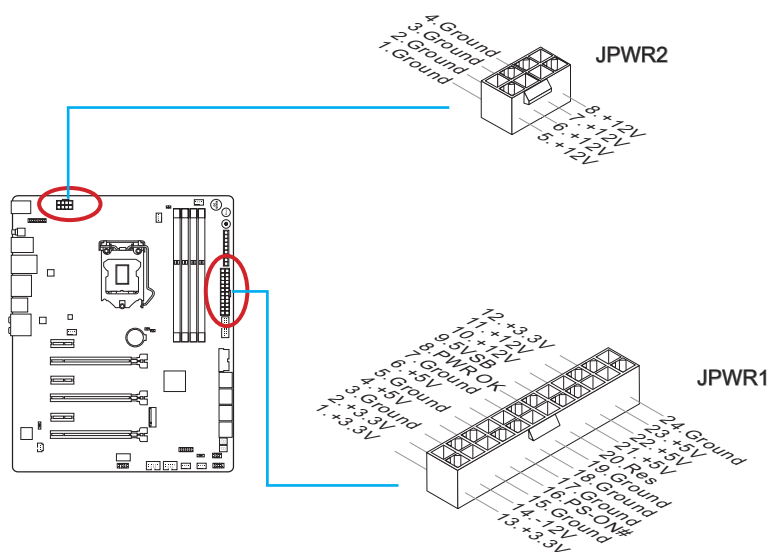
Видео Демонстрация

Смотрите видео, чтобы узнать как установить разъем питания.
http://youtu.be/gkDYyR_8314



JPWR1~2: Разъемы питания ATX

Эти разъемы предназначены для подключения разъема питания ATX. Для подключения ATX разъема питания совместите кабель питания с разъемом и прочно закрепите его. При правильном выполнении подключения защелка на кабеле питания закрепляется в силовом разъеме материнской платы.



Внимание

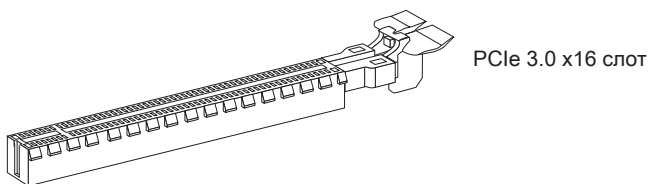
Для обеспечения стабильной работы системной платы проверьте надежность подключения всех кабелей питания к соответствующему блоку питания ATX.

Слоты расширения

Данная материнская плата содержит множество разъемов для установки плат расширения, в частности, дискретных видеокарт или звуковых карт.

PCI_E1~6: Слоты Расширения PCIe

Слот PCIe поддерживает платы расширения с интерфейсом PCIe.



Внимание

Перед установкой или извлечением плат расширения убедитесь, что шнур питания отключен от электрической сети. Прочтите документацию на карту расширения и выполните необходимые дополнительные аппаратные или программные изменения для данной карты.

Видео/ Установка дискретной видеокарты

По умолчанию, данная плата использует графическое ядро интегрированное в CPU, но Вы так же можете значительно повысить графическую производительность системы, путем добавление одной или нескольких дискретных видеокарт в слоты расширения. Для лучшей совместимости рекомендуется использовать графические карты MSI.



Видео Демонстрация

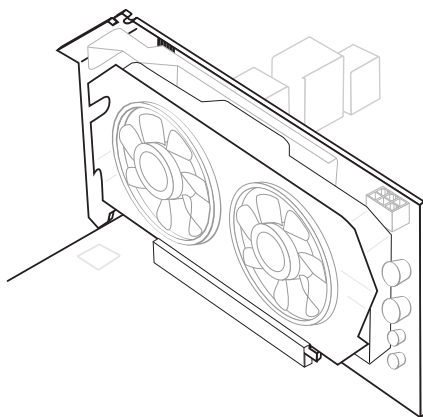
Смотрите видео, чтобы узнать как установить видеокарту на слоте PCIe x16 с замком.

http://youtu.be/mG0GZpr9w_A



Установка одной видеокарты

1. Определите тип слота расширения, который используется видеокартой. Найдите соответствующий слот(ы) на материнской плате. Выньте защитную крышку слота(ов) расширения из корпуса системного блока.
2. Расположите видеокарту над слотом(ами) для расширения так, чтобы порты подключения мониторов были направлены ко внешней стороне системного блока. Для установки одной видеокарты рекомендуется использовать слот PCI_E2.
3. Вставьте видеокарту в слот(ы) расширения. В случае правильной установки карты, защелка(и) на слоте(ах) расширения должны защелкнуться.
4. При необходимости, прикрутите видеокарту к корпусу системного блока винтом. Для некоторых видеокарт требуется подключение непосредственно к блоку питания отдельным кабелем.
5. Дополнительные инструкции по установке драйверов и настройке специальных параметров представлены в руководстве пользователя к видеокарте.



Внутренние разъемы

SATA1~8: Разъемы SATA

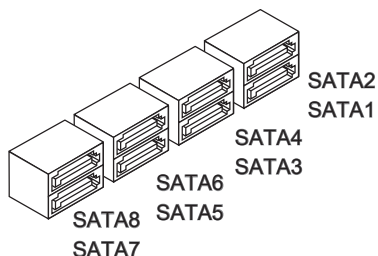
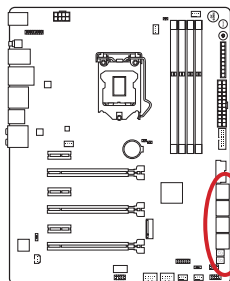
Данный разъем является высокоскоростным интерфейсом SATA. К любому разъему SATA можно подключить одно устройство SATA. К устройствам SATA относятся жесткие диски, твердотельные накопители и накопители на оптических дисках (компакт-диски/ DVD-диски/ Blu-Ray-диски).



Видео Демонстрация

Смотрите видео, чтобы узнать как установить SATA жесткие диски.

<http://youtu.be/RZsMpqxyltc>



SATA1~6 (6Гб/с, на основе Intel® Z97)

SATA7~8 (6Гб/с, на основе ASMedia® ASM1061)

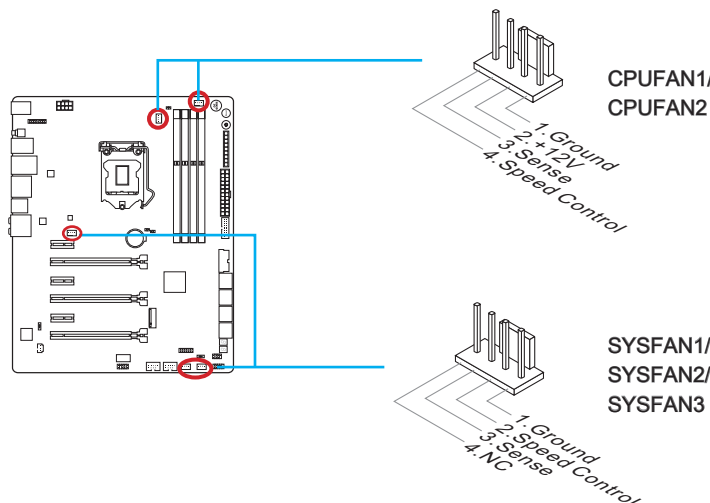


Внимание

- Порты SATA5 и SATA6 будут недоступны при установке модуля в порт M.2.
- Многие устройства SATA требуют подключения к источнику питания с помощью кабеля питания. К таким устройствам относятся жесткие диски, твердотельные накопители и накопители на оптических дисках (компакт-диски/ DVD-диски/ Blu-Ray-диски). Дополнительную информацию можно получить в руководствах к соответствующим устройствам.
- Во многих системных блоках устройства SATA большого размера (в том числе, жесткие диски, твердотельные накопители и накопители на оптических дисках) прикрепляются с помощью винтов. Дополнительные инструкции по установке см. в руководствах к системному блоку или устройству SATA.
- Избегайте перегибов кабеля SATA под прямым углом. В противном случае, возможна потеря данных при передаче.
- Кабели SATA оснащены одинаковыми вилками с обеих сторон. Однако для экономии занимаемого пространства рекомендуется к материнской плате подключать плоский разъем.

CPUFAN1~2, SYSFAN1~3: Разъемы питания вентиляторов

Разъемы питания вентиляторов поддерживают вентиляторы с питанием +12 В. Если на системной плате установлена микросхема аппаратного мониторинга, необходимо использовать специальные вентиляторы с датчиками скорости для использования функции управления вентиляторами. Обязательно подключите все системные вентиляторы. Некоторые системные вентиляторы невозможно подключить к материнской плате. Вместо этого они подключаются к источнику питания напрямую. Системные вентиляторы подключаются к свободным разъемам для вентиляторов.



Внимание

- Для получения кулеров, рекомендованных для охлаждения процессора, обратитесь на официальный веб-сайт производителя процессора или к местному поставщику.
- Эти разъемы поддерживают функцию управления скоростью вращения вентиляторов в линейном режиме. Установите утилиту *Command Center* для автоматического управления скоростью вращения вентиляторов в зависимости от температуры процессора и системы.
- В том случае, если на материнской плате не достаточно разъемов для подключения всех системных вентиляторов, вентиляторы подключают напрямую к источнику питания с помощью переходника.
- Перед первой загрузкой проверьте, чтобы кабели не мешали вращению вентиляторов.

JFP1, JFP2: Разъемы панели системы

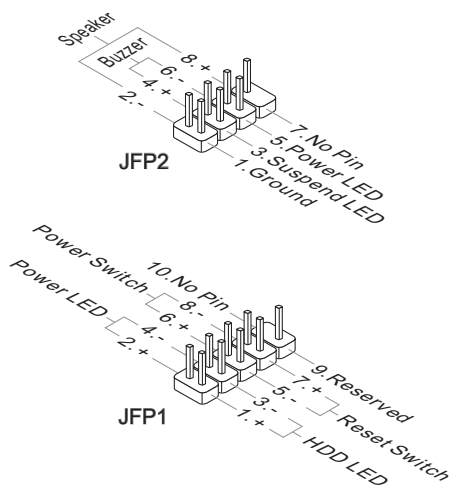
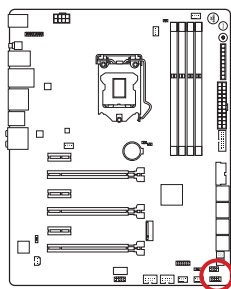
Эти разъемы служат для подключения кнопок и светодиодных индикаторов, расположенных на передней панели. Разъем JFP1 соответствует стандарту Intel® Front Panel I/O Connectivity Design. При установке разъемов передней панели для удобства используются переходники и кабели, входящие в комплект поставки. Подключите все провода системного блока к разъемам, а затем подключите разъемы к материнской плате.



Видео Демонстрация

Смотрите видео, чтобы узнать как подключить разъемы передней панели.

<http://youtu.be/DPELIdVNZUI>

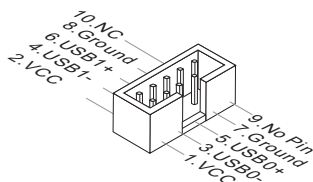
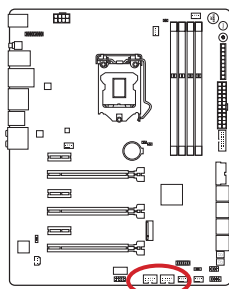


Внимание

- На разъемах, выходящих из системного блока, плюсовым проводам соответствуют контакты, обозначенные небольшими треугольниками. Для определения правильности направления и расположения служат вышеуказанные схемы и надписи на дополнительных разъемах.
- Большинство кнопок, расположенных на передней панели системного блока, подключены к разъему JFP1.

JUSB1~2: Разъемы расширения USB 2.0

Этот разъем служит для подключения таких высокоскоростных периферийных устройств, как жесткие диски с интерфейсом USB, цифровые камеры, MP3 плееры, принтеры, модемы и т. д.



Разъем JUSB1 (**красный значок**) поддерживает новую технологию SuperCharger от компании MSI, которая обеспечивает ускоренную зарядку сотового телефона или другого устройства, подключаемого к разъему USB. Для активации этой функции установите приложение MSI SuperCharger в свой компьютер. При включении приложения SuperCharger разъем JUSB1 преобразует каналы данных в каналы дополнительной мощности для быстрой зарядки подключенного устройства. Обратите внимание на то, что при включении приложения SuperCharger передача и синхронизация данных через разъем JUSB1 не выполняется. Для переключения разъема JUSB1 в режим обычного разъема USB 2.0 отключите приложение SuperCharger. При переходе компьютера в режим ожидания или «сна» (S3/ S4/ S5) режим SuperCharger включается автоматически.



Видео Демонстрация

Смотрите видео, чтобы узнать как заряжать смартфон с Super-Charger.

<http://youtu.be/FCyvj5NbOw>

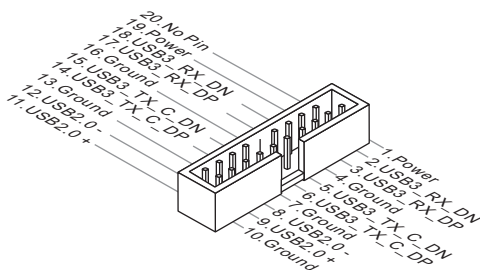
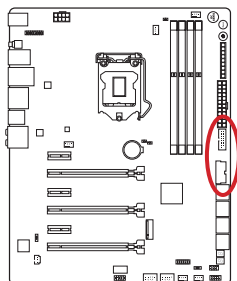


Внимание

- Помните, что во избежание повреждений необходимо правильно подключать контакты VCC и GND.
- Чтобы обеспечить устойчивость зарядки, к каждому разъему USB подключайте не более одного устройства.
- Технология SuperCharger доступна только в нескольких моделях материнских плат MSI. На веб-сайте MSI представлен перечень материнских плат, поддерживающих технологию SuperCharger.
- Для устройств iPad, через разъем JUSB1 (**красный значок**) также возможна зарядка в режимах S3, S4, S5.
- Не рекомендуется отключать устройство от разъема при зарядке в режиме S1.

JUSB3~4: Разъемы расширения USB 3.0

Порт USB 3.0 обратно совместим с устройствами USB 2.0. Он поддерживает скорость передачи данных до 5 Гбит/с(SuperSpeed).

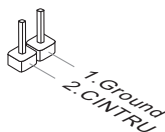
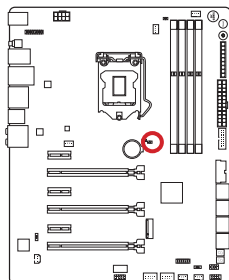


Внимание

- Помните, что во избежание повреждений необходимо правильно подключать контакты VCC и GND.
- Для использования устройства USB 3.0 подключите к разъему USB 3.0 с помощью кабеля USB 3.0 (приобретается дополнительно).

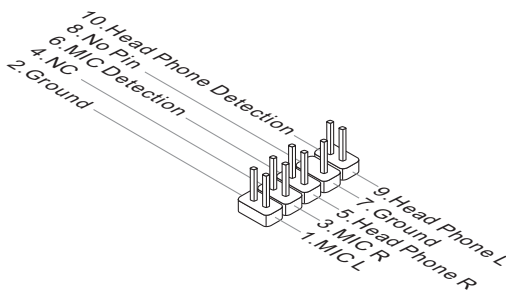
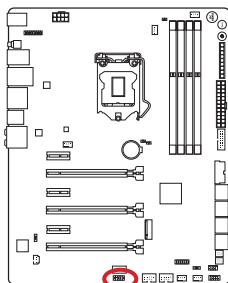
JCI1: Разъем датчика открытия корпуса

К этому разъему подключается кабель датчика, установленного в корпусе. Этот датчик срабатывает при вскрытии системного блока. Система запоминает это событие и выдает предупреждение на экран. Для отключения предупреждения необходимо удалить записанное событие в настройках BIOS.



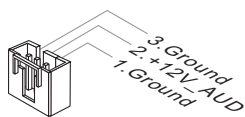
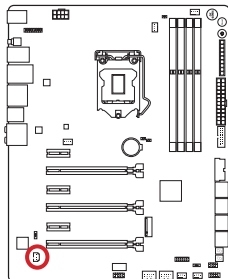
JAUD1: Аудиоразъем на передней панели

Этот разъем служит для подключения аудиоразъема на передней панели системного блока.



AUDPWR1: Коннектор прямого питания Audio

Данный коннектор обеспечивает прямое питание аудио портов задней панели. Прямое подключение питания позволяет получить более высокое качество звука. Пожалуйста, подключите данный разъем к источнику питания при помощи звукового адаптера питания.

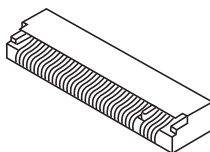
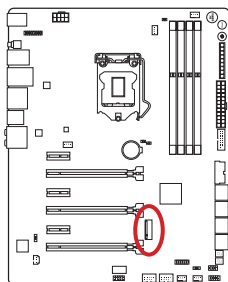


Внимание

После подключения питания к этому разъему, обратите внимание, переключатель питания (AUD_SW1) «Прямое питание Audio» должен быть в положении «ВКЛ».

M2_1: Порт M.2

Порт M.2 поддерживает как модули M.2 SATA, так и модули M.2 PCIe.

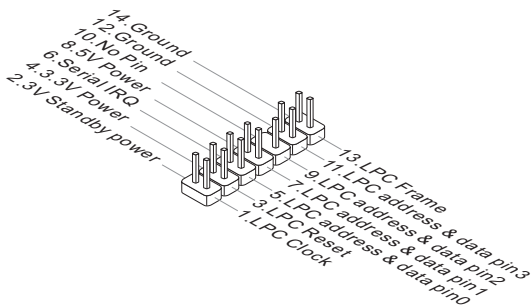
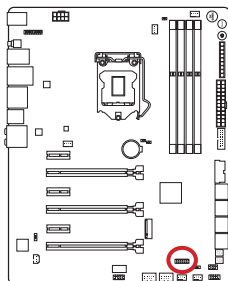


Внимание

- Порты SATA5 и SATA6 будут недоступны при установке модуля в порт M.2.
- Intel RST не поддерживает PCIe M.2 SSD и Legacy ROM.
- Интерфейс M.2 PCIe не поддерживает RAID 0, RAID 1, RAID 5 и RAID 10.

JTPM1: Разъем модуля TPM

Данный разъем подключается к модулю TPM (Trusted Platform Module).
Дополнительные сведения см. в описании модуля безопасности TPM.

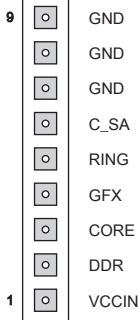
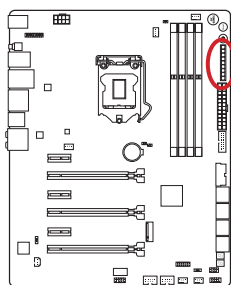


Замер напряжения

Данные разъемы для замера напряжения используются для измерения текущих значений напряжения в системе. Для замера напряжения потребуется мультиметр (приобретаемый отдельно).

FV1: Разъем для замера напряжения

Для замера напряжения используются дополнительные кабели для замера напряжения, входящие в комплект поставки материнской платы. Прикрепите положительный провод мультиметра к кабелю для замера напряжения, а отрицательный провод к разъему заземления.



Коннектор	Описание
GND (контакт 7~9)	Земля
C_SA (контакт 6)	Напряжение CPU_SA (CPU System Agent)– напряжение, которое подается на интегрированную память контроллера внутри процессора.
RING (контакт 5)	CPU Ring-интерфейс для интегрированного контроллера внутри процессора. Напряжение CPU Ring может повлиять на производительность разгона процессора.
GFX (контакт 4)	Напряжение CPU_GFX – напряжение, которое подается на интегрированный графический процессор, расположенный на процессоре.
CORE (контакт 3)	Напряжение CPU core0. Напряжение, которое подается на ядро процессора. Для обеспечения стабильной работы системы при сильном разгоне может потребоваться повышение напряжения ядра процессора.
DDR (контакт 2)	Напряжение памяти. Напряжение модуля памяти DDR – напряжение, которое подается на модули памяти DDR на материнской плате. Для поддержания стабильной работы системы при более низких таймингах памяти может потребоваться более высокое напряжение.
VCCIN (контакт 1)	Входное напряжение CPU VCC является источником напряжений процессора, используется для питания различных блоков процессора.

Кнопки

На материнской плате расположено несколько кнопок для управления различными функциями. В данном разделе описано изменение параметров системной платы с помощью этих кнопок.

OC1: Кнопка OC Genie

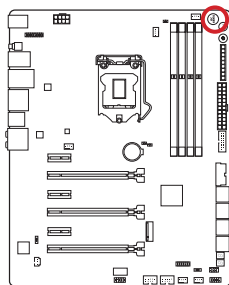
Эта кнопка предназначена для автоматического «разгона» системы. Для включения OC Genie нажмите на эту кнопку, когда система находится в выключенном режиме. При следующей загрузке процессор будет автоматически разогнан для оптимальной производительности. Для выключения OC Genie нажмите на эту кнопку еще раз, когда система находится в выключенном состоянии. Конфигурационные параметры при этом возвращаются к нормальным значениям.



Видео Демонстрация

Смотрите видео, чтобы узнать как использовать кнопку OC Genie.

<http://youtu.be/nlpRvWkUazg>



On



Off

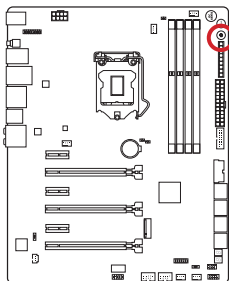


Внимание

- Данная материнская плата поддерживает два способа включения OC Genie: нажмите кнопку OC Genie на материнской плате или щелкните виртуальную кнопку OC Genie в BIOS. Вы можете настроить режим включения OC Genie с помощью «OC Genie Function Control» в BIOS.
- Для использования функции OC Genie рекомендуется установить память DDR3 1333 или более быструю, а также использовать более эффективные системы охлаждения.
- Производитель не несет ответственности за эффективность применения функции OC Genie, а также за риски и возможный ущерб в результате выполнения разгона.
- Функцию OC Genie можно отключить в настройках BIOS. Инструкции по отключению функции OC Genie из BIOS представлены в разделе BIOS руководства пользователя.
- Ответственность за применение функции OC Genie и его последствия несет пользователь. Компания MSI никогда не гарантирует успешность и результаты «разгона» системы.
- Для успешной работы функции OC Genie рекомендуется использовать компоненты MSI.

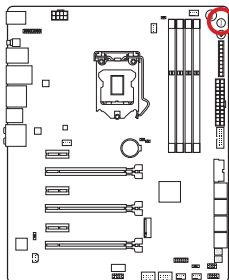
POWER1: Кнопка питания

Эта кнопка предназначена для включения и выключения системы. Нажмите на кнопку один раз для включения или выключения системы.



RESET1: Кнопка перезагрузки

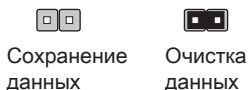
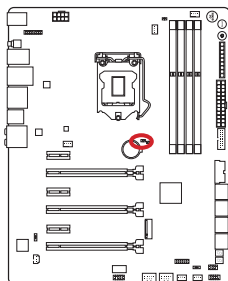
Эта кнопка предназначена для перезагрузки системы. Нажмите на нее для сброса системы.



Джампер

JBAT1: Джампер очистки данных CMOS

На плате установлена CMOS память с питанием от батарейки для хранения данных о конфигурации системы. С помощью памяти CMOS операционная система (ОС) автоматически загружается каждый раз при включении. Для сброса конфигурации системы (очистки данных CMOS памяти), воспользуйтесь этой перемычкой.

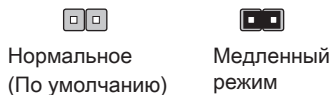
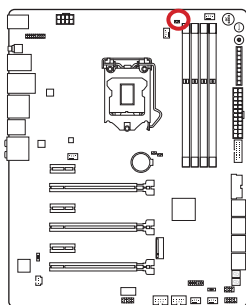


Внимание

Очистка CMOS памяти производится замыканием указанных контактов перемычкой при выключенной системе. После выполнения очистки разомкните перемычку. Очистка CMOS памяти во время работы системы не допустима, т.к. это приведет к выходу материнской платы из строя.

SLOW_1: Джампер загрузки медленного режима

Этот джампер используется для решения охлаждения LN2, который обеспечивает экстремальное условие разгона, для загрузки при стабильной частоте процессора и предотвращения системы от сбоя.



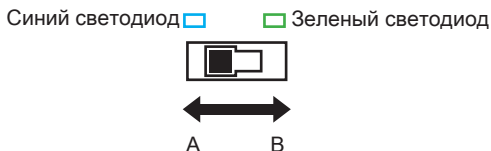
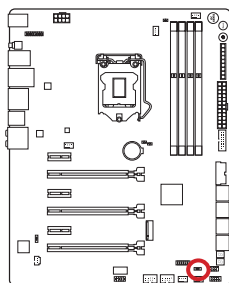
Внимание

На свой страх и риск, пользователи попытаются произвести разгон при экстремально низких температурах. Результаты разгона могут различаться от модели процессора.

Переключатели

BIOS_SW1: Переключатель Multi-BIOS Switch

Данная системная плата имеет два встроенных модуля BIOS ROM (с метками A и B, по умолчанию используется BIOS ROM с меткой A). В случае если один из них поврежден, у пользователя есть возможность перейти на запасной модуль с помощью переключателя.



Восстановление BIOS при помощи AFUDOS

В случае “неудачного” обновления BIOS, когда система перестала загружаться, вы можете восстановить BIOS, следуя инструкции ниже.

Необходимо приготовить:

1. Приготовьте загрузочную USB флэшку.
2. Скачайте и разархивируйте с официального сайта MSI www.msi.com последнюю версию BIOS.
3. Скопируйте файл BIOS и AFUDE238.exe на загрузочную USB флэшку.

Пошаговая инструкция восстановления BIOS:

1. Полностью обесточьте систему.
2. Переведите переключатель Multi-BIOS в положение, соответствующее рабочему BIOS ROM.
3. Вставьте заранее подготовленную, загрузочную USB флэшку в USB порт.
4. Загрузите систему с загрузочной USB флэшки.
5. Переведите переключатель Multi-BIOS в положение, соответствующее нерабочему BIOS ROM.
6. Примените следующую команду для восстановления BIOS: Например: `AFUDE238 EXXXXIMS.XXX`
7. После завершения перепрошивки, систему необходимо перезагрузить.

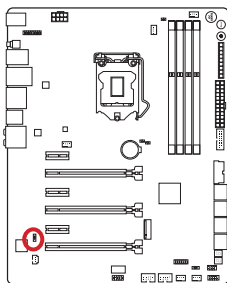


Внимание

Переключатель Multi-BIOS Switch разрешается использовать только после выключения питания компьютера.

AUD_SW1: Переключатель питания Audio

Данный переключатель определяет режим питания для аудио портов задней панели.



Встроенный режим
питания
(По умолчанию)



Режим прямого
питания



Внимание

- Перед переключением в "Режим прямого питания", убедитесь в том, что "Коннектор прямого питания Audio" (AUDPWR1) подключен к источнику питания.
- Не используйте переключатель питания audio, когда система находится во включенном состоянии, поскольку это может привести к повреждению материнской платы.

Световые индикаторы

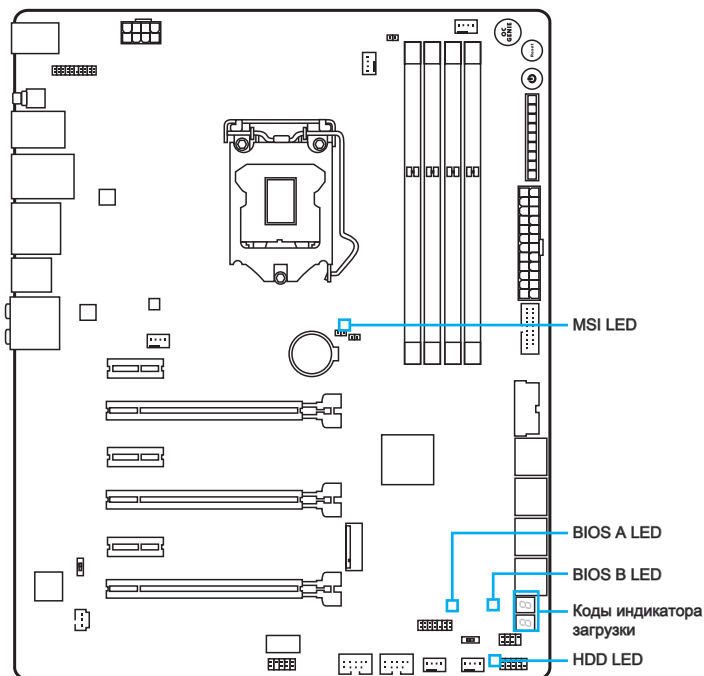


Таблица состояния индикатора

В следующей таблице описаны состояния светодиодных индикаторов.

Индикатор	Состояние индикатора	Описание
MSI LED	Вкл.	Загрузка
HDD LED	Микает	Активация жесткого диска
BIOS A LED	Синий	BIOS A в эксплуатации
BIOS B LED	Зеленый	BIOS B в эксплуатации

Таблица кодов индикатора загрузки

Коды индикатора загрузки (Debug Code LED) перечислены в таблице ниже.

Код	Состояние
02,07	Включение питания Инициализация процессора
03,08	Включение питания Инициализация Северного моста
04,09	Включение питания Инициализация Южного моста
0B	Включение питания Инициализация кэша
11~14,32~36,56~5A	Предварительная инициализация процессора
15~18,37~3A	Предварительная инициализация Северного моста
19~1C,3B~3E	Предварительная инициализация Южного моста
1D~2F,31,3F~4E,50~55	Предварительная инициализация памяти
63~67,D0	Поздняя инициализация процессора
69~6F,D1	Поздняя инициализация Северного моста
70~77,D2	Поздняя инициализация Южного моста
92~96,B5,D4	Инициализация шины PCI
97,98,99,B2,D5~D7	Консольные устройства Ввода/Вывода/ Инициализация консоли и загрузка Option ROM (VGA, RAID, параллельные порты, последовательные порты.....)
9A~A7,B4	Встроенные устройства Инициализация и Обнаружение (USB/ SATA/ SCSI.....)
A8,A9,AB	Начало настройки. При необходимости/по запросу запуск программы BIOS setup.
AD/AE	Событие готовности к загрузке/Событие загрузки с Legacy устройств
Температура процессора	Полностью загрузить

Драйверы и утилиты

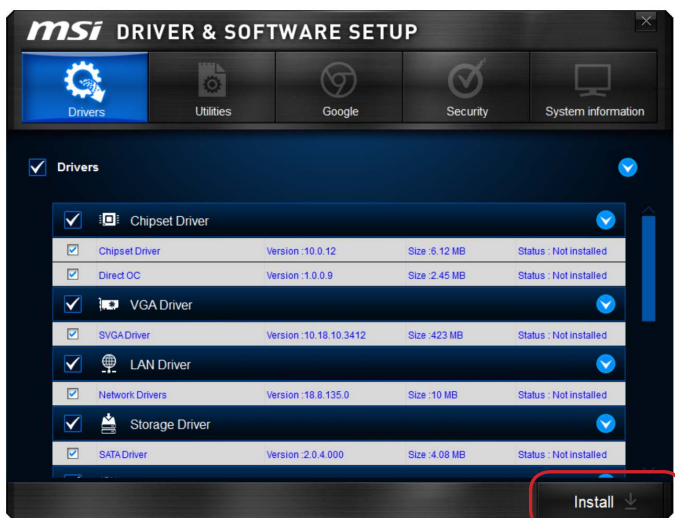
После установки операционной системы для достижения максимальной производительности собранного вами нового компьютера требуется установка драйверов. В комплект поставки системной платы MSI входит компакт-диск с драйверами (Driver Disc). Установка драйверов позволит использовать системную плату компьютера более эффективно, а также воспользоваться специальными функциями, которые мы предоставляем.

Вы можете защитить свой компьютер от вирусов, установив антивирусную программу защиты с данного диска. В комплект ПО включены также различные полезные и креативные утилиты.

Установка драйверы и утилит

Для установки драйверов и утилит на своем компьютере следуйте приведенным ниже указаниям.

1. Вставьте диск с драйверами MSI Driver Disc в привод для оптических дисков. Если в операционной системе включена функция автозапуска, автоматически отобразится утилита installer.
2. Утилита Installer автоматически найдет и перечислит все необходимые драйверы.
3. Нажмите кнопку **Install**.



Нажмите здесь

4. Начнется установка программ, а после ее завершения будет предложено перезапустить систему.
5. Нажмите кнопку **ОК** для завершения.
6. Перезапустите компьютер.

Для установки утилит можно использовать этот же способ.

Настройка BIOS

Утилита CLICK BIOS от MSI обеспечивает графический интерфейс пользователя для установки параметров BIOS с помощи мыши и клавиатуры.

С помощью утилиты CLICK BIOS пользователи смогут изменять параметры BIOS, следить за температурой процессора, выбирать приоритетность загрузочных устройств и просматривать информацию о системе, в частности, наименование ЦП, емкость памяти, версию ОС и версию BIOS. Пользователи смогут импортировать и экспортировать данные параметров для выполнения резервного копирования и отправки друзьям.

Вход в настройки BIOS

Включите компьютер и дождитесь начала процедуры самотестирования POST (Power On Self Test). При появлении на экране сообщения, приведенного ниже, нажмите клавишу для запуска программы настройки:

Press to run BIOS setup, or <F11> to run boot menu
(Нажмите на клавишу DEL для запуска меню настройки, или F11 для запуска меню загрузки)

Если вы не успели нажать клавишу до отображения сообщения и по-прежнему требуется войти в программу настройки, перезапустите систему, либо включив и выключив ее, либо нажав кнопку RESET. Можно также выполнить перезагрузку, одновременно нажав клавиши <Ctrl>+<Alt>+<Delete>.

MSI также дополнительно предоставляет два метода для входа в настройки BIOS. Вы можете нажать "GO2BIOS" на экране в утилите "MSI Fast Boot" или нажать физическую кнопку "GO2BIOS" (опционально) на материнской плате для непосредственно входа в настройки BIOS при следующей загрузке.



Нажмите "GO2BIOS" на экране утилиты "MSI Fast Boot".



Внимание

- Не забудьте установить "MSI Fast Boot" до того как войти в настройки BIOS.
- Для улучшения работы системы содержимое каждого из разделов BIOS, рассматриваемое в данной главе, постоянно совершенствуется. Поэтому для новых версий BIOS оно может несколько отличаться от данного описания, которое можно использовать для справки.

Общие Сведения

После входа в BIOS отображается следующий экран.



► Выбор меню BIOS

Доступны следующие опции:

- **SETTINGS** - В данном меню указывают параметры настройки для микропроцессора, загрузочного устройства.
- **OC** - Данное меню содержит элементы настройки частоты и напряжения. Увеличение частоты приводит к увеличению производительности, однако это может привести к нестабильной работе системы. Мы не рекомендуем неопытным пользователям производить разгон системы.
- **M-FLASH** - Позволяет выбрать метод обновления BIOS с USB флэш-диска.
- **OC PROFILE** -Используется для настройки различных профилей разгона.
- **HARDWARE MONITOR** - Это меню используется для установки скорости вентилятора и мониторинга напряжений системы.
- **BOARD EXPLORER** - Предоставляет информации об установленных устройствах на материнской плате.

► Кнопка Virtual OC Genie

Включает или выключает функции OC Genie, при нажатии кнопки. Данная кнопка мигает при включении. Включение функции OC Genie приводит к автоматическому разгону с оптимизированным профилем MSI.



Мы рекомендуем не делать никаких изменений в меню ОС и не загружать значения по умолчанию после включения функции OC Genie.

► Меню

Здесь отображаются настройки BIOS дополнительная информация.

► Приоритет загрузочных устройств

Вы можете переместить иконку устройства для изменения приоритета загрузки.



Высокий приоритет → Низкий приоритет

► Системная информация

Показывает время, дату, наименование ЦП, частоту ЦП, частоту памяти, емкость памяти и версию BIOS.

► Язык

Позволяет выбрать язык для настройки BIOS.

► Мониторинг температур

Показывает температуру процессора и материнской платы.

► Избранное

Позволяет создать личное меню BIOS, где вы можете сохранить и получить доступ к вашим любимым, / часто используемым настройкам BIOS.

- **Главная страница по умолчанию** - Позволяет выбрать меню BIOS (например, параметры, ОС..., и т.д.) в качестве главной страницы BIOS.
- **Избранное1~5** - Позволяет добавлять наиболее часто используемые / любимые пункты настройки BIOS на одну страницу.

Работа

Вы можете управлять параметрами настройки BIOS с помощью мыши и клавиатуры. В нижеследующей таблице представлен перечень и описание «клавиш быстрого вызова» и функций мыши.

Клавиша быстрого вызова	Мыши	Описание
<↑↓→←>	 Перемещение указателя	Выбор элемента
<Enter>	 Щелчок/ Двойной щелчок левой кнопкой	Выбор значка/ поля
<Esc>	 Щелчок правой кнопкой	Переход в меню Exit(Выход) или возврат к предыдущему меню из подменю
<+>	X	Увеличение или изменение значения параметра
<->		Уменьшение или изменение значения параметра
<F1>		Общая справка
<F2>		Помощник для работы с избранным
<F3>		Вход в меню Избранное
<F4>		Технические параметры процессора
<F5>		Вход в раздел Memory-Z
<F6>		Загрузить оптимизированные настройки по умолчанию
<F8>		Загрузить профиль разгона
<F9>		Сохранить профиль разгона
<F10>		Сохранение изменений и перезагрузка
<F12>		Сохранение снимка экрана на флэш-накопителе FAT/FAT32

Меню OC

Данное меню предназначено для опытных пользователей и предоставляет возможности для "разгона" системы.



Внимание

- Разгонять ПК вручную рекомендуется только опытным пользователям.
- Производитель не гарантирует успешность разгона. Неправильное выполнение разгона может привести к аннулированию гарантии и серьезному повреждению оборудования.
- Неопытным пользователям, рекомендуется использовать OC Genie.

▶ Simple/Advanced Mode [Simple]

Включает или выключает расширенные настройки разгона в BIOS.

[Simple] Обеспечивает регулярные параметры разгона в настройке BIOS.

[Advanced] Обеспечивает расширенные параметры разгона для опытных пользователей для настройки в BIOS.

Примечание: Символом * отмечаются параметры разгона расширенного режима Advanced mode.

▶ CPU Ratio [Auto]

Задание множителя процессора для установки его тактовой частоты.

Изменение данного параметра возможно только в том случае, если процессор поддерживает данную функцию.

▶ Adjusted CPU Frequency

Показывает текущую частоту ЦП. Это значение нельзя изменять.

▶ EIST [Enabled]*

Включение или выключение технологии Enhanced Intel® SpeedStep. Этот пункт будет доступен, когда "CPU Ratio" установлено в [Auto].

[Enabled] Включение EIST для регулировки напряжения и частоты ядра процессора. Этот пункт может снизить среднее энергопотребление и тепло.

[Disabled] Выключение EIST.

► OC Genie Function Control [By Onboard Button]

Для включения функции OC Genie нажмите виртуальную кнопку в BIOS или физическую кнопку на материнской плате. Включение функции OC Genie позволяет автоматически разгонять систему с оптимизированным профилем разгона MSI.

[By BIOS Options] Для включения функции OC Genie нажмите на виртуальную кнопку OC Genie в верхнем левом углу экрана настроек BIOS.

[By Onboard Button] Для включения функции OC Genie нажмите на физическую кнопку OC Genie на материнской плате.



Внимание

- Мы рекомендуем не делать никаких изменений в меню OC и не загружать значения по умолчанию после включения функции OC Genie.
- Обновление BIOS или очистка CMOS не допустима в режиме OC Genie, т.к. может вызвать сбой в работе.

► Ring Ratio [Auto]

Установка множителя шины Ring. Диапазон допустимых значений зависит от установленного процессора.

► Adjusted Ring Frequency

Показывает скорректированную частоту шины Ring. Это значение нельзя изменять.

► GT Ratio [Auto]

Установка множителя для интегрированной графики. Диапазон допустимых значений зависит от установленного процессора.

► Adjusted GT Frequency

Показывает настроенную частоту интегрированной графики. Это значение нельзя изменять.

► CPU Base Clock (MHz) [Default]

Установка базовой тактовой частоты ЦП. Изменение этого параметра обеспечивает возможность «разгона» ЦП. Обращаем ваше внимание на то, что компания не гарантирует успешность выполнения разгона и стабильность системы. Этот пункт появляется, когда установленный процессор поддерживает данную функцию.

► DRAM Frequency [Auto]

Установка частоты памяти (DRAM). Обратите внимание, что возможность успешного разгона не гарантируется.

► Adjusted DRAM Frequency

Показывает текущую частоту DRAM. Это значение нельзя изменять.

► Extreme Memory Profile (X.M.P) [Disabled]

X.M.P. (Extreme Memory Profile) является технологией разгона для модулей памяти. Этот пункт доступен при установке модулей памяти с поддержкой технологии XMP.

[Disabled] Функция выключена.

[Profile 1] Использует настройки разгона Профиль 1 для установленного модуля памяти XMP.

[Profile 2] Использует настройки разгона Профиль 2 для установленного модуля памяти XMP.

► Memory Try It ! [Disabled]

Память Попробуйте так! Позволяет улучшить совместимость памяти или улучшить производительность, путем выбора наиболее оптимального пресета.

► DRAM Timing Mode [Auto]

Режимы таймингов памяти.

[Auto] Временные параметры DRAM устанавливаются на основе SPD (Serial Presence Detect) модуля памяти.

[Link] Позволяет пользователю настроить тайминги DRAM вручную для всех каналов памяти.

[UnLink] Позволяет пользователю настроить тайминги DRAM вручную для соответствующего канала памяти.

► Advanced DRAM Configuration

Нажмите <Enter> для входа в подменю. Данное подменю будет доступно после установки [Link] или [Unlink] в режиме "DRAM Timing Mode". Пользователь может настроить тайминги для каждого канала памяти. Система может работать нестабильно или не загружается после изменения таймингов памяти. Если система работает нестабильно, пожалуйста, очистите данные CMOS и восстановите настройки по умолчанию. (см. переключатель очистки данных CMOS/раздел кнопки для очистки данных CMOS и вход в BIOS, чтобы загрузить настройки по умолчанию.)

► DRAM Training Configuration*

Нажмите <Enter> для входа в подменю. Включает или выключает различные способы тренировки DRAM. Система может работать нестабильно или не загружается после изменения настроек в этом подменю. Если это происходит, очистите данные CMOS и восстановите настройки по умолчанию. (см. переключатель очистки данных CMOS/раздел кнопки для очистки данных CMOS и вход в BIOS, чтобы загрузить настройки по умолчанию.)

► Memory Fast Boot [Auto]

Включает или выключает инициализацию тренировки памяти при каждой загрузке.

[Auto] Этот параметр будет настроен автоматически с помощью BIOS.

[Enabled] Память будет полностью имитировать настройки при первой инициализации и тренировке. После этого память не будет инициализирована с измененными настройками для ускорения загрузки.

[Disabled] Память будет инициализирована и тренирована при каждой загрузке.

► DigitALL Power

Нажмите <Enter> для входа в подменю. Управляет цепями, связанными с PWM процессора.

► VR 12VIN OCP Expander [Auto]

Расширяет ограничение тока VR для защиты процессора с входным напряжением 12В. Чем выше значение расширения тем ниже степень защиты. Поэтому, настройте текущее напряжение тщательно при необходимости, или может выходить CPU/ VR MOS из строя. При установке в "Auto", BIOS автоматически настроит этот параметр.

► CPU Phase Control [Auto]

Управление фазами PWM в зависимости от нагрузки процессора. При установке в "Auto", BIOS автоматически оптимизирует работу фаз CPU PWM.

[Auto] Этот параметр будет настроен автоматически с помощью BIOS.

[Normal] Устанавливает нормальный профиль фазы питания для процессора, он может обеспечить стабильную производительность системы и эффективное энергосбережение.

[Optimized] Устанавливает оптимальный профиль фазы питания для процессора, он может обеспечить систему с оптимальной способностью энергосбережения.

[Disabled] Выключает функцию переключения фаз питания PWM.

► CPU Vdroop Offset Control [Auto]

Устанавливает напряжение смещения в процентах для vdroop процессора. При установке в "Auto", BIOS автоматически настроит этот параметр.

► CPU Over Voltage Protection [Auto]

Устанавливает верхнюю границу максимального напряжения для защиты процессора от слишком высокого напряжения. Если установлено "Auto", BIOS автоматически настроит этот параметр. Чем выше значение тем ниже степень защиты и выше вероятность выхода системы из строя.

► CPU Under Voltage Protection [Auto]

Устанавливает нижнюю границу напряжения для защиты процессора от слишком низкого напряжения. Если установлено "Auto", BIOS автоматически настроит этот параметр. Чем выше значение тем ниже степень защиты и выше вероятность выхода системы из строя.

► CPU Over Current Protection [Auto]

Устанавливает ограничение по максимальному току для защиты процессора. При установке в "Auto", BIOS автоматически настроит этот параметр. Слишком высокое значение может привести к повреждению системы.

► CPU Switching Frequency [Auto]

Устанавливает скорость работы PWM для стабилизации напряжения ядра процессора и минимизации диапазона пульсаций. Увеличение рабочей скорости PWM приводит к сильному нагреву MOSFET. Перед тем как увеличить значение убедитесь, что охлаждение для MOSFET установлено. При установке в "Auto", BIOS автоматически настроит этот параметр.

► CPU VRM Over Temperature Protection [Enabled]

Включает или выключает CPU VRM для защиты от перегрева.

[Enabled] Устанавливает верхнее значение температуры на CPU VRM для защиты от перегрева. Частота процессора может быть регулируется, когда VRM процессора над заданной температуры.

[Disabled] Функция выключена.

► DRAM Phase Control [Auto]

Управление фазами PWM в зависимости от нагрузки процессора. При установке в "Auto", BIOS автоматически оптимизирует работу фаз CPU PWM.

[Auto] Этот параметр будет настроен автоматически с помощью BIOS.

[Disabled] Выключает функцию переключения фаз питания PWM.

► DRAM Switching Frequency [Auto]

Устанавливает скорость работы PWM для стабилизации напряжения DRAM и минимизации диапазона пульсаций. При установке в "Auto", BIOS автоматически настроит этот параметр.

► SVID Communication [Auto]*

Включение или выключение поддержки SVID (Serial Voltage Identification).

[Auto] Этот параметр будет настроен автоматически с помощью BIOS.

[Enabled] Фаза PWM будет изменена в зависимости от SVID процессора (Serial Voltage Identification).

[Disabled] Выключение поддержки SVID (Serial Voltage Identification).

► VCCIN Voltage [Auto]

Установка входного напряжения процессора. Входное напряжение процессора используется для питания различных блоков процессора.

► CPU Core/Ring/GT Voltage Mode [Auto]*

Позволяет выбрать режим управления напряжениями ядра процессора/ шины Ring/ GT.

[Auto] Этот параметр будет настроен автоматически с помощью BIOS.

[Adaptive Mode] Устанавливает адаптивное напряжение автоматически для оптимальной производительности системы.

[Override Mode] Позволяет устанавливать напряжения вручную.

[Offset Mode] Позволяет устанавливать напряжения смещения и выбирать режим напряжения смещения.

[Adaptive + Offset] Установка адаптивного напряжения автоматически и ручная установка напряжения смещения.

[Override + Offset] Позволяет устанавливать напряжение и напряжения смещения вручную.

► CPU Core Voltage/ CPU Ring Voltage/ CPU GT Voltage [Auto]

Установка напряжений ядра процессора/ шины Ring/ GT. При установке в "Auto", BIOS установит напряжения автоматически. Вы также можете настроить напряжения вручную. Этот пункт появляется, когда "CPU Core/Ring/GT Voltage Mode" установлено в [Auto]/ [Adaptive Mode]/ [Override Mode].

► CPU Core/ Ring/ GT Voltage Offset Mode [Auto]*

Выбор режима смещения для ядра процессора/ шины Ring/ GT. Этот пункт появляется, когда "CPU Core/Ring/GT Voltage Mode" установлено в [Offset Mode]/ [Adaptive + Offset]/ [Override + Offset].

[Auto] Параметр будет настроен автоматически с помощью BIOS.

[+] Позволяет компенсировать напряжение на режиме положительного значения.

[-] Позволяет компенсировать напряжение на режиме отрицательного значения.

► CPU Core/ Ring/ GT Voltage Offset [Auto]

Установка напряжений смещения для ядра процессора/ шины Ring/ GT. При установке в "Auto", BIOS установит напряжения автоматически. Вы также можете настроить напряжения вручную. Этот пункт появляется, когда "CPU Core/Ring/GT Voltage Mode" установлено в [Offset Mode]/ [Adaptive + Offset]/ [Override + Offset].

► CPU SA/IOA/IOD Voltage Mode [Manual Mode]*

Выбор режима управления для напряжений CPU SA/ IOA (IO Analog)/ IOD (IO Digital).

[Manual] Позволяет устанавливать напряжения вручную.

[Offset] Позволяет устанавливать напряжения смещения и выбирать режим напряжения смещения.

► CPU SA/ IO Analog/ IO Digital Voltage Offset Mode [Auto]*

Выбор режима смещения для напряжения CPU SA/ IOA/ IOD. Этот пункт появляется, когда "CPU SA/IOA/IOD Voltage Mode" установлено в [Offset Mode].

[Auto] Этот параметр будет настроен автоматически с помощью BIOS.

[+] Позволяет компенсировать напряжение на режиме положительного значения.

[-] Позволяет компенсировать напряжение на режиме отрицательного значения.

► CPU SA/ IO Analog/ IO Digital Voltage Offset [Auto]*

Установка режима смещения для напряжения CPU SA/ IO Analog/ IO Digital. При установке в "Auto", BIOS установит напряжения автоматически. Вы также можете настроить напряжения вручную. Этот пункт появляется, когда "CPU SA/IOA/IOD Voltage Mode" установлено в [Offset Mode].

► CPU SA/ IO Analog/ IO Digital Voltage [Auto]*

Установка режима смещения для напряжения CPU SA/ IO Analog/ IO Digital. При установке в "Auto", BIOS установит напряжения автоматически. Вы также можете настроить напряжения вручную. Этот пункт появляется, когда "CPU SA/IOA/IOD Voltage Mode" установлено в [Manual Mode].

► XXX Voltage [Auto]* (опционально)

Задаёт напряжения, связанные с памятью / PCH. При установке в "Auto", BIOS установит напряжения автоматически. Вы также можете настроить напряжения вручную.

► CPU Memory Changed Detect [Enabled]*

Включение или выключение предупреждающих сообщений при загрузке системы, когда процессор или память были заменены.

[Enabled] Система выдает предупреждение во время загрузки. Требуется загрузить настройки по умолчанию для новых устройств.

[Disabled] Выключение этой функции и сохранение текущих настроек BIOS.

► CPU Specifications

Нажмите <Enter> для входа в подменю. В этом подменю представлена информация об установленном процессоре. Для просмотра этой информации в любое время нажмите на кнопку [F4]. Это значение нельзя изменять.

► CPU Technology Support

Нажмите <Enter> для входа в подменю. В данном подменю отображаются основные функции, поддерживаемые установленным процессором. Это значение нельзя изменять.

► MEMORY-Z

Нажмите <Enter> для входа в подменю. В подменю выделены все параметры и тайминги установленной памяти. Для просмотра этой информации в любое время нажмите на кнопку [F5].

► DIMMx Memory SPD

Нажмите <Enter> для входа в подменю. Это подменю показывает информацию об установленной памяти. Это значение нельзя изменить.

► CPU Features

Нажмите <Enter> для входа в подменю.

► Hyper-Threading Technology [Enabled]

Процессор использует технологию Hyper-threading для увеличения производительности. Технология Intel Hyper-Threading позволяет нескольким наборам регистров в процессоре исполнять инструкции одновременно. Это существенно увеличивает производительность системы. Этот пункт появляется, когда установленный процессор поддерживает изменение данного параметра.

[Enable] Включить технологию Intel Hyper-Threading.

[Disabled] Выключить эту функцию, если система не поддерживает функцию HT.

► Active Processor Cores [All]

Этот пункт позволяет задать число активных ядер процессора.

► Limit CPUID Maximum [Disabled]

Включение или выключение расширенных значений CPUID.

[Enabled] BIOS будет ограничивать максимальное входное значение CPUID для обхода проблемы загрузки с старой операционной системы, не поддерживающие процессор с расширенными значениями CPUID.

[Disabled] Используйте фактическое максимальное входное значение CPUID.

► Execute Disable Bit [Enabled]

Функция Intel's Execute Disable Bit позволяет защититься от некоторых видов злонамеренных действий типа «ошибки переполнения буфера», при которых вирусы пытаются выполнить код, разрушающий систему. Рекомендуется не отключать данную функцию.

[Enabled] NO-Execution позволяет защититься от злонамеренных действий и вирусы.

[Disabled] Выключение этой функции.

► Intel Virtualization Tech [Enabled]

Включение или выключение технологии Intel Virtualization.

[Enabled] Включает технологию Intel Virtualization и позволяет платформе запускать несколько операционных систем в независимых разделах. Система может функционировать виртуально сразу с несколькими операционными системами.

[Disabled] Выключение этой функции.

► Intel VT-D Tech [Enabled]

Включение или выключение технологии Intel VT-D (Intel Virtualization for Direct I/O).

► **Hardware Prefetcher [Enabled]**

Включение или выключение аппаратной предвыборки (MLC Streamer prefetcher).

[Enabled] Позволяет автоматически реализовывать предвыборку данных и инструкций из памяти в кэш L2 для настройки производительности процессора.

[Disabled] Выключение аппаратной предвыборки.

► **Adjacent Cache Line Prefetch [Enabled]**

Включение или выключение предвыборки процессора (MLC Spatial prefetcher).

[Enabled] Включение соседней предвыборки линии кэша для сокращения времени задержки кэша и настройки производительности для конкретного использования.

[Disabled] Выключает запрашиваемую линию кэша.

► **CPU AES Instructions [Enabled]**

Включение или выключение поддержки CPU AES (Advanced Encryption Standard-New Instructions). Этот пункт появляется, когда процессор поддерживает эту функцию.

[Enabled] Включение поддержки Intel AES.

[Disabled] Выключение поддержки Intel AES.

► **Intel Adaptive Thermal Monitor [Enabled]**

Включение или выключение этой функции для защиты процессора от перегрева.

[Enabled] Уменьшает частоту ядра процессора, когда процессор превышает адаптивную температуру.

[Disabled] Выключение функции.

► **Intel C-State [Auto]**

C-state- это технология управления питанием процессора, определяется ACPI.

[Auto] Параметр будет настроен автоматически с помощью BIOS.

[Enabled] Определяет состояние простоя системы и значительно сокращает энергопотребление процессором.

[Disabled] Выключение функции.

► **C1E Support [Disabled]**

Включение или выключение функции C1E для энергосбережения в состоянии остановки. Этот элемент появляется при включении "Intel C-State".

[Enabled] Включение функции C1E для снижения частоты и напряжения процессора для энергосбережения в состоянии остановки.

[Disabled] Функция выключена.

► **Package C State limit [Auto]**

Данный параметр позволяет выбрать режим C-state для энергосбережения при простое системы. Этот элемент появляется при включении "Intel C-State".

[Auto] Параметр будет настроен автоматически с помощью BIOS.

[C0~C7s] Уровни энергосбережения от высокого к низкому (C7s, C7, C6, C3, C2, C0).

► **LakeTiny Feature [Disabled]**

Включение или выключение технологии Intel Lake Tiny с iRST для SSD. Этот элемент появляется, когда установленный процессор поддерживает данную функцию и при включении "Intel C-State".

[Enabled] Повышение динамической нагрузки IO скорректированной производительности для ускорения скорости SSD.

[Disabled] Функция выключена.

► **EIST [Enabled]**

Включение или выключение технологии Enhanced Intel® SpeedStep. Этот пункт появится, когда "Simple/ Advanced Mode" установлено в [Simple].

[Enabled] Включение EIST для регулировки напряжения и частоты ядра процессора. Этот пункт может снизить среднее энергопотребление и тепло.

[Disabled] Выключение EIST.

► **Intel Turbo Boost [Enabled]**

Включение или выключение Intel® Turbo Boost. Этот пункт для простого режима и появляется, когда установленный процессор поддерживает данную функцию.

[Enabled] Включение этой функции приводит к автоматическому увеличению производительности процессора.

[Disabled] Функция выключена.

► **Long Duration Power Limit (W) [Auto]**

Настроить предельную мощность TDP на длительный срок для CPU в режиме Turbo Boost.

► **Long Duration Maintained (s) [Auto]**

Настроить максимальное время работы процессора с ограничением мощности при Long Duration Power Limit.

► **Short Duration Power Limit (W) [Auto]**

Настроить предельную мощность TDP на короткий срок для процессора в режиме Turbo Boost.

► **CPU Current limit (A) [Auto]**

Устанавливает текущий максимальный предел тока в режиме Turbo Boost. Когда текущий ток превышает указанный предел, процессор будет автоматически снижать частоты ядра для уменьшения тока.

► **Internal VR OVP OCP Protection [Auto]**

Включение или выключение защиты от перенапряжения и перегрузки по току для внутренних регуляторов напряжения процессора.

[Auto] Этот параметр будет настроен автоматически с помощью BIOS.

[Enabled] Устанавливает предел напряжения на внутренних регуляторах напряжения процессора для защиты от перенапряжения и перегрузки по току.

[Disabled] Выключение функции.

► **Internal VR Efficiency Management [Auto]**

Включение или выключение управления эффективностью внутренних регуляторов напряжения процессора.

[Auto] Этот параметр будет настроен автоматически с помощью BIOS.

[Enabled] Включает управление эффективностью регуляторов для контроля энергосбережения.

[Disabled] Выключение функции.

► **Internal VR Switching Frequency [Auto]**

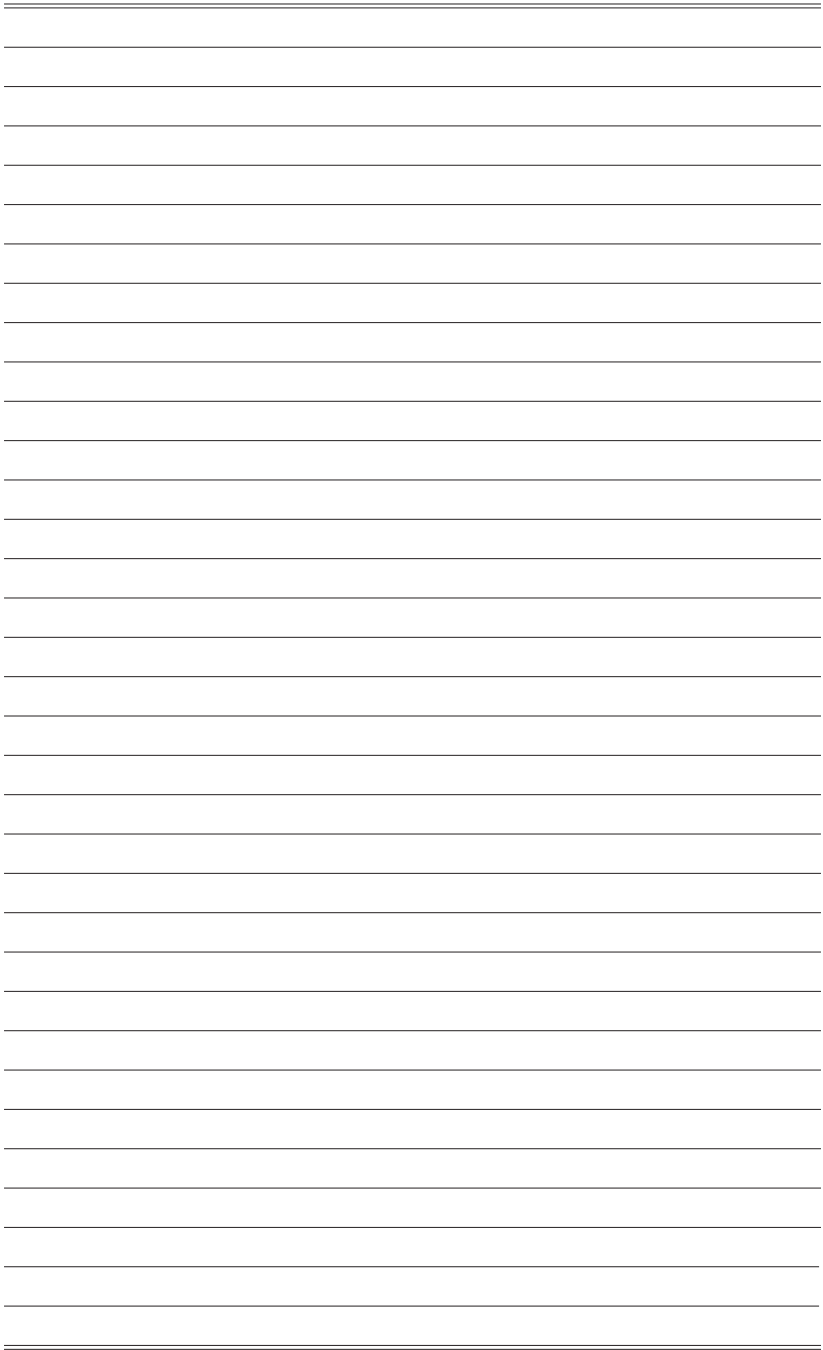
Установка значения Internal VR Switching Frequency в процентах. При включении режима "Auto", BIOS настроит этот параметр автоматически. Данный пункт доступен для настройки только в случае, если установленный CPU поддерживает данную функцию.

► **DMI Gen 2 [Enabled]**

Включает или выключает DMI (Direct Media Interface) второго поколения.

► **DMI De-emphasis Control [-6dB]**

DMI De-emphasis Control позволяет вручную улучшить разгон DMI. Тем ни менее значение по умолчанию является оптимальным.



Installation/ Установка

This chapter provides demonstration diagrams about how to install your computer. Some of the installations also provide video demonstrations. Please link to the URL to watch it with the web browser on your phone or tablet. You may have even link to the URL by scanning the QR code.

Das vorliegende Kapitel bietet die Demo-Diagrammen, wie Sie Ihren Computer zu installieren. Einige der Installationen auch bieten die Videodemonstrationen. Bitte geben Sie die URL, um es mit dem Web-Browser auf Ihrem Handy ode Tablet zu sehen. Sie können sogar auf die URL durch das Scannen des QR Code verlinken.

Ce chapitre fournit des figures pour montrer comment installer votre ordinateur. La démonstration de vidéo est disponible pour certaines installations. Veuillez vous connecter à URL pour le voir, soit avec le navigateur de votre portable ou tablette, soit scanner le code QR.

В этой главе приведена демонстрация диаграмм о том, как установить ваш компьютер. Часть установки также предоставляет видео-демонстрации. Соединяйте на URL, чтобы посмотреть его с веб-браузером на телефоне или планшетном компьютере. Вы даже соединить на URL с помощью сканирования QR-кода.



The diagrams in this chapter are for reference only and may vary from the product you purchased.

Die Diagramme in diesem Kapitel sind nur zur Bezugnahme und können von Ihnen gekauften Produkt abweichen.

Les figures dans ce chapitre ne sont qu'à titre de référence et peuvent varier selon le modèle que vous achetez.

Диаграммы в этой главе приведены только для справки и могут отличаться от купленного вами продукта.

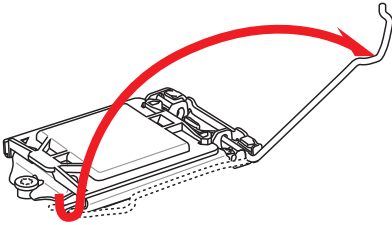
CPU



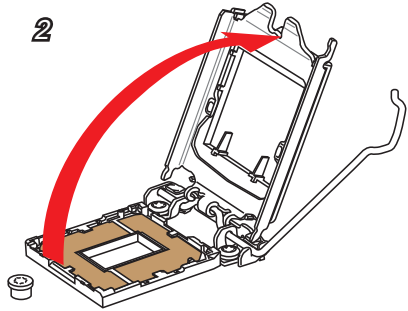
<http://youtu.be/bf5La099url>

Installation/ Установка

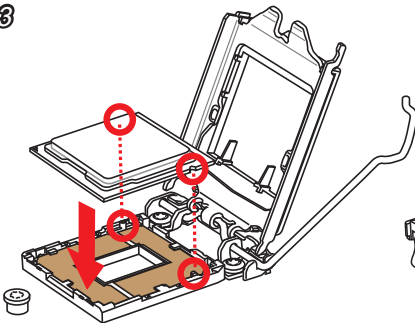
1



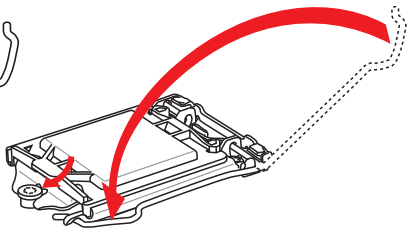
2



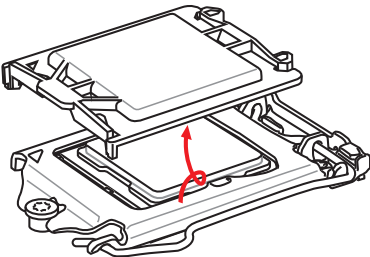
3



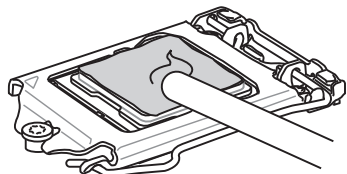
4



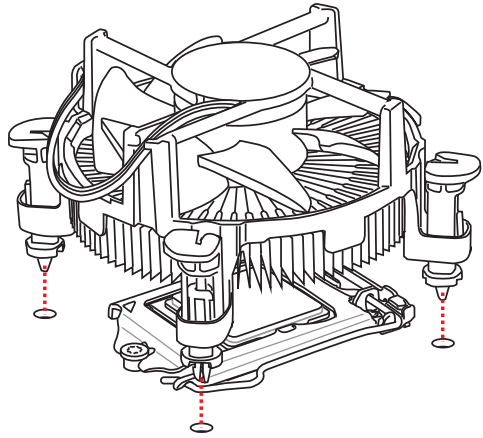
5



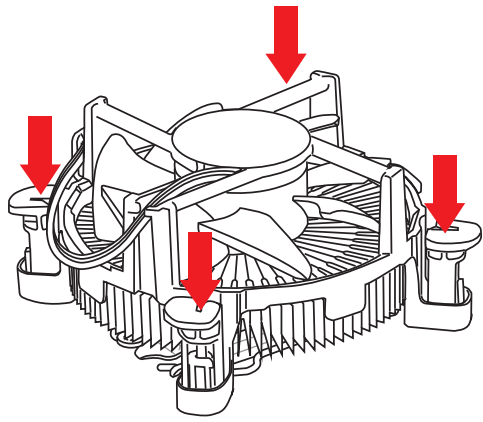
6



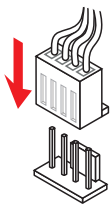
7



8



9

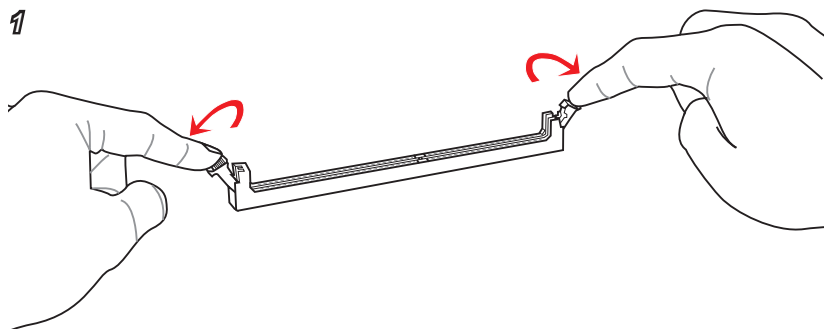


Memory/ Speicher/ Mémoire/ Памяти

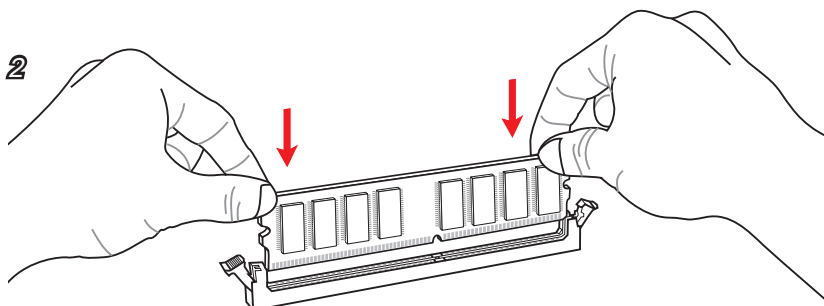


<http://youtu.be/76yLtJaKICQ>

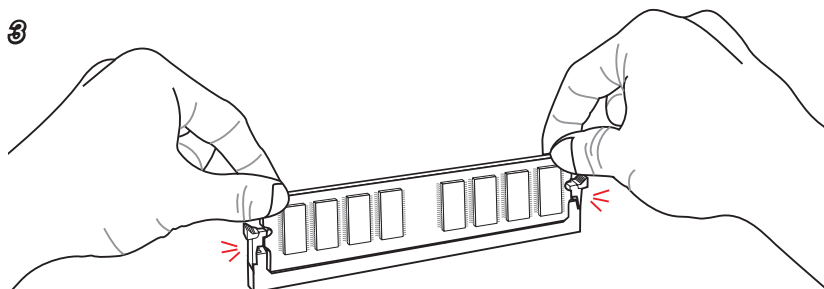
1



2

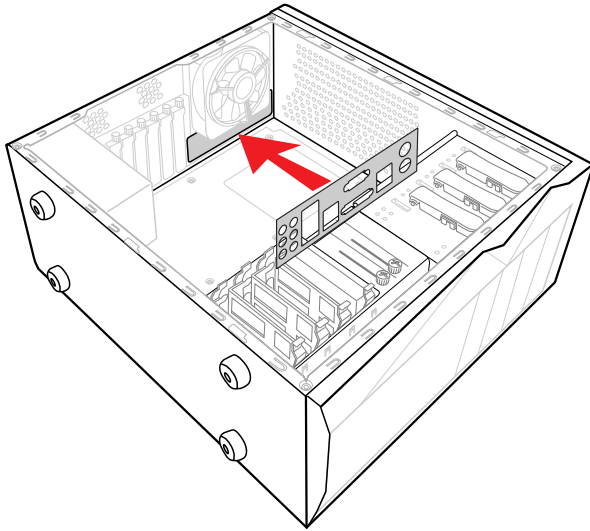


3

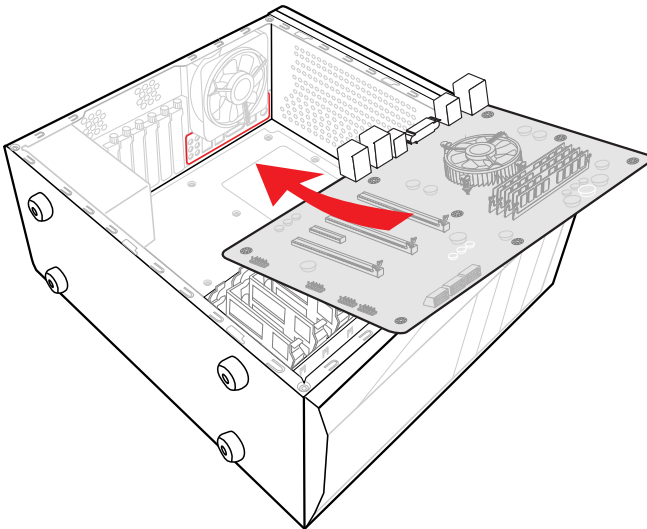


Motherboard/ Carte mère/ Материнские платы

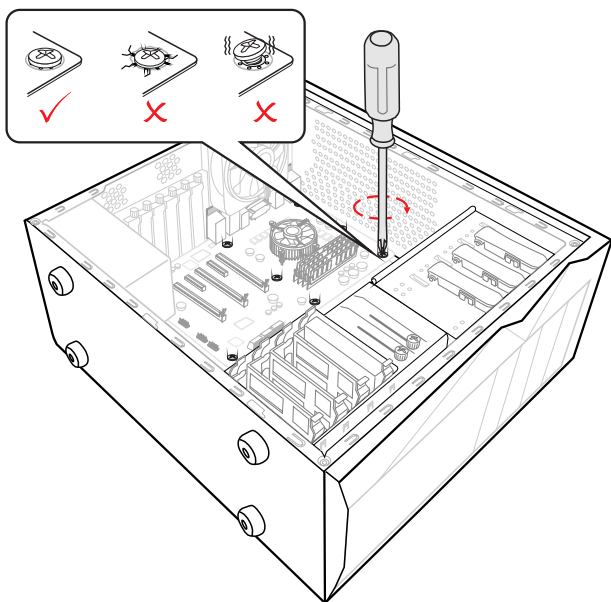
1



2



69



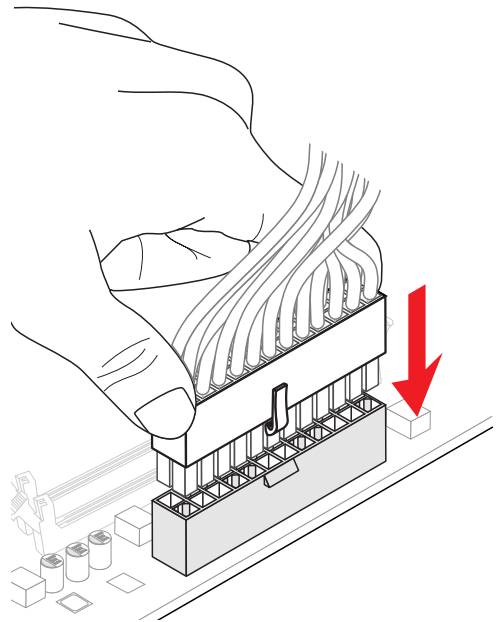
Power Connector/ ATX-Stromanschluss/

Connecteurs d'alimentation/ Разъема питания

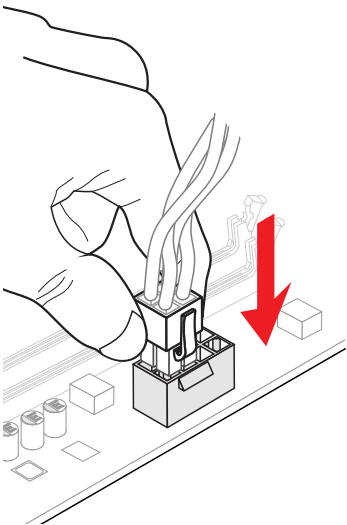


http://youtu.be/gkDYyR_8314

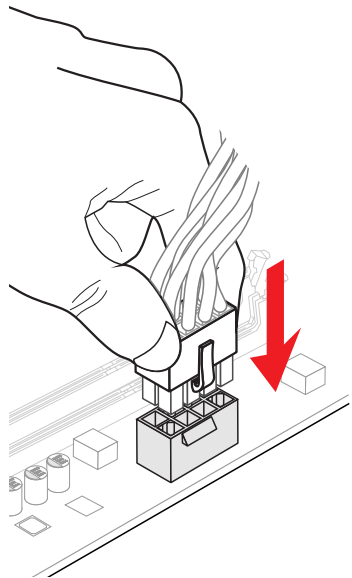
1



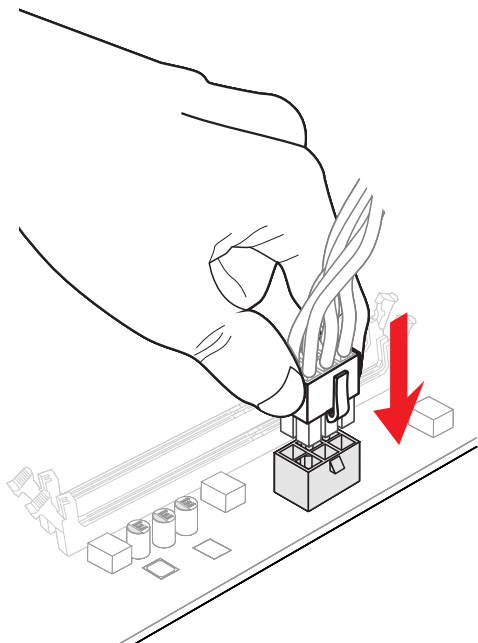
2



*or
oder
ou
или*



3

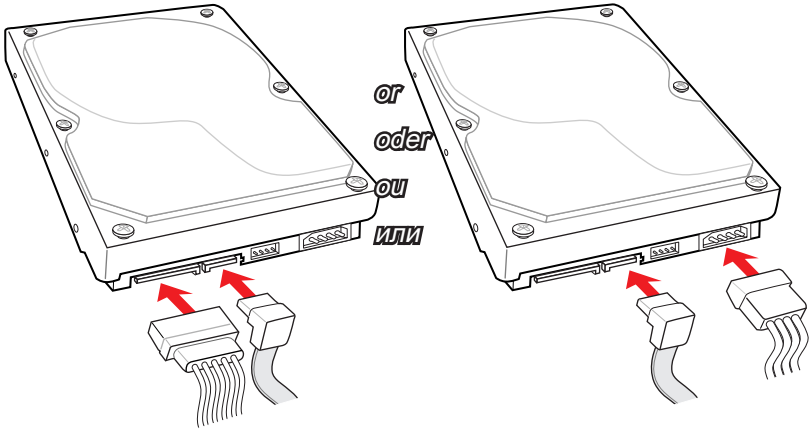


SATA HDD

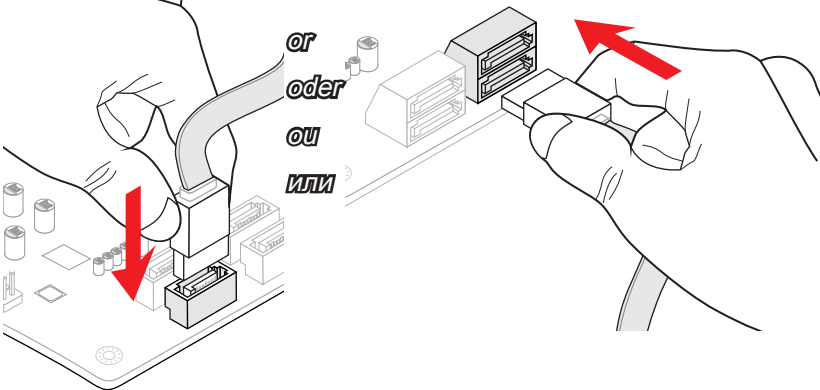


<http://youtu.be/RZsMpqxythc>

1



2

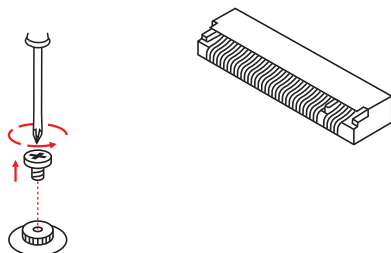


M.2

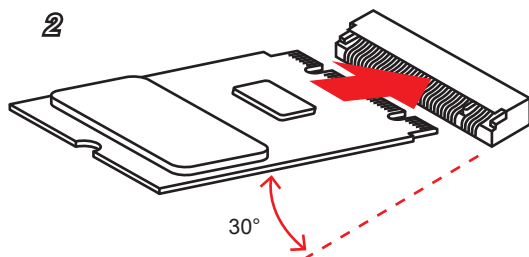


<http://youtu.be/JCTFABytrYA>

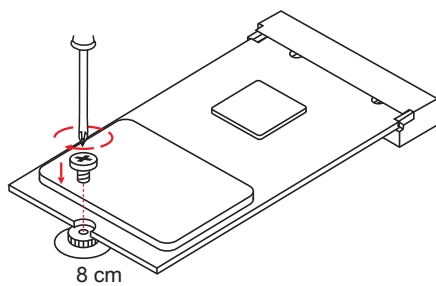
1



2



3

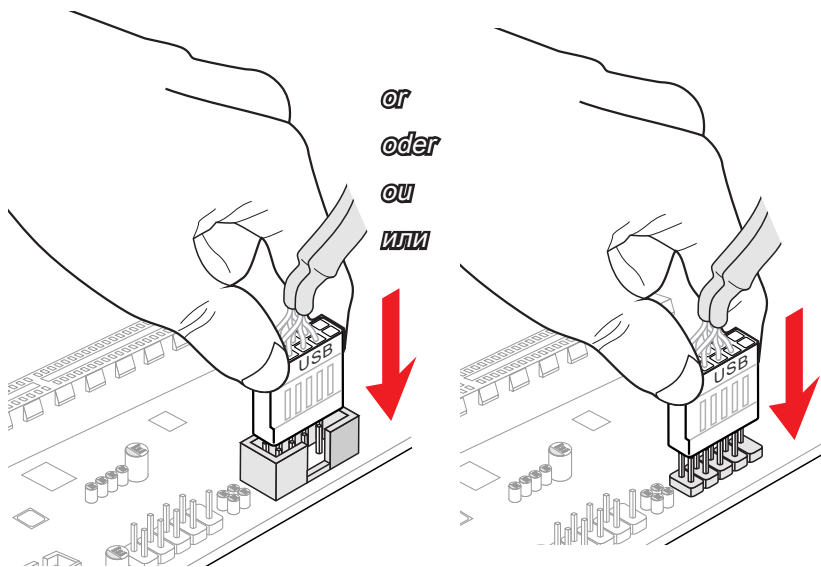


Peripheral Connector/ Peripheriestecker/

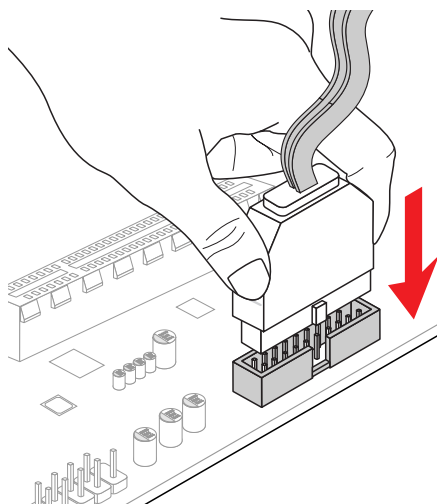
Connecteur périphérique/ Периферийных разъемов

Installation/ Установка

USB2.0



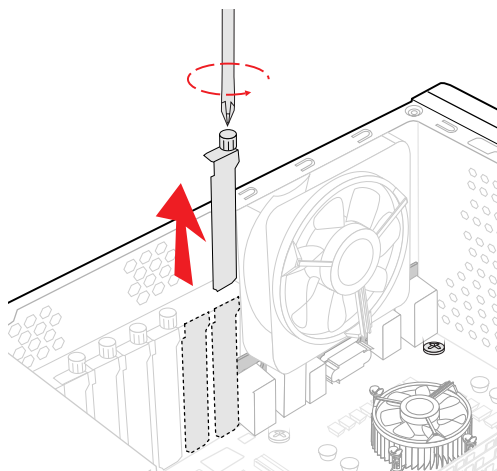
USB3.0



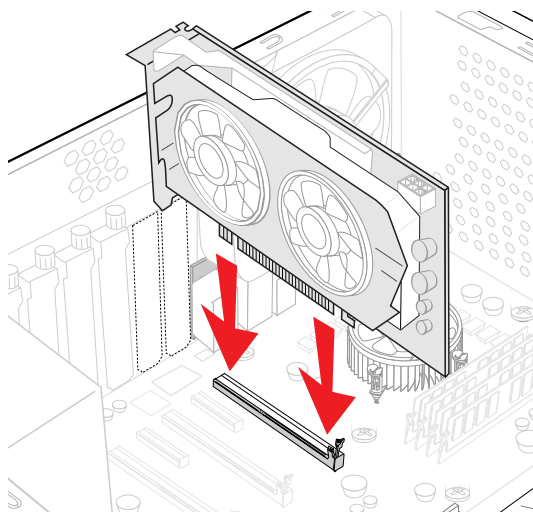


http://youtu.be/mG0GZpr9w_A

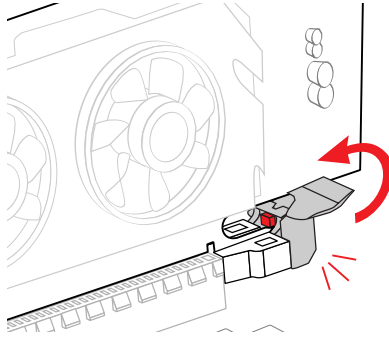
1



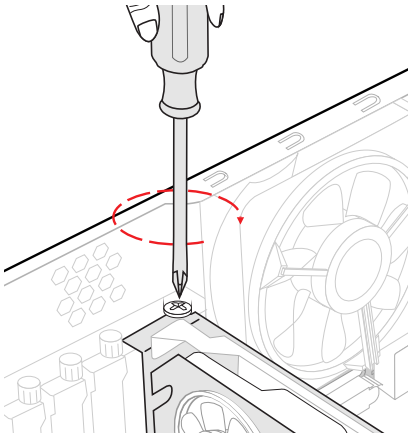
2



3



4



5

