

Quick Start

Thank you for purchasing the MSI® **Z170A KRAIT GAMING/ Z170 KRAIT GAMING** motherboard. This Quick Start section provides demonstration diagrams about how to install your computer. Some of the installations also provide video demonstrations. Please link to the URL to watch it with the web browser on your phone or tablet. You may have even link to the URL by scanning the QR code.

Kurzanleitung

Danke, dass Sie das MSI® **Z170A KRAIT GAMING/ Z170 KRAIT GAMING** Motherboard gewählt haben. Dieser Abschnitt der Kurzanleitung bietet eine Demo zur Installation Ihres Computers. Manche Installationen bieten auch die Videodemonstrationen. Klicken Sie auf die URL, um diese Videoanleitung mit Ihrem Browser auf Ihrem Handy oder Table anzusehen. Oder scannen Sie auch den QR Code mit Ihrem Handy, um die URL zu öffnen.

Présentation rapide

Merci d'avoir choisi la carte mère MSI® **Z170A KRAIT GAMING/ Z170 KRAIT GAMING**. Ce manuel fournit une rapide présentation avec des illustrations explicatives qui vous aideront à assembler votre ordinateur. Des tutoriels vidéo sont disponibles pour certaines étapes. Cliquez sur le lien fourni pour regarder la vidéo sur votre téléphone ou votre tablette. Vous pouvez également accéder au lien en scannant le QR code qui lui est associé.

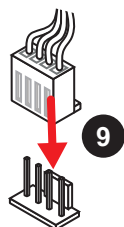
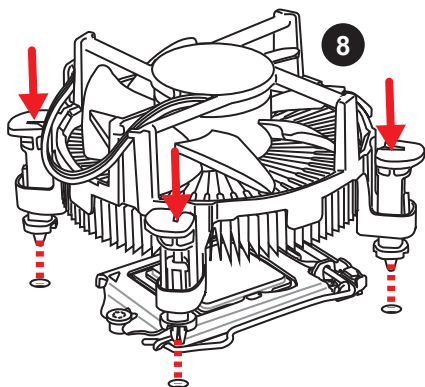
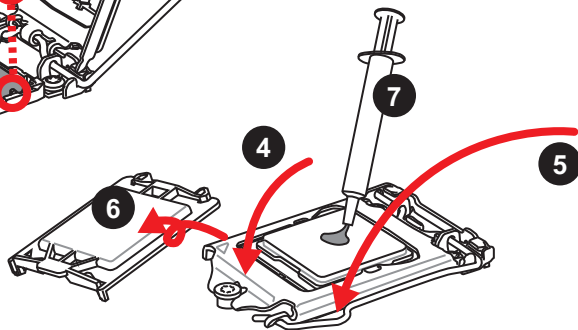
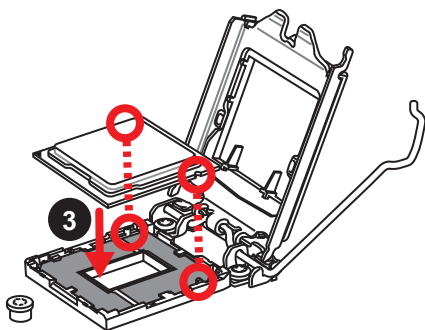
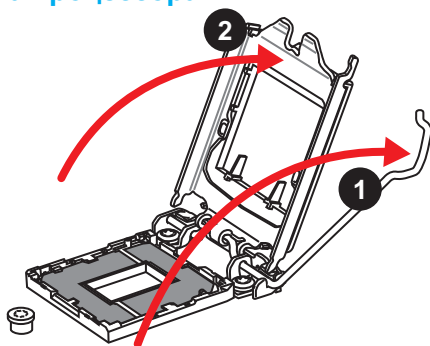
Быстрый старт

Благодарим вас за покупку материнской платы MSI® **Z170A KRAIT GAMING/ Z170 KRAIT GAMING**. В этом разделе представлена информация, которая поможет вам при сборке компьютера. Для некоторых этапов сборки имеются видеоруководства. Для просмотра видео, необходимо открыть соответствующую ссылку в веб-браузере на вашем телефоне или планшете. Вы также можете выполнить переход по ссылке, путем сканирования QR-кода.

Installing a Processor/ Installation des Prozessors/ Installer un processeur/ Установка процессора



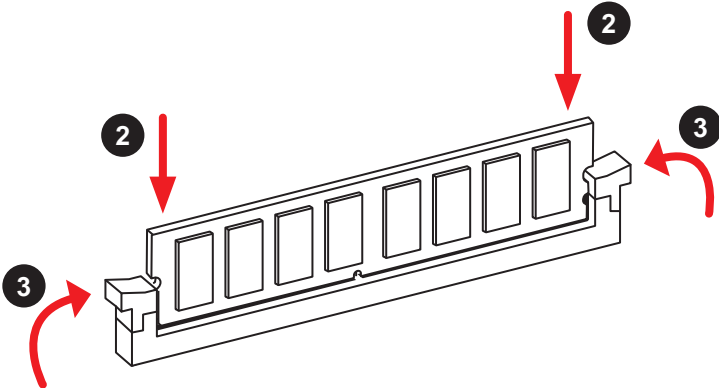
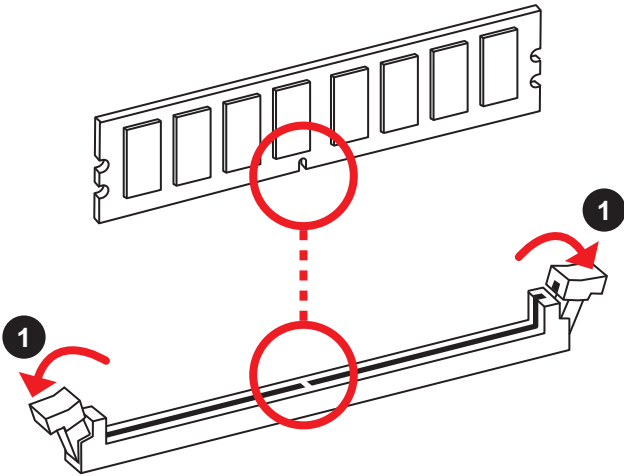
<http://youtu.be/bf5La099url>



Installing DDR4 memory/ Installation des DDR4-Speichers/ Installer une mémoire DDR4/ Установка памяти DDR4



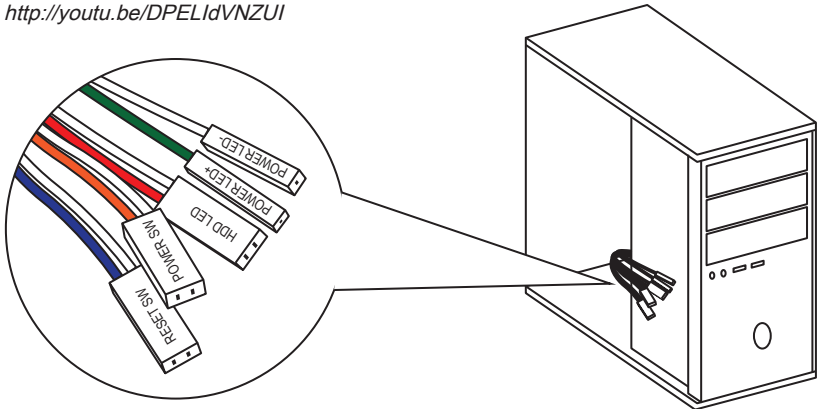
<http://youtu.be/T03aDrJPYQs>



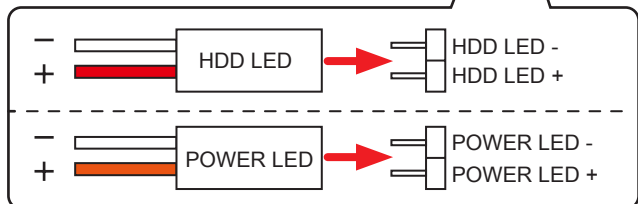
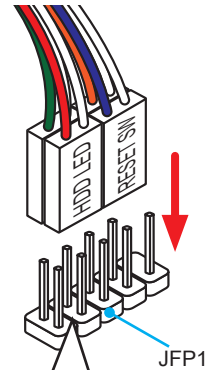
Connecting the Front Panel Header/ Anschließen der Frontpanel-Stiftleiste/ Connector un connecteur du panneau avant/ Подключение разъемов передней панели



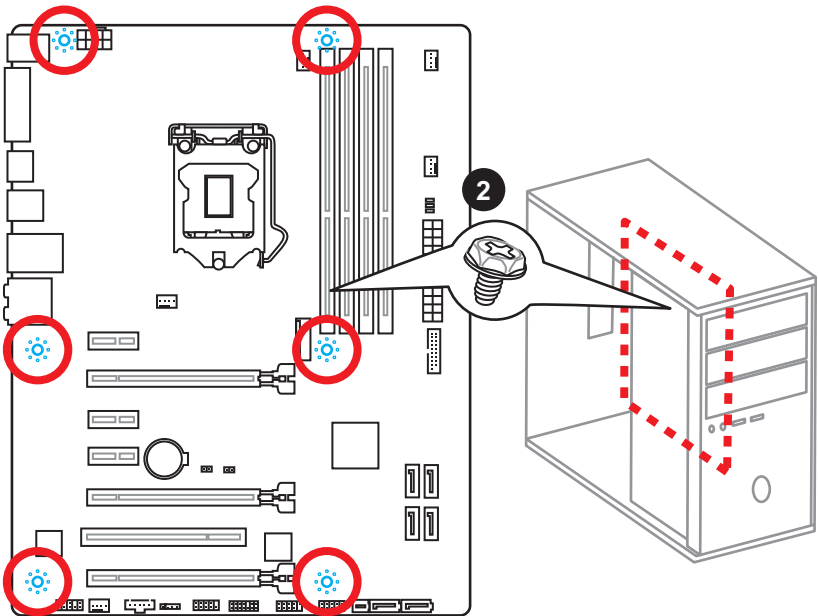
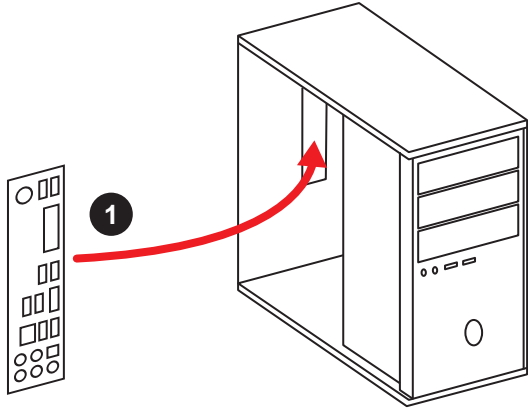
<http://youtu.be/DPELIdVNZUI>



<p>JFP1</p>	<table border="1"> <tr> <td>1</td> <td>HDD LED +</td> <td>2</td> <td>Power LED +</td> </tr> <tr> <td>3</td> <td>HDD LED -</td> <td>4</td> <td>Power LED -</td> </tr> <tr> <td>5</td> <td>Reset Switch</td> <td>6</td> <td>Power Switch</td> </tr> <tr> <td>7</td> <td>Reset Switch</td> <td>8</td> <td>Power Switch</td> </tr> <tr> <td>9</td> <td>Reserved</td> <td>10</td> <td>No Pin</td> </tr> </table>	1	HDD LED +	2	Power LED +	3	HDD LED -	4	Power LED -	5	Reset Switch	6	Power Switch	7	Reset Switch	8	Power Switch	9	Reserved	10	No Pin
1	HDD LED +	2	Power LED +																		
3	HDD LED -	4	Power LED -																		
5	Reset Switch	6	Power Switch																		
7	Reset Switch	8	Power Switch																		
9	Reserved	10	No Pin																		



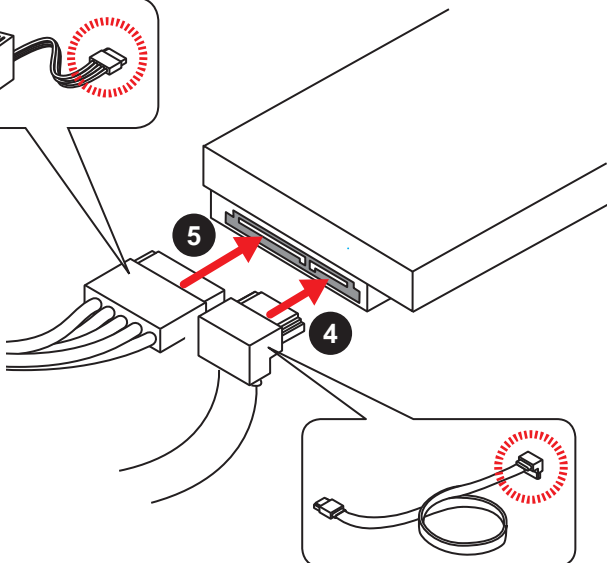
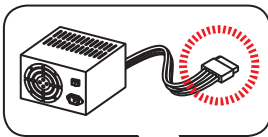
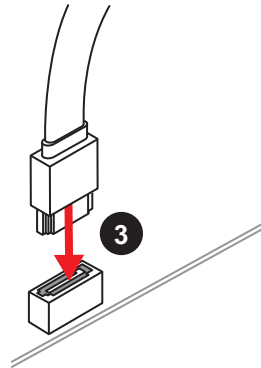
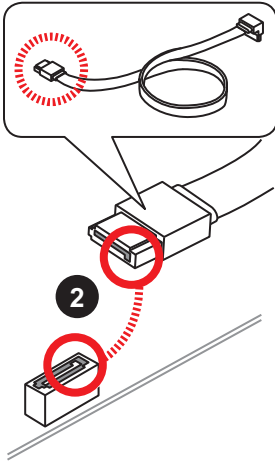
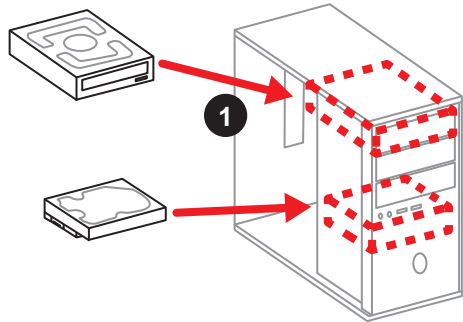
Installing the Motherboard/ Installation des Motherboards/
Installer la carte mère/ Установка материнской платы



Installing SATA Drives/ Installation der SATA-Laufwerke/ Installer le disque dur SATA/ Установка дисков SATA



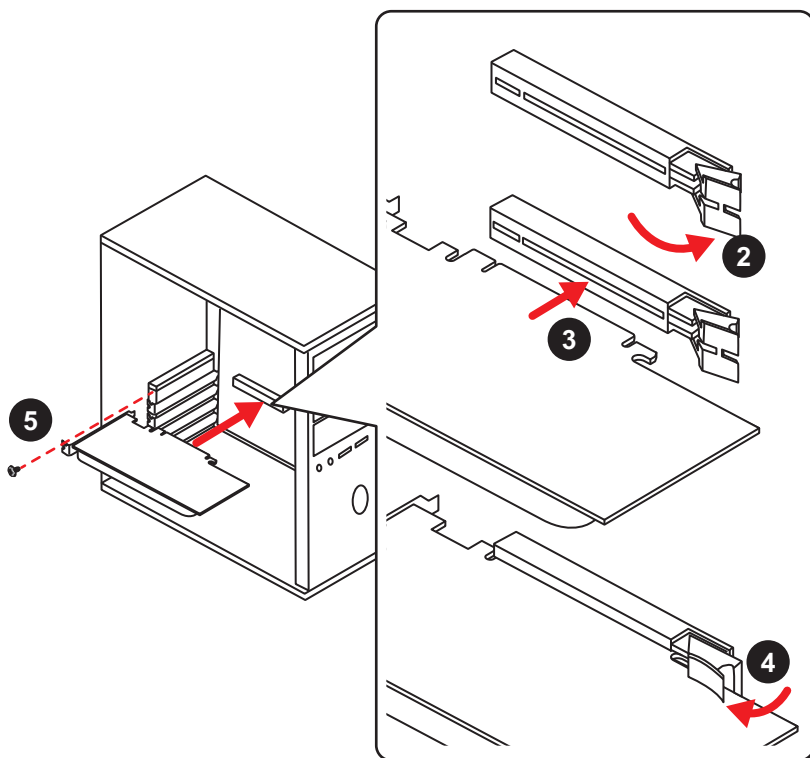
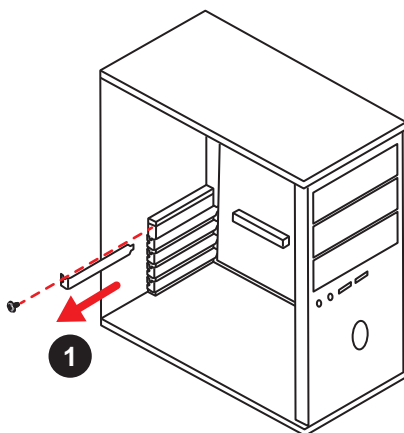
<http://youtu.be/RZsMpqxythc>



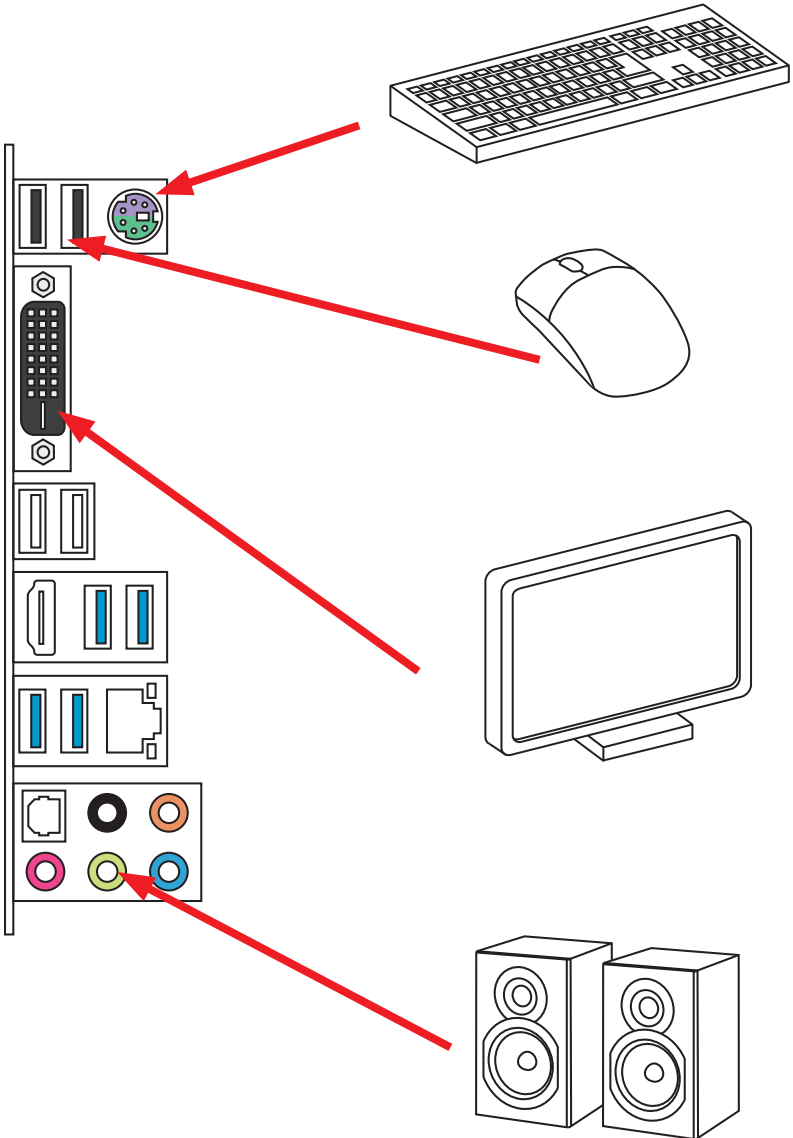
Installing a Graphics Card/ Einbau der Grafikkarte/ Installer une carte graphique/ Установка дискретной видеокарты



http://youtu.be/mG0GZpr9w_A



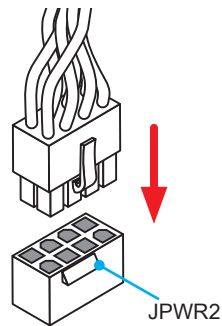
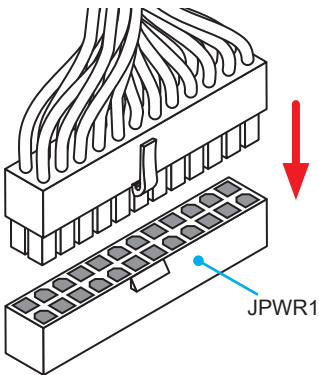
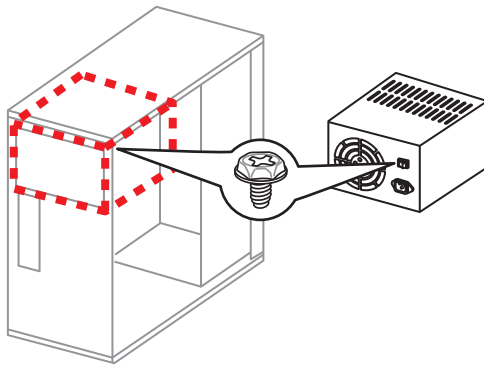
Connecting Peripheral Devices/ Peripheriegeräte/
Connecter un périphérique anschliessen/ Подключение
периферийных устройств



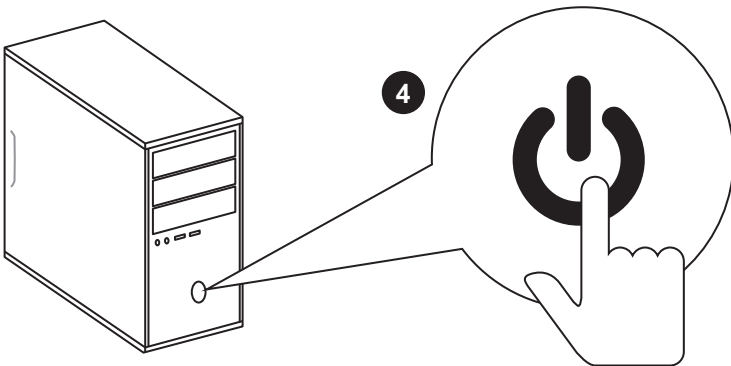
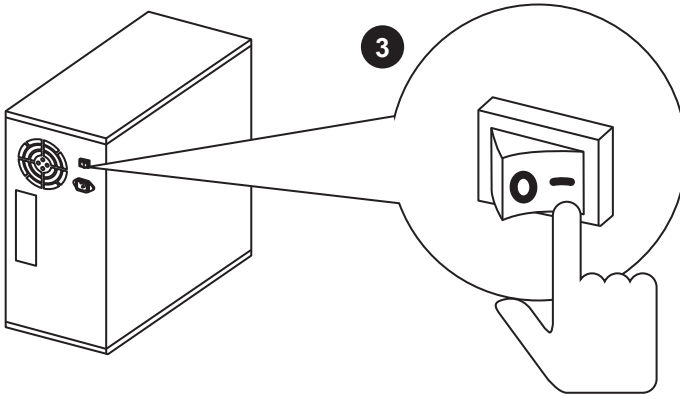
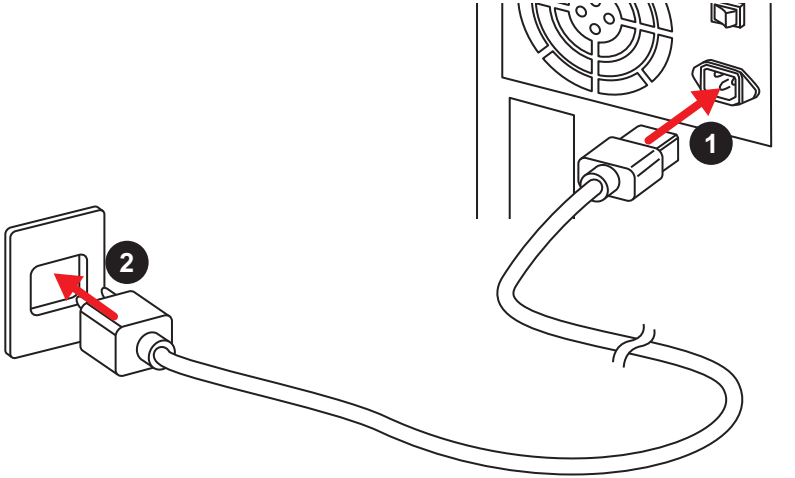
Connecting the Power Connectors/ Stromanschlüsse anschliessen/ Connecter les câbles du module d'alimentation/ Подключение разъемов питания



http://youtu.be/gkDYyR_83I4



Power On/ Einschalten/ Mettre sous-tension/ Включение питания



Contents

Safety Information	2
Specifications	3
Rear I/O Panel	8
LAN Port LED Status Table.....	8
Audio Ports Configuration.....	8
Overview of Components	10
CPU Socket.....	11
DIMM Slots	12
PCI_E1~6, PCI1: PCIe/ PCI Expansion Slots.....	13
SATA1~6: SATA 6Gb/s Connectors.....	15
SE1_21: SATAe Connector	15
M2_1: M.2 Slot.....	16
JPWR1~2: Power Connectors.....	17
JFP1, JFP2: Front Panel Connectors.....	18
JAUD1: Front Audio Connector	18
JTPM1: TPM Module Connector	18
JUSB3: USB 3.1 Gen1 Connector.....	19
JUSB1~2: USB 2.0 Connectors.....	19
CPUFAN1~2, SYSFAN1~3: Fan Connectors.....	20
JCI1: Chassis Intrusion Connector	21
JBAT1: Clear CMOS (Reset BIOS) Jumper.....	22
EZ Debug LED: Debug LED indicators	22
BIOS Setup	23
Entering BIOS Setup	23
Resetting BIOS.....	24
Updating BIOS.....	24
EZ Mode	25
Advanced Mode	27
OC Menu	28
Software Description	35
Installing Windows® 7/ 8.1/ 10	35
Installing Drivers	35
Installing Utilities.....	35

Safety Information

- The components included in this package are prone to damage from electrostatic discharge (ESD). Please adhere to the following instructions to ensure successful computer assembly.
- Ensure that all components are securely connected. Loose connections may cause the computer to not recognize a component or fail to start.
- Hold the motherboard by the edges to avoid touching sensitive components.
- It is recommended to wear an electrostatic discharge (ESD) wrist strap when handling the motherboard to prevent electrostatic damage. If an ESD wrist strap is not available, discharge yourself of static electricity by touching another metal object before handling the motherboard.
- Store the motherboard in an electrostatic shielding container or on an anti-static pad whenever the motherboard is not installed.
- Before turning on the computer, ensure that there are no loose screws or metal components on the motherboard or anywhere within the computer case.
- Do not boot the computer before installation is completed. This could cause permanent damage to the components as well as injury to the user.
- If you need help during any installation step, please consult a certified computer technician.
- Always turn off the power supply and unplug the power cord from the power outlet before installing or removing any computer component.
- Keep this user guide for future reference.
- Keep this motherboard away from humidity.
- Make sure that your electrical outlet provides the same voltage as is indicated on the PSU, before connecting the PSU to the electrical outlet.
- Place the power cord such a way that people can not step on it. Do not place anything over the power cord.
- All cautions and warnings on the motherboard should be noted.
- If any of the following situations arises, get the motherboard checked by service personnel:
 - ▶ Liquid has penetrated into the computer.
 - ▶ The motherboard has been exposed to moisture.
 - ▶ The motherboard does not work well or you can not get it work according to user guide.
 - ▶ The motherboard has been dropped and damaged.
 - ▶ The motherboard has obvious sign of breakage.
- Do not leave this motherboard in an environment above 60°C (140°F), it may damage the motherboard.

Specifications

CPU	Supports 6th Gen Intel® Core™ i3/i5/i7 processors, and Intel® Pentium® and Celeron® processors for Socket LGA1151
Chipset	Intel® Z170 Chipset
Memory	<ul style="list-style-type: none"> • 4x DDR4 memory slots, support up to 64GB <ul style="list-style-type: none"> ▶ Supports DDR4 3600(OC)/ 3200(OC)/ 3000(OC)/ 2800(OC)/ 2600(OC)/ 2400/ 2133 MHz • Dual channel memory architecture • Supports ECC, un-buffered memory • Supports Intel® Extreme Memory Profile (XMP)
Expansion Slots	<ul style="list-style-type: none"> • 3x PCIe 3.0 x16 slots (support x16/x0/x4 or x8/x8/x4 modes) • 3x PCIe 3.0 x1 slots • 1x PCI slot
Onboard Graphics	<ul style="list-style-type: none"> • 1x HDMI™ port, support a maximum resolution of 4096x2160@24Hz, 2560x1600@60Hz • 1x DVI-D port, support a maximum resolution of 1920x1200@60Hz
Multi-GPU	<ul style="list-style-type: none"> • Supports 3-Way AMD® CrossFire™ Technology • Supports 2-Way NVIDIA® SLI™ Technology
Storage	<p>Intel® Z170 Chipset</p> <ul style="list-style-type: none"> • 6x SATA 6Gb/s ports* (2 ports reserved for SATA Express port) • 1x M.2 slot* <ul style="list-style-type: none"> ▶ Supports PCIe 3.0 x4 and SATA 6Gb/s standards, 4.2cm/ 6cm/ 8cm length M.2 SSD cards ▶ Supports PCIe 3.0 x4 NVMe Mini-SAS SSD with Turbo U.2 Host Card** • 1x SATAe port (PCIe 3.0 x2)*** • Supports Intel® Smart Response Technology for Intel Core™ processors <p>* SATA5 and SATA6 ports will be unavailable when installing the M.2 module in M.2 slot.</p> <p>** The Turbo U.2 Host Card is not included, please purchase separately.</p> <p>*** SATAe port is backward compatible with SATA. SATA and SATAe ports maximum support 6x SATAs or 1x SATAe + 4x SATAs.</p>
RAID	<p>Intel® Z170 Chipset</p> <ul style="list-style-type: none"> • Supports RAID 0, RAID 1, RAID 5 and RAID 10 for SATA storage devices

Continued on next page

Continued from previous page

USB	<ul style="list-style-type: none">• ASMedia® ASM1142 Chipset (Z170A KRAIT GAMING)<ul style="list-style-type: none">▶ 2x USB 3.1 Gen2 (SuperSpeed USB 10Gbps) ports on the back panel• Intel® Z170 Chipset<ul style="list-style-type: none">▶ 6x USB 3.1 Gen1 (SuperSpeed USB) ports (4 ports on the back panel, 2 ports available through the internal USB 3.1 Gen1 connector)▶ 6x USB 2.0 (High-speed USB) ports (2 ports on the back panel, 4 ports available through the internal USB 2.0 connectors) (Z170A KRAIT GAMING)▶ 8x USB 2.0 (High-speed USB) ports (4 ports on the back panel, 4 ports available through the internal USB 2.0 connectors) (Z170 KRAIT GAMING)
Audio	<ul style="list-style-type: none">• Realtek® ALC1150 Codec• 7.1-Channel High Definition Audio• Supports S/PDIF output
LAN	1x Intel® I219-V Gigabit LAN controller
Back Panel Connectors	<ul style="list-style-type: none">• 1x PS/2 keyboard/ mouse port• 2x USB 2.0 ports (Z170A KRAIT GAMING)• 4x USB 2.0 ports (Z170 KRAIT GAMING)• 1x DVI-D port• 2x USB 3.1 Gen2 ports (Z170A KRAIT GAMING)• 4x USB 3.1 Gen1 ports• 1x HDMI™ port• 1x LAN (RJ45) port• 1x Optical S/PDIF OUT connector• 5x OFC audio jacks

Continued on next page

Continued from previous page

Internal Connectors	<ul style="list-style-type: none">• 1x 24-pin ATX main power connector• 1x 8-pin ATX 12V power connector• 6x SATA 6Gb/s connectors• 1x SATAe connector• 2x USB 2.0 connectors (supports additional 4 USB 2.0 ports)• 1x USB 3.1 Gen1 connector (supports additional 2 USB 3.1 Gen1 ports)• 2x 4-pin CPU fan connectors• 3x 4-pin system fan connectors• 1x Front panel audio connector• 2x Front panel connectors• 1x TPM module connector• 1x Chassis Intrusion connector• 1x Clear CMOS jumper
I/O Controller	NUVOTON NCT6793 Controller Chip
Hardware Monitor	<ul style="list-style-type: none">• CPU/System temperature detection• CPU/System fan speed detection• CPU/System fan speed control
Form Factor	<ul style="list-style-type: none">• ATX Form Factor• 12 in. x 9.25 in. (30.5 cm x 23.4 cm)
BIOS Features	<ul style="list-style-type: none">• 1x 128 Mb flash• UEFI AMI BIOS• ACPI 5.0, PnP 1.0a, SM BIOS 2.8• Multi-language

Continued on next page

Continued from previous page

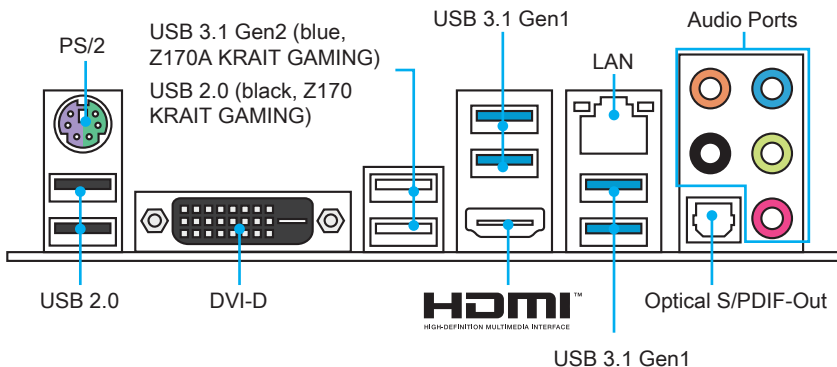
Software	<ul style="list-style-type: none">• Drivers• COMMAND CENTER• LIVE UPDATE 6• FAST BOOT• SUPER CHARGER• GAMING APP• M-CLOUD• RAMDISK• GAMING LAN MANAGER• Open Broadcaster Software• Intel® Extreme Tuning Utility• Norton™ Security• Google Chrome™ ,Google Toolbar, Google Drive• SteelSeries Engine 3• CPU-Z
Performance GAMING Features	<ul style="list-style-type: none">• AUDIO BOOST 3<ul style="list-style-type: none">▶ Isolated Audio PCB▶ EMI Shielding▶ Dual Headphone Amplifiers▶ High Quality Audio Capacitors▶ Golden Audio Connectors• GAME BOOST<ul style="list-style-type: none">▶ Easy Overclocking• GAMING LAN<ul style="list-style-type: none">▶ Intel I219-V Gigabit Ethernet▶ MSI Network Manager▶ Electric Wave Surge• GAMING APP<ul style="list-style-type: none">▶ System Mode Switching: OC/Gaming/Silent▶ Gaming Hotkey▶ Gaming Mouse Master• GAMING CERTIFIED• Open Broadcaster Software<ul style="list-style-type: none">▶ Encoding using H264 (x264) and AAC.▶ Support for Intel Quick Sync Video (QSV) and NVENC.▶ Unlimited number of scenes and sources.▶ Live RTMP streaming to Twitch, YouTube, DailyMotion, Hitbox and more.

Continued on next page

Continued from previous page

MSI Exclusive Features	<ul style="list-style-type: none">• CLICK BIOS 5<ul style="list-style-type: none">▶ EZ Mode & Advanced Mode Switching▶ Board Explorer▶ Hardware Monitor• MILITARY CLASS 5<ul style="list-style-type: none">▶ Military Class Component▶ Military Class Stability and Reliability<ul style="list-style-type: none">- ESD Protection- EMI Protection- Humidity Protection- Circuit Protection- High Temperature Protection- Steel Armor PCIe Slots• COMMAND CENTER<ul style="list-style-type: none">▶ System Monitor▶ Smart Fan Control• RAMDISK• LIVE UPDATE 6• M-CLOUD• CPU-Z• EZ Debug LED
Specification Highlights	<ul style="list-style-type: none">• DDR4 Boost Support<ul style="list-style-type: none">▶ Dual-Channel DDR4 Memory Support▶ Isolated DDR4 Circuit Design▶ DDR4 XMP Ready• PCI Express 3.0 Support<ul style="list-style-type: none">▶ 2-Way Nvidia SLI™ Support▶ 3-Way AMD CrossFire™ Support• USB 3.1 Gen2 Ready (Z170A KRAIT GAMING)<ul style="list-style-type: none">▶ USB 3.1 Gen2 (10 Gb/s) Type-A Ready• Turbo M.2 Ready<ul style="list-style-type: none">▶ PCIe 3.0 x4 (32 Gb/s) Support▶ PCIe / SATA Dual Mode Support• SATA Express Support• NVMe / AHCI Driver Support• U.2 Support (Optional)

Rear I/O Panel



LAN Port LED Status Table

Link/ Activity LED	
Status	Description
Off	No link
Yellow	Linked
Blinking	Data activity

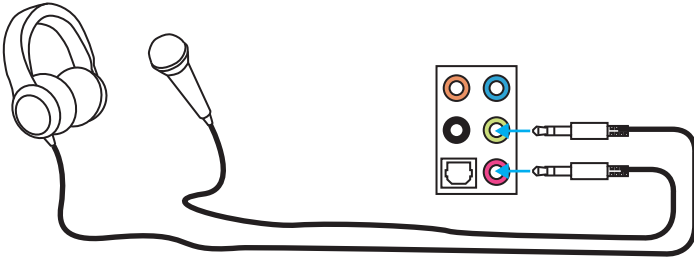
Speed LED	
Status	Description
Off	10 Mbps connection
Green	100 Mbps connection
Orange	1 Gbps connection

Audio Ports Configuration

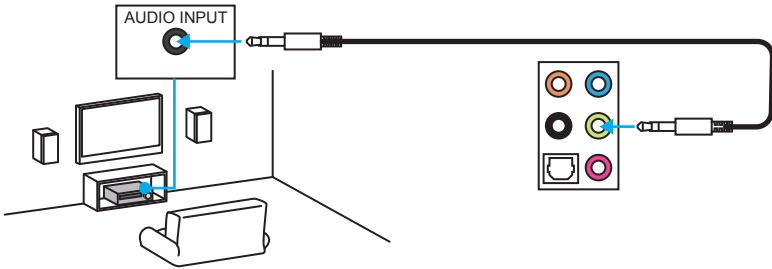
Audio Ports	Channel			
	2	4	6	8
Center/ Subwoofer Out			•	•
Rear Speaker Out		•	•	•
Line-In/ Side Speaker Out				•
Line-Out/ Front Speaker Out	•	•	•	•
Mic In				

(•: connected, **Blank**: empty)

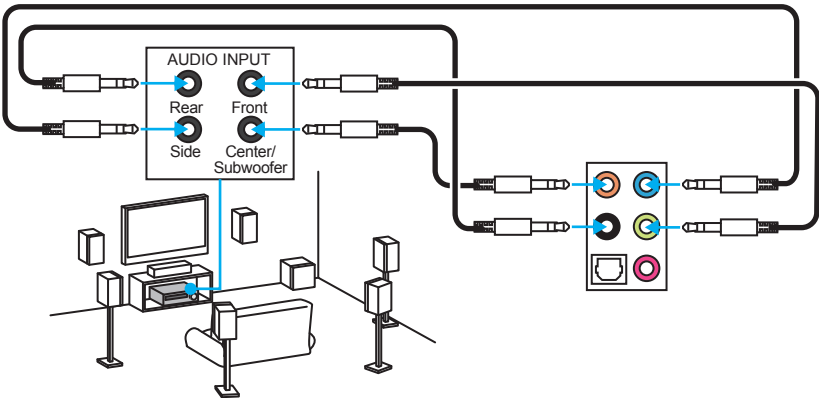
Audio jacks to headphone and microphone diagram



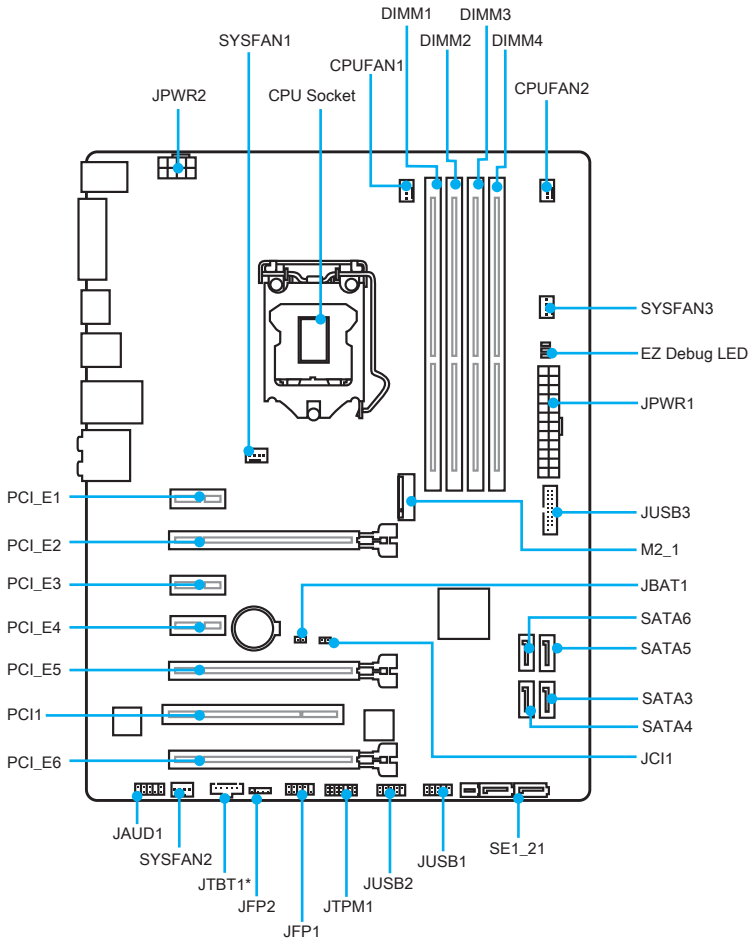
Audio jacks to stereo speakers diagram



Audio jacks to 7.1-channel speakers diagram

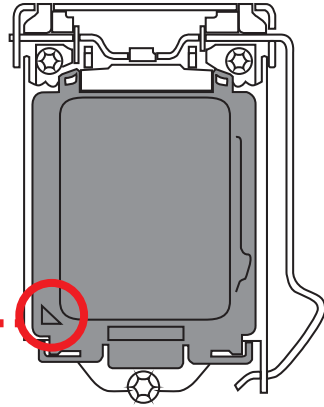
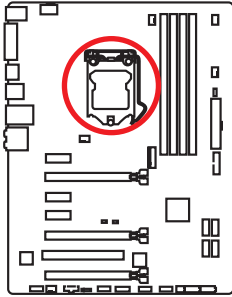


Overview of Components



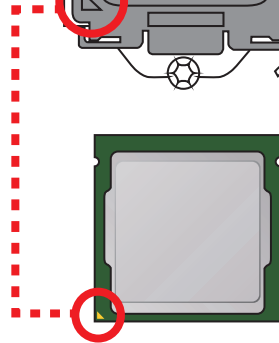
* JTBT1 is used to connect a specific card.

CPU Socket



Introduction to the LGA 1151 CPU

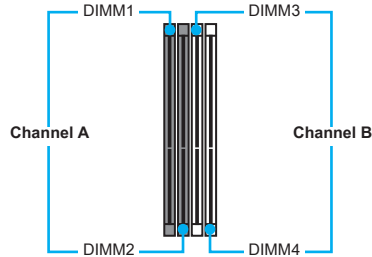
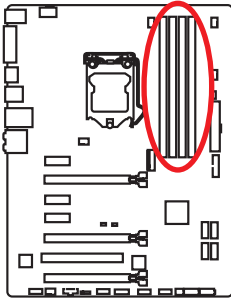
The surface of the LGA 1151 CPU has two **notches** and a **golden triangle** to assist in correctly lining up the CPU for motherboard placement. The golden triangle is the Pin 1 indicator.



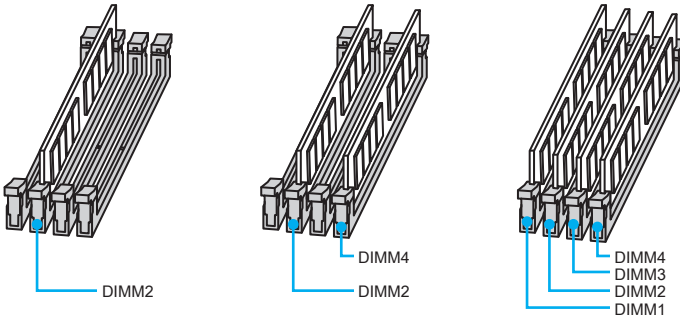
Important

- Always unplug the power cord from the power outlet before installing or removing the CPU.
- Please retain the CPU protective cap after installing the processor. MSI will deal with Return Merchandise Authorization (RMA) requests if only the motherboard comes with the protective cap on the CPU socket.
- When installing a CPU, always remember to install a CPU heatsink. A CPU heatsink is necessary to prevent overheating and maintain system stability.
- Confirm that the CPU heatsink has formed a tight seal with the CPU before booting your system.
- Overheating can seriously damage the CPU and motherboard. Always make sure the cooling fans work properly to protect the CPU from overheating. Be sure to apply an even layer of thermal paste (or thermal tape) between the CPU and the heatsink to enhance heat dissipation.
- Whenever the CPU is not installed, always protect the CPU socket pins by covering the socket with the plastic cap.
- If you purchased a separate CPU and heatsink/ cooler, Please refer to the documentation in the heatsink/ cooler package for more details about installation.
- This motherboard is designed to support overclocking. Before attempting to overclock, please make sure that all other system components can tolerate overclocking. Any attempt to operate beyond product specifications is not recommended. MSI® does not guarantee the damages or risks caused by inadequate operation beyond product specifications.

DIMM Slots



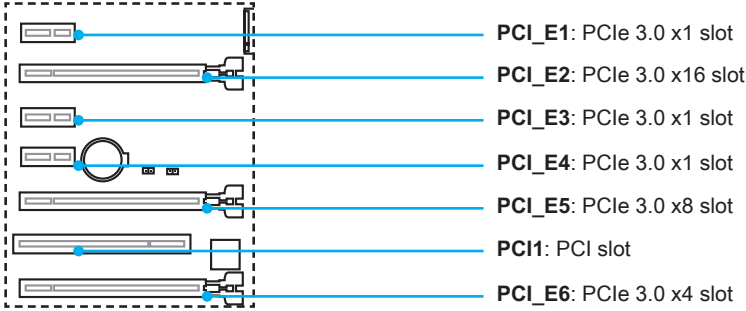
Memory module installation recommendation



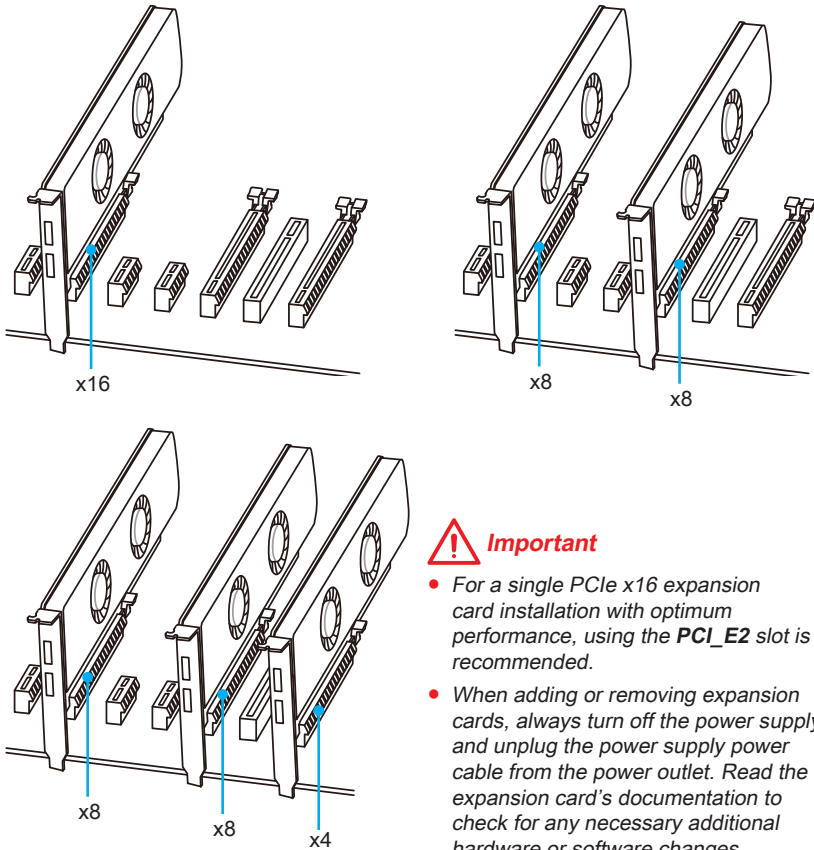
Important

- Always insert memory modules in the **DIMM2** slot first.
- Due to chipset resource usage, the available capacity of memory will be a little less than the amount of installed.
- Based on Intel CPU specification, the Memory DIMM voltage below 1.35V is suggested to protect the CPU.
- Please note that the maximum capacity of addressable memory is 4GB or less for 32-bit Windows OS due to the memory address limitation. Therefore, we recommended that you to install 64-bit Windows OS if you want to install more than 4GB memory on the motherboard.
- Some memory may operate at a lower frequency than the marked value when overclocking due to the memory frequency operates dependent on its Serial Presence Detect (SPD). Go to BIOS and find the **Memory Try It!** to set the memory frequency if you want to operate the memory at the marked or at a higher frequency.
- It is recommended to use a more efficient memory cooling system for full DIMMs installation or overclocking.
- The stability and compatibility of installed memory module depend on installed CPU and devices when overclocking.

PCI_E1~6, PCI1: PCIe/ PCI Expansion Slots



Multiple graphics cards installation recommendation



Important

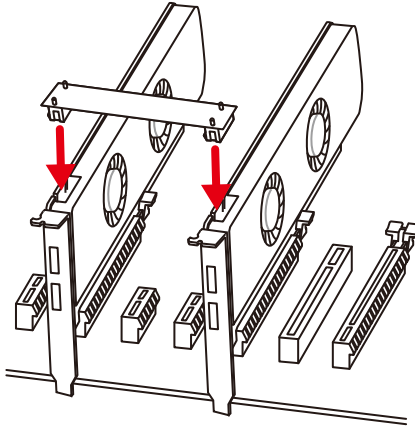
- For a single PCIe x16 expansion card installation with optimum performance, using the **PCI_E2** slot is recommended.
- When adding or removing expansion cards, always turn off the power supply and unplug the power supply power cable from the power outlet. Read the expansion card's documentation to check for any necessary additional hardware or software changes.

Installing SLI graphics cards

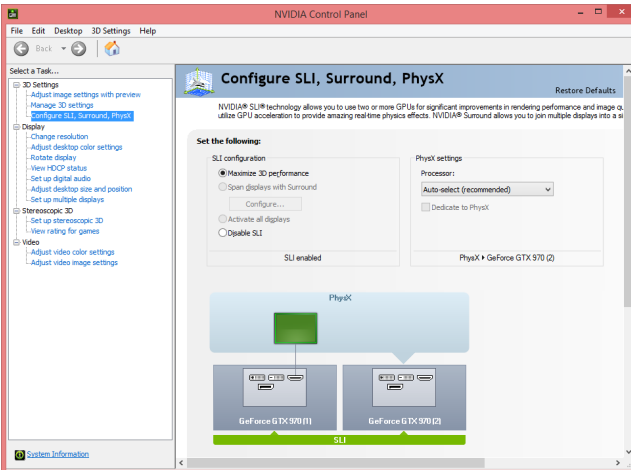
For power supply recommendations for SLI configurations, please refer to the user guide of your graphics card to make sure you meet all the system requirements.

To install SLI graphics cards:

1. Turn off your computer and disconnect the power cord, install two graphics cards into the **PCI_E2** and **PCI_E5** slots.
2. Connect the two cards together using the **SLI Bridge Connector**.

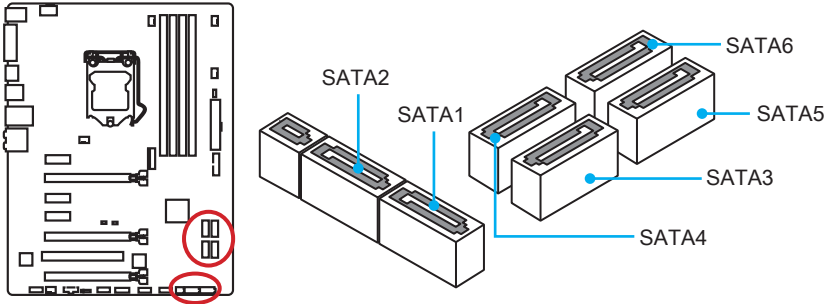


3. Connect all PCIe power connectors of the graphics cards.
4. Reconnect the power cord, power up the computer and install the drivers and software included in your graphics card package.
5. Right-click the Windows desktop and select **NVIDIA Control Panel** from the menu, click on **Configure SLI, Surround, PhysX** in the left task pane and select **Maximize 3D performance** in the SLI configuration menu, and then click **Apply**.



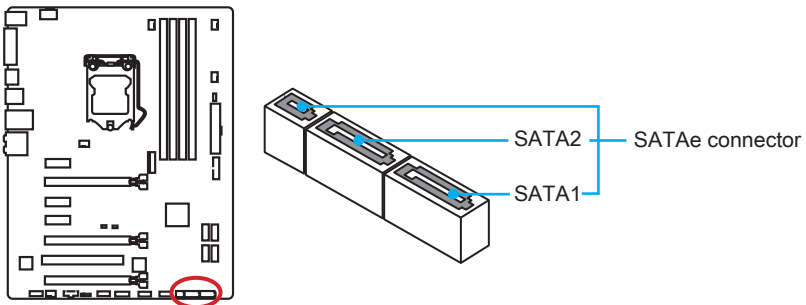
SATA1~6: SATA 6Gb/s Connectors

These connectors are SATA 6Gb/s interface ports. Each connector can connect to one SATA device.



SE1_21: SATAe Connector

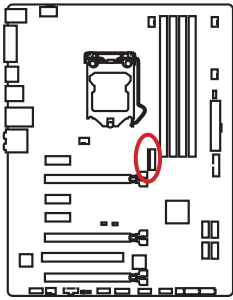
This connector is SATAe (SATA Express) interface port. Each SATAe connector can be used with a single SATAe device or two legacy SATA devices.



Important

- SATA5~6 ports will be unavailable when installing the M.2 module in M.2 slot.
- Please do not fold the SATA or SATAe cable at a 90-degree angle. Data loss may result during transmission otherwise.
- SATA cable has identical plugs on either sides of the cable. However, it is recommended that the flat connector be connected to the motherboard for space saving purposes.

M2_1: M.2 Slot



Important

- SATA5~6 ports will be unavailable when installing the M.2 module in M.2 slot.
- Intel® RST only supports PCIe M.2 SSD with UEFI ROM, does not support Legacy ROM.



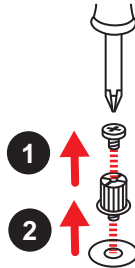
Video Demonstration

Watch the video to learn how to Install M.2 module.

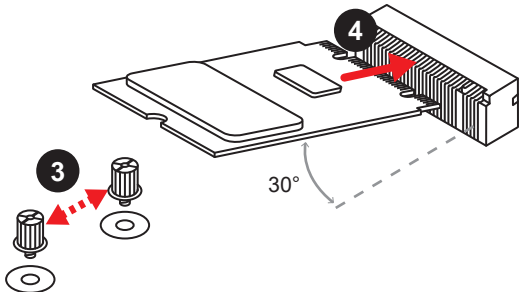
<http://youtu.be/JCTFABytrYA>

Installing M.2 module

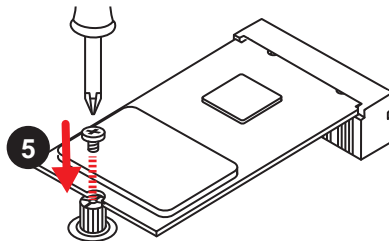
1. Remove the screw from the base screw.
2. Remove the base screw.



3. Tighten the base screw into the hole of the distance to the M.2 slot as the length your M.2 module.
4. Insert your M.2 module into the M.2 slot at a 30-degree angle.

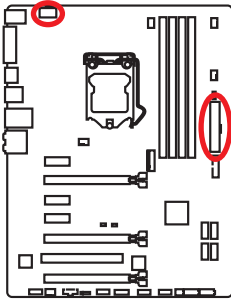


5. Put the screw in the notch on the trailing edge of your M.2 module and tighten it into the base screw.



JPWR1~2: Power Connectors

These connectors allow you to connect an ATX power supply.



1	Ground	5	+12V
2	Ground	6	+12V
3	Ground	7	+12V
4	Ground	8	+12V

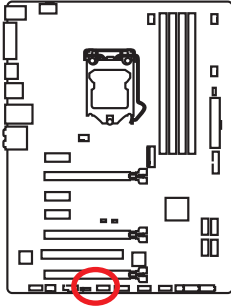
1	+3.3V	13	+3.3V
2	+3.3V	14	-12V
3	Ground	15	Ground
4	+5V	16	PS-ON#
5	Ground	17	Ground
6	+5V	18	Ground
7	Ground	19	Ground
8	PWR OK	20	Res
9	5VSB	21	+5V
10	+12V	22	+5V
11	+12V	23	+5V
12	+3.3V	24	Ground

Important

Make sure that all the power cables are securely connected to a proper ATX power supply to ensure stable operation of the motherboard.

JFP1, JFP2: Front Panel Connectors

These connectors connect to the switches and LEDs on the front panel.

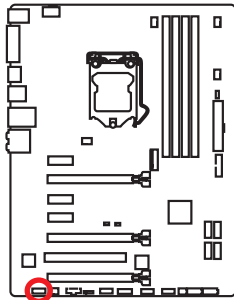


1	HDD LED +	2	Power LED +
3	HDD LED -	4	Power LED -
5	Reset Switch	6	Power Switch
7	Reset Switch	8	Power Switch
9	Reserved	10	No Pin

1	Speaker -	2	Buzzer +
3	Buzzer -	4	Speaker +

JAUD1: Front Audio Connector

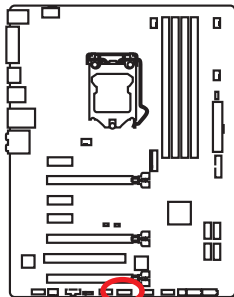
This connector allow you to connect audio jacks on the front panel.



1	MIC L	2	Ground
3	MIC R	4	NC
5	Head Phone R	6	MIC Detection
7	SENSE_SEND	8	No Pin
9	Head Phone L	10	Head Phone Detection

JTPM1: TPM Module Connector

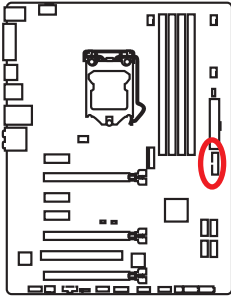
This connector is for TPM (Trusted Platform Module). Please refer to the TPM security platform manual for more details and usages.



1	LPC Clock	2	3V Standby power
3	LPC Reset	4	3.3V Power
5	LPC address & data pin0	6	Serial IRQ
7	LPC address & data pin1	8	5V Power
9	LPC address & data pin2	10	No Pin
11	LPC address & data pin3	12	Ground
13	LPC Frame	14	Ground

JUSB3: USB 3.1 Gen1 Connector

This connector allows you to connect USB 3.1 Gen1 ports on the front panel.



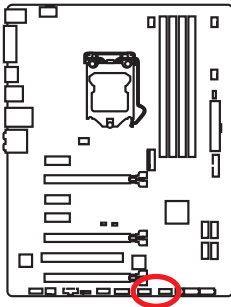
1	Power	11	USB2.0+
2	USB3_RX_DN	12	USB2.0-
3	USB3_RX_DP	13	Ground
4	Ground	14	USB3_TX_C_DP
5	USB3_TX_C_DN	15	USB3_TX_C_DN
6	USB3_TX_C_DP	16	Ground
7	Ground	17	USB3_RX_DP
8	USB2.0-	18	USB3_RX_DN
9	USB2.0+	19	Power
10	Ground	20	No Pin

Important

Note that the Power and Ground pins must be connected correctly to avoid possible damage.

JUSB1~2: USB 2.0 Connectors

These connectors allow you to connect USB 2.0 ports on the front panel.



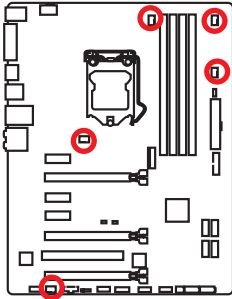
1	VCC	2	VCC
3	USB0-	4	USB1-
5	USB0+	6	USB1+
7	Ground	8	Ground
9	No Pin	10	NC

Important


- Note that the VCC and Ground pins must be connected correctly to avoid possible damage.
- In order to recharge your iPad, iPhone and iPod through USB ports, please install MSI® SUPER CHARGER utility.

CPUFAN1~2, SYSFAN1~3: Fan Connectors


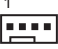
Fan connectors can be classified as PWM (Pulse Width Modulation) Mode and Voltage Mode. PWM Mode fan connectors provide constant 12V output and adjust fan speed with speed control signal. Voltage Mode fan connectors control fan speed by changing voltage. Therefore, when you plug a 3-pin (Non-PWM) fan to a PWM Mode fan connector, the fan speed will be always maintained at 100%, and that could be noisy.



PWM Mode fan connector

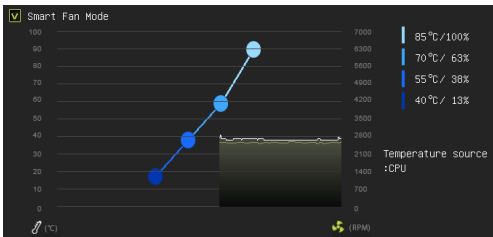
 1 CPUFAN1/ CPUFAN2			
1	Ground	2	+12V
3	Sense	4	Speed Control Signal

Voltage Mode fan connector

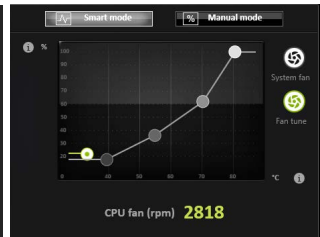
 1 SYSFAN3		 1 SYSFAN1/ SYSFAN2	
1	Ground	2	Voltage Control
3	Sense	4	NC

Controlling the fan speed

There are two ways to manage fan speed. One is to go to **BIOS > HARDWARE MONITOR**. The other is to use **COMMAND CENTER** application.



BIOS > HARDWARE MONITOR

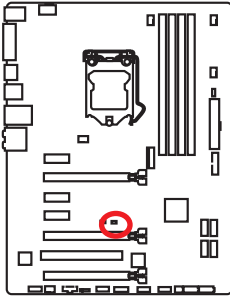


COMMAND CENTER

Both methods offer gradient points of the fan speed that allow you to adjust fan speed in relation to CPU temperature.

JCI1: Chassis Intrusion Connector

This connector allows you to connect the chassis intrusion switch cable.



Normal
(default)



Trigger the chassis
intrusion event

Using chassis intrusion detector

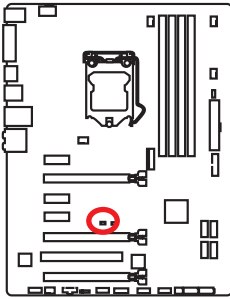
1. Connect the **JCI1** connector to the chassis intrusion switch/ sensor on the chassis.
2. Close the chassis cover.
3. Go to **BIOS > Settings > Security > Chassis Intrusion Configuration**.
4. Set **Chassis Intrusion** to **Enabled**.
5. Press **F10** to save and exit and then press the **Enter** key to select **Yes**.
6. Once the chassis cover is opened again, a warning message will be displayed on screen when the computer is turned on.

Resetting the chassis intrusion warning

1. Go to **BIOS > Settings > Security > Chassis Intrusion Configuration**.
2. Set **Chassis Intrusion** to **Reset**.
3. Press **F10** to save and exit and then press the **Enter** key to select **Yes**.

JBAT1: Clear CMOS (Reset BIOS) Jumper

There is CMOS memory onboard that is external powered from a battery located on the motherboard to save system configuration data. If you want to clear the system configuration, set the jumpers to clear the CMOS memory.



Keep Data
(default)



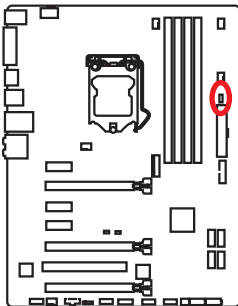
Clear CMOS/
Reset BIOS

Resetting BIOS to default values

1. Power off the computer and unplug the power cord.
2. Use a jumper cap to short JBAT1 for about 5-10 seconds.
3. Remove the jumper cap from JBAT1.
4. Plug the power cord and power on the computer.

EZ Debug LED: Debug LED indicators

These LEDs indicate the status of the motherboard.



- CPU** - indicates CPU is not detected or fail.
- DRAM** - indicates DRAM is not detected or fail.
- VGA** - indicates GPU is not detected or fail.

BIOS Setup

The default settings offer the optimal performance for system stability in normal conditions. You should **always keep the default settings** to avoid possible system damage or failure booting unless you are familiar with BIOS.

Important

- BIOS items are continuously update for better system performance. Therefore, the description may be slightly different from the latest BIOS and should be for reference only. You could also refer to the **HELP** information panel for BIOS item description.
- The pictures in this chapter are for reference only and may vary from the product you purchased.

Entering BIOS Setup

Please refer the following methods to enter BIOS setup.

- Press **Delete** key, when the **Press DEL key to enter Setup Menu, F11 to enter Boot Menu** message appears on the screen during the boot process.
- Use **MSI FAST BOOT** application. Click on **GO2BIOS** button and choose **OK**. The system will reboot and enter BIOS setup directly.



Click on **GO2BIOS**

- Enable the **GO2BIOS** item (**SETTING > Boot > GO2BIOS**) in BIOS setup **Advanced mode** (F7). It allows the system to enter BIOS setup directly by pressing the power button for 4 seconds upon bootup.

Function key

Key	Function	Key	Function
F1	General Help	F3	Enter Favorites menu
F4	Enter CPU Specifications menu	F5	Enter Memory-Z menu
F6	Load optimized defaults	F8	Load Overclocking Profile
F9	Save Overclocking Profile	F10	Save Change and Reset*

* When you press F10, a confirmation window appears and it provides the modification information. Select between **Yes** or **No** to confirm your choice.

Resetting BIOS

You might need to restore the default BIOS setting to solve certain problems. There are several ways to reset BIOS:

- Go to BIOS and press **F6** to load optimized defaults.
- Short the **Clear CMOS** jumper on the motherboard.
- Press the **Clear CMOS** button, on the rear I/O panel. (Only for the motherboard with clear CMOS button.)

Updating BIOS

Updating BIOS with M-FLASH

Before updating:

Please download the latest BIOS file that matches your motherboard model from MSI website. And then save the BIOS file into the USB flash drive.

Updating BIOS:


1. Press Del key to enter the BIOS Setup during POST.
2. Insert the USB flash drive that contains the update file into the computer.
3. Select the **M-FLASH** tab and click on **Yes** to reboot the system and enter the flash mode.
4. Select a BIOS file to perform the BIOS update process.
5. After the flashing process is 100% completed, the system will reboot automatically.

Updating the BIOS with Live Update 6

Before updating:

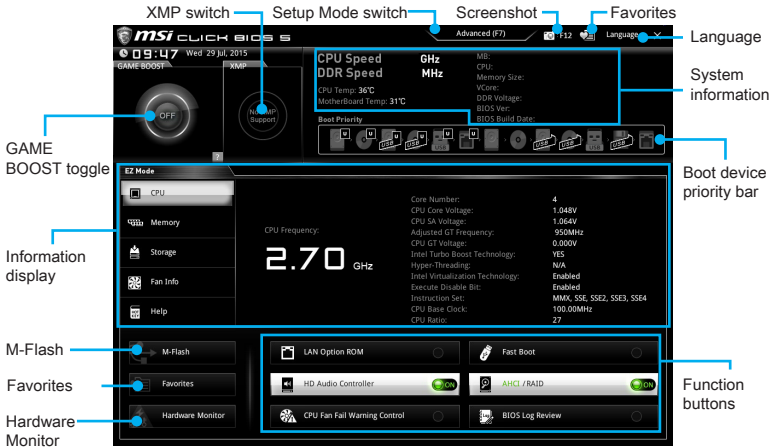
Make sure the LAN driver is already installed and the internet connection is set properly.

Updating BIOS:

1. Install and launch MSI LIVE UPDATE 6.
2. Select **Manual scan**.
3. Check **MB BIOS** box and click on **Scan** button.
4. Select the **MB BIOS** and click on  icon to download and install the latest BIOS file.
5. Click **Next** and choose **In Windows mode**. And then click **Next** and **Start** to start updating BIOS.
6. After the flashing process is 100% completed, the system will restart automatically.

EZ Mode

At EZ mode, it provides the basic system information and allows you to configure the basic setting. To configure the advanced BIOS settings, please enter the Advanced Mode by pressing the **Setup Mode switch** or **F7** function key.



- **Function buttons** - enable or disable the **LAN Option ROM**, **Fast Boot**, **HD audio controller**, **AHCI, RAID**, **CPU Fan Fail Warning Control** and **BIOS Log Review** by clicking on their respective button.
- **Hardware Monitor** - click on this button to display the **Hardware Monitor** menu that allows you to manually control the fan speed by percentage.
- **M-Flash** - click on this button to display the **M-Flash** menu that provides the way to update BIOS with a USB flash drive.
- **Information display** - click on the **CPU**, **Memory**, **Storage**, **Fan Info** and **Help** buttons on left side to display related information.
- **Boot device priority bar** - you can move the device icons to change the boot priority. The boot priority from high to low is left to right.
- **System information** - shows the CPU/ DDR speed, CPU/ MB temperature, MB/ CPU type, memory size, CPU/ DDR voltage, BIOS version and build date.
- **Language** - allows you to select the language of BIOS setup.
- **Screenshot** - press this tab or the **F12** key to take a screenshot and save it to USB flash drive (FAT/ FAT32 format only).
- **Setup Mode switch** - press this tab or the **F7** key to switch between Advanced mode and EZ mode.
- **XMP switch** - click on the inner circle to enable/ disable the X.M.P. (Extreme Memory Profile). Switch the outer circle to select the X.M.P. profile. This switch will only be available if the X.M.P. supported memory module is installed.

- **GAME BOOST toggle** - click on it to toggle the GAME BOOST for OC.



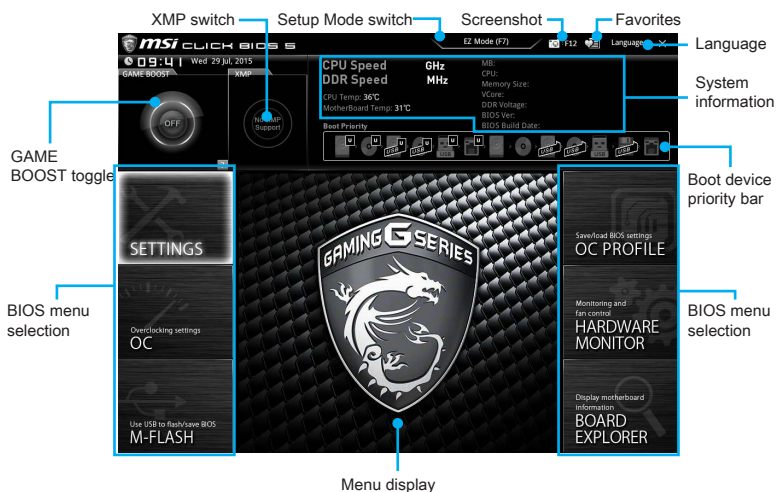
Important

Please don't make any changes in OC menu and don't load defaults to keep the optimal performance and system stability after activating the GAME BOOST function.

- **Favorites** - press any **Favorites** tab or the **F3** key to enter **Favorites** menu. It allows you to create personal BIOS menu where you can save and access favorite/ frequently-used BIOS setting items.
 - ▶ **Default HomePage** - allows you to select a BIOS menu (e.g. SETTINGS, OC...,etc) as the BIOS home page.
 - ▶ **Favorite1~5** - allows you to add the frequently-used/ favorite BIOS setting items in one page.
 - ▶ **To add a BIOS item to a favorite page (Favorite 1~5)**
 1. Select a BIOS item in SETTINGS or OC menu.
 2. Right-click or press **F2** key.
 3. Choose a favorite page and click on **OK**.
 - ▶ **To delete a BIOS item from favorite page**
 1. Select a BIOS item in favorite page (Favorite 1~5)
 2. Right-click or press **F2** key.
 3. Choose **Delete** and click on **OK**.

Advanced Mode

Press **Setup Mode switch** or **F7** function key can switch between EZ Mode and Advanced Mode in BIOS setup.



- **GAME BOOST toggle/ XMP switch/ Setup Mode switch/ Screenshot/ Favorites/ Language/ System information/ Boot device priority bar** - please refer to the descriptions of EZ Mode Overview section.
- **BIOS menu selection** - the following options are available:
 - ▶ **SETTINGS** - allows you to specify the parameters for chipset and boot devices.
 - ▶ **OC** - allows you to adjust the frequency and voltage. Increasing the frequency may get better performance.
 - ▶ **M-FLASH** - provides the way to update BIOS with a USB flash drive.
 - ▶ **OC PROFILE** - allows you to manage overlocking profiles.
 - ▶ **HARDWARE MONITOR** - allows you to set the speeds of fans and monitor voltages of system.
 - ▶ **BOARD EXPLORER** - provides the information of installed devices on this motherboard.
- **Menu display** - provides BIOS setting items and information to be configured.

OC Menu

This menu is for advanced users who want to overclock the motherboard.



Important

- *Overclocking your PC manually is only recommended for advanced users.*
- *Overclocking is not guaranteed, and if done improperly, it could void your warranty or severely damage your hardware.*
- *If you are unfamiliar with overclocking, we advise you to use GAME BOOST function for easy overclocking.*

► **OC Explore Mode [Normal]**

Enables or disables to show the normal or expert version of OC settings.

[Normal] Provides the regular OC settings in BIOS setup.

[Expert] Provides the advanced OC settings for OC expert to configure in BIOS setup.

Note: We use * as the symbol for the OC settings of Expert mode.

► **CPU Ratio Apply Mode [All Core]***

Sets applied mode for CPU ratio. This item only appears when a CPU that supports **Turbo Boost** is installed.

[All Core] Activate the **CPU Ratio** field. All CPU cores will run the same CPU ratio that be set in **CPU Ratio**.

[Per Core] Activate the **X-Core Ratio Limit** field. Sets each CPU core ratio separately in **X-Core Ratio Limit**.

► **CPU Ratio [Auto]**

Sets the CPU ratio that is used to determine CPU clock speed. This item can only be changed if the processor supports this function.

► **1/2/3/4-Core Ratio Limit [Auto]***

Allows you to set the CPU ratios for different number of active cores. These items only appear when a CPU that support this function is installed.

► **Adjusted CPU Frequency**

Shows the adjusted CPU frequency. Read-only.

▶ **CPU Ratio Mode [Dynamic Mode]***

Selects the CPU Ratio operating mode. This item will appear when you set the CPU ratio manually.

[Fixed Mode] Fixes the CPU ratio.

[Dynamic Mode] CPU ratio will be changed dynamically according to the CPU loading.

▶ **Ring Ratio [Auto]**

Sets the ring ratio. The valid value range depends on the installed CPU.

▶ **Adjusted Ring Frequency**

Shows the adjusted Ring frequency. Read-only.

▶ **GT Ratio [Auto]**

Sets the integrated graphics ratio. The valid value range depends on the installed CPU.

▶ **Adjusted GT Frequency**

Shows the adjusted integrated graphics frequency. Read-only.

▶ **Misc Setting***

Press Enter, + or - key to open or close the following 3 items related to CPU features.

▶ **EIST [Enabled]***

Enables or disables the Enhanced Intel® SpeedStep Technology.

[Enabled] Enables the EIST to adjust CPU voltage and core frequency dynamically. It can decrease average power consumption and average heat production.

[Disabled] Disables EIST.

▶ **Intel Turbo Boost [Enabled]***

Enables or disables the Intel® Turbo Boost. This item appears when the installed CPU supports this function.

[Enabled] Enables this function to boost CPU performance automatically above rated specifications when system request the highest performance state.

[Disabled] Disables this function.

▶ **Enhanced Turbo [Auto]**

Enables or disables Enhanced Turbo function for all CPU cores to boost CPU performance.

[Auto] This setting will be configured automatically by BIOS.

[Enabled] All CPU cores would be increased to maximum turbo ratio.

[Disabled] Disables this function.

▶ **CPU Base Clock (MHz) [Default]**

Sets the CPU Base clock. You may overclock the CPU by adjusting this value. Please note that overclocking behavior and stability is not guaranteed. This item appears when a CPU that support this function is installed.

► **CPU Base Clock Apply Mode [Auto]***

Sets the applying mode for adjusted CPU base clock.

- [Auto] This setting will be configured automatically by BIOS.
- [Next Boot] CPU will run the adjusted CPU base clock at next boot.
- [Immediate] CPU runs the adjusted CPU base clock immediately.
- [During Boot] CPU will run the adjusted CPU base clock during boot.

► **Extreme Memory Profile (X.M.P.) [Disabled]**

X.M.P. (Extreme Memory Profile) is the overclocking technology by memory module. This item will be available when the memory modules that support X.M.P. is installed.

- [Disabled] Disables this function.
- [Profile 1] Uses profile1 settings of XMP memory module.
- [Profile 2] Uses profile2 settings of XMP memory module.

► **DRAM Frequency [Auto]**

Sets the DRAM frequency. Please note the overclocking behavior is not guaranteed.

► **Adjusted DRAM Frequency**

Shows the adjusted DRAM frequency. Read-only.

► **Memory Try It ! [Disabled]**

It can improve memory compatibility or performance by choosing optimized memory preset.

► **DRAM Timing Mode [Link]**

Selects the memory timing mode.

- [Link] Allows user to configure the DRAM timing for all memory channel.
- [UnLink] Allows user to configure the DRAM timing for respective memory channel.

► **Advanced DRAM Configuration**

Press <Enter> to enter the sub-menu. User can set the memory timing for each/ all memory channel. The system may become unstable or unbootable after changing memory timing. If it occurs, please clear the CMOS data and restore the default settings. (Refer to the Clear CMOS jumper/ button section to clear the CMOS data, and enter the BIOS to load the default settings.)

► **Memory Fast Boot [Auto] ***

Enables or disables the initiation and training for memory every booting.

- [Auto] The setting will be configured automatically by BIOS.
- [Enabled] System will completely keep the archives of first initiation and training for memory. So the memory will not be initialed and trained when booting to accelerate the system booting time.
- [Disabled] The memory will be initialed and trained every booting.

▶ **CPU Core/ GT Voltage Mode [Auto]***

Selects the control mode for CPU Core/ GT voltages.

- [Auto] This setting will be configured automatically by BIOS.
- [Adaptive Mode] Sets the adaptive voltage automatically for optimizing the system performance.
- [Override Mode] Allows you to set the voltage manually.
- [Offset Mode] Allows you to set the offset voltage and select the voltage offset mode.
- [Adaptive + Offset] Sets the adaptive voltage automatically and allows you to set the offset voltage.
- [Override + Offset] Allows you to set the voltage and the offset voltage manually.

▶ **CPU Voltages control [Auto]**

These options allows you to set the voltages related to CPU. If set to **Auto**, BIOS will set these voltages automatically or you can set it manually.

▶ **DRAM Voltages control [Auto]**

These options allows you to set the voltages related to memory. If set to **Auto**, BIOS will set these voltages automatically or you can set it manually.

▶ **CPU Memory Changed Detect [Enabled]***

Enables or disables the system to issue a warning message during boot when the CPU or memory has been replaced.

- [Enabled] The system will issue a warning message during boot and then you have to load the default settings for new devices.
- [Disabled] Disables this function and keeps the current BIOS settings.

▶ **OC Quick View Timer [3 Sec]***

Sets a time to allow the BIOS to show the variations of CPU base clock, CPU ratio, Ring ratio and DRAM ratio if any. If set to Disabled, BIOS will not show the variations when you change the CPU base clock, CPU ratio, Ring ratio and DRAM ratio.

▶ **CPU Specifications**

Press <Enter> to enter the sub-menu. This sub-menu displays the information of installed CPU. You can also access this information menu at any time by pressing [F4]. Read only.

▶ **CPU Technology Support**

Press <Enter> to enter the sub-menu. The sub-menu shows the key features of installed CPU. Read only.

▶ **MEMORY-Z**

Press <Enter> to enter the sub-menu. This sub-menu displays all the settings and timings of installed memory. You can also access this information menu at any time by pressing [F5].

▶ **DIMM1~4 Memory SPD**

Press <Enter> to enter the sub-menu. The sub-menu displays the information of installed memory. Read only.

► CPU Features

Press <Enter> to enter the sub-menu.

► Hyper-Threading [Enabled]

Intel Hyper-Threading technology treats the multi cores inside the processor as multi logical processors that can execute instructions simultaneously. In this way, the system performance is highly improved. This item appears when the installed CPU supports this technology.

[Enabled] Enables Intel Hyper-Threading technology.

[Disabled] Disables this item if the system does not support HT function.

► Active Processor Cores [All]

Allows you to select the number of active CPU cores.

► Limit CPUID Maximum [Disabled]

Enables or disables the extended CPUID value.

[Enabled] BIOS limits the maximum CPUID input value to circumvent boot problems with older operating system that do not support the processor with extended CPUID value.

[Disabled] Use the actual maximum CPUID input value.

► Execute Disable Bit [Enabled]

Intel's Execute Disable Bit functionality can prevent certain classes of malicious **buffer overflow** attacks where worms attempt to execute code to damage the system. It is recommended that keeps this item enabled always.

[Enabled] Enables NO-Execution protection to prevent the malicious attacks and worms.

[Disabled] Disables this function.

► Intel Virtualization Tech [Enabled]

Enables or disables Intel Virtualization technology.

[Enabled] Enables Intel Virtualization technology and allows a platform to run multiple operating systems in independent partitions. The system can function as multiple systems virtually.

[Disabled] Disables this function.

► Intel VT-D Tech [Disabled]

Enables or disables Intel VT-D (Intel Virtualization for Directed I/O) technology.

► Hardware Prefetcher [Enabled]

Enables or disables the hardware prefetcher (MLC Streamer prefetcher).

[Enabled] Allows the hardware prefetcher to automatically pre-fetch data and instructions into L2 cache from memory for tuning the CPU performance.

[Disabled] Disables the hardware prefetcher.

▶ **Adjacent Cache Line Prefetch [Enabled]**

Enables or disables the CPU hardware prefetcher (MLC Spatial prefetcher).

[Enabled] Enables adjacent cache line prefetching for reducing the cache latency time and tuning the performance to the specific application.

[Disabled] Enables the requested cache line only.

▶ **CPU AES Instructions [Enabled]**

Enables or disables the CPU AES (Advanced Encryption Standard-New Instructions) support. This item appears when a CPU supports this function.

▶ **Intel Adaptive Thermal Monitor [Enabled]**

Enables or disables the Intel adaptive thermal monitor function to protect the CPU from overheating.

[Enabled] Throttles down the CPU core clock speed when the CPU is over the adaptive temperature.

[Disabled] Disables this function.

▶ **Intel C-State [Auto]**

Enables or disables the Intel C-state. C-state is a processor power management technology defined by ACPI.

[Auto] This setting will be configured automatically by BIOS.

[Enabled] Detects the idle state of system and reduce CPU power consumption accordingly.

[Disabled] Disable this function.

▶ **C1E Support [Disabled]**

Enables or disables the C1E function for power-saving in halt state. This item appears when **Intel C-State** is enabled.

[Enabled] Enables C1E function to reduce the CPU frequency and voltage for power-saving in halt state.

[Disabled] Disables this function.

▶ **Package C State limit [Auto]**

This item allows you to select a CPU C-state level for power-saving when system is idle. The options of C-state depend on the installed CPU. This item appears when **Intel C-State** is enabled.

▶ **CFG Lock [Enabled]**

Lock or un-lock the MSR 0xE2[15], CFG lock bit.

[Enabled] Locks the CFG lock bit.

[Disabled] Un-locks the CFG lock bit.

▶ **EIST [Enabled]**

Enables or disables the Enhanced Intel® SpeedStep Technology. This item will appear when **OC Explore Mode** is set to **Normal**.

[Enabled] Enables the EIST to adjust CPU voltage and core frequency dynamically. It can decrease average power consumption and average heat production.

[Disabled] Disables EIST.

▶ **Intel Turbo Boost [Enabled]**

Enables or disables the Intel® Turbo Boost. This item is for **Normal mode** and appears when a CPU that support Turbo Boost is installed.

[Enabled] Enables this function to boost CPU performance automatically over specification when system request the highest performance state.

[Disabled] Disables this function.

▶ **Long Duration Power Limit (W) [Auto]**

Sets the long duration TDP power limit for CPU in Turbo Boost mode.

▶ **Long Duration Maintained (s) [Auto]**

Sets the maintaining time for Long duration power Limit(W).

▶ **Short Duration Power Limit (W) [Auto]**

Sets the short duration TDP power limit for CPU in Turbo Boost mode.

▶ **CPU Current Limit (A) [Auto]**

Sets maximum current limit of CPU package in Turbo Boost mode. When the current is over the specified value, the CPU will automatically reduce the core frequency for reducing the current.

▶ **FCLK Frequency [Auto]**

Sets FCLK frequency. Lower FCLK frequency may help you to set higher base clock frequency.

▶ **DMI Link Speed [Auto]**

Sets DMI speed.

Software Description

Installing Windows® 7/ 8.1/ 10

1. Power on the computer.
2. Insert the Windows® 7/ 8.1/ 10 disc into your optical drive.
Note: Due to chipset limitation, during the Windows 7 installation process, USB optical drives or USB flash drives are not supported.
3. Press the **Restart** button on the computer case.
4. For windows 8.1/ 10, skip this step. For Windows 7, access the BIOS menu **SETTING > Advanced > Windows OS Configuration > Windows 7 Installation** and set the item to enabled, save changes and restart.
Note: It is suggested to plug in your USB Keyboard/ USB Mouse to the leftmost USB port when installing Windows® 7.
5. Press **F11** key during the computer POST (Power-On Self Test) to get into Boot Menu.
6. Select your optical drive from the Boot Menu.
7. Press any key when screen shows **Press any key to boot from CD or DVD...** message.
8. Follow the instructions on the screen to install Windows® 7/ 8.1/ 10.

Installing Drivers

1. Start up your computer in Windows® 7/ 8.1/ 10.
2. Insert MSI® Driver Disc into your optical drive.
3. The installer will automatically appear and it will find and list all necessary drivers.
4. Click **Install** button.
5. The software installation will then be in progress, after it has finished it will prompt you to restart.
6. Click **OK** button to finish.
7. Restart your computer.

Installing Utilities

Before you install utilities, you must complete drivers installation.

1. Insert MSI® Driver Disc into your optical drive.
2. The installer will automatically appear.
3. Click **Utilities** tab.
4. Select the utilities you want to install.
5. Click **Install** button.
6. The utilities installation will then be in progress, after it has finished it will prompt you to restart.
7. Click **OK** button to finish.
8. Restart your computer.

Inhalt

Sicherheitshinweis	2
Spezifikationen.....	3
Rückseite E/A	9
LAN Port LED Zustandstabelle.....	9
Konfiguration der Audioanschlüsse.....	9
Übersicht der Komponenten.....	11
CPU Sockel.....	12
DIMM-Steckplätze	13
PCI_E1~6, PCI1: PCIe/ PCI Erweiterungssteckplätze	14
SATA1~6: SATA 6Gb/s Anschlüsse.....	16
SE1_21: SATAe Anschluss	16
M2_1: M.2 Steckplatz	17
JPWR1~2: Stromanschlüsse.....	18
JFP1, JFP2: Frontpanel-Anschlüsse.....	19
JAUD1: Audioanschluss des Frontpanels	19
JTPM1: TPM Anschluss	19
JUSB3: USB 3.1 Gen1 Anschluss.....	20
JUSB1~2: USB 2.0 Anschlüsse.....	20
CPUFAN1~2, SYSFAN1~3: Stromanschlüsse für Lüfter	21
JCI1: Gehäusekontaktanschluss	22
JBAT1: Steckbrücke zur CMOS-Löschung (Reset des BIOS)	23
EZ Debug LED: Debug LED-Anzeigen.....	23
BIOS-Setup.....	24
Öffnen des BIOS Setups	24
Reset des BIOS.....	25
Aktualisierung des BIOS.....	25
EZ Modus	26
Erweiterten Modus	28
OC-Menü.....	29
Softwarebeschreibung.....	37
Installation von Windows® 7/ 8.1/ 10	37
Installation von Treibern	37
Installation von Utilities	37

Sicherheitshinweis

- Die im Paket enthaltene Komponenten sind anfällig für Beschädigungen durch elektrostatische Entladung (ESD). Beachten Sie bitte die folgenden Hinweise, um eine erfolgreiche Computermontage sicherzustellen.
- Stellen Sie sicher, dass alle Komponenten fest angeschlossen sind. Lockere Steckverbindungen können Probleme verursachen, wie zum Beispiel: Der Computer erkennt eine Komponente nicht oder startet nicht.
- Halten Sie das Motherboard nur an den Rändern fest, und vermeiden Sie die Berührung der sensiblen Komponenten.
- Um eine Beschädigung der Komponenten durch elektrostatische Entladung (ESD) zu vermeiden, sollten Sie ein elektrostatisches Armband während der Handhabung des Motherboards tragen. Wenn kein elektrostatisches Handgelenkband vorhanden ist, sollten Sie Ihre statische Elektrizität ableiten, indem Sie ein anderes Metallobjekt berühren, bevor Sie das Motherboard anfassen.
- Bewahren Sie das Motherboard in einer elektrostatisch geschützten Verpackung oder einem Antistatiktuch, wenn das Motherboard nicht installiert ist.
- Überprüfen Sie vor dem Einschalten des Computers, dass sich keine losen Schrauben und andere Bauteile auf dem Motherboard oder im Computergehäuse befinden.
- Bitte starten Sie den Computer nicht, bevor die Installation abgeschlossen ist. Dies könnte permanente Schäden an den Komponenten sowie zu Verletzungen des Benutzers führen.
- Benötigen Sie Hilfe während der Installation, wenden Sie sich bitte an einen zertifizierten Computer-Techniker.
- Schalten Sie die Stromversorgung aus und ziehen Sie das Netzkabel ab, bevor Sie jegliche Computer-Komponente ein- und ausbauen.
- Bewahren Sie die Bedienungsanleitung als künftige Referenz auf.
- Halten Sie das Motherboard von Feuchtigkeit fern.
- Bitte stellen Sie sicher, dass die Steckdosenspannung mit der des Netzteils übereinstimmt, bevor Sie das Netzteil an die Steckdose anschließen.
- Verlegen Sie das Netzkabel so, dass niemand versehentlich darauf treten kann. Stellen Sie nichts auf dem Netzkabel ab.
- Alle Achtungs- und Warnhinweise auf dem Motherboard müssen befolgt werden.
- Falls einer der folgenden Umstände eintritt, lassen Sie bitte das Motherboard von Kundendienstpersonal prüfen:
 - ▶ Flüssigkeit ist in dem Computer eingedrungen.
 - ▶ Das Motherboard wurde Feuchtigkeit ausgesetzt.
 - ▶ Das Motherboard funktioniert nicht richtig oder Sie können es nicht, wie in der Bedienungsanleitung beschrieben, bedienen.
 - ▶ Das Motherboard ist heruntergefallen und beschädigt.
 - ▶ Das Motherboard weist offensichtlich Zeichen einer Beschädigung auf.
- Nutzen und lagern Sie das Gerät nicht an Orten, an denen Temperaturen von mehr als 60°C herrschen - das Motherboard kann in diesem Fall Schaden nehmen.

Spezifikationen

CPU	Unterstützt Intel® Core™ i3/i5/i7 Prozessoren der 6.Generation, und Intel® Pentium® und Celeron® Prozessoren für Sockel LGA1151
Chipsatz	Intel® Z170 Chipsatz
Speicher	<ul style="list-style-type: none"> • 4x DDR4 Speicherplätze, aufrüstbar bis 64GB • Unterstützt DDR4 3600(OC)/ 3200(OC)/ 3000(OC)/ 2800(OC)/ 2600(OC)/ 2400/ 2133 MHz • Dual-Kanal-Speicherarchitektur • Unterstützt ungepufferte ECC-Speicher • Unterstützt Intel® Extreme Memory Profile (XMP)
Erweiterungsanschlüsse	<ul style="list-style-type: none"> • 3x PCIe 3.0 x16-Steckplätze (unterstützt x16/x0/x4 oder x8/x8/x4 Modus) • 3x PCIe 3.0 x1-Steckplätze • 1x PCI-Steckplatz
Onboard-Grafik	<ul style="list-style-type: none"> • 1x HDMI™ Anschluss, unterstützt eine maximale Auflösung von 4096x2160@24Hz, 2560x1600@60Hz • 1x DVI-D Anschluss, unterstützt eine maximale Auflösung von 1920x1200@60Hz
Multi-GPU	<ul style="list-style-type: none"> • Unterstützt 3-Wege AMD® CrossFire™ Technologie • Unterstützt 2-Wege NVIDIA® SLI™ Technologie
Aufbewahrung	<p>Intel® Z170 Chipsatz</p> <ul style="list-style-type: none"> • 6x SATA 6Gb/s Anschlüsse* (2 Anschlüsse sind für den SATA-Express-Anschluss reserviert) • 1x M.2-Steckplatz* <ul style="list-style-type: none"> ▶ Unterstützt PCIe 3.0 x4 und SATA 6Gb/s Standards, 4,2cm/ 6cm/ 8cm lange M.2 SSD-Karten ▶ Unterstützt PCIe 3.0 x4 NVMe Mini-SAS SSD mit Turbo U.2 Hostkarte** • 1x SATAe Anschluss (PCIe 3.0 x2)*** • Unterstützt Intel® Smart Response Technologie für Intel Core™ Prozessoren <p>* SATA5 und SATA6 Anschlüsse werden nicht zur Verfügung stehen, wenn Sie ein M.2-Modul in den M.2 Steckplatz installieren.</p> <p>**Die Turbo U.2 Hostkarte ist im Lieferumfang nicht enthalten, bitte separat kaufen.</p> <p>*** Der SATAe Anschluss ist abwärtskompatibel mit SATA-Geräten. SATA und SATAe Anschlüsse unterstützen maximal 6x SATAs oder 1x SATAe + 4x SATAs.</p>

Fortsetzung auf der nächsten Seite

Fortsetzung der vorherigen Seite

RAID	<p>Intel® Z170 Chipsatz</p> <ul style="list-style-type: none">• Unterstützt RAID 0, RAID 1, RAID 5 und RAID 10 für SATA Speichergeräte
USB	<ul style="list-style-type: none">• ASMedia® ASM1142 Chipsatz (Z170A KRAIT GAMING)<ul style="list-style-type: none">▶ 2x USB 3.1 Gen2 (SuperSpeed USB 10Gbps) Anschlüsse an der rückseitigen Anschlussleiste• Intel® Z170 Chipsatz<ul style="list-style-type: none">▶ 6x USB 3.1 Gen1 (SuperSpeed USB) Anschlüsse (4 Anschlüsse an der rückseitigen Anschlussleiste, 2 stehen durch die internen USB 3.1 Gen1 Anschlüsse zur Verfügung)▶ 6x USB 2.0 (High-speed USB) Anschlüsse (2 Anschlüsse an der rückseitigen Anschlussleiste, 4 Anschlüsse stehen durch die internen USB 2.0 Anschlüsse zur Verfügung) (Z170A KRAIT GAMING)▶ 8x USB 2.0 (High-speed USB) Anschlüsse (4 Anschlüsse an der rückseitigen Anschlussleiste, 4 Anschlüsse stehen durch die internen USB 2.0 Anschlüsse zur Verfügung) (Z170 KRAIT GAMING)
Audio	<ul style="list-style-type: none">• Realtek® ALC1150 Codec• 7,1-Kanal-HD-Audio• Unterstützt S/PDIF-Ausgang
LAN	1x Intel® I219-V Gigabit LAN Controller
Hinterer Ein-/ und Ausgänge	<ul style="list-style-type: none">• PS/2 Tastatur-/ Maus-Anschluss x1• USB 2.0 Anschlüsse x2 (Z170A KRAIT GAMING)• USB 2.0 Anschlüsse x4 (Z170 KRAIT GAMING)• DVI-D Anschluss x1• USB 3.1 Gen2 Anschlüsse x2 (Z170A KRAIT GAMING)• USB 3.1 Gen1 Anschlüsse x4• HDMI™ Anschluss x1• LAN (RJ45) Anschluss x1• Optischer S/PDIF-Ausgang x1• OFC Audiobuchsen x5

Fortsetzung auf der nächsten Seite

Fortsetzung der vorherigen Seite

Interne Anschlüsse	<ul style="list-style-type: none">• ATX 24-poliger Stromanschluss x1• ATX12V 8-poliger Stromanschluss x1• SATA 6Gb/s Anschlüsse x6• SATAe Anschluss x1• USB 2.0 Anschlüsse x2 (unterstützt zusätzliche 4 USB 2.0-Ports)• USB 3.1 Gen1 Anschluss x1 (unterstützt zusätzliche 2 USB 3.1 Gen1-Ports)• 4-poliger CPU-Lüfter-Anschlüsse x2• 4-poliger System-Lüfter-Anschlüsse x3• Audioanschluss des Frontpanels x1• Frontpanel-Anschlüsse x2• TPM Anschluss x1• Gehäusekontaktschalter x1• Steckbrücke zur CMOS-Löschung x1
E/A Anschluss	NUVOTON NCT6793 Controller Chip
Hardware Monitor	<ul style="list-style-type: none">• CPU/System Temperaturefassung• CPU/System Geschwindigkeitserfassung• CPU/System Lüfterdrehzahlregelung
Formfaktor	<ul style="list-style-type: none">• ATX Formfaktor• 12 Zoll x 9,25 Zoll (30,5 cm x 23,4 cm)
BIOS Funktionen	<ul style="list-style-type: none">• 1x 128 Mb Flash• UEFI AMI BIOS• ACPI 5.0, PnP 1.0a, SM BIOS 2.8• Mehrsprachenunterstützung

Fortsetzung auf der nächsten Seite

Fortsetzung der vorherigen Seite

Software	<ul style="list-style-type: none">• Treiber• COMMAND CENTER• LIVE UPDATE 6• FAST BOOT• SUPER CHARGER• GAMING APP• M-CLOUD• RAMDISK• GAMING LAN MANAGER• Open Broadcaster Software• Intel® Extreme Tuning Utility• Norton™ Security• Google Chrome™, Google Toolbar, Google Drive• SteelSeries Engine 3• CPU-Z
----------	---

Fortsetzung auf der nächsten Seite

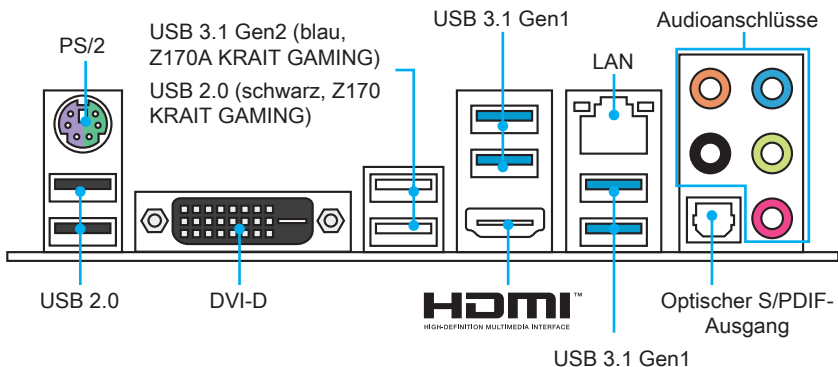
Fortsetzung der vorherigen Seite

Gaming- Performance Funktionen	<ul style="list-style-type: none">• AUDIO BOOST 3<ul style="list-style-type: none">▶ Isoliertes Audio PCB▶ EMI-Abschirmung▶ Dual-Kopfhörerverstärker▶ Hochwertige Audio-Kondensatoren▶ Goldene Audio Anschlüsse• GAME BOOST<ul style="list-style-type: none">▶ Easy Overclocking• GAMING LAN<ul style="list-style-type: none">▶ Intel I219-V Gigabit Ethernet▶ MSI Network Manager▶ Electric Wave Surge• GAMING APP<ul style="list-style-type: none">▶ System Modus umschalten: OC/Gaming/Silent▶ Gaming-Hotkey▶ Gaming-Maussteuerung• GAMING CERTIFIED• Öffnen Broadcaster Software<ul style="list-style-type: none">▶ Verschlüsselung von H264 (x264) und AAC.▶ Unterstützung für Intel Quick Sync Video (QSV) und NVENC.▶ Unlimitierte Szenen und Quellen.▶ Live RTMP-Übertragungen auf Twitch, YouTube, DailyMotion, Hitbox und mehr.
--------------------------------------	---

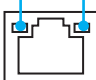
Fortsetzung auf der nächsten Seite

<p>MSI Exklusive Merkmale</p>	<ul style="list-style-type: none"> • CLICK BIOS 5 <ul style="list-style-type: none"> ▶ EZ Modus & Erweitertes Modus umschalten ▶ Board Explorer ▶ Hardware Monitor • MILITARY CLASS 5 <ul style="list-style-type: none"> ▶ Military Class Komponenten ▶ Military Class Stabilität und Zuverlässigkeit <ul style="list-style-type: none"> - ESD-Schutz - EMI-Schutz - Luftfeuchtigkeit Schutz - Schaltkreisschutz - Übertemperaturschutz - Steel Armor PCIe Steckplätze • COMMAND CENTER <ul style="list-style-type: none"> ▶ System Monitor ▶ Smart-Lüftersteuerung • RAMDISK • LIVE UPDATE 6 • M-CLOUD • CPU-Z • EZ Debug LED
<p>Spezifikation-Highlights</p>	<ul style="list-style-type: none"> • DDR4 Boost <ul style="list-style-type: none"> ▶ Dual-Kanal DDR4 Speicher ▶ Isolierte DDR4 Schaltungsentwicklung ▶ DDR4 XMP Ready • PCI Express 3.0 <ul style="list-style-type: none"> ▶ 2-Wege Nvidia SLI™ ▶ 3-Wege AMD CrossFire™ • USB 3.1 Gen2 Ready (Z170A KRAIT GAMING) <ul style="list-style-type: none"> ▶ USB 3.1 Gen2 (10 Gb/s) Typ-A Ready • Turbo M.2 Ready <ul style="list-style-type: none"> ▶ PCIe 3.0 x4 (32 Gb/s) ▶ PCIe / SATA Dual Modus • SATA Express • NVMe / AHCI Treiber • U.2 (optional)

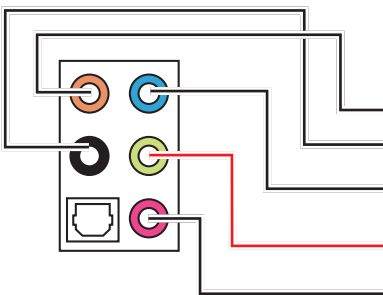
Rückseite E/A



LAN Port LED Zustandstabelle

Verbindung/ Aktivität LED			Geschwindigkeit LED	
Zustand	Bezeichnung		Zustand	Bezeichnung
Aus	Keine Verbindung		Off	10 Mbps-Verbindung
Gelb	Verbindung		Green	100 Mbps-Verbindung
Blinkt	Datenaktivität		Orange	1 Gbps-Verbindung

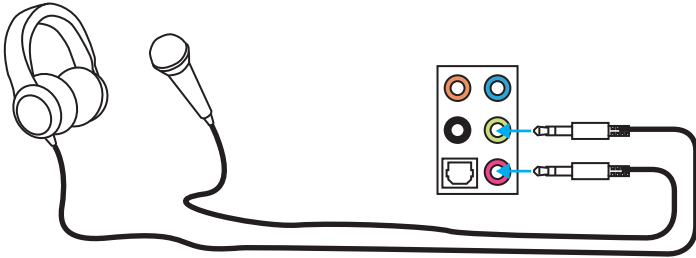
Konfiguration der Audioanschlüsse



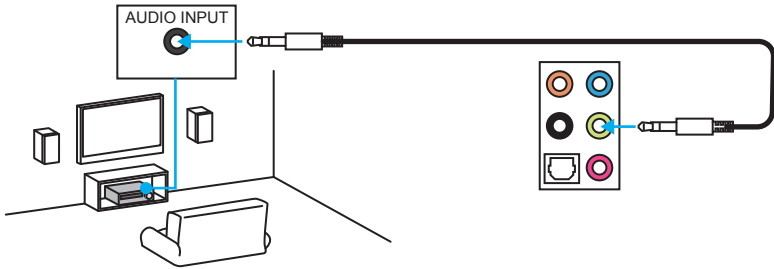
Audioanschlüsse	Kanal			
	2	4	6	8
Mitte-/ Subwoofer-Ausgang			•	•
Hinterer Lautsprecher		•	•	•
Line-In/ Seitliche Lautsprecher				•
Line-Out/ Vorderer Lautsprecher	•	•	•	•
Mic In				

(•: verbindet, **Blank**:leer)

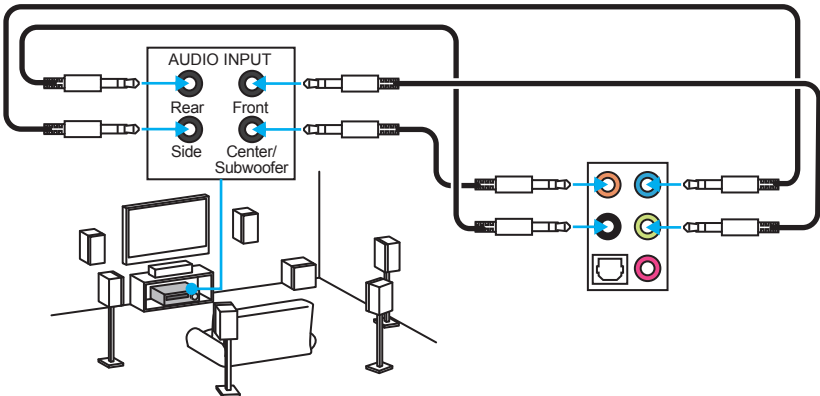
Audiobuchsen für den Anschluss von einem Kopfhörer und Mikrofon



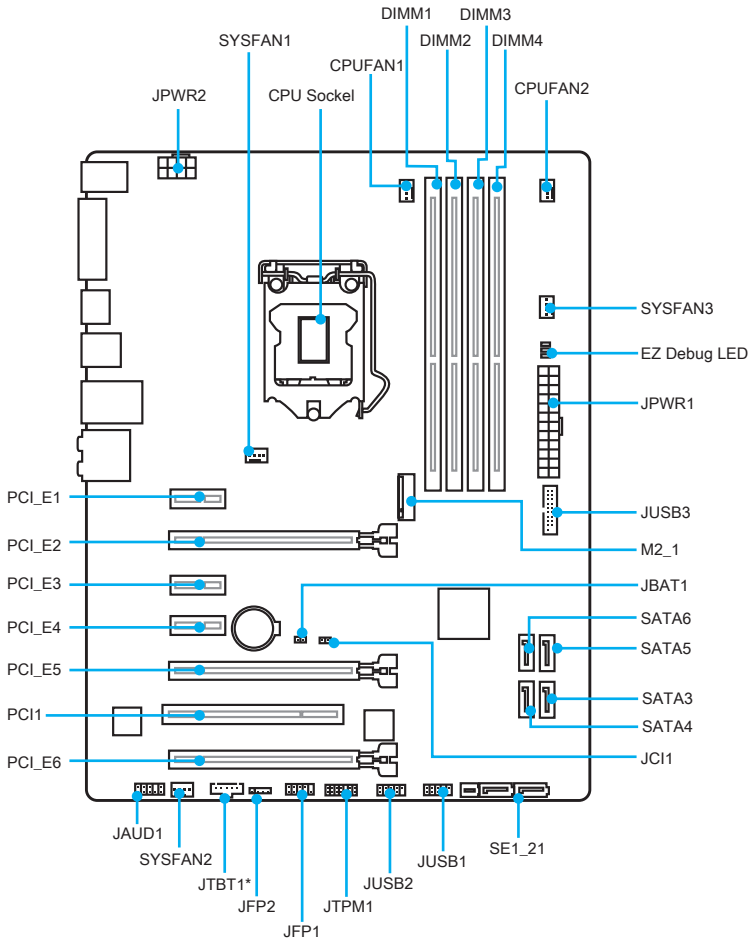
Audiobuchsen für Stereo-Lautsprecher



Audiobuchsen für 7.1 Kanal Anlage

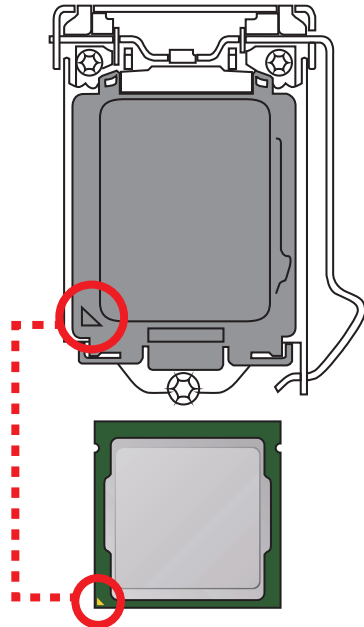
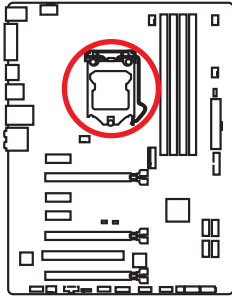


Übersicht der Komponenten



* JTBT1 dient dem Einsatz einer bestimmten Karte.

CPU Socket



Erklärung zur LGA 1151 CPU

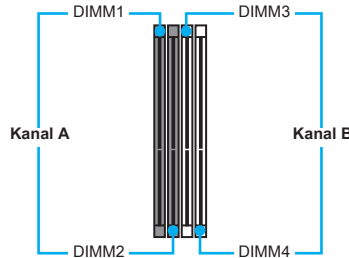
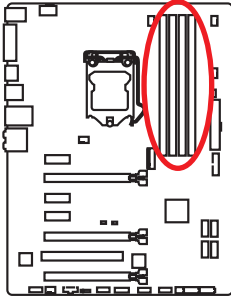
Die Oberseite der LGA 1151 CPU hat zwei **Justierungen** und ein **goldenes Dreieck** um die korrekte Ausrichtung der CPU auf dem Motherboard zu gewährleisten. Das goldene Dreieck des Prozessors definiert die Position des ersten Pins.



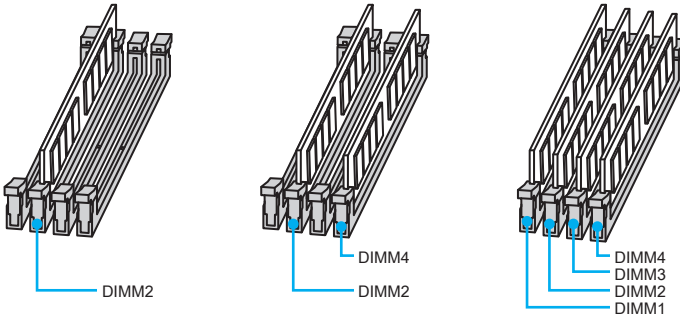
Wichtig

- Ziehen Sie das Netzkabel ab, bevor Sie CPU ein- und ausbauen.
- Bitte bewahren Sie die CPU Schutzklappe nach der Installation des Prozessors auf. MSI wird RMA (Return Merchandise Authorization) Anfragen nur dann behandeln, wenn die Schutzklappe auf dem CPU-Sockel des Motherboards sitzt.
- Wenn Sie eine CPU einbauen, denken sie bitte daran, einen CPU-Kühler zu installieren. Ein CPU-Kühlkörper ist notwendig, um eine Überhitzung zu vermeiden und die Systemstabilität zu gewährleisten.
- Stellen Sie sicher, dass Ihr Kühlkörper eine feste Verbindung mit der CPU hergestellt hat, bevor Sie Ihr System starten.
- Überhitzung beschädigt die CPU und das System nachhaltig. Stellen Sie stets eine korrekte Funktionsweise des CPU Kühlers sicher, um die CPU vor Überhitzung zu schützen. Stellen Sie sicher, dass eine gleichmäßige Schicht der thermischen Paste zwischen der CPU und dem Kühlkörper vorhanden ist, um die Wärmeableitung zu erhöhen.
- Schützen Sie den CPU-Sockel immer mit der Plastikabdeckung, wenn keine CPU installiert ist.
- Verwenden Sie bitte die Installationsanweisung des Kühlkörper/Kühlers, falls Sie eine separate CPU oder Kühlkörper/Kühler erworben haben.
- Dieses Motherboard wurde so entworfen, dass es Übertakten unterstützt. Stellen Sie jedoch bitte sicher, dass die betroffenen Komponenten mit den abweichenden Einstellungen während des Übertaktens zurecht kommen. Von jedem Versuch des Betriebes außerhalb der Produktspezifikationen kann nur abgeraten werden. MSI® übernimmt keinerlei Garantie für die Schäden und Risiken, die aus einem unzulässigem Betrieb oder einem Betrieb außerhalb der Produktspezifikation resultieren.

DIMM-Steckplätze



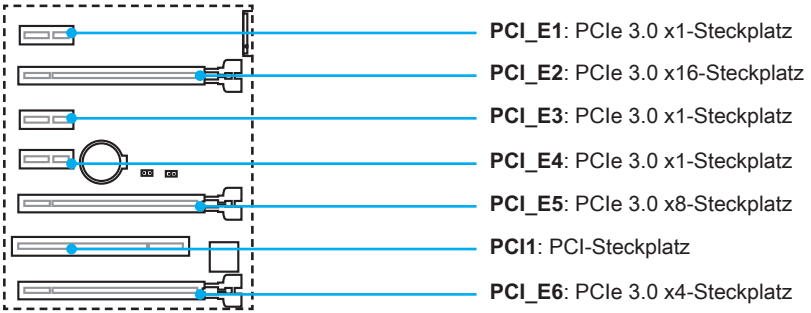
Speichermodul-Installationsempfehlung



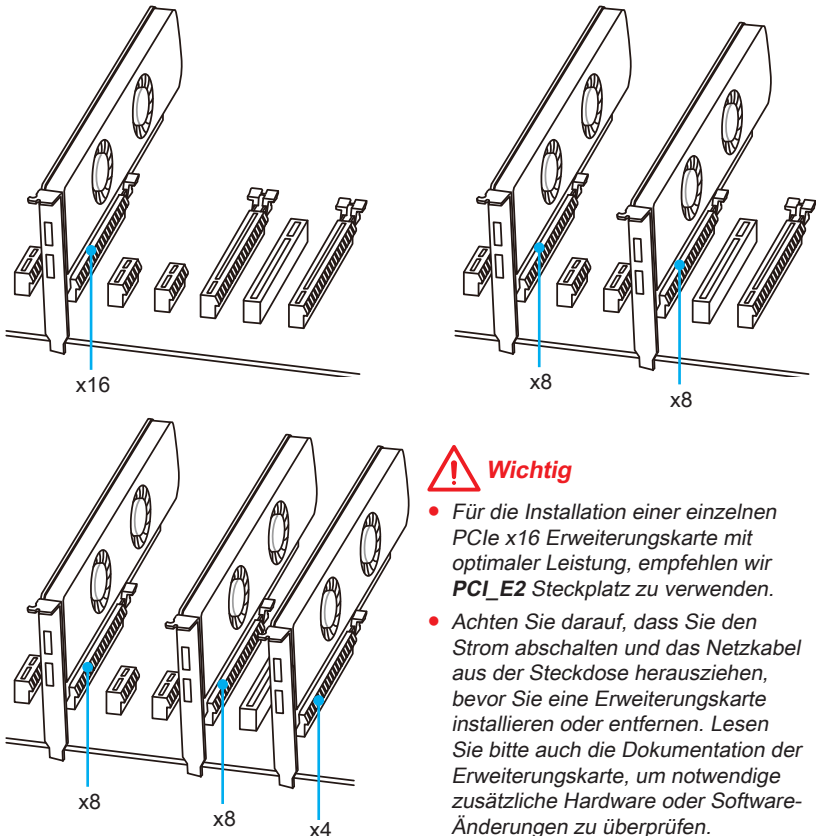
! Wichtig

- Um einen sicheren Systemstart zu gewährleisten, bestücken Sie immer **DIMM2** zuerst.
- Aufgrund der Chipsatzressourcennutzung wird die verfügbare Kapazität des Speichers kleiner sein als die Größe der installierten Speicherkapazität.
- Basierend auf der Intel CPU Spezifikation wird eine Speicherspannung unter 1,35 Volt vorgeschlagen, um die CPU zu schützen.
- Bitte beachten Sie, dass die maximale Kapazität eines 32-Bit-Windows-Betriebssystem bei 4GB oder weniger liegt. Wenn Sie mehr als 4 GB Speicher auf dem Motherboard einbauen möchten, empfehlen wir deshalb, ein 64-Bit-Windows-Betriebssystem zu installieren.
- Einige Speicherriegel können beim Übertakten auf einer niedrigeren Frequenz arbeiten, als der festgelegte Wert - abhängig von dem SPD (Serial Presence Detect). Gehen Sie im BIOS-Setup und finden Sie **Memory Try It!**, um die Speicherfrequenz einzustellen, wenn Sie den Speicher auf der festgelegten oder mit einer höheren Frequenz arbeiten möchten.
- Es wird empfohlen, ein effizienteres Speicherkühlsystem bei einer Vollbestückung des DIMMs oder beim Übertakten zu verwenden.
- Die Stabilität und Kompatibilität beim Übertakten der installierten Speichermodule sind abhängig von der installierten CPU und Geräte.

PCI_E1~6, PCI1: PCIe/ PCI Erweiterungssteckplätze



Mehrere Grafikkarten Einbauempfehlung

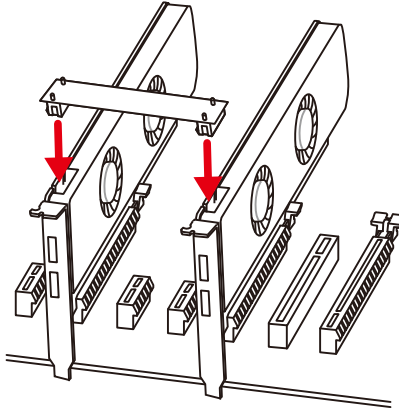


Einbau von SLI-Grafikkarten

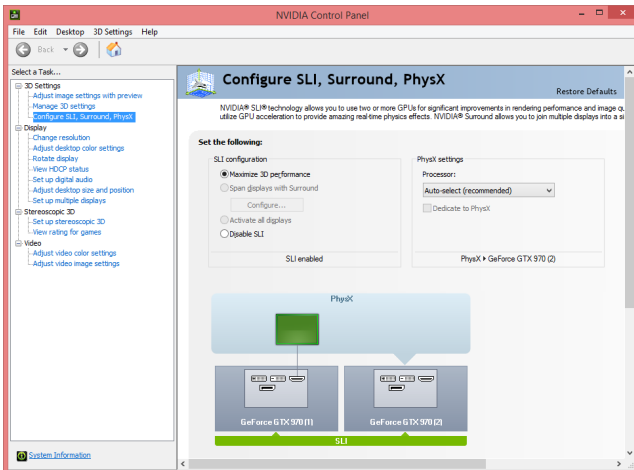
Stellen Sie eine ausreichende Stromversorgung für SLI-Konfigurationen sicher. Die notwendigen Informationen können Sie aus dem Handbuch Ihrer Grafikkarte entnehmen.

Installation der SLI-Grafikkarten:

1. Schalten Sie Ihren Computer aus und ziehen Sie die Kabel ab. Installieren Sie Ihre Grafikkarten im **PCI_E2** und **PCI_E5** Slot.
2. Verbinden Sie beide Karten mit einer **SLI-Brücke**.

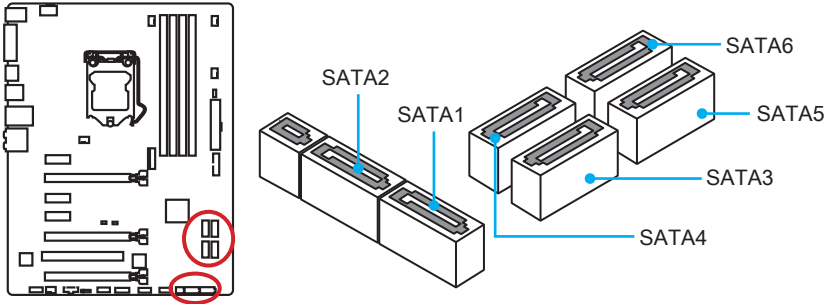


3. Verbinden Sie alle PCIe-Stromanschlüsse der Grafikkarten.
4. Schließen Sie das Netzkabel wieder an und schalten Sie den Computer ein. Installieren Sie die Treiber und die Software, die im Lieferumfang Ihrer Grafikkarten enthalten sind.
5. Klicken Sie in Ihrem Windows-Desktop auf die rechte Maustaste, und wählen Sie **NVIDIA Control Panel** aus dem Menü aus. Klicken Sie auf **Configure SLI, Surround, PhysX** im linken Task-Fensterbereich und wählen Sie **Maximize 3D performance** im SLI-Konfigurationsmenü aus, und klicken Sie dann auf **Anwenden (Apply)**.



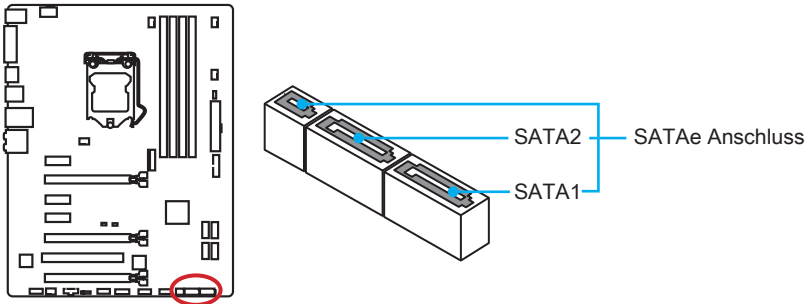
SATA1~6: SATA 6Gb/s Anschlüsse

Diese Anschlüsse basieren auf der Hochgeschwindigkeitsschnittstelle SATA 6Gb/s. Pro Anschluss kann ein SATA Gerät angeschlossen werden.



SE1_21: SATAe Anschluss

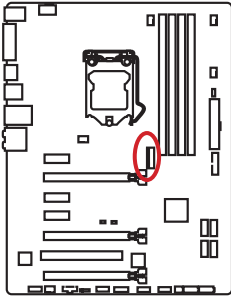
Dieser Anschluss ist SATAe (SATA Express) Schnittstellenmodul. Pro SATAe Anschluss kann ein SATAe-Gerät oder zwei ältere SATA-Geräte angeschlossen werden.



Wichtig

- SATA5~6 Anschlüsse werden nicht zur Verfügung stehen, wenn Sie ein M.2-Modul in den M.2 Steckplatz installieren.
- Knicken Sie das SATA- oder SATAe-Kabel nicht in einem 90° Winkel. Datenverlust könnte die Folge sein.
- SATA-Kabel hat identische Stecker an beiden Enden. Es wird empfohlen den flachen Stecker auf dem Motherboard einstecken.

M2_1: M.2 Steckplatz



! Wichtig

- SATA5~6 Anschlüsse werden nicht zur Verfügung stehen, wenn Sie ein M.2-Modul in den M.2 Steckplatz installieren.
- Intel® RST unterstützt nur PCIe M.2 SSD mit UEFI ROM, Legacy-ROM wird NICHT unterstützt.



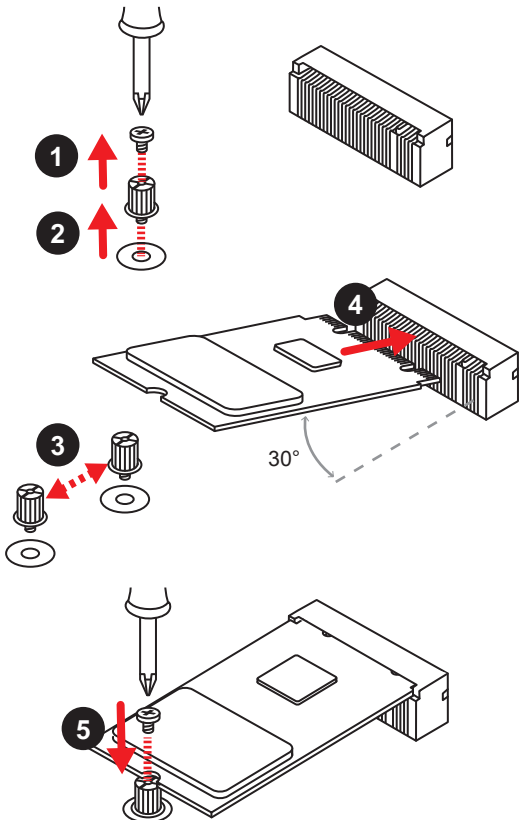
▶ Video-Demonstration

Eine anschauliche Darstellung zur Installation eines M.2 Moduls finden Sie im Video.

<http://youtu.be/JCTFAByrYA>

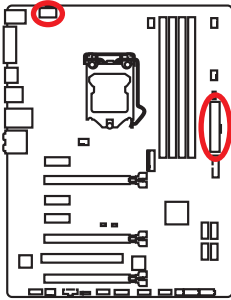
Installation eines M.2 Moduls

1. Entfernen Sie die Scharube aus dem Schraubsockel.
2. Entfernen Sie den Schraubsockel.
3. Befestigen Sie den Schraubsockel in das Loch, welches zur Länge des M.2 Moduls passt.
4. Stecken Sie das M2-Modul in den M2-Steckplatz in einem 30-Grad-Winkel.
5. Setzen Sie die Schraube in der Aussparung an der Hinterkante des M2-Modul und schrauben Sie sie in den Schraubsockel.



JPWR1~2: Stromanschlüsse

Mit diesen Anschlüssen verbinden Sie die ATX Stromstecker.



1	Ground	5	+12V
2	Ground	6	+12V
3	Ground	7	+12V
4	Ground	8	+12V

1	+3.3V	13	+3.3V
2	+3.3V	14	-12V
3	Ground	15	Ground
4	+5V	16	PS-ON#
5	Ground	17	Ground
6	+5V	18	Ground
7	Ground	19	Ground
8	PWR OK	20	Res
9	5VSB	21	+5V
10	+12V	22	+5V
11	+12V	23	+5V
12	+3.3V	24	Ground

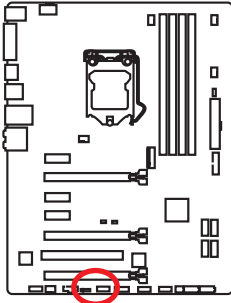


Wichtig

Stellen Sie sicher, dass alle Anschlüsse mit den richtigen Anschlüssen des Netzteils verbunden sind, um einen stabilen Betrieb der Hauptplatine sicherzustellen.

JFP1, JFP2: Frontpanel-Anschlüsse

Diese Anschlüsse verbinden mit den Schaltern und LEDs auf des Frontpanels.

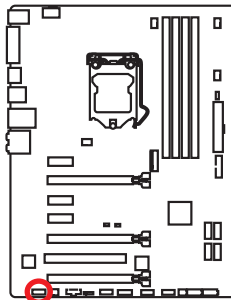


1	HDD LED +	2	Power LED +
3	HDD LED -	4	Power LED -
5	Reset Switch	6	Power Switch
7	Reset Switch	8	Power Switch
9	Reserved	10	No Pin

1	Speaker -	2	Buzzer +
3	Buzzer -	4	Speaker +

JAUD1: Audioanschluss des Frontpanels

Dieser Anschluss ermöglicht den Anschluss von Audiobuchsen eines Frontpanels.

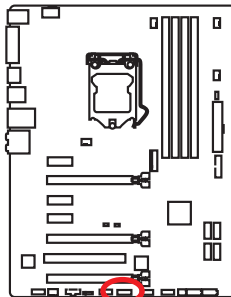


1	MIC L	2	Ground
3	MIC R	4	NC
5	Head Phone R	6	MIC Detection
7	SENSE_SEND	8	No Pin
9	Head Phone L	10	Head Phone Detection

JTPM1: TPM Anschluss

Dieser Anschluss wird für das TPM Modul (Trusted Platform Module) verwendet.

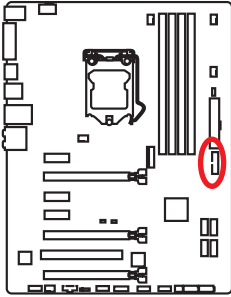
Weitere Informationen über den Einsatz des optionalen TPM Modules entnehmen Sie bitte dem TPM Plattform Handbuch.



1	LPC Clock	2	3V Standby power
3	LPC Reset	4	3.3V Power
5	LPC address & data pin0	6	Serial IRQ
7	LPC address & data pin1	8	5V Power
9	LPC address & data pin2	10	No Pin
11	LPC address & data pin3	12	Ground
13	LPC Frame	14	Ground

JUSB3: USB 3.1 Gen1 Anschluss

Mit diesem Anschluss können Sie die USB 3.1 Gen1 Anschlüsse auf dem Frontpanel verbinden.



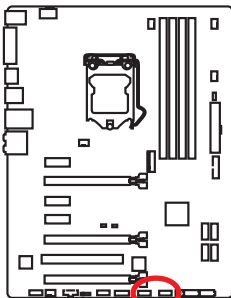
1	Power	11	USB2.0+
2	USB3_RX_DN	12	USB2.0-
3	USB3_RX_DP	13	Ground
4	Ground	14	USB3_TX_C_DP
5	USB3_TX_C_DN	15	USB3_TX_C_DN
6	USB3_TX_C_DP	16	Ground
7	Ground	17	USB3_RX_DP
8	USB2.0-	18	USB3_RX_DN
9	USB2.0+	19	Power
10	Ground	20	No Pin

! Wichtig

Bitte beachten Sie, dass Sie die mit Stromführende Leitung und Erdleitung bezeichneten Pins korrekt verbinden müssen, ansonsten kann es zu Schäden kommen.

JUSB1~2: USB 2.0 Anschlüsse

Mit diesen Anschlüssen können Sie die USB 2.0 Anschlüsse auf dem Frontpanel verbinden.



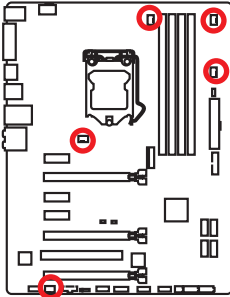
1	VCC	2	VCC
3	USB0-	4	USB1-
5	USB0+	6	USB1+
7	Ground	8	Ground
9	No Pin	10	NC

! Wichtig


- Bitte beachten Sie, dass Sie die mit VCC (Stromführende Leitung) und Ground (Erdleitung) bezeichneten Pins korrekt verbinden müssen, ansonsten kann es zu Schäden kommen.
- Um das iPad, iPhone und iPod über USB-Anschlüsse aufzuladen, installieren Sie bitte die MSI® SUPER CHARGER Software.

CPUFAN1~2, SYSFAN1~3: Stromanschlüsse für Lüfter



Diese Anschlüsse können im PWM (Pulse Width Modulation) Modus oder Spannungsmodus betrieben werden. Im PWM-Modus bieten die Lüfteranschlüsse konstante 12V Ausgang und regeln die Lüftergeschwindigkeit per Drehzahlsteuersignal. Im Spannungsmodus bestimmen die Lüfteranschlüsse die Lüftergeschwindigkeit durch Ändern der Spannung. Wenn Sie ein 3-Pin (Non-PWM) Lüfter an einen PWM-Modus Lüfteranschluss anschließen, läuft der Lüfter mit höchster Drehzahl und kann unangenehm laut werden.



Lüfteranschluss des PWM-Modus

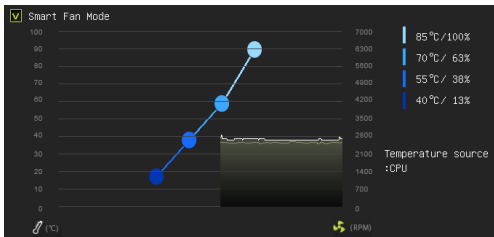
 1 CPUFAN1/ CPUFAN2			
1	Ground	2	+12V
3	Sense	4	Speed Control Signal

Lüfteranschluss des Spannung-Modus

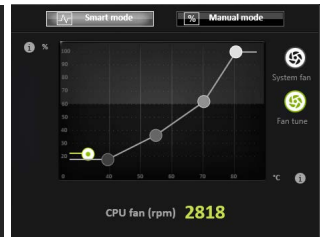
 1 SYSFAN3		 1 SYSFAN1/ SYSFAN2	
1	Ground	2	Voltage Control
3	Sense	4	NC

Lüfterdrehzahl steuern

Es gibt zwei Möglichkeiten zur Steuerung der Lüfterdrehzahl. Sie können unter **BIOS > HARDWARE MONITOR** die Drehzahl ändern oder die **COMMAND CENTER** Anwendung verwenden.



BIOS > HARDWARE MONITOR

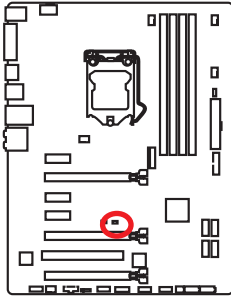


COMMAND CENTER

Beide Verfahren benutzen einen Graphen, mit dem man die Lüfterdrehzahl im Bezug auf die CPU-Temperatur anpassen kann.

JCI1: Gehäusekontaktanschluss

Dieser Anschluss wird mit einem Kontaktschalter verbunden.



Normal
(Standardwert)



Trigger
Gehäusekontakt
Event

Gehäusekontakt-Detektor verwenden

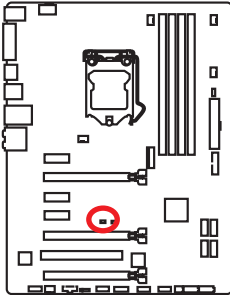
1. Schließen Sie den **JCI1**-Anschluss am Gehäusekontakt-Schalter/ Sensor am Gehäuse an.
2. Schließen Sie die Gehäuseabdeckung.
3. Gehen Sie zu **BIOS > Settings > Security > Chassis Intrusion Configuration**.
4. Stellen Sie **Chassis Intrusion** auf **Aktiviert (Enabled)**.
5. Drücken Sie **F10** zum Speichern und Beenden und drücken Sie dann die **Enter**-Taste, um **Ja** auszuwählen.
6. Bei eingeschaltetem Computer wird eine Warnmeldung auf dem Bildschirm angezeigt, wenn die Gehäuseabdeckung wieder geöffnet wird.

Gehäusekontakt-Warnung zurücksetzen

1. Gehen Sie zu **BIOS > Settings > Security > Chassis Intrusion Configuration**.
2. Stellen Sie **Chassis Intrusion** auf **Reset**.
3. Drücken Sie **F10** zum Speichern und Beenden und drücken Sie dann die **Enter**-Taste, um **Ja** auszuwählen.

JBAT1: Steckbrücke zur CMOS-Löschung (Reset des BIOS)

Der Onboard CMOS Speicher (RAM) wird durch eine externe Spannungsversorgung durch eine Batterie auf dem Motherboard versorgt, um die Daten der Systemkonfiguration zu speichern. Wenn Sie die Systemkonfiguration löschen wollen, müssen Sie die Steckbrücke für kurze Zeit umsetzen.



Daten
beibehalten
(Standardwert)



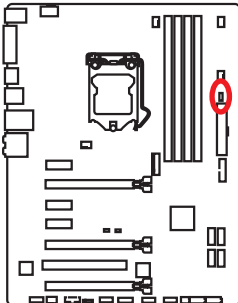
CMOS-Daten
löschen/ Reset
des BIOS

Rücksetzen des BIOS auf Standardwerte

1. Schalten Sie den Computer ab und ziehen Sie das Netzkabel ab.
2. Schließen Sie JBAT1 mit dem Deckel zur CMOS-Löschung für ca. 5-10 Sekunden.
3. Entfernen Sie den Deckel von JBAT1.
4. Stecken Sie das Kabel Ihres Computers in die Steckdose hinein und schalten Sie den Computer ein.

EZ Debug LED: Debug LED-Anzeigen

Diese LEDs zeigen den Status des Motherboards.



- CPU** - CPU wird nicht erkannt oder ist fehlerhaft.
- DRAM** - DRAM wird nicht erkannt oder ist fehlerhaft.
- VGA** - GPU wird nicht erkannt oder ist fehlerhaft.

BIOS-Setup

Die Standardeinstellungen bieten die optimale Leistung für die Systemstabilität unter Normalbedingungen. Sie sollten **immer die Standardeinstellungen behalten**, um mögliche Schäden des Systems oder Boot-Fehler zu vermeiden, außer Sie besitzen ausreichende BIOS Kenntnisse.

Wichtig

- BIOS Funktionen werden kontinuierlich aktualisiert für eine bessere Systemleistung. Deswegen können die Beschreibungen leicht von der letzten Fassung des BIOS abweichen und sollten demnach nur als Anhaltspunkte dienen. Für eine Beschreibung der BIOS Funktionen rufen Sie die HELP Informationstafel aus.
- Die Bilder in diesem Kapitel sind nur als Referenz und können von dem von Ihnen erworbenen Produkt abweichen.

Öffnen des BIOS Setups

Befolgen Sie bitte die nachfolgende Schritten, um das BIOS Setup aufzurufen.

- Während des BOOT-Vorgangs drücken Sie die Taste **Delete**, wenn die Meldung **Press DEL key to enter Setup Menu, F11 to enter Boot Menu** erscheint.
- Verwenden Sie die **MSI FAST BOOT** Anwendung. Klicken Sie die **GO2BIOS**-Taste und drücken **OK**. Das System startet neu und geht direkt ins BIOS.



Klicken Sie auf **GO2BIOS**

- Aktivieren Sie die **GO2BIOS** Funktion (**SETTING > Boot > GO2BIOS**) im **Erweiterten Modus** des BIOS-Setups (F7). Rufen Sie das BIOS-Setup-Dienstprogramm durch ein 4 Sekunden langes Drücken der Power-Taste auf.

Funktionstasten

Taste	Funktion	Taste	Funktion
F1	Allgemeine Hilfe	F3	Öffnen das Favoriten-Menü
F4	Öffnen das CPU-Spezifikationen-Menü	F5	Öffnen das Memory-Z-Menü
F6	Laden der ursprünglichen Setup-Standardwerte	F8	OC-Profil wird vom USB-Stick geladen
F9	OC-Profil wird auf einem USB-Stick gespeichert	F10	Speichern oder Zurücksetzen der Änderungen*

* Beim Drücken der F10 Taste wird das Fenster zum Speichern der Einstellungen angezeigt. Wählen Sie **YES**, um die Wahl zu bestätigen, oder **NO**, um die derzeitige Einstellung beizubehalten.

Reset des BIOS

Sie können die Werkseinstellung wieder herstellen, um bestimmte Probleme zu lösen. Es gibt verschiedene Möglichkeiten, um das BIOS zurückzusetzen:

- Öffnen Sie das BIOS und drücken Sie **F6**, um optimierten Voreinstellungen zu laden.
- Schließen Sie die **Clear CMOS** Steckbrücke auf dem Motherboard.
- Drücken Sie die Taste **Clear CMOS** auf der Rückseite E/ A des Panels. (Nur für Motherboard mit einer Clear CMOS Taste.)

Aktualisierung des BIOS

Aktualisierung des BIOS mit dem M-FLASH-Programm

Vorbereitung:

Laden Sie bitte die neueste BIOS Version, die dem Motherboard-Modell entspricht, von der offiziellen MSI Website herunter und speichern Sie die BIOS-Datei auf USB-Flash-Laufwerk.

BIOS-Aktualisierungsschritte:


1. Drücken Sie während des POST-Vorgangs die Taste (Entf), um das BIOS zu öffnen.
2. Schließen das USB-Flashlaufwerk mit der BIOS-Datei an den Computer.
3. Wählen Sie die Registerkarte **M-FLASH** und klicken Sie auf **Yes (Ja)**, um das System neu zu starten. Rufen Sie den Flash-Modus auf.
4. Wählen Sie die BIOS-Datei zur Durchführung des BIOS-Aktualisierungsprozesses aus.
5. Nachdem das Flashen des BIOS vollständig ist, startet das System automatisch neu.

Aktualisierung des BIOS mit Live Update 6

Vorbereitung:

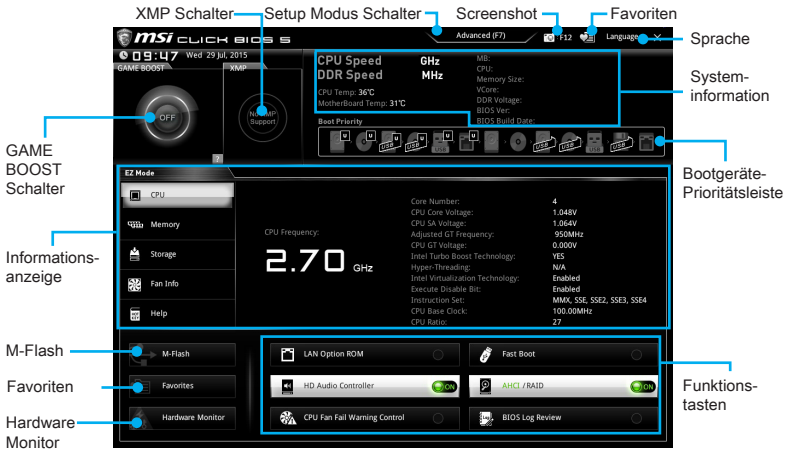
Stellen Sie sicher, dass zuvor die LAN-Treiber installiert wurden und eine Internetverbindung eingerichtet ist.

BIOS-Aktualisierungsschritte:

1. Installieren und starten Sie "MSI LIVE UPDATE 6".
2. Wählen Sie **Manual scan** aus.
3. Machen Sie ein Häkchen bei **MB BIOS** und klicken sie auf die **SCAN** Taste.
4. Wählen Sie **MB BIOS** aus und klicken auf dieses Icon , um die neueste BIOS-Datei zu laden und zu installieren.
5. Klicken Sie auf **Next (Weiter)** und wählen Sie **In Windows Mode** aus. Und klicken dann auf **Next (Weiter)** und **Start (Starten)**, um das BIOS-Update zu starten.
6. Nachdem das Flashen des BIOS vollständig ist, startet das System automatisch neu.

EZ Modus

Im EZ-Modus können Sie die Grundinformationen des Systems einsehen und grundlegende Einstellungen konfigurieren. Um die erweiterten BIOS-Einstellungen anzeigen zu lassen, aktivieren Sie bitte den Erweiterten Modus durch Drücken des **Setup Mode Schalter** oder der Funktionstaste **F7**.



- **Funktions-tasten** - Aktivieren oder Deaktivieren Sie **LAN Option ROM**, **Fast Boot**, **HD Audio Controller**, **AHCI, RAID**, **CPU Fan Fail Warning Control** und **BIOS Log Review** durch Anklicken der zugehörigen Schaltfläche.
- **Hardware Monitor** - Ein Klick auf diese Schaltfläche öffnet das Menü des **Hardware Monitor** mit dem Sie die Lüfterdrehzahl in Prozent manuell steuern.
- **M-Flash** - Ein Klick auf diese Schaltfläche öffnet **M-Flash** mit dem Sie das BIOS mit einem USB-Flash-Laufwerk aktualisieren.
- **Informations-anzeige** - Klicken Sie auf die Schaltfläche **CPU**, **Memory**, **Storage**, **Fan Info** und **Help** auf der linken Seite, um die jeweiligen Informationen anzuzeigen.
- **Boot-Geräte Prioritätsleiste** - Sie können die Gerätesymbole verschieben, um die Startreihenfolge zu ändern. Die Bootreihenfolge sind mit "hoch"(links) bis "niedrig" (rechts) bezeichnet.
- **Systeminformationen** - Diese zeigt CPU-Name, CPU/ DDR-Frequenz, CPU/ MB-Temperatur, MB/ CPU-Typ, Speicherkapazität, CPU/ DDR-Spannung, BIOS-Version und Erstellungs-Datum.
- **Sprache** - Hier können Sie die Sprache der BIOS-Einstellungen auswählen.
- **Screenshot** - Mit dieser Registerkarte oder der **F12**-Taste, um einen Screenshot zu machen und auf einen FAT/FAT32-USB-Laufwerk zu speichern.
- **Setup-Modus-Schalter** - Mit dieser Registerkarte oder der **F7**-Taste können Sie zwischen dem Erweiterten-Modus und EZ-Modus wechseln.
- **XMP Schalter** - Klicken Sie auf den inneren Kreis, X.M.P.(Extreme Memory Profile) zu aktivieren/deaktivieren. Drehen Sie den äußeren Kreis, um ein X.M.P. Profil zu wählen. Dieser Schalter steht nur zur Verfügung, wenn die installierten Speichermodule die X.M.P. Technik unterstützen.

- **GAME BOOST Schalter** - Klicken Sie auf die Taste, um GAME BOOST für OC zu wechseln.



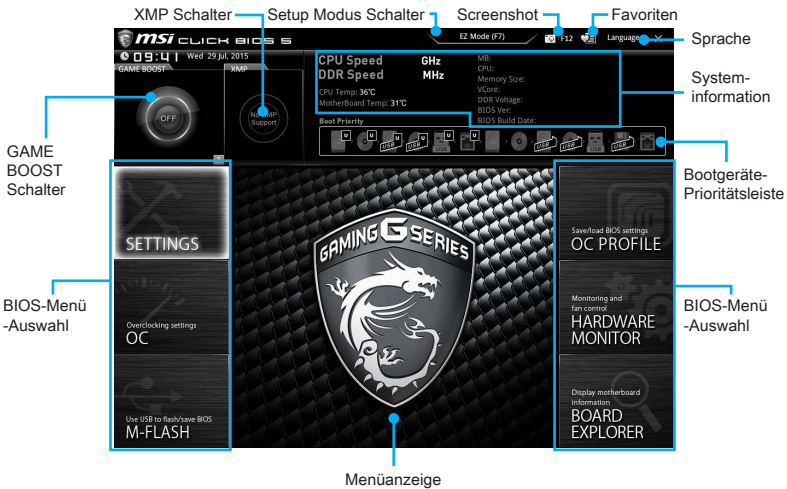
Wichtig

Bitte ändern Sie keine Werte im OC Menü und laden Sie keine Standardwerte während GAME BOOST aktiviert ist, um die optimale Leistung und Stabilität des Systems zu gewährleisten.

- **Favoriten** - Drücken Sie eine beliebige **Favoriten**-Registerkarte oder die **F3**-Taste, um das **Favoriten**-Menü aufzurufen. Hier können Sie Ihre persönliches BIOS-Menü erstellen, in dem Sie die häufig verwendeten oder favorisierten BIOS-Einstellungsoptionen auswählen können.
 - ▶ **Default HomePage** - Über diese Option können Sie ein BIOS-Menü (zum Beispiel: Einstellungen, Übertaktung, usw.) als BIOS Homepage auswählen.
 - ▶ **Favorite1~5** - Hier können Sie die häufig erwendeten oder favorisierten BIOS-Einstellungsoptionen auf einer Seite hinzufügen.
 - ▶ **Um ein BIOS-Punkte zu einer Lieblingsseite hinzufügen (Lieblingseinstellung 1~5)**
 1. Wählen Sie den BIOS-Punkt in den Einstellungen-, OC- oder OC Profil-Menü.
 2. Klicken Sie mit der rechten Maustaste oder drücken Sie die Taste **F2**.
 3. Wählen Sie die gewünschte Seite aus und klicken Sie auf **OK**.
 - ▶ **Um ein BIOS-Punkte von Lieblingsseite zu löschen**
 1. Wählen Sie den BIOS-Punkt in Lieblingsseite (Lieblingseinstellung 1~5)
 2. Klicken Sie mit der rechten Maustaste oder drücken Sie die Taste **F2**.
 3. Wählen Sie **Delete** aus und klicken Sie auf **OK**.

Erweiterten Modus

Drücken Sie den **Setup Mode Schalter** oder die Funktionstaste **F7**, um zwischen den EZ-Modus und Erweiterten-Modus im BIOS-Setup zu wechseln.



- **GAME BOOST Schalter / XMP Schalter/ Setup Modus Schalter/ Screenshot/ Favoriten/ Sprache/ Systeminformation/ Boot-Geräte Prioritätsleiste** - Die Beschreibungen zu diesen Funktionen finden Sie auf Seite 26 unter EZ-Modus.
- **BIOS-Menü-Auswahl** - Die folgenden Optionen stehen zur Verfügung:
 - ▶ **SETTINGS** - Mit diesem Menü können Sie die Parameter für Chipsatz, Boot-Geräte angeben.
 - ▶ **OC** - Hier können Sie die Frequenz und Spannung anpassen. Die Erhöhung der Frequenz kann eine bessere Leistung erreichen.
 - ▶ **M-FLASH** - M-Flash erlaubt es, das BIOS mit einem USB-Flash-Laufwerk zu aktualisieren.
 - ▶ **OC PROFILE** - In diesem Menü werden die verschiedenen Overclocking-Profile gespeichert.
 - ▶ **HARDWARE MONITOR** - Hier können Sie die Geschwindigkeiten der Lüfter setzen und die Spannungen des Systems überwachen.
 - ▶ **BOARD EXPLORER** - Zeigt Ihnen Informationen über Geräte an, die an das Mainboard angeschlossen sind.
- **Menüanzeige** - Dieser Bereich ermöglicht die Konfiguration von BIOS Einstellungen.

OC-Menü

In diesem Menü können Benutzer das BIOS anpassen und das Mainboard übertakten. Bitte führen Sie nur Änderungen durch, wenn Sie sich über das Ergebnis im Klaren sind. Sie sollten Erfahrung beim Übertakten haben, da Sie sonst das Motherboard oder Komponenten des Systems beschädigen können.



Wichtig

- Die Übertaktung ist nur für fortgeschrittene Benutzer zu empfehlen.
- Eine erfolgreiche Übertaktung ist nicht gewährleistet. Die Anwendung von Übertaktungsmaßnahmen kann zu Verlust der Garantie oder zur Beschädigung der Hardware führen.
- Falls Sie sich mit der Übertaktung nicht auskennen, empfehlen wir für einfaches Übertakten die **GAME BOOST** Funktion.

► OC Explore Mode [Normal]

Aktivieren oder deaktivieren Sie die Funktion, um die normale oder Expertenversion des OC-Einstellungen anzuzeigen.

[Normal] Bietet normale Übertaktungseinstellungen im BIOS-Setup.

[Expert] Bietet die erweiterten Übertaktungseinstellungen für den erfahrenen Benutzer, welche die Einstellungen im BIOS-Setup konfigurieren wollen.

Hinweis: Wir verwenden * als Symbol für die Übertaktungseinstellungen des Erweiterten Modus.

► CPU Ratio Apply Mode [All Core]*

Legt den Modus für den angepassten CPU-Multiplikator fest. Diese Option erscheint nur, wenn eine CPU installiert ist, die Funktion Turbo Boost unterstützt.

[All Core/Alle Kerne] Aktiviert die Option **CPU Ratio**. Alle CPU-Kerne können mit der gleichen CPU Taktrate betrieben werden, die in **CPU Ratio** festgesetzt wurde.

[Per Core /Pro Kern] Aktiviert die Option **X-Core Ratio Limit**. Legt die CPU Taktrate für jeden Kern in **X-Core Ratio Limit** fest.

► CPU Ratio [Auto]

Legen Sie den CPU-Multiplikator fest, um die CPU-Taktfrequenzen zu bestimmen. Diese Option kann nur geändert werden, wenn der Prozessor diese Funktion unterstützt.

▶ **1/2/3/4-Core Ratio Limit [Auto]***

Hier können Sie den CPU Multiplikator für die verschiedenen aktiven Kerne einstellen. Diese Option erscheint nur, wenn eine CPU installiert ist, die diese Funktion unterstützt.

▶ **Adjusted CPU Frequency**

Zeigt die eingestellte Frequenz der CPU an. Es handelt sich um eine Anzeige – Änderungen sind nicht möglich.

▶ **CPU Ratio Mode [Dynamic Mode]***

Wählen Sie den Betriebsmodus des CPU-Multiplikators. Diese Option wird angezeigt, wenn Sie den CPU-Multiplikator manuell einstellen.

[Fixed Mode] Legt den CPU-Multiplikator fest.

[Dynamic Mode] Der CPU-Multiplikator wird dynamisch je nach CPU-Belastung verändert.

▶ **Ring Ratio [Auto]**

Setzen Sie den Ring Ratio. Der erlaubte Wertebereich ist abhängig von der installierten CPU.

▶ **Adjusted Ring Frequency**

Zeigt die angepasste Ring Frequenz. Nur Anzeige – keine Änderung möglich.

▶ **GT Ratio [Auto]**

Setzen Sie den Multiplikator der integrierten Grafik. Der erlaubte Wertebereich ist abhängig von der installierten CPU.

▶ **Adjusted GT Frequency**

Zeigt die angepasste Frequenz der integrierten Grafik. Nur Anzeige – keine Änderung möglich.

▶ **Misc Setting***

Drücken Sie die Enter, + oder - Taste, um die folgenden 3 Punkte des CPU-Funktionen zu öffnen oder zu schließen.

▶ **EIST [Enabled]***

Aktivieren oder deaktivieren Sie die Enhanced Intel® SpeedStep Technologie.

[Enabled] Aktiviert EIST, um die CPU-Spannung und Taktfrequenz dynamisch anzupassen. Diese Funktion kann den durchschnittlichen Stromverbrauch und die durchschnittliche Hitzeentwicklung verringern.

[Disabled] Deaktiviert EIST.

▶ **Intel Turbo Boost [Enabled]***

Aktivieren oder deaktivieren Sie Intel® Turbo Boost. Diese Option ist für Simple Mode und wird angezeigt, wenn die installierte CPU diese Einstellungen unterstützt.

[Enabled] Aktivieren Sie diese Funktion, um die CPU-Leistung automatisch zu erhöhen, wenn das System mehr Leistung benötigt.

[Disabled] Deaktivieren Sie diese Funktion.

► **Enhanced Turbo [Auto]**

Aktivieren oder deaktivieren Sie die Enhanced Turbo Funktion für alle CPU-Kerne.

[Auto] Diese Einstellungen werden vom BIOS automatisch konfiguriert.

[Enabled] Alle CPU-Kerne werden mit maximalem Turbo konfiguriert.

[Disabled] Deaktivieren Sie diese Funktion.

► **CPU Base Clock (MHz) [Default]**

Hier können Sie den CPU Grundtakt anpassen. Sie können die CPU übertakten, indem Sie diesen Wert verändern. Bitte beachten Sie, dass die Übertaktung (und das Ergebnis) und die Stabilität nicht gewährleistet sind. Diese Option wird angezeigt, wenn der installierte Prozessor diese Funktion unterstützt.

► **CPU Base Clock Apply Mode [Auto]***

Einstellung des angepassten CPU Grundtakts.

[Auto] Diese Einstellungen werden vom BIOS automatisch konfiguriert.

[Next Boot] Die CPU arbeitet mit angepasstem CPU Grundtakt nach einem Neustart.

[Immediate] Die CPU arbeitet mit angepasstem CPU Grundtakt sofort.

[During Boot] Die CPU arbeitet mit angepasstem CPU Grundtakt beim Booten.

► **Extreme Memory Profile (X.M.P.) [Disabled]**

Extreme Memory Profiles (XMP) sind von Intel eingeführte Zertifizierungen für DDR3-Speichermodule aus dem PC-Bereich. Diese Option steht zur Verfügung, wenn die installierten Speichermodule die XMP Technik unterstützen.

[Disabled] Deaktiviert diese Funktion.

[Profile 1] Wählen Sie Profil 1 des XMP-Speichermoduls.

[Profile 2] Wählen Sie Profil 2 des XMP-Speichermoduls.

► **DRAM Frequency [Auto]**

Setzen Sie die DRAM Frequenz. Bitte beachten Sie, dass ein zuverlässiges Übertaktungsverhalten nicht garantiert werden kann.

► **Adjusted DRAM Frequency**

Zeigt die Speicherfrequenz an. Nur Anzeige – keine Änderung möglich.

► **Memory Try It ! [Disabled]**

Die Option "Memory Try It!" dient der Verbesserung der Speicherkompatibilität oder auch der Speicherleistung durch die Auswahl der optimierten Speicher-Voreinstellungen.

► **DRAM Timing Mode [Link]**

Wählt den Speicher-Timing-Modus aus.

[Link] Ermöglicht die manuelle Konfigurieren des DRAM-Timing für alle Speicherkanäle.

[UnLink] Ermöglicht die manuelle Konfigurieren des DRAM-Timing für die einzelnen Speicherkanäle.

► **Advanced DRAM Configuration**

Drücken Sie die Eingabetaste <Enter>, um das Untermenü aufzurufen. Dieses Untermenü wird nach der Einstellung [Link] oder [Unlink] in "DRAM Timing Mode" aktiviert werden. Der Anwender kann die Speicher-Timing für jeden Kanal des Speichers einstellen. Das System könnte nach dem Ändern der Speicher-Timings instabil werden oder nicht mehr booten. Wenn Instabilität auftritt, löschen Sie bitte die CMOS-Daten und stellen Sie die Standardeinstellungen wieder her. (Lesen Sie bitte den Abschnitt "Clear CMOS Jumper/ Taste", um die CMOS-Daten zu löschen, und die Standardeinstellungen auf das BIOS zu laden.)

► **Memory Fast Boot [Auto] ***

Aktivieren oder deaktivieren Sie die die Initiierung und Prüfung des Speichers für jeden Boot.

- | | |
|------------|---|
| [Auto] | Diese Einstellungen werden vom BIOS automatisch konfiguriert. |
| [Enabled] | Der Vorgang der Initiierung und Prüfung des Hauptspeichers wird aus dem Archiv der ersten Initiierung imitiert um den Systemstart zu beschleunigen. |
| [Disabled] | Der Speicher wird bei jedem Boot-Vorgang vollständig neu initiiert und geprüft. |

► **CPU Core/ GT Voltage Mode [Auto]***

Wählen Sie die Betriebsmodi für diese CPU Core/ Ring-Spannungen aus.

- | | |
|----------------------|---|
| [Auto] | Diese Einstellungen werden vom BIOS automatisch konfiguriert. |
| [Adaptive Mode] | Legt die adaptiven Spannungen zur Optimierung der System-Performance automatisch an. |
| [Override Mode] | Hier können Sie die Spannungen manuell einstellen. |
| [Offset Mode] | Hier können Sie die Offset-Spannung einstellen und den Modus der Offset-Spannung auswählen. |
| [Adaptive + Offset] | Legt die adaptiven Spannungen automatisch an und passt die Offset-Spannung an. |
| [Override + Offset] | Hier können Sie die Spannung und die Offset-Spannung manuell einstellen. |

► **CPU Voltages control [Auto]**

Erlaubt das Einstellen der CPU-Spannungen. Wenn die Einstellung auf **Auto** gesetzt ist, wird das BIOS die Spannungen automatisch einstellen oder Sie können es manuell einstellen.

► **DRAM Voltages control [Auto]**

Erlaubt das Einstellen der DRAM-Spannungen. Wenn die Einstellung auf **Auto** gesetzt ist, wird das BIOS die Spannungen automatisch einstellen oder Sie können es manuell einstellen.

► **CPU Memory Changed Detect [Enabled]***

Aktiviert/Deaktiviert die Systemwarnmeldung beim Booten, wenn die CPU oder der Hauptspeicher ersetzt wurde.

- | | |
|------------|--|
| [Enabled] | Das System zeigt eine Warnmeldung beim Systemstart und lädt die Default-Einstellungen für neue Geräte. |
| [Disabled] | Deaktivierung der Funktion und Beibehaltung der aktuellen BIOS-Einstellungen. |

▶ **OC Quick View Timer [3 Sec]***

Stellt die Zeit ein, um die Variationen der CPU-Grundtakt, CPU Ratio, Ring Ratio und DRAM Ratio zu zeigen. Steht der Schalter auf Deaktiviert, wird das BIOS die Änderungen des CPU Grundtakt, CPU Ratio, Ring Ratio und DRAM Ratio zeigen.

▶ **CPU Specifications**

Drücken Sie die Eingabetaste <Enter>, um das Untermenü aufzurufen. Das Untermenü zeigt die Informationen der installierten CPU an. Zu diesen Informationen gelangen Sie, indem Sie die Taste [F4] drücken. Nur Anzeige.

▶ **CPU Technology Support**

Drücken Sie die Eingabetaste <Enter>, um das Untermenü aufzurufen. Das Untermenü zeigt die wichtigsten Eigenschaften der installierten CPU an.

▶ **MEMORY-Z**

Drücken Sie die Eingabetaste <Enter>, um das Untermenü aufzurufen. Dieses Untermenü zeigt alle Einstellungen und Timings des installierten Speichers. Zu diesen Informationen gelangen Sie auch, indem Sie die Taste [F5] drücken.

▶ **DIMM1~4 Memory SPD**

Drücken Sie die Eingabetaste <Enter>, um das Untermenü aufzurufen. Das Untermenü zeigt die Informationen des verwendeten Speichers an. Nur Anzeige.

▶ **CPU Features**

Drücken Sie die Eingabetaste <Enter>, um das Untermenü aufzurufen.

▶ **Hyper-Threading [Enabled]**

Die Intel Hyper-Threading Technologie behandelt die Prozessorkerne innerhalb des Prozessors als multi-logische Prozessoren, die Anweisungen simultan durchführen können. Dadurch tritt eine wesentliche Verbesserung der Systemleistung ein. Diese Option wird angezeigt, wenn die installierte CPU diese Einstellungen unterstützt.

[Enable] Aktiviert die Intel Hyper-Threading Technologie.

[Disabled] Deaktiviert die Option, wenn das System die HT-Funktion nicht unterstützt.

▶ **Active Processor Cores [All]**

Hier können Sie die Zahl der aktiven Prozessorkerne auswählen.

▶ **Limit CPUID Maximum [Disabled]**

Aktiviert oder deaktiviert den erweiterten CPUID-Wert.

[Enabled] Das BIOS begrenzt den maximalen CPUID Eingabewert, um Bootprobleme mit älteren Betriebssystem zu umgehen, die den Prozessor mit erweiterten CPUID-Wert nicht unterstützen.

[Disabled] Verwenden Sie den maximalen CPUID Eingabewert.

► **Execute Disable Bit [Enabled]**

Intel's Execute Disable Bit kann an den Rechner gerichtete **Buffer Overflow** Angriffe verhindern, bei denen Computer-Würmer versuchen, das System durch Ausführung von Codes zu schädigen. Es wird empfohlen, diese Funktion zu aktivieren.

[Enabled] Aktiviert den NO-Execution Schutz, um bösartigen Angriffe und Würmern abzuwehren.

[Disabled] Deaktiviert diese Funktion.

► **Intel Virtualization Tech [Enabled]**

Aktiviert oder deaktiviert die Intel Virtualization Technologie.

[Enabled] Aktiviert die Intel Virtualization-Technologie, die es mehreren Betriebssystemen ermöglicht, in voneinander unabhängigen Partitionen zu arbeiten. Das System kann als mehrere Systeme virtuell einsetzen.

[Disabled] Deaktiviert diese Funktion.

► **Intel VT-D Tech [Disabled]**

Aktiviert oder deaktiviert die Intel VT-D (Intel Virtualization for Directed I/O) Technologie.

► **Hardware Prefetcher [Enabled]**

Aktivieren oder deaktivieren Sie das Hardware Prefetcher (MLC Streamer prefetcher).

[Enabled] Der CPU Hardware Prefetcher kann frühzeitig Daten und Anweisungen aus dem Speicher in den L2-Cache laden um die Cache-Latency Zeiten zu reduzieren.

[Disabled] Deaktiviert den Hardware Prefetcher.

► **Adjacent Cache Line Prefetch [Enabled]**

Aktiviert oder deaktiviert den CPU Hardware Prefetcher (MLC Spatial prefetcher).

[Enabled] Ermöglicht Adjacent Cache Line Prefetch zur Verringerung der Cache Latenzzeit und zur Leistungssteigerung von Applikationen.

[Disabled] Aktiviert nur die angeforderten Cache-Zeilen.

► **CPU AES Instructions [Enabled]**

Aktiviert oder deaktiviert die CPU AES (Advanced Encryption Standard-New Instructions) Unterstützung. Diese Option wird angezeigt, wenn die CPU diese Funktion unterstützt.

► **Intel Adaptive Thermal Monitor [Enabled]**

Aktiviert oder deaktiviert die Intel Adaptive Thermal-Monitor-Funktion, um die CPU vor Überhitzung zu schützen.

[Enabled] Drosselt die CPU Kerntakt, wenn die CPU-Temperatur über die adaptive Temperatur steigt.

[Disabled] Deaktiviert diese Funktion.

► Intel C-State [Auto]

Aktiviert oder deaktiviert das Intel C-State. C-State ist eine durch ACPI definierte Prozessor-Power-Management-Technologie.

[Auto] Diese Einstellungen werden vom BIOS automatisch konfiguriert.

[Enabled] Ermöglicht die Erkennung, wann sich das System im Leerlauf befindet und senkt den CPU-Stromverbrauch entsprechend.

[Disabled] Deaktiviert diese Funktion.

► C1E Support [Disabled]

Aktiviert oder deaktiviert die C1E-Funktion für Stromersparnis im Leerlauf. Diese Option wird angezeigt, wenn **Intel C-State** aktiviert ist.

[Enabled] Ermöglicht die C1E Funktion, um die CPU-Frequenz und Spannung zur Stromersparnis im Leerlauf zu reduzieren.

[Disabled] Deaktiviert diese Funktion.

► Package C State limit [Auto]

Hier können Sie einen CPU C-State-Modus für Stromsparen auswählen, wenn das System im Leerlauf ist. Die Optionen des C-States ist abhängig von der installierten CPU. Diese Option wird angezeigt, wenn **Intel C-State** aktiviert ist.

► CFG Lock [Enabled]

Sperrt oder Entsperrt das MSR 0xE2[15]s, des CFG Lock-Bits.

[Enabled] Sperrt das CFG Lock-Bit.

[Disabled] Entsperrt das CFG Lock-Bit.

► EIST [Enabled]

Aktivieren oder deaktivieren Sie die Enhanced Intel® SpeedStep Technologie. Diese Option wird angezeigt, wenn **OC Explore Mode** auf **Normal** eingestellt.

[Enabled] Aktiviert EIST, um die CPU-Spannung und Taktfrequenz dynamisch anzupassen. Es kann zu verringern durchschnittliche Stromverbrauch und die durchschnittliche Wärmeproduktion.

[Disabled] Deaktiviert EIST.

► Intel Turbo Boost [Enabled]

Aktivieren oder deaktivieren Sie Intel® Turbo Boost. Diese Option ist für Normal Mode und wird angezeigt, wenn die installierte CPU diese Einstellungen unterstützt.

[Enabled] Aktivieren Sie diese Funktion, um die CPU-Leistung automatisch zu erhöhen, wenn das System mehr Leistung benötigt.

[Disabled] Deaktivieren Sie diese Funktion.

► Long Duration Power Limit (W) [Auto]

Hier stellen Sie die TDP Leistungsgrenze für die CPU in Turbo Boost Modus ein.

► Long Duration Maintained (s) [Auto]

Hier stellen Sie den Zeitraum (ms) für die TDP Leistungsgrenze (W) ein.

► Short Duration Power Limit (W) [Auto]

Hier stellen Sie die TDP Leistungsgrenze für CPU in Turbo Boost Modus ein.

▶ **CPU Current Limit (A) [Auto]**

Hier legen Sie die maximale Stromgrenze der CPU im Turbo Boost Modus fest. Wenn der Strom über den angegebenen Grenzwert steigt, verringert die CPU automatisch Core-Frequenz.

▶ **FCLK Frequency [Auto]**

Legt FCLK Frequenz fest. Stellen Sie eine niedrigere FCLK-Frequenz ein, um die Einstellung der höheren Grundtakt-Frequenz zu machen.

▶ **DMI Link Speed [Auto]**

Legt die DMI-Geschwindigkeit fest.

Softwarebeschreibung

Installation von Windows® 7/ 8.1/ 10

1. Schalten Sie den Computer ein.
2. Legen Sie die Windows® 7/ 8.1/ 10 Disk in das optische Laufwerk.
***Hinweis:** Auf Grund einer Chipsatz-Limitierung werden während des Windows® 7 Installationsprozesses keine optischen Laufwerke und USB-Laufwerke oder USB-Sticks unterstützt.*
3. Drücken Sie die Taste **Restart** auf dem Computergehäuse.
4. Für Windows 8.1/ 10, überspringen Sie diesen Schritt. Für Windows 7, gehen Sie ins BIOS-Menü: **SETTING > Advanced > Windows OS Configuration > Windows 7 Installation** und aktivieren Sie die Punkte, um die Änderungen zu speichern und starten Sie den Computer neu.
***Hinweis:** Wir empfehlen Ihnen, dass Sie Ihren USB-Tastatur/ USB-Maus an den linken USB-Anschluss bei der Installation von Windows 7 anschließen.*
5. Drücken Sie die **F11**-Taste während des POST-Vorgangs (Power-On Self Test), um das Bootmenu zu öffnen.
6. Wählen Sie das optische Laufwerk aus dem Bootmenu.
7. Wenn eine entsprechende Meldung **Press any key to boot from CD or DVD...** angezeigt wird, drücken Sie eine beliebige Taste.
8. Folgen Sie den Anweisungen auf dem Bildschirm, um das Dienstprogramm "Windows® 7/ 8.1/ 10" zu installieren.

Installation von Treibern

1. Starten Sie Ihren Computer mit Windows® 7/ 8.1/ 10.
2. Legen Sie die MSI® Treiber Disk in das optische Laufwerk.
3. Der Installer wird automatisch erscheint und findet und finden Sie die benötigten Treiber in die Liste.
4. Klicken Sie auf **Install**.
5. Die Software-Installation ist im Gange. Wenn die Installation abgeschlossen ist, werden Sie dazu aufgefordert, den Computer neu zu starten.
6. Klicken Sie auf **OK** zum Beenden.
7. Starten Sie Ihren Computer neu.

Installation von Utilities

Bevor Sie Anwendungen installieren, müssen Sie die Treiber-Installation vollständig beendet haben.

1. Legen Sie die MSI® Treiber Disk in das optische Laufwerk.
2. Der Installer wird automatisch erscheint.
3. Klicken Sie auf **Utilities**.
4. Wählen Sie die Dienstprogramme, die installiert werden soll.
5. Klicken Sie die Taste **Install**.
6. Die Utilities-Installation ist im Gange. Wenn die Installation abgeschlossen ist, werden Sie dazu aufgefordert, den Computer neu zu starten.
7. Klicken Sie auf **OK** zum Beenden.
8. Starten Sie Ihren Computer neu.

Table des matières

Informations de sécurité	2
Spécifications	3
Panneau arrière Entrée/ Sortie	8
Tableau explicatif de l'état de la LED du port LAN	8
Configuration des ports audio.....	8
Vue d'ensemble des composants	10
Socket processeur.....	11
Slots DIMM	12
PCI_E1~6, PCI1 : Slots d'extention PCIe/ PCI.....	13
SATA1~6 : Connecteurs SATA 6Gb/s	15
SE1_21 : Connecteurs SATA Express	15
M2_1 : Slots M.2.....	16
JPWR1~2 : Connecteurs d'alimentation.....	17
JFP1, JFP2 : Connecteurs panneau avant.....	18
JAUD1 : Connecteur audio avant	18
JTPM1 : Connecteur de module TPM	18
JUSB3 : Connecteurs USB 3.1 Gen1.....	19
JUSB1~2 : Connecteurs USB 2.0.....	19
CPUFAN1~2, SYSFAN1~3 : Connecteurs pour ventilateurs	20
JCI1 : Connecteur intrusion châssis	21
JBAT1 : Cavalier clear CMOS (Réinitialisation BIOS).....	22
EZ Debug LED : Indicateurs LED Debug	22
Configuration du BIOS	23
Entrer dans l'interface Setup du BIOS.....	23
Réinitialiser le BIOS.....	24
Mettre le BIOS à jour	24
EZ Mode (mode simplifié).....	25
Advanced mode (mode avancé)	27
OC Menu (menu overclocking).....	28
Informations sur les logiciels	36
Installer Windows® 7/ 8.1/ 10.....	36
Installer les pilotes	36
Installer les utilitaires	36

Informations de sécurité

- Les composants dans l'emballage peuvent être endommagés par des décharges électrostatiques (ESD). Pour vous assurer de correctement monter votre ordinateur, veuillez vous référer aux instructions ci-dessous.
- Assurez-vous de bien connecter tous les composants. En cas de mauvaise connexion, il se peut que l'ordinateur ne reconnaisse pas le composant et que le démarrage échoue.
- Veuillez tenir la carte mère par les bords pour éviter de toucher les composants sensibles.
- Il est recommandé de porter bracelet antistatique lors de la manipulation de la carte mère pour prévenir le dommage. Si vous n'avez pas de bracelet antistatique, touchez un objet métallique relié à la terre avant de manipuler la carte mère afin de vous décharger de votre charge statique. Touchez régulièrement l'objet métallique pendant toute la manipulation.
- Tant que la carte mère n'est pas installée, conservez-la dans un récipient protégé contre les ondes électrostatiques ou sur une couche antistatique.
- Avant de démarrer l'ordinateur, vérifiez si toutes les vis et les composants métalliques sont bien fixés sur la carte mère ou ailleurs dans le boîtier de l'ordinateur.
- Ne démarrez pas l'ordinateur avant d'avoir terminé l'installation. Ceci peut endommager les composants ou vous blesser.
- Si vous avez besoin d'aide pendant l'installation, veuillez consulter un technicien informatique certifié.
- Avant d'installer les composants d'ordinateur, veuillez toujours mettre hors tension et débrancher le cordon d'alimentation.
- Gardez ce manuel pour références futures.
- Protégez ce manuel contre l'humidité.
- Avant de brancher le bloc d'alimentation sur la sortie électrique, veuillez vous assurer que la tension de la sortie électrique est bien égale à celle du bloc d'alimentation.
- Placez le cordon d'alimentation de façon à éviter que l'on marche dessus. Ne posez rien sur le cordon d'alimentation.
- Veuillez prêter attention à toutes les alertes et remarques indiquées sur la carte mère.
- Dans un cas comme ci-dessous, faites appel au service autorisé pour vérifier votre carte mère :
 - ▶ Un liquide a pénétré dans l'ordinateur.
 - ▶ La carte mère a été exposée à de l'humidité.
 - ▶ La carte mère ne fonctionne pas comme indiqué dans les instructions.
 - ▶ La carte mère est tombée par terre et a été endommagée.
 - ▶ La carte mère est cassée.
- Ne pas mettre la carte mère dans un environnement dont la température est supérieure à 60°C (140°F) sous peine de l'endommager.

Spécifications

CPU	Support des processeurs Intel® Core™ i3/i5/i7, Intel® Pentium® et Celeron® de 6ème génération pour socket LGA1151
Chipset	Chipset Intel® Z170
Mémoire	<ul style="list-style-type: none"> • 4 x slots pour mémoire DDR4, support jusqu'à 64 Go <ul style="list-style-type: none"> ▶ Support DDR4 3600(OC)/ 3200(OC)/ 3000(OC)/ 2800(OC)/ 2600(OC)/ 2400/ 2133 MHz • Architecture mémoire double canal • Support ECC, mémoire un-buffered • Support Intel® Extreme Memory Profile (XMP)
Slots d'extension	<ul style="list-style-type: none"> • 3 x slots PCIe 3.0 x16 (support des modes x16/x0/x4 ou x8/x8/x4) • 3 x slots PCIe 3.0 x1 • 1 x slot PCI
Sorties vidéo intégrées	<ul style="list-style-type: none"> • 1 x port HDMI™, supportant une résolution maximum de 4096x2160@24Hz, 2560x1600@60Hz • 1 x port DVI-D, supportant une résolution maximum de 1920x1200@60Hz
Multi-GPU	<ul style="list-style-type: none"> • Support de la technologie 3-Way AMD® CrossFire™ • Support de la technologie 2-Way NVIDIA® SLI™
Stockage	<p>Chipset Intel® Z170</p> <ul style="list-style-type: none"> • 6 x ports SATA 6Gb/s* (2 ports réservés pour port SATA Express) • 1 x slot M.2* <ul style="list-style-type: none"> ▶ Support d'un SSD M.2 d'une longueur de 4,2 cm/6 cm/8 cm en PCIe 3.0 x4, norme SATA 6 Gb/s standard ▶ Support SSD mini-SAS en PCIe x4, interface NVMe, par l'intermédiaire d'une carte hôte Turbo U.2** • 1x port SATAe (PCIe 3.0 x2)*** • Support Intel® Smart Response Technology pour processeurs Intel Core™ <p>* Les ports SATA5 et SATA6 sont indisponible pendant l'installation du module M.2 dans le slot M.2.</p> <p>** La carte hôte Turbo U.2 n'est pas compris, veuillez en acheter séparément.</p> <p>*** Le port SATAe est rétrocompatible avec la norme SATA. Les ports SATA et SATAe supportent au maximum 6x SATAs ou 1x SATAe + 4x SATAs.</p>

A continuer sur la page suivante

Continué de la page précédente

RAID	<p>Chipset Intel® Z170</p> <ul style="list-style-type: none">• Support RAID 0, RAID 1, RAID 5 et RAID 10 pour les périphériques de stockage SATA
USB	<ul style="list-style-type: none">• Chipset ASMedia® ASM1142 (Z170A KRAIT GAMING)<ul style="list-style-type: none">▶ 2 x USB 3.1 Gen2 (SuperSpeed USB 10Gbps) sur le panneau arrière• Chipset Intel® Z170 Express<ul style="list-style-type: none">▶ 6 x ports USB 3.1 Gen1 (SuperSpeed USB) (4 ports sur le panneau arrière, 2 ports disponibles par l'intermédiaire du connecteur USB 3.1 Gen1 interne)▶ 6 x ports USB 2.0 (High-speed USB) (2 ports on the back panel, 4 ports available through the internal USB 2.0 connectors) (Z170A KRAIT GAMING)▶ 8 x USB 2.0 (High-speed USB) ports (4 ports sur le panneau arrière, 4 ports disponibles par l'intermédiaire du connecteur USB 2.0 interne) (Z170 KRAIT GAMING)
Audio	<ul style="list-style-type: none">• Realtek® ALC1150 Codec• Audio haute définition 7.1• Support sortie S/PDIF
LAN	1 x contrôleur Intel® I219-V Gigabit LAN
Connecteurs sur le panneau arrière	<ul style="list-style-type: none">• 1 x port clavier/souris PS/2• 2 x ports USB 2.0 (Z170A KRAIT GAMING)• 4 x ports USB 2.0 (Z170 KRAIT GAMING)• 1 x port DVI-D• 2 x ports USB 3.1 Gen2 (Z170A KRAIT GAMING)• 4 x ports USB 3.1 Gen1• 1 x port HDMI™• 1 x port LAN (RJ45)• 1 x connecteur de sortie S/PDIF optique• 5 x jacks audio OFC

A continuer sur la page suivante

Continué de la page précédente

Connecteurs internes	<ul style="list-style-type: none">• 1 x connecteur d'alimentation principal ATX 24 broches• 1 x connecteur d'alimentation ATX 12V 8 broches• 6 x connecteurs SATA 6 Gb/s• 1 x connecteur SATAe• 2 x connecteurs USB 2.0 (support 4 autres ports USB 2.0)• 1 x connecteur USB 3.1 Gen1 (support 2 autres ports USB 3.1 Gen1)• 2 x connecteurs de ventilateurs CPU 4 broches• 3 x connecteurs de ventilateurs système 4 broches• 1 x connecteur audio avant• 2 x connecteurs de panneau avant• 1 x connecteur de module TPM• 1 x connecteur intrusion châssis• 1 x cavalier clear CMOS
Contrôleur E/S	Contrôleur NUVOTON NCT6793
Moniteur système	<ul style="list-style-type: none">• Détection de la température du CPU et du système• Détection de la vitesse du ventilateur du CPU et du système• Contrôle de la vitesse du ventilateur du CPU et du système
Dimensions	<ul style="list-style-type: none">• Format ATX• 30,5 cm x 23,4 cm (12" x 9,25")
Fonctions BIOS	<ul style="list-style-type: none">• 1x 128 Mb flash• UEFI AMI BIOS• ACPI 5.0, PnP 1.0a, SM BIOS 2.8• Multilingue

A continuer sur la page suivante

Continué de la page précédente

Logiciel	<ul style="list-style-type: none">• Pilotes• COMMAND CENTER• LIVE UPDATE 6• FAST BOOT• SUPER CHARGER• GAMING APP• M-CLOUD• RAMDISK• GAMING LAN MANAGER• Open Broadcaster Software• Intel® Extreme Tuning Utility• Norton™ Security• Google Chrome™ ,Google Toolbar, Google Drive• SteelSeries Engine 3• CPU-Z
Fonctions GAMING	<ul style="list-style-type: none">• AUDIO BOOST 3<ul style="list-style-type: none">▶ Circuit audio isolé▶ Protection contre les ondes électromagnétiques▶ Deux amplificateurs pour casque▶ Condensateurs audio de haute qualité▶ Connecteurs audio plaqués or• GAME BOOST<ul style="list-style-type: none">▶ Overclocking simplifié• GAMING LAN<ul style="list-style-type: none">▶ Intel I219-V Gigabit Ethernet▶ MSI Network Manager▶ Electric Wave Surge• GAMING APP<ul style="list-style-type: none">▶ Trois modes d'utilisation : OC/Gaming/Silent▶ Raccourcis Gaming▶ Contrôle de la souris gaming• GAMING CERTIFIED• Open Broadcaster Software<ul style="list-style-type: none">▶ Encoding using H264 (x264) and AAC.▶ Support pour Intel Quick Sync Video (QSV) et NVENC.▶ Unlimited number of scenes and sources.▶ Live RTMP streaming to Twitch, YouTube, DailyMotion, Hitbox and more.

A continuer sur la page suivante

Continué de la page précédente

Fonctions spéciales MSI	<ul style="list-style-type: none">• CLICK BIOS 5<ul style="list-style-type: none">▶ Switch entre les mode Simplifié et Avancé▶ Board Explorer (Tableau des connecteurs)▶ Hardware Monitor (Moniteur système)• MILITARY CLASS 5<ul style="list-style-type: none">▶ Composants électroniques Military Class▶ Stabilité et fiabilité<ul style="list-style-type: none">- Protection contre les décharges électrostatique- Protection contre les interférences électromagnétiques- Protection contre l'humidité- Protection du circuit- Protection contre la hausse de température- Slots Steel Armor PCIe• COMMAND CENTER<ul style="list-style-type: none">▶ Moniteur système▶ Contrôle des ventilateurs• RAMDISK• LIVE UPDATE 6• M-CLOUD• CPU-Z• LED Debug du mode simplifié
Informations supplémentaires	<ul style="list-style-type: none">• DDR4 Boost Support<ul style="list-style-type: none">▶ Support mémoire DDR4 Dual-Channel▶ Circuit DDR4 isolé▶ DDR4 XMP Ready• PCI Express 3.0 Support<ul style="list-style-type: none">▶ 2-Way Nvidia SLI™ Support▶ 3-Way AMD CrossFire™ Support• USB 3.1 Gen2 Ready (Z170A KRAIT GAMING)<ul style="list-style-type: none">▶ Compatible USB 3.1 Gen2 (10 Gb/s) Type A• Compatible Turbo M.2<ul style="list-style-type: none">▶ Support PCIe 3.0 x4 (32 Gb/s)▶ Support PCIe / SATA Dual Mode• Support SATA Express• Support NVMe / AHCI Driver• Support U.2 (en option)

Panneau arrière Entrée/ Sortie

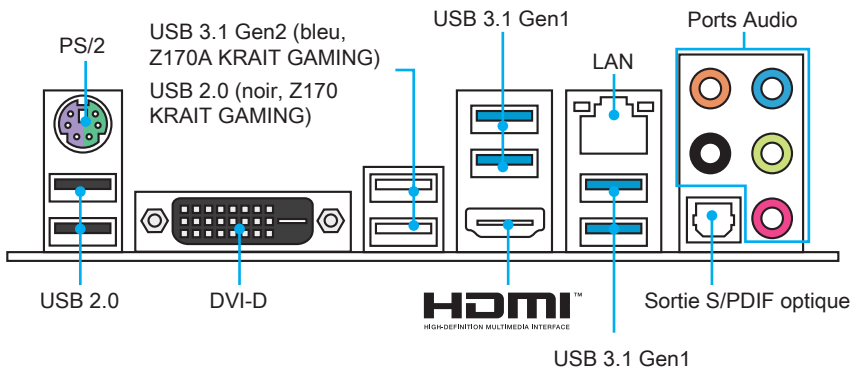


Tableau explicatif de l'état de la LED du port LAN

LED indiquant la connexion et l'activité		LED indiquant la vitesse								
Etat	Description									
Eteint	Pas de connexion	<table border="1"> <thead> <tr> <th>Etat</th> <th>Description</th> </tr> </thead> <tbody> <tr> <td>Eteint</td> <td>Débit de 10 Mbps</td> </tr> <tr> <td>Vert</td> <td>Débit de 100 Mbps</td> </tr> <tr> <td>Orange</td> <td>Débit de 1 Gbps</td> </tr> </tbody> </table>	Etat	Description	Eteint	Débit de 10 Mbps	Vert	Débit de 100 Mbps	Orange	Débit de 1 Gbps
Etat	Description									
Eteint	Débit de 10 Mbps									
Vert	Débit de 100 Mbps									
Orange	Débit de 1 Gbps									
Jaune	Connexion correcte									
Cignote	Activité en cours									

Configuration des ports audio

Audio Ports	Canal			
	2	4	6	8
Sortie centre/ Caisson de basse			•	•
Sortie casque arrière		•	•	•
Ligne-entrée/ sortie casque côté				•
Ligne-sortie/ sortie casque avant	•	•	•	•
Entrée microphone				

(•: connecté, Espace : vide)

Illustration de l'utilisation des ports audio dédiés au casque et au microphone

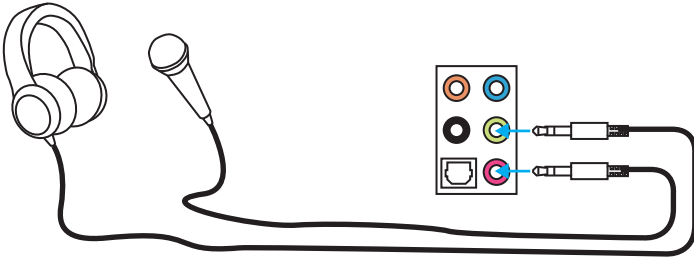


Illustration de l'utilisation du port audio dédié aux haut-parleurs

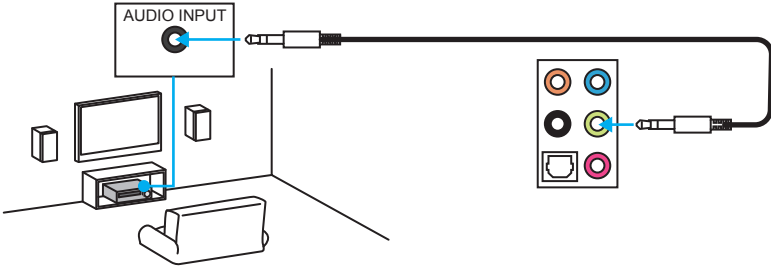
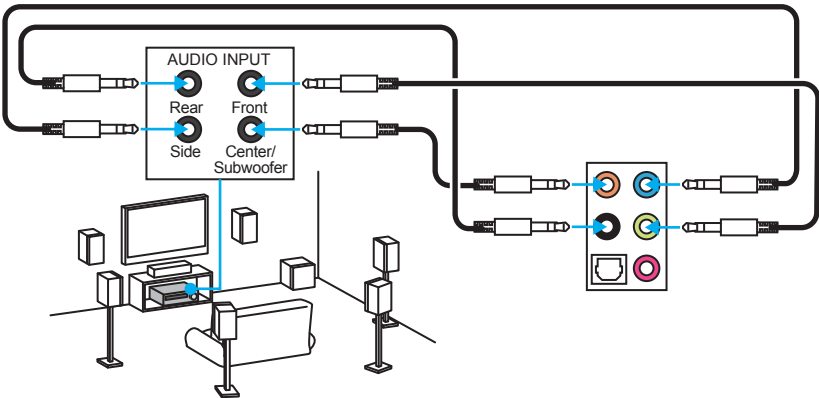
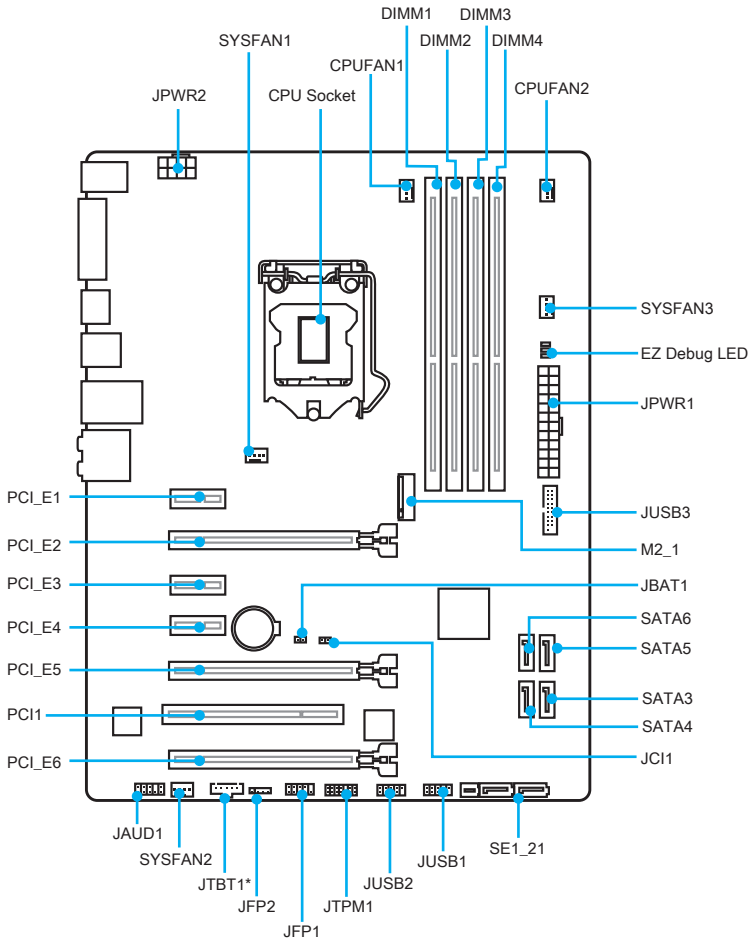


Illustration de l'utilisation des ports audio dédiés aux haut-parleurs 7.1

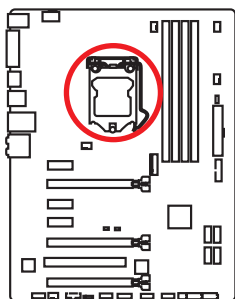


Vue d'ensemble des composants



* JTBT1 est utilisé pour connecter une carte spécifique.

Socket processeur

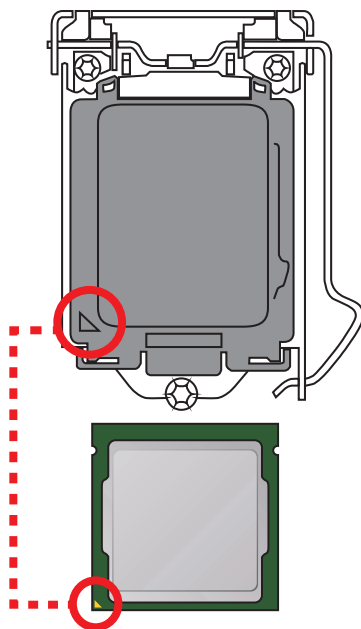


Présentation du socket LGA 1151

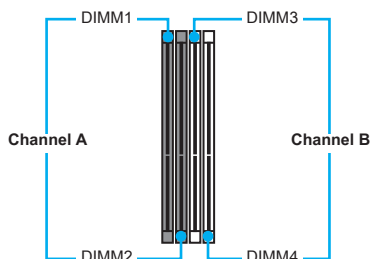
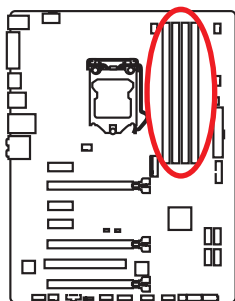
Sur le socket LGA 1151, vous remarquerez **deux encoches** et un **triangle jaune** servant d'indicateur pour placer le processeur dans la bonne position sur la carte mère. Le triangle jaune correspond à la broche 1 du processeur.

Important

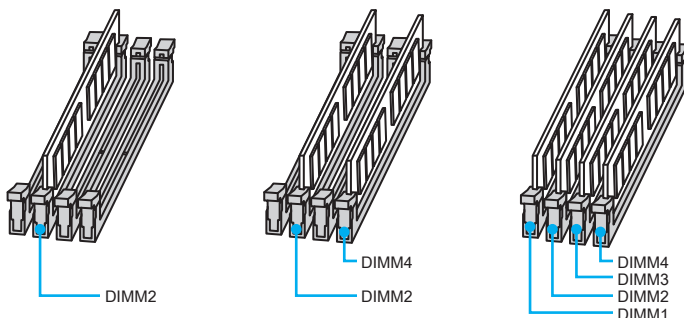
- Avant d'installer ou de retirer le processeur du socket, veillez à toujours débrancher le câble d'alimentation de la prise électrique.
- Veuillez garder le capot de protection du processeur après l'installation du processeur. Selon les exigences de RMA (Return Merchandise Authorization), MSI n'acceptera pas les cartes mère dont le capot de protection aura été retiré.
- Lors de l'installation d'un processeur, n'oubliez pas d'installer un ventilateur pour processeur. Un ventilateur de processeur est nécessaire pour protéger le processeur contre la surchauffe et maintenir la stabilité du système.
- Assurez-vous de l'étanchéité entre le ventilateur et le processeur avant de démarrer votre système.
- La surchauffe peut facilement endommager le processeur et la carte mère. Assurez-vous toujours que le système de refroidissement fonctionne correctement pour protéger le processeur de la surchauffe. Assurez-vous d'appliquer une couche de pâte thermique (ou adhésif thermique) entre le processeur et le système de refroidissement afin d'améliorer la dissipation de la chaleur.
- Quand le processeur n'est pas installé, protégez toujours les broches de l'emplacement du processeur avec le couvercle dédié.
- Si vous avez acheté un processeur indépendamment du ventilateur, veuillez vous référer à la documentation dans le paquet du ventilateur pour plus d'informations concernant l'installation.
- Cette carte mère supporte l'overclocking. Néanmoins, veuillez vous assurer que vos composants soient capables de tolérer l'overclocking. Prenez note que l'utilisation au-delà des spécifications du constructeur n'est pas recommandée. MSI® ne garantit pas les dommages et risques causés par les utilisations non prévues dans les spécifications du produit.



Slots DIMM



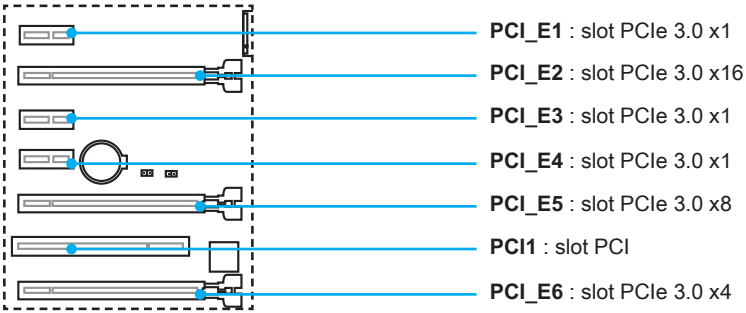
Installation recommandée de module mémoire



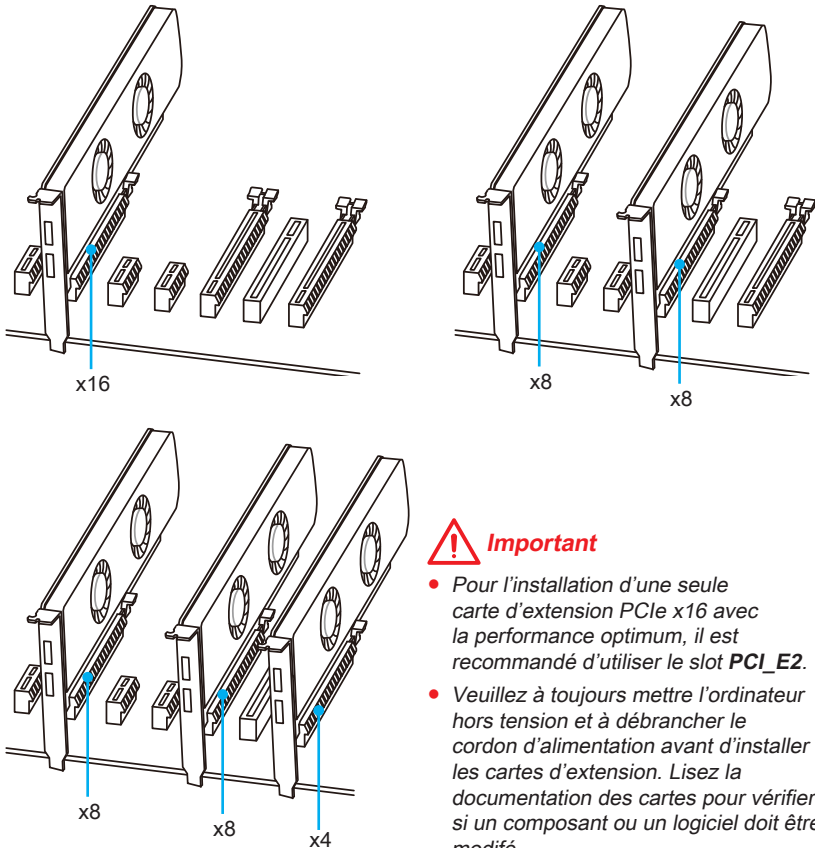
Important

- Veillez à toujours insérer un module de mémoire dans l'emplacement **DIMM2** en premier.
- Du fait des ressources utilisées par le chipset, la capacité de mémoire disponible est un peu moins élevée que celle installée.
- Basé sur les spécifications du processeur Intel, une tension d'une barrette mémoire en dessous de 1.35V est conseillée pour protéger le processeur.
- Veuillez noter que la capacité maximum de la mémoire est de 4 Go ou moins pour le système d'exploitation Windows 32-bit du fait de la limitation de mémoire. Par conséquent, il est recommandé d'installer le système d'exploitation Windows 64-bit si vous voulez installer une mémoire de plus de 4 Go sur la carte mère.
- Certaines mémoires peuvent fonctionner à une fréquence réduite par rapport à la valeur indiquée lors de l'overclocking car la fréquence d'opération de mémoire dépend du Serial Presence Detect (SPD). Rendez-vous sur le BIOS et choisissez la fonction **Memory Try It!** pour régler la fréquence de mémoire si vous voulez faire fonctionner la mémoire à la fréquence indiquée ou à une fréquence plus élevée.
- Il est recommandé d'utiliser un système de refroidissement qui sera capable de refroidir toutes les barrettes mémoire et d'offrir de bonnes performances lors d'un overclocking.
- La stabilité et la compatibilité du module de mémoire lors de l'overclocking dépendent du processeur et des périphériques installés.

PCI_E1~6, PCI1 : Slots d'extension PCIe/ PCI



Installation recommandée pour une configuration multi-GPU



Important

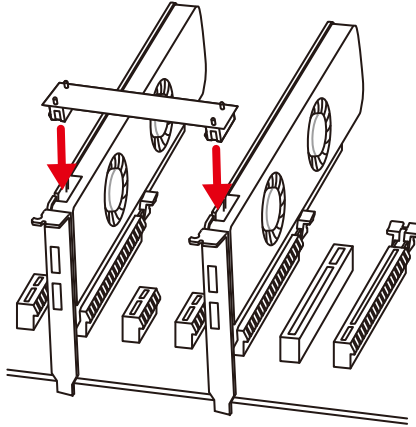
- Pour l'installation d'une seule carte d'extension PCIe x16 avec la performance optimum, il est recommandé d'utiliser le slot **PCI_E2**.
- Veuillez à toujours mettre l'ordinateur hors tension et à débrancher le cordon d'alimentation avant d'installer les cartes d'extension. Lisez la documentation des cartes pour vérifier si un composant ou un logiciel doit être modifié.

Installation des cartes graphiques SLI

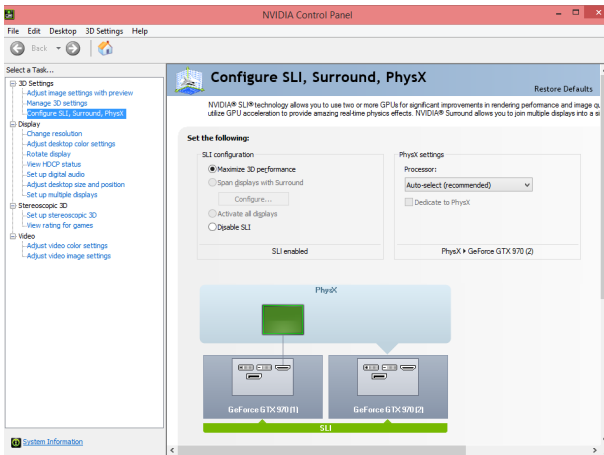
Pour savoir quel type d'alimentation est recommandé pour une configuration SLI, veuillez vous référer au mode d'emploi de votre carte graphique, afin de parfaitement répondre à la demande du système.

Pour installer les cartes graphique en SLI :

1. Eteignez votre ordinateur et déconnectez le cordon d'alimentation. Installez deux cartes graphiques dans les slots **PCI_E2** et **PCI_E5**.
2. Connectez les deux cartes graphiques avec un **pont SLI**.

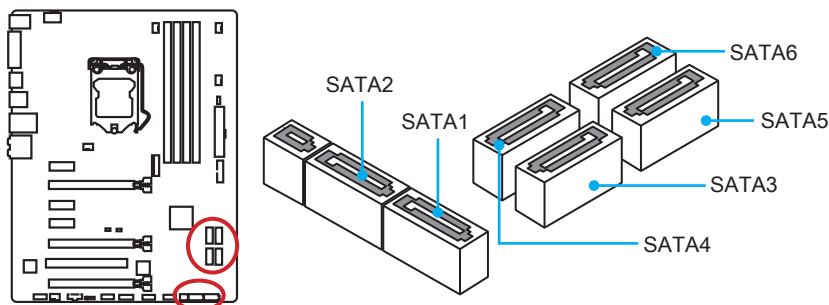


3. Reliez tous les connecteurs d'alimentation PCIe des cartes graphiques.
4. Reconnectez le cordon d'alimentation, allumez votre ordinateur et installez les pilotes et logiciels fournis avec la carte graphique.
5. Faites un clic droit sur le bureau de Windows et choisissez **NVIDIA Control Panel** dans le menu. Sur l'onglet de gauche, cliquez sur **Configure SLI, Surround, PhysX** dans l'onglet à gauche. Sélectionnez **Maximize 3D performance** dans le menu de configuration SLI et puis cliquez sur **Appliquer**.



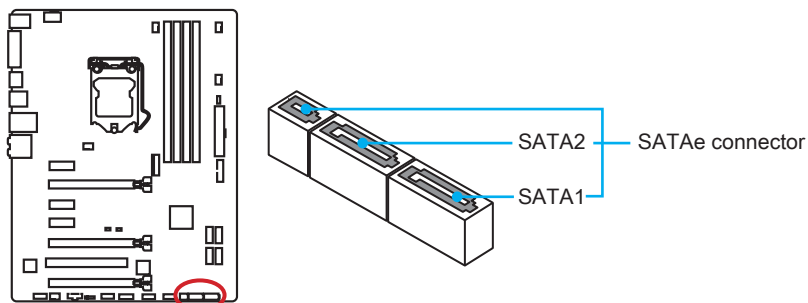
SATA1~6 : Connecteurs SATA 6Gb/s

Ce connecteur est un port à interface SATA 6 Gb/s. Chaque connecteur peut être relié à un appareil SATA.



SE1_21 : Connecteurs SATA Express

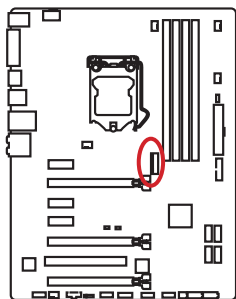
Ce connecteur est un port à interface SATAe (SATA Express). Chaque connecteur SATAe peut être utilisé avec un périphérique SATAe unique ou deux périphériques SATA mode Legacy.



Important

- Les ports SATA5~6 sont indisponibles lorsqu'un module d'interface M.2 est installé dans le port M.2.
- Veuillez ne pas plier le câble SATA à 90° car cela pourrait entraîner une perte de données pendant la transmission.
- Les câbles SATA disposent de prises identiques sur chaque côté. Néanmoins, il est recommandé de connecter la prise plate sur la carte mère pour un gain d'espace.

M2_1 : Slots M.2



Important

- Les ports SATA5~6 sont indisponibles lorsqu'un module d'interface M.2 est installé dans le port M.2.
- La technologie Intel® RST supporte seulement un SSD M.2 PCIe avec une mémoire ROM UEFI et non avec une mémoire ROM Legacy.

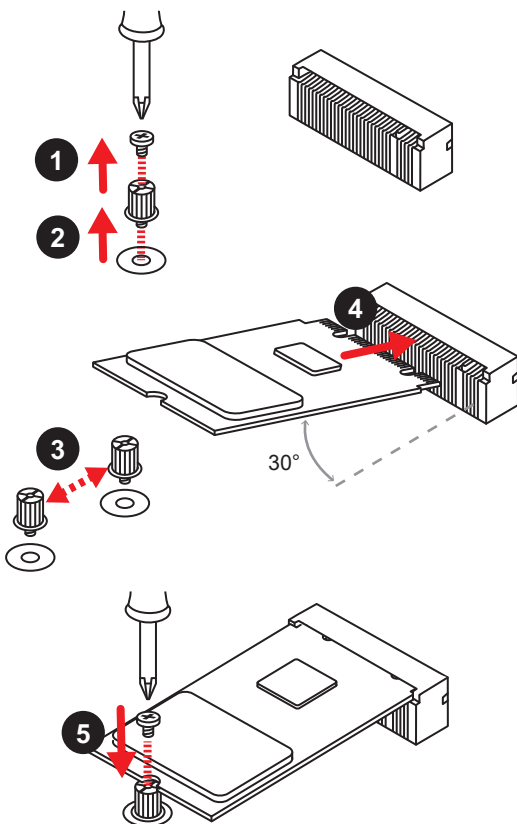


Vidéo de démonstration

Pour en savoir plus sur l'installation du module M.2, cliquez sur le lien ci-dessous.
<http://youtu.be/JCTFABytrYA>

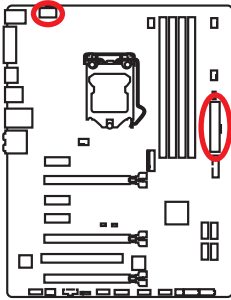
Installation du module M.2

1. Enlevez la vis de la vis de base.
2. Enlevez la vis de base.
3. Fixez la vis de base dans le trou correspondant à la longueur du module M.2.
4. Insérez votre module M.2 dans l'emplacement M.2 à un angle de 30 degrés.
5. Positionnez la vis dans l'encoche située sur le bord du module M.2 et fixez-la dans la vis de base.



JPWR1~2 : Connecteurs d'alimentation

Ce connecteur vous permet de relier une alimentation ATX.



1	Ground	5	+12V
2	Ground	6	+12V
3	Ground	7	+12V
4	Ground	8	+12V

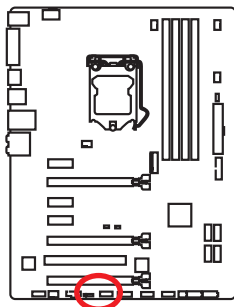
1	+3.3V	13	+3.3V
2	+3.3V	14	-12V
3	Ground	15	Ground
4	+5V	16	PS-ON#
5	Ground	17	Ground
6	+5V	18	Ground
7	Ground	19	Ground
8	PWR OK	20	Res
9	5VSB	21	+5V
10	+12V	22	+5V
11	+12V	23	+5V
12	+3.3V	24	Ground

Important

Veillez vous assurer que tous les câbles d'alimentation sont branchés aux connecteurs adéquats afin garantir une opération stable de la carte mère.

JFP1, JFP2 : Connecteurs panneau avant

Ces connecteurs se lient aux interrupteurs et indicateurs LED du panneau avant.

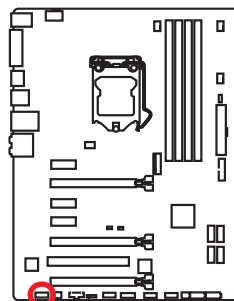


1	HDD LED +	2	Power LED +
3	HDD LED -	4	Power LED -
5	Reset Switch	6	Power Switch
7	Reset Switch	8	Power Switch
9	Reserved	10	No Pin

1	Speaker -	2	Buzzer +
3	Buzzer -	4	Speaker +

JAUD1 : Connecteur audio avant

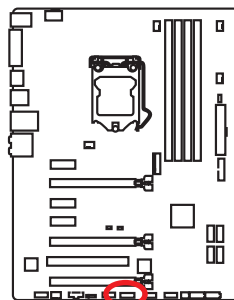
Ce connecteur se lie aux jacks audio du panneau avant.



1	MIC L	2	Ground
3	MIC R	4	NC
5	Head Phone R	6	MIC Detection
7	SENSE_SEND	8	No Pin
9	Head Phone L	10	Head Phone Detection

JTPM1 : Connecteur de module TPM

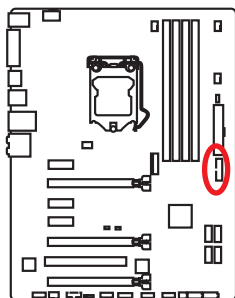
Ce connecteur est relié à un module TPM (Trusted Platform Module, en option).
Veuillez vous référer au manuel du module TPM pour plus d'informations.



1	LPC Clock	2	3V Standby power
3	LPC Reset	4	3.3V Power
5	LPC address & data pin0	6	Serial IRQ
7	LPC address & data pin1	8	5V Power
9	LPC address & data pin2	10	No Pin
11	LPC address & data pin3	12	Ground
13	LPC Frame	14	Ground

JUSB3 : Connecteur USB 3.1 Gen1

Ce connecteur vous permet de relier un port USB 3.1 Gen1 sur le panneau avant.



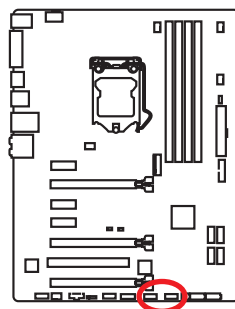
1	Power	11	USB2.0+
2	USB3_RX_DN	12	USB2.0-
3	USB3_RX_DP	13	Ground
4	Ground	14	USB3_TX_C_DP
5	USB3_TX_C_DN	15	USB3_TX_C_DN
6	USB3_TX_C_DP	16	Ground
7	Ground	17	USB3_RX_DP
8	USB2.0-	18	USB3_RX_DN
9	USB2.0+	19	Power
10	Ground	20	No Pin

Important

Notez que les câbles d'alimentation et de terre doivent être branchés correctement afin d'éviter d'endommager la carte.

JUSB1~2 : Connecteurs USB 2.0

Ces connecteurs vous permettent de relier des ports USB 2.0 sur le panneau avant.



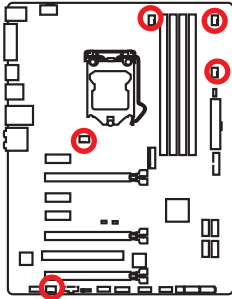
1	VCC	2	VCC
3	USB0-	4	USB1-
5	USB0+	6	USB1+
7	Ground	8	Ground
9	No Pin	10	NC

Important


- Notez que les broches VCC et Terre doivent être branchées correctement afin d'éviter tout dommage sur la carte mère.
- Pour recharger votre tablette, smartphone ou autre périphérique par l'intermédiaire d'un port USB, veuillez installer l'utilitaire MSI® SUPER CHARGER.

CPUFAN1~2, SYSFAN1~3 : Connecteurs pour ventilateurs



Les connecteurs pour ventilateurs peuvent être utilisés en mode PWM (Pulse Width Modulation) et en mode tension. En mode PWM, les connecteurs fournissent une sortie de 12V constante et ajustent la vitesse des ventilateurs avec un signal de contrôle de vitesse. En mode tension, les connecteurs contrôlent la vitesse des ventilateurs en modifiant la tension. Par conséquent, quand vous branchez un ventilateur à 3 broches (Non-PWM) à un connecteur de ventilateur de mode PWM, la vitesse sera toujours maintenue à 100% et cela occasionnera du bruit.



Connecteurs pour ventilateurs en mode PWM

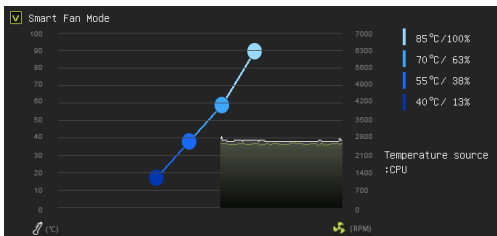
 1 CPUFAN1/ CPUFAN2			
1	Ground	2	+12V
3	Sense	4	Speed Control Signal

Connecteurs pour ventilateurs en mode tension

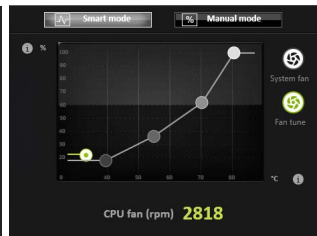
 1 SYSFAN3		 1 SYSFAN1/ SYSFAN2	
1	Ground	2	Voltage Control
3	Sense	4	NC

Contrôler la vitesse des ventilateurs

Il existe deux façons de gérer la vitesse des ventilateurs. La première est d'aller dans le **BIOS** puis **HARDWARE MONITOR**. La seconde est d'utiliser l'application **COMMAND CENTER**.



BIOS > HARDWARE MONITOR

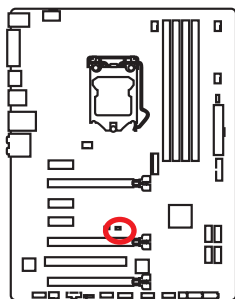


COMMAND CENTER

Ces deux méthodes proposent une augmentation graduée de la vitesse des ventilateurs, vous permettant d'ajuster la vitesse de ventilateur par rapport à la température du processeur.

JCI1 : Connecteur intrusion châssis

Ce connecteur est relié à un câble d'interrupteur intrusion châssis.



Normal
(default)



Trigger the chassis
intrusion event

Utilisation du détecteur d'intrusion châssis

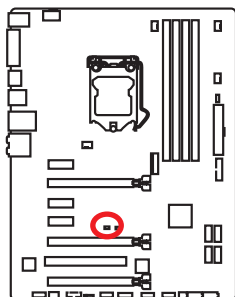
1. Reliez le connecteur **JCI1** à l'interrupteur ou au capteur d'intrusion châssis situé sur le boîtier du PC.
2. Fermez le couvercle du boîtier.
3. Allez dans le **BIOS > Settings (Réglages) > Security (Sécurité) > Chassis Intrusion Configuration (Configuration intrusion châssis)**.
4. Réglez **Chassis Intrusion (intrusion châssis)** sur **Enabled (Activé)**.
5. Appuyez sur **F10** pour sauvegarder et quitter. Ensuite appuyez sur la touche **Entrée** pour choisir **Oui**.
6. Désormais, si le boîtier du PC est ouvert quand l'ordinateur est allumé, vous recevrez un message d'alerte à l'écran.

Réinitialisation de l'alerte intrusion châssis

1. Allez dans le **BIOS > Settings (Réglages) > Security (Sécurité) > Chassis Intrusion Configuration (Configuration intrusion châssis)**.
2. Mettez **Chassis Intrusion (intrusion châssis)** en **Reset (Remettre)**.
3. Appuyez sur **F10** pour sauvegarder et quitter. Ensuite appuyez sur la touche **Entrée** pour choisir **Oui**.

JBAT1 : Cavalier clear CMOS (Réinitialisation BIOS)

Une mémoire CMOS est intégrée et est alimentée en externe par une batterie située sur la carte mère afin de conserver les données de configuration système. Si vous souhaitez nettoyer la configuration système, placez le cavalier sur Effacer CMOS de manière à nettoyer la mémoire CMOS.



Conserv
les données
(défaut)



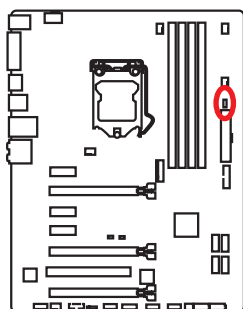
Effacer CMOS/
Réinitialiser BIOS

Réinitialiser le BIOS aux valeurs par défaut

1. Eteignez l'ordinateur et débranchez le câble d'alimentation de la prise électrique.
2. Utilisez un couvercle de cavalier pour fermer JBAT1 pour environ 5-10 secondes.
3. Enlevez le couvercle de cavalier du JBAT1.
4. Branchez de nouveau le câble d'alimentation à votre ordinateur et allumez-le.

EZ Debug LED : Indicateurs LED Debug

Ces LEDs indiquent l'état de la carte mère.



- CPU - indique le CPU non détecté ou échoué.
- DRAM - indique le DRAM non détectée ou échouée.
- VGA - indique le GPU non détecté ou échoué.

Configuration du BIOS

Les réglages par défaut fournissent une performance optimale pour la stabilité du système en conditions normales. Veillez à **toujours garder les réglages par défaut** pour éviter d'endommager le système ou tout problème au démarrage, sauf si vous êtes familier avec le BIOS.

Important

- Le BIOS est constamment mis à jour afin d'offrir de meilleures performances système. Par conséquent, la description peut différer selon la version de BIOS utilisée et n'est donc donnée qu'à titre de référence. Vous pouvez aussi vous référer à l'onglet **Help (Aide)** pour obtenir la description des fonctions du BIOS.
- Les photos ne sont données qu'à titre de référence et peuvent varier selon le produit que vous achetez.

Entrer dans l'interface Setup du BIOS

Pour entrer dans l'interface Setup du BIOS, vous pouvez suivre ces deux méthodes :

- Pendant le démarrage, lorsqu'apparaît le message "Press DEL key to enter Setup Menu, F11 to enter Boot Menu" sur l'écran, veuillez appuyer sur la touche Suppr.
- Quand l'ordinateur est déjà en marche, vous pouvez utiliser l'application **MSI FAST BOOT**. Cliquez sur le bouton **GO2BIOS** puis sur **OK**. Le système redémarre et entre dans l'interface Setup du BIOS.



Cliquez sur **GO2BIOS**

- Activez le menu **GO2BIOS (SETTING > Boot > GO2BIOS)** dans le **mode Avancé (F7)** du Setup du BIOS. Ceci permet au système d'entrer dans la configuration du BIOS directement en appuyant sur le bouton d'alimentation pendant 4 secondes lors de démarrage.

Touches de fonction

Touche	Fonction	Touche	Fonction
F1	Aide générale	F3	Entrer dans le menu Favoris
F4	Entrer dans le menu de réglages du processeur	F5	Entrer dans le menu Memory-Z
F6	Réinitialiser avec paramètres par défaut	F8	Charger le profil d'overclocking
F9	Sauvegarder le profil d'overclocking	F10	Sauvegarder les modifications et réglages*

* Lorsque vous appuyez sur F10, une fenêtre de confirmation apparaît et fournit l'information de modification. Choisissez entre **Oui** et **Non** pour confirmer.

Réinitialiser le BIOS

Il se peut que vous ayez besoin de récupérer les réglages BIOS par défaut pour résoudre des problèmes. Pour réinitialiser les réglages du BIOS, veuillez suivre l'une des méthodes suivantes :

- Allez dans le **Setup du BIOS** et appuyez sur **F6** pour charger les réglages par défaut.
- Eteignez votre machine. Mettez-la hors tension en appuyant sur le bouton au dos de votre alimentation ou en débranchant le cordon de l'alimentation. Placez le **cavalier Clear CMOS** dans l'autre position possible pendant quelques secondes, puis remettez le en position d'origine.
- Si votre carte mère dispose d'un bouton **Clear CMOS**, appuyez sur ce bouton qui est situé sur le panneau arrière Entrée/Sortie.

Mettre le BIOS à jour

Mettre le BIOS à jour avec M-FLASH

Avant la mise à jour :

Veuillez télécharger la dernière version de BIOS compatible à votre carte mère sur le site MSI. Ensuite, veuillez sauvegarder le nouveau BIOS sur le lecteur flash USB.

Mettre le BIOS à jour :


1. Appuyez sur la touche Suppr pour entrer dans l'interface Setup du BIOS pendant le processus de POST.
2. Connectez le lecteur Flash USB contenant le profil à l'ordinateur.
3. Choisissez l'onglet M-FLASH et cliquez sur Yes (Oui) pour redémarrer le système et entrer dans le mode Flash.
4. Choisissez un profil BIOS pour commencer la mise à jour du BIOS.
5. Une fois la mise à jour terminée, le système redémarrera automatiquement.

Mettre le BIOS à jour avec Live Update 6

Avant la mise à jour :

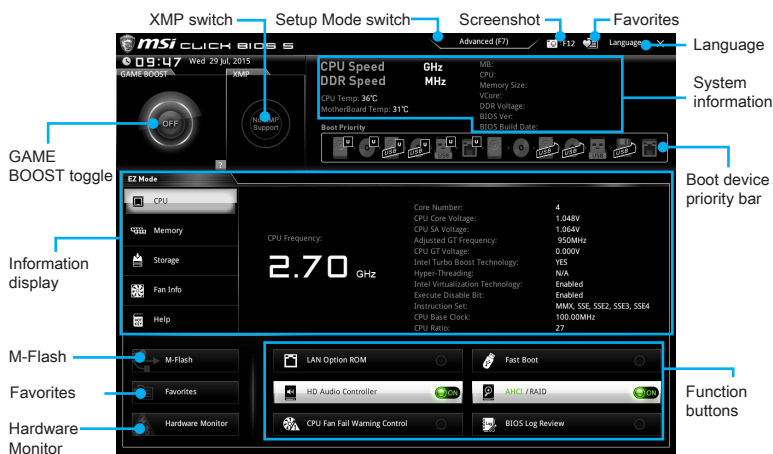
Assurez-vous que le lecteur LAN est bien installé et que l'ordinateur est correctement connecté à internet.

Mettre le BIOS à jour :

1. Installez et lancez **MSI LIVE UPDATE 6**.
2. Choisissez **Manual scan (Scan manuel)**.
3. Vérifiez la boîte **MB BIOS** et cliquez sur le bouton **Scan**.
4. Choisissez le **MB BIOS** et cliquez sur l'icône  pour télécharger et installer la dernière version du BIOS.
5. Cliquez sur **Suivant** et choisissez le mode **In Windows**. Ensuite, cliquez sur **Next (Suivant)** et **Start (Commencer)** pour lancer la mise à jour de BIOS.
6. Une fois la mise à jour terminée, le système redémarrera automatiquement.

EZ Mode (mode simplifié)

Le mode EZ vous fournit les **informations basiques du système** et vous permet de configurer les réglages de base. Si vous souhaitez configurer les réglages du BIOS, veuillez utiliser le mode Advanced en appuyant sur le **switch Setup Mode** ou la touche de fonction **F7**.



- **Function buttons (boutons de fonction)** : en cliquant sur leur bouton respectif, vous pourrez activer les fonctions **LAN Option ROM**, **Fast Boot**, **HD audio controller**, **AHCI, RAID**, **CPU Fan Fail Warning Control** et **BIOS Log Review**.
- **Hardware Monitor (moniteur de matériel)** : cliquez sur ce bouton pour faire apparaître le menu **Hardware Monitor** qui vous permet de contrôler manuellement la vitesse des ventilateurs.
- **M-Flash** : cliquez sur ce bouton pour faire apparaître le menu **M-Flash** qui fournit la méthode de mise à jour BIOS à l'aide d'un disque flash USB.
- **Information display (écran d'informations)** : cliquez sur les boutons **CPU (Processeur)**, **Memory (Mémoire)**, **Storage (Stockage)**, **Fan Info (Info ventilateurs)** et **Help (Aide)** à gauche de la fenêtre pour obtenir les informations respectives.
- **Boot device priority bar (Barre priorité de périphérique démarrage)** : vous pouvez déplacer les icônes dédiés aux périphériques pour modifier la priorité au démarrage. Le sens de la priorité va de gauche à droite.
- **System information (informations du système)** : montre la vitesse et la tension du processeur et de la mémoire, la température du processeur et de la carte mère, le type de carte mère et de processeur, la capacité mémoire, la version du BIOS et la date d'installation.
- **Language (langue)** : vous permet de choisir la langue du BIOS.
- **Screenshot (capture d'écran)** : appuyez sur ce menu ou sur la touche F12 pour prendre une capture d'écran et la conserver dans le lecteur flash USB (lecteur flash USB au format FAT ou FAT32 uniquement).

- **Setup Mode switch (interrupteur de modes de réglages)** : appuyez sur ce menu ou la touche F7 pour commuter entre le mode avancé et le mode simplifié.
- **XMP switch (interrupteur XMP)** : cliquez sur le cercle intérieur pour activer ou désactiver le profil XMP (Extreme Memory Profile). Cliquez sur le cercle extérieur pour choisir le profil XMP. Cet interrupteur est seulement disponible si le profil XMP supporte le module de mémoire installé.
- **GAME BOOST toggle (Bouton GAME BOOST)** : appuyez sur le bouton **GAME BOOST** pour activer ou désactiver cette fonctionnalité.



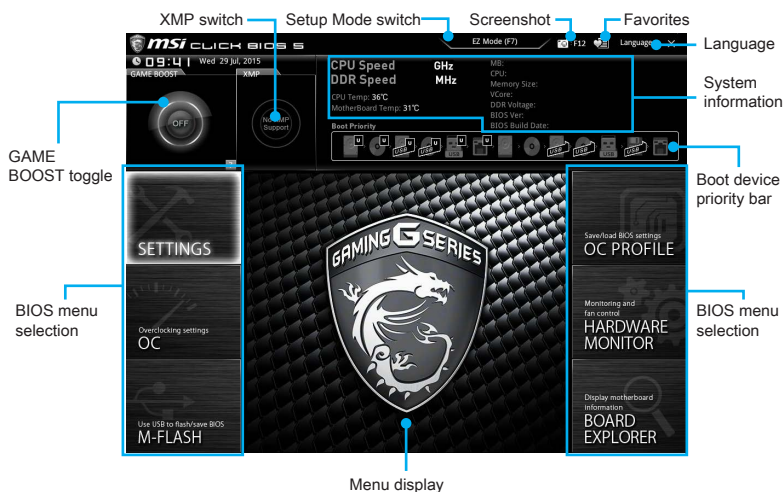
Important

Après l'activation de la fonction GAME BOOST, il est conseillé de ne faire aucune modification dans menu OC et de ne pas charger les réglages par défauts pour conserver des performances optimales et une bonne stabilité du système.

- **Favorites (Favoris)** : appuyez sur n'importe quel onglet Favorites ou la touche **F3** pour entrer dans le menu Favorites. Il vous permet de créer un menu BIOS personnalisé où vous pourrez sauvegarder et accéder à vos réglages favoris ou fréquemment utilisés.
 - ▶ **Default Homepage (page d'accueil par défaut)** : vous permet de choisir l'un des menus du BIOS (par exemple, Réglages, OC, etc.) comme page d'accueil.
 - ▶ **Favorite 1 ~ 5 (Favoris 1 ~ 5)** : vous permettent d'afficher les menus de réglages BIOS fréquemment utilisés ou les favoris sur une seule page.
 - ▶ **Ajouter les menus BIOS sur une seule page des favoris (Favoris 1~5)**
 1. Choisissez un paramètre du BIOS dans les menus Réglages, OC ou OC PROFILE.
 2. Faites un clic droit ou appuyez sur la touche **F2**.
 3. Choisissez une page de favoris et cliquez sur **OK**.
 - ▶ **Supprimer un paramètre du BIOS de la page des favoris**
 1. Choisissez le menu BIOS sur la page favorite (Favorite 1~5).
 2. Faites un clic droit ou appuyez sur la touche **F2**.
 3. Choisissez **Delete (Effacer)** et cliquez sur **OK**.

Advanced mode (mode avancé)

Appuyez sur le **Setup Mode switch** (interrupteur de modes de réglages) ou sur la touche de fonction F7 pour commuter entre le mode simplifié et le mode avancé.



- **GAME BOOST toggle / XMP switch/ Setup Mode switch/ Screenshot/ Favorites/ Language/ System information/ Boot device priority bar** : veuillez vous référer à la partie EZ mode pour plus de précision.
- **BIOS menu selection (Sélection du menu BIOS)** : les options suivantes sont disponibles:
 - ▶ **SETTINGS(réglages)** : permet de personnaliser les paramètres du chipset et du démarrage des périphériques.
 - ▶ **OC** : permet d'ajuster la fréquence et la tension. L'augmentation de la fréquence peut améliorer les performances.
 - ▶ **M-FLASH** : permet de mettre le BIOS à jour avec un lecteur flash USB.
 - ▶ **OC PROFILE** : permet de gérer les profils d'overclocking.
 - ▶ **HARDWARE MONITOR** : permet de régler la vitesse des ventilateurs et de surveiller la tension du système.
 - ▶ **BOARD EXPLORER** : fournit des informations sur les périphériques installés sur la carte mère.
- **Menu display (Ecran de menu)** : affiche les menus de réglages BIOS et les informations à configurer.

OC Menu (menu overclocking)

Ce menu est destiné aux utilisateurs avancés souhaitant overclocker leur carte mère.



Important

- L'overclocking manuel du PC n'est recommandé que pour les utilisateurs avancés.
- L'overclocking n'est pas garanti et une mauvaise manipulation peut rendre nulle votre garantie et sévèrement endommager votre matériel.
- Si vous n'êtes pas familier avec l'overclocking, nous vous recommandons d'utiliser **GAME BOOST** un overclocking simplifié et plus stable.

▶ **OC Explore Mode [Normal]**

Active ou désactive le mode Normal ou Expert des réglages OC.

[Normal] Fournit les réglages OC standards dans les réglages BIOS.

[Expert] Fournit les réglages OC avancés pour les utilisateurs avancés et à configurer dans les réglages BIOS.

Remarque : Nous utilisons le symbole * pour indiquer les réglages OC du mode Expert.

▶ **CPU Ratio Apply Mode [All Core]***

Règle le mode d'application en cours pour le ratio (ou multiplicateur du processeur). Ce menu n'apparaît que si le processeur installé est compatible avec **Turbo Boost**.

[All Core] Active le paramètre **CPU Ratio**. Tous les cœurs du processeur fonctionnent avec le même ratio, paramétré dans **CPU Ratio**.

[Per Core] Active le **X-Core Ratio Limit** qui règle le ratio de chaque cœur processeur de manière indépendante.

▶ **CPU Ratio [Auto]**

Définit le ratio servant à déterminer la vitesse d'horloge du processeur. Ce menu peut être modifié uniquement si le processeur prend cette fonction en charge.

▶ **1/2/3/4-Core Ratio Limit [Auto]***

Permet de définir le ratio du processeur pour différent nombre de cœurs actifs. Ce menu peut être modifié uniquement si le processeur prend cette fonction en charge.

▶ **Adjusted CPU Frequency**

Montre la fréquence ajustée du processeur. Fonctionne uniquement en lecture seule.

► **CPU Ratio Mode [Dynamic Mode]***

Choisit le mode d'opération du ratio du processeur. Ce menu apparaît lorsque vous réglez le ratio manuellement.

[Fixed Mode] Fixe le ratio.

[Dynamic Mode] Le ratio sera modifié dynamiquement selon la charge du processeur.

► **Ring Ratio [Auto]**

Définit le ratio Ring (soit du cache du processeur). La gamme de valeurs valides dépend du processeur installé.

► **Adjusted Ring Frequency**

Montre la fréquence Ring modifiée. Fonctionne uniquement en lecture seule.

► **GT Ratio [Auto]**

Règle le ratio de la puce graphique intégrée. La gamme de valeur valides dépend du processeur installé.

► **Adjusted GT Frequency**

Montre la fréquence de la puce graphique intégrée modifiée. Fonctionne uniquement en lecture seule.

► **Misc Setting***

Appuyez sur les touches Entrée et + ou - pour ouvrir ou fermer les 3 paramètres suivants, relatifs aux fonctionnalités du processeur.

► **EIST [Enabled]***

Active ou désactive la technologie Enhanced Intel® SpeedStep Technology.

[Enabled] Active la technologie EIST pour ajuster la tension du processeur et de la fréquence du cœur de manière dynamique. Cela diminue la consommation d'énergie et la production de chaleur moyennes.

[Disabled] Désactive EIST.

► **Intel Turbo Boost [Enabled]***

Active ou désactive Intel® Turbo Boost. Ce menu apparaît lorsque le processeur installé prend cette fonction en charge.

[Enabled] Active la fonction d'augmentation automatique des performances du processeur afin de dépasser la limite définie lorsque le système exige un niveau de performances plus élevé.

[Disabled] Désactive cette fonction.

► **Enhanced Turbo [Auto]**

Active ou désactive la fonction Enhanced Turbo pour tous les cœurs du processeur afin d'augmenter les performances du processeur.

[Auto] Ce réglage est configuré automatiquement par le BIOS.

[Enabled] Le ratio de tous les cœurs du processeur sont augmentés au maximum.

[Disabled] Désactive cette fonction.

► CPU Base Clock (MHz) [Default]

Définit la fréquence de base du processeur. Vous pouvez overclocker le processeur en ajustant sa valeur. Veuillez noter que les résultats de l'overclocking ne sont pas garantis. Ce menu est seulement disponible si le processeur installé supporte cette fonction.

► CPU Base Clock Apply Mode [Auto]*

Définit le mode d'application pour le réglage de la fréquence de base du processeur.

[Auto] Ce réglage est configuré automatiquement par le BIOS.

[Next Boot] Le processeur fonctionne avec une fréquence de base paramétrée pour le prochain démarrage.

[Immediate] Le processeur fonctionne avec une fréquence de base paramétrée immédiatement.

[During Boot] Le processeur fonctionne avec une fréquence de base paramétrée pendant le démarrage.

► Extreme Memory Profile (X.M.P.) [Disabled]

La technologie d'overclocking X.M.P. (Extreme Memory Profile) permet un overclocking par l'intermédiaire du module de mémoire. Ce menu est seulement disponible si vous disposez de modules de mémoire prenant en charge la technologie XMP.

[Disabled] Désactive cette fonction.

[Profile 1] Utilise le profil d'overclocking n°1 des modules de mémoire XMP installés.

[Profile 2] Utilise le profil d'overclocking n°2 des modules de mémoire XMP installés.

► DRAM Frequency [Auto]

Définit la fréquence de la mémoire. Veuillez noter que les résultats de l'overclocking ne sont pas garantis.

► Adjusted DRAM Frequency

Affiche la fréquence ajustée de la mémoire. Fonctionne en lecture seule.

► Memory Try It ! [Disabled]

Memory Try It! permet d'améliorer la compatibilité ou les performances en optimisant les pré-réglages de la mémoire.

► DRAM Timing Mode [Link]

Choisit le mode de latences mémoire.

[Link] Ceci vous permet de configurer manuellement les latences de la mémoire de toutes les barrettes de mémoire.

[UnLink] Ceci vous permet de configurer manuellement les latences pour chaque barrette de mémoire individuelle.

► Advanced DRAM Configuration

Appuyez sur la touche Entrée pour entrer dans le sous-menu. Ce sous-menu est activé par le réglage **[Link]** ou **[Unlink]** dans "DRAM Timing Mode". L'utilisateur peut régler la synchronisation de mémoire de chaque barrette de mémoire. Le système peut être instable ou peut ne plus redémarrer après le changement de la synchronisation de la mémoire. Dans ce cas-là, veuillez effacer les données CMOS et remettre les réglages par défaut (référez-vous à la section Clear CMOS pour effacer les données CMOS et entrez ensuite dans le BIOS pour charger les réglages par défaut).

► Memory Fast Boot [Auto] *

Active ou désactive l'initialisation et le test de la mémoire à chaque démarrage.

[Auto] Ce réglage est automatiquement configuré par le BIOS.

[Enabled] La mémoire imitera complètement l'archive de la première initiation et la première formation. La mémoire n'est ensuite plus initialisée ni testée au moment du démarrage, de façon à accélérer le démarrage du système.

[Disabled] La mémoire est initialisée et testée à chaque démarrage.

► CPU Core/ GT Voltage Mode [Auto]*

Choisit le mode de contrôle pour la tension du cœur du processeur et la tension GT.

[Auto] Ce réglage est configuré automatiquement par le BIOS.

[Adaptive Mode] Définit la tension adaptative automatiquement pour l'optimisation de la performance du système.

[Override Mode] Vous permet de régler la tension manuellement.

[Offset Mode] Vous permet de régler la tension de compensation et de choisir le mode de compensation pour la tension.

[Adaptive + Offset] Définit la tension adaptative automatiquement et vous permet de régler la tension de compensation.

[Override + Offset] Vous permet de définir manuellement la tension normale et la tension de compensation.

► CPU Voltages control [Auto]

Permet de définir les tensions relatives au processeur. En mode **[Auto]**, le BIOS configure ces tensions automatiquement. Vous pouvez également les paramétrer manuellement.

► DRAM Voltages control [Auto]

Permet de définir les tensions relatives à la mémoire. En mode **[Auto]**, le BIOS configure ces tensions automatiquement. Vous pouvez également les paramétrer manuellement.

► CPU Memory Changed Detect [Enabled]*

Active ou désactive les messages d'alerte système au démarrage suite au remplacement du processeur ou de la mémoire.

[Enabled] Le système montre un message d'alerte pendant le démarrage et vous devez charger les réglages par défaut pour les nouveaux périphériques.

[Disabled] Désactive cette fonction et garde les réglages BIOS actuels.

► OC Quick View Timer [3 Sec]*

Définit le temps pendant lequel le BIOS de affiche les modifications de la fréquence de base du processeur, du ratio du processeur, du ratio Ring (cache processeur) et du ratio de la mémoire DRAM. En mode **[Disabled (désactivé)]**, le BIOS ne montrera pas les modifications si vous modifiez ces paramètres.

► CPU Specifications

Appuyez sur la touche **[Entrée]** pour accéder au sous-menu. Ce sous-menu affiche les caractéristiques du processeur installé. Vous pouvez également accéder à ce sous-menu à tout moment en appuyant sur la touche **[F4]**. Fonctionne uniquement en lecture seule.

► CPU Technology Support

Appuyez sur la touche **[Entrée]** pour accéder au sous-menu. Ce sous-menu affiche les principales fonctions et technologies prises en charge par le processeur installé. Fonctionne uniquement en lecture seule.

► MEMORY-Z

Appuyez sur la touche **[Entrée]** pour accéder au sous-menu. Ce sous-menu affiche tous les réglages et timings de la mémoire installée. Vous pouvez également accéder à ce sous-menu à tout moment en appuyant sur la touche **[F5]**.

► DIMM1~4 Memory SPD

Appuyez sur la touche **[Entrée]** pour accéder au sous-menu. Ce sous-menu affiche les caractéristiques de la mémoire installée. Fonctionne uniquement en lecture seule.

► CPU Features

Appuyez sur la touche **[Entrée]** pour accéder au sous-menu.

► Hyper-Threading [Enabled]

La technologie d'hyper-threading traite chaque cœur processeur comme un processeur logique indépendant doté de ses propres données et permet de les faire fonctionner de manière simultanée. Ainsi, les performances système sont grandement améliorées. Cette fonction ne sera utilisable que si le processeur installé y est compatible.

[Enable] Active la technologie Intel Hyper-Threading.

[Disabled] Désactive la fonction si le système n'y est pas compatible.

► Active Processor Cores [All]

Vous permet de choisir le nombre des cœurs actifs.

► Limit CPUID Maximum [Disabled]

Active ou désactive la valeur CPUID maximum.

[Enabled] Le BIOS limite la valeur maximale d'entrée de CPUID pour contourner le problème de démarrage avec un système d'exploitation ne prenant pas en charge le processeur doté d'une valeur CPUID plus élevée.

[Disabled] Utilise la valeur maximale d'entrée de CPUID actuelle.

► **Execute Disable Bit [Enabled]**

La fonctionnalité Intel's Execute Disable Bit prévient certains niveaux d'attaques malveillantes de dépassement de tampon (buffer overflow) lors desquelles les vers informatiques tentent d'exécuter un code pour endommager le système. Il est recommandé de toujours garder cette fonction activée.

[Enabled] Active la protection contre les attaques malveillantes et les vers informatiques.

[Disabled] Désactive cette fonction.

► **Intel Virtualization Tech [Enabled]**

Active ou désactive la technologie Intel Virtualization.

[Enabled] Active la technologie Intel Virtualization et autoriser une plate-forme visant à faire fonctionner plusieurs systèmes d'exploitation dans des partitions indépendantes. Le système peut fonctionner virtuellement comme des systèmes multiples.

[Disabled] Désactive cette fonction.

► **Intel VT-D Tech [Disabled]**

Active ou désactive la technologie Intel VT-D (Intel Virtualization for Direct I/O).

► **Hardware Prefetcher [Enabled]**

Active ou désactive le prefetcher matériel (MLC Streamer prefetcher).

[Enabled] Permet au prefetcher matériel d'acquérir automatiquement les données et les instructions dans le cache L2 de la mémoire pour ajuster les performances du processeur.

[Disabled] Désactive le prefetcher matériel.

► **Adjacent Cache Line Prefetch [Enabled]**

Active ou désactive le prefetcher matériel du processeur (MLC Spatial prefetcher).

[Enabled] Active le prefetcher de la ligne de cache adjacente pour réduire le temps de latence et ajuster les performances dans l'application spécifique.

[Disabled] Active seulement la ligne de cache exigée.

► **CPU AES Instructions [Enabled]**

Active ou désactive le support CPU AES (Advanced Encryption Standard-New Instructions). Ce menu apparaît si le processeur prend cette fonction en charge.

► **Intel Adaptive Thermal Monitor [Enabled]**

Active ou désactive la fonction de régulation adaptative de la température du moniteur Intel pour protéger le processeur contre la surchauffe.

[Enabled] Ralentit l'horloge du cœur processeur lorsque sa température dépasse la température du régulateur adaptatif.

[Disabled] Désactive cette fonction.

► Intel C-State [Auto]

Intel C-state est une technologie de gestion d'alimentation du processeur définie par l'interface ACPI.

[Auto] Ce réglage est configuré automatiquement par le BIOS.

[Enabled] Détecte quand le système est inactif et réduit en conséquence la consommation d'énergie du processeur.

[Disabled] Désactive cette fonction.

► C1E Support [Disabled]

Active ou désactive la fonction C1E pensée pour économiser l'énergie. En effet, le système d'exploitation envoie une requête au processeur pour le forcer à s'arrêter. Ce menu apparaît lorsque **Intel C-State** est activé.

[Enabled] Active la fonction C1E pour réduire la fréquence et la tension du processeur et visant à économiser l'énergie quand le système est éteint.

[Disabled] Désactive cette fonction.

► Package C State limit [Auto]

Ce menu permet de choisir un mode C-state du processeur pour économiser l'énergie lorsque le système est en veille. Ce menu apparaît lorsque la fonction Intel C-State est activée.

► CFG Lock [Enabled]

Verrouille ou déverrouille la fonction MSR 0xE2[15], CFG lock bit.

[Enabled] Verrouille le CFG lock bit.

[Disabled] Déverrouille le CFG lock bit.

► EIST [Enabled]

Active ou désactive Enhanced Intel® SpeedStep Technology. Ce menu apparaît lorsque **OC Explore Mode** est mis en **Normal**.

[Enabled] Active la technologie EIST pour ajuster la tension du processeur et de la fréquence du cœur de manière dynamique. Cela diminue la consommation d'énergie et la production de chaleur moyennes.

[Disabled] Désactive la technologie EIST.

► Intel Turbo Boost [Enabled]

Active ou désactive la technologie Intel® Turbo Boost. Cette fonction est pensée pour le mode Normal et apparaît lorsque le processeur installé prend cette fonction en charge.

[Enabled] Active la fonction d'augmentation automatique des performances du processeur afin de dépasser limite définie lorsque le système exige un niveau de performances plus élevée.

[Disabled] Désactive cette fonction.

► Long Duration Power Limit (W) [Auto]

Définit le niveau d'alimentation maximum que le TDP (enveloppe thermique) du processeur peut supporter sur une longue période et en mode Turbo Boost.

► Long Duration Maintained (s) [Auto]

Définit la durée d'utilisation de la fonction Long Duration Power Limit (W).

▶ **Short Duration Power Limit (W) [Auto]**

Définit le niveau d'alimentation maximum que le TDP (enveloppe thermique) du processeur peut supporter sur une courte période et en mode Turbo Boost.

▶ **CPU Current Limit (A) [Auto]**

Définit le niveau d'alimentation maximum du package du processeur en mode Turbo Boost. Lorsque cette valeur est supérieure à une valeur définie, le processeur réduit automatiquement la fréquence du cœur pour réduire la consommation d'énergie.

▶ **FCLK Frequency [Auto]**

Définit la fréquence du signal d'horloge. Une fréquence FCLK réduite peut vous aider à conserver une fréquence de base élevée.

▶ **DMI Link Speed [Auto]**

Définit la vitesse de l'interface DMI (Direct Media Interface).

Informations sur les logiciels

Installer Windows® 7/ 8.1/ 10

1. Allumez l'ordinateur.

2. Insérez le disque de Windows® 7/ 8.1/ 10 dans le lecteur optique.

***Remarque** : du fait des limites du chipset pendant l'installation de Windows® 7, les lecteurs optiques USB et les clés USB ne seront pas supportés.*

3. Appuyez sur le bouton **Restart** du boîtier de l'ordinateur.

4. Pour windows 8.1/ 10, ne prenez pas cette étape en compte. Pour Windows 7, accédez au menu **BIOS SETTING > Advanced > Windows OS Configuration > Windows 7 Installation** et passez le menu en [activé], sauvegardez les modifications et redémarrez.

***Remarque** : Il est conseillé de brancher le clavier USB/ Souris USB au port USB de gauche pendant l'installation du Windows 7.*

5. Appuyez sur la touche **F11** pendant le POST (Power-On Self Test) du système pour entrer dans le menu Boot Menu.

6. Choisissez le lecteur optique du Boot Menu.

7. Appuyez sur n'importe quelle touche lorsqu'apparaît le message **[Press any key to boot from CD or DVD]**.

8. Suivez les instructions à l'écran pour installer Windows® 7/ 8.1/ 10.

Installer les pilotes

1. Allumez l'ordinateur sous Windows® 7/ 8.1/ 10.

2. Insérez le disque MSI® Driver Disc dans le lecteur optique.

3. L'outil d'installation apparaît automatiquement. Il trouvera et listera tous les pilotes dont vous avez besoin.

4. Cliquez sur le bouton **Install**.

5. L'installation des pilotes commence. Une fois terminée, il vous sera demandé de redémarrer.

6. Cliquez sur le bouton **OK** pour terminer.

7. Redémarrez votre ordinateur.

Installer les utilitaires

Avant d'installer les utilitaires, il faut compléter l'installation des pilotes.

1. Insérez le disque MSI® Driver dans le lecteur optique.

2. L'outil d'installation apparaît automatiquement.

3. Cliquez sur l'onglet **Utilities**.

4. Choisissez les utilitaires que vous voulez installer.

5. Cliquez sur le bouton **Install**.

6. L'installation des utilitaires commence. Une fois terminée, il vous sera demandé de redémarrer.

7. Cliquez sur le bouton **OK** pour terminer.

8. Redémarrez votre ordinateur.

Содержание

Безопасное использование продукции	2
Технические характеристики	3
Задняя панель ввода/ вывода	8
Таблица состояния индикатора порта LAN	8
Конфигурация портов Аудио.....	8
Обзор компонентов	10
Процессорный сокет.....	11
Слоты DIMM	12
PCI_E1~6, PCI1: Слоты расширения PCIe/ PCI.....	13
SATA1~6: Разъемы SATA 6 Гб/с.....	15
SE1_21: Разъем SATAe.....	15
M2_1: Разъем M.2.....	16
JPWR1~2: Разъемы питания	17
JFP1, JFP2: Разъемы передней панели	18
JAUD1: Разъем аудио передней панели.....	18
JTPM1: Разъем модуля TPM.....	18
JUSB3: Разъем USB 3.1 Gen1	19
JUSB1~2: Разъемы USB 2.0.....	19
CPUFAN1~2, SYSFAN1~3: Разъемы вентиляторов.....	20
JCI1: Разъем датчика открытия корпуса.....	21
JBAT1: Джампер очистки данных CMOS (Сброс BIOS).....	22
EZ Debug LED: Индикатор отладки	22
Настройка BIOS	23
Вход в настройки BIOS.....	23
Сброс BIOS.....	24
Обновление BIOS	24
Режим EZ.....	25
Режим разгона	27
Меню ОС.....	28
Описание программного обеспечения	36
Установка Windows® 7/ 8.1/ 10	36
Установка драйверов	36
Установка утилит	36

Безопасное использование продукции

- Компоненты, входящие в комплект поставки могут быть повреждены статическим электричеством. Для успешной сборки компьютера, пожалуйста, следуйте указаниям ниже.
- Убедитесь, что все компоненты компьютера подключены должным образом. Ослабленные соединения компонентов могут привести как к сбоям в работе, так и полной неработоспособности компьютера.
- Чтобы избежать повреждений компонентов платы всегда держите ее за края.
- При сборке компьютера рекомендуется пользоваться электростатическим браслетом. В случае, если это невозможно, перед работой с платой снимите электростатический заряд со своего тела, прикоснувшись к металлическому предмету.
- В случае, если материнская плата не установлена в корпус, храните ее в антистатической упаковке или на антистатическом коврике.
- Перед включением компьютера убедитесь, что все винты крепления и другие металлические компоненты на материнской плате и внутри корпуса надежно зафиксированы.
- Не включайте компьютер, если сборка не завершена. Это может привести к повреждению компонентов, а также травмированию пользователя.
- Если вам нужна помощь на любом этапе сборки компьютера, пожалуйста, обратитесь к сертифицированному компьютерному специалисту.
- Всегда выключайте питание и отсоединяйте шнур питания от электрической розетки перед установкой или удалением любого компонента компьютера.
- Сохраните это руководство для справки.
- Не допускайте воздействия на материнскую плату высокой влажности.
- Перед тем как подключить блок питания компьютера к электрической розетке убедитесь, что напряжение электросети соответствует напряжению, указанному на блоке питания.
- Располагайте шнур питания так, чтобы на него не могли наступить люди. Не ставьте на шнур питания никаких предметов.
- Необходимо учитывать все предостережения и предупреждения, указанные на материнской плате.
- При возникновении любой из перечисленных ниже ситуаций обратитесь в сервисный центр для проверки материнской платы:
 - ▶ Попадание жидкости внутрь компьютера.
 - ▶ Материнская плата подверглась воздействию влаги.
 - ▶ Материнская плата не работает должным образом или невозможно наладить ее работу в соответствии с руководством пользователя.
 - ▶ Материнская плата получила повреждения при падении.
 - ▶ Материнская плата имеет явные признаки повреждения.
- Не храните материнскую плату в местах с температурой выше 60 °C (140 °F), так как это может привести к ее повреждению.

Технические характеристики

Процессор	Поддержка процессоров Intel® Core™ i3/i5/i7, Intel® Pentium® и Celeron® 6-го поколения для сокета LGA1151
Чипсет	Intel® Z170
Память	<ul style="list-style-type: none"> • 4x DDR4 слота памяти с поддержкой до 64 ГБ <ul style="list-style-type: none"> ▶ Поддержка DDR4 3600(OC)/ 3200(OC)/ 3000(OC)/ 2800(OC)/ 2600(OC)/ 2400/ 2133 МГц • Двухканальная архитектура памяти • Поддержка ЕСС, небуферизованной памяти • Поддержка Intel® Extreme Memory Profile (XMP)
Слоты расширения	<ul style="list-style-type: none"> • 3x слота PCIe 3.0 x16 (поддержка режимов x16/x0/x4 or x8/x8/x4) • 3x слота PCIe 3.0 x1 • 1x слот PCI
Встроенная графика	<ul style="list-style-type: none"> • 1x порт HDMI™, с поддержкой максимального разрешения 4096x2160@24Гц, 2560x1600@60Гц • 1x порт DVI-D, с поддержкой максимального разрешения 1920x1200@60Гц
Поддержка Multi-GPU	<ul style="list-style-type: none"> • Поддержка Технологии 3-Way AMD® CrossFire™ • Поддержка Технологии 2-Way NVIDIA® SLI™
Подключение накопителей	<p>Чипсет Intel® Z170</p> <ul style="list-style-type: none"> • 6x портов SATA 6 Гб/с* (2 порта зарезервированы для порта SATA Express) • 1x разъем M.2* <ul style="list-style-type: none"> ▶ Поддержка стандартов PCIe 3.0 x4 и SATA 6 Гб/с, карт M.2 SSD, длиной 4.2/ 6/ 8 см ▶ Поддержка PCIe 3.0 x4 NVMe Mini-SAS SSD с Turbo U.2 хост-картой** • 1x порт SATAe (PCIe 3.0 x2)*** • Поддержка Технологии Intel® Smart Response для процессоров Intel Core™ <p>* Порты SATA5 и SATA6 будут недоступны при установке модуля M.2 в разъем M.2. ** Turbo U.2 хост-карта не входит в комплект поставки и приобретается отдельно. *** Порт SATAe обратно совместим с SATA. Порты SATA и SATAe максимально поддерживают 6x SATAs или 1x SATAe + 4x SATAs.</p>
RAID	<p>Чипсет Intel® Z170</p> <ul style="list-style-type: none"> • Поддерживает RAID 0, RAID 1, RAID 5 и RAID 10 для устройств хранения данных SATA

Продолжение на следующей странице

Продолжение с предыдущей страницы

USB	<ul style="list-style-type: none">• Чипсет ASMedia® ASM1142 (Z170A KRAIT GAMING)<ul style="list-style-type: none">▶ 2x порта USB 3.1 Gen2 (SuperSpeed USB 10 Гбит) на задней панели• Чипсет Intel® Z170<ul style="list-style-type: none">▶ 6x портов USB 3.1 Gen1 (SuperSpeed USB) (4 порта на задней панели, 2 порта доступны через внутренние USB 3.1 Gen1 разъемы)▶ 6x портов USB 2.0 (High-speed USB) (2 порта на задней панели, 4 порта доступны через внутренние USB 2.0 разъемы) (Z170A KRAIT GAMING)▶ 8x портов USB 2.0 (High-speed USB) (4 порта на задней панели, 4 порта доступны через внутренние USB 2.0 разъемы) (Z170 KRAIT GAMING)
Аудио	<ul style="list-style-type: none">• Realtek® ALC1150 Codec• 7.1-канальный High Definition Audio• Выход S/PDIF
LAN	1x Гигабитный сетевой контроллер Intel® I219-V
Разъемы задней панели	<ul style="list-style-type: none">• 1x порт PS/2 клавиатура/ мышь• 2x порта USB 2.0 (Z170A KRAIT GAMING)• 4x порта USB 2.0 (Z170 KRAIT GAMING)• 1x порт DVI-D• 2x порта USB 3.1 Gen2 (Z170A KRAIT GAMING)• 4x порта USB 3.1 Gen1• 1x порт HDMI™• 1x порт LAN (RJ45)• 1x оптический разъем S/PDIF ВЫХОД• 5x аудиоразъемов OFC

Продолжение на следующей странице

Продолжение с предыдущей страницы

Разъемы на плате	<ul style="list-style-type: none">• 1x 24-контактный разъем питания ATX• 1x 8-контактный разъем питания ATX 12B• 6x разъемов SATA 6 Гб/с• 1x разъем SATAe• 2x разъема USB 2.0 (Поддержка 4-х дополнительных портов USB 2.0)• 1x разъем USB 3.1 Gen1 (Поддержка 2-х дополнительных портов USB 3.1)• 2x 4-контактных разъема вентилятора процессора• 3x 4-контактных разъема вентилятора системы• 1x аудиоразъем передней панели• 2x разъема передней панели• 1x разъем модуля TPM• 1x разъем датчика открытия корпуса• 1x джампер очистки данных CMOS
Контроллер ввода-вывода	NUVOTON NCT6793
Аппаратный мониторинг	<ul style="list-style-type: none">• Определение температуры процессора/системы• Определение скорости вентиляторов процессора/системы• Управление скоростью вентиляторов процессора/системы
Форм-фактор	<ul style="list-style-type: none">• ATX Форм-фактор• 12 x 9.25 дюйма (30.5 x 23.4 см)
Параметры BIOS	<ul style="list-style-type: none">• 1x 128 Мб флэш• UEFI AMI BIOS• ACPI 5.0, PnP 1.0a, SM BIOS 2.8• Мультиязычный интерфейс

Продолжение на следующей странице

Продолжение с предыдущей страницы

Программное обеспечение	<ul style="list-style-type: none">• Драйверы• COMMAND CENTER• LIVE UPDATE 6• FAST BOOT• SUPER CHARGER• GAMING APP• M-CLOUD• RAMDISK• GAMING LAN MANAGER• Open Broadcaster Software• Intel® Extreme Tuning Utility• Norton™ Security• Google Chrome™, Google Toolbar, Google Drive• SteelSeries Engine 3• CPU-Z
Функции GAMING для производительности	<ul style="list-style-type: none">• AUDIO BOOST 3<ul style="list-style-type: none">▶ Изолированная плата аудио▶ Защита от электромагнитных помех▶ Сдвоенный усилитель наушников▶ Высококачественные аудио конденсаторы▶ Позолоченные разъемы аудио• GAME BOOST<ul style="list-style-type: none">▶ Легкий разгон• GAMING LAN<ul style="list-style-type: none">▶ Intel I219-V Gigabit Ethernet▶ MSI Network Manager▶ Electric Wave Surge• GAMING APP<ul style="list-style-type: none">▶ Переключение режима работы системы: OC/ Gaming/Silent▶ Gaming Hotkey▶ Gaming Mouse Master• GAMING CERTIFIED• Откройте приложение Broadcaster<ul style="list-style-type: none">▶ Используемые кодеки H264 (x264) и AAC.▶ Поддержка Intel Quick Sync Video (QSV) и NVENC.▶ Неограниченное количество сцен и источников.▶ Поточная передача RTMP на Twitch, YouTube, DailyMotion, Hitbox и др.

Продолжение на следующей странице

<p>MSI Эксклюзивные функции</p>	<ul style="list-style-type: none"> ● CLICK BIOS 5 <ul style="list-style-type: none"> ▶ Режим EZ и расширенный режим ▶ Board Explorer ▶ Аппаратный мониторинг ● MILITARY CLASS 5 <ul style="list-style-type: none"> ▶ Компоненты Military Class ▶ Стабильность и надежность в соответствии с военными стандартами Military Class <ul style="list-style-type: none"> - Защита от электростатических разрядов - Защита от электромагнитных помех - Защита от влажности - Защита от замыканий - Защита от высокой температуры - Слоты Steel Armor PCIe ● COMMAND CENTER <ul style="list-style-type: none"> ▶ Мониторинг системы ▶ Интеллектуальное управление скоростью вращения вентиляторов ● RAMDISK ● LIVE UPDATE 6 ● M-CLOUD ● CPU-Z ● EZ Debug LED
<p>Мелирование характеристики</p>	<ul style="list-style-type: none"> ● Поддержка DDR4 Boost <ul style="list-style-type: none"> ▶ Поддержка двухканальной памяти DDR4 ▶ Изолированные электрические цепи DDR4 ▶ DDR4 XMP Ready ● Поддержка PCI Express 3.0 <ul style="list-style-type: none"> ▶ Поддержка 2-Way Nvidia SLI™ ▶ Поддержка 3-Way AMD CrossFire™ ● USB 3.1 Gen2 Ready (Z170A KRAIT GAMING) <ul style="list-style-type: none"> ▶ USB 3.1 Gen2 (10 Гб/с) Type-A Ready ● Turbo M.2 Ready <ul style="list-style-type: none"> ▶ Поддержка PCIe 3.0 x4 (32 Гб/с) ▶ Поддержка двойного режима PCIe/ SATA ● Поддержка SATA Express ● Поддержка драйвера NVMe / AHCI ● Поддержка U.2 (опционально)

Задняя панель ввода/ вывода

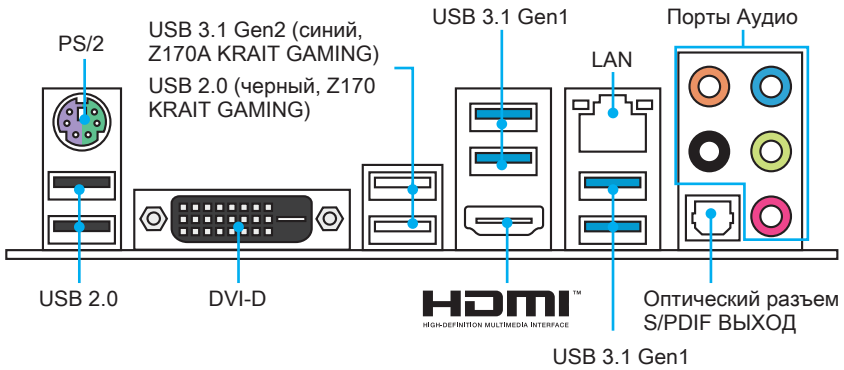


Таблица состояния индикатора порта LAN

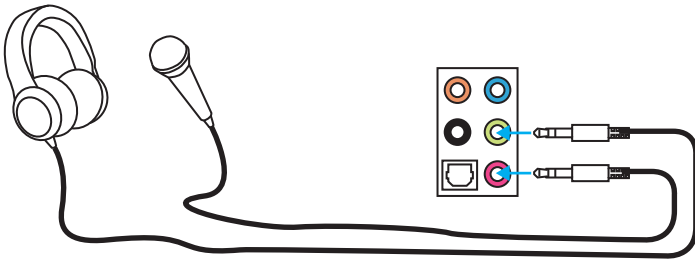
Подключение/ Работа индикатора		Скорость передачи данных								
Состояние	Описание									
Выкл.	Не подключен	<table border="1"> <thead> <tr> <th>Состояние</th> <th>Описание</th> </tr> </thead> <tbody> <tr> <td>Выкл.</td> <td>10 Мбит/с подключение</td> </tr> <tr> <td>Зеленый</td> <td>100 Мбит/с подключение</td> </tr> <tr> <td>Оранжевый</td> <td>1 Гбит/с подключение</td> </tr> </tbody> </table>	Состояние	Описание	Выкл.	10 Мбит/с подключение	Зеленый	100 Мбит/с подключение	Оранжевый	1 Гбит/с подключение
Состояние	Описание									
Выкл.	10 Мбит/с подключение									
Зеленый	100 Мбит/с подключение									
Оранжевый	1 Гбит/с подключение									
Желтый	Подключен									
Мигает	Передача данных									

Конфигурация портов Аудио

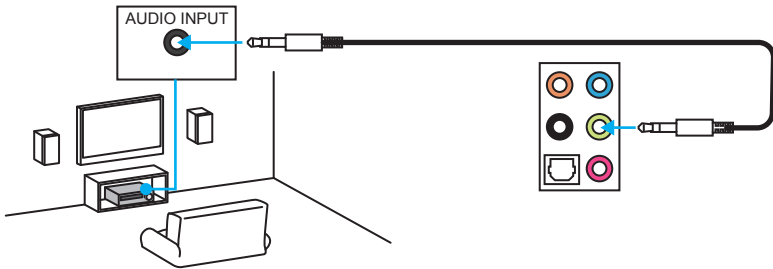
Порты Аудио	Канал			
	2	4	6	8
Выход центральной колонки/ сабвуфера			•	•
Тыловые колонки		•	•	•
Линейный вход/ Выход боковых колонок				•
Линейный выход/ Выход фронтальных колонок	•	•	•	•
Микрофонный вход				

(•: подключен, пусто: не подключен)

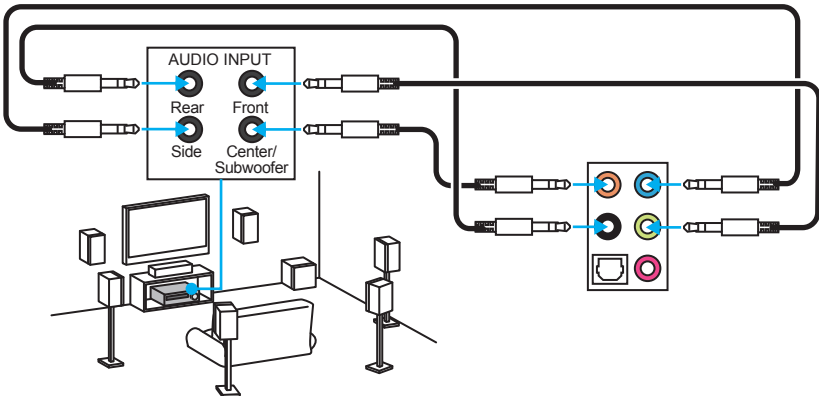
Подключение наушников и микрофона



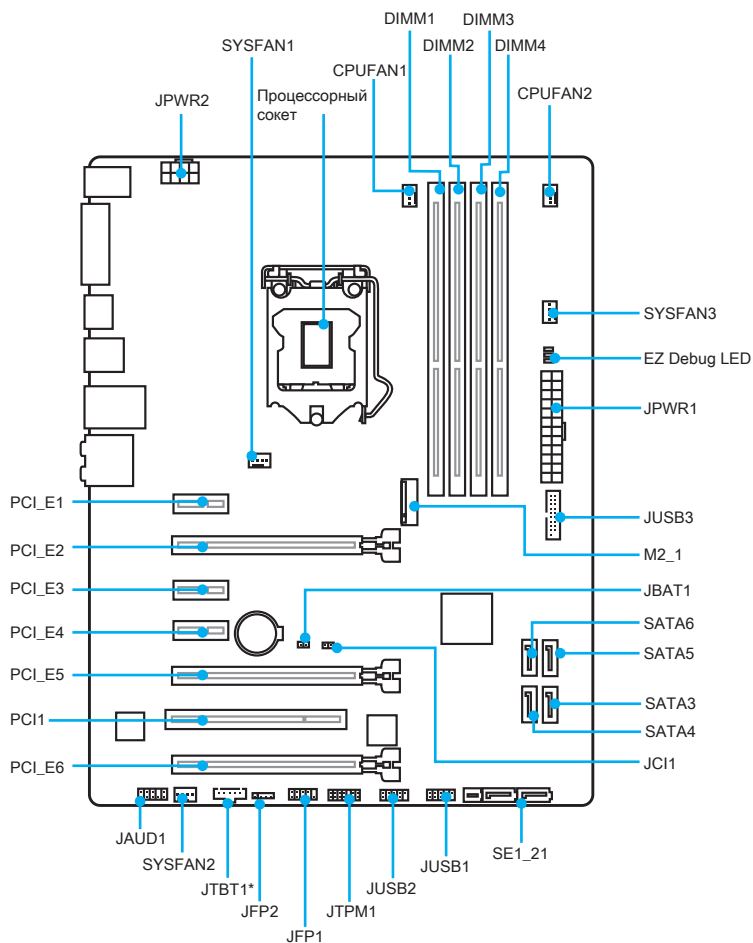
Подключение внешнего стерео усилителя (колонок)



Подключение звуковой системы 7.1

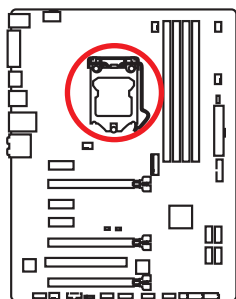


Обзор компонентов



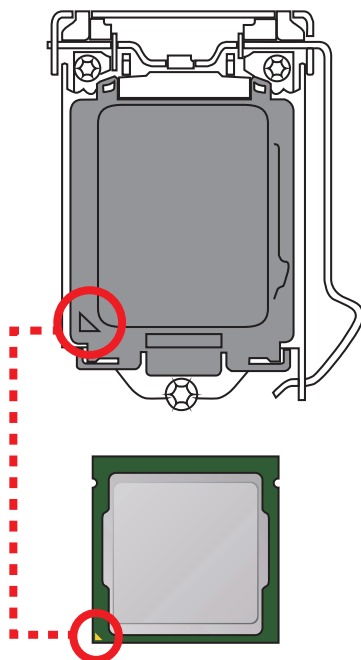
* JTBT1 используется для подключения специальной карты.

Процессорный socket



Процессор LGA 1151

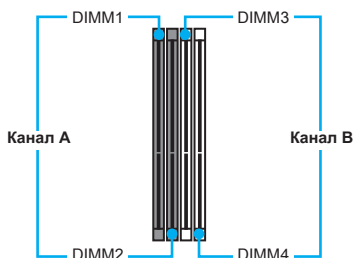
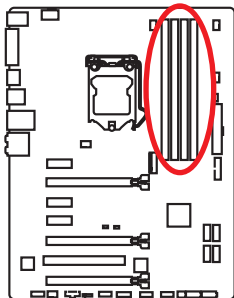
На поверхности процессора LGA 1151 имеются два **ключа** совмещения и **золотой треугольник** для правильной установки процессора относительно процессорного сокета материнской платы. Золотой треугольник указывает на контакт 1.



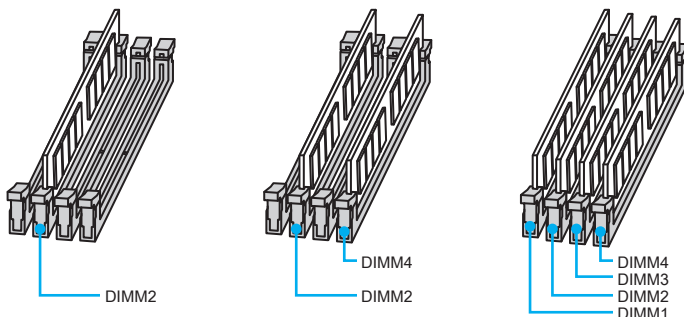
Внимание!

- **ВНИМАНИЕ!** Перед установкой или заменой процессора, необходимо отключить кабель питания.
- Пожалуйста, сохраните защитную крышку процессорного сокета после установки процессора. Любые возможные гарантийные случаи, связанные с работой материнской платы, MSI будет рассматривать только, при наличии защитной крышки на процессорном сокете.
- При установке процессора обязательно установите процессорный кулер. Кулер, представляющий собой систему охлаждения процессора, предупреждает перегрев и обеспечивает стабильную работу системы.
- Перед включением системы проверьте герметичность соединения между процессором и радиатором.
- Перегрев может привести к серьезному повреждению процессора и материнской платы. Всегда проверяйте работоспособность вентилятора для защиты процессора от перегрева. При установке кулера нанесите ровный слой термопасты (или термопенту) на крышку установленного процессора для улучшения теплопередачи.
- Если процессор не установлен, всегда защищайте контакты процессорного сокета пластиковой крышкой.
- Если вы приобрели отдельно процессор и процессорный кулер, подробное описание установки см. в документации в данному кулеру.
- Данная системная плата разработана с учетом возможности ее «разгона». Перед выполнением разгона системы убедитесь в том, что все компоненты системы смогут его выдержать. Производитель не рекомендует использовать параметры, выходящие за пределы технических характеристик устройств. Гарантия MSI® не распространяется на повреждения и другие возможные последствия ненадлежащей эксплуатации оборудования.

Слоты DIMM



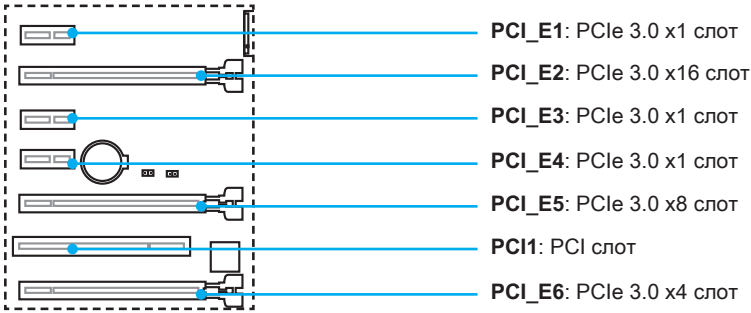
Рекомендации по установке модулей памяти



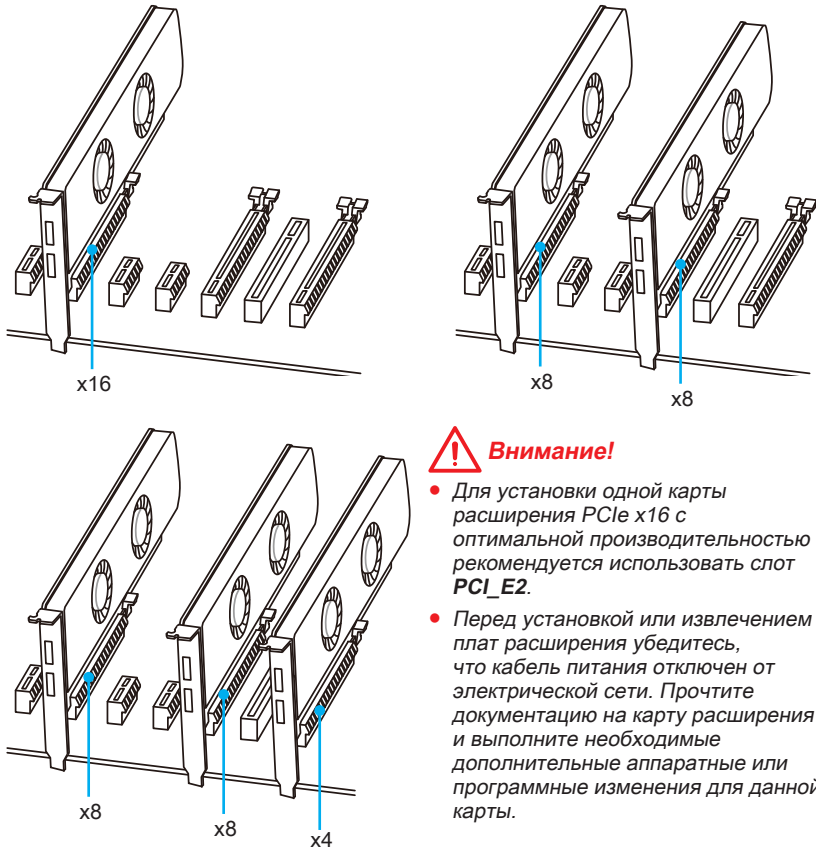
Внимание!

- Всегда устанавливайте модуль памяти сначала в слот **DIMM2**.
- В связи со спецификой использования ресурсов чипсета, доступный объем памяти будет немного меньше, чем объем установленный.
- На основе характеристик процессора, рекомендуется устанавливать напряжение на памяти DIMM менее 1.35 В. Это позволит защитить процессор.
- Пожалуйста, обратите внимание на то, что максимальная емкость адресуемой памяти для 32-бит ОС Windows, составляет не более 4 ГБ. Если вы хотите использовать более 4ГБ оперативной памяти на материнской плате, рекомендуется устанавливать 64-бит ОС Windows.
- Некоторые модули памяти при разгоне могут работать на частотах ниже заявленной производителем, поскольку выставляемая для памяти частота зависит от информации, записанной в SPD (Serial Presence Detect). Зайдите в BIOS и выберите опцию **Memory Try It!**, чтобы установить заявленную или более высокую частоту.
- При установке памяти во все слоты, а также при ее разгоне, рекомендуется использовать более эффективную систему охлаждения памяти.
- Совместимость и стабильность работы установленного модуля памяти при разгоне зависит от установленного процессора и других устройств.

PCI_E1~6, PCI1: Слоты расширения PCIe/ PCI



Рекомендации по установке нескольких видеокарт

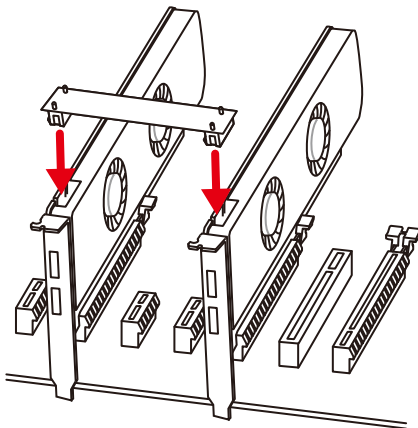


Установка видеокарт в режиме SLI

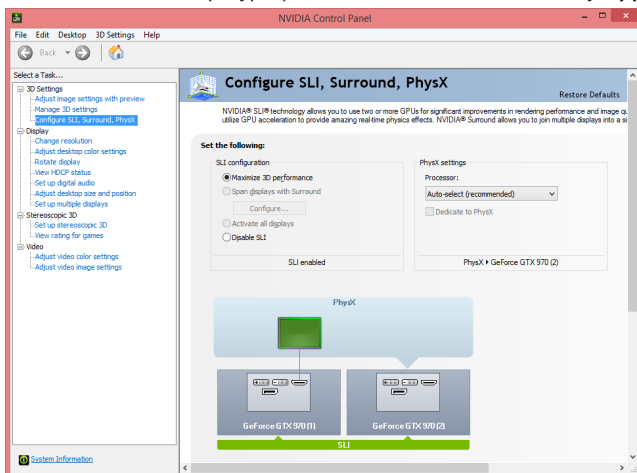
Для выполнения рекомендаций по питанию в SLI конфигурациях, пожалуйста, обратитесь к руководству пользователя вашей видеокарты, чтобы убедиться, что видеокарта соответствует всем требованиям системы.

Для установки видеокарт в SLI:

1. Выключите компьютер и отсоедините шнур питания. Установите две видеокарты в слот **PCI_E2** и **PCI_E5**.
2. Соедините видеокарты разъемом **SLI Bridge**.

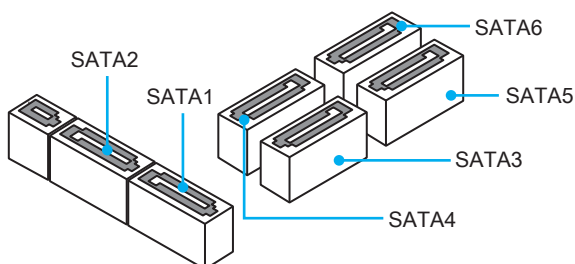
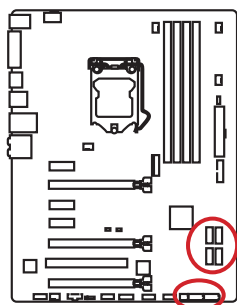


3. Подключите все разъемы питания PCIe видеокарт.
4. Подключите кабель питания, включите компьютер, установите драйверы и программное обеспечение из комплекта поставки видеокарты.
5. Щелкните правой кнопкой мыши на Рабочем столе Windows и выберите **NVIDIA Control Panel** из раскрывшегося меню. Нажмите на **Configure SLI, Surround, PhysX** в левой панели задач и выберите **Maximize 3D performance** в меню конфигурации SLI, а затем нажмите кнопку **Apply**.



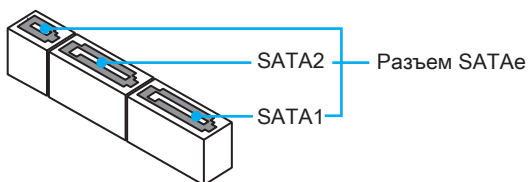
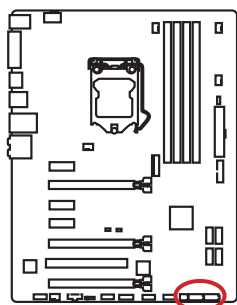
SATA1~6: Разъемы SATA 6 Гб/с

Эти разъемы представляют собой интерфейсные порты SATA 6 Гб/с. К каждому порту можно подключить одно устройство SATA.



SE1_21: Разъем SATAe

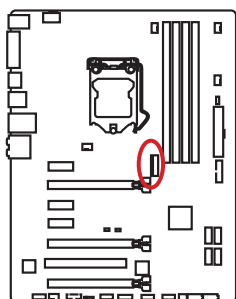
Этот разъем представляет собой порт интерфейса SATAe (SATA Express). К каждому порту можно подключить одно устройство SATAe или два устаревших устройства SATA.



Внимание!

- Порты SATA5~6 будут недоступны при установке модуля M.2 в разъем M.2.
- Избегайте перегибов кабеля SATA или SATAe под прямым углом. В противном случае, возможна потеря данных при передаче.
- Кабель SATA оснащен одинаковыми коннекторами с обеих сторон. Однако, для экономии занимаемого пространства к материнской плате рекомендуется подключать плоский разъем.

M2_1: Разъем M.2



Внимание!

- Порты SATA5–6 будут недоступны при установке модуля M.2 в разъем M.2.
- Intel® RST поддерживает только PCIe M.2 SSD с UEFI ROM, и не поддерживает Legacy ROM.



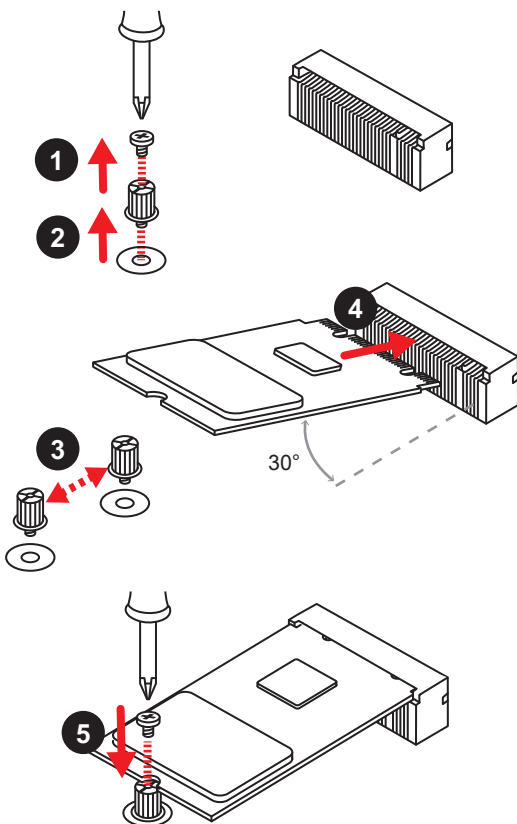
Видео Инструкция

Смотрите видео, чтобы узнать как установить модуль M.2.

<http://youtu.be/JCTFABytrYA>

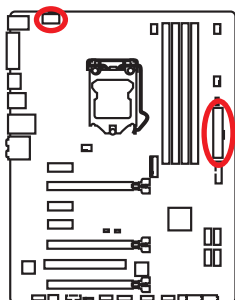
Установка модуля M.2

1. Выкрутите винт из базового винта.
2. Выкрутите базовый винт.
3. Закрутите базовый винт в отверстие, на расстоянии, соответствующем длине вашего модуля M.2.
4. Вставьте модуль M.2 в разъем M.2 под углом 30 градусов.
5. Совместите винт с выемкой на задней кромке модуля M.2 и закрутите его в базовом винте.



JPWR1~2: Разъемы питания

Данные разъемы предназначены для подключения коннекторов питания АТХ.



JPWR2			
1	Ground	5	+12V
2	Ground	6	+12V
3	Ground	7	+12V
4	Ground	8	+12V

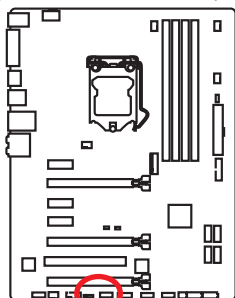
JPWR1			
1	+3.3V	13	+3.3V
2	+3.3V	14	-12V
3	Ground	15	Ground
4	+5V	16	PS-ON#
5	Ground	17	Ground
6	+5V	18	Ground
7	Ground	19	Ground
8	PWR OK	20	Res
9	5VSB	21	+5V
10	+12V	22	+5V
11	+12V	23	+5V
12	+3.3V	24	Ground

Внимание!

Для обеспечения стабильной работы системной платы проверьте надежность подключения всех кабелей питания к блоку питания АТХ.

JFP1, JFP2: Разъемы передней панели

Эти разъемы служат для подключения кнопок и светодиодных индикаторов, расположенных на передней панели.

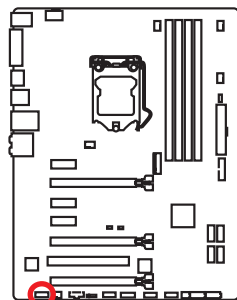


1	HDD LED +	2	Power LED +
3	HDD LED -	4	Power LED -
5	Reset Switch	6	Power Switch
7	Reset Switch	8	Power Switch
9	Reserved	10	No Pin

1	Speaker -	2	Buzzer +
3	Buzzer -	4	Speaker +

JAUD1: Разъем аудио передней панели

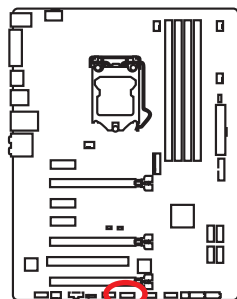
Данный разъем предназначен для подключения аудиоразъемов передней панели.



1	MIC L	2	Ground
3	MIC R	4	NC
5	Head Phone R	6	MIC Detection
7	SENSE_SEND	8	No Pin
9	Head Phone L	10	Head Phone Detection

JTPM1: Разъем модуля TPM

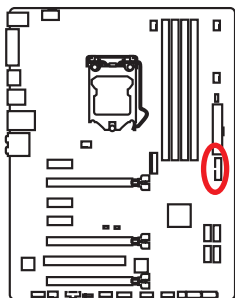
Данный разъем используется для подключения модуля TPM (Trusted Platform Module). Дополнительные сведения см. в описании модуля TPM.



1	LPC Clock	2	3V Standby power
3	LPC Reset	4	3.3V Power
5	LPC address & data pin0	6	Serial IRQ
7	LPC address & data pin1	8	5V Power
9	LPC address & data pin2	10	No Pin
11	LPC address & data pin3	12	Ground
13	LPC Frame	14	Ground

JUSB3: Разъем USB 3.1 Gen1

Данный разъем предназначен для подключения портов USB 3.1 Gen1 на передней панели.



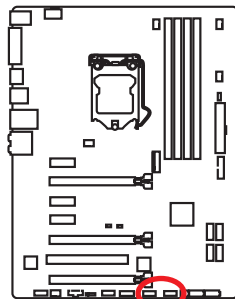
1	Power	11	USB2.0+
2	USB3_RX_DN	12	USB2.0-
3	USB3_RX_DP	13	Ground
4	Ground	14	USB3_TX_C_DP
5	USB3_TX_C_DN	15	USB3_TX_C_DN
6	USB3_TX_C_DP	16	Ground
7	Ground	17	USB3_RX_DP
8	USB2.0-	18	USB3_RX_DN
9	USB2.0+	19	Power
10	Ground	20	No Pin

Внимание!

Помните, что во избежание повреждений необходимо правильно подключать контакты питания и земли.

JUSB1~2: Разъемы USB 2.0

Данные разъемы предназначены для подключения портов USB 2.0 на передней панели.



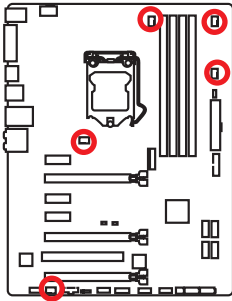
1	VCC	2	VCC
3	USB0-	4	USB1-
5	USB0+	6	USB1+
7	Ground	8	Ground
9	No Pin	10	NC

Внимание!


- Помните, что во избежание повреждений необходимо правильно подключать контакты VCC и Ground.
- Для того, чтобы зарядить ваш iPad, iPhone и iPod портами USB, пожалуйста, установите утилиту MSI® SUPER CHARGER.

CPUFAN1~2, SYSFAN1~3: Разъемы вентиляторов



Разъемы вентиляторов можно разделить на два типа: с PWM (PulseWidth Modulation) управлением и управлением постоянным током. Разъемы вентиляторов с PWM управлением имеют контакт с постоянным напряжением 12В, а также контакт с сигналом управления скоростью вращения. Управление скоростью вращения вентиляторов с управлением постоянным током, осуществляется через соответствующие разъемы путем изменения величины напряжения. Поэтому, при подключении 3-х контактного (Non-PWM) вентилятора к разъему для вентилятора PWM, скорость вентилятора всегда будет максимальной. Работа такого вентилятора может оказаться достаточно шумной.



Разъем вентилятора с PWM управлением

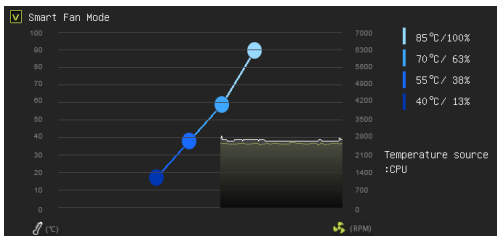
 1 CPUFAN1/ CPUFAN2			
1	Ground	2	+12V
3	Sense	4	Speed Control Signal

Разъем вентилятора режима напряжения

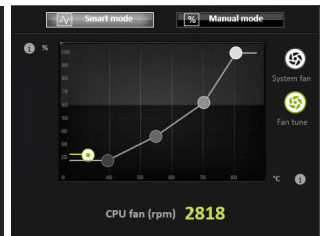
 1 SYSFAN3		 1 SYSFAN1/ SYSFAN2	
1	Ground	2	Voltage Control
3	Sense	4	NC

Управление скоростью вентилятора

Существуют два способа управления скоростью вращения вентилятора. С помощью настроек **BIOS > HARDWARE MONITOR**, и с помощью приложения **COMMAND CENTER**.



BIOS > HARDWARE MONITOR

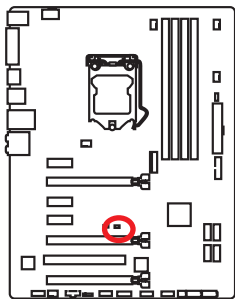


COMMAND CENTER

Оба способа позволяют путем изменения положения градиентных точек, регулировать скорость вращения вентилятора в зависимости от температуры процессора.

JCI1: Разъем датчика открытия корпуса

К этому разъему подключается кабель от датчика открытия корпуса.



Нормально
(По умолчанию)



Разрешить запись
по событию
открытия корпуса

Использование датчика открытия корпуса

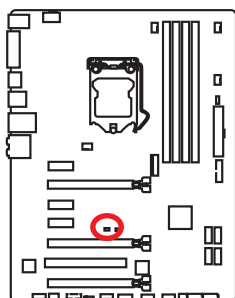
1. Подключите датчик открытия корпуса к разъему **JCI1**.
2. Закройте крышку корпуса.
3. Войдите в **BIOS > Settings > Security > Chassis Intrusion Configuration**.
4. Установите **Chassis Intrusion** на **Enabled**.
5. Нажмите клавишу **F10**, чтобы сохранить настройки и выйти, а затем нажмите клавишу **Enter**, чтобы выбрать **Yes**.
6. При открытии корпуса на экране будет появляться предупреждающее сообщение каждый раз при включении компьютера.

Сброс сообщения об открытии корпуса

1. Войдите в **BIOS > Settings > Security > Chassis Intrusion Configuration**.
2. Выберите **Chassis Intrusion, Reset**.
3. Нажмите клавишу **F10**, чтобы сохранить изменения и выйти, а затем нажмите клавишу **Enter**, чтобы выбрать **Yes**.

JBAT1: Джемпер очистки данных CMOS (Сброс BIOS)

На плате установлена CMOS память с питанием от батарейки для хранения данных о конфигурации системы. Для сброса конфигурации системы (очистки данных CMOS памяти), воспользуйтесь этим джемпером.



Сохранение
данных
(По умолчанию)



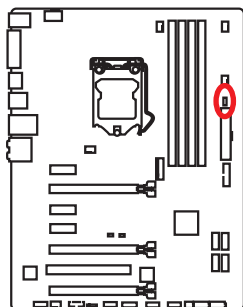
Очистка
данных/ Сброс
BIOS

Сброс настроек BIOS до значений по умолчанию

1. Выключите компьютер и отключите его от электрической розетки.
2. Используйте джемпер, чтобы замкнуть соответствующие контакты JBAT1 в течение 5-10 секунд.
3. Снимите джемпер с контактов JBAT1.
4. Подключите компьютер к электрической сети и включите питание.

EZ Debug LED: Индикатор отладки

Индикатор сигнализирует о неисправностях на материнской плате.



CPU - указывает, что процессор не обнаружен или поврежден.

DRAM - указывает, что память DRAM не обнаружена или повреждена.

VGA - указывает, что видеокарта не обнаружена или повреждена.

Настройка BIOS

Настройки по умолчанию обеспечивают оптимальную производительность и стабильность системы при нормальных условиях. Если вы недостаточно хорошо знакомы с BIOS, **всегда устанавливайте настройки по умолчанию**. Это позволит избежать возможных повреждений системы, а также проблем с загрузкой.

Внимание!

- С целью улучшения производительности, меню BIOS постоянно обновляется. В связи с этим данное описание может немного отличаться от последней версии BIOS и может использоваться в качестве справки. Для описания какого либо пункта меню настроек BIOS, вы можете обратиться к информационной панели **помощи**.
- Изображения в этой главе приведены исключительно в справочных целях и могут отличаться от фактических.

Вход в настройки BIOS

Ниже представлены методы входа в настройки BIOS.

- Нажмите клавишу **Delete**, когда появляется сообщение на экране **Press DEL key to enter Setup Menu, F11 to enter Boot Menu** во время загрузки.
- При помощи приложения **MSI FAST BOOT**. Нажмите на кнопку **GO2BIOS** и выберите **OK**. Система перезагрузится и автоматически войдет в настройки BIOS.



Нажмите на кнопку
GO2BIOS

- Включить пункт **GO2BIOS (SETTING > Boot > GO2BIOS)** в настройках BIOS **Advanced mode (F7)**. Этот пункт позволяет системе войти в настройки BIOS путем нажатия и удержания кнопки питания в течение 4-х секунд во время загрузки.

Функциональные клавиши

Клавиша	Функция	Клавиша	Функция
F1	Общая справка	F3	Вход в меню Избранное
F4	Вход в меню технических параметров процессора	F5	Вход в меню Memory-Z
F6	Загрузить оптимизированные настройки по умолчанию	F8	Загрузить профиль разгона
F9	Сохранить профиль разгона	F10	Сохранение изменений и перезагрузка*

* При нажатии клавиши F10 появится информационное окно. Выберите **Yes** или **No**, чтобы подтвердить выбор.

Сброс BIOS

В некоторых ситуациях необходимо выполнить восстановление настроек BIOS до значений по умолчанию. Существует несколько способов сброса настроек:

- Войдите в BIOS и нажмите клавишу **F6** для загрузки оптимизированных значений по умолчанию.
- Замкните джампер **Clear CMOS** на материнской плате.
- Нажмите кнопку **Clear CMOS** на задней панели ввода/ вывода. (Только для материнских плат с кнопкой очистки данных CMOS.)

Обновление BIOS

Обновление BIOS при помощи M-FLASH

Подготовительные операции:

Пожалуйста, скачайте последнюю версию файла BIOS с сайта MSI, который соответствует вашей модели материнской платы. Сохраните файл BIOS в флэш-диске USB.

Обновление BIOS:


1. Нажмите клавишу **Del** для входа в настройки BIOS во время процедуры POST.
2. Вставьте флэш-диск USB, содержащий файл обновления в компьютер.
3. Выберите вкладку **M-FLASH** и нажмите на кнопку **Yes** для перезагрузки системы и входа в режим обновления.
4. Выберите файл BIOS для выполнения процесса обновления BIOS.
5. После завершения процесса обновления, система перезагрузится автоматически.

Обновление BIOS при помощи Live Update 6

Перед обновлением:

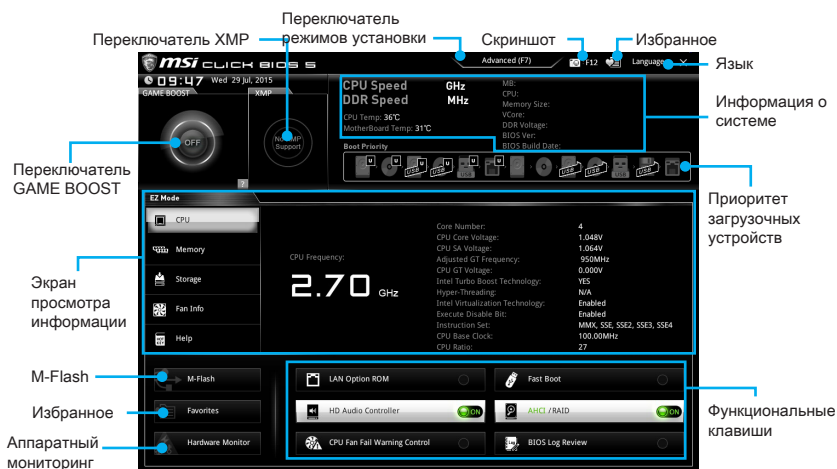
Убедитесь, что драйвер локальной сети уже установлен и подключение к интернету установлено.

Обновление BIOS:

1. Установите и запустите MSI LIVE UPDATE 6.
2. Выберите **Manual scan**.
3. Поставьте галочку в поле **MB BIOS** и нажмите на кнопку **Scan**.
4. Выберите **MB BIOS** и нажмите на значок  , чтобы загрузить и установить последнюю версию файла BIOS.
5. Нажмите кнопку **Next** и выберите **In Windows mode**. И затем нажмите кнопку **Next** и **Start** для запуска обновления BIOS.
6. По завершению процесса обновления, система перезагрузится автоматически.

Режим EZ

Режим EZ представляет основную информацию о системе и позволяет выполнить основные операции по настройке. Для настройки расширенных функций BIOS, пожалуйста, войдите в Расширенный режим, путем нажатия **Переключатель режимов установки** или функциональной клавиши **F7**.



- **Функциональные клавиши** - включают или выключают **LAN Option ROM**, **Fast Boot**, **HD audio controller**, **AHCI, RAID**, **CPU Fan Fail Warning Control** и **BIOS Log Review**, при нажатии на соответствующую кнопку.
- **Аппаратный мониторинг** - нажмите на эту кнопку для отображения меню **аппаратного мониторинга**. Пункт позволяет вручную регулировать скорость вращения вентилятора в процентах.
- **M-Flash** - нажмите на эту кнопку для отображения меню **M-Flash**. Пункт позволяет выбрать способ обновления BIOS при помощи USB флеш накопителя.
- **Информационный экран** - нажмите на кнопку **CPU**, **Memory**, **Storage**, **Fan Info** и **Help** в левой части экрана для отображения соответствующей информации.
- **Приоритет загрузочных устройств** - вы можете переместить иконку устройства для изменения приоритета загрузки. Приоритет загрузки слева направо от высокого к низкому.
- **Информация о системе** - показывает частоту процессора/ DDR, температуру процессора/ материнской платы, информацию о материнской плате/ процессоре, размер памяти, напряжение процессора/ DDR, версию BIOS и дату создания.
- **Язык** - Позволяет выбрать язык интерфейса для настройки BIOS.
- **Скриншот** - нажмите на эту вкладку или клавишу **F12**, чтобы сделать скриншот и сохранить его в флэш-диск USB (только FAT/ FAT32)
- **Переключатель режимов установки** - нажмите эту вкладку или клавишу **F7**, чтобы переключиться между режимами разгона и EZ.

- **Переключатель XMP** - нажмите на соответствующий внутренний значок, чтобы включить/ выключить X.M.P. (Extreme Memory Profile). Для выбора профиля X.M.P. переключите внешний значок. Этот переключатель доступен только в случае, если установлен модуль памяти с поддержкой X.M.P.
- **Переключатель GAME BOOST** - нажмите, чтобы переключить GAME BOOST для ОС.



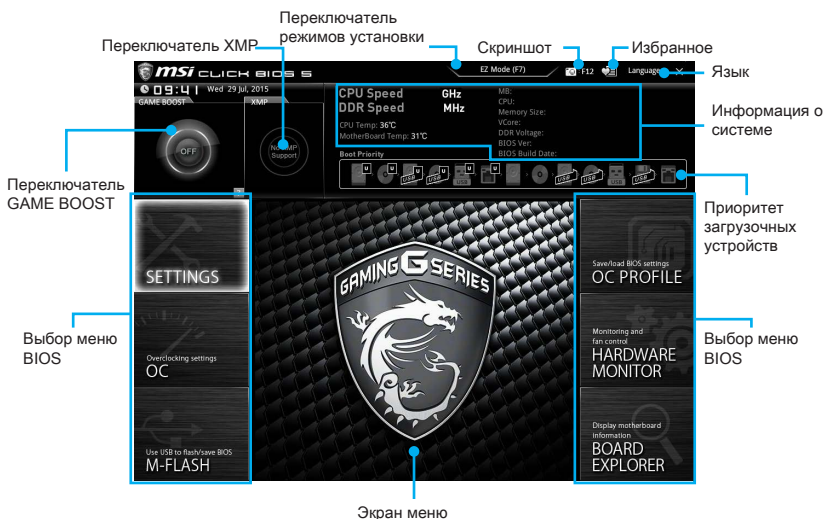
Внимание!

Для сохранения оптимальной производительность и стабильности системы после активации функции GAME BOOST, пожалуйста, не делайте никаких изменений в меню ОС и не загружайте настройки по умолчанию.

- **Избранное** - нажмите любую вкладку **Избранное** или клавишу **F3** для входа в меню **Избранное**. Позволяет создать личное меню BIOS, где вы можете сохранить и получить доступ к вашим любимым и часто используемым настройкам BIOS.
 - ▶ **Главная страница по умолчанию** - позволяет выбрать меню BIOS (например, параметры, ОС..., и т.д.) в качестве главной страницы BIOS.
 - ▶ **Избранное1~5** - позволяет добавлять наиболее часто используемые / любимые пункты настройки BIOS на одну страницу.
 - ▶ **Добавление пункта BIOS в страницу Избранное (избранное 1~5)**
 1. Выберите пункт BIOS в настройках ОС или меню ОС PROFILE.
 2. Щелкните правой кнопкой мыши или нажмите клавишу **F2**.
 3. Выберите любимую страницу и нажмите на кнопку **ОК**.
 - ▶ **Удаление пункта BIOS из страницы Избранное**
 1. Выберите пункт BIOS на странице Избранное (избранное 1~5)
 2. Щелкните правой кнопкой мыши или нажмите клавишу **F2**.
 3. Выберите **Delete** и нажмите на кнопку **ОК**.

Режим разгона

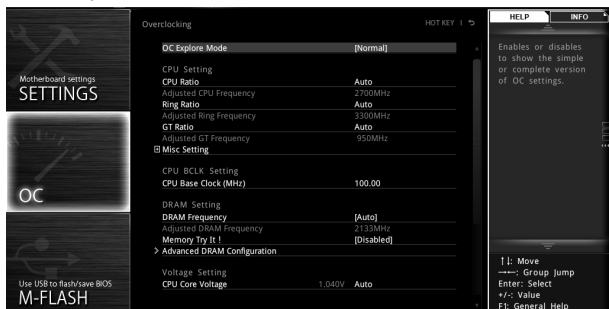
Нажмите **переключатель режимов установки** или функциональную клавишу **F7** для переключения между режимами EZ и разгона в настройки BIOS.



- **Переклю­чател­ь GAME BOOST/ Переклю­чател­ь XMP/ Переклю­чател­ь режимов установки/ Скриншот/ Избранное/ Язык/ Информация о системе/ Приоритет загрузочных устройств** - пожалуйста, обратитесь к разделу Режим EZ.
- **Выбор меню BIOS** - доступны следующие опции:
 - ▶ **SETTINGS** - в данном меню представлены настройки чипсета и загрузочных устройств.
 - ▶ **OC** - данное меню содержит элементы настройки частот и напряжений. Увеличение частоты приводит к увеличению производительности.
 - ▶ **M-FLASH** - позволяет выбрать метод обновления BIOS с USB флэш-диска.
 - ▶ **OC PROFILE** - позволяет управлять профилями разгона.
 - ▶ **HARDWARE MONITOR** - позволяет установить скорость работы вентиляторов и мониторинг напряжений системы.
 - ▶ **BOARD EXPLORER** - предоставляет информации об установленных устройствах на материнской плате.
- **Экран меню** - отображаются настройки BIOS и дополнительная информация.

Меню OC

Данное меню предназначено для опытных пользователей и предоставляет возможности для «разгона» системы.



Внимание!

- Разгонять ПК вручную рекомендуется только опытным пользователям.
- Производитель не гарантирует успешность разгона. Неправильное выполнение разгона может привести к аннулированию гарантии и серьезному повреждению оборудования.
- Неопытным пользователям рекомендуется использовать функцию GAME BOOST.

▶ OC Explore Mode [Normal]

Включение или выключение отображения нормального или экспертного режима настроек разгона.

[Normal] Стандартные параметры разгона в BIOS.

[Expert] Расширенные параметры разгона в BIOS для опытных пользователей разгона.

Примечание: Символом * отмечаются параметры разгона режима Expert.

▶ CPU Ratio Apply Mode [All Core]*

Устанавливает режим применения для множителя CPU. Данный пункт появляется только, если процессор поддерживает **Turbo Boost**.

[All Core] Включает поле **CPU Ratio**. Все процессорные ядра работают с одинаковым множителем CPU, установленным в **CPU Ratio**.

[Per Core] Включает поле **X-Core Ratio Limit**. Позволяет устанавливать множитель процессора CPU core независимо в **X-Core Ratio Limit**.

▶ CPU Ratio [Auto]

Задание множителя процессора для установки его тактовой частоты.

Изменение данного параметра возможно только в том случае, если процессор поддерживает данную функцию.

▶ 1/2/3/4-Core Ratio Limit [Auto]*

Данные опции позволяют настроить множители процессора CPU для различных ядер процессора. Данные пункты доступны, только если процессор поддерживает данную функцию.

► Adjusted CPU Frequency

Показывает текущую частоту процессора. Это значение нельзя изменять.

► CPU Ratio Mode [Dynamic Mode]*

Выбор множителя процессора. Этот пункт появляется при установке множителя процессора вручную.

[Fixed Mode] Фиксирует множитель процессора.

[Dynamic Mode] Множитель процессора будет меняться в зависимости от загрузки процессора.

► Ring Ratio [Auto]

Установка множителя кольцевой шины. Диапазон допустимых значений зависит от установленного процессора.

► Adjusted Ring Frequency

Показывает измененную частоту шины Ring. Это значение нельзя изменять.

► GT Ratio [Auto]

Установка множителя для интегрированной графики. Диапазон допустимых значений зависит от установленного процессора.

► Adjusted GT Frequency

Показывает измененную частоту интегрированной графики. Это значение нельзя изменять.

► Misc Setting*

Нажмите клавишу Enter, + или -, чтобы включить или выключить следующие 3 пункта, связанные с характеристиками процессора.

► EIST [Enabled]*

Включение или выключение технологии Enhanced Intel® SpeedStep.

[Enabled] Включение EIST для регулировки напряжения и частоты ядра процессора. Этот пункт может снизить среднее энергопотребление и тепловыделение.

[Disabled] Выключение EIST.

► Intel Turbo Boost [Enabled]*

Включение или выключение Intel® Turbo Boost. Этот пункт появляется, когда установленный процессор поддерживает данную функцию.

[Enabled] Включение этой функции приводит к автоматическому увеличению производительности процессора.

[Disabled] Функция выключена.

► Enhanced Turbo [Auto]

Функция Enhanced Turbo позволяет увеличивать частоту на всех ядрах процессора.

[Auto] Этот параметр будет настроен автоматически с помощью BIOS.

[Enabled] Увеличение частоты всех процессорных ядер до максимального значения.

[Disabled] Функция выключена.

► CPU Base Clock (MHz) [Default]

Установка базовой тактовой частоты процессора. Изменение этого параметра обеспечивает возможность «разгона» процессора. Обращаем ваше внимание, что успешность разгона и стабильная работа системы при этом не гарантируется. Этот пункт появляется, если установленный процессор поддерживает данную функцию.

► CPU Base Clock Apply Mode [Auto]*

Устанавливает способ применения изменений для заданной базовой частоты процессора.

- [Auto] Этот параметр будет настроен автоматически с помощью BIOS.
- [Next Boot] Процессор перейдет на заданную базовую частоту при следующей загрузке.
- [Immediate] Процессор перейдет на заданную базовую частоту немедленно.
- [During Boot] Процессор перейдет на заданную базовую частоту во время загрузки.

► Extreme Memory Profile (X.M.P.) [Disabled]

X.M.P. (Extreme Memory Profile) является технологией разгона для модулей памяти. Этот пункт доступен при установке модулей памяти с поддержкой X.M.P.

- [Disabled] Функция выключена.
- [Profile 1] Использует настройки Профиль 1 для модуля памяти XMP.
- [Profile 2] Использует настройки Профиль 2 для модуля памяти XMP.

► DRAM Frequency [Auto]

Установка частоты памяти (DRAM). Обратите внимание, что возможность успешного разгона не гарантируется.

► Adjusted DRAM Frequency

Показывает текущую частоту DRAM. Это значение нельзя изменять.

► Memory Try It ! [Disabled]

Позволяет улучшить совместимость памяти и производительность, путем выбора наиболее оптимального пресета.

► DRAM Timing Mode [Link]

Режимы таймингов памяти.

- [Link] Позволяет пользователю настроить тайминги DRAM для всех каналов памяти.
- [UnLink] Позволяет пользователю настроить тайминги DRAM для соответствующего канала памяти.

► Advanced DRAM Configuration

Нажмите <Enter> для входа в подменю. Пользователь может настроить тайминги для каждого канала памяти. Система может работать нестабильно или не загружаться после изменения таймингов памяти. Если система работает нестабильно, пожалуйста, очистите данные CMOS и восстановите настройки по умолчанию. (см. переключатель очистки данных CMOS/раздел кнопки для очистки данных CMOS и вход в BIOS, чтобы загрузить настройки по умолчанию.)

► Memory Fast Boot [Auto] *

Включает или выключает инициализацию и тренировку памяти при каждой загрузке.

[Auto] Этот параметр будет настроен автоматически с помощью BIOS.

[Enabled] Система будет полностью сохранить настройки при первой инициализации и тренировке для памяти. Так память более не будет подвергаться процессу инициализации и тренировке измененными настройками для ускорения загрузки.

[Disabled] Память будет проходить процесс инициализации и тренировки при каждой загрузке.

► CPU Core/ GT Voltage Mode [Auto]*

Позволяет выбрать режим управления напряжениями ядра процессора/напряжений GT.

[Auto] Этот параметр будет настроен автоматически с помощью BIOS.

[Adaptive Mode] Устанавливает адаптивное напряжение автоматически для оптимальной производительности системы.

[Override Mode] Позволяет устанавливать напряжения вручную.

[Offset Mode] Позволяет устанавливать напряжения смещения и выбирать режим напряжения смещения.

[Adaptive + Offset] Установка адаптивного напряжения автоматически и ручная установка напряжения смещения.

[Override + Offset] Позволяет устанавливать напряжение и напряжения смещения вручную

► CPU Voltages control [Auto]

Эти параметры позволяют вам задать напряжения, связанные с процессором. При установке в **Auto**, BIOS установит напряжения автоматически. Вы также можете настроить напряжения вручную.

► DRAM Voltages control [Auto]

Эти параметры позволяют вам задать напряжения, связанные с памятью. При установке в **Auto**, BIOS установит напряжения автоматически. Вы также можете настроить напряжения вручную.

► CPU Memory Changed Detect [Enabled]*

Включение или выключение предупреждающих сообщений при загрузке системы, когда процессор или память были заменены.

[Enabled] Система выдает предупреждение во время загрузки. Требуется загрузить настройки по умолчанию для новых устройств.

[Disabled] Выключение этой функции и сохранение текущих настроек BIOS.

► OC Quick View Timer [3 Sec]*

Устанавливает время отображения и разрешает BIOS выводить различные варианты базовой частоты CPU, множителя CPU, множителя кольцевой шины Ring и множителя DRAM. При установке в Disabled, BIOS не будет отображать варианты значений при изменении базовой частоты CPU, множителя CPU и т.д.

▶ CPU Specifications

Нажмите <Enter> для входа в подменю. В этом подменю представлена информация об установленном процессоре. Для просмотра этой информации в любое время нажмите на кнопку [F4]. Это значение нельзя изменить.

▶ CPU Technology Support

Нажмите <Enter> для входа в подменю. В данном подменю отображаются основные функции, поддерживаемые установленным процессором. Это значение нельзя изменить.

▶ MEMORY-Z

Нажмите <Enter> для входа в подменю. В подменю выделены все параметры и тайминги установленной памяти. Для просмотра этой информации в любое время нажмите на кнопку [F5].

▶ DIMM1~4 Memory SPD

Нажмите <Enter> для входа в подменю. Это подменю показывает информацию об установленной памяти. Это значение нельзя изменить.

▶ CPU Features

Нажмите <Enter> для входа в подменю.

▶ Hyper-Threading [Enabled]

Технология Intel Hyper-Threading позволяет нескольким наборам регистров в процессоре исполнять инструкции одновременно. Это существенно увеличивает производительность системы. Этот пункт появляется, когда установленный процессор поддерживает изменение данного параметра.

[Enable] Включить технологию Intel Hyper-Threading.

[Disabled] Выключить эту функцию, если система не поддерживает функцию HT.

▶ Active Processor Cores [All]

Позволяет вам выбрать количество активных ядер процессора.

▶ Limit CPUID Maximum [Disabled]

Включение или выключение расширенных значений CPUID.

[Enabled] BIOS будет ограничивать максимальное входное значение CPUID для обхода проблемы загрузки в устаревших операционных системах, не поддерживающих процессор с расширенными значениями CPUID.

[Disabled] Используйте фактическое максимальное входное значение CPUID.

▶ Execute Disable Bit [Enabled]

Функция Intel's Execute Disable Bit позволяет защититься от некоторых видов злонамеренных действий типа **ошибки переполнения буфера**, при которых вирусы пытаются выполнить код, разрушающий систему. Рекомендуется не отключать данную функцию.

[Enabled] Позволяет защититься от злонамеренных действий и вирусов.

[Disabled] Выключение этой функции.

► Intel Virtualization Tech [Enabled]

Включение или выключение технологии Intel Virtualization.

[Enabled] Включает технологию Intel Virtualization и позволяет платформе запускать несколько операционных систем в независимых разделах. Система может функционировать виртуально сразу с несколькими операционными системами.

[Disabled] Выключение этой функции.

► Intel VT-D Tech [Disabled]

Включение или выключение технологии Intel VT-D (Intel Virtualization for Direct I/O).

► Hardware Prefetcher [Enabled]

Включение или выключение аппаратной предвыборки (MLC Streamer prefetcher).

[Enabled] Позволяет автоматически реализовывать предвыборку данных и инструкций из памяти в кэш L2 для настройки производительности процессора.

[Disabled] Выключение аппаратной предвыборки.

► Adjacent Cache Line Prefetch [Enabled]

Включение или выключение предвыборки процессора (MLC Spatial prefetcher).

[Enabled] Включение соседней предвыборки линии кэша для сокращения времени задержки кэша и настройки производительности для определенного приложения.

[Disabled] Включает только запрашиваемую линию кэша.

► CPU AES Instructions [Enabled]

Включение или выключение поддержки CPU AES (Advanced Encryption Standard-New Instructions). Этот пункт появляется, если процессор поддерживает данную функцию.

► Intel Adaptive Thermal Monitor [Enabled]

Включение или выключение адаптивного температурного мониторинга для защиты процессора от перегрева.

[Enabled] Уменьшает частоту ядра процессора, когда процессор превышает адаптивную температуру.

[Disabled] Выключение функции.

► Intel C-State [Auto]

Включение или выключение Intel C-state. C-state - это технология управления питанием процессора, определяемая ACPI.

[Auto] Параметр будет настроен автоматически с помощью BIOS.

[Enabled] Определяет состояние простоя системы и значительно сокращает энергопотребление процессором.

[Disabled] Выключение функции.

► C1E Support [Disabled]

Включение или выключение функции C1E для энергосбережения в состоянии простоя. Данный пункт появляется при включении **Intel C-State**.

[Enabled] Включение функции C1E для снижения частоты и напряжения процессора в целях энергосбережения в состоянии простоя.

[Disabled] Функция выключена.

► Package C State limit [Auto]

Данный параметр позволяет выбрать режим C-state для энергосбережения при простое системы. Варианты C-state зависят от установленного процессора. Этот элемент появляется при включении **Intel C-State**.

► CFG Lock [Enabled]

Блокировка или разблокировка MSR 0xE2[15], бит блокировки CFG.

[Enabled] Блокирует бит блокировки CFG.

[Disabled] Разблокирует бит блокировки CFG.

► EIST [Enabled]

Включение или выключение технологии Enhanced Intel® SpeedStep. Этот пункт появляется, если **OC Explore Mode** установлено в **Normal**.

[Enabled] Включение EIST для регулировки напряжения и частоты ядра процессора. Этот пункт может снизить среднее энергопотребление и тепловыделение.

[Disabled] Выключение EIST.

► Intel Turbo Boost [Enabled]

Включение или выключение Intel® Turbo Boost. Данный пункт применим для режима **Normal** и доступен, когда установленный процессор поддерживает данную функцию.

[Enabled] Включение этой функции приводит к автоматическому увеличению производительности процессора.

[Disabled] Функция выключена.

► Long Duration Power Limit (W) [Auto]

Настроить предельную мощность TDP процессора для длительной работы в режиме Turbo Boost.

► Long Duration Maintained (s) [Auto]

Настроить максимальное время работы процессора с ограничением мощности при Long Duration Power Limit.

► Short Duration Power Limit (W) [Auto]

Настроить предельную мощность TDP процессора при кратковременных нагрузках в режиме Turbo Boost.

► CPU Current Limit (A) [Auto]

Устанавливает максимальное ограничение по току для процессора в режиме Turbo Boost. В случае превышения установленного значения, процессор автоматически снижает частоту ядер.

▶ **FCLK Frequency [Auto]**

Устанавливает частоту FCLK. Нижняя частота FCLK может помочь вам установить более высокую частоту базовой тактовой.

▶ **DMI Link Speed [Auto]**

Устанавливает скорость DMI.

Описание программного обеспечения

Установка Windows® 7/ 8.1/ 10

1. Включите компьютер.
2. Вставьте диск Windows® 7/ 8.1/ 10 в привод для оптических дисков.
Примечание: Из-за ограничений, накладываемых установщиком Windows® 7, USB оптические приводы и флеш накопители не поддерживаются.
3. Нажмите кнопку **Restart** на корпусе компьютера.
4. В Windows 8.1/ 10, пропустите этот шаг. В Windows 7, войдите в меню BIOS **SETTING > Advanced > Windows OS Configuration > Windows 7 Installation** и установите пункт включен, сохраните изменения и перезагрузите.
Примечание: При установке Windows 7 рекомендуется подключить USB клавиатуру/ USB мышь к портам USB, расположенным слева.
5. Нажмите клавишу F11 во время POST (Power-On Self Test) компьютера, чтобы войти в меню загрузки.
6. Выберите оптический привод в меню загрузки.
7. Нажмите любую клавишу, когда на экране показывает сообщение **Press any key to boot from CD or DVD...**
8. Следуйте инструкциям на экране, чтобы установить Windows® 7/ 8.1/ 10.

Установка драйверов

1. Загрузите компьютер в Windows® 7/ 8.1/ 10.
2. Вставьте диск с драйверами MSI® Driver Disc в привод для оптических дисков.
3. Автоматически отобразится окно установщика, который найдет и перечислит все необходимые драйверы.
4. Нажмите кнопку **Install**.
5. Начнется установка драйверов. После ее завершения будет предложено перезапустить систему.
6. Нажмите кнопку **OK** для завершения.
7. Перезапустите компьютер.

Установка утилит

Перед установкой утилиты необходимо выполнить установку драйверов.

1. Вставьте диск с драйверами MSI® Driver Disc в привод для оптических дисков.
2. Автоматически отобразится окно установщика.
3. Нажмите вкладку **Utilities**.
4. Выберите необходимые для установки утилиты.
5. Нажмите кнопку **Install**.
6. Начнется установка программного обеспечения. После ее завершения будет предложено перезапустить систему.
7. Нажмите кнопку **OK** для завершения.
8. Перезапустите компьютер.

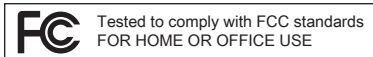
Regulatory Notices

FCC Compliance Statement

Note: This equipment has been tested and found to comply with the limits for a Class B digital device, pursuant to part 15 of the FCC Rules. These limits are designed to provide reasonable protection against harmful interference in a residential installation. This equipment generates, uses and can radiate radio frequency energy and, if not installed and used in accordance with the instructions, may cause harmful interference to radio communications. However, there is no guarantee that interference will not occur in a particular installation. If this equipment does cause harmful interference to radio or television reception, which can be determined by turning the equipment off and on, the user is encouraged to try to correct the interference by one or more of the following measures:


- Reorient or relocate the receiving antenna.
- Increase the separation between the equipment and receiver.
- Connect the equipment into an outlet on a circuit different from that to which the receiver is connected.
- Consult the dealer or an experienced radio/TV technician for help.

Caution: Changes or modifications not expressly approved by the party responsible for compliance could void the user's authority to operate the equipment.



This device complies with part 15 of the FCC Rules. Operation is subject to the following two conditions: (1) This device may not cause harmful interference, and (2) this device must accept any interference received, including interference that may cause undesired operation.


CE Conformity

 Hereby, Micro-Star International CO., LTD declares that this device is in compliance with the essential safety requirements and other relevant provisions set out in the European Directive.


C-Tick Compliance



B급 기기 (가정용 방송통신기자재)

 이 기기는 가정용(B급) 전자파적합기기로서 주로 가정에서 사용하는 것을 목적으로 하며, 모든 지역에서 사용할 수 있습니다.

クラスB情報技術装置

 この装置は、クラスB情報技術装置です。この装置は、家庭環境で使用することを目的としていますが、この装置がラジオやテレビジョン受信機に近接して使用されると、受信障害を引き起こすことがあります。取扱説明書に従って正しい取り扱いをして下さい

VCCI-B

Battery Information

European Union:



Batteries, battery packs, and accumulators should not be disposed of as unsorted household waste. Please use the public collection system to return, recycle, or treat them in compliance with the local regulations.

Taiwan:



廢電池請回收

For better environmental protection, waste batteries should be collected separately for recycling or special disposal.

California, USA:



The button cell battery may contain perchlorate material and requires special handling when recycled or disposed of in California.

For further information please visit:

<http://www.dtsc.ca.gov/hazardouswaste/perchlorate/>

CAUTION: There is a risk of explosion, if battery is incorrectly replaced.

Replace only with the same or equivalent type recommended by the manufacturer.

Chemical Substances Information

In compliance with chemical substances regulations, such as the EU REACH Regulation (Regulation EC No. 1907/2006 of the European Parliament and the Council), MSI provides the information of chemical substances in products at:

http://www.msi.com/html/popup/csr/evmtprrt_pcm.html

WEEE (Waste Electrical and Electronic Equipment) Statement

ENGLISH

To protect the global environment and as an environmentalist, MSI must remind you that...

Under the European Union ("EU") Directive on Waste Electrical and Electronic Equipment, Directive 2002/96/EC, which takes effect on August 13, 2005, products of "electrical and electronic equipment" cannot be discarded as municipal wastes anymore, and manufacturers of covered electronic equipment will be obligated to take back such products at the end of their useful life. MSI will comply with the product take back requirements at the end of life of MSI-branded products that are sold into the EU. You can return these products to local collection points.



DEUTSCH

Hinweis von MSI zur Erhaltung und Schutz unserer Umwelt

Gemäß der Richtlinie 2002/96/EG über Elektro- und Elektronik-Altgeräte dürfen Elektro- und Elektronik-Altgeräte nicht mehr als kommunale Abfälle entsorgt werden. MSI hat europaweit verschiedene Sammel- und Recyclingunternehmen beauftragt, die in die Europäische Union in Verkehr gebrachten Produkte, am Ende seines Lebenszyklus zurückzunehmen. Bitte entsorgen Sie dieses Produkt zum gegebenen Zeitpunkt ausschliesslich an einer lokalen Altgerätesammelstelle in Ihrer Nähe.

FRANÇAIS

En tant qu'écologiste et afin de protéger l'environnement, MSI tient à rappeler ceci... Au sujet de la directive européenne (EU) relative aux déchets des équipement électriques et électroniques, directive 2002/96/EC, prenant effet le 13 août 2005, que les produits électriques et électroniques ne peuvent être déposés dans les décharges ou tout simplement mis à la poubelle. Les fabricants de ces équipements seront obligés de récupérer certains produits en fin de vie. MSI prendra en compte cette exigence relative au retour des produits en fin de vie au sein de la communauté européenne. Par conséquent vous pouvez retourner localement ces matériels dans les points de collecte.

РУССКИЙ

Компания MSI предпринимает активные действия по защите окружающей среды, поэтому напоминаем вам, что... В соответствии с директивой Европейского Союза (ЕС) по предотвращению загрязнения окружающей среды использованным электрическим и электронным оборудованием (директива WEEE 2002/96/EC), вступающей в силу 13 августа 2005 года, изделия, относящиеся к электрическому и электронному оборудованию, не могут рассматриваться как бытовой мусор, поэтому производители вышеперечисленного электронного оборудования обязаны принимать его для переработки по окончании срока службы. MSI обязуется соблюдать требования по приему продукции, проданной под маркой MSI на территории ЕС, в переработку по окончании срока службы. Вы можете вернуть эти изделия в специализированные пункты приема.

ESPAÑOL

MSI como empresa comprometida con la protección del medio ambiente, recomienda: Bajo la directiva 2002/96/EC de la Unión Europea en materia de desechos y/o equipos electrónicos, con fecha de rigor desde el 13 de agosto de 2005, los productos clasificados como "eléctricos y equipos electrónicos" no pueden ser depositados en los contenedores habituales de su municipio, los fabricantes de equipos electrónicos, están obligados a hacerse cargo de dichos productos al término de su período de vida. MSI estará comprometido con los términos de recogida de sus productos vendidos en la Unión Europea al final de su período de vida. Usted debe depositar estos productos en el punto limpio establecido por el ayuntamiento de su localidad o entregar a una empresa autorizada para la recogida de estos residuos.

NEDERLANDS

Om het milieu te beschermen, wil MSI u eraan herinneren dat... De richtlijn van de Europese Unie (EU) met betrekking tot Vervuiling van Electrische en Electronische producten (2002/96/EC), die op 13 Augustus 2005 in zal gaan kunnen niet meer beschouwd worden als vervuiling. Fabrikanten van dit soort producten worden verplicht om producten retour te nemen aan het eind van hun levenscyclus. MSI zal overeenkomstig de richtlijn handelen voor de producten die de merknaam MSI dragen en verkocht zijn in de EU. Deze goederen kunnen geretourneerd worden op lokale inzamelingspunten.

SRPSKI

Da bi zaštitili prirodnu sredinu, i kao preduzeće koje vodi računa o okolini i prirodnoj sredini, MSI mora da vas podesti da... Po Direktivi Evropske unije ("EU") o odbačenju eelektronskoj i električnoj opremi, Direktiva 2002/96/EC, koja stupa na snagu od 13. Avgusta 2005, proizvodi koji spadaju pod "elektronsku i električnu opremu" ne mogu više biti odbačeni kao običan otpad i proizvođači ove opreme biće prinuđeni da uzmu natrag ove proizvode na kraju njihovog uobičajenog veka trajanja. MSI će poštovati zahtev o preuzimanju ovakvih proizvoda kojima je istekao vek trajanja, koji imaju MSI oznaku i koji su prodati u EU. Ove proizvode možete vratiti na lokalnim mestima za prikupljanje.

POLSKI

Aby chronić nasze środowisko naturalne oraz jako firma dbająca o ekologię, MSI przypomina, że... Zgodnie z Dyrektywą Unii Europejskiej ("UE") dotyczącą odpadów produktów elektrycznych i elektronicznych (Dyrektywa 2002/96/EC), która wchodzi w życie 13 sierpnia 2005, tzw. "produkty oraz wyposażenie elektryczne i elektroniczne" nie mogą być traktowane jako śmieci komunalne, tak więc producenci tych produktów będą zobowiązani do odbierania ich w momencie gdy produkt jest wycofywany z użycia. MSI wypełni wymagania UE, przyjmując produkty (sprzedawane na terenie Unii Europejskiej) wycofywane z użycia. Produkty MSI będzie można zwracać w wyznaczonych punktach zbiorczych.

TÜRKÇE

Çevreci özelliğiyle bilinen MSI dünyada çevreyi korumak için hatırlatır:
Avrupa Birliği (AB) Kararnamesi Elektrik ve Elektronik Malzeme Atığı, 2002/96/EC Kararnamesi altında 13 Ağustos 2005 tarihinden itibaren geçerli olmak üzere, elektrikli ve elektronik malzemele diğer atıklar gibi çöpe atılmayacak ve bu elektronik cihazların üreticileri, cihazların kullanın süreleri bittikten sonra ürünleri geri toplamakla yükümlü olacaktır. Avrupa Birliği'ne satılan MSI markalı ürünlerin kullanın süreleri bittiğinde MSI ürünlerin geri alınması isteği ile işbirliği içerisinde olacaktır. Ürünlerinizi yerel toplama noktalarına bırakabilirsiniz.

ČESKY

Záleží nám na ochraně životního prostředí - společně MSI upozorňuje...

Podle směrnice Evropské unie ("EU") o likvidaci elektrických a elektronických výrobků 2002/96/EC platné od 13. srpna 2005 je zakázáno likvidovat "elektrické a elektronické výrobky" v běžném komunálním odpadu a výrobci elektrických výrobků, na které se tato směrnice vztahuje, budou povinni odebrat takové výrobky zpět po skončení jejich životnosti. Společnost MSI splní požadavky na odebrání výrobků značky MSI, prodávaných v zemích EU, po skončení jejich životnosti. Tyto výrobky můžete odevzdat v místních sběrnách.

MAGYAR

Annak érdekében, hogy környezetünket megvédjük, illetve környezetvédeként fellépve az MSI emlékezteti Önt, hogy ...
Az Európai Unió („EU”) 2005. augusztus 13-án hatályba lépő, az elektromos és elektronikus berendezések hulladékairól szóló 2002/96/EK irányelve szerint az elektromos és elektronikus berendezések többé nem kezelhetőek lakossági hulladékként, és az ilyen elektronikus berendezések gyártói kötelesek válnak az ilyen termékek visszavételére azok hasznos élettartama végén. Az MSI betartja a termékvisszavétellel kapcsolatos követelményeket az MSI márkánév alatt az EU-n belül értékesített termékek esetében, azok élettartamának végén. Az ilyen termékeket a legközelebbi gyűjtőhelyre viheti.

ITALIANO

Per proteggere l'ambiente, MSI, da sempre amica della natura, ti ricorda che....
In base alla Direttiva dell'Unione Europea (EU) sullo Smaltimento dei Materiali Elettrici ed Elettronici, Direttiva 2002/96/EC in vigore dal 13 Agosto 2005, prodotti appartenenti alla categoria dei Materiali Elettrici ed Elettronici non possono più essere eliminati come rifiuti municipali: i produttori di detti materiali saranno obbligati a ritirare ogni prodotto alla fine del suo ciclo di vita. MSI si adoguerà a tale Direttiva ritirando tutti i prodotti marchiati MSI che sono stati venduti all'interno dell'Unione Europea alla fine del loro ciclo di vita. È possibile portare i prodotti nel più vicino punto di raccolta

日本JIS C 0950材質宣言

日本工業規格JIS C 0950により、2006年7月1日以降に販売される特定分野の電気および電子機器について、製造者による含有物質の表示が義務付けられます。
http://www.msi.com/html/popup/csr/cemm_jp.html
http://tw.msi.com/html/popup/csr_tw/cemm_jp.html

India RoHS

This product complies with the "India E-waste (Management and Handling) Rule 2011" and prohibits use of lead, mercury, hexavalent chromium, polybrominated biphenyls or polybrominated diphenyl ethers in concentrations exceeding 0.1 weight % and 0.01 weight % for cadmium, except for the exemptions set in Schedule 2 of the Rule.

Türkiye EEE yönetmeliği

Türkiye Cumhuriyeti: EEE Yönetmeliğine Uygundur

Україна обмеження на наявність небезпечних речовин

Обладнання відповідає вимогам Технічного регламенту щодо обмеження використання деяких небезпечних речовин в електричному та електронному обладнанні, затвердженого постановою Кабінету Міністрів України від 3 грудня 2008 № 1057.

Việt Nam RoHS


Kể từ ngày 01/12/2012, tất cả các sản phẩm do công ty MSI sản xuất tuân thủ Thông tư số 30/2011/TT-BCT quy định tạm thời về giới hạn hàm lượng cho phép của một số hóa chất độc hại có trong các sản phẩm điện, điện tử"

Environmental Policy

- The product has been designed to enable proper reuse of parts and recycling and should not be thrown away at its end of life.
- Users should contact the local authorized point of collection for recycling and disposing of their end-of-life products.
- Visit the MSI website and locate a nearby distributor for further recycling information.
- Users may also reach us at gpcontdev@msi.com for information regarding proper Disposal, Take-back, Recycling, and Disassembly of MSI products.



产品中有害物质的名称及含量

部件名称	有害物质					
	铅 (Pb)	汞 (Hg)	镉 (Cd)	六价铬 (Cr(VI))	多溴联苯 (PBB)	多溴二苯醚 (PBDE)
印刷电路板组件*	X	O	O	O	O	O
电池** 	X	O	O	O	O	O
外部信号连接头	X	O	O	O	O	O
线材	X	O	O	O	O	O

本表格依据 SJ/T 11364 的规定编制。

O: 表示该有害物质在该部件所有均质材料中的含量均在 GB/T 26572 规定的限量要求以下。

X: 表示该有害物质至少在该部件的某一均质材料中的含量超出 GB/T 26572 规定的限量要求，但所有部件都符合欧盟RoHS要求。

* 印刷电路板组件: 包括印刷电路板及其构成的零部件。

** 电池本体上如有环保使用期限标识，以本体标识为主。

■ 上述有毒有害物质或元素清单会依型号之部件差异而有所增减。

■ 产品部件本体上如有环保使用期限标识，以本体标识为主。

Copyright

msi Micro-Star Int'l Co.,Ltd.
Copyright © 2015 All rights reserved.

The material in this document is the intellectual property of Micro-Star Int'l Co.,Ltd. We take every care in the preparation of this document, but no guarantee is given as to the correctness of its contents. Our products are under continual improvement and we reserve the right to make changes without notice.

Technical Support

If a problem arises with your system and no solution can be obtained from the user guide, please contact your place of purchase or local distributor. Alternatively, please try the following help resources for further guidance.

- Visit the MSI website for technical guide, BIOS updates, driver updates, and other information: <http://www.msi.com>
- Register your product at: <http://register.msi.com>

Trademark Recognition

All product names used in this manual are the properties of their respective owners and are acknowledged.

Revision History

Europe Version 2.0, 2015/08, First release.