

## Quick Start

Thank you for purchasing the MSI® **X370 KRAIT GAMING** motherboard. This Quick Start section provides demonstration diagrams about how to install your computer. Some of the installations also provide video demonstrations. Please link to the URL to watch it with the web browser on your phone or tablet. You may have even link to the URL by scanning the QR code.

## Kurzanleitung

Danke, dass Sie das MSI® **X370 KRAIT GAMING** Motherboard gewählt haben. Dieser Abschnitt der Kurzanleitung bietet eine Demo zur Installation Ihres Computers. Manche Installationen bieten auch die Videodemonstrationen. Klicken Sie auf die URL, um diese Videoanleitung mit Ihrem Browser auf Ihrem Handy oder Table anzusehen. Oder scannen Sie auch den QR Code mit Ihrem Handy, um die URL zu öffnen.

## Présentation rapide

Merci d' avoir choisi la carte mère MSI® **X370 KRAIT GAMING**. Ce manuel fournit une rapide présentation avec des illustrations explicatives qui vous aideront à assembler votre ordinateur. Des tutoriels vidéo sont disponibles pour certaines étapes. Cliquez sur le lien fourni pour regarder la vidéo sur votre téléphone ou votre tablette. Vous pouvez également accéder au lien en scannant le QR code qui lui est associé.

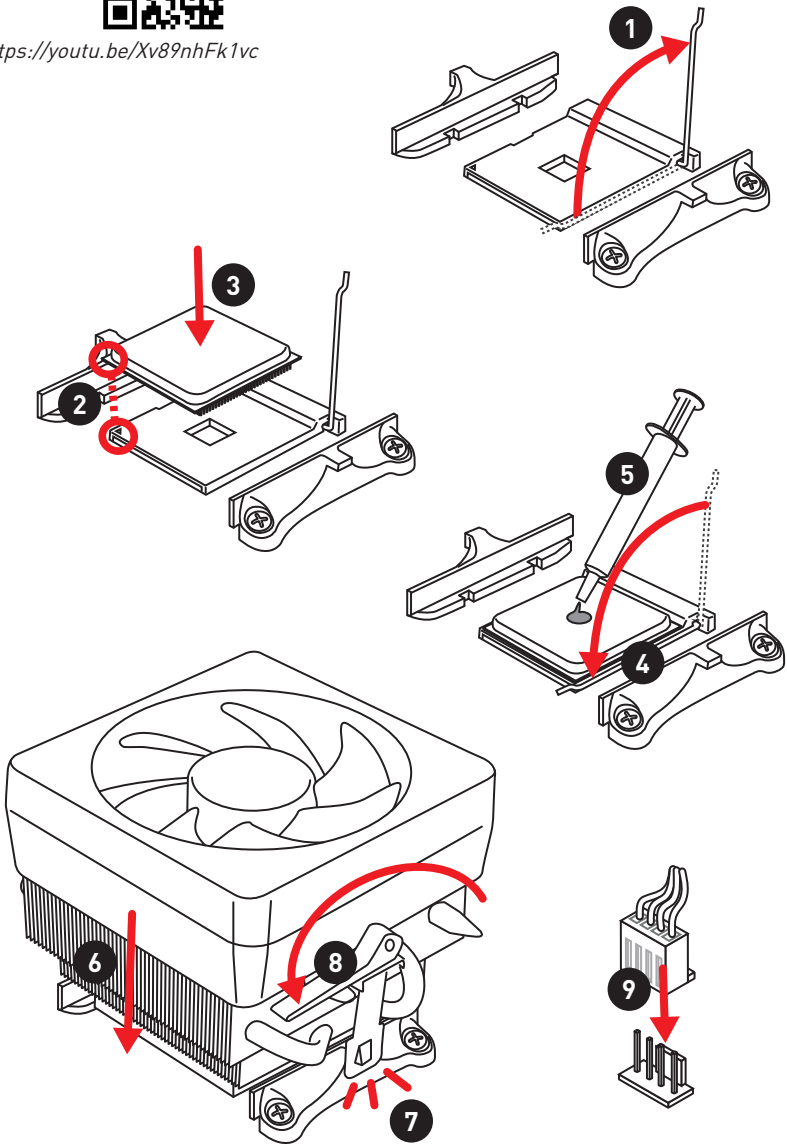
## Быстрый старт

Благодарим вас за покупку материнской платы MSI® **X370 KRAIT GAMING**. В этом разделе представлена информация, которая поможет вам при сборке компьютера. Для некоторых этапов сборки имеются видеoinструкции. Для просмотра видео, необходимо открыть соответствующую ссылку в веб-браузере на вашем телефоне или планшете. Вы также можете выполнить переход по ссылке, путем сканирования QR-кода.

# Installing a Processor/ Installation des Prozessors/ Installer un processeur/ Установка процессора



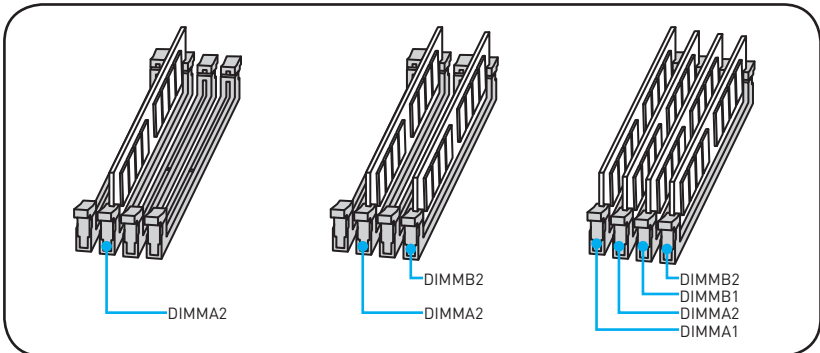
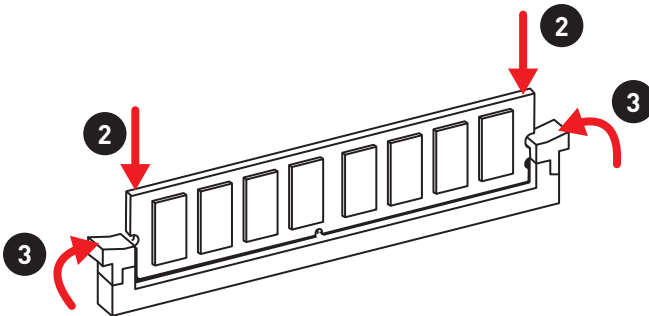
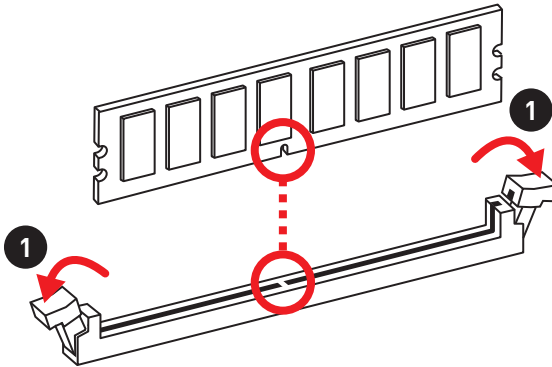
<https://youtu.be/Xv89nhFk1vc>



# Installing DDR4 memory/ Installation des DDR4-Speichers/ Installer une mémoire DDR4/ Установка памяти DDR4



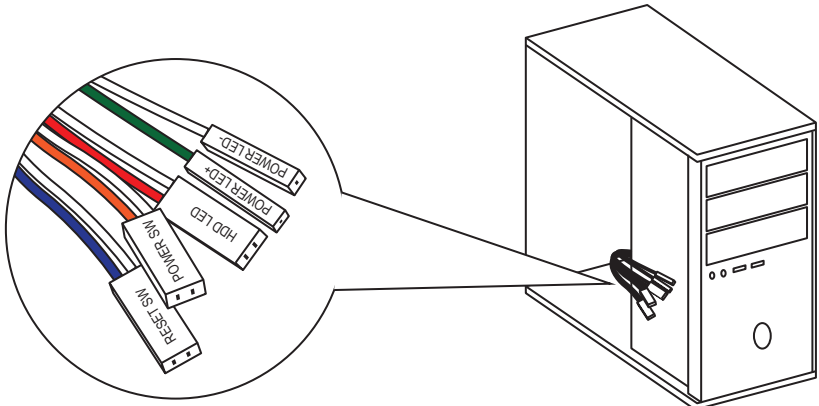
<http://youtu.be/T03aDrJPyQs>



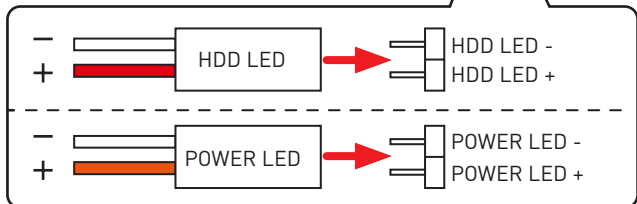
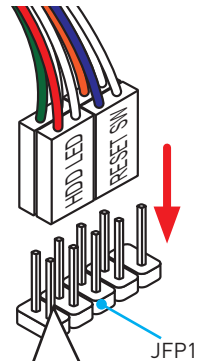
# Connecting the Front Panel Header/ Anschließen der Frontpanel-Stiftleiste/ Connector un connecteur du panneau avant/ Подключение разъемов передней панели



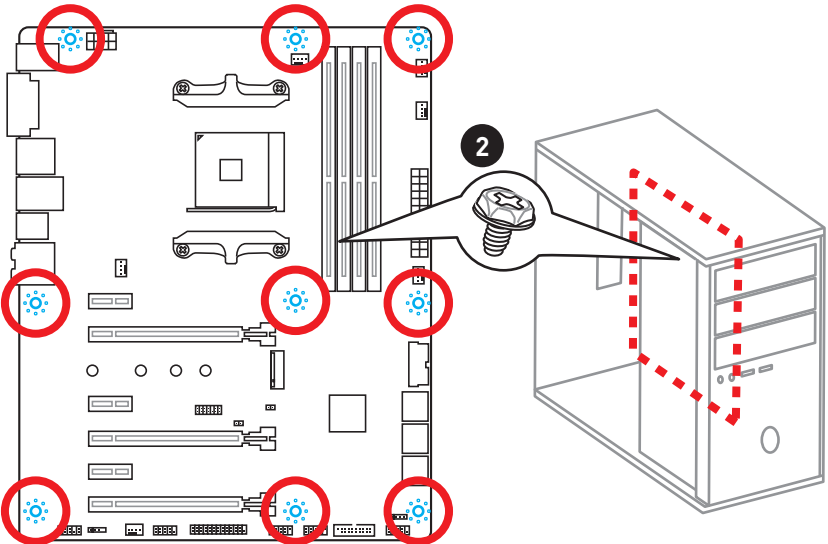
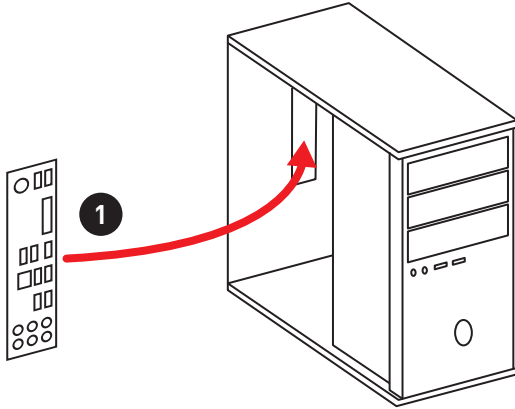
<http://youtu.be/DPELIdVNZUI>



<p>JFP1</p>	1	HDD LED +	2	Power LED +
	3	HDD LED -	4	Power LED -
	5	Reset Switch	6	Power Switch
	7	Reset Switch	8	Power Switch
	9	Reserved	10	No Pin



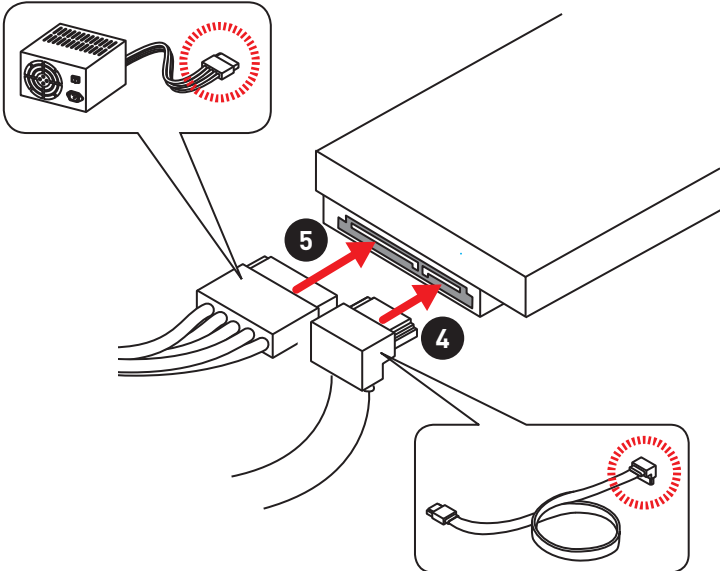
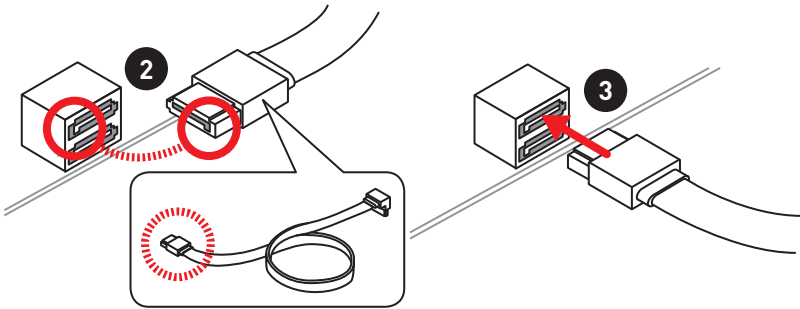
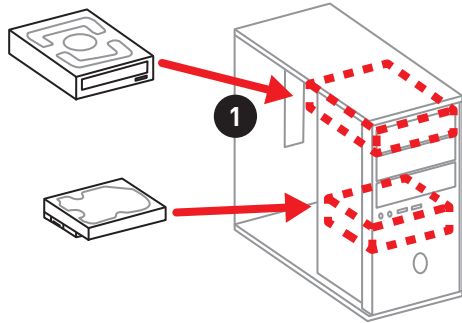
Installing the Motherboard/ Installation des Motherboards/  
Installer la carte mère/ Установка материнской платы



# Installing SATA Drives/ Installation der SATA-Laufwerke/ Installer le disque dur SATA/ Установка дисков SATA



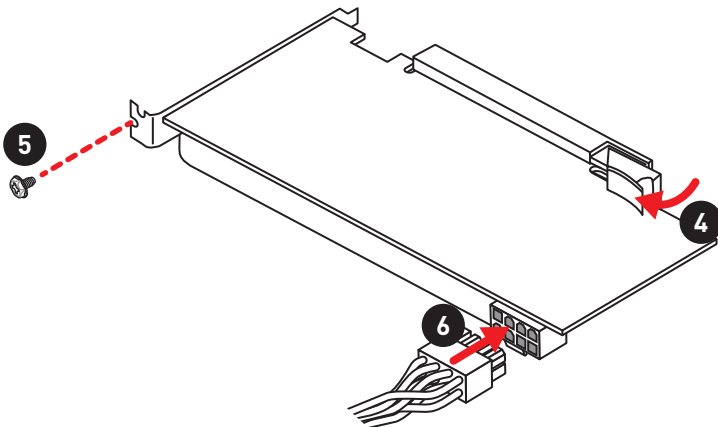
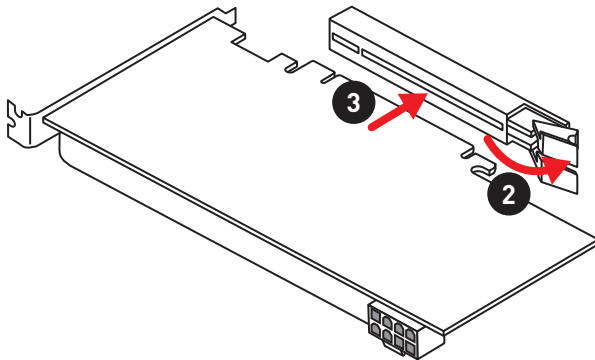
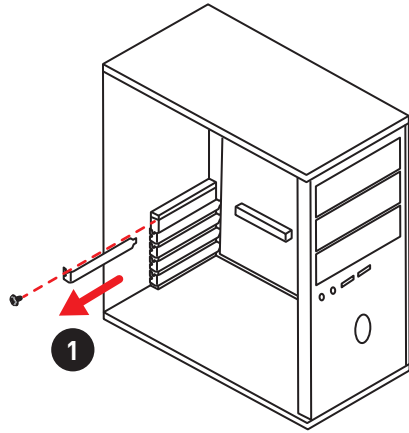
<http://youtu.be/RZsMpqxythc>



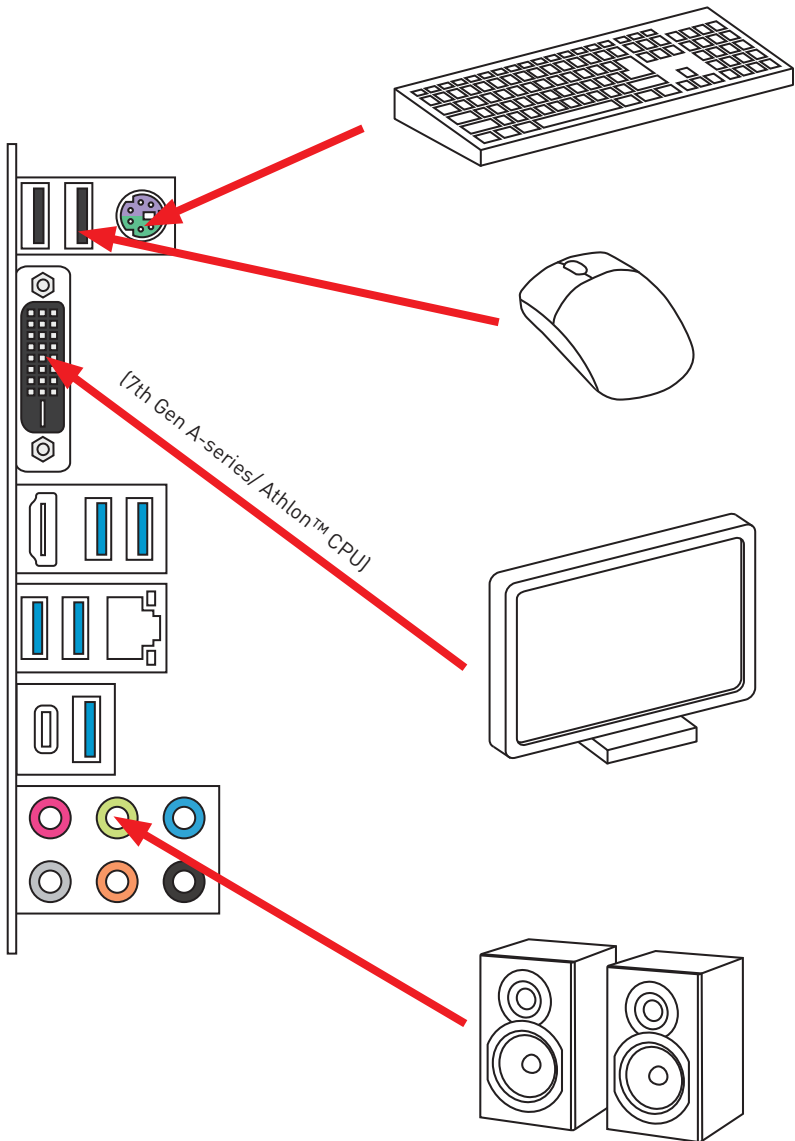
# Installing a Graphics Card/ Einbau der Grafikkarte/ Installer une carte graphique/ Установка дискретной видеокарты



[http://youtu.be/mG0GZpr9w\\_A](http://youtu.be/mG0GZpr9w_A)



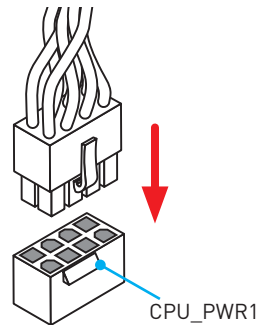
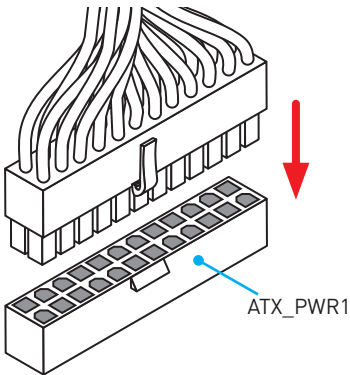
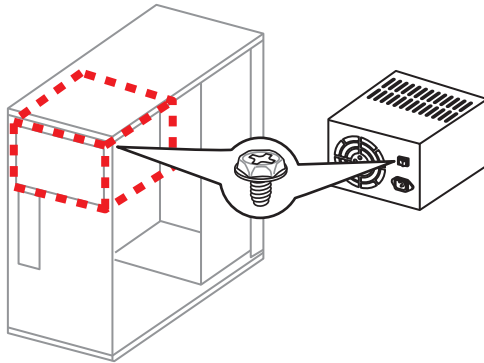
Connecting Peripheral Devices/ Peripheriegeräte/  
Connecter un périphérique anschliessen/ Подключение  
периферийных устройств



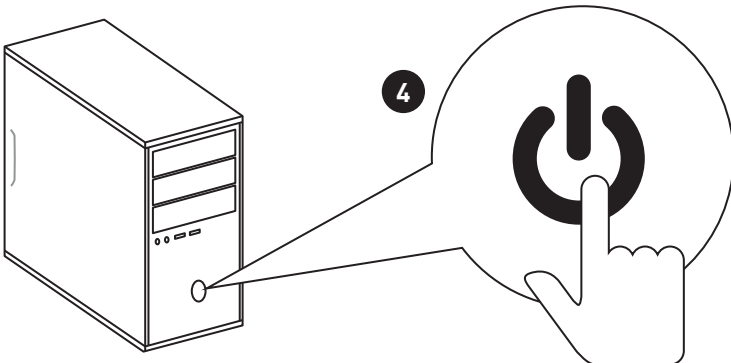
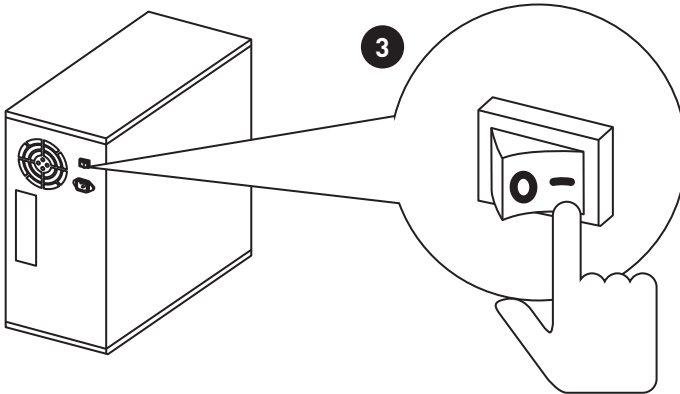
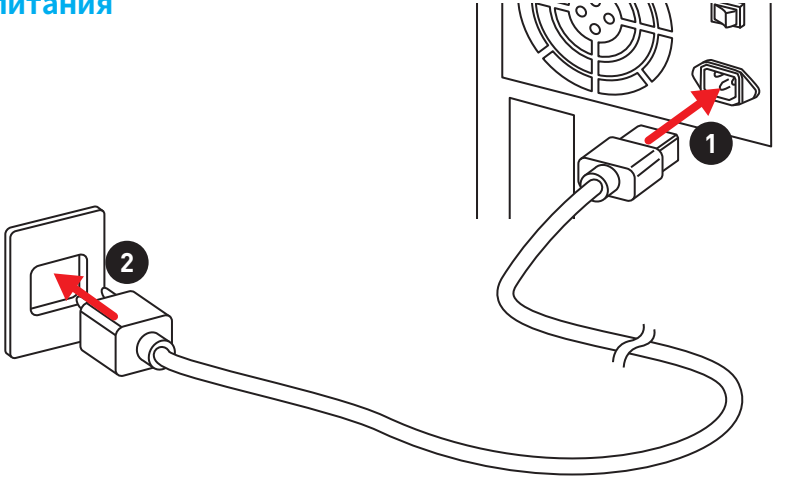
# Connecting the Power Connectors/ Stromanschlüsse anschiessen/ Connector les câbles du module d' alimentation/ Подключение разъемов питания



[http://youtu.be/gkDYyR\\_83I4](http://youtu.be/gkDYyR_83I4)



**Power On/ Einschalten/ Mettre sous-tension/ Включение  
питания**



# Contents

<b>Safety Information</b> .....	<b>3</b>
<b>Specifications</b> .....	<b>4</b>
<b>Rear I/O Panel</b> .....	<b>9</b>
LAN Port LED Status Table.....	9
Audio Ports Configuration .....	9
Realtek HD Audio Manager .....	10
<b>Overview of Components</b> .....	<b>12</b>
CPU Socket .....	13
DIMM Slots.....	14
PCI_E1~6: PCIe Expansion Slots .....	15
M2_1: M.2 Slot (Key M) .....	18
SATA1~6: SATA 6Gb/s Connectors .....	19
CPU_PWR1, ATX_PWR1: Power Connectors .....	20
JUSB1~2: USB 2.0 Connectors.....	21
JUSB3~4: USB 3.1 Gen1 Connectors .....	21
CPU_FAN1, PUMP_FAN1, SYS_FAN1~4: Fan Connectors.....	22
JAUD1: Front Audio Connector .....	23
JCI1: Chassis Intrusion Connector.....	23
JFP1, JFP2: Front Panel Connectors .....	24
JTPM1: TPM Module Connector.....	24
JBAT1: Clear CMOS (Reset BIOS) Jumper .....	25
JLPT1: Parallel Port Connector .....	25
JCOM1: Serial Port Connector .....	26
JLED1: RGB LED connector .....	26
<b>Onboard LEDs</b> .....	<b>27</b>
EZ Debug LED.....	27
DIMM LEDs .....	27
GPU LED .....	27
PCIe x16 slot LEDs.....	27
<b>BIOS Setup</b> .....	<b>28</b>
Entering BIOS Setup.....	28
Resetting BIOS.....	29
Updating BIOS.....	29
Advanced Mode .....	32
OC Menu.....	33

<b>Software Description.....</b>	<b>36</b>
Installing Windows® 7 64-bit/ Windows®10 64-bit.....	36
Installing Drivers .....	36
Installing Utilities .....	36

## Safety Information

- The components included in this package are prone to damage from electrostatic discharge (ESD). Please adhere to the following instructions to ensure successful computer assembly.
- Ensure that all components are securely connected. Loose connections may cause the computer to not recognize a component or fail to start.
- Hold the motherboard by the edges to avoid touching sensitive components.
- It is recommended to wear an electrostatic discharge (ESD) wrist strap when handling the motherboard to prevent electrostatic damage. If an ESD wrist strap is not available, discharge yourself of static electricity by touching another metal object before handling the motherboard.
- Store the motherboard in an electrostatic shielding container or on an anti-static pad whenever the motherboard is not installed.
- Before turning on the computer, ensure that there are no loose screws or metal components on the motherboard or anywhere within the computer case.
- Do not boot the computer before installation is completed. This could cause permanent damage to the components as well as injury to the user.
- If you need help during any installation step, please consult a certified computer technician.
- Always turn off the power supply and unplug the power cord from the power outlet before installing or removing any computer component.
- Keep this user guide for future reference.
- Keep this motherboard away from humidity.
- Make sure that your electrical outlet provides the same voltage as is indicated on the PSU, before connecting the PSU to the electrical outlet.
- Place the power cord such a way that people can not step on it. Do not place anything over the power cord.
- All cautions and warnings on the motherboard should be noted.
- If any of the following situations arises, get the motherboard checked by service personnel:
  - Liquid has penetrated into the computer.
  - The motherboard has been exposed to moisture.
  - The motherboard does not work well or you can not get it work according to user guide.
  - The motherboard has been dropped and damaged.
  - The motherboard has obvious sign of breakage.
- Do not leave this motherboard in an environment above 60°C (140°F), it may damage the motherboard.

# Specifications

CPU	Supports AMD® RYZEN series processors and 7th Gen A-series/ Athlon™ processors for Socket AM4
Chipset	AMD® X370 Chipset
Memory	<ul style="list-style-type: none"> <li>• 4x DDR4 memory slots, support up to 64GB               <ul style="list-style-type: none"> <li>▪ Supports DDR4 1866/ 2133/ 2400/ 2667(OC)/ 2933(OC)/ 3200(OC)+ Mhz *</li> </ul> </li> <li>• Dual channel memory architecture</li> <li>• Supports non-ECC UDIMM memory</li> <li>• Supports ECC UDIMM memory (non-ECC mode)</li> </ul> <p>* 7th Gen A-series/ Athlon™ processors support a maximum of 2400 MHz. Please refer <a href="http://www.msi.com">www.msi.com</a> for more information on compatible memory</p>
Expansion Slots	<ul style="list-style-type: none"> <li>• 2x PCIe 3.0 x16 slots (PCI_E_2, PCI_E_4)               <ul style="list-style-type: none"> <li>▪ RYZEN series processors support x16/x0, x8/x8 mode</li> <li>▪ 7th Gen A-series/ Athlon™ processors support x8/x0 mode</li> </ul> </li> <li>• 1x PCIe 2.0 x16 slot (PCI_E_6, supports x4 mode)*</li> <li>• 3x PCIe 2.0 x1 slots</li> </ul> <p>* PCI_E6 slot will be PCIe 2.0 x1 when installing device in any PCIe x1 slot.</p>
Onboard Graphics	<ul style="list-style-type: none"> <li>• 1x DVI-D port, supporting a maximum resolution of 1920x1200@60Hz, 1600x1200@60Hz*</li> <li>• 1x HDMI™ 1.4 port, supports a maximum resolution of 2560x1600@60Hz*</li> </ul> <p>* Only support when using a 7th Gen A-series/ Athlon™ processors</p>
Multi-GPU	<ul style="list-style-type: none"> <li>• RYZEN series processor               <ul style="list-style-type: none"> <li>▪ Supports 2-Way NVIDIA® SLI™ Technology</li> <li>▪ Supports 3-Way AMD® CrossFire™ Technology</li> </ul> </li> <li>• 7th Gen A-series/ Athlon™ processor               <ul style="list-style-type: none"> <li>▪ Supports 2-Way AMD® CrossFire™ Technology</li> </ul> </li> </ul>
Storage	<p>AMD® X370 Chipset</p> <ul style="list-style-type: none"> <li>• 6x SATA 6Gb/s ports</li> <li>• 1x M.2 port (Key M)               <ul style="list-style-type: none"> <li>▪ Supports PCIe 3.0 x4 (RYZEN series processor) or PCIe 3.0 x2 (7th Gen A-series/ Athlon™ processors) and SATA 6Gb/s 2242/ 2260 /2280/ 22110 storage devices</li> </ul> </li> <li>• Supports RAID 0, RAID 1 and RAID 10</li> </ul>

Continued on next page

Continued from previous page

USB	<ul style="list-style-type: none"><li>• ASMedia® ASM2142 Chipset<ul style="list-style-type: none"><li>▪ 1x USB 3.1 Gen2 (SuperSpeed USB 10Gbps) Type-C port on the back panel</li><li>▪ 1x USB 3.1 Gen2 (SuperSpeed USB 10Gbps) Type-A port on the back panel</li></ul></li><li>• AMD® X370 Chipset<ul style="list-style-type: none"><li>▪ 4x USB 3.1 Gen1 (SuperSpeed USB) ports available through the internal USB connectors</li><li>▪ 6x USB 2.0 (High-speed USB) ports (2 Type-A ports on the back panel, 4 ports available through the internal USB connectors)</li></ul></li><li>• AMD® CPU<ul style="list-style-type: none"><li>▪ 4x USB 3.1 Gen1 (SuperSpeed USB) Type-A ports on the back panel</li></ul></li></ul>
Audio	<ul style="list-style-type: none"><li>• Realtek® ALC892 Codec</li><li>• 7.1-Channel High Definition Audio</li></ul>
LAN	<ul style="list-style-type: none"><li>• 1x Realtek® 8111H Gigabit LAN controller</li></ul>
Back Panel Connectors	<ul style="list-style-type: none"><li>• 1x PS/2 keyboard/ mouse combo port</li><li>• 2x USB 2.0 Type-A ports</li><li>• 1x DVI-D port</li><li>• 1x HDMI™ 1.4 port</li><li>• 1x LAN (RJ45) port</li><li>• 4x USB 3.1 Gen1 Type-A ports</li><li>• 1x USB 3.1 Gen2 Type-A port</li><li>• 1x USB 3.1 Gen2 Type-C port</li><li>• 6x audio jacks</li></ul>

Continued on next page

Continued from previous page

Internal Connectors	<ul style="list-style-type: none"><li>• 1x 24-pin ATX 12V power connector</li><li>• 1x 8-pin ATX 12V power connector</li><li>• 6x SATA 6Gb/s connectors</li><li>• 2x USB 2.0 connectors (support additional 4 USB 2.0 ports)</li><li>• 2x USB 3.1 Gen1 connectors (support additional 4 USB 3.1 Gen1 ports)</li><li>• 1x 4-pin CPU fan connector</li><li>• 1x 4-pin PUMP fan connector (supports up to 2A)</li><li>• 4x 4-pin system fan connectors</li><li>• 1x RGB LED connector</li><li>• 1x TPM module connector</li><li>• 1x Serial port connector</li><li>• 1x Parallel port connector</li><li>• 1x Front panel audio connector</li><li>• 2x System panel connectors</li><li>• 1x Chassis Intrusion connector</li><li>• 1x Clear CMOS jumper</li></ul>
I/O Controller	NUVOTON NCT6795D Controller Chip
Hardware Monitor	<ul style="list-style-type: none"><li>• CPU/System temperature detection</li><li>• CPU/System fan speed detection</li><li>• CPU/System fan speed control</li></ul>
Form Factor	<ul style="list-style-type: none"><li>• ATX Form Factor</li><li>• 12 in. x 9.6 in. (30.4 cm x 24.3 cm)</li></ul>
BIOS Features	<ul style="list-style-type: none"><li>• 1x 128 Mb flash</li><li>• UEFI AMI BIOS</li><li>• ACPI 5.0, PnP 1.0a, SM BIOS 2.8</li><li>• Multi-language</li></ul>

Continued on next page

Continued from previous page

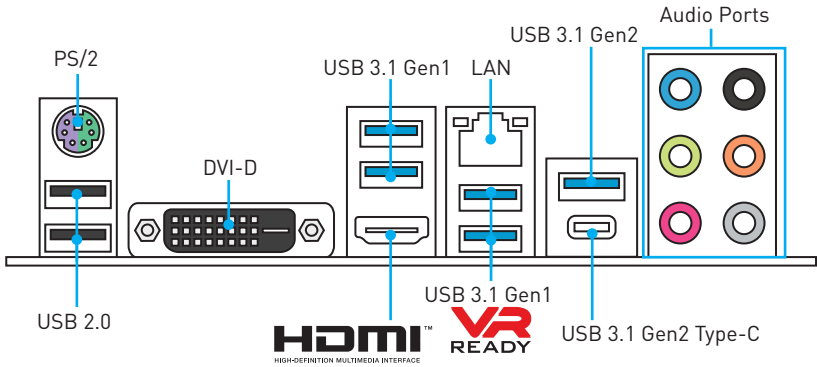
Software	<ul style="list-style-type: none"><li>• Drivers</li><li>• COMMAND CENTER</li><li>• LIVE UPDATE 6</li><li>• SUPER CHARGER</li><li>• GAMING APP</li><li>• RAMDISK</li><li>• X-BOOST</li><li>• MSI SMART TOOL</li><li>• GAMING LAN MANAGER</li><li>• Nahimic 2</li><li>• Norton™ Internet Security Solution</li><li>• Google Chrome™, Google Toolbar, Google Drive</li><li>• SteelSeries Engine 3</li><li>• CPU-Z MSI GAMING</li><li>• DRAGON EYE</li></ul>
----------	--

Continued on next page

Continued from previous page

Special Features	<ul style="list-style-type: none"><li>• VR Boost</li><li>• Audio Boost</li><li>• Nahimic 2</li><li>• GAMING LAN with Gaming LAN Manager</li><li>• Turbo M.2</li><li>• Pump Fan</li><li>• Smart Fan Control</li><li>• Gaming DNA with bottom LED</li><li>• Mystic light SYNC</li><li>• EZ debug LED</li><li>• PCI-E Steel Armor with Hydro Dip Paint</li><li>• M.2 Steel Armor</li><li>• Golden Plated USB with type A+C</li><li>• Multi GPU – SLI Technology</li><li>• Multi GPU – CrossFire Technology</li><li>• DDR4 Boost</li><li>• GAME Boost</li><li>• Lightning USB</li><li>• Military Class 4</li><li>• 7000+ Quality Test</li><li>• GAMING HOTKEY</li><li>• GAMING MOUSE Control</li><li>• Click BIOS 5</li><li>• AMD FreeSync™ Ready</li><li>• AMD OverDrive™ Ready</li><li>• GAMING Certified</li><li>• SteelSeries Certified</li><li>• WTFast GPN*<ul style="list-style-type: none"><li>▪ 2-Month Premium License</li><li>▪ Multi-Server Network Optimization</li><li>▪ Advanced Lag Spike &amp; Disconnect Reduction</li></ul></li></ul> <p>* This offer is valid for a limited period only, for more information please visit <a href="http://www.msi.com">www.msi.com</a></p>
------------------	---

# Rear I/O Panel



## LAN Port LED Status Table

Link/ Activity LED	
Status	Description
Off	No link
Yellow	Linked
Blinking	Data activity

Speed LED	
Status	Description
Off	10 Mbps connection
Green	100 Mbps connection
Orange	1 Gbps connection

## Audio Ports Configuration

Audio Ports	Channel			
	2	4	6	8
Line-In				
Line-Out/ Front Speaker Out	●	●	●	●
Mic In				
Rear Speaker Out		●	●	●
Center/ Subwoofer Out			●	●
Side Speaker Out				●

(●: connected, **Blank**: empty)

## Realtek HD Audio Manager

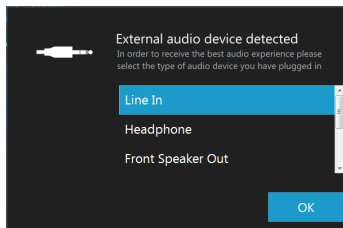
After installing the **Realtek HD Audio** driver, the **Realtek HD Audio Manager** icon will appear in the system tray. Double click on the icon to launch.



- **Device Selection** - allows you to select a audio output source to change the related options. The **check** sign indicates the devices as default.
- **Application Enhancement** - the array of options will provide you a complete guidance of anticipated sound effect for both output and input device.
- **Main Volume** - controls the volume or balance the right/left side of the speakers that you plugged in front or rear panel by adjust the bar.
- **Profiles** - toggles between profiles.
- **Advanced Settings** - provides the mechanism to deal with 2 independent audio streams.
- **Jack Status** - depicts all render and capture devices currently connected with your computer.
- **Connector Settings** - configures the connection settings.

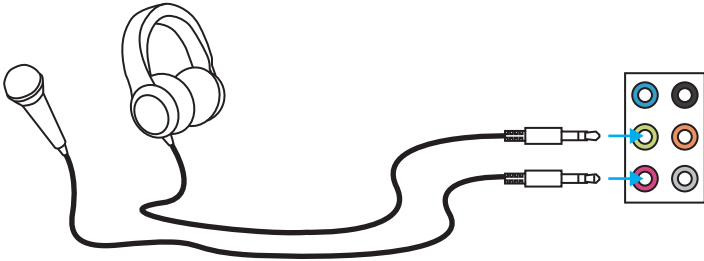
### Auto popup dialog

When you plug into a device at an audio jack, a dialogue window will pop up asking you which device is current connected.

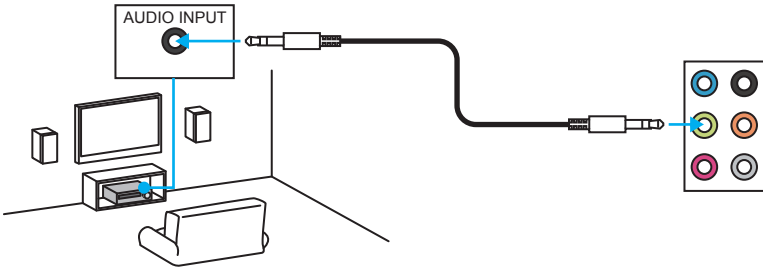


Each jack corresponds to its default setting as shown on the next page.

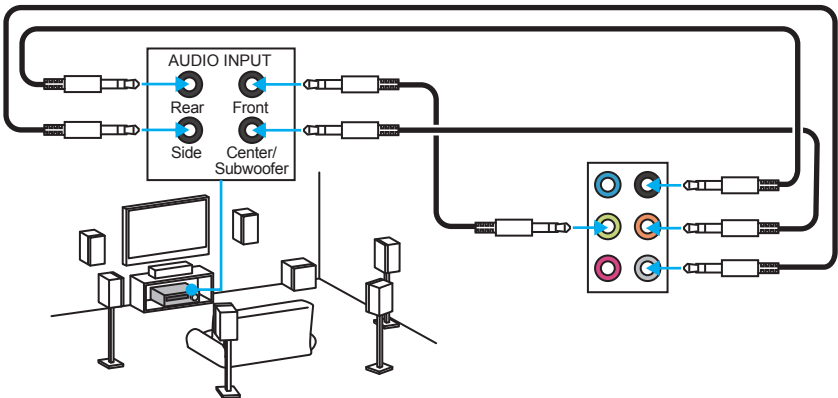
### Audio jacks to headphone and microphone diagram



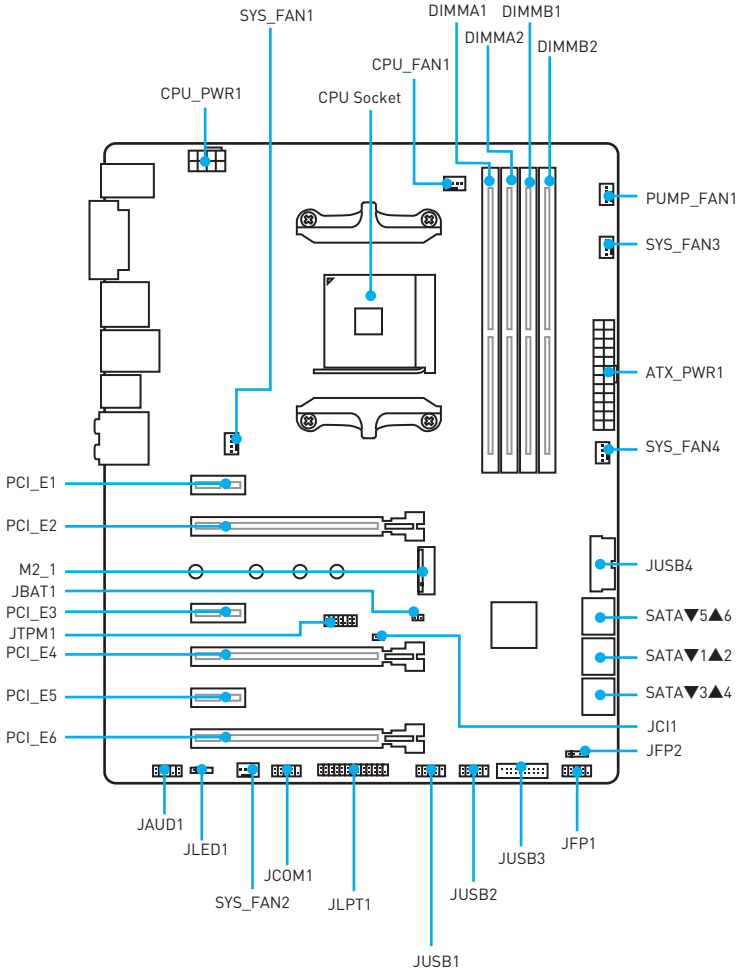
### Audio jacks to stereo speakers diagram



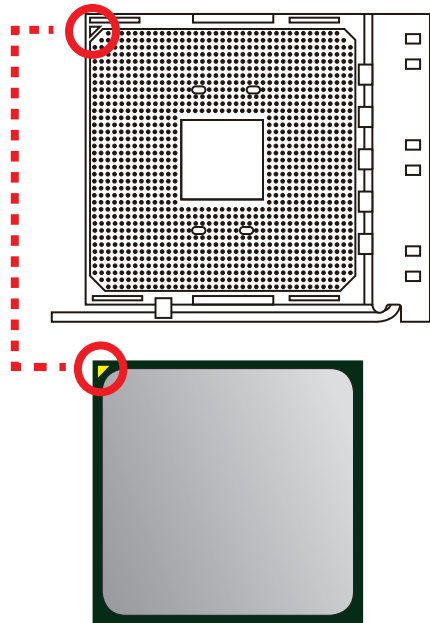
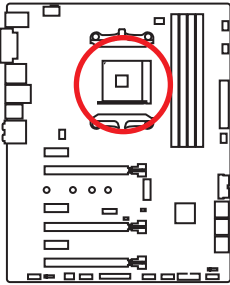
### Audio jacks to 7.1-channel speakers diagram



# Overview of Components



## CPU Socket



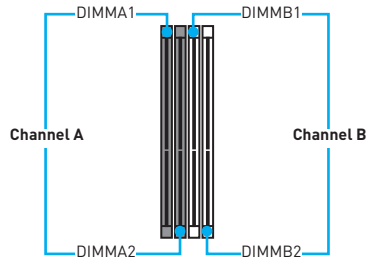
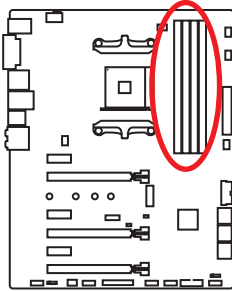
### Introduction to the AM4 CPU

The surface of the AM4 CPU has a yellow triangle to assist in correctly lining up the CPU for motherboard placement. The yellow triangle is the Pin 1 indicator.

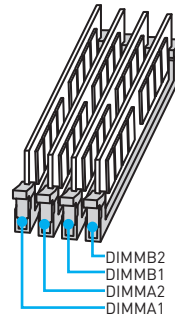
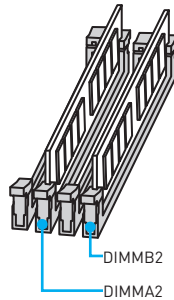
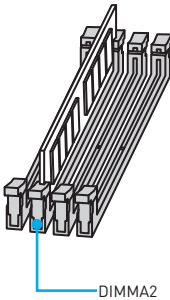
### **Important**

- When changing the processor, the system configuration could be cleared and reset BIOS to default values, due to the AM4 processor's architecture.
- Always unplug the power cord from the power outlet before installing or removing the CPU.
- When installing a CPU, always remember to install a CPU heatsink. A CPU heatsink is necessary to prevent overheating and maintain system stability.
- Confirm that the CPU heatsink has formed a tight seal with the CPU before booting your system.
- Overheating can seriously damage the CPU and motherboard. Always make sure the cooling fans work properly to protect the CPU from overheating. Be sure to apply an even layer of thermal paste (or thermal tape) between the CPU and the heatsink to enhance heat dissipation.
- If you purchased a separate CPU and heatsink/ cooler, Please refer to the documentation in the heatsink/ cooler package for more details about installation.
- This motherboard is designed to support overclocking. Before attempting to overclock, please make sure that all other system components can tolerate overclocking. Any attempt to operate beyond product specifications is not recommended. MSI® does not guarantee the damages or risks caused by inadequate operation beyond product specifications.

## DIMM Slots



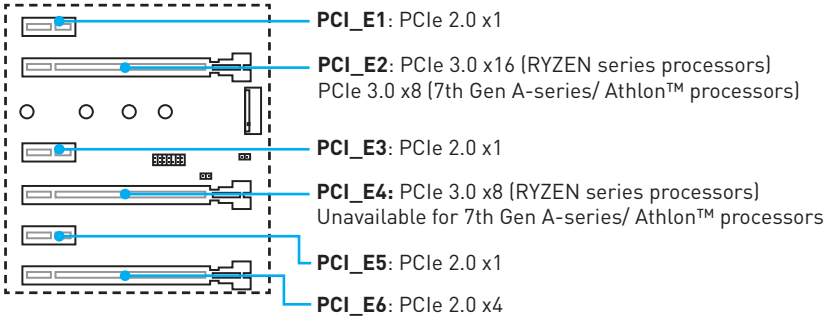
## Memory module installation recommendation



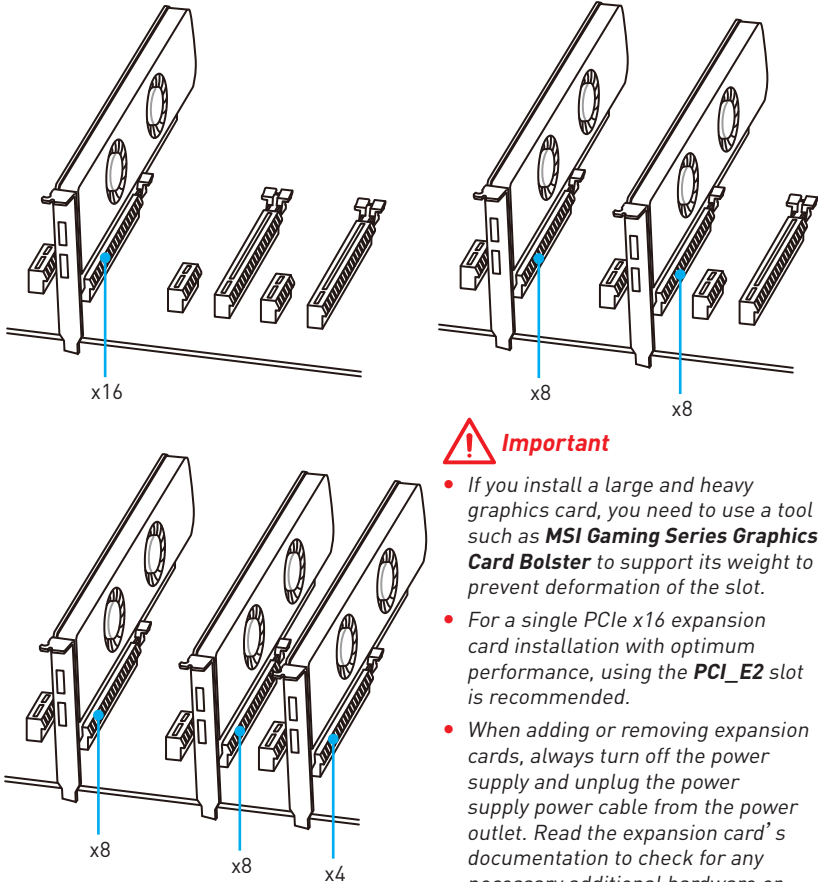
### Important

- Always insert memory modules in the **DIMMA2** slot first.
- Due to chipset resource usage, the available capacity of memory will be a little less than the amount of installed.
- Based on the processor specification, the Memory DIMM voltage below 1.35V is suggested to protect the processor.
- Some memory modules may operate at a lower frequency than the marked value when overclocking due to the memory frequency operates dependent on its Serial Presence Detect (SPD). Go to BIOS and find the **DRAM Frequency** to set the memory frequency if you want to operate the memory at the marked or at a higher frequency.
- It is recommended to use a more efficient memory cooling system for full DIMMs installation or overclocking.
- The stability and compatibility of installed memory module depend on installed CPU and devices when overclocking.
- Due to AM4 CPU/memory controller official specification limitation, the frequency of memory modules may operate lower than the marked value under the default state. Please refer [www.msi.com](http://www.msi.com) for more information on compatible memory.

## PCI\_E1~6: PCIe Expansion Slots



### Multiple graphics cards installation recommendation (RYZEN series processors)



#### Important

- If you install a large and heavy graphics card, you need to use a tool such as **MSI Gaming Series Graphics Card Bolster** to support its weight to prevent deformation of the slot.
- For a single PCIe x16 expansion card installation with optimum performance, using the **PCI\_E2** slot is recommended.
- When adding or removing expansion cards, always turn off the power supply and unplug the power supply power cable from the power outlet. Read the expansion card's documentation to check for any necessary additional hardware or software changes.

## PCIe bandwidth table

### For RYZEN series processors

Slot	Single		2-Way		3-Way
PCI_E1	—	Gen 2.0 x 1	—	Gen 2.0 x 1	—
PCI_E2	Gen 3.0 x 16*	Gen 3.0 x 16*	Gen 3.0 x 8*	Gen 3.0 x 8*	Gen 3.0 x 8*
PCI_E3	—	Gen 2.0 x 1	—	Gen 2.0 x 1	—
PCI_E4	—	—	Gen 3.0 x 8*	Gen 3.0 x 8*	Gen 3.0 x 8*
PCI_E5	—	Gen 2.0 x 1	—	Gen 2.0 x 1	—
PCI_E6	Gen 2.0 x 4	Gen 2.0 x 1	Gen 2.0 x 4	Gen 2.0 x 1	Gen 2.0 x 4*
M2_1	Gen 3.0 x 4	Gen 3.0 x 4	Gen 3.0 x 4	Gen 3.0 x 4	Gen 3.0 x 4

(—: empty, \*: graphics card)

### For 7th Gen A-series/ Athlon™ processors

Slot	Single		2-Way
PCI_E1	—	Gen 2.0 x 1	—
PCI_E2	Gen 3.0 x 8*	Gen 3.0 x 8*	Gen 3.0 x 8*
PCI_E3	—	Gen 2.0 x 1	—
PCI_E4	—	—	—
PCI_E5	—	Gen 2.0 x 1	—
PCI_E6	Gen 2.0 x 4	Gen 2.0 x 1	Gen 2.0 x 4*
M2_1	Gen 3.0 x 2	Gen 3.0 x 2	Gen 3.0 x 2

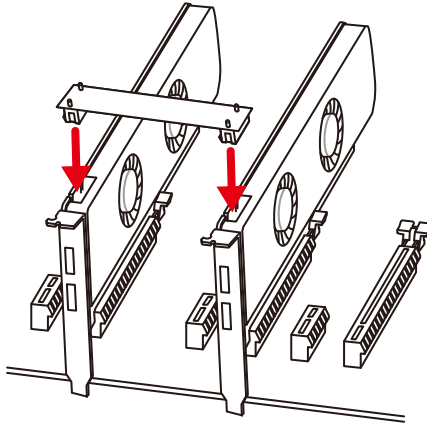
(—: empty, \*: graphics card)

## Installing SLI graphics cards

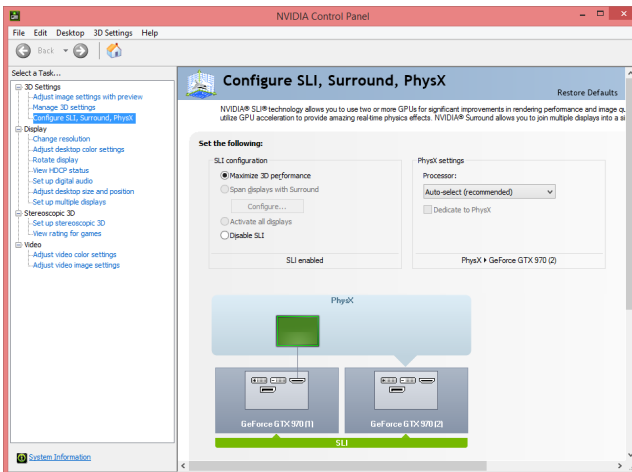
For power supply recommendations for SLI configurations, please refer to the user guide of your graphics card to make sure you meet all the system requirements.

To install SLI graphics cards:

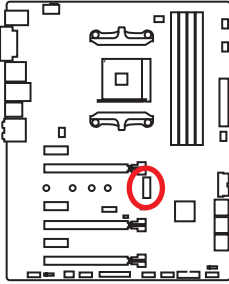
1. Turn off your computer and disconnect the power cord, install two graphics cards into the **PCI\_E2** and **PCI\_E4** slots.
2. Connect the two cards together using the **SLI Bridge Connector**.



3. Connect all PCIe power connectors of the graphics cards.
4. Reconnect the power cord, power up the computer and install the drivers and software included in your graphics card package.
5. Right-click the Windows desktop and select **NVIDIA Control Panel** from the menu, click on **Configure SLI, Surround, PhysX** in the left task pane and select **Maximize 3D performance** in the SLI configuration menu, and then click **Apply**.



## M2\_1: M.2 Slot (Key M)



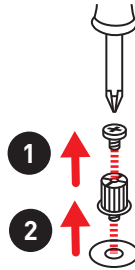
### Video Demonstration

Watch the video to learn how to use M.2 Shield.

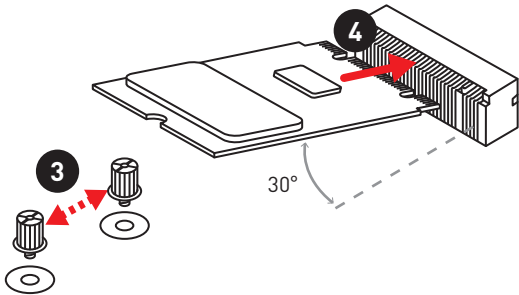
[https://youtu.be/b-N28ajX\\_C4](https://youtu.be/b-N28ajX_C4)

## Installing M.2 module

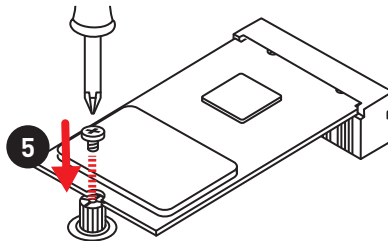
1. Remove the screw from the base screw.
2. Remove the base screw.



3. Tighten the base screw into the hole of the distance to the M.2 slot as the length your M.2 module.
4. Insert your M.2 module into the M.2 slot at a 30-degree angle.

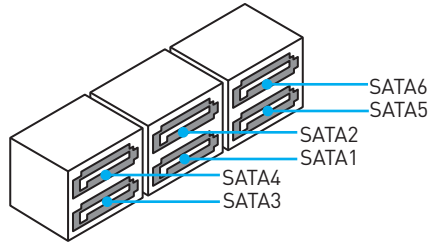
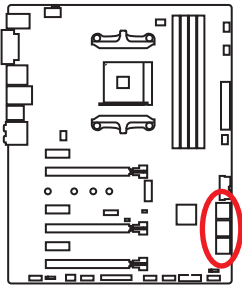


5. Put the screw in the notch on the trailing edge of your M.2 module and tighten it into the base screw.



## SATA1~6: SATA 6Gb/s Connectors

These connectors are SATA 6Gb/s interface ports. Each connector can connect to one SATA device.

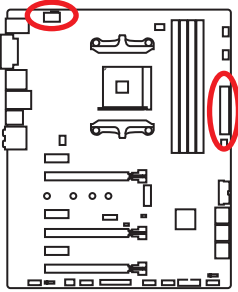



### **Important**

- Please do not fold the SATA cable at a 90-degree angle. Data loss may result during transmission otherwise.
- SATA cables have identical plugs on either sides of the cable. However, it is recommended that the flat connector be connected to the motherboard for space saving purposes.

## CPU\_PWR1, ATX\_PWR1: Power Connectors

These connectors allow you to connect an ATX power supply.



 CPU_PWR1			
1	Ground	5	+12V
2	Ground	6	+12V
3	Ground	7	+12V
4	Ground	8	+12V

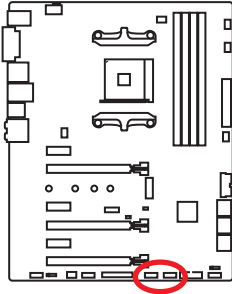
 ATX_PWR1			
1	+3.3V	13	+3.3V
2	+3.3V	14	-12V
3	Ground	15	Ground
4	+5V	16	PS-ON#
5	Ground	17	Ground
6	+5V	18	Ground
7	Ground	19	Ground
8	PWR OK	20	Res
9	5VSB	21	+5V
10	+12V	22	+5V
11	+12V	23	+5V
12	+3.3V	24	Ground

### Important

Make sure that all the power cables are securely connected to a proper ATX power supply to ensure stable operation of the motherboard.

## JUSB1~2: USB 2.0 Connectors

These connectors allow you to connect USB 2.0 ports on the front panel.



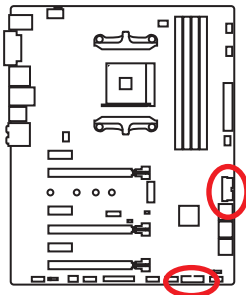
1	VCC	2	VCC
3	USB0-	4	USB1-
5	USB0+	6	USB1+
7	Ground	8	Ground
9	No Pin	10	NC

### Important

- Note that the VCC and Ground pins must be connected correctly to avoid possible damage.
- In order to recharge your iPad, iPhone and iPod through USB ports, please install MSI® SUPER CHARGER utility.

## JUSB3~4: USB 3.1 Gen1 Connectors

These connectors allow you to connect USB 3.1 Gen1 ports on the front panel.



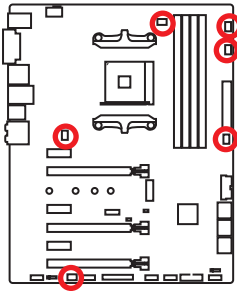
1	Power	11	USB2.0+
2	USB3_RX_DN	12	USB2.0-
3	USB3_RX_DP	13	Ground
4	Ground	14	USB3_TX_C_DP
5	USB3_TX_C_DN	15	USB3_TX_C_DN
6	USB3_TX_C_DP	16	Ground
7	Ground	17	USB3_RX_DP
8	USB2.0-	18	USB3_RX_DN
9	USB2.0+	19	Power
10	NC	20	No Pin

### Important

Note that the Power and Ground pins must be connected correctly to avoid possible damage.

## CPU\_FAN1, PUMP\_FAN1, SYS\_FAN1~4: Fan Connectors

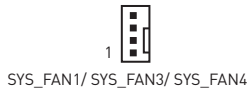
Fan connectors can be classified as PWM (Pulse Width Modulation) Mode or DC Mode. PWM Mode fan connectors provide constant 12V output and adjust fan speed with speed control signal. DC Mode fan connectors control fan speed by changing voltage. When you plug a 3-pin (Non-PWM) fan to a fan connector in PWM mode, the fan speed will always maintain at 100%, which might create a lot of noise. You can follow the instruction below to adjust the fan connector to PWM or DC Mode.



### Default PWM Mode fan connectors



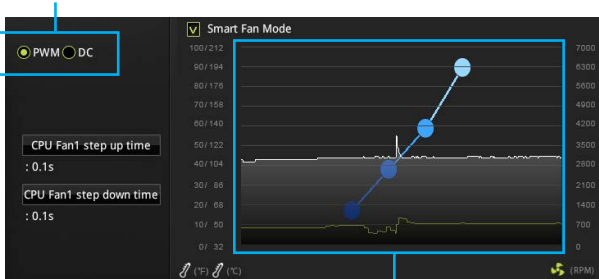
### Default DC Mode fan connectors



## Switching fan mode and adjusting fan speed

You can switch between PWM mode and DC mode and adjust fan speed in **BIOS > HARDWARE MONITOR**.

Select **PWM** mode or **DC** mode



There are gradient points of the fan speed that allow you to adjust fan speed in relation to CPU temperature.



Make sure fans are working properly after switching the PWM/ DC mode.

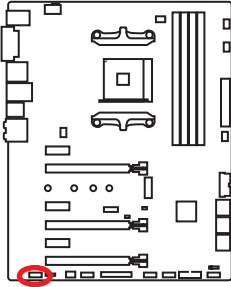
## Pin definition of fan connectors

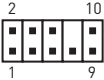
PWM Mode pin definition			
1	Ground	2	+12V
3	Sense	4	Speed Control Signal

DC Mode pin definition			
1	Ground	2	Voltage Control
3	Sense	4	NC

## JAUD1: Front Audio Connector

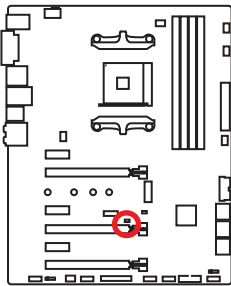
This connector allows you to connect audio jacks on the front panel.



			
1	MIC L	2	Ground
3	MIC R	4	NC
5	Head Phone R	6	MIC Detection
7	SENSE_SEND	8	No Pin
9	Head Phone L	10	Head Phone Detection

## JCI1: Chassis Intrusion Connector

This connector allows you to connect the chassis intrusion switch cable.



Normal  
(default)



Trigger the chassis  
intrusion event

### Using chassis intrusion detector

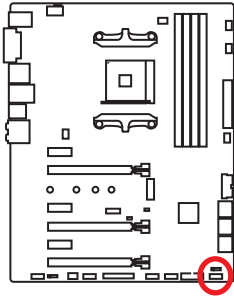
1. Connect the **JCI1** connector to the chassis intrusion switch/ sensor on the chassis.
2. Close the chassis cover.
3. Go to **BIOS > Settings > Security > Chassis Intrusion Configuration**.
4. Set **Chassis Intrusion** to **Enabled**.
5. Press **F10** to save and exit and then press the **Enter** key to select **Yes**.
6. Once the chassis cover is opened again, a warning message will be displayed on screen when the computer is turned on.

### Resetting the chassis intrusion warning

1. Go to **BIOS > Settings > Security > Chassis Intrusion Configuration**.
2. Set **Chassis Intrusion** to **Reset**.
3. Press **F10** to save and exit and then press the **Enter** key to select **Yes**.

## JFP1, JFP2: Front Panel Connectors

These connectors connect to the switches and LEDs on the front panel.

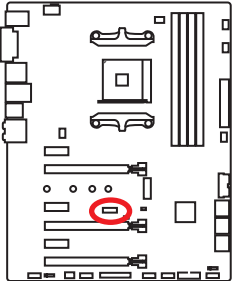


1	HDD LED +	2	Power LED +
3	HDD LED -	4	Power LED -
5	Reset Switch	6	Power Switch
7	Reset Switch	8	Power Switch
9	Reserved	10	No Pin

1	Speaker -	2	Buzzer +
3	Buzzer -	4	Speaker +

## JTPM1: TPM Module Connector

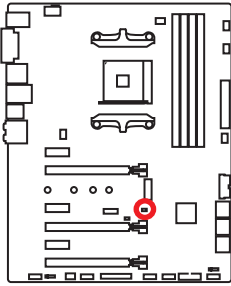
This connector is for TPM (Trusted Platform Module). Please refer to the TPM security platform manual for more details and usages.



1	LPC Clock	2	3V Standby power
3	LPC Reset	4	3.3V Power
5	LPC address & data pin0	6	Serial IRQ
7	LPC address & data pin1	8	5V Power
9	LPC address & data pin2	10	No Pin
11	LPC address & data pin3	12	Ground
13	LPC Frame	14	Ground

## JBAT1: Clear CMOS (Reset BIOS) Jumper

There is CMOS memory onboard that is external powered from a battery located on the motherboard to save system configuration data. If you want to clear the system configuration, set the jumpers to clear the CMOS memory.



Keep Data  
(default)



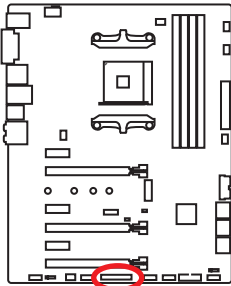
Clear CMOS/  
Reset BIOS

### Resetting BIOS to default values

1. Power off the computer but **DO NOT** unplug the power cord (system under S5/ Soft-off mode)
2. Use a jumper cap to short JBAT1 for about 5-10 seconds.
3. Remove the jumper cap from JBAT1.
4. Power on the computer.

## JLPT1: Parallel Port Connector

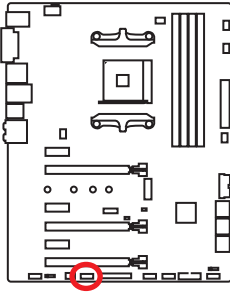
This connector allows you to connect the optional parallel port with bracket.



1	RSTB#	2	AFD#	3	PRND0
4	ERR#	5	PRND1	6	PINIT#
7	PRND2	8	LPT_SLIN#	9	PRND3
10	Ground	11	PRND4	12	Ground
13	PRND5	14	Ground	15	PRND6
16	Ground	17	PRND7	18	Ground
19	ACK#	20	Ground	21	BUSY
22	Ground	23	PE	24	Ground
25	SLCT	26	No Pin		

## JCOM1: Serial Port Connector

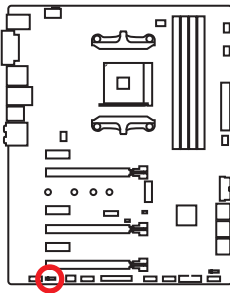
This connector allows you to connect the optional serial port with bracket.



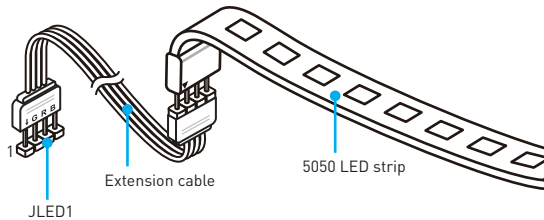
1	DCD	2	SIN
3	SOUT	4	DTR
5	Ground	6	DSR
7	RTS	8	CTS
9	RI	10	No Pin

## JLED1: RGB LED connector

These connectors allow you to connect the 5050 RGB LED strips.



1	+12V	2	G
3	R	4	B



### Video Demonstration

Watch the video to learn how to install 5050 RGB LED strips to RGB LED connector.

<https://youtu.be/CqNHyaDzd2Q>

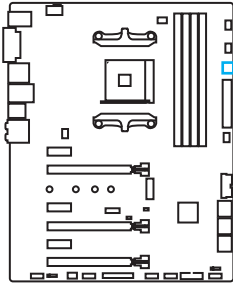
### Important

- This connector supports 5050 multi-color LED strips with the maximum power rating of 3A (12V). Please keeping the LED strip shorter than 2 meters to prevent dimming.
- Always turn off the power supply and unplug the power cord from the power outlet before installing or removing the LED strip.
- Please use GAMING APP to control the extended LED strip.

# Onboard LEDs

## EZ Debug LED

These LEDs indicate the debug status of the motherboard.



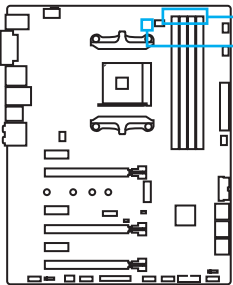
- CPU** - indicates CPU is not detected or fail.
- DRAM** - indicates DRAM is not detected or fail.
- VGA** - indicates GPU is not detected or fail.
- BOOT** - indicates the booting device is not detected or fail.

## DIMM LEDs

These LEDs indicate the memory modules are installed.

## GPU LED

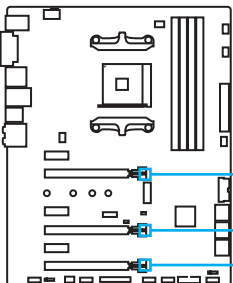
This LED indicates the CPU's iGPU is not detected and you need to install a graphics card.



- DIMM LEDs
- GPU LED

## PCIe x16 slot LEDs

These LEDs indicate the PCIe x16 slots status.



- PCI\_E2 LED
- PCI\_E4 LED
- PCI\_E6 LED

LED Color	PCIe slot status
Red	x16 mode
White	x8, x4, x1 mode

# BIOS Setup

The default settings offer the optimal performance for system stability in normal conditions. You should **always keep the default settings** to avoid possible system damage or failure booting unless you are familiar with BIOS.

## **Important**

- *BIOS items are continuously update for better system performance. Therefore, the description may be slightly different from the latest BIOS and should be for reference only. You could also refer to the **HELP** information panel for BIOS item description.*
- *The pictures in this chapter are for reference only and may vary from the product you purchased.*

## Entering BIOS Setup

Press **Delete** key, when the **Press DEL key to enter Setup Menu, F11 to enter Boot Menu** message appears on the screen during the boot process.

### Function key

- F1:** General Help
- F2:** Add/ Remove a favorite item
- F3:** Enter Favorites menu
- F4:** Enter CPU Specifications menu
- F5:** Enter Memory-Z menu
- F6:** Load optimized defaults
- F7:** Switch between Advanced mode and EZ mode
- F8:** Load Overclocking Profile
- F9:** Save Overclocking Profile
- F10:** Save Change and Reset\*
- F12:** Take a screenshot and save it to USB flash drive (FAT/ FAT32 format only).

\* When you press F10, a confirmation window appears and it provides the modification information. Select between Yes or No to confirm your choice.

## Resetting BIOS

You might need to restore the default BIOS setting to solve certain problems. There are several ways to reset BIOS:

- Go to BIOS and press **F6** to load optimized defaults.
- Short the **Clear CMOS** jumper on the motherboard.



### **Important**

*Be sure the computer is off before clearing CMOS data. Please refer to the **Clear CMOS** jumper section for resetting BIOS.*

## Updating BIOS

### Updating BIOS with M-FLASH

Before updating:

Please download the latest BIOS file that matches your motherboard model from MSI website. And then save the BIOS file into the USB flash drive.

Updating BIOS:

1. Press Del key to enter the BIOS Setup during POST.
2. Insert the USB flash drive that contains the update file into the computer.
3. Select the **M-FLASH** tab and click on **Yes** to reboot the system and enter the flash mode.
4. Select a BIOS file to perform the BIOS update process.
5. After the flashing process is 100% completed, the system will reboot automatically.

### Updating the BIOS with Live Update 6

Before updating:

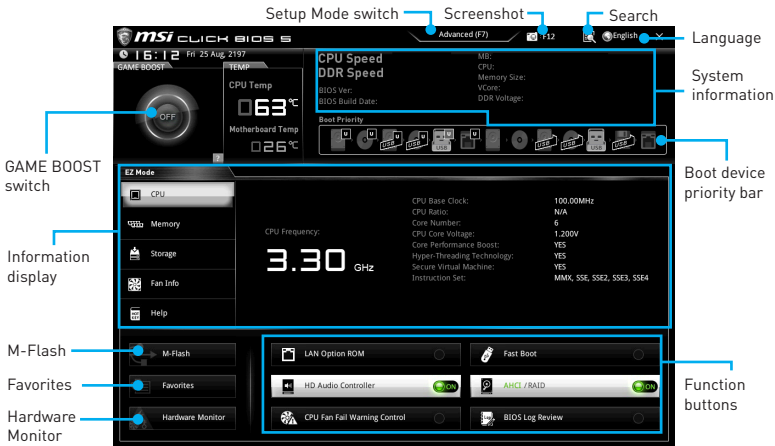
Make sure the LAN driver is already installed and the Internet connection is set properly.

Updating BIOS:

1. Install and launch MSI LIVE UPDATE 6.
2. Select **BIOS Update**.
3. Click on **Scan** button.
4. Click on **Download** icon to download and install the latest BIOS file.
5. Click **Next** and choose **In Windows mode**. And then click **Next** and **Start** to start updating BIOS.
6. After the flashing process is 100% completed, the system will restart automatically.

## EZ Mode

At EZ mode, it provides the basic system information and allows you to configure the basic setting. To configure the advanced BIOS settings, please enter the Advanced Mode by pressing the **Setup Mode switch** or **F7** function key.



- **GAME BOOST switch** - click on it to toggle the GAME BOOST for OC.

### **Important**

Please don't make any changes in OC menu and don't load defaults to keep the optimal performance and system stability after activating the GAME Boost function.

- **Setup Mode switch** - press this tab or the **F7** key to switch between Advanced mode and EZ mode.
- **Screenshot** - click on this tab or the **F12** key to take a screenshot and save it to USB flash drive (FAT/ FAT32 format only).
- **Search** - click on this tab or the **Ctrl+F** keys and the search page will show. It allows you to search by BIOS item name, enter the item name to find the item listing. Move the mouse over a blank space and right click the mouse to exit search page.

### **Important**

In search page, only the F6, F10 and F12 function keys are available.

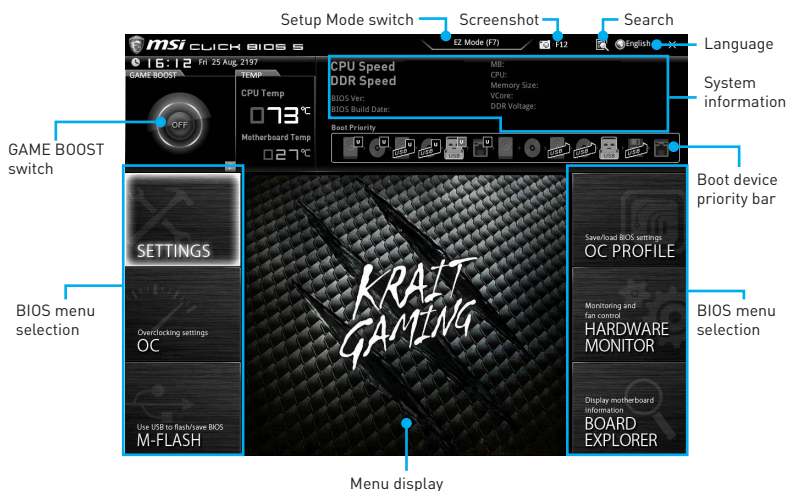
- **Language** - allows you to select the language of BIOS setup.
- **System information** - shows the CPU/ DDR speed, CPU/ MB temperature, MB/ CPU type, memory size, CPU/ DDR voltage, BIOS version and build date.
- **Boot device priority bar** - you can move the device icons to change the boot priority. The boot priority from high to low is left to right.
- **Information display** - click on the **CPU**, **Memory**, **Storage**, **Fan Info** and **Help** buttons on left side to display related information.
- **Function buttons** - enable or disable the **LAN Option ROM**, **HD audio controller**, **AHCI/RAID**, **CPU Fan Fail Warning Control** and **BIOS Log Review** by clicking on their respective button.

## **Important**

- During windows setup, the RAID driver may be required and you can find the RAID driver in MSI Driver Disc.
- You can use **MSI SMART TOOL** to build the Windows® 7/ 10 installation drive that includes RAID driver.
- If your system currently boots to M.2 SSD RAID and you delete the RAID volume in the UEFI BIOS, your system will become un-bootable.
- **M-Flash** - click on this button to display the **M-Flash** menu that provides the way to update BIOS with a USB flash drive.
- **Hardware Monitor** - click on this button to display the **Hardware Monitor** menu that allows you to manually control the fan speed by percentage.
- **Favorites** - press the **Favorites** tab or the **F3** key to enter **Favorites** menu. It allows you to create personal BIOS menu where you can save and access favorite/ frequently-used BIOS setting items.
  - **Default HomePage** - allows you to select a BIOS menu (e.g. SETTINGS, OC...,etc) as the BIOS home page.
  - **Favorite1~5** - allows you to add the frequently-used/ favorite BIOS setting items in one page.
  - **To add a BIOS item to a favorite page (Favorite 1~5)**
    1. Move the mouse over a BIOS item not only on BIOS menu but also on search page.
    2. Right-click or press **F2** key.
    3. Choose a favorite page and click on **OK**.
  - **To delete a BIOS item from favorite page**
    1. Move the mouse over a BIOS item on favorite page (Favorite 1~5)
    2. Right-click or press **F2** key.
    3. Choose **Delete** and click on **OK**.

## Advanced Mode

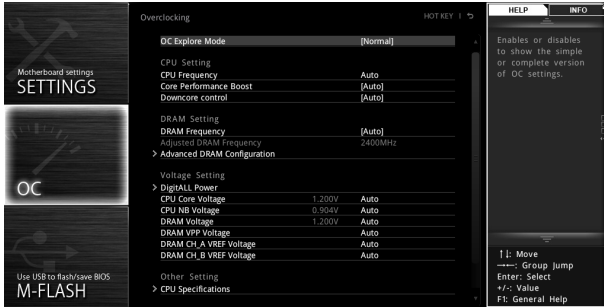
Press **Setup Mode switch** or **F7** function key can switch between EZ Mode and Advanced Mode in BIOS setup.



- **GAME BOOST switch/ Setup Mode switch/ Screenshot/ Favorites/ Language/ System information/ Boot device priority bar** - please refer to the descriptions of EZ Mode Overview section.
- **BIOS menu selection** - the following options are available:
  - **SETTINGS** - allows you to specify the parameters for chipset and boot devices.
  - **OC** - allows you to adjust the frequency and voltage. Increasing the frequency may get better performance.
  - **M-FLASH** - provides the way to update BIOS with a USB flash drive.
  - **OC PROFILE** - allows you to manage overclocking profiles.
  - **HARDWARE MONITOR** - allows you to set the speeds of fans and monitor voltages of system.
  - **BOARD EXPLORER** - provides the information of installed devices on this motherboard.
- **Menu display** - provides BIOS setting items and information to be configured.

## OC Menu

This menu is for advanced users who want to overclock the motherboard.



### **Important**

- *Overclocking your PC manually is only recommended for advanced users.*
- *Overclocking is not guaranteed, and if done improperly, it could void your warranty or severely damage your hardware.*

#### ▶ **OC Explore Mode [Normal]**

Enables or disables to show the normal or expert version of OC settings.

[Normal] Provides the regular OC settings in BIOS setup.

[Expert] Provides the advanced OC settings for OC expert to configure in BIOS setup.

Note: We use \* as the symbol for the OC settings of Expert mode.

#### ▶ **CPU Frequency [Auto]**

Sets the CPU frequency.

#### ▶ **Core Performance Boost [Auto]**

Enables or disables the Core Performance Boost (CPB). This item appears when the installed CPU supports this function.

#### ▶ **Downcore Control [Auto] (optional)**

Sets the number of processor cores to be used. This item appears when the installed CPU supports this function.

#### ▶ **DRAM Frequency [Auto]**

Sets the DRAM frequency. Please note the overclocking behavior is not guaranteed.

#### ▶ **Adjusted DRAM Frequency**

Shows the adjusted DRAM frequency. Read-only.

#### ▶ **Advanced DRAM Configuration**

Press **Enter** to enter the sub-menu. User can set the memory timing for each/ all memory channel. The system may become unstable or unbootable after changing memory timing. If it occurs, please clear the CMOS data and restore the default settings. (Refer to the Clear CMOS jumper/ button (optional) section to clear the CMOS data, and enter the BIOS to load the default settings.)

## ► DigitALL Power

Press **Enter** to enter the sub-menu. Controls the digital powers related to CPU PWM.

### ► CPU Loadline Calibration Control [Auto]

The CPU voltage will decrease proportionally according to CPU loading. Higher load-line calibration could get higher voltage and good overclocking performance, but increase the temperature of the CPU and VRM. If set to **Auto**, BIOS will configure this setting automatically.

### ► CPU NB Loadline Calibration Control [Auto]

The CPU-NB voltage will decrease proportionally according to CPU-NB loading. Higher load-line calibration could get higher voltage and good overclocking performance, but increase the temperature. If set to **Auto**, BIOS will configure this setting automatically.

### ► CPU Over Voltage Protection [Auto]

Sets the voltage limit for CPU over-voltage protection. If set to **Auto**, BIOS will configure this setting automatically. Higher voltage provides less protection and may damage the system.

### ► CPU Under Voltage Protection [Auto]

Sets the voltage limit for CPU under-voltage protection. If set to **Auto**, BIOS will configure this setting automatically. Higher voltage provides less protection and may damage the system.

### ► CPU Over Current Protection [Auto]

Sets the current limit for CPU over-current protection. If set to **Auto**, BIOS will configure this setting automatically.

[Auto] This setting will be configured automatically by BIOS.

[Enhanced] Extends the current range for over-current protection.

### ► VR 12VIN OCP Expander [Auto]

Expands the limitation of VR Over Current Protection with 12V input voltage. The higher expanding value indicates less protection. Therefore, please adjust the current carefully if needed, or it may damage the CPU/ VR MOS. If set to "Auto", BIOS will configure this setting automatically.

## ► CPU Voltages control [Auto]

These options allows you to set the voltages related to CPU. If set to **Auto**, BIOS will set these voltages automatically or you can set it manually.

### ► DRAM/PROM Voltages control [Auto]

These options allows you to set the voltages related to memory. If set to **Auto**, BIOS will set these voltages automatically or you can set it manually.

### ► CPU Memory Changed Detect [Enabled]\*

Enables or disables the system to issue a warning message during boot when the CPU or memory has been replaced.

[Enabled] The system will issue a warning message during boot and then you have to load the default settings for new devices.

[Disabled] Disables this function and keeps the current BIOS settings.

### ▶ CPU Specifications

Press **Enter** to enter the sub-menu. This sub-menu displays the information of installed CPU. You can also access this information menu at any time by pressing [F4]. Read only.

#### ▶ CPU Technology Support

Press **Enter** to enter the sub-menu. The sub-menu shows the key features of installed CPU. Read only.

### ▶ MEMORY-Z

Press **Enter** to enter the sub-menu. This sub-menu displays all the settings and timings of installed memory. You can also access this information menu at any time by pressing [F5].

#### ▶ DIMMx Memory SPD

Press **Enter** to enter the sub-menu. The sub-menu displays the information of installed memory. Read only.

### ▶ CPU Features

Press **Enter** to enter the sub-menu.

#### ▶ AMD Cool' n' Quiet [Enabled]

The Cool' n' Quiet technology can effectively and dynamically lower CPU speed and power consumption.

#### ▶ SVM Mode [Disabled]

Enables/ disables the AMD SVM (Secure Virtual Machine) Mode.

#### ▶ Core C6 state [Enabled]

Enables/disables the C6 state.

# Software Description

Please download and update the latest utilities and drivers at [www.msi.com](http://www.msi.com)

## Installing Windows® 7 64-bit/ Windows® 10 64-bit

1. Power on the computer.
2. Insert the Windows® 7/ 10 disc into your optical drive.  
**Note:** Due to chipset limitation, during the Windows 7 installation process, USB optical drives or USB flash drives are not supported. You can use **MSI Smart Tool** to install Windows® 7.
3. Press the **Restart** button on the computer case.
4. Press **F11** key during the computer POST (Power-On Self Test) to get into Boot Menu.
5. Select your optical drive from the Boot Menu.
6. Press any key when screen shows **Press any key to boot from CD or DVD...** message.
7. Follow the instructions on the screen to install Windows® 7/ 10.

## Installing Drivers

1. Start up your computer in Windows® 7/ 10.
2. Insert MSI® Driver Disc into your optical drive.
3. The installer will automatically appear and it will find and list all necessary drivers.
4. Click **Install** button.
5. The software installation will then be in progress, after it has finished it will prompt you to restart.
6. Click **OK** button to finish.
7. Restart your computer.

## Installing Utilities

Before you install utilities, you must complete drivers installation.

1. Insert MSI® Driver Disc into your optical drive.
2. The installer will automatically appear.
3. Click **Utilities** tab.
4. Select the utilities you want to install.
5. Click **Install** button.
6. The utilities installation will then be in progress, after it has finished it will prompt you to restart.
7. Click **OK** button to finish.
8. Restart your computer.

# Inhalt

<b>Sicherheitshinweis</b> .....	<b>3</b>
<b>Spezifikationen</b> .....	<b>4</b>
<b>Rückseite E/A</b> .....	<b>9</b>
LAN Port LED Zustandstabelle .....	9
Konfiguration der Audioanschlüsse .....	9
Realtek HD Audio Manager .....	10
<b>Übersicht der Komponenten</b> .....	<b>12</b>
CPU Socket .....	13
DIMM Steckplätze .....	14
PCI_E1~6: PCIe Erweiterungssteckplätze .....	15
M2_1: M.2 Steckplatz (Key M) .....	18
SATA1~6: SATA 6Gb/s Anschlüsse .....	19
CPU_PWR1, ATX_PWR1: Stromanschlüsse .....	20
JUSB1~2: USB 2.0 Anschlüsse .....	21
JUSB3~4: USB 3.1 Gen1 Anschlüsse .....	21
CPU_FAN1, PUMP_FAN1, SYS_FAN1~4: Stromanschlüsse für Lüfter .....	22
JAUD1: Audioanschluss des Frontpanels .....	23
JCI1: Gehäusekontaktanschluss .....	23
JFP1, JFP2: Frontpanel-Anschlüsse .....	24
JTPM1: TPM Anschluss .....	24
JBAT1: Clear CMOS Steckbrücke (Reset des BIOS) .....	25
JLPT1: Parallele Schnittstelle .....	25
JCOM1: Serieller Anschluss .....	26
JLED1: RGB LED Anschluss .....	26
<b>Onboard-LEDs</b> .....	<b>27</b>
EZ Debug LED .....	27
DIMM LEDs .....	27
GPU LED .....	27
PCIe x16 Steckplatz LEDs .....	27
<b>BIOS-Setup</b> .....	<b>28</b>
Öffnen des BIOS Setups .....	28
Reset des BIOS .....	29
Aktualisierung des BIOS .....	29
EZ Modus .....	30
Erweiterter Modus .....	32
OC Menü .....	33

**Softwarebeschreibung ..... 36**  
Installation von Windows® 7 64-Bit/ Windows®10 64-Bit ..... 36  
Installation von Treibern..... 36  
Installation von Utilities..... 36

# Sicherheitshinweis

- Die im Paket enthaltene Komponenten sind der Beschädigung durch elektrostatischen Entladung (ESD). Beachten Sie bitte die folgenden Hinweise, um die erfolgreichen Computermontage sicherzustellen.
- Stellen Sie sicher, dass alle Komponenten fest angeschlossen sind. Lockere Steckverbindungen können Probleme verursachen, zum Beispiel: Der Computer erkennt eine Komponente nicht oder startet nicht.
- Halten Sie das Motherboard nur an den Rändern fest, und verhindern Sie die Berührung der sensiblen Komponenten.
- Um eine Beschädigung der Komponenten durch elektrostatische Entladung (ESD) zu vermeiden, sollten Sie eines elektrostatischen Armbands während der Handhabung des Motherboards tragen. Wenn kein elektrostatischen Handgelenkband vorhanden ist, sollten Sie Ihre statische Elektrizität ableiten, indem Sie ein anderes Metallobjekt berühren, bevor Sie das Motherboard anfassen.
- Bewahren Sie das Motherboard in einer elektrostatische Abschirmung oder einem Antistatiktuch auf, wenn das Motherboard nicht installiert ist.
- Überprüfen Sie vor dem Einschalten des Computers, dass sich keine losen Schrauben und andere Bauteile auf dem Motherboard oder im Computergehäuse befinden.
- Bitte starten Sie den Computer nicht, bevor die Installation abgeschlossen ist. Dies könnte permanente Schäden an den Komponenten sowie zu das Verletzung des Benutzers verursachen.
- Sollten Sie Hilfe bei der Installation benötigen, wenden Sie sich bitte an einen zertifizierten Computer-Techniker.
- Schalten Sie die Stromversorgung aus und ziehen Sie das das Stromkabel ab, bevor Sie jegliche Computer-Komponente ein- und ausbauen.
- Bewahren Sie die Bedienungsanleitung als künftige Referenz auf.
- Halten Sie das Motherboard von Feuchtigkeit fern.
- Bitte stellen Sie sicher, dass Ihre Netzspannung den Hinweisen auf dem Netzteil vor Anschluss des Netzteils an die Steckdose entspricht.
- Verlegen Sie das Netzkabel so, dass niemand versehentlich darauf treten kann. Stellen Sie nichts auf dem Netzkabel ab.
- Alle Achtungs- und Warnhinweise auf dem Motherboard müssen befolgt werden.
- Falls einer der folgenden Umstände eintritt, lassen Sie bitte das Motherboard von Kundendienstpersonal prüfen:
  - Flüssigkeit ist in dem Computer eingedrungen.
  - Das Motherboard wurde Feuchtigkeit ausgesetzt.
  - Das Motherboard funktioniert nicht richtig oder Sie können es nicht wie in der Bedienungsanleitung beschrieben bedienen.
  - Das Motherboard ist heruntergefallen und beschädigt.
  - Das Motherboard weist offensichtlich Zeichen eines Schadens auf.
- Nutzen und lagern Sie das Gerät nicht an Stellen, an denen Temperaturen von mehr als 60°C herrschen - das Motherboard kann in diesem Fall Schaden nehmen.

# Spezifikationen

CPU	Unterstützt AMD® RYZEN Serie Prozessoren und A-Serie/ Athlon™ der 7. Generation Prozessoren für Socket AM4
Chipsatz	AMD® X370 Chipsatz
Speicher	<ul style="list-style-type: none"> <li>• 4x DDR4 Speicherplätze, aufrüstbar bis 64GB             <ul style="list-style-type: none"> <li>▪ Unterstützt DDR4 1866/ 2133/ 2400/ 2667(OC)/ 2933(OC)/ 3200(OC)+ Mhz *</li> </ul> </li> <li>• Dual-Kanal-Speicherarchitektur</li> <li>• Unterstützt non-ECC UDIMM-Speicher</li> <li>• Unterstützt ECC UDIMM-Speicher (non-ECC Modus)</li> </ul> <p>* A-Serie/ Athlon™ der 7. Generation Prozessoren unterstützen nur bis zu 2400 MHz. Weitere Informationen zu kompatiblen Speicher finden Sie unter: <a href="http://www.msi.com">www.msi.com</a></p>
Erweiterungsanschlüsse	<ul style="list-style-type: none"> <li>• 2x PCIe 3.0 x16-Steckplätze (PCI_E2, PCI_E4)             <ul style="list-style-type: none"> <li>▪ RYZEN Serie Prozessoren unterstützen den x16/x0, x8/x8 Modus</li> <li>▪ A-Serie/ Athlon™ der 7. Generation Prozessoren unterstützen den x8/x0 Modus</li> </ul> </li> <li>• 1x PCIe 2.0 x16-Steckplatz (PCI_E6, unterstützt den x4 Modus)</li> <li>• 3x PCIe 2.0 x1-Steckplätze</li> </ul> <p>*Der PCI_E6 Steckplatz wird als PCIe 2.0 x1 arbeiten, wenn Sie ein Gerät in jedem PCIe x1 Steckplatz installieren.</p>
Onboard-Grafik	<ul style="list-style-type: none"> <li>• 1x DVI-D Anschluss, Unterstützung einer maximalen Auflösung von 1920x1200@60Hz, 1600x1200@60Hz*</li> <li>• 1x HDMI™ 1.4 Anschluss, Unterstützung einer maximalen Auflösung von 2560x1600@60Hz*</li> </ul> <p>* Diese Funktion wird nur bei der Verwendung von A-Serie/ Athlon™ Prozessoren der 7. Generation unterstützt.</p>
Multi-GPU	<ul style="list-style-type: none"> <li>• RYZEN Serie Prozessoren             <ul style="list-style-type: none"> <li>▪ Unterstützt 2-Wege NVIDIA® SLI™ Technologie</li> <li>▪ Unterstützt 3-Wege AMD® CrossFire™ Technologie</li> </ul> </li> <li>• A-Serie/ Athlon™ der 7. Generation Prozessoren             <ul style="list-style-type: none"> <li>▪ Unterstützt 2-Wege AMD® CrossFire™ Technologie</li> </ul> </li> </ul>

Fortsetzung auf der nächsten Seite

Fortsetzung der vorherigen Seite

Aufbewahrung	<p>AMD® X370 Chipsatz</p> <ul style="list-style-type: none"><li>• 6x SATA 6Gb/s Anschlüsse</li><li>• 1x M.2 Anschluss (Key M)<ul style="list-style-type: none"><li>▪ Unterstützt PCIe 3.0 x4 (RYZEN Serie Prozessoren) oder PCIe 3.0 x2 (A-Serie/ Athlon™ der 7. Generation Prozessoren) und SATA 6Gb/s 2242/ 2260 /2280/ 22110 Speichergeräte</li></ul></li><li>• Unterstützt RAID 0, RAID 1 und RAID 10</li></ul>
USB	<ul style="list-style-type: none"><li>• ASMedia® ASM2142 Chipsatz<ul style="list-style-type: none"><li>▪ 1x USB 3.1 Gen2 (SuperSpeed USB 10Gbps) Typ-C Anschluss an der rückseitigen Anschlussleiste</li><li>▪ 1x USB 3.1 Gen2 (SuperSpeed USB 10Gbps) Typ-A Anschluss an der rückseitigen Anschlussleiste</li></ul></li><li>• AMD® X370 Chipsatz<ul style="list-style-type: none"><li>▪ 4x USB 3.1 Gen1 (SuperSpeed USB) Anschlüsse stehen durch die internen USB Anschlüsse zur Verfügung</li><li>▪ 6x USB 2.0 (High-speed USB) ports (2 Typ-A Anschlüsse an der rückseitigen Anschlussleiste, 4 Anschlüsse stehen durch die internen USB Anschlüsse zur Verfügung)</li></ul></li><li>• AMD® CPU<ul style="list-style-type: none"><li>▪ 4x USB 3.1 Gen1 (SuperSpeed USB) Typ-A Anschlüsse an der rückseitigen Anschlussleiste</li></ul></li></ul>
Audio	<ul style="list-style-type: none"><li>• Realtek® ALC892 Codec</li><li>• 7.1-Kanal-HD-Audio</li></ul>
LAN	<ul style="list-style-type: none"><li>• 1x Realtek® 8111H Gigabit LAN Controller</li></ul>
Hintere Ein-/ und Ausgänge	<ul style="list-style-type: none"><li>• PS/2 Tastatur/ Maus-Combo-Anschluss x1</li><li>• USB 2.0 Typ-A Anschlüsse x2</li><li>• DVI-D Anschluss x1</li><li>• HDMI™ 1.4 Anschluss x1</li><li>• LAN (RJ45) Anschluss x1</li><li>• USB 3.1 Gen1 Typ-A Anschlüsse x4</li><li>• USB 3.1 Gen2 Typ-A Anschluss x1</li><li>• USB 3.1 Gen2 Typ-C Anschluss x1</li><li>• Audiobuchsen x6</li></ul>

Fortsetzung auf der nächsten Seite

Fortsetzung der vorherigen Seite

Interne Anschlüsse	<ul style="list-style-type: none"><li>• 24-poliger ATX Stromanschluss x1</li><li>• 8-poliger ATX12V Stromanschluss x1</li><li>• SATA 6Gb/s Anschlüsse x6</li><li>• USB 2.0 Anschlüsse x2 (unterstützt zusätzliche 4 USB 2.0 Anschlüsse)</li><li>• USB 3.1 Gen1 Anschlüsse x2 (unterstützt zusätzliche 4 USB 3.1 Gen1 Anschlüsse)</li><li>• 4-poliger CPU-Lüfter-Anschluss x1</li><li>• 4-poliger Anschluss für den PUMP-Lüfter (unterstützt bis zu 2A)</li><li>• 4-polige System-Lüfter-Anschlüsse x4</li><li>• RGB LED Anschluss x1</li><li>• TPM Anschluss x1</li><li>• Serieller Anschluss x1</li><li>• Parallele Schnittstelle x1</li><li>• Audioanschluss des Frontpanels x1</li><li>• Systempanel-Anschlüsse x2</li><li>• Gehäusekontaktschalter x1</li><li>• Clear CMOS Steckbrücke x1</li></ul>
E/A Anschluss	NUVOTON NCT6795D Controller Chip
Hardware Monitor	<ul style="list-style-type: none"><li>• CPU/System Temperaturerfassung</li><li>• CPU/System Geschwindigkeitserfassung</li><li>• CPU/System Lüfterdrehzahlregelung</li></ul>
Formfaktor	<ul style="list-style-type: none"><li>• ATX ATX Formfaktor</li><li>• 12 Zoll x 9,6 Zoll (30,4 cm x 24,3 cm)</li></ul>
BIOS Funktionen	<ul style="list-style-type: none"><li>• 1x 128 Mb Flash</li><li>• UEFI AMI BIOS</li><li>• ACPI 5.0, PnP 1.0a, SM BIOS 2.8</li><li>• Mehrsprachenunterstützung</li></ul>

Fortsetzung auf der nächsten Seite

Fortsetzung der vorherigen Seite

Software	<ul style="list-style-type: none"><li>• Treiber</li><li>• COMMAND CENTER</li><li>• LIVE UPDATE 6</li><li>• SUPER CHARGER</li><li>• GAMING APP</li><li>• RAMDISK</li><li>• X-BOOST</li><li>• MSI SMART TOOL</li><li>• GAMING LAN MANAGER</li><li>• Nahimic 2</li><li>• Norton™ Internet Security Solution</li><li>• Google Chrome™, Google Toolbar, Google Drive</li><li>• SteelSeries Engine 3</li><li>• CPU-Z MSI GAMING</li><li>• DRAGON EYE</li></ul>
----------	--

Fortsetzung auf der nächsten Seite

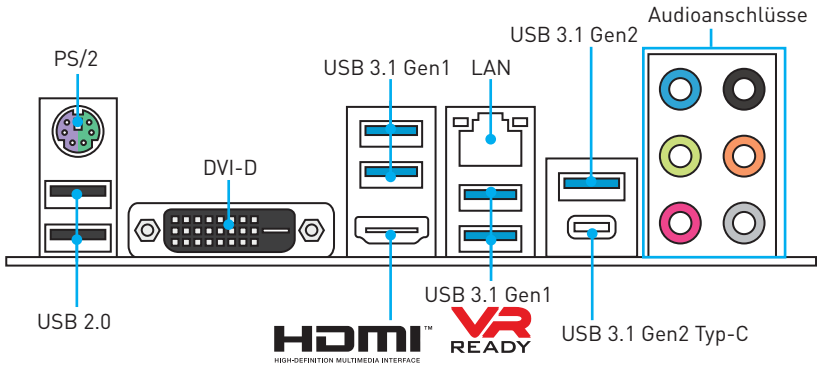
Fortsetzung der vorherigen Seite

Besondere  
Funktionen

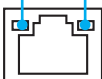
- VR Boost
- Audio Boost
- Nahimic 2
- GAMING LAN mit Gaming LAN Manager
- Turbo M.2
- Pumpe-Lüfter
- Smart-Lüftersteuerung
- Gaming DNA mit unterer LED
- Mystic Light SYNC
- EZ debug LED
- PCI-E Steel Armor mit Hydro Dip Paint
- M.2 Steel Armor
- Vergoldeter USB-Anschluss mit Typ A+C
- Multi GPU – SLI Technologie
- Multi GPU – CrossFire Technologie
- DDR4 Boost
- GAME Boost
- Lightning USB
- Military Class 4
- 7000+ Quality Test
- GAMING-HOTKEY
- GAMING-Maussteuerung
- Click BIOS 5
- AMD FreeSync™ Ready
- AMD OverDrive™ Ready
- GAMING Certified
- SteelSeries Certified
- WTFast GPN\*
  - 2-Monate Premiumlizenz
  - Multiserver-Netzwerkoptimierung
  - Verbesserte Reduktion von Lag Spikes & Verbindungseinbrüchen

\* Dieses Angebot steht nur für begrenzte Zeit zur Verfügung, weitere Informationen finden Sie unter [www.msi.com](http://www.msi.com)

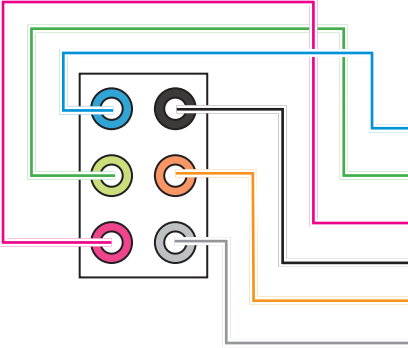
# Rückseite E/A



## LAN Port LED Zustandstabelle

Verbindung/ Aktivität LED			Geschwindigkeit LED	
Zustand	Bezeichnung		Zustand	Bezeichnung
Aus	Keine Verbindung		Aus	10 Mbps-Verbindung
Gelb	Verbindung		Grün	100 Mbps-Verbindung
Blinkt	Datenaktivität		Orange	1 Gbps-Verbindung

## Konfiguration der Audioanschlüsse



Audioanschlüsse	Kanal			
	2	4	6	8
Line-In				
Line-Out/ Vorderer Lautsprecher	●	●	●	●
Mic-In				
Hinterer Lautsprecher		●	●	●
Mitte-/ Subwoofer-Ausgang			●	●
Seitliche Lautsprecher				●

(●: Verbindet, **Blank**: Leer)

## Realtek HD Audio Manager

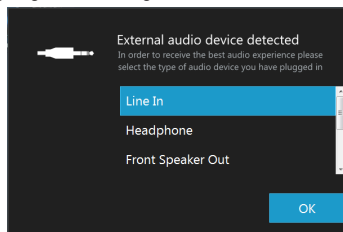
Nach der Installation des **Realtek HD Audio**-Treibers, wird das Symbol **Realtek HD Audio Manager** in der Taskleiste angezeigt. Klicken Sie doppelt auf dieses Symbol, um das Programm zu starten.



- **Geräteauswahl** - Ermöglicht die Auswahl der Audio-Ausgangs Quelle. Das aktuell aktivierte Gerät ist mit einem Haken gekennzeichnet.
- **Optimierungen** - Die Vielfalt an Optionen bietet eine komplette Anleitung von erwarteten Sound-Effekt für beide Ausgangs- und Eingangsvorrichtung.
- **Lautstärke** - Steuert die Lautstärke und die Balance-Einstellung der Lautsprecher, die im Front-Panel oder auf der Rückseite des PCs eingesteckt sind.
- **Profil** - Ermöglicht die Umschaltung zwischen den Profilen.
- **Erweiterte Einstellungen** - Ermöglicht die zeitgleiche Verwendung von zwei Audiostreams.
- **Verbindungsstatus** - Bildet die angeschlossenen Render- und Capture-Geräte ab.
- **Anschlüsse** - Konfiguriert die Anschlüsseinstellungen.

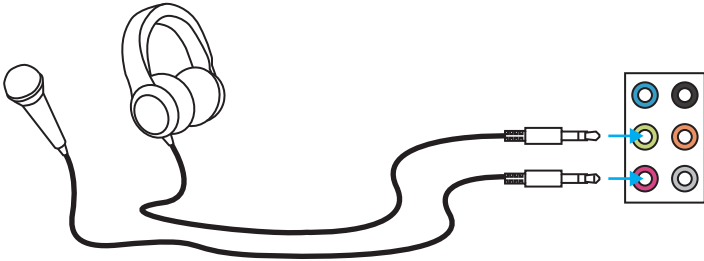
## Auto Popup-Dialog

Nach dem Anschluss eines Audio-Klinkensteckers erscheint ein Dialogfenster und fragt nach einer Bestätigung für das angeschlossene Gerät.

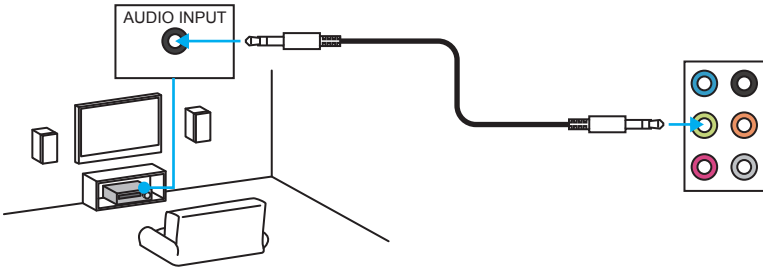


Jede Buchse entspricht diesem Wert der Grundeinstellung, wie es auf den nächsten Seiten gezeigt wird.

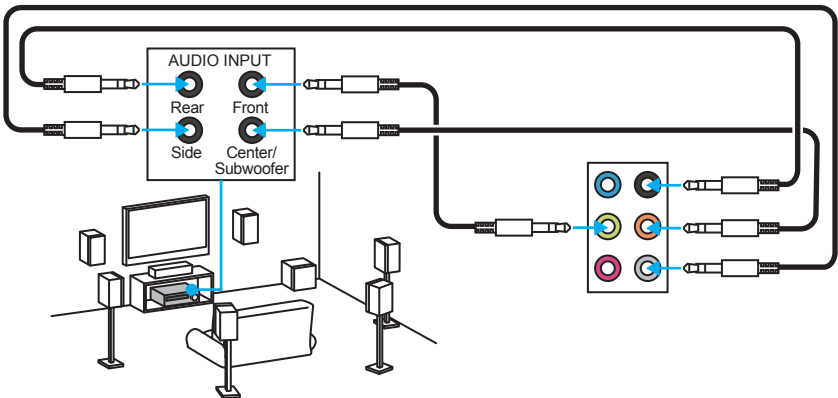
### Audiobuchsen für den Anschluss von einem Kopfhörer und Mikrofon



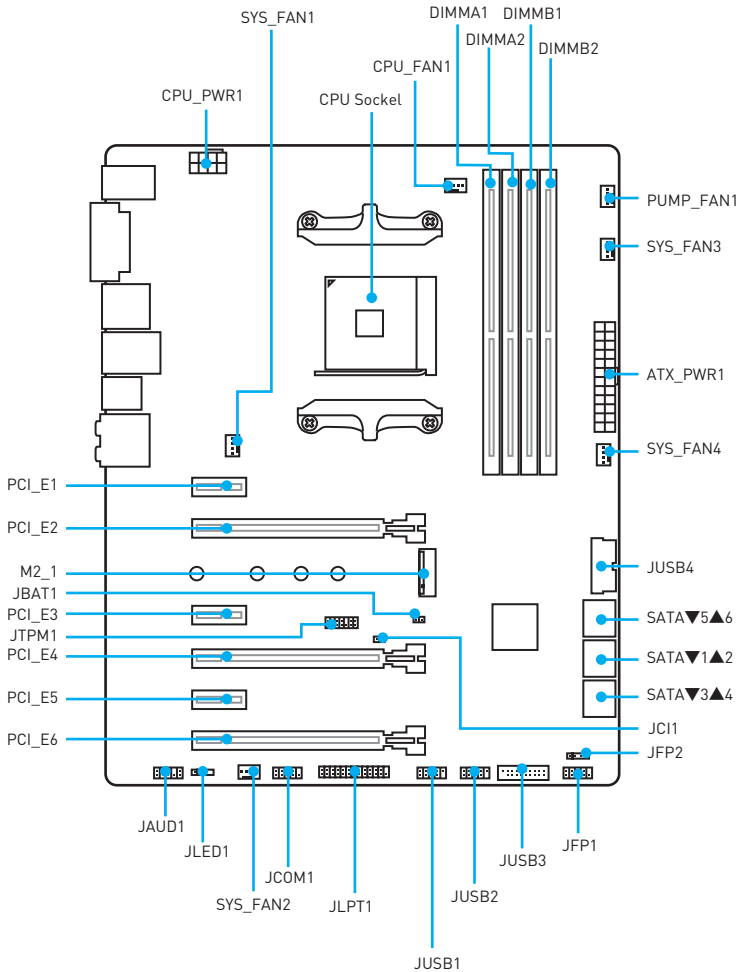
### Audiobuchsen für Stereo-Lautsprecher



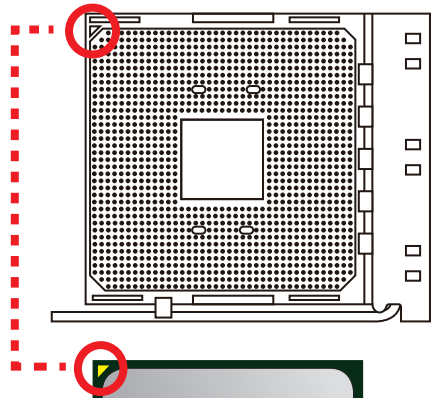
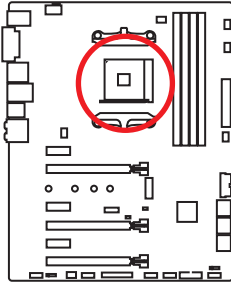
### Audiobuchsen für 7.1 Kanal Anlage



# Übersicht der Komponenten



## CPU Socket



### Erklärung zur AM4 CPU

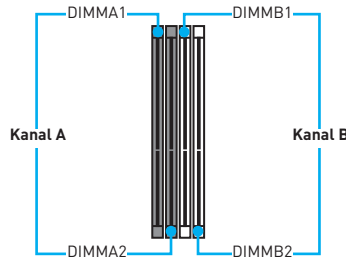
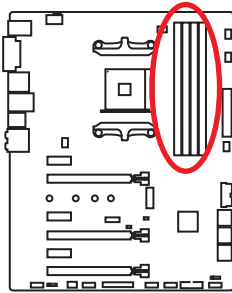
Die Oberseite der AM4 CPU hat ein gelbes Dreieck um die korrekte Ausrichtung der CPU auf dem Motherboard zu gewährleisten. Das gelbe Dreieck des Prozessors definiert die Position des ersten Pins.



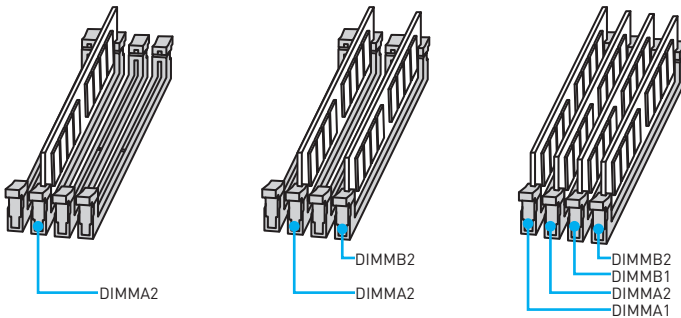
### Wichtig

- Bei einem Wechsel des Prozessors sollte aufgrund der AM4-Prozessorarchitektur die Systemkonfiguration gelöscht und das BIOS auf die Standardwerte zurückgesetzt werden.
- Ziehen Sie das Netzkabel ab, bevor Sie die CPU ein- und ausbauen.
- Wenn Sie die CPU einbauen, denken Sie bitte daran einen CPU-Kühler zu installieren. Ein CPU-Kühlkörper ist notwendig, um eine Überhitzung zu vermeiden und die Systemstabilität beizubehalten.
- Stellen Sie sicher, dass Ihr Kühlkörper eine feste Verbindung mit der CPU hergestellt hat, bevor Sie Ihr System starten.
- Überhitzung beschädigt die CPU und das System nachhaltig. Stellen Sie stets eine korrekte Funktionsweise des CPU Kühlers sicher, um die CPU vor Überhitzung zu schützen. Stellen Sie sicher, dass eine gleichmäßige Schicht thermischer Paste oder thermischen Tapes zwischen der CPU und dem Kühlkörper vorhanden ist, um die Wärmeableitung zu erhöhen.
- Verwenden Sie bitte die Installationsanweisung des Kühlkörpers/Kühlers, falls Sie eine separate CPU oder einen Kühlkörper/ Kühler erworben haben.
- Dieses Motherboard wurde so entworfen, dass es Übertakten unterstützt. Stellen Sie jedoch bitte sicher, dass die betroffenen Komponenten mit den abweichenden Einstellungen während des Übertaktens zurecht kommen. Von jedem Versuch des Betriebes außerhalb der Produktspezifikationen kann nur abgeraten werden. MSI übernehmt keinerlei Garantie für die Schäden und Risiken, die aus einem unzulässigem Betrieb oder einem Betrieb außerhalb der Produktspezifikation resultieren.

## DIMM Steckplätze



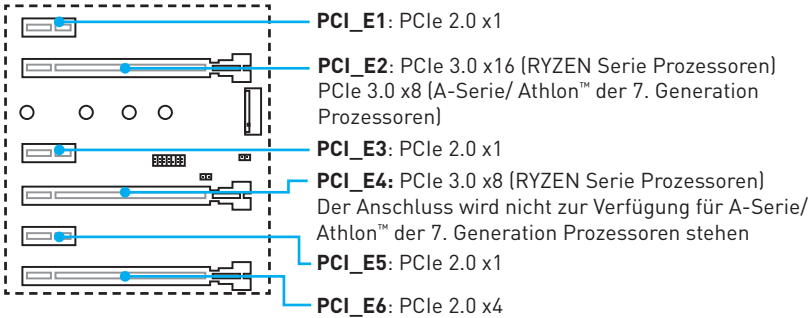
## Mehrere Grafikkarten Einbauempfehlung



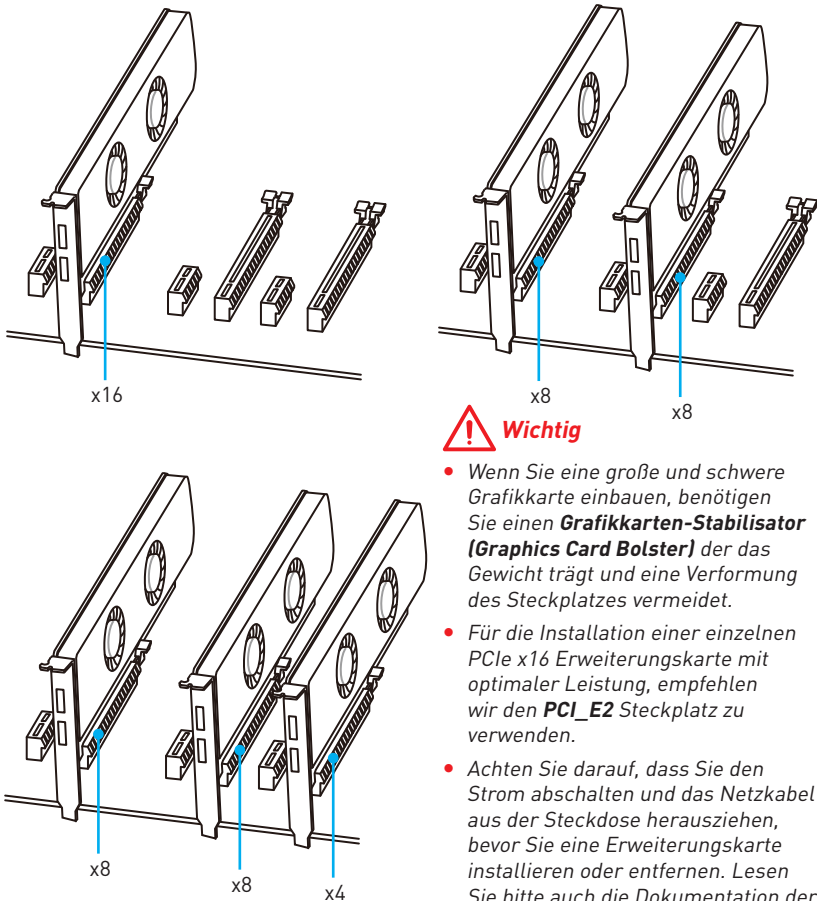
### ! Wichtig

- Um einen sicheren Systemstart zu gewährleisten, bestücken Sie immer **DIMMA2** zuerst.
- Aufgrund der Chipsatzressourcennutzung wird die verfügbare Kapazität des Speichers kleiner sein als die Größe der installierten Speicherkapazität.
- Basierend auf der Prozessorspezifikation wird eine Speicherspannung unter 1,35 Volt vorgeschlagen, um der Prozessor zu schützen.
- Einige Speichermodule können beim Übertakten auf einer niedrigeren Frequenz arbeiten, als der festgelegte Wert - abhängig von dem SPD (Serial Presence Detect). Stellen Sie im BIOS-Setup mit **DRAM Frequency!** die Speicherfrequenz ein, wenn Sie mit der festgelegten oder einer höheren Speicherfrequenz arbeiten möchten.
- Es wird empfohlen, ein effizienteres Speicherkühlsystem bei einer Vollbestückung des DIMMs oder beim Übertakten zu verwenden.
- Die Stabilität und Kompatibilität beim Übertakten der installierten Speichermodule sind abhängig von der installierten CPU und den installierten Geräten.
- Speichermodule können auf Basis der offiziellen Spezifikation der AM4 CPU/ des Speicher-Controllers mit einer niedrigeren Frequenz unter dem Standardzustand arbeiten. Weitere Informationen zu kompatiblen Speichermodulen finden Sie unter: <http://www.msi.com>.

## PCI\_E1~6: PCIe Erweiterungssteckplätze



## Mehrere Grafikkarten Einbauempfehlung (RYZEN Serie Prozessoren)



### ! Wichtig

- Wenn Sie eine große und schwere Grafikkarte einbauen, benötigen Sie einen **Grafikkarten-Stabilisator (Graphics Card Bolster)** der das Gewicht trägt und eine Verformung des Steckplatzes vermeidet.
- Für die Installation einer einzelnen PCIe x16 Erweiterungskarte mit optimaler Leistung, empfehlen wir den **PCI\_E2** Steckplatz zu verwenden.
- Achten Sie darauf, dass Sie den Strom abschalten und das Netzkabel aus der Steckdose herausziehen, bevor Sie eine Erweiterungskarte installieren oder entfernen. Lesen Sie bitte auch die Dokumentation der Erweiterungskarte, um notwendige zusätzliche Hardware oder Software-Änderungen zu überprüfen.

## Tabelle der PCIe Bandbreiten

### Für RYZEN Serie Prozessoren

Steckplatz	Einzel		2-Wege		3-Wege
PCI_E1	—	Gen 2.0 x 1	—	Gen 2.0 x 1	—
PCI_E2	Gen 3.0 x 16*	Gen 3.0 x 16*	Gen 3.0 x 8*	Gen 3.0 x 8*	Gen 3.0 x 8*
PCI_E3	—	Gen 2.0 x 1	—	Gen 2.0 x 1	—
PCI_E4	—	—	Gen 3.0 x 8*	Gen 3.0 x 8*	Gen 3.0 x 8*
PCI_E5	—	Gen 2.0 x 1	—	Gen 2.0 x 1	—
PCI_E6	Gen 2.0 x 4	Gen 2.0 x 1	Gen 2.0 x 4	Gen 2.0 x 1	Gen 2.0 x 4*
M2_1	Gen 3.0 x 4	Gen 3.0 x 4	Gen 3.0 x 4	Gen 3.0 x 4	Gen 3.0 x 4

(—: Leer, \*: Grafikkarte)

### Für A-Serie/ Athlon™ der 7. Generation Prozessoren

Steckplatz	Einzel		2-Wege
PCI_E1	—	Gen 2.0 x 1	—
PCI_E2	Gen 3.0 x 8*	Gen 3.0 x 8*	Gen 3.0 x 8*
PCI_E3	—	Gen 2.0 x 1	—
PCI_E4	—	—	—
PCI_E5	—	Gen 2.0 x 1	—
PCI_E6	Gen 2.0 x 4	Gen 2.0 x 1	Gen 2.0 x 4*
M2_1	Gen 3.0 x 2	Gen 3.0 x 2	Gen 3.0 x 2

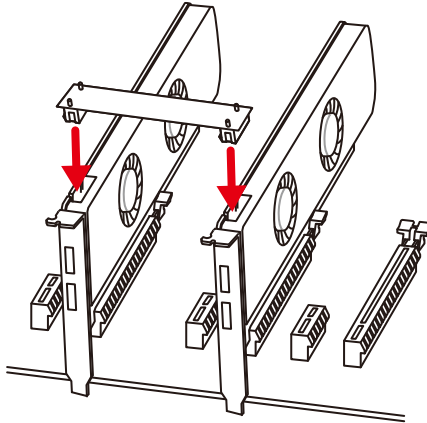
(—: Leer, \*: Grafikkarte)

## Einbau von SLI-Grafikkarten

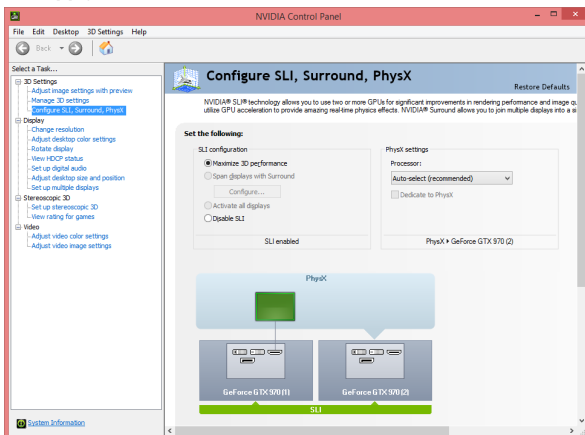
Stellen Sie eine ausreichende Stromversorgung für SLI-Konfigurationen sicher. Die notwendigen Informationen können Sie aus dem Handbuch Ihrer Grafikkarte entnehmen.

Installation der SLI-Grafikkarten:

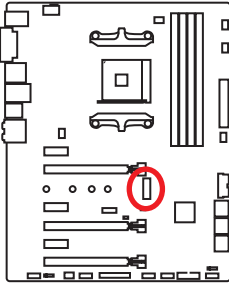
1. Schalten Sie Ihren Computer aus und ziehen Sie die Kabel ab. Installieren Sie Ihre Grafikkarten im **PCI\_E2** und **PCI\_E4** Slot.
2. Verbinden Sie beide Karten mit einer **SLI-Brücke**.



3. Verbinden Sie alle PCIe-Stromanschlüsse der Grafikkarten.
4. Schliessen Sie das Netzkabel wieder an und schalten Sie den Computer ein. Installieren Sie die Treiber und die Software, die im Lieferumfang Ihrer Grafikkarten enthalten sind.
5. Klicken Sie in Ihrem Windows-Desktop auf die rechte Maustaste, und wählen Sie **NVIDIA Control Panel** aus dem Menü aus. Klicken Sie auf **Configure SLI, Surround, PhysX** im linken Task-Fensterbereich und wählen Sie **Maximize 3D performance** im SLI-Konfigurationsmenü aus, und klicken Sie dann auf **Anwenden (Apply)**.



## M2\_1: M.2 Steckplatz (Key M)



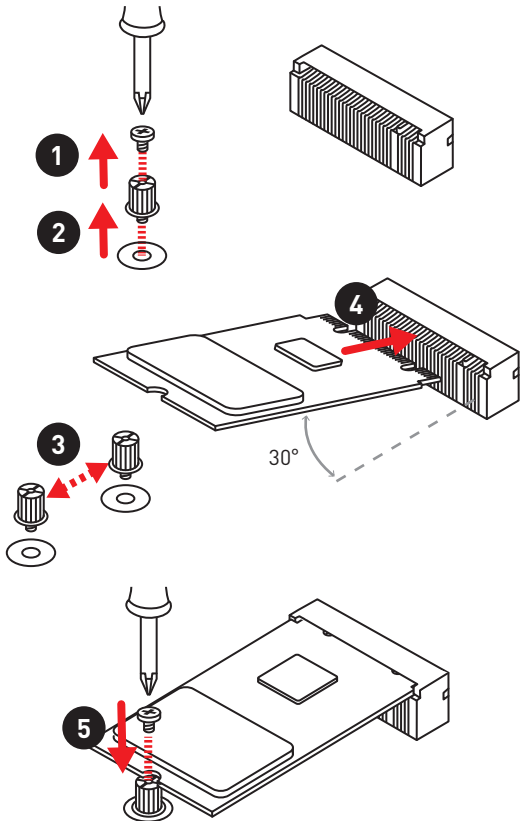
### Video-Demonstration

In diesem Video erfahren Sie, wie Sie die M.2-Abdeckung verwenden.

[https://youtu.be/b-N28ajX\\_C4](https://youtu.be/b-N28ajX_C4)

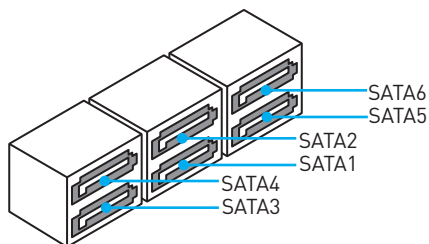
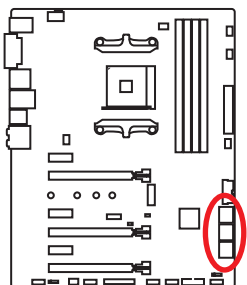
### Installation eines M.2 Moduls

1. Entfernen Sie die Schraube aus dem Schraubsockel.
2. Entfernen Sie den Schraubsockel.
3. Befestigen Sie den Schraubsockel in dem Loch, welches zur Länge des M.2 Moduls passt.
4. Stecken Sie das M2-Modul in den M2-Steckplatz in einem 30-Grad-Winkel.
5. Setzen Sie die Schraube in die Aussparung an der Hinterkante des M2-Modul und schrauben Sie sie in den Schraubsockel.



## SATA1~6: SATA 6Gb/s Anschlüsse

Dieser Anschluss basiert auf der Hochgeschwindigkeitsschnittstelle SATA 6Gb/s. Pro Anschluss kann ein SATA Gerät angeschlossen werden.

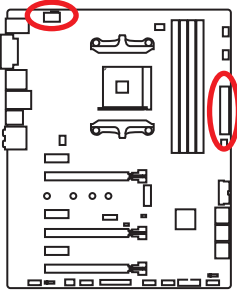


### **Wichtig**

- Knicken Sie das SATA-Kabel nicht in einem 90° Winkel. Datenverlust könnte die Folge sein.
- SATA-Kabel haben identische Stecker an beiden Enden. Es wird empfohlen den flachen Stecker auf dem Motherboard einstecken.

## CPU\_PWR1, ATX\_PWR1: Stromanschlüsse

Mit diesen Anschlüssen verbinden Sie die ATX Stromstecker.



1	Ground	5	+12V
2	Ground	6	+12V
3	Ground	7	+12V
4	Ground	8	+12V

1	+3.3V	13	+3.3V
2	+3.3V	14	-12V
3	Ground	15	Ground
4	+5V	16	PS-ON#
5	Ground	17	Ground
6	+5V	18	Ground
7	Ground	19	Ground
8	PWR OK	20	Res
9	5VSB	21	+5V
10	+12V	22	+5V
11	+12V	23	+5V
12	+3.3V	24	Ground

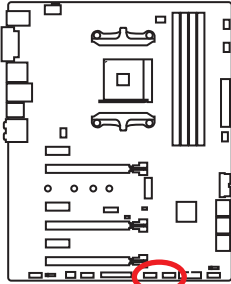


**Wichtig**

Stellen Sie sicher, dass alle Anschlüsse mit den richtigen Anschlüssen des Netzteils verbunden sind, um einen stabilen Betrieb der Hauptplatine sicherzustellen.

## JUSB1~2: USB 2.0 Anschlüsse

Mit diesen Anschlüssen können Sie die USB 2.0 Anschlüsse auf dem Frontpanel verbinden.



1	VCC	2	VCC
3	USB0-	4	USB1-
5	USB0+	6	USB1+
7	Ground	8	Ground
9	No Pin	10	NC

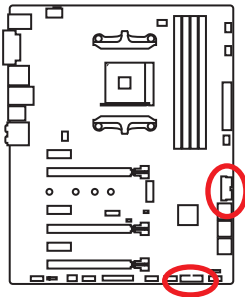


### Wichtig

- Bitte beachten Sie, dass Sie die mit VCC (Stromführende Leitung) und Ground (Erdleitung) bezeichneten Pins korrekt verbinden müssen, ansonsten kann es zu Schäden kommen.
- Um das iPad, iPhone und den iPod über USB-Anschlüsse aufzuladen, installieren Sie bitte die MSI® SUPER CHARGER Software.

## JUSB3~4: USB 3.1 Gen1 Anschlüsse

Mit diesen Anschlüssen können Sie die USB 3.1 Gen1 Anschlüsse auf dem Frontpanel verbinden.



1	Power	11	USB2.0+
2	USB3_RX_DN	12	USB2.0-
3	USB3_RX_DP	13	Ground
4	Ground	14	USB3_TX_C_DP
5	USB3_TX_C_DN	15	USB3_TX_C_DN
6	USB3_TX_C_DP	16	Ground
7	Ground	17	USB3_RX_DP
8	USB2.0-	18	USB3_RX_DN
9	USB2.0+	19	Power
10	NC	20	No Pin

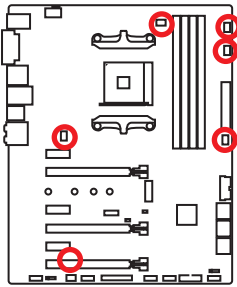


### Wichtig

Bitte beachten Sie, dass Sie die mit „Stromführende Leitung“ und „Erdleitung“ bezeichneten Pins korrekt verbinden müssen, ansonsten kann es zu Schäden kommen.

## CPU\_FAN1, PUMP\_FAN1, SYS\_FAN1~4: Stromanschlüsse für Lüfter

Diese Anschlüsse können im PWM (Pulse Width Modulation) Modus oder DC-Modus betrieben werden. Im PWM-Modus bieten die Lüfteranschlüsse konstante 12V Ausgang und regeln die Lüftergeschwindigkeit per Drehzahlsteuersignal. Im DC-Modus bestimmen die Lüfteranschlüsse die Lüftergeschwindigkeit durch Ändern der Spannung. Wenn Sie einen 3-Pin (Non-PWM) Lüfter an einen PWM-Modus Lüfteranschluss anschließen, läuft der Lüfter mit höchster Drehzahl und kann unangenehm laut werden. CPU\_FAN1 und PUMP\_FAN1 können den PWM- oder DC-Modus automatisch erkennen. Folgen Sie den folgenden Anweisungen, um den PWM- oder DC-Modus auszuwählen.



### Default PWM Mode fan connectors



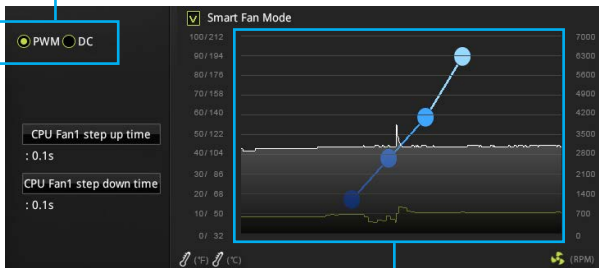
### Default DC Mode fan connectors



## Umschalten des Lüfter-Modus und Anpassung der Lüfterdrehzahl

Sie können unter **BIOS > HARDWARE MONITOR** zwischen dem PWM- und DC-Modus umschalten und die Lüfterdrehzahl ändern.

Wählen Sie den **PWM-** oder **DC-**Modus aus



Die Gradientenpunkte des Lüfterverlaufs erlauben die Anpassung der Lüfterdrehzahl in Abhängigkeit von der CPU-Temperatur.



Überprüfen Sie die ordnungsgemäße Funktion der Lüfter nach dem Umschalten des PWM-/DC-Modus

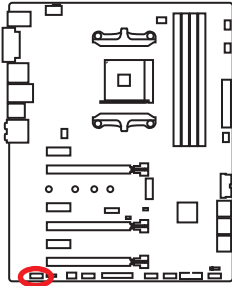
### Pin-Belegung der Lüfteranschlüsse

Pin-Belegung des PWM-Modus			
1	Ground	2	+12V
3	Sense	4	Speed Control Signal

Pin-Belegung des DC-Modus			
1	Ground	2	Voltage Control
3	Sense	4	NC

## JAUD1: Audioanschluss des Frontpanels

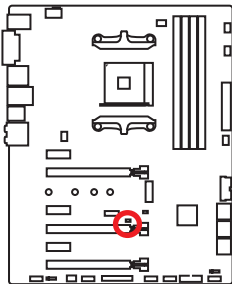
Dieser Anschluss ermöglicht den Anschluss von Audiobuchsen eines Frontpanels.



1	MIC L	2	Ground
3	MIC R	4	NC
5	Head Phone R	6	MIC Detection
7	SENSE_SEND	8	No Pin
9	Head Phone L	10	Head Phone Detection

## JCI1: Gehäusekontaktanschluss

Dieser Anschluss wird mit einem Kontaktschalter verbunden.



Normal  
(Standardwert)



Löse den  
Gehäuseeingriff aus

### Gehäusekontakt-Detektor verwenden

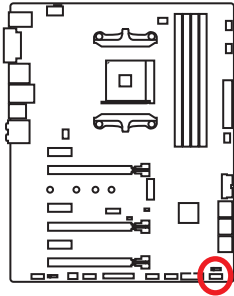
1. Schließen Sie den **JCI1**-Anschluss am Gehäusekontakt-Schalter/ Sensor am Gehäuse an.
2. Schließen Sie die Gehäuseabdeckung.
3. Gehen Sie zu **BIOS > SETTING > Security > Chassis Intrusion Configuration**.
4. Stellen Sie **Chassis Intrusion** auf **Enabled**.
5. Drücken Sie **F10** zum Speichern und Beenden und drücken Sie dann die **Enter**-Taste, um **Ja** auszuwählen.
6. Bei eingeschaltetem Computer wird eine Warnmeldung auf dem Bildschirm angezeigt, wenn die Gehäuseabdeckung wieder geöffnet wird.

### Gehäusekontakt-Warnung zurücksetzen

1. Gehen Sie zu **BIOS > SETTING > Security > Chassis Intrusion Configuration**.
2. Stellen Sie **Chassis Intrusion** auf **Reset**.
3. Drücken Sie **F10** zum Speichern und Beenden und drücken Sie dann die **Enter**-Taste, um **Ja** auszuwählen.

## JFP1, JFP2: Frontpanel-Anschlüsse

Diese Anschlüsse verbinden die Schalter und LEDs des Frontpanels.

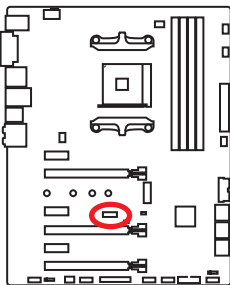


1	HDD LED +	2	Power LED +
3	HDD LED -	4	Power LED -
5	Reset Switch	6	Power Switch
7	Reset Switch	8	Power Switch
9	Reserved	10	No Pin

1	Speaker -	2	Buzzer +
3	Buzzer -	4	Speaker +

## JTPM1: TPM Anschluss

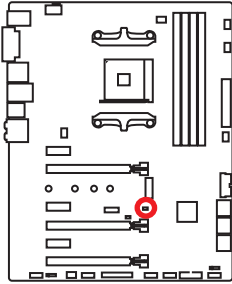
Dieser Anschluss wird für das TPM Modul (Trusted Platform Module) verwendet. Weitere Informationen über den Einsatz des optionalen TPM Modules entnehmen Sie bitte dem TPM Plattform Handbuch.



1	LPC Clock	2	3V Standby power
3	LPC Reset	4	3.3V Power
5	LPC address & data pin0	6	Serial IRQ
7	LPC address & data pin1	8	5V Power
9	LPC address & data pin2	10	No Pin
11	LPC address & data pin3	12	Ground
13	LPC Frame	14	Ground

## JBAT1: Clear CMOS Steckbrücke (Reset des BIOS)

Der Onboard CMOS Speicher (RAM) wird durch eine externe Spannungsversorgung durch eine Batterie auf dem Motherboard versorgt, um die Daten der Systemkonfiguration zu speichern. Wenn Sie die Systemkonfiguration löschen wollen, müssen Sie die Steckbrücke für kurze Zeit umsetzen.



Daten  
beibehalten  
(Standardwert)



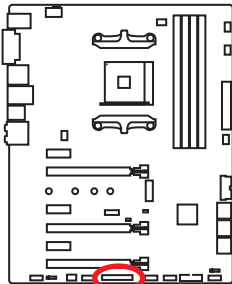
CMOS-Daten  
löschen/ Reset  
des BIOS

### Rücksetzen des BIOS auf Standardwerte

1. Schalten Sie den Computer ab und ziehen Sie **NICHT** das Netzkabel (Das System unter S5-/ Soft-off-Modus)
2. Verwenden Sie eine Steckbrücke, um JBAT1 für 5-10 Sekunden kurzzuschließen.
3. Entfernen Sie die Steckbrücke von JBAT1.
4. Schalten Sie den Computer ein.

## JLPT1: Parallele Schnittstelle

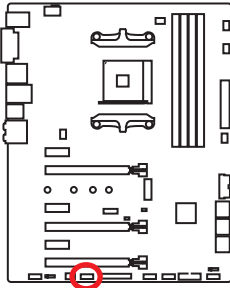
Mit dieser Schnittstelle können Sie das optionale parallele Schnittstelle mit dem Einbausatz verbinden.



1	RSTB#	2	AFD#	3	PRND0
4	ERR#	5	PRND1	6	PINIT#
7	PRND2	8	LPT_SLIN#	9	PRND3
10	Ground	11	PRND4	12	Ground
13	PRND5	14	Ground	15	PRND6
16	Ground	17	PRND7	18	Ground
19	ACK#	20	Ground	21	BUSY
22	Ground	23	PE	24	Ground
25	SLCT	26	No Pin		

## JCOM1: Serieller Anschluss

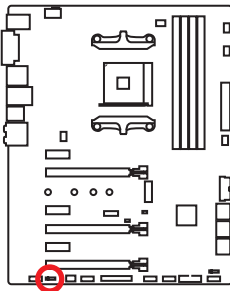
Mit diesem Anschluss können Sie das optionale serielle Schnittstelle mit dem Einbausatz verbinden.



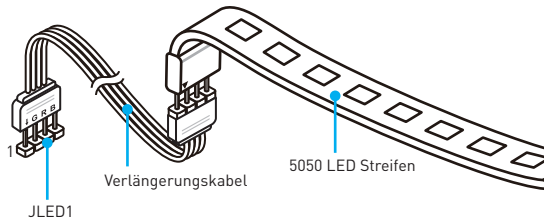
1	DCD	2	SIN
3	SOUT	4	DTR
5	Ground	6	DSR
7	RTS	8	CTS
9	RI	10	No Pin

## JLED1: RGB LED Anschluss

Mit diesen Anschlüssen können Sie den 5050 RGB-LED-Streifen anschließen.



1	+12V	2	G
3	R	4	B



### Video-Demonstration

In diesem Video erfahren Sie, wie Sie die 5050 RGB LED Streifen am RGB-LED-Anschluss anschließen können.

<https://youtu.be/CqNHyADzd2Q>

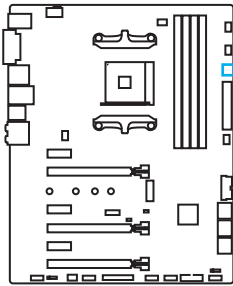
### Wichtig

- Dieser Anschluss unterstützt die 5050 Mehr-Farb-LED-Streifen mit der maximalen Leistung von 3A (12V). Beachten Sie bitte, dass die Länge des LED-Streifens maximal 2 Meter betragen darf um eine Verdunkelung der LED zu verhindern.
- Schalten Sie die Stromversorgung aus und ziehen Sie das Netzkabel ab, bevor Sie die LED-Streifen ein- und ausbauen.
- Bitte verwenden Sie die **GAMING APP** zur Steuerung des LED-Leuchtstreifens.

# Onboard-LEDs

## EZ Debug LED

Diese LEDs zeigen den Status des Motherboards an.



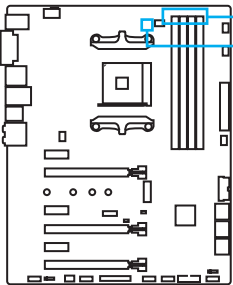
- CPU** - CPU wird nicht erkannt oder ist fehlerhaft.
- DRAM** - DRAM wird nicht erkannt oder ist fehlerhaft.
- VGA** - GPU wird nicht erkannt oder ist fehlerhaft.
- BOOT** - Boot-Gerät wird nicht erkannt oder ist fehlerhaft.

## DIMM LEDs

Diese LEDs zeigen an, dass die Speichermodule installiert sind.

## GPU LED

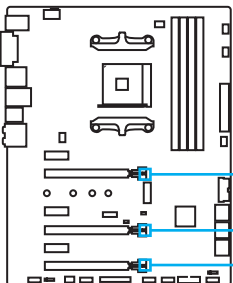
Diese LED zeigt an, dass die iGPU der CPU nicht erkannt wird und daher eine Grafikkarte installiert werden muß.



- DIMM LEDs
- GPU LED

## PCIe x16 Steckplatz LEDs

Diese LED zeigen den Status der PCIe x16-Steckplätze an.



- PCI\_E2 LED
- PCI\_E4 LED
- PCI\_E6 LED

LED-Farbe	Status des PCIe-Steckplatzes
Rot	x16 Modus
Weiß	x8, x4, x1 Modus

# BIOS-Setup

Die Standardeinstellungen bieten die optimale Leistung für die Systemstabilität unter Normalbedingungen. Sie sollten **immer die Standardeinstellungen behalten**, um mögliche Schäden des Systems oder Boot-Fehler zu vermeiden, außer Sie besitzen ausreichende BIOS Kenntnisse.



## Wichtig

- *BIOS Funktionen werden für eine bessere Systemleistung kontinuierlich aktualisiert. Deswegen können die Beschreibungen leicht von der letzten Fassung des BIOS abweichen und sollten demnach nur als Anhaltspunkte dienen. Für eine Beschreibung der BIOS Funktionen rufen Sie die **HELP** Informationstafel aus.*
- *Die Bilder in diesem Kapitel stellen lediglich Referenzen dar und können von dem von Ihnen erworbenen Produkt abweichen.*

## Öffnen des BIOS Setups

Während des BOOT-Vorgangs drücken Sie die Taste **Delete**, wenn die Meldung **Press DEL key to enter Setup Menu, F11 to enter Boot Menu** erscheint.

### Funktionstasten

- F1:** Allgemeine Hilfe
- F2:** Hinzufügen/entfernen einen Favoritenpunkt
- F3:** Öffnen das Favoriten-Menü
- F4:** Öffnen das CPU-Spezifikationen-Menü
- F5:** Öffnen das Memory-Z-Menü
- F6:** Laden der ursprünglichen Setup-Standardwerte
- F7:** Wechseln zwischen dem Erweiterten-Modus und EZ-Modus
- F8:** OC-Profil wird vom USB-Stick geladen
- F9:** OC-Profil wird auf einem USB-Stick gespeichert
- F10:** Speichern oder Zurücksetzen der Änderungen\*
- F12:** Machen einen Screenshot und speichern auf einen FAT/FAT32-USB-Laufwerk.

\* Beim Drücken der F10 Taste wird das Fenster zum Speichern der Einstellungen angezeigt. Wählen Sie **Yes**, um die Wahl zu bestätigen, oder **No**, um die derzeitige Einstellung beizubehalten.

## Reset des BIOS

Sie können die Werkseinstellung wieder herstellen, um bestimmte Probleme zu lösen. Es gibt verschiedene Möglichkeiten, um das BIOS zurückzusetzen:

- Öffnen Sie das BIOS und drücken Sie **F6**, um optimierten Einstellungen zu laden.
- Schließen Sie die **Clear CMOS Steckbrücke** an das Motherboard an.



### **Wichtig**

Stellen Sie sicher, dass Ihr Computer ausgeschaltet ist, bevor Sie die CMOS-Daten löschen. Bitte lesen Sie für Informationen zum BIOS-Reset im Bereich „**Clear CMOS Steckbrücke**“ nach.

## Aktualisierung des BIOS

### Aktualisierung des BIOS mit dem M-FLASH-Programm

Vorbereitung:

Laden Sie bitte die neueste BIOS Version, die dem Motherboard-Modell entspricht, von der offiziellen MSI Website herunter und speichern Sie die BIOS-Datei auf USB-Flash-Laufwerk.

BIOS-Aktualisierungsschritte:

1. Drücken Sie während des POST-Vorgangs die Taste (Entf), um das BIOS zu öffnen.
2. Schließen das USB-Flashlaufwerk mit der BIOS-Datei an den Computer.
3. Wählen Sie die Registerkarte **M-FLASH** und klicken Sie auf **Yes (Ja)**, um das System neu zu starten. Rufen Sie den Flash-Modus auf.
4. Wählen Sie die BIOS-Datei zur Durchführung des BIOS-Aktualisierungsprozesses aus.
5. Nachdem das Flashen des BIOS vollständig ist, startet das System automatisch neu.

### Aktualisierung des BIOS mit Live Update 6

Vorbereitung:

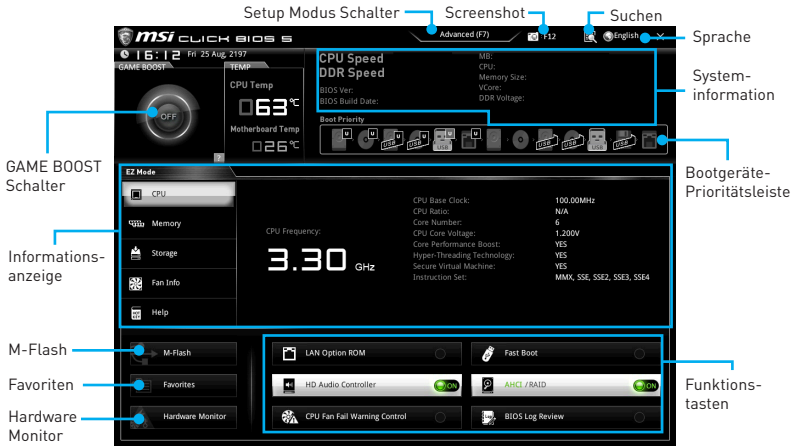
Stellen Sie sicher, dass zuvor die LAN-Treiber installiert wurden und eine Internetverbindung eingerichtet ist.

BIOS-Aktualisierungsschritte:

1. Installieren und starten Sie „MSI LIVE UPDATE 6“.
2. Wählen Sie **BIOS Update** aus.
3. Klicken Sie auf die **Scan** Taste.
4. Klicken Sie auf dieses **Download**-Icon, um die neueste BIOS-Datei zu laden und zu installieren.
5. Klicken Sie auf **Next (Weiter)** und wählen Sie **In Windows Mode** aus. Und klicken dann auf **Next (Weiter)** und **Start (Starten)**, um das BIOS-Update zu starten.
6. Nachdem das Flashen des BIOS vollständig ist, startet das System automatisch neu.

## EZ Modus

Im EZ-Modus können Sie die Grundinformationen des Systems einsehen und grundlegende Einstellungen konfigurieren. Um sich die erweiterten BIOS-Einstellungen anzeigen zu lassen, aktivieren Sie bitte den Erweiterten Modus durch Drücken des Setup Modus Schalter oder der Funktionstaste F7.



- **GAME BOOST Schalter** - Klicken Sie den Schalter, um GAME BOOST für OC zu wechseln.

### **Wichtig**

Bitte ändern Sie keine Werte im OC Menü und laden Sie keine Standardwerte während GAME BOOST aktiviert ist, um die optimale Leistung und Stabilität des Systems zu gewährleisten.

- **Setup Modus Schalter** - Mit dieser Registerkarte oder der **F7**-Taste können Sie zwischen dem Erweiterten-Modus und EZ-Modus wechseln.
- **Screenshot** - Wählen Sie diese Registerkarte oder betätigen Sie die **F12**-Taste, um einen Screenshot zu machen und auf einen FAT/FAT32-USB-Laufwerk zu speichern.
- **Suchen** - Klicken Sie auf diese Registerkarte oder die **Strg+F** Taste um die Suchseite anzuzeigen. Mit der Funktion können Sie durch Eingabe eines Suchbegriffs nach BIOS-Einträgen suchen. Bewegen Sie den Mauszeiger über einen freien Bereich und klicken Sie mit der rechten Maustaste, um die Suchseite zu schließen.

### **Wichtig**

Auf der Suchseite stehen nur die **F6**-, **F10**- und **F12**-Funktionstasten zur Verfügung.

- **Sprache** - Hier können Sie die Sprache der BIOS-Einstellungen auswählen.
- **Systeminformationen** - Diese zeigt CPU/ DDR-Frequenz, CPU/ MB-Temperatur, MB/ CPU-Typ, Speicherkapazität, CPU/ DDR-Spannung, BIOS-Version und Erstellungs-Datum.
- **Boot-Geräte Prioritätsleiste** - Sie können die Gerätesymbole verschieben, um die Startreihenfolge zu ändern. Die Bootreihenfolge sind mit "hoch" (links) bis "niedrig" (rechts) bezeichnet.

- **Informationsanzeige** - Klicken Sie auf die Schaltfläche **CPU, Memory, Storage, Fan Info** und **Help** auf der linken Seite, um die jeweiligen Informationen anzuzeigen.
- **Funktionstasten** - Aktivieren oder deaktivieren Sie **LAN Option ROM, HD audio controller, AHCI, RAID, CPU Fan Fail Warning Control** und **BIOS Log Review** durch Anklicken der zugehörigen Schaltfläche.

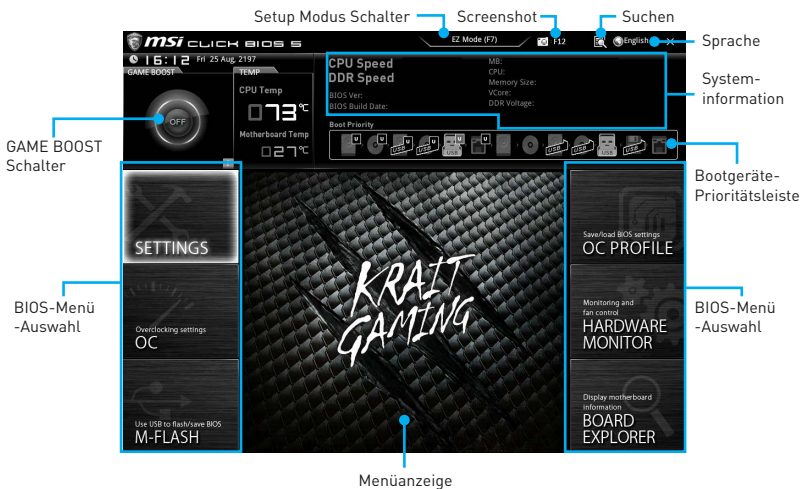


### **Wichtig**

- Während des Windows Setup-Vorgangs benötigen Sie den RAID-Treiber, den Sie auf der MSI-Treiber-CD finden.
- Sie können das **MSI SMART TOOL** verwenden, um das Windows® 7/ 10-Installationslaufwerk mit dem RAID-Treiber zu erstellen.
- Wenn ihr M.2 SSD RAID-Volumen als Windows-Startvolumen eingestellt ist und Sie das RAID-Volumen im UEFI BIOS löschen, ist Ihr System nicht mehr bootfähig.
- **M-Flash** - Ein Klick auf diese Schaltfläche öffnet **M-Flash** mit dem Sie das BIOS mit einem USB-Flash-Laufwerk aktualisieren.
- **Hardware Monitor** - Ein Klick auf diese Schaltfläche öffnet das Menü des **Hardware Monitor** mit dem Sie die Lüfterdrehzahl in Prozent manuell steuern.
- **Favoriten** - Drücken Sie die **F3**-Taste, um das **Favoriten**-Menü aufzurufen. Hier können Sie Ihre persönliches BIOS-Menü erstellen, in dem Sie die häufig verwendeten oder favorisierten BIOS-Einstellungsoptionen auswählen können.
  - **Default HomePage** - Über diese Option können Sie ein BIOS-Menü (zum Beispiel: Einstellungen, Übertaktung, usw.) als BIOS Homepage auswählen.
  - **Favoriten 1-5** - Hier können Sie die häufig erwendeten oder favorisierten BIOS-Einstellungsoptionen auf einer Seite hinzufügen.
  - **Um ein BIOS-Punkte zu einer Favoritenseite hinzuzufügen (Lieblingseinstellung 1-5)**
    1. Sie können die Maus nicht nur über einen Eintrag im BIOS-Menü sondern auch auf der Suchseite bewegen.
    2. Klicken Sie mit der rechten Maustaste oder drücken Sie die Taste **F2**.
    3. Wählen Sie die gewünschte Seite aus und klicken Sie auf **OK**.
  - **Um ein BIOS-Punkte von Favoritenseite zu löschen**
    1. Bewegen Sie die Maus über einen BIOS-Eintrag auf einer Favoritenseite (Favoriten 1-5)
    2. Klicken Sie mit der rechten Maustaste oder drücken Sie die Taste **F2**.
    3. Wählen Sie **Delete** aus und klicken Sie auf **OK**.

## Erweiterter Modus

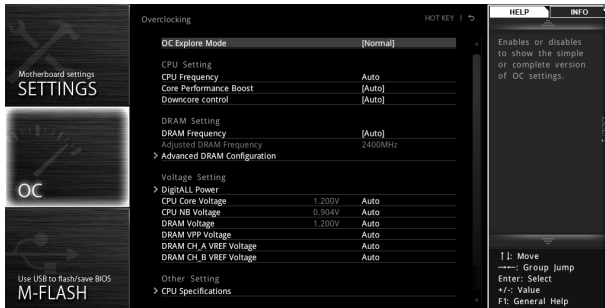
Drücken Sie den **Setup Modus Schalter** oder die Funktionstaste **F7**, um zwischen dem EZ-Modus und Erweiterten-Modus im BIOS-Setup zu wechseln.



- **GAME BOOST Schalter/ Setup Modus Schalter/ Screenshot/ Sprache/ Systeminformation/ Boot-Geräte Prioritätsleiste** - Finden Sie die Informationen in den Beschreibungen der EZ Modus-Abschritt.
- **BIOS-Menü-Auswahl** - Die folgenden Optionen stehen zur Verfügung.
  - **SETTINGS** - Mit diesem Menü können Sie die Parameter für Chipsatz, Boot-Geräte angeben.
  - **OC** - Hier können Sie die Frequenz und Spannung anpassen. Die Erhöhung der Frequenz kann eine bessere Leistung erreichen.
  - **M-FLASH** - M-Flash erlaubt es, das BIOS mit einem USB-Flash-Laufwerk zu aktualisieren.
  - **OC PROFILE** - In diesem Menü werden die verschiedenen Overclocking-Profile gespeichert.
  - **HARDWARE MONITOR** - Hier können Sie die Geschwindigkeiten der Lüfter anpassen und die Spannungen des Systems überwachen.
  - **BOARD EXPLORER** - Zeigt Ihnen Informationen über Geräte an, die an das Mainboard angeschlossen sind.
- **Menüanzeige** - Dieser Bereich ermöglicht die Konfiguration von BIOS Einstellungen.

## OC Menü

In diesem Menü können Benutzer das BIOS anpassen und das Mainboard übertakten. Bitte führen Sie nur Änderungen durch, wenn Sie sich über das Ergebnis im Klaren sind. Sie sollten Erfahrung beim Übertakten haben, da Sie sonst das Motherboard oder Komponenten des Systems beschädigen können.



### Wichtig

- Die Übertaktung ist nur für fortgeschrittene Benutzer zu empfehlen.
- Eine erfolgreiche Übertaktung ist nicht gewährleistet. Die Anwendung von Übertaktungsmaßnahmen kann zu Verlust der Garantie oder zur Beschädigung der Hardware führen.

#### ► OC Explore Mode [Normal]

Aktivieren oder deaktivieren Sie die Funktion, um die normale oder Expertenversion des OC-Einstellungen anzuzeigen.

[Normal] Bietet normale Übertaktungseinstellungen im BIOS-Setup.

[Expert] Bietet die erweiterten Übertaktungseinstellungen für den erfahrenen Benutzer, welche die Einstellungen im BIOS-Setup konfigurieren wollen.

Hinweis: Wir verwenden \* als Symbol für die Übertaktungseinstellungen des Erweiterten Modus.

#### ► CPU Frequency [Auto]

Stellt die Frequenz der CPU ein.

#### ► Core Performance Boost [Auto]

Aktiviert oder Deaktiviert die Core Performance Boost (CPB). Diese Option erscheint nur, wenn die CPU die Funktion unterstützt.

#### ► Downcore Control [Auto] (optional)

Legt die Anzahl der verwendeten CPU-Kerne fest. Diese Option erscheint nur, wenn die CPU die Funktion unterstützt.

#### ► DRAM Frequency [Auto]

Setzen Sie die DRAM Frequenz. Bitte beachten Sie, dass ein zuverlässiges Übertaktungsverhalten nicht garantiert werden kann.

#### ► Adjusted DRAM Frequency

Zeigt die Speicherfrequenz an. Nur Anzeige – keine Änderung möglich.

### ► **Advanced DRAM Configuration**

Drücken Sie die **Eingabetaste <Enter>**, um das Untermenü aufzurufen. Der Anwender kann die Speicher-Timing für jeden Kanal des Speichers einstellen. Das System könnte nach dem Ändern der Speicher-Timings instabil werden oder nicht mehr booten. Wenn Instabilität auftritt, löschen Sie bitte die CMOS-Daten und stellen Sie die Standardeinstellungen wieder her. (Lesen Sie bitte den Abschnitt „Clear CMOS Steckbrücke/ Taste (optional)“, um die CMOS-Daten zu löschen, und die Standardeinstellungen auf das BIOS zu laden.)

### ► **DigitALL Power**

Drücken Sie die **Eingabetaste <Enter>**, um das Untermenü aufzurufen. Steuert die digitale CPU PWM.

#### ► **CPU Loadline Calibration Control [Auto]**

Die CPU-Spannung verringert proportional zur CPU-Belastung. Höheres Loadline-Calibration könnten eine höhere Spannung und einen höheren Übertaktungswert bekommen, auch einen Temperaturanstieg der CPU und VRM verursachen. Wenn die Einstellung auf **Auto** gesetzt ist, wird das BIOS diese Einstellungen automatisch konfigurieren.

#### ► **CPU NB Loadline Calibration Control [Auto]**

Die CPU-NB-Spannung verringert proportional zur CPU-NB-Belastung. Höheres Loadline-Calibration könnten eine höhere Spannung und einen höheren Übertaktungswert bekommen, auch einen Temperaturanstieg der CPU und VRM verursachen. Wenn die Einstellung auf **Auto** gesetzt ist, wird das BIOS diese Einstellungen automatisch konfigurieren.

#### ► **CPU Over Voltage Protection [Auto]**

Legen Sie die Spannungsgrenze für den CPU-Überspannungsschutz fest. Wenn die Einstellung auf **Auto** gesetzt ist, wird das BIOS diese Einstellungen automatisch konfigurieren. Höhere Spannung bietet weniger Sicherheit und kann das System beschädigen.

#### ► **CPU Under Voltage Protection [Auto]**

Legen Sie die Spannungsgrenze für den CPU-Unterspannungsschutz fest. Wenn die Einstellung auf **Auto** gesetzt ist, wird das BIOS diese Einstellungen automatisch konfigurieren. Höhere Spannung bietet weniger Schutz und kann das System beschädigen.

#### ► **CPU Over Current Protection [Auto]**

Legen Sie den aktuellen Grenzwert für den CPU-Überstromschutz fest. Wenn die Einstellung auf **Auto** gesetzt ist, wird das BIOS diese Einstellungen automatisch konfigurieren.

[Auto] Diese Einstellungen werden vom BIOS automatisch konfiguriert.

[Enhanced] Erweitert die Begrenzung des Speicher-Überstromschutz.

#### ► **VR 12VIN OCP Expander [Auto]**

Erweitert die Begrenzung des VR-Überstromschutzes mit 12 V Eingangsspannung. Dies kann aufgrund erhöhter Toleranz einen geringeren Schutz bedeuten. Bitte passen Sie deshalb den Strom sorgfältig an, um Beschädigungen des CPU/ VR MOS zu vermeiden. Wenn die Einstellung auf [Auto] gesetzt ist, wird das BIOS diese Einstellungen automatisch konfigurieren.

### ► CPU Voltages control [Auto]

Erlaubt das Einstellen der CPU-Spannungen. Wenn die Einstellung auf **Auto** gesetzt ist, wird das BIOS die Spannungen automatisch einstellen oder Sie können es manuell einstellen.

### ► DRAM/PROM Voltages control [Auto]

Erlaubt das Einstellen der DRAM-Spannungen. Wenn die Einstellung auf **Auto** gesetzt ist, wird das BIOS die Spannungen automatisch einstellen oder Sie können es manuell einstellen.

### ► CPU Memory Changed Detect [Enabled]\*

Aktiviert oder deaktiviert die System-Warnmeldung beim Booten, wenn die CPU oder der Speicher ersetzt wurde.

[Enabled] Das System wird eine Warnung während des Bootvorgangs ausgeben und Sie müssen die Standardeinstellungen für neue Geräte laden.

[Disabled] Deaktiviert diese Funktion und hält die aktuellen BIOS Einstellungen bei.

### ► CPU Specifications

Drücken Sie die **Eingabetaste <Enter>**, um das Untermenü aufzurufen. Das Untermenü zeigt die Informationen der installierten CPU an. Zu diesen Informationen gelangen Sie, indem Sie die Taste [F4] drücken. Nur Anzeige.

#### ► CPU Technology Support

Drücken Sie die **Eingabetaste <Enter>**, um das Untermenü aufzurufen. Das Untermenü zeigt die wichtigsten Eigenschaften der installierten CPU an.

### ► MEMORY-Z

Drücken Sie die **Eingabetaste <Enter>**, um das Untermenü aufzurufen. Dieses Untermenü zeigt alle Einstellungen und Timings des installierten Speichers. Zu diesen Informationen gelangen Sie auch, indem Sie die Taste [F5] drücken.

#### ► DIMMx Memory SPD

Drücken Sie die **Eingabetaste <Enter>**, um das Untermenü aufzurufen. Das Untermenü zeigt die Informationen des verwendeten Speichers an. Nur Anzeige.

### ► CPU Features

Drücken Sie die **Eingabetaste <Enter>**, um das Untermenü aufzurufen.

#### ► AMD Cool' n' Quiet [Enabled]

Die Cool' n' Quiet-Technologie kann die CPU-Geschwindigkeit und den Stromverbrauch effizient und dynamisch herabsetzen.

#### ► SVM Mode [Disabled]

Aktiviert oder deaktiviert die CPU-Virtualisierungsfunktion.

#### ► Core C6 state [Enabled]

Aktiviert oder deaktiviert die C6-Funktion.

# Softwarebeschreibung

Laden Sie die neuesten Treiber und Dienstprogramme von [www.msi.com](http://www.msi.com) herunter und aktualisieren Sie sie.

## Installation von Windows® 7 64-Bit/ Windows® 10 64-Bit

1. Schalten Sie den Computer ein.
2. Legen Sie die Windows® 7/ 10 Disk in das optisches Laufwerk.  
**Hinweis:** Auf Grund einer Chipsatz-Limitierung werden während des Windows® 7 Installationsprozesses keine optischen Laufwerke und USB-Laufwerke oder USB-Sticks unterstützt. Zur einfachen Windows® 7-Installation können Sie das **MSI Smart Tool** verwenden.
3. Drücken Sie die Taste **Restart** auf dem Computergehäuse.
4. Drücken Sie die **F11**-Taste während des POST-Vorgangs (Power-On Self Test), um das Bootmenu zu öffnen.
5. Wählen Sie das optische Laufwerk aus dem Bootmenu.
6. Wenn eine entsprechende Meldung **Press any key to boot from CD or DVD...** angezeigt wird, drücken Sie eine beliebige Taste.
7. Folgen Sie den Anweisungen auf dem Bildschirm, um das Dienstprogramm „Windows® 7/10“ zu installieren.

## Installation von Treibern

1. Starten Sie Ihren Computer mit Windows® 7/ 10.
2. Legen Sie die MSI® Treiber Disk in das optisches Laufwerk.
3. Der Installer wird automatisch erscheint und findet und finden Sie die benötigten Treiber in die Liste.
4. Klicken Sie auf **Install**.
5. Die Software-Installation ist im Gange. Wenn die Installation abgeschlossen ist, werden Sie dazu aufgefordert, den Computer neu zu starten.
6. Klicken Sie auf **OK** zum Beenden.
7. Starten Sie Ihren Computer neu.

## Installation von Utilities

Bevor Sie Anwendungen installieren, müssen Sie die Treiber-Installation vollständig beendet haben.

1. Legen Sie die MSI® Treiber Disk in das optisches Laufwerk.
2. Der Installer wird automatisch erscheint.
3. Klicken Sie auf **Utilities**.
4. Wählen Sie die Dienstprogramme, die installiert werden soll.
5. Klicken Sie die Taste **Install**.
6. Die Utilities-Installation ist im Gange. Wenn die Installation abgeschlossen ist, werden Sie dazu aufgefordert, den Computer neu zu starten.
7. Klicken Sie auf **OK** zum Beenden.
8. Starten Sie Ihren Computer neu.

# Table des matières

<b>Informations de sécurité</b> .....	<b>3</b>
<b>Spécifications</b> .....	<b>4</b>
<b>Panneau arrière Entrée/ Sortie</b> .....	<b>9</b>
Tableau explicatif de l' état de la LED du port LAN .....	9
Configuration des ports audio.....	9
Realtek HD Audio Manager .....	10
<b>Vue d' ensemble des composants</b> .....	<b>12</b>
Socket processeur .....	13
Slots DIMM .....	14
PCI_E1~6: Slots d' extension PCIe .....	15
M2_1: Slots M.2 (Touche M).....	18
SATA1~6: Connecteurs SATA 6 Gb/s .....	19
CPU_PWR1, ATX_PWR1: Connecteurs d' alimentation .....	20
JUSB1~2: Connecteurs USB 2.0.....	21
JUSB3~4: Connecteurs USB 3.1 Gen1 .....	21
CPU_FAN1, PUMP_FAN1, SYS_FAN1~4: Connecteurs pour ventilateurs.....	22
JAUD1: Connecteur audio avant.....	23
JCI1: Connecteur intrusion châssis .....	23
JFP1, JFP2: Connecteurs de panneau avant .....	24
JTPM1: Connecteur de module TPM.....	24
JBAT1: Cavalier Clear CMOS (Réinitialisation BIOS) .....	25
JLPT1: Connecteur de port parallèle.....	25
JCOM1: Connecteur de port série.....	26
JLED1: Connecteur LED RGB .....	26
<b>Indicateurs LED embarqués</b> .....	<b>27</b>
EZ Debug LED.....	27
Indicateurs LED des barrettes DIMM.....	27
Indicateur LED du GPU.....	27
Indicateurs LED du slot PCIe x16 .....	27
<b>Configuration du BIOS</b> .....	<b>28</b>
Entrer dans l' interface Setup du BIOS .....	28
Réinitialiser le BIOS.....	29
Mettre le BIOS à jour .....	29
EZ Mode (mode simplifié).....	30
Advanced Mode (mode avancé) .....	32
OC Menu (menu overclocking).....	33

<b>Informations sur les logiciels.....</b>	<b>36</b>
Installer Windows® 7 64-bit/ Windows®10 64-bit.....	36
Installer les pilotes.....	36
Installer les utilitaires.....	36

# Informations de sécurité

- Les composants dans l' emballage peuvent être endommagés par des décharges électrostatiques (ESD). Pour vous assurer de correctement monter votre ordinateur, veuillez vous référer aux instructions ci-dessous.
- Assurez-vous de bien connecter tous les composants. En cas de mauvaise connexion, il se peut que l' ordinateur ne reconnaisse pas le composant et que le démarrage échoue.
- Veuillez tenir la carte mère par les bords pour éviter de toucher les composants sensibles.
- Il est recommandé de porter un bracelet antistatique lors de la manipulation de la carte mère pour prévenir tout dommage. Si vous n' avez pas de bracelet antistatique, touchez un objet métallique relié à la terre avant de manipuler la carte mère afin de vous décharger de votre charge statique. Touchez régulièrement l' objet métallique pendant toute la manipulation.
- Tant que la carte mère n' est pas installée, conservez-la dans un récipient protégé contre les ondes électrostatiques ou sur une couche antistatique.
- Avant de démarrer l' ordinateur, vérifiez si toutes les vis et les composants métalliques sont bien fixés sur la carte mère ou ailleurs dans le boîtier de l' ordinateur.
- Ne démarrez pas l' ordinateur avant d' avoir terminé l' installation. Ceci peut endommager les composants ou vous blesser.
- Si vous avez besoin d' aide pendant l' installation, veuillez consulter un technicien informatique certifié.
- Avant d' installer les composants d' ordinateur, veuillez toujours mettre hors tension et débrancher le cordon d' alimentation.
- Gardez ce manuel pour références futures.
- Protégez ce manuel contre l' humidité.
- Avant de brancher le bloc d' alimentation sur la sortie électrique, veuillez vous assurer que la tension de la sortie électrique est bien égale à celle du bloc d' alimentation.
- Placez le cordon d' alimentation de façon à éviter que l' on marche dessus. Ne posez rien sur le cordon d' alimentation.
- Veuillez prêter attention à toutes les alertes et remarques indiquées sur la carte mère.
- Dans un cas comme ci-dessous, faites appel au service autorisé pour vérifier votre carte mère :
  - Un liquide a pénétré dans l' ordinateur.
  - La carte mère a été exposée à de l' humidité.
  - La carte mère ne fonctionne pas comme indiqué dans les instructions.
  - La carte mère est tombée par terre et a été endommagée.
  - La carte mère est cassée.
- Ne pas mettre la carte mère dans un environnement dont la température est supérieure à 60°C (140°F) sous peine de l'endommager.

# Spécifications

CPU	Support des processeurs des séries AMD® RYZEN et des processeurs de série A ou Athlon™ de 7ème génération pour socket AM4
Chipset	Chipset AMD® X370
Mémoire	<ul style="list-style-type: none"> <li>• 4 x slots pour mémoire DDR4, support jusqu' à 64 Go             <ul style="list-style-type: none"> <li>▪ Support DDR4 1866/ 2133/ 2400/ 2667(OC)/ 2933(OC)/ 3200(OC)+ Mhz *</li> </ul> </li> <li>• Architecture mémoire double canal</li> <li>• Support mémoire non-ECC UDIMM</li> <li>• Support mémoire ECC UDIMM (mode non-ECC)</li> </ul> <p>* Les processeurs de série A ou Athlon™ de 7ème génération supportent au maximum un taux de transfert de 2400 MHz. Veuillez vous référer au site <a href="http://www.msi.com">www.msi.com</a> pour plus d' informations sur la mémoire compatible.</p>
Slots d' extension	<ul style="list-style-type: none"> <li>• 2 x slots PCIe 3.0 x16 (PCI_E2, PCI_E4)             <ul style="list-style-type: none"> <li>▪ Les processeurs des séries RYZEN supportent les modes x16/x0, x8/x8</li> <li>▪ Les processeurs de série A ou Athlon™ de 7ème génération supportent le mode x8/x0</li> </ul> </li> <li>• 1 x slot PCIe 2.0 x16 (PCI_E6, support mode x4)*</li> <li>• 3 x slots PCIe 2.0 x1</li> </ul> <p>* Le slot PCI_E6 fonctionnera avec un débit PCIe 2.0 x1 lorsqu' un périphérique est installé dans un slot PCIe x1.</p>
Sorties vidéo intégrées	<ul style="list-style-type: none"> <li>• 1 x port DVI-D, supportant une résolution maximum de 1920x1200@60Hz, 1600x1200@60Hz*</li> <li>• 1 x port HDMI™ 1.4, supportant une résolution maximum de 2560x1600@60Hz*</li> </ul> <p>* Cette résolution est seulement supportée lors de l' utilisation d' un processeur de série A ou Athlon™ de 7ème génération.</p>
Multi-GPU	<ul style="list-style-type: none"> <li>• Processeur des séries RYZEN             <ul style="list-style-type: none"> <li>▪ Support de la technologie NVIDIA® SLI™ 2-Way</li> <li>▪ Support de la technologie AMD® CrossFire™ 3-Way</li> </ul> </li> <li>• Processeur de série A ou Athlon™ de 7ème génération             <ul style="list-style-type: none"> <li>▪ Support de la technologie AMD® CrossFire™ 2-Way</li> </ul> </li> </ul>

Suite du tableau sur la page suivante

Suite du tableau de la page précédente

Stockage	<p>Chipset AMD® X370</p> <ul style="list-style-type: none"> <li>• 6 x ports SATA 6 Gb/s</li> <li>• 1 x port M.2 (Touche M) <ul style="list-style-type: none"> <li>▪ Support PCIe 3.0 x4 (processeurs des séries RYZEN) ou PCIe 3.0 x2 (processeurs de série A ou Athlon™ de 7ème génération) et des périphériques de stockage SATA 6 Gb/s 2242/ 2260/ 2280/ 22110</li> </ul> </li> <li>• Support des architectures RAID 0, RAID 1 et RAID 10</li> </ul>
USB	<ul style="list-style-type: none"> <li>• Chipset ASMedia® ASM2142 <ul style="list-style-type: none"> <li>▪ 1 x port USB 3.1 Gen2 SuperSpeed USB 10Gbps Type-C sur le panneau arrière</li> <li>▪ 1 x port USB 3.1 Gen2 SuperSpeed USB 10Gbps Type-A sur le panneau arrière</li> </ul> </li> <li>• Chipset AMD® X370 <ul style="list-style-type: none"> <li>▪ 4 x ports USB 3.1 Gen1 SuperSpeed USB disponibles par l'intermédiaire des connecteurs USB internes</li> <li>▪ 6 x ports USB 2.0 High-speed USB (2 ports Type-A sur le panneau arrière, 4 ports disponibles par l'intermédiaire des connecteurs USB internes)</li> </ul> </li> <li>• Processeur AMD® <ul style="list-style-type: none"> <li>▪ 4 x ports USB 3.1 Gen1 SuperSpeed USB Type-A sur le panneau arrière</li> </ul> </li> </ul>
Audio	<ul style="list-style-type: none"> <li>• Realtek® ALC892 Codec</li> <li>• Audio haute définition 7.1</li> </ul>
LAN	<ul style="list-style-type: none"> <li>• 1 x contrôleur Realtek® 8111H Gigabit LAN</li> </ul>
Connecteurs sur le panneau arrière	<ul style="list-style-type: none"> <li>• 1 x port clavier/ souris PS/2</li> <li>• 2 x ports USB 2.0 Type-A</li> <li>• 1 x port DVI-D</li> <li>• 1 x port HDMI™ 1.4</li> <li>• 1 x port LAN (RJ45)</li> <li>• 4 x ports USB 3.1 Gen1 Type-A</li> <li>• 1 x port USB 3.1 Gen2 Type-A</li> <li>• 1 x port USB 3.1 Gen2 Type-C</li> <li>• 6 x jacks audio</li> </ul>

Suite du tableau sur la page suivante

Suite du tableau de la page précédente

Connecteurs internes	<ul style="list-style-type: none"> <li>• 1 x connecteur d'alimentation ATX 12V 24 broches</li> <li>• 1 x connecteur d'alimentation ATX 12V 8 broches</li> <li>• 6 x connecteurs SATA 6 Gb/s</li> <li>• 2 x connecteurs USB 2.0 (support de 4 autres ports USB 2.0)</li> <li>• 2 x connecteurs USB 3.1 Gen1 (support de 4 autres ports USB 3.1 Gen1)</li> <li>• 1 x connecteur de ventilateurs CPU 4 broches</li> <li>• 1 x connecteur de ventilateur PUMP 4 broches (support jusqu'à 2A)</li> <li>• 4 x connecteurs de ventilateurs système 4 broches</li> <li>• 1 x connecteur LED RGB</li> <li>• 1 x connecteur de module TPM</li> <li>• 1 x connecteur de port série</li> <li>• 1 x connecteur de port parallèle</li> <li>• 1 x connecteur audio avant</li> <li>• 2 x connecteurs de panneau système</li> <li>• 1 x connecteur intrusion châssis</li> <li>• 1 x cavalier Clear CMOS</li> </ul>
Contrôleur E/S	Contrôleur NUVOTON NCT6795D
Moniteur système	<ul style="list-style-type: none"> <li>• Détection de la température du CPU et du système</li> <li>• Détection de la vitesse du ventilateur du CPU et du système</li> <li>• Contrôle de la vitesse du ventilateur du CPU et du système</li> </ul>
Dimensions	<ul style="list-style-type: none"> <li>• Format ATX</li> <li>• 30,4 cm x 24,3 cm (12" x 9,6")</li> </ul>
Fonctions BIOS	<ul style="list-style-type: none"> <li>• 1x flash BIOS 128 Mb</li> <li>• BIOS UEFI AMI</li> <li>• ACPI 5.0, PnP 1.0a, SM BIOS 2.8</li> <li>• Multilingue</li> </ul>

Suite du tableau sur la page suivante

Suite du tableau de la page précédente

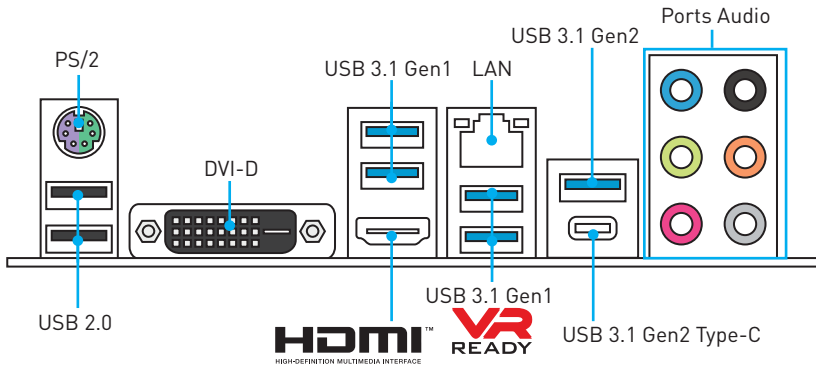
Logiciel	<ul style="list-style-type: none"><li>• Pilotes</li><li>• COMMAND CENTER</li><li>• LIVE UPDATE 6</li><li>• SUPER CHARGER</li><li>• GAMING APP</li><li>• RAMDISK</li><li>• X-BOOST</li><li>• MSI SMART TOOL</li><li>• GAMING LAN MANAGER</li><li>• Nahimic 2</li><li>• Norton™ Internet Security Solution</li><li>• Google Chrome™, Google Toolbar et Google Drive</li><li>• SteelSeries Engine 3</li><li>• CPU-Z MSI GAMING</li><li>• DRAGON EYE</li></ul>
----------	--

Suite du tableau sur la page suivante

Suite du tableau de la page précédente

Fonctions spéciales	<ul style="list-style-type: none"><li>• VR Boost</li><li>• Audio Boost</li><li>• Nahimic 2</li><li>• GAMING LAN avec Gaming LAN Manager</li><li>• Turbo M.2</li><li>• Ventilateurs pour la pompe</li><li>• Contrôle des ventilateurs</li><li>• Gaming DNA avec LED en bas</li><li>• Mystic light SYNC</li><li>• EZ debug LED</li><li>• Steel Armor PCI-E avec peinture par immersion</li><li>• Steel Armor M.2</li><li>• Port USB plaqué or de type A et C</li><li>• Technologie Multi GPU – SLI</li><li>• Technologie Multi GPU – CrossFire</li><li>• DDR4 Boost</li><li>• GAME Boost</li><li>• Lightning USB</li><li>• Military Class 4</li><li>• 7000+ Quality Test</li><li>• GAMING HOTKEY</li><li>• Contrôle de la souris GAMING</li><li>• Click BIOS 5</li><li>• AMD FreeSync™ Ready</li><li>• AMD OverDrive™ Ready</li><li>• GAMING Certifié</li><li>• SteelSeries Certifié</li><li>• WTFast GPN*<ul style="list-style-type: none"><li>▪ License Premium de 2 mois</li><li>▪ Amélioration du réseau multiserveur</li><li>▪ Réduction du lag et des risques de déconnexion</li></ul></li></ul> <p>* Cette fonctionnalité dépend d' une offre limitée dans le temps. Veuillez vous référer au site <a href="http://www.msi.com">www.msi.com</a> pour plus d' informations.</p>
---------------------	---

# Panneau arrière Entrée/ Sortie



## Tableau explicatif de l' état de la LED du port LAN

LED indiquant la connexion et l'activité		LED indiquant la vitesse								
Etat	Description									
Eteint	Pas de connexion	<table border="1"> <thead> <tr> <th>Etat</th> <th>Description</th> </tr> </thead> <tbody> <tr> <td>Eteint</td> <td>Débit de 10 Mbps</td> </tr> <tr> <td>Vert</td> <td>Débit de 100 Mbps</td> </tr> <tr> <td>Orange</td> <td>Débit de 1 Gbps</td> </tr> </tbody> </table>	Etat	Description	Eteint	Débit de 10 Mbps	Vert	Débit de 100 Mbps	Orange	Débit de 1 Gbps
Etat	Description									
Eteint	Débit de 10 Mbps									
Vert	Débit de 100 Mbps									
Orange	Débit de 1 Gbps									
Jaune	Connexion correcte									
Clignote	Activité en cours									

## Configuration des ports audio

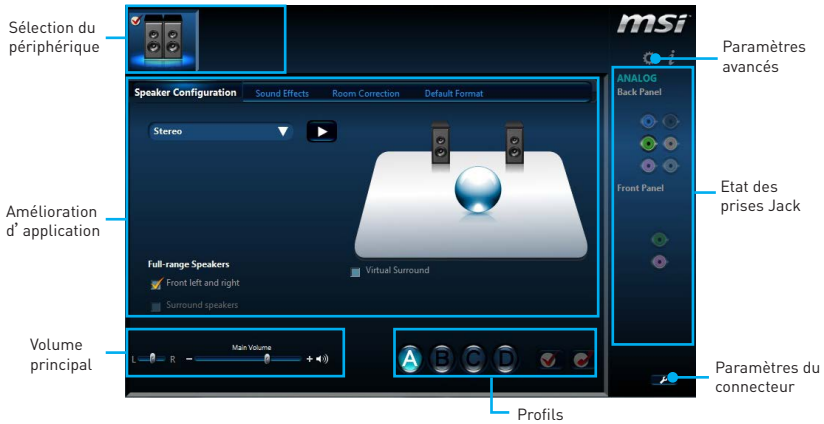
The diagram shows the audio ports (blue, green, orange, pink) with colored lines connecting them to the corresponding rows in the table below.

Ports Audio	Canal			
	2	4	6	8
Ligne-entrée				
Ligne-sortie/ Sortie casque avant	●	●	●	●
Microphone entrée				
Sortie audio haut-parleur arrière		●	●	●
Sortie centre/ Caisson de basse			●	●
Sortie audio haut-parleur côté				●

(● : connecté, **Espace** : vide)

## Realtek HD Audio Manager

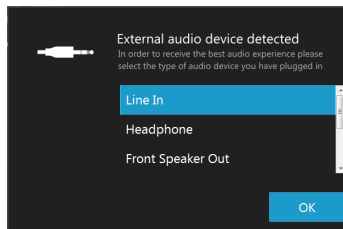
Après l'installation du pilote **Realtek HD Audio**, l'icône **Realtek HD Audio Manager** apparaît dans la barre des tâches du système. Double-cliquez sur l'icône pour lancer le programme.



- **Sélection du périphérique** - vous permet de sélectionner une source de sortie audio pour en modifier les paramètres. Le symbole de coche indique le périphérique sélectionné par défaut.
- **Amélioration d'application** - les diverses options vous fournissent un guide complet des effets acoustiques proposés pour les périphériques de sortie et d'entrée.
- **Volume principal** - contrôle le volume ou équilibre le son gauche/droite des haut-parleurs branchés sur le panneau avant ou derrière en ajustant la barre de volume.
- **Profils** - bascule entre les profils.
- **Paramètres avancés** - fournit le mécanisme pour gérer deux flux audio indépendants.
- **Etat des prises Jack** - présente tous les périphériques de diffusion et de capture connectés à votre ordinateur.
- **Paramètres du connecteur** - configure les paramètres de connexion.

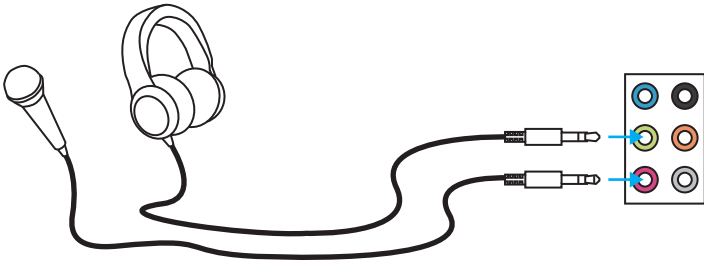
## Dialogue pop up automatique

Lorsqu'un périphérique est branché sur une prise audio, une fenêtre de dialogue apparaît vous demande de choisir le périphérique connecté que vous souhaitez utiliser.

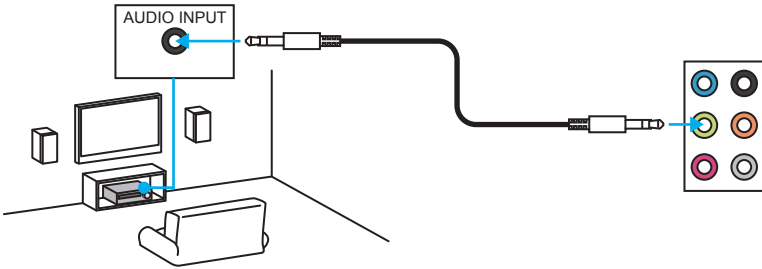


Chaque jack est réglé avec ses paramètres par défaut comme indiqué sur la page suivante.

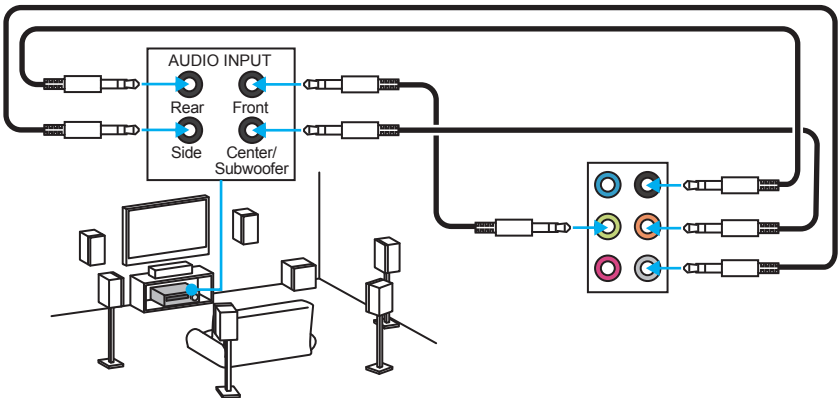
### Illustration de l' utilisation des ports audio dédiés au casque et au microphone



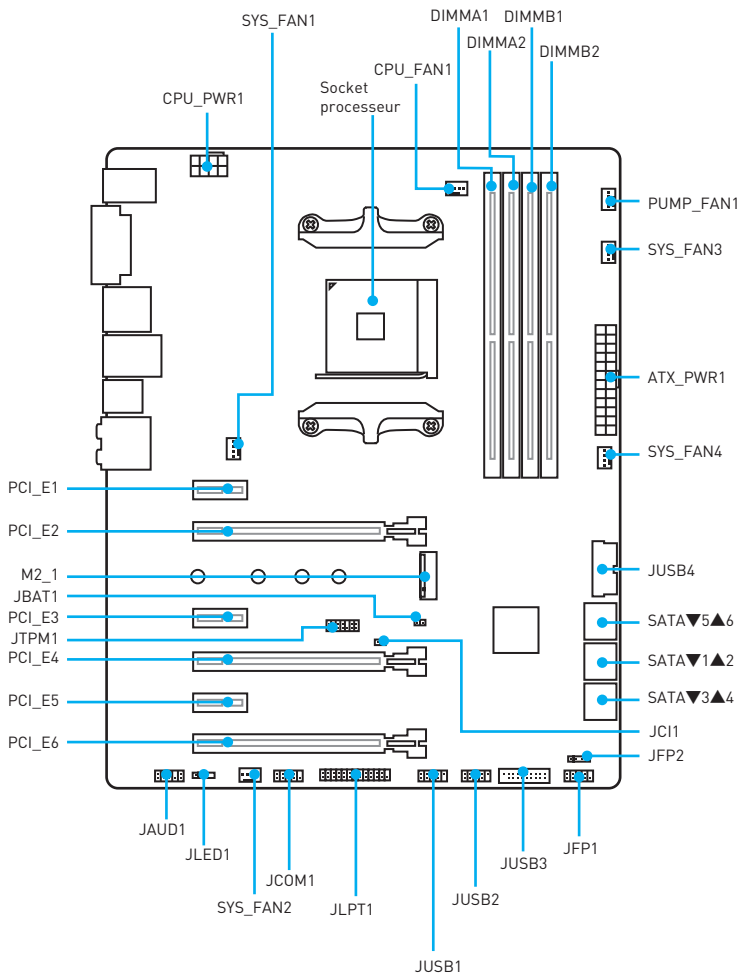
### Illustration de l' utilisation du port audio dédié aux haut-parleurs



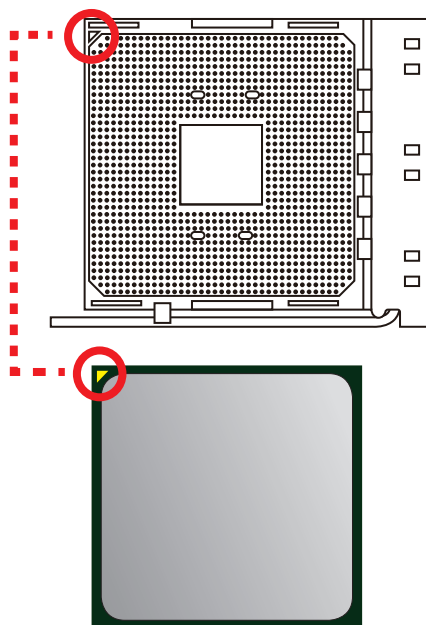
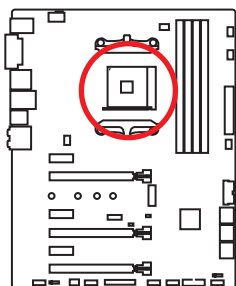
### Illustration de l' utilisation des ports audio dédiés aux haut-parleurs 7.1



# Vue d'ensemble des composants



## Socket processeur



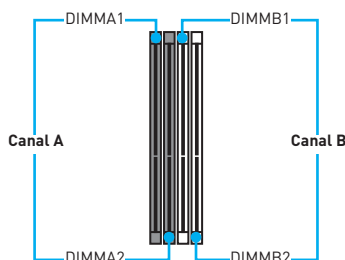
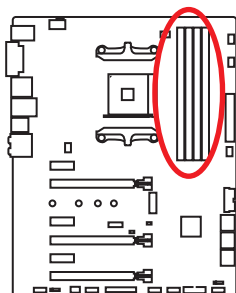
### Présentation du socket AM4

Sur le socket AM4, vous remarquerez un triangle jaune servant d'indicateur pour placer le processeur dans la bonne position sur la carte mère. Le triangle jaune correspond à la broche 1 du processeur.

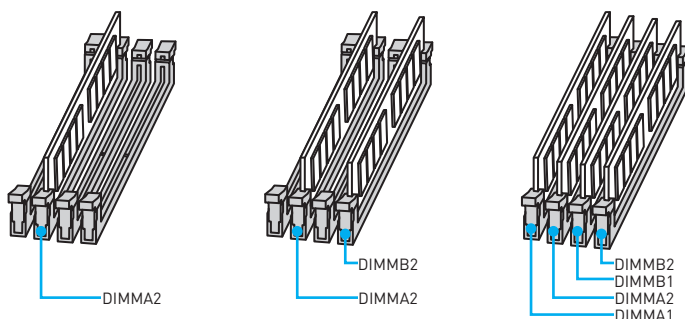
### Important

- Lorsque vous changez le processeur, il se peut que la configuration du système soit effacée et que le BIOS soit réinitialisé à ses valeurs par défaut en raison de l'architecture du processeur AM4.
- Avant d'installer ou de retirer le processeur du socket, veuillez à toujours débrancher le câble d'alimentation de la prise électrique.
- Lors de l'installation d'un processeur, n'oubliez pas d'installer un ventilateur pour processeur. Un ventilateur de processeur est nécessaire pour protéger le processeur contre la surchauffe et maintenir la stabilité du système.
- Assurez-vous de l'étanchéité entre le ventilateur et le processeur avant de démarrer votre système.
- La surchauffe peut facilement endommager le processeur et la carte mère. Assurez-vous toujours que le système de refroidissement fonctionne correctement pour protéger le processeur de la surchauffe. Assurez-vous d'appliquer une couche de pâte thermique (ou adhésif thermique) entre le processeur et le système de refroidissement afin d'améliorer la dissipation de la chaleur.
- Si vous avez acheté un processeur indépendamment du ventilateur, veuillez vous référer à la documentation dans le paquet du ventilateur pour plus d'informations concernant l'installation.
- Cette carte mère supporte l'overclocking. Néanmoins, veuillez vous assurer que vos composants soient capables de tolérer l'overclocking. Prenez note que l'utilisation au-delà des spécifications du constructeur n'est pas recommandée. MSI® ne garantit pas les dommages et risques causés par les utilisations non prévues dans les spécifications du produit.

## Slots DIMM



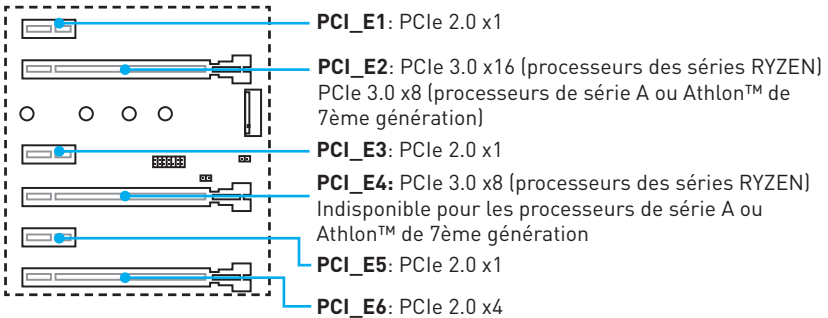
## Installation recommandée de module mémoire



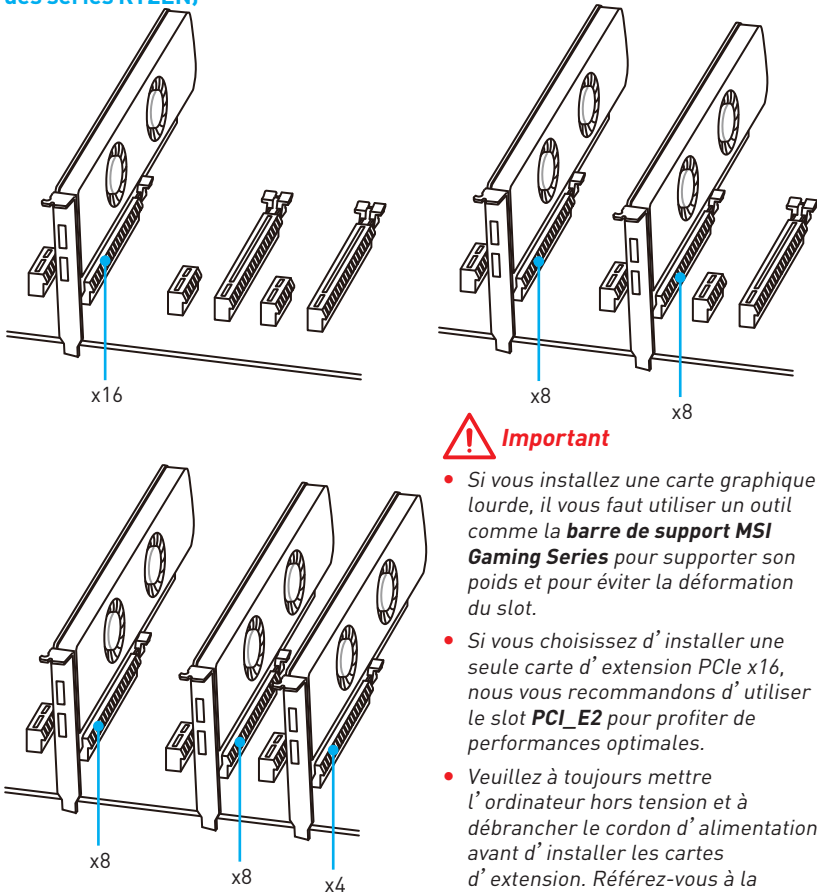
### Important

- Veuillez à toujours insérer un module de mémoire dans l' emplacement **DIMMA2** en premier.
- Du fait des ressources utilisées par le chipset, la capacité de mémoire disponible est un peu moins élevée que celle installée.
- Basé sur les spécifications du processeur Intel, une tension d' une barrette mémoire en dessous de 1.35V est conseillée pour protéger le processeur.
- Certains modules de mémoire peuvent fonctionner à une fréquence réduite par rapport à la valeur indiquée lors de l' overclocking car la fréquence d' opération de mémoire dépend du Serial Presence Detect (SPD). Rendez-vous sur le BIOS et choisissez la fonction **DRAM Frequency!** pour régler la fréquence de mémoire si vous voulez faire fonctionner la mémoire à la fréquence indiquée ou à une fréquence plus élevée.
- Il est recommandé d' utiliser un système de refroidissement qui sera capable de refroidir toutes les barrettes mémoire et d' offrir de bonnes performances lors d' un overclocking.
- La stabilité et la compatibilité du module de mémoire lors de l' overclocking dépendent du processeur et des périphériques installés.
- Du fait des limites officiels des spécifications du contrôleur processeur/ mémoire AM4, les modules de mémoire peuvent fonctionner à une fréquence réduite par rapport à la valeur indiquée en mode défaut. Veuillez vous référer au site [www.msi.com](http://www.msi.com) pour plus d' informations sur la mémoire compatible.

## PCI\_E1~6: Slots d' extension PCIe



### Installation recommandée pour une configuration multi-GPU (processeurs des séries RYZEN)



### Important

- Si vous installez une carte graphique lourde, il vous faut utiliser un outil comme la **barre de support MSI Gaming Series** pour supporter son poids et pour éviter la déformation du slot.
- Si vous choisissez d'installer une seule carte d'extension PCIe x16, nous vous recommandons d'utiliser le slot **PCI\_E2** pour profiter de performances optimales.
- Veuillez à toujours mettre l'ordinateur hors tension et à débrancher le cordon d'alimentation avant d'installer les cartes d'extension. Référez-vous à la documentation des cartes pour vérifier si un composant ou un logiciel doit être modifié.

## Tableaux de débit PCIe

### Pour les processeurs des séries RYZEN

Slot	Unique		2-Way		3-Way
PCI_E1	—	Gen 2.0 x 1	—	Gen 2.0 x 1	—
PCI_E2	Gen 3.0 x 16*	Gen 3.0 x 16*	Gen 3.0 x 8*	Gen 3.0 x 8*	Gen 3.0 x 8*
PCI_E3	—	Gen 2.0 x 1	—	Gen 2.0 x 1	—
PCI_E4	—	—	Gen 3.0 x 8*	Gen 3.0 x 8*	Gen 3.0 x 8*
PCI_E5	—	Gen 2.0 x 1	—	Gen 2.0 x 1	—
PCI_E6	Gen 2.0 x 4	Gen 2.0 x 1	Gen 2.0 x 4	Gen 2.0 x 1	Gen 2.0 x 4*
M2_1	Gen 3.0 x 4	Gen 3.0 x 4	Gen 3.0 x 4	Gen 3.0 x 4	Gen 3.0 x 4

(—: vide, \*: carte graphique)

### Pour les processeurs de série A ou Athlon™ de 7ème génération

Slot	Unique		2-Way
PCI_E1	—	Gen 2.0 x 1	—
PCI_E2	Gen 3.0 x 8*	Gen 3.0 x 8*	Gen 3.0 x 8*
PCI_E3	—	Gen 2.0 x 1	—
PCI_E4	—	—	—
PCI_E5	—	Gen 2.0 x 1	—
PCI_E6	Gen 2.0 x 4	Gen 2.0 x 1	Gen 2.0 x 4*
M2_1	Gen 3.0 x 2	Gen 3.0 x 2	Gen 3.0 x 2

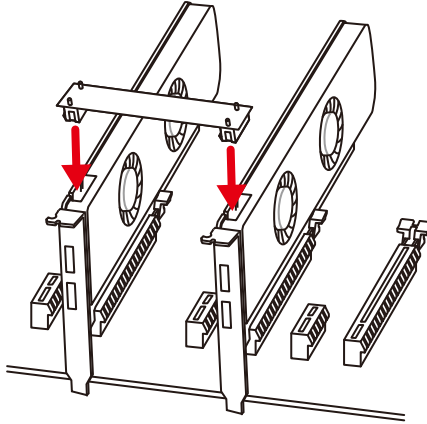
(—: vide, \*: carte graphique)

## Installation des cartes graphiques SLI

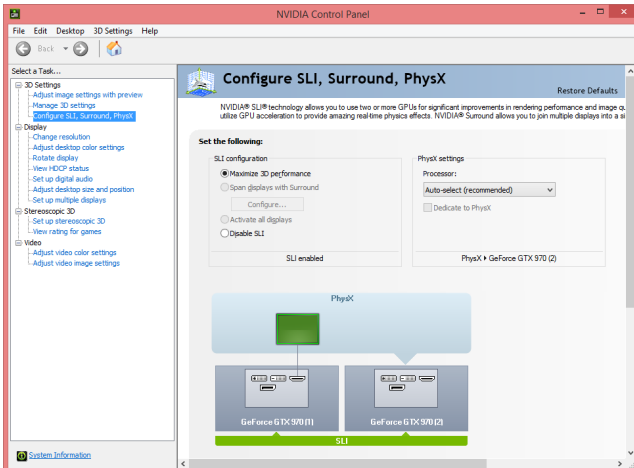
Pour savoir quel type d'alimentation est recommandé pour une configuration SLI, veuillez vous référer au mode d'emploi de votre carte graphique, afin de parfaitement répondre à la demande du système.

Pour installer les cartes graphiques en SLI :

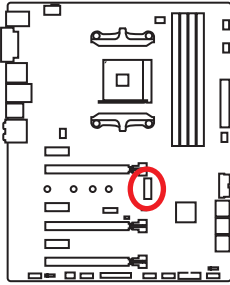
1. Eteignez votre ordinateur et déconnectez le cordon d'alimentation. Installez deux cartes graphiques dans les slots **PCI\_E2** et **PCI\_E4**.
2. Connectez les deux cartes graphiques avec un **pont SLI**.



3. Reliez tous les connecteurs d'alimentation PCIe des cartes graphiques.
4. Reconnectez le cordon d'alimentation, allumez votre ordinateur et installez les pilotes et logiciels fournis avec la carte graphique.
5. Faites un clic droit sur le bureau de Windows et choisissez **NVIDIA Control Panel** dans le menu. Sur l'onglet de gauche, cliquez sur **Configure SLI, Surround, PhysX** dans l'onglet à gauche. Sélectionnez **Maximize 3D performance** dans le menu de configuration SLI et puis cliquez sur **Appliquer**.



## M2\_1: Slots M.2 (Touche M)



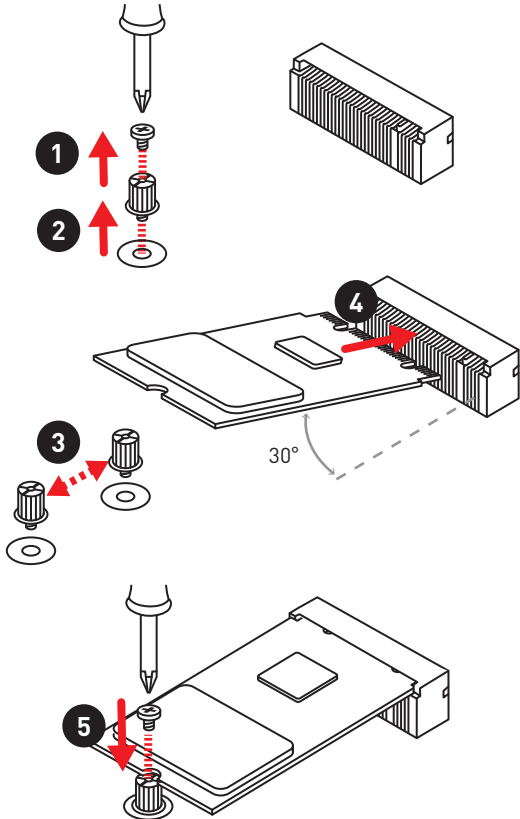
### Vidéo de démonstration

Référez-vous à la vidéo d' instruction sur l' installation de la protection M.2 Shield.

[https://youtu.be/b-N28ajX\\_C4](https://youtu.be/b-N28ajX_C4)

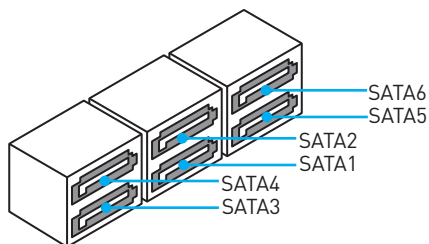
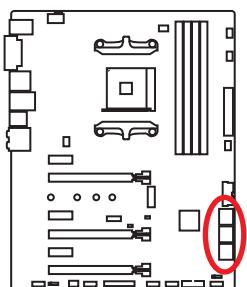
### Installation du module M.2

1. Enlevez la vis de la vis de base.
2. Enlevez la vis de base.
3. Fixez la vis de base dans le trou correspondant à la longueur du module M.2.
4. Insérez votre module M.2 dans l' emplacement M.2 à un angle de 30 degrés.
5. Positionnez la vis dans l' encoche située sur le bord du module M.2 et fixez-la dans la vis de base.



## SATA1~6: Connecteurs SATA 6 Gb/s

Ces connecteurs utilisent une interface SATA 6 Gb/s. Chaque connecteur peut être relié à un appareil SATA.

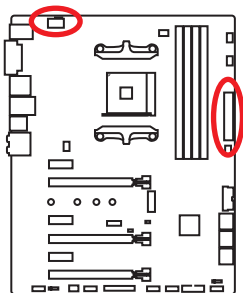


### **Important**

- *Veuillez ne pas plier les câbles SATA à 90° car cela pourrait entraîner une perte de données pendant la transmission.*
- *Les câbles SATA disposent de prises identiques sur chaque côté. Néanmoins, il est recommandé de connecter la prise plate sur la carte mère pour un gain d'espace.*

## CPU\_PWR1, ATX\_PWR1: Connecteurs d'alimentation

Ces connecteurs vous permettent de relier une alimentation ATX.



1	Ground	5	+12V
2	Ground	6	+12V
3	Ground	7	+12V
4	Ground	8	+12V

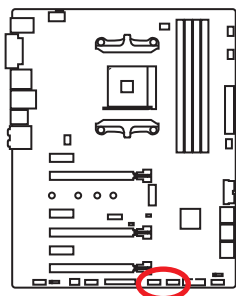
1	+3.3V	13	+3.3V
2	+3.3V	14	-12V
3	Ground	15	Ground
4	+5V	16	PS-ON#
5	Ground	17	Ground
6	+5V	18	Ground
7	Ground	19	Ground
8	PWR OK	20	Res
9	5VSB	21	+5V
10	+12V	22	+5V
11	+12V	23	+5V
12	+3.3V	24	Ground

### Important

*Veillez vous assurer que tous les câbles d'alimentation sont branchés aux connecteurs adéquats afin garantir une opération stable de la carte mère.*

## JUSB1~2: Connecteurs USB 2.0

Ces connecteurs vous permettent de relier des ports USB 2.0 sur le panneau avant.



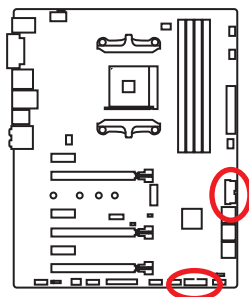
1	VCC	2	VCC
3	USB0-	4	USB1-
5	USB0+	6	USB1+
7	Ground	8	Ground
9	No Pin	10	NC

### Important

- Notez que les broches VCC et Terre doivent être branchées correctement afin d'éviter tout dommage sur la carte mère.
- Pour recharger votre tablette, smartphone ou autre périphérique par l'intermédiaire d'un port USB, veuillez installer l'utilitaire MSI® SUPER CHARGER.

## JUSB3~4: Connecteurs USB 3.1 Gen1

Ces connecteurs vous permettent de relier un port USB 3.1 Gen1 sur le panneau avant.



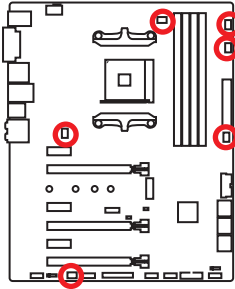
1	Power	11	USB2.0+
2	USB3_RX_DN	12	USB2.0-
3	USB3_RX_DP	13	Ground
4	Ground	14	USB3_TX_C_DP
5	USB3_TX_C_DN	15	USB3_TX_C_DN
6	USB3_TX_C_DP	16	Ground
7	Ground	17	USB3_RX_DP
8	USB2.0-	18	USB3_RX_DN
9	USB2.0+	19	Power
10	NC	20	No Pin

### Important

Notez que les câbles d'alimentation et de terre doivent être branchés correctement afin d'éviter d'endommager la carte.

## CPU\_FAN1, PUMP\_FAN1, SYS\_FAN1~4: Connecteurs pour ventilateurs

Les connecteurs pour ventilateurs peuvent être utilisés en mode PWM (Pulse Width Modulation) et en mode DC. En mode PWM, les connecteurs fournissent une sortie de 12V constante et ajustent la vitesse des ventilateurs avec un signal de contrôle de vitesse. En mode DC, les connecteurs contrôlent la vitesse des ventilateurs en modifiant la tension. Quand vous branchez un ventilateur à 3 broches (Non-PWM) à un connecteur de ventilateur de mode PWM, la vitesse sera toujours maintenue à 100% et cela occasionnera du bruit. Vous pouvez suivre les instructions ci-dessous pour régler manuellement le connecteur de ventilateur en mode PWM ou mode DC.



### Connecteurs pour ventilateurs en mode PWM par défaut



### Connecteurs pour ventilateurs en mode DC par défaut



SYS\_FAN1/ SYS\_FAN3/ SYS\_FAN4

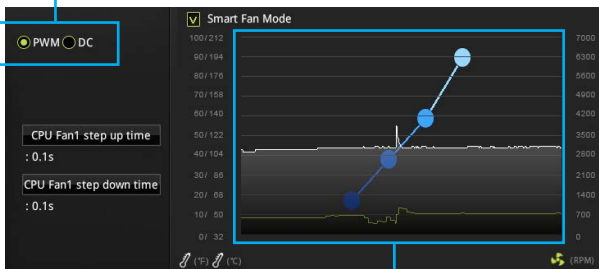


SYS\_FAN2

## Basculer entre les modes des ventilateurs et ajuster la vitesse

Vous pouvez alterner entre le mode PWM et le mode DC et ajuster la vitesse des ventilateurs dans le **BIOS > HARDWARE MONITOR**.

Choisissez le mode **PWM** ou le mode **DC**



Il y a des points de gradient de la vitesse du ventilateur qui vous permet d'ajuster la vitesse de ventilateur par rapport à la température du processeur.

### Important

Veillez vous assurer que les ventilateurs fonctionnent correctement après avoir basculé entre les modes PWM et DC.

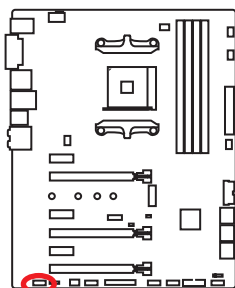
## Définition des broches des connecteurs de ventilateur

Définition des broches en mode PWM			
1	Ground	2	+12V
3	Sense	4	Speed Control Signal

Définition des broches en mode DC			
1	Ground	2	Voltage Control
3	Sense	4	NC

## JAUD1: Connecteur audio avant

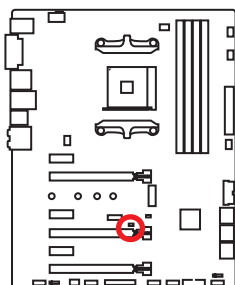
Ce connecteur se lie aux jacks audio du panneau avant.



		2		10
		1		9
1	MIC L	2	Ground	
3	MIC R	4	NC	
5	Head Phone R	6	MIC Detection	
7	SENSE_SEND	8	No Pin	
9	Head Phone L	10	Head Phone Detection	

## JCI1: Connecteur intrusion châssis

Ce connecteur est relié à un câble d'interrupteur intrusion châssis.



Normal  
(défaut)



Commencer l'activité  
intrusion châssis

### Utilisation du détecteur d'intrusion châssis

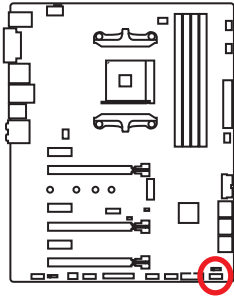
1. Reliez le connecteur **JCI1** à l'interrupteur ou au capteur d'intrusion châssis situé sur le boîtier du PC.
2. Fermez le couvercle du boîtier.
3. Allez dans le **BIOS > SETTINGS (Réglages) > Security (Sécurité) > Chassis Intrusion Configuration (Configuration intrusion châssis)**.
4. Réglez **Chassis Intrusion (intrusion châssis)** sur **Enabled (Activé)**.
5. Appuyez sur **F10** pour sauvegarder et quitter. Ensuite appuyez sur la touche **Enter (Entrée)** pour choisir **Yes (Oui)**.
6. Désormais, si le boîtier du PC est ouvert quand l'ordinateur est allumé, vous recevrez un message d'alerte à l'écran.

### Réinitialisation de l'alerte intrusion châssis

1. Allez dans le **BIOS > SETTINGS (Réglages) > Security (Sécurité) > Chassis Intrusion Configuration (Configuration intrusion châssis)**.
2. Mettez **Chassis Intrusion (Intrusion châssis)** en **Reset (Remettre)**.
3. Appuyez sur **F10** pour sauvegarder et quitter. Ensuite appuyez sur la touche **Enter (Entrée)** pour choisir **Yes (Oui)**.

## JFP1, JFP2: Connecteurs de panneau avant

Ces connecteurs se lient aux interrupteurs et indicateurs LED du panneau avant.

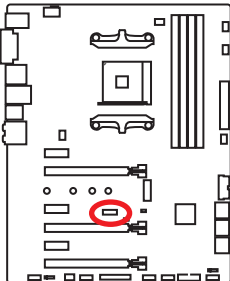


1	HDD LED +	2	Power LED +
3	HDD LED -	4	Power LED -
5	Reset Switch	6	Power Switch
7	Reset Switch	8	Power Switch
9	Reserved	10	No Pin

1	Speaker -	2	Buzzer +
3	Buzzer -	4	Speaker +

## JTPM1: Connecteur de module TPM

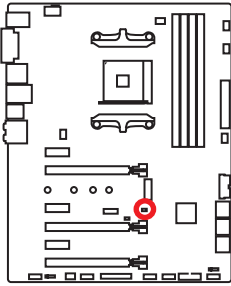
Ce connecteur est relié à un module TPM (Trusted Platform Module). Veuillez vous référer au manuel du module TPM pour plus d'informations.



1	LPC Clock	2	3V Standby power
3	LPC Reset	4	3.3V Power
5	LPC address & data pin0	6	Serial IRQ
7	LPC address & data pin1	8	5V Power
9	LPC address & data pin2	10	No Pin
11	LPC address & data pin3	12	Ground
13	LPC Frame	14	Ground

## JBAT1: Cavalier Clear CMOS (Réinitialisation BIOS)

Une mémoire CMOS est intégrée et est alimentée en externe par une batterie située sur la carte mère afin de conserver les données de configuration système. Si vous souhaitez nettoyer la configuration système, placez le cavalier sur Effacer CMOS de manière à nettoyer la mémoire CMOS.



Conserver  
les données  
(défaut)



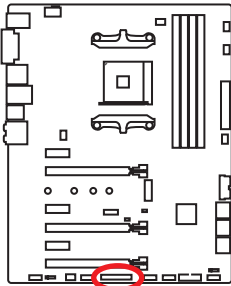
Effacer CMOS/  
Réinitialiser BIOS

### Réinitialiser le BIOS aux valeurs par défaut

1. Eteignez l'ordinateur mais **NE PAS** débrancher le câble d'alimentation de la prise électrique (système en mode S5/ Soft-off).
2. Utilisez un couvercle de cavalier pour fermer JBAT1 pour environ 5-10 secondes.
3. Enlevez le couvercle de cavalier du JBAT1.
4. Allumez l'ordinateur.

## JLPT1: Connecteur de port parallèle

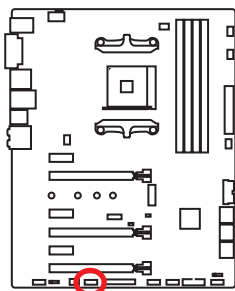
Ce connecteur sert à connecter un support de port parallèle optionnel.

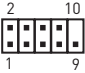


1	RSTB#	2	AFD#	3	PRND0
4	ERR#	5	PRND1	6	PINIT#
7	PRND2	8	LPT_SLIN#	9	PRND3
10	Ground	11	PRND4	12	Ground
13	PRND5	14	Ground	15	PRND6
16	Ground	17	PRND7	18	Ground
19	ACK#	20	Ground	21	BUSY
22	Ground	23	PE	24	Ground
25	SLCT	26	No Pin		

## JCOM1: Connecteur de port série

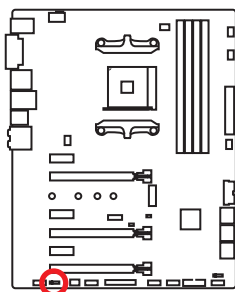
Ce connecteur vous permet de relier un port série en option.

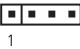


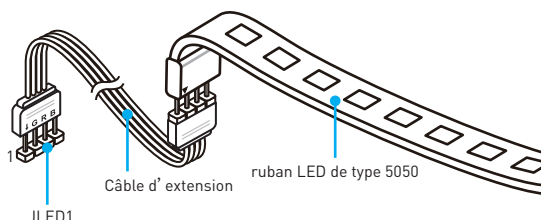
			
1	DCD	2	SIN
3	SOUT	4	DTR
5	Ground	6	DSR
7	RTS	8	CTS
9	RI	10	No Pin

## JLED1: Connecteur LED RGB

Ce connecteur vous permet de connecter des rubans LED RGB de type 5050.



			
1	+12V	2	G
3	R	4	B



### Vidéo de démonstration

Référez-vous à la vidéo d'instruction sur l'installation des rubans LED RGB de type 5050 au connecteur LED RGB.

<https://youtu.be/CqNHADzd2Q>

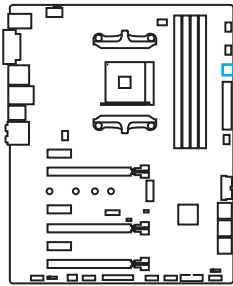
### Important

- Ce connecteur supporte des rubans LED de type 5050 avec une puissance nominale maximale de 3A (12V). Veuillez garder la longueur du ruban LED inférieure à 2 mètres pour éviter la gradation des couleurs.
- Avant d'installer ou de retirer le ruban LED, veuillez à toujours éteindre l'alimentation et à débrancher le câble d'alimentation de la prise électrique.
- Veuillez utiliser l'application GAMING APP pour contrôler le ruban LED étendu.

# Indicateurs LED embarqués

## EZ Debug LED

Ces LEDs indiquent l'état de débogage de la carte mère.



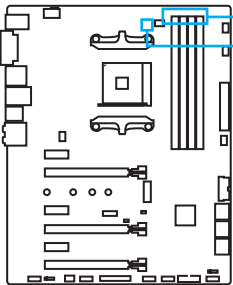
- CPU** - indique que le CPU n'est pas détecté ou que son initialisation a échoué.
- DRAM** - indique que la mémoire DRAM n'est pas détectée ou que son initialisation a échoué.
- VGA** - indique que le GPU n'est pas détecté ou que son initialisation a échoué.
- BOOT** - indique que le périphérique de démarrage n'est pas détecté ou que son initialisation a échoué.

## Indicateurs LED des barrettes DIMM

Ces LEDs indiquent que les barrettes de mémoire sont installées.

## Indicateur LED du GPU

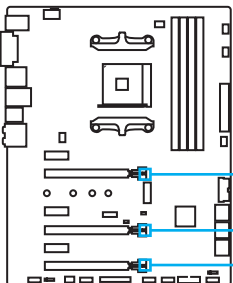
Cette LED indique que la puce graphique iGPU du CPU n'est pas détectée et qu'il faut installer une carte graphique.



- Indicateurs LED des barrettes DIMM
- Indicateur LED du GPU

## Indicateurs LED du slot PCIe x16

Ces LEDs indiquent l'état des slots PCIe x16.



- LED de PCI\_E2
- LED de PCI\_E4
- LED de PCI\_E6

Couleur de la LED	Etat du slot PCIe
Rouge	mode x16
Blanc	mode x8, x4, x1

# Configuration du BIOS

Les réglages par défaut fournissent une performance optimale pour la stabilité du système en conditions normales. Veuillez à **toujours garder les réglages par défaut** pour éviter d'endommager le système ou tout problème au démarrage, sauf si vous êtes familier avec le BIOS.



## Important

- *Le BIOS est constamment mis à jour afin d'offrir de meilleures performances système. Par conséquent, la description peut différer selon la version de BIOS utilisée et n'est donc donnée qu'à titre de référence. Vous pouvez aussi vous référer à l'onglet **Help (Aide)** pour obtenir la description des fonctions du BIOS.*
- *Les photos ne sont données qu'à titre de référence et peuvent varier selon le produit que vous achetez.*

## Entrer dans l'interface Setup du BIOS

Pendant le démarrage, lorsqu'apparaît le message **(Press DEL key to enter Setup Menu, F11 to enter Boot Menu)** sur l'écran, veuillez appuyer sur la touche **Suppr.**

### Touches de fonction

- F1:** Aide générale
- F2:** Ajouter ou supprimer un élément favori
- F3:** Entrer dans le menu Favoris
- F4:** Entrer dans le menu de réglages du processeur
- F5:** Entrer dans le menu Memory-Z
- F6:** Charger les réglages par défaut
- F7:** Alternner entre le mode avancé et le mode simplifié
- F8:** Charger le profil d'overclocking
- F9:** Sauvegarder le profil d'overclocking
- F10:** Sauvegarder les modifications et réglages\*
- F12:** Prendre une capture d'écran et la conserver dans le lecteur flash USB (au format FAT/ FAT32 uniquement).

\* Lorsque vous appuyez sur F10, une fenêtre de confirmation apparaît et fournit l'information de modification. Choisissez entre Oui et Non pour confirmer.

## Réinitialiser le BIOS

Il se peut que vous ayez besoin de récupérer les réglages BIOS par défaut pour résoudre des problèmes. Pour réinitialiser les réglages du BIOS, veuillez suivre l'une des méthodes suivantes :

- Allez dans le Setup du BIOS et appuyez sur **F6** pour charger les réglages par défaut.
- Court-circuitez le cavalier **Clear CMOS** sur la carte mère.

### **Important**

Assurez-vous que l'ordinateur est éteint avant d'effacer les données CMOS. Veuillez vous référer à la section cavalier **Clear CMOS** pour en savoir plus sur la réinitialisation du BIOS.

## Mettre le BIOS à jour

### Mettre le BIOS à jour avec M-FLASH

Avant la mise à jour :

Veuillez télécharger la dernière version de BIOS compatible à votre carte mère sur le site MSI. Ensuite, veuillez sauvegarder le nouveau BIOS sur le lecteur flash USB.

Mettre le BIOS à jour :

1. Appuyez sur la touche Suppr pour entrer dans l'interface Setup du BIOS pendant le processus de POST.
2. Connectez le lecteur Flash USB contenant le profil à l'ordinateur.
3. Choisissez l'onglet **M-FLASH** et cliquez sur **Yes (Oui)** pour redémarrer le système et entrer dans le mode Flash.
4. Choisissez un profil BIOS pour commencer la mise à jour du BIOS.
5. Une fois la mise à jour terminée, le système redémarrera automatiquement.

### Mettre le BIOS à jour avec Live Update 6

Avant la mise à jour :

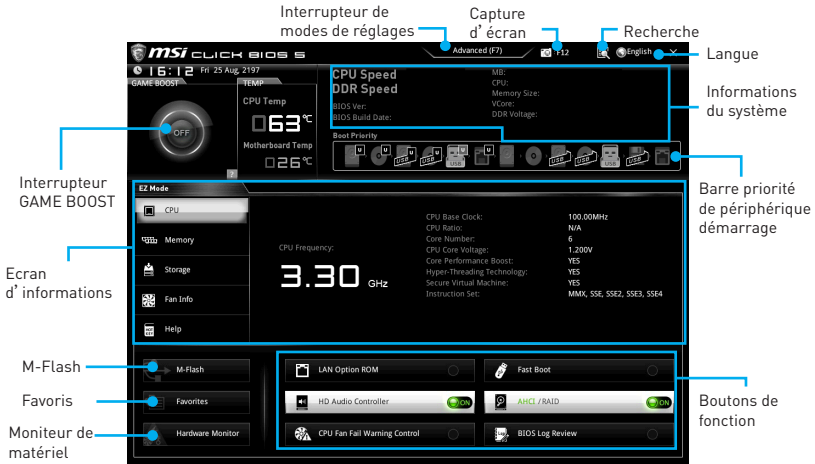
Assurez-vous que le lecteur LAN est bien installé et que l'ordinateur est correctement connecté à internet.

Mettre le BIOS à jour :

1. Installez et lancez MSI LIVE UPDATE 6.
2. Choisissez **BIOS Update (Mettre le BIOS à jour)**.
3. Cliquez sur le bouton **Scan**.
4. Cliquez sur l'icône **Download** pour télécharger et installer la dernière version du BIOS.
5. Cliquez sur **Next (Suivant)** et choisissez le mode **In Windows**. Ensuite, cliquez sur **Next (Suivant)** et **Start (Commencer)** pour lancer la mise à jour du BIOS.
6. Une fois la mise à jour terminée, le système redémarrera automatiquement.

## EZ Mode (mode simplifié)

Le mode EZ vous fournit les informations basiques du système et vous permet de configurer les réglages de base. Si vous souhaitez configurer les réglages du BIOS, veuillez utiliser le mode Advanced en appuyant sur le **switch Setup Mode (Interrupteur de modes de réglages)** ou la touche de fonction **F7**.



- **Interrupteur GAME BOOST** - appuyez sur le bouton **GAME BOOST** pour activer cette fonctionnalité.

### **Important**

Après l'activation de la fonction **GAME BOOST**, il est conseillé de ne faire aucune modification dans menu DC et de ne pas charger les réglages par défauts pour conserver des performances optimales et une bonne stabilité du système.

- **Interrupteur de modes de réglages** - appuyez sur ce menu ou la touche **F7** pour commuter entre le mode avancé et le mode simplifié.
- **Capture d'écran** - appuyez sur ce menu ou sur la touche **F12** pour prendre une capture d'écran et la conserver dans le lecteur flash USB (lecteur flash USB au format FAT ou FAT32 uniquement).
- **Recherche** - cliquez sur cet onglet ou sur les touches **Ctrl+F** pour faire apparaître la page de recherche. Cette page vous permet de faire des recherches en utilisant les noms des éléments du BIOS. Entrez le nom de l'élément et vous le trouverez ensuite dans la liste qui s'affichera alors. Déplacez la souris sur un espace vierge et faites un clic droit pour quitter la page de recherche.

### **Important**

Dans la page de recherche, seules les touches de fonction **F6**, **F10** et **F12** sont disponibles.

- **Langue** - vous permet de choisir la langue du BIOS.

- **Informations du système** - montre la vitesse et la tension du processeur et de la mémoire, la température du processeur et de la carte mère, le type de carte mère et de processeur, la capacité mémoire, la version du BIOS et la date d'installation.
- **Barre prioritaire de périphérique démarrage** - vous pouvez déplacer les icônes dédiés aux périphériques pour modifier la priorité au démarrage. Le sens de la priorité va de gauche à droite.
- **Écran d'informations** - cliquez sur les boutons **CPU (Processeur)**, **Memory (Mémoire)**, **Storage (Stockage)**, **Fan Info (Info ventilateurs)** et **Help (Aide)** à gauche de la fenêtre pour obtenir les informations respectives.
- **Boutons de fonction** - en cliquant sur leur bouton respectif, vous pourrez activer les fonctions **LAN Option ROM**, **HD audio controller**, **AHCI**, **RAID**, **CPU Fan Fail Warning Control** et **BIOS Log Review**.



### **Important**

- *Pendant la configuration de Windows, le pilote RAID peut être requis et vous pouvez le trouver dans le disque des pilotes MSI.*
- *Vous pouvez utiliser **MSI SMART TOOL** pour créer un support d'installation Windows® 7/ 10, qui comprendra le pilote RAID.*
- *Si vous avez réglé le SSD M.2 en RAID comme disque de démarrage du système et que vous avez supprimé la configuration RAID dans le BIOS UEFI, votre système ne démarrera pas.*
- **M-Flash** - cliquez sur ce bouton pour faire apparaître le menu **M-Flash** qui fournit la méthode de mise à jour BIOS à l'aide d'un disque flash USB.
- **Moniteur de matériel** - cliquez sur ce bouton pour faire apparaître le menu **Moniteur de matériel** qui vous permet de contrôler manuellement la vitesse des ventilateurs.
- **Favoris** - appuyez sur l'onglet **Favoris** ou appuyez sur la touche **F3** pour entrer dans le menu **Favoris**. Il vous permet de créer un menu BIOS personnalisé où vous pourrez sauvegarder et accéder à vos réglages favoris ou fréquemment utilisés.
  - **Default Homepage (page d'accueil par défaut)** - vous permet de choisir l'un des menus du BIOS (par exemple, Réglages, OC, etc.) comme page d'accueil.
  - **Favorite 1 ~ 5 (Favoris 1 ~ 5)** - vous permettent d'afficher les menus de réglages BIOS fréquemment utilisés ou les favoris sur une seule page.
  - **Ajouter les menus BIOS sur une seule page des favoris (Favoris 1~5)**
    1. Déplacez la souris sur un élément du BIOS, pas seulement dans le menu du BIOS mais également sur la page de recherche.
    2. Faites un clic droit ou appuyez sur la touche **F2**.
    3. Choisissez une page de favoris et cliquez sur **OK**.
  - **Supprimer un paramètre du BIOS de la page des favoris**
    1. Déplacez la souris sur un élément du BIOS sur la page des favoris (Favoris 1~5).
    2. Faites un clic droit ou appuyez sur la touche **F2**.
    3. Choisissez **Delete (Effacer)** et cliquez sur **OK**.

## Advanced Mode (mode avancé)

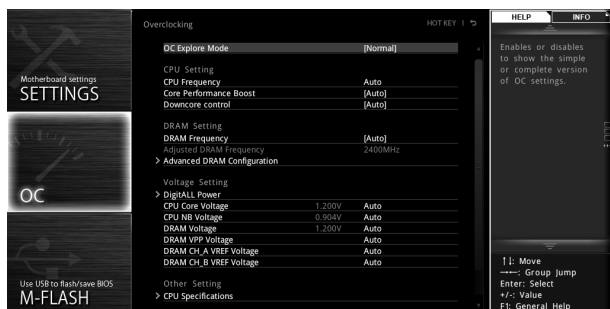
Appuyez sur le **Setup Mode switch (interrupteur de modes de réglages)** ou sur la touche de fonction **F7** pour commuter entre le mode simplifié et le mode avancé.



- **Interrupteur GAME BOOST/ Interrupteur de modes de réglages/ Capture d'écran/ Favoris/ Langue/ Information du système/ Barre priorité de périphérique démarrage** - veuillez vous référer à la partie EZ mode pour plus de précision.
- **Sélection du menu BIOS** - les options suivantes sont disponibles :
  - **SETTINGS (Réglages)** - permet de personnaliser les paramètres du chipset et du démarrage des périphériques.
  - **OC** - permet d'ajuster la fréquence et la tension. L'augmentation de la fréquence peut améliorer les performances.
  - **M-FLASH** - permet de mettre le BIOS à jour avec un lecteur flash USB.
  - **OC PROFILE** - permet de gérer les profils d'overclocking.
  - **HARDWARE MONITOR (Moniteur de matériel)** - permet de régler la vitesse des ventilateurs et de surveiller la tension du système.
  - **BOARD EXPLORER** - fournit des informations sur les périphériques installés sur la carte mère.
- **Ecran de menu** - affiche les menus de réglages BIOS et les informations à configurer.

## OC Menu (menu overclocking)

Ce menu est destiné aux utilisateurs avancés souhaitant overclocker leur carte mère.



### **Important**

- L'overclocking manuel du PC n'est recommandé que pour les utilisateurs avancés.
- L'overclocking n'est pas garanti et une mauvaise manipulation peut rendre nulle votre garantie et sévèrement endommager votre matériel.

#### ► **OC Explore Mode [Normal]**

Active ou désactive le mode Normal ou Expert des réglages OC.

[Normal] Fournit les réglages OC standards dans les réglages BIOS.

[Expert] Fournit les réglages OC avancés pour les utilisateurs avancés et à configurer dans les réglages BIOS.

Remarque : Nous utilisons le symbole \* pour indiquer les réglages OC du mode Expert.

#### ► **CPU Frequency [Auto]**

Définit la fréquence du processeur.

#### ► **Core Performance Boost [Auto]**

Active ou désactive la technologie Core Performance Boost (CPB). Ce menu est seulement disponible si le processeur installé supporte cette fonction.

#### ► **Downcore Control [Auto] (en option)**

Définir le nombre de cœurs du processeur à utiliser. Ce menu est seulement disponible si le processeur installé supporte cette fonction.

#### ► **DRAM Frequency [Auto]**

Définit la fréquence de la mémoire. Veuillez noter que les résultats de l'overclocking ne sont pas garantis.

#### ► **Adjusted DRAM Frequency**

Affiche la fréquence ajustée de la mémoire. Fonctionne en lecture seule.

### ► **Advanced DRAM Configuration**

Appuyez sur la touche **Entrée** pour entrer dans le sous-menu. L'utilisateur peut régler la synchronisation de mémoire de chaque barrette de mémoire. Le système peut être instable ou peut ne plus redémarrer après le changement de la synchronisation de la mémoire. Dans ce cas-là, veuillez effacer les données CMOS et remettre les réglages par défaut (référez-vous à la section cavalier/ bouton Clear CMOS (en option) pour effacer les données CMOS et entrez ensuite dans le BIOS pour charger les réglages par défaut).

### ► **DigitALL Power**

Appuyez sur la touche **Entrée** pour entrer dans le sous-menu. Gère l'alimentation numérique du contrôleur PWM du processeur.

#### ► **CPU Loadline Calibration Control [Auto]**

La tension du processeur diminue proportionnellement à la charge du processeur. Une valeur plus élevée peut entraîner une tension plus élevée et de bonnes performances d'overclocking mais augmentera la température du processeur et du module de régulation de tension (VRM). Mis en **Auto**, le BIOS configure ce réglage automatiquement.

#### ► **CPU NB Loadline Calibration Control [Auto]**

La tension du CPU-NB diminue proportionnellement à la charge du CPU-NB. Une valeur plus élevée peut entraîner une tension plus élevée et de bonnes performances d'overclocking mais augmentera la température. Mis en **Auto**, le BIOS configure ce réglage automatiquement.

#### ► **CPU Over Voltage Protection [Auto]**

Définit une limite de tension pour la protection contre la surtension du CPU. En **Auto**, le BIOS configure automatiquement ce réglage. Une tension plus élevée protège moins et peut endommager le système.

#### ► **CPU Under Voltage Protection [Auto]**

Définit une limite de tension pour la protection contre la sous-tension du CPU. En **Auto**, le BIOS configure automatiquement ce réglage. Une tension plus élevée protège moins et peut endommager le système.

#### ► **CPU Over Current Protection [Auto]**

Définit une limite actuelle pour la protection contre la surtension du CPU. En **Auto**, le BIOS configure automatiquement ce réglage.

[Auto] Le BIOS configure automatiquement ce réglage.

[Enhanced] Augmente la limite de consommation pour protéger contre la surcharge électrique.

#### ► **VR 12VIN OCP Expander [Auto]**

Étendre la limitation de VR Over Current Protection avec la tension d'entrée de 12V. La valeur d'extension plus haute signifie moins de protection. Par conséquent, veuillez ajuster le courant soigneusement en cas nécessaire, ou ceci endommagerait le CPU/ VR MOS. Mis en **Auto**, le BIOS configure ce réglage automatiquement.

### ► CPU Voltages control [Auto]

Permet de définir les tensions relatives au processeur. En mode **Auto**, le BIOS configure ces tensions automatiquement. Vous pouvez également les paramétrer manuellement.

### ► DRAM/PROM Voltages control [Auto]

Permet de définir les tensions relatives à la mémoire. En mode **Auto**, le BIOS configure ces tensions automatiquement. Vous pouvez également les paramétrer manuellement.

### ► CPU Memory Changed Detect [Enabled]\*

Active ou désactive les messages d'alerte système au démarrage suite au remplacement du processeur ou de la mémoire.

[Enabled] Le système montre un message d'alerte pendant le démarrage et vous devez charger les réglages par défaut pour les nouveaux périphériques.

[Disabled] Désactive cette fonction et garde les réglages BIOS actuels.

### ► CPU Specifications

Appuyez sur la touche **Entrée** pour accéder au sous-menu. Ce sous-menu affiche les caractéristiques du processeur installé. Vous pouvez également accéder à ce sous-menu à tout moment en appuyant sur la touche [F4]. Fonctionne uniquement en lecture seule.

#### ► CPU Technology Support

Appuyez sur la touche **Entrée** pour accéder au sous-menu. Ce sous-menu affiche les principales fonctions et technologies prises en charge par le processeur installé. Fonctionne uniquement en lecture seule.

### ► MEMORY-Z

Appuyez sur la touche **Entrée** pour accéder au sous-menu. Ce sous-menu affiche tous les réglages et timings de la mémoire installée. Vous pouvez également accéder à ce sous-menu à tout moment en appuyant sur la touche [F5].

#### ► DIMMx Memory SPD

Appuyez sur la touche **Entrée** pour accéder au sous-menu. Ce sous-menu affiche les caractéristiques de la mémoire installée. Fonctionne uniquement en lecture seule.

### ► CPU Features

Appuyez sur la touche **Entrée** pour accéder au sous-menu.

#### ► AMD Cool' n' Quiet [Enabled]

La technologie Cool' n' Quiet peut efficacement et dynamiquement réduire la vitesse et la consommation d'énergie du processeur.

#### ► SVM Mode [Disabled]

Active ou désactive le mode AMD SVM (Secure Virtual Machine).

#### ► Core C6 state [Enabled]

Active ou désactive la fonction C6 state.

# Informations sur les logiciels

Veillez vous référer au site [www.msi.com](http://www.msi.com) pour télécharger et mettre à jour les derniers utilitaires et pilotes.

## Installer Windows® 7 64-bit/ Windows® 10 64-bit

1. Allumez l'ordinateur.
2. Insérez le disque de Windows® 7/ 10 dans le lecteur optique.  
*Remarque : Du fait des limites du chipset pendant l'installation de Windows® 7, les lecteurs optiques USB et les clés USB ne seront pas supportés. Vous pouvez utiliser **MSI Smart Tool** pour installer Windows® 7.*
3. Appuyez sur le bouton **Restart** du boîtier de l'ordinateur.
4. Appuyez sur la touche **F11** pendant le POST (Power-On Self Test) du système pour entrer dans le menu Boot Menu.
5. Choisissez le lecteur optique du Boot Menu.
6. Appuyez sur n'importe quelle touche lorsqu'apparaît le message **(Press any key to boot from CD or DVD)**.
7. Suivez les instructions à l'écran pour installer Windows® 7/10.

## Installer les pilotes

1. Allumez l'ordinateur sous Windows® 7/ 10.
2. Insérez le disque MSI® Driver Disc dans le lecteur optique.
3. L'outil d'installation apparaît automatiquement. Il trouvera et listera tous les pilotes dont vous avez besoin.
4. Cliquez sur le bouton **Install**.
5. L'installation des pilotes commence. Une fois terminée, il vous sera demandé de redémarrer.
6. Cliquez sur le bouton **OK** pour terminer.
7. Redémarrez votre ordinateur.

## Installer les utilitaires

Avant d'installer les utilitaires, il faut compléter l'installation des pilotes.

1. Insérez le disque MSI® Driver Disc dans le lecteur optique.
2. L'outil d'installation apparaît automatiquement.
3. Cliquez sur l'onglet **Utilities**.
4. Choisissez les utilitaires que vous voulez installer.
5. Cliquez sur le bouton **Install**.
6. L'installation des utilitaires commence. Une fois terminée, il vous sera demandé de redémarrer.
7. Cliquez sur le bouton **OK** pour terminer.
8. Redémarrez votre ordinateur.

# Содержание

<b>Безопасное использование продукции.....</b>	<b>3</b>
<b>Технические характеристики .....</b>	<b>4</b>
<b>Задняя панель портов ввода/ вывода .....</b>	<b>9</b>
Таблица состояний индикатора порта LAN .....	9
Конфигурация портов Аудио.....	9
Менеджер Realtek HD Audio.....	10
<b>Компоненты материнской платы.....</b>	<b>12</b>
Процессорный сокет .....	13
Слоты DIMM .....	14
PCI_E1~6: Слоты расширения PCIe.....	15
M2_1: Разъем M.2 (Ключ M) .....	18
SATA1~6: Разъемы SATA 6 Гб/с .....	19
CPU_PWR1, ATX_PWR1: Разъемы питания .....	20
JUSB1~2: Разъемы USB 2.0.....	21
JUSB3~4: Разъемы USB 3.1 Gen1 .....	21
CPU_FAN1, PUMP_FAN1, SYS_FAN1~4: Разъемы вентиляторов.....	22
JAUD1: Разъем аудио передней панели.....	23
JCI1: Разъем датчика открытия корпуса .....	23
JFP1, JFP2: Разъемы передней панели .....	24
JTPM1: Разъем модуля TPM .....	24
JBAT1: Джампер очистки данных CMOS (Сброс BIOS) .....	25
JLPT1: Разъем последовательного порта.....	25
JCOM1: Разъем параллельного порта .....	26
JLED1: Разъем RGB LED.....	26
<b>Встроенные индикаторы.....</b>	<b>27</b>
Индикаторы отладки EZ.....	27
Индикаторы DIMM .....	27
Индикатор GPU .....	27
Индикаторы слота PCIe x16 .....	27
<b>Настройка BIOS .....</b>	<b>28</b>
Вход в настройки BIOS .....	28
Сброс BIOS .....	29
Обновление BIOS.....	29
Режим EZ .....	30
Режим разгона .....	32
Меню ОС .....	33

<b>Описание программного обеспечения .....</b>	<b>36</b>
Установка Windows® 7 64-бит/ Windows® 10 64-бит.....	36
Установка драйверов .....	36
Установка утилит .....	36

# Безопасное использование продукции

- Компоненты, входящие в комплект поставки могут быть повреждены статическим электричеством. Для успешной сборки компьютера, пожалуйста, следуйте указаниям ниже.
- Убедитесь, что все компоненты компьютера подключены должным образом. Ослабленные соединения компонентов могут привести как к сбоям в работе, так и полной неработоспособности компьютера.
- Чтобы избежать повреждений компонентов платы всегда держите ее за края.
- При сборке компьютера рекомендуется пользоваться электростатическим браслетом. В случае, если это невозможно, перед работой с платой снимите электростатический заряд со своего тела, прикоснувшись к металлическому предмету.
- В случае, если материнская плата не установлена в корпус, храните ее в антистатической упаковке или на антистатическом коврике.
- Перед включением компьютера убедитесь, что все винты крепления и другие металлические компоненты на материнской плате и внутри корпуса надежно зафиксированы.
- Не включайте компьютер, если сборка не завершена. Это может привести к повреждению компонентов, а также травмированию пользователя.
- Если вам нужна помощь на любом этапе сборки компьютера, пожалуйста, обратитесь к сертифицированному компьютерному специалисту.
- Всегда выключайте питание и отсоединяйте шнур питания от электрической розетки перед установкой или удалением любого компонента компьютера.
- Сохраните это руководство для справки.
- Не допускайте воздействия на материнскую плату высокой влажности.
- Перед тем как подключить блок питания компьютера к электрической розетке убедитесь, что напряжение электросети соответствует напряжению, указанному на блоке питания.
- Располагайте шнур питания так, чтобы на него не могли наступить люди. Не ставьте на шнур питания никаких предметов.
- Необходимо учитывать все предостережения и предупреждения, указанные на материнской плате.
- При возникновении любой из перечисленных ниже ситуаций обратитесь в сервисный центр для проверки материнской платы:
  - Попадание жидкости внутрь компьютера.
  - Материнская плата подверглась воздействию влаги.
  - Материнская плата не работает должным образом или невозможно наладить ее работу в соответствии с руководством пользователя.
  - Материнская плата получила повреждения при падении.
  - Материнская плата имеет явные признаки повреждения.
- Не храните материнскую плату в местах с температурой выше 60 °C (140 °F), так как это может привести к ее повреждению.

# Технические характеристики

Процессор	Поддержка процессоров AMD® RYZEN серии и процессоров A-серии 7-ого поколения/ Athlon™ для сокета AM4
Чипсет	AMD® X370
Память	<ul style="list-style-type: none"><li>• 4x слота памяти DDR4 с поддержкой до 64ГБ<ul style="list-style-type: none"><li>▪ Поддержка DDR4 1866/ 2133/ 2400/ 2667(OC)/ 2933(OC)/ 3200(OC)+ МГц *</li></ul></li><li>• Двухканальная архитектура памяти</li><li>• Поддержка памяти non-ECC UDIMM</li><li>• Поддержка памяти ECC UDIMM (в режиме non-ECC)</li></ul> <p>* Процессоры A-серии 7-ого поколения/ Athlon™ максимально поддерживают 2400 МГц. Пожалуйста, обратитесь <a href="http://www.msi.com">www.msi.com</a> для получения дополнительной информации о совместимых памяти.</p>
Слоты расширения	<ul style="list-style-type: none"><li>• 2x слота PCIe 3.0 x16 (PCI_E2, PCI_E4)<ul style="list-style-type: none"><li>▪ Процессоры RYZEN серии поддерживают режим x16/x0, x8/x8</li><li>▪ Процессоры A-серии 7-ого поколения/ Athlon™ поддерживают режим x8/x0</li></ul></li><li>• 1x слот PCIe 2.0 x16 (PCI_E6, поддержка режима x4)*</li><li>• 3x слота PCIe 2.0 x1</li></ul> <p>* Слот PCI_E6 будет работать как PCIe 2.0 x1 при установке устройства в любом слоте PCIe x1.</p>
Встроенная графика	<ul style="list-style-type: none"><li>• 1x порт DVI-D, с поддержкой максимального разрешения 1920x1200@60Гц, 1600x1200@60Гц*</li><li>• 1x порт HDMI™ 1.4, с поддержкой максимального разрешения 2560x1600@60Гц*</li></ul> <p>* Поддерживается только при использовании процессоров A-серии 7-ого поколения/ Athlon™</p>
Поддержка Multi-GPU	<ul style="list-style-type: none"><li>• Процессоры RYZEN серии<ul style="list-style-type: none"><li>▪ Поддержка технологии 2-Way NVIDIA® SLI™</li><li>▪ Поддержка технологии 3-Way AMD® CrossFire™</li></ul></li><li>• Процессоры A-серии 7-ого поколения/ Athlon™<ul style="list-style-type: none"><li>▪ Поддержка технологии 2-Way AMD® CrossFire™</li></ul></li></ul>

Продолжение на следующей странице

Продолжение с предыдущей страницы

<p>Подключение накопителей</p>	<p>Чипсет AMD® X370</p> <ul style="list-style-type: none"> <li>• 6x портов SATA 6 Гб/с</li> <li>• 1x разъем M.2 (Ключ M)             <ul style="list-style-type: none"> <li>▪ Поддержка PCIe 3.0 x4 (процессоры RYZEN серии) или PCIe 3.0 x2 (процессоры A-серии 7-ого поколения/ Athlon™) и накопителей SATA 6 Гб/с 2242/ 2260 /2280/ 22110</li> </ul> </li> <li>• Поддержка RAID 0, RAID 1 и RAID 10</li> </ul>
<p>USB</p>	<ul style="list-style-type: none"> <li>• Контроллер ASMedia® ASM2142             <ul style="list-style-type: none"> <li>▪ 1x порт USB 3.1 Gen2 (SuperSpeed USB 10Gbps) Type-C на задней панели</li> <li>▪ 1x порт USB 3.1 Gen2 (SuperSpeed USB 10Gbps) Type-A на задней панели</li> </ul> </li> <li>• Контроллер AMD® X370             <ul style="list-style-type: none"> <li>▪ 4x порта USB 3.1 Gen1 (SuperSpeed USB) доступны через внутренние разъемы USB</li> <li>▪ 6x портов USB 2.0 (High-speed USB) (2 порта Type-A на задней панели, 4 порта доступны через внутренние разъемы USB)</li> </ul> </li> <li>• Процессоры AMD®             <ul style="list-style-type: none"> <li>▪ 4x порта USB 3.1 Gen1 (SuperSpeed USB) Type-A на задней панели</li> </ul> </li> </ul>
<p>Аудио</p>	<ul style="list-style-type: none"> <li>• Realtek® ALC892 Codec</li> <li>• 7.1-канальный High Definition Audio</li> </ul>
<p>LAN</p>	<ul style="list-style-type: none"> <li>• 1x Гигабитный сетевой контроллер Realtek® 8111H</li> </ul>
<p>Разъемы задней панели</p>	<ul style="list-style-type: none"> <li>• 1x комбинированный порт PS/2 клавиатуры/ мыши</li> <li>• 2x порта USB 2.0 Type-A</li> <li>• 1x порт DVI-D</li> <li>• 1x порт HDMI™ 1.4</li> <li>• 1x порт LAN (RJ45)</li> <li>• 4x порта USB 3.1 Gen1 Type-A</li> <li>• 1x порт USB 3.1 Gen2 Type-A</li> <li>• 1x порт USB 3.1 Gen2 Type-C</li> <li>• 6x аудиоразъемов</li> </ul>

Продолжение на следующей странице

Продолжение с предыдущей страницы

Разъемы на плате	<ul style="list-style-type: none"><li>• 1x 24-контактный разъем питания ATX</li><li>• 1x 8-контактный разъем питания ATX 12B</li><li>• 6x разъемов SATA 6 Гб/с</li><li>• 2x разъема USB 2.0 (Поддержка 4-х дополнительных портов USB 2.0)</li><li>• 2x разъема USB 3.1 Gen1 (Поддержка 4-х дополнительных портов 4 USB 3.1 Gen1)</li><li>• 1x 4-контактный разъем вентилятора процессора</li><li>• 1x 4-контактный разъем вентилятора PUMP (Поддержка до 2A)</li><li>• 4x 4-контактных разъема вентилятора системы</li><li>• 1x разъем RGB LED</li><li>• 1x разъем модуля TPM</li><li>• 1x разъем последовательного порта</li><li>• 1x разъем параллельного порта</li><li>• 1x аудиоразъем передней панели</li><li>• 2x разъема системной панели</li><li>• 1x разъем датчика открытия корпуса</li><li>• 1x джампер очистки данных CMOS</li></ul>
Контроллер ввода-вывода	NUVOTON NCT6795D
Аппаратный мониторинг	<ul style="list-style-type: none"><li>• Определение температуры процессора/системы</li><li>• Определение скорости вентиляторов процессора/системы</li><li>• Управление скоростью вентиляторов процессора/системы</li></ul>
Форм-фактор	<ul style="list-style-type: none"><li>• ATX Форм-фактор</li><li>• 12 x 9.6 дюйма (30.4 x 24.3 см)</li></ul>
Параметры BIOS	<ul style="list-style-type: none"><li>• 1x 128 Мб флэш</li><li>• UEFI AMI BIOS</li><li>• ACPI 5.0, PnP 1.0a, SM BIOS 2.8</li><li>• Мультиязычный интерфейс</li></ul>

Продолжение на следующей странице

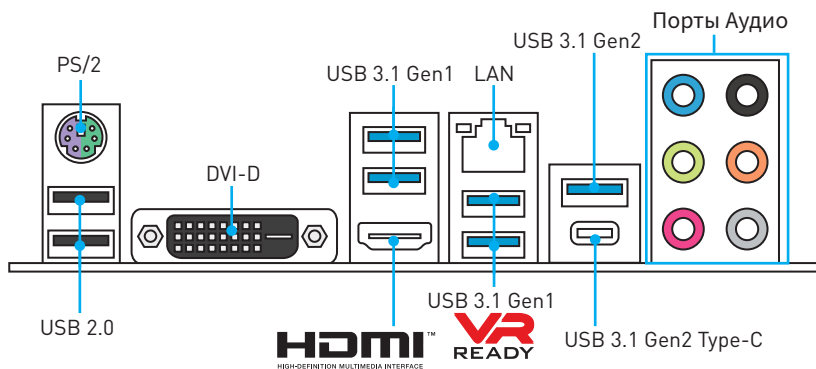
Продолжение с предыдущей страницы

Программное обеспечение	<ul style="list-style-type: none"><li>• Драйверы</li><li>• COMMAND CENTER</li><li>• LIVE UPDATE 6</li><li>• SUPER CHARGER</li><li>• GAMING APP</li><li>• RAMDISK</li><li>• X-BOOST</li><li>• MSI SMART TOOL</li><li>• GAMING LAN MANAGER</li><li>• Nahimic 2</li><li>• Norton™ Internet Security Solution</li><li>• Google Chrome™, Google Toolbar, Google Drive</li><li>• SteelSeries Engine 3</li><li>• CPU-Z MSI GAMING</li><li>• DRAGON EYE</li></ul>
-------------------------	---

Продолжение на следующей странице

Эксклюзивные функции	<ul style="list-style-type: none"><li>• VR Boost</li><li>• Audio Boost</li><li>• Nahimic 2</li><li>• GAMING LAN с Gaming LAN Manager</li><li>• Turbo M.2</li><li>• Pump Fan</li><li>• Интеллектуальное управление скоростью вращения вентиляторов</li><li>• Gaming DNA с индикатором на нижней части</li><li>• Mystic light SYNC</li><li>• Индикатор отладки EZ</li><li>• PCI-E Steel Armor с гидрографикой</li><li>• M.2 Steel Armor</li><li>• Позолоченные контакты портов USB type A+C</li><li>• Multi GPU – SLI Technology</li><li>• Multi GPU – CrossFire Technology</li><li>• DDR4 Boost</li><li>• GAME Boost</li><li>• Lightning USB</li><li>• Military Class 4</li><li>• 7000+ Quality Test</li><li>• GAMING HOTKEY</li><li>• GAMING MOUSE Control</li><li>• Click BIOS 5</li><li>• AMD FreeSync™ Ready</li><li>• AMD OverDrive™ Ready</li><li>• GAMING Certified</li><li>• SteelSeries Certified</li><li>• WTFast GPN*<ul style="list-style-type: none"><li>▪ Премиум лицензия на 2 мес</li><li>▪ Мультисерверная оптимизация сети</li><li>▪ Улучшение стабильности сетевого соединения</li></ul></li></ul> <p>* Данное предложение годно только в течение ограниченного периода, для получения дополнительной информации, посетите <a href="http://www.msi.com">www.msi.com</a></p>
----------------------	---

# Задняя панель портов ввода/ вывода



## Таблица состояний индикатора порта LAN

Подключение/ Работа индикатора		Скорость передачи данных								
Состояние	Описание									
Выкл.	Не подключен	<table border="1"> <thead> <tr> <th>Состояние</th> <th>Описание</th> </tr> </thead> <tbody> <tr> <td>Выкл.</td> <td>10 Мбит/с подключение</td> </tr> <tr> <td>Зеленый</td> <td>100 Мбит/с подключение</td> </tr> <tr> <td>Оранжевый</td> <td>1 Гбит/с подключение</td> </tr> </tbody> </table>	Состояние	Описание	Выкл.	10 Мбит/с подключение	Зеленый	100 Мбит/с подключение	Оранжевый	1 Гбит/с подключение
Состояние	Описание									
Выкл.	10 Мбит/с подключение									
Зеленый	100 Мбит/с подключение									
Оранжевый	1 Гбит/с подключение									
Желтый	Подключен									
Мигает	Передача данных									

## Конфигурация портов Аудио

Порты Аудио	Канал			
	2	4	6	8
Линейный вход				
Линейный выход/ Выход фронтальных колонок	●	●	●	●
Микрофонный вход				
Тыловые колонки		●	●	●
Выход центральной колонки/ сабвуфера			●	●
Выход боковых колонок				●

(●: подключен, Пусто: не подключен)

## Менеджер Realtek HD Audio

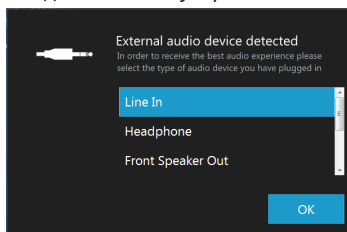
После установки драйвера **Realtek HD Audio**, в системном трее появится значок **Realtek HD Audio Manager**. Дважды щелкните по значку для запуска приложения.



- **Выбор устройства** - позволяет выбрать источник аудио выхода и изменить соответствующие параметры. Отмеченное устройство будет использоваться по умолчанию.
- **Дополнительные эффекты** - это список опций по настройке звуковых эффектов для входного и выходного сигнала аудио устройства.
- **Мастер-громкость** - регулирует громкость или баланс правой и левой колонок, подключенных к передней или задней панели.
- **Профили** - позволяют переключаться между различными профилями.
- **Расширенные настройки** - обеспечивают работу с двумя независимыми потоками аудио.
- **Состояние разъемов** - отображает все устройства воспроизведения и записи, подключенные к компьютеру.
- **Настройки подключений** - настраивают параметры подключения.

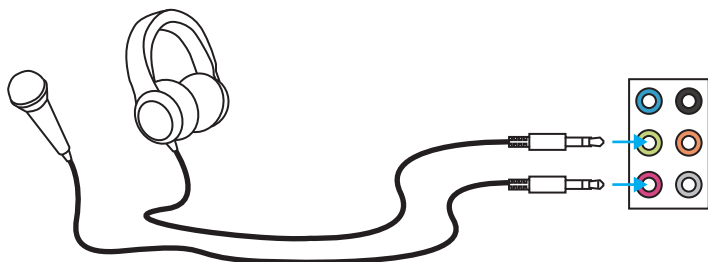
## Автоматическое всплывающее диалоговое окно

При подключении устройства к разъему аудио появится диалоговое окно с просьбой подтвердить подключенное устройство.

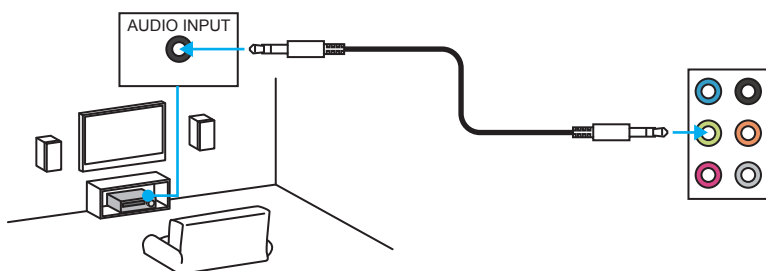


Каждый разъем соответствует его настройкам по умолчанию, как показано на следующей странице.

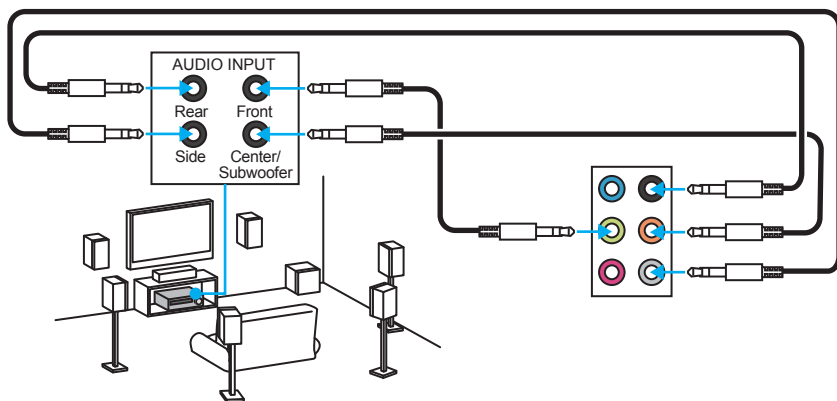
## Подключение наушников и микрофона



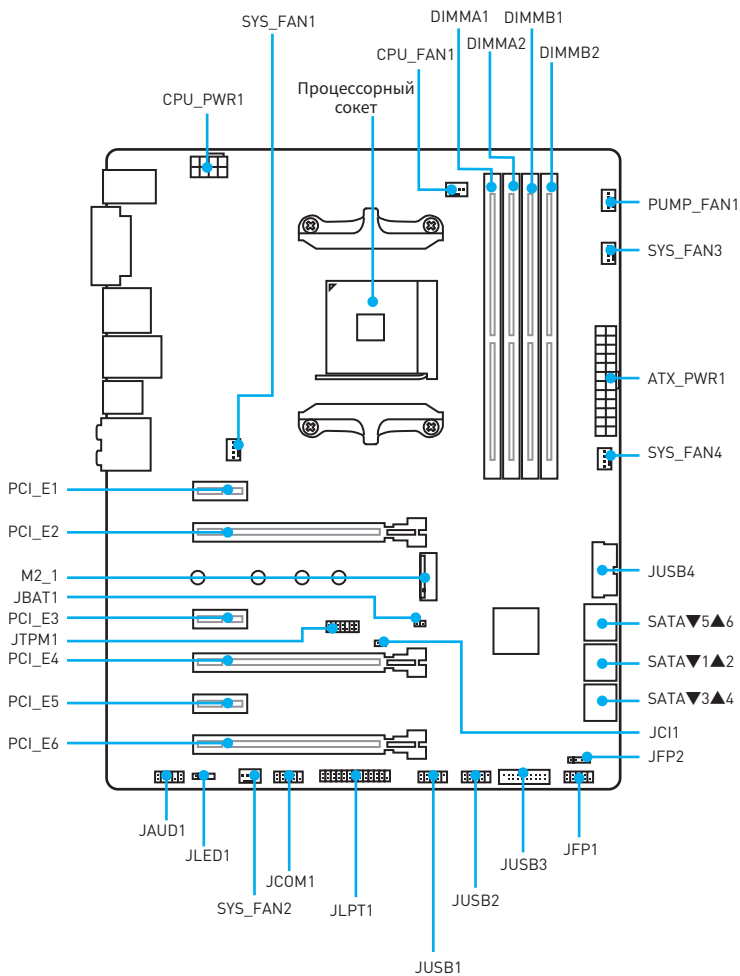
## Подключение внешнего стерео усилителя (колонок)



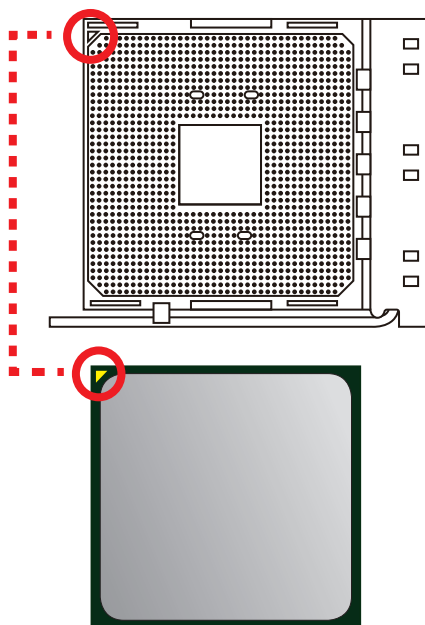
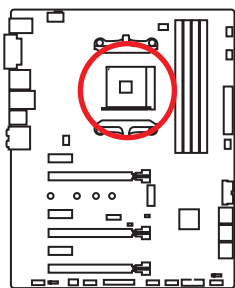
## Подключение звуковой системы 7.1



# Компоненты материнской платы



## Процессорный socket



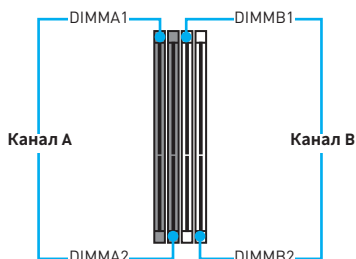
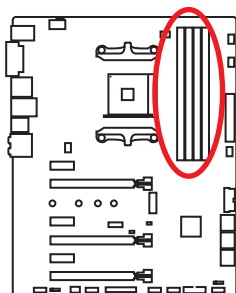
### Процессор AM4

На поверхности процессора AM4 имеется золотой треугольник для правильной установки процессора относительно процессорного сокета материнской платы. Золотой треугольник указывает на контакт 1.

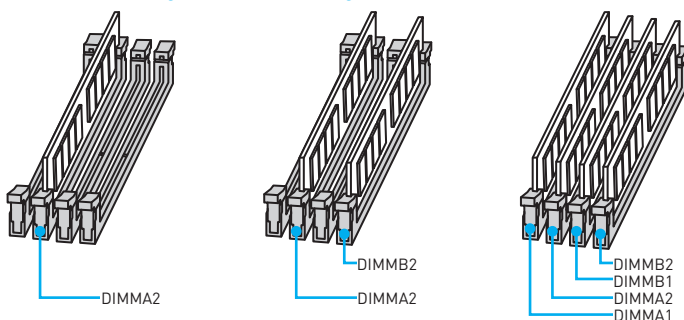
#### **Внимание!**

- Из-за особенностей архитектуры процессоров AM4, замена процессора может привести к сбросу настроек BIOS до значений по умолчанию.
- Перед установкой или заменой процессора, необходимо отключить кабель питания.
- При установке процессора обязательно установите процессорный кулер. Кулер, представляющий собой систему охлаждения процессора, предотвращает перегрев и обеспечивает стабильную работу системы.
- Перед включением системы проверьте герметичность соединения между процессором и радиатором.
- Перегрев может привести к серьезному повреждению процессора и материнской платы. Всегда проверяйте работоспособность вентилятора для защиты процессора от перегрева. При установке кулера нанесите ровный слой термопасты (или термопенту) на крышку установленного процессора для улучшения теплопередачи.
- Если вы приобрели отдельно процессор и процессорный кулер, подробное описание установки см. в документации в данному кулеру.
- Данная системная плата разработана с учетом возможности ее «разгона». Перед выполнением разгона системы убедитесь в том, что все компоненты системы смогут его выдержать. Производитель не рекомендует использовать параметры, выходящие за пределы технических характеристик устройств. Гарантия MSI® не распространяется на повреждения и другие возможные последствия ненадлежащей эксплуатации оборудования.

## Слоты DIMM



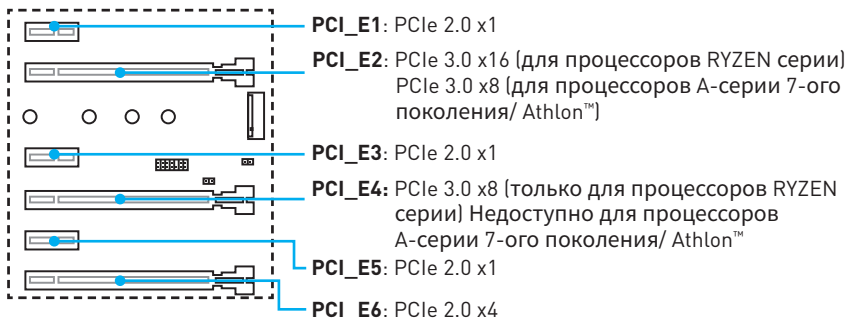
## Рекомендации по установке модулей памяти



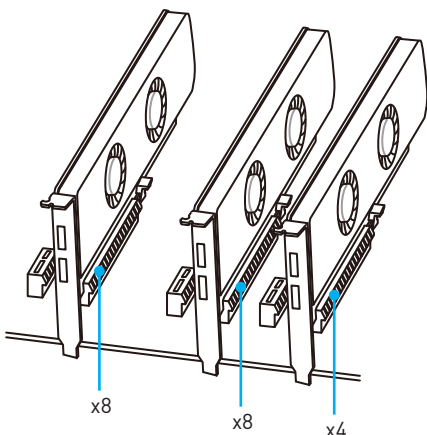
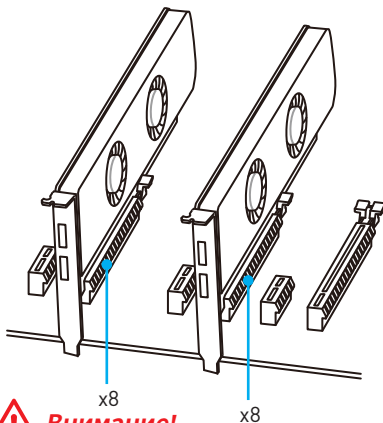
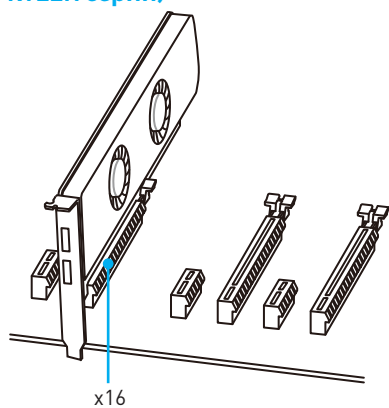
### **Внимание!**

- Всегда устанавливайте модуль памяти сначала в слот **DIMMA2**.
- В связи со спецификой использования ресурсов чипсета, доступный объем памяти будет немного меньше, чем фактически установленный.
- На основе характеристик процессора, рекомендуется устанавливать напряжение на памяти DIMM менее 1.35 В. Это позволит защитить процессор.
- Некоторые модули памяти при разгоне могут работать на частотах ниже заявленной производителем, поскольку выставляемая для памяти частота зависит от информации, записанной в SPD (Serial Presence Detect). Зайдите в BIOS и выберите опцию **DRAM Frequency!**, чтобы установить заявленную или более высокую частоту.
- При установке памяти во все слоты, а также при ее разгоне, рекомендуется использовать более эффективную систему охлаждения памяти.
- Совместимость и стабильность работы установленного модуля памяти при разгоне зависит от установленного процессора и других устройств.
- Из-за ограничений процессора AM4/контроллера памяти, модули памяти могут работать на частотах ниже заявленной производителем в состоянии по умолчанию. Дополнительную информацию о совместимых модулях памяти можно найти на веб-сайте [www.msi.com](http://www.msi.com).

## PCI\_E1~6: Слоты расширения PCIe



### Рекомендации по установке нескольких видеокарт (процессоры RYZEN серии)



### ⚠ Внимание!

- При установке массивной видеокарты, необходимо использовать такой инструмент, как **MSI Gaming Series Graphics Card Bolster** для поддержки веса графической карты и во избежание деформации слота.
- Для установки одной карты расширения PCIe x16 с оптимальной производительностью рекомендуется использовать слот **PCI\_E2**.
- Перед установкой или извлечением плат расширения убедитесь, что кабель питания отключен от электрической сети. Прочтите документацию на карту расширения и выполните необходимые дополнительные аппаратные или программные изменения для данной карты.

## Таблица пропускной способности PCIe

### Для процессоров RYZEN серии

Слот	Одна карта расширения		2-Way		3-Way
PCI_E1	—	Gen 2.0 x 1	—	Gen 2.0 x 1	—
PCI_E2	Gen 3.0 x 16*	Gen 3.0 x 16*	Gen 3.0 x 8*	Gen 3.0 x 8*	Gen 3.0 x 8*
PCI_E3	—	Gen 2.0 x 1	—	Gen 2.0 x 1	—
PCI_E4	—	—	Gen 3.0 x 8*	Gen 3.0 x 8*	Gen 3.0 x 8*
PCI_E5	—	Gen 2.0 x 1	—	Gen 2.0 x 1	—
PCI_E6	Gen 2.0 x 4	Gen 2.0 x 1	Gen 2.0 x 4	Gen 2.0 x 1	Gen 2.0 x 4*
M2_1	Gen 3.0 x 4	Gen 3.0 x 4	Gen 3.0 x 4	Gen 3.0 x 4	Gen 3.0 x 4

(—: пусто, \*: видеокарта)

### Для процессоров А-серии 7-ого поколения/ Athlon™

Слот	Одна карта расширения		2-Way
PCI_E1	—	Gen 2.0 x 1	—
PCI_E2	Gen 3.0 x 8*	Gen 3.0 x 8*	Gen 3.0 x 8*
PCI_E3	—	Gen 2.0 x 1	—
PCI_E4	—	—	—
PCI_E5	—	Gen 2.0 x 1	—
PCI_E6	Gen 2.0 x 4	Gen 2.0 x 1	Gen 2.0 x 4*
M2_1	Gen 3.0 x 2	Gen 3.0 x 2	Gen 3.0 x 2

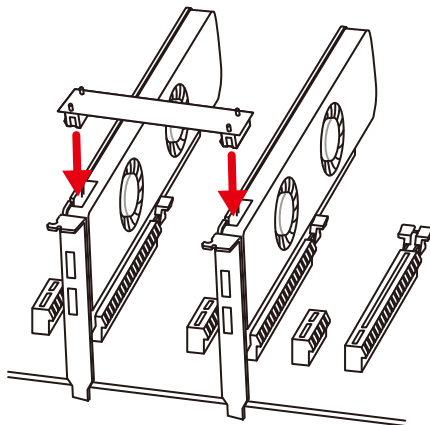
(—: пусто, \*: видеокарта)

## Установка видеокарт в режиме SLI

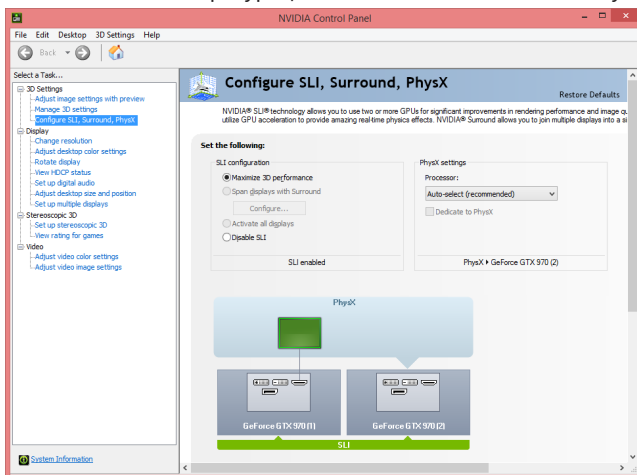
Для выполнения рекомендаций по питанию видеокарт в SLI конфигурациях, пожалуйста, обратитесь к руководству пользователя вашей видеокарты, чтобы убедиться, что она соответствует всем требованиям системы.

Для установки видеокарт в SLI:

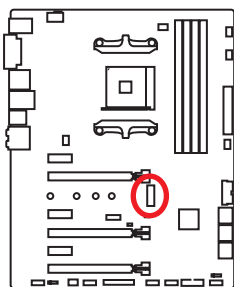
1. Выключите компьютер и отсоедините шнур питания. Установите две видеокарты в слот **PCI\_E2** и **PCI\_E4**.
2. Соедините видеокарты разъемом **SLI Bridge**.



3. Подключите все разъемы питания PCIe видеокарт.
4. Подключите кабель питания, включите компьютер, установите драйверы и программное обеспечение из комплекта поставки видеокарты.
5. Щелкните правой кнопкой мыши на Рабочем столе Windows и выберите **NVIDIA Control Panel** из раскрывшегося меню. Нажмите на **Configure SLI, Surround, PhysX** в левой панели задач и выберите **Maximize 3D performance** в меню конфигурации SLI, а затем нажмите кнопку **Apply**.



## M2\_1: Разъем M.2 (Ключ M)



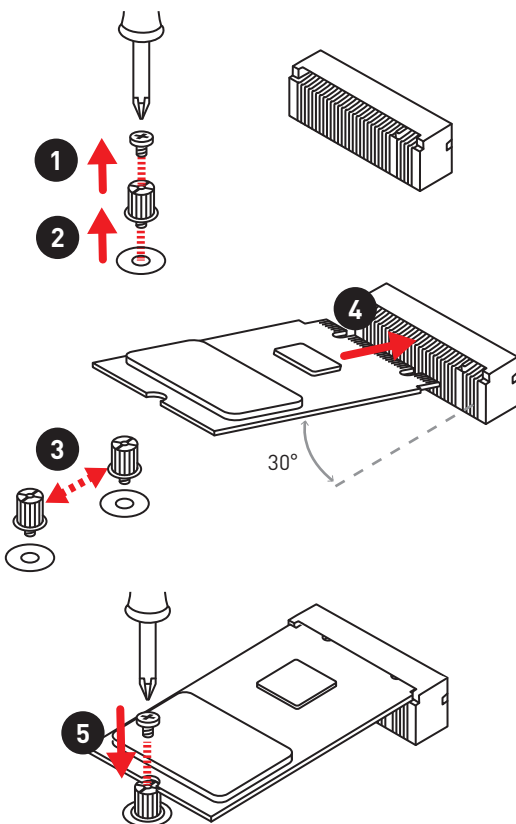
### Видео Инструкция

Смотрите видео, чтобы узнать как установить M.2 Shield.

[https://youtu.be/b-N28ajX\\_C4](https://youtu.be/b-N28ajX_C4)

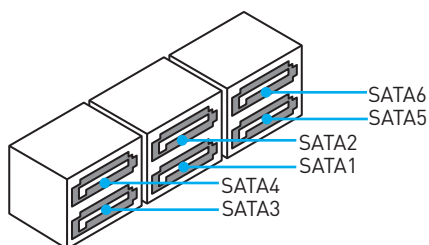
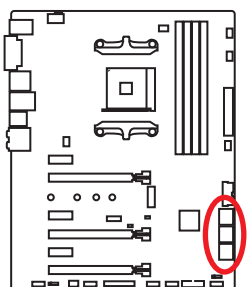
## Установка модуля M.2

1. Выкрутите винт из стойки.
2. Выкрутите стойку.
3. Закрутите стойку в отверстие, на расстоянии, соответствующем длине вашего модуля M.2.
4. Вставьте модуль M.2 в разъем M.2 под углом 30 градусов.
5. Совместите винт с выемкой на задней кромке модуля M.2 и закрутите его в стойку.



## SATA1~6: Разъемы SATA 6 Гб/с

Эти разъемы представляют собой интерфейсные порты SATA 6 Гб/с. К каждому порту можно подключить одно устройство SATA.

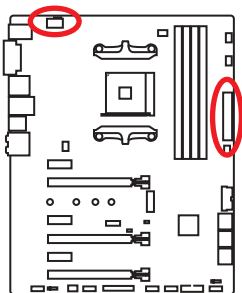


### **Внимание!**

- Избегайте перегибов кабеля SATA под прямым углом. В противном случае, возможна потеря данных при передаче.
- Кабели SATA оснащены одинаковыми коннекторами с обеих сторон. Однако, для экономии занимаемого пространства к материнской плате рекомендуется подключать плоский разъем.

## CPU\_PWR1, ATX\_PWR1: Разъемы питания

Данные разъемы предназначены для подключения блока питания ATX.



1	Ground	5	+12V
2	Ground	6	+12V
3	Ground	7	+12V
4	Ground	8	+12V

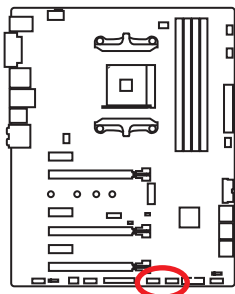
1	+3.3V	13	+3.3V
2	+3.3V	14	-12V
3	Ground	15	Ground
4	+5V	16	PS-ON#
5	Ground	17	Ground
6	+5V	18	Ground
7	Ground	19	Ground
8	PWR OK	20	Res
9	5VSB	21	+5V
10	+12V	22	+5V
11	+12V	23	+5V
12	+3.3V	24	Ground

### **Внимание!**

Для обеспечения стабильной работы системной платы проверьте надежность подключения всех кабелей питания к блоку питания ATX.

## JUSB1~2: Разъемы USB 2.0

Данные разъемы предназначены для подключения портов USB 2.0 на передней панели.



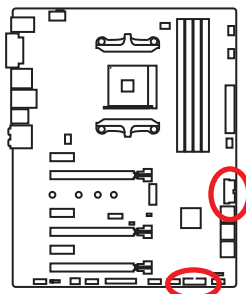
1	VCC	2	VCC
3	USB0-	4	USB1-
5	USB0+	6	USB1+
7	Ground	8	Ground
9	No Pin	10	NC

### **Внимание!**

- Помните, что во избежание повреждений, необходимо правильно подключать контакты VCC и земли.
- Для того, чтобы зарядить ваш iPad, iPhone и iPod через порты USB, пожалуйста, установите утилиту MSI® SUPER CHARGER.

## JUSB3~4: Разъемы USB 3.1 Gen1

Данные разъемы предназначены для подключения портов USB 3.1 Gen1 на передней панели.



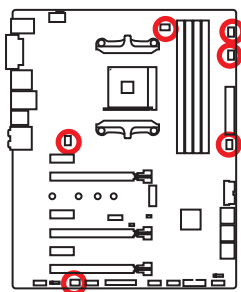
1	Power	11	USB2.0+
2	USB3_RX_DN	12	USB2.0-
3	USB3_RX_DP	13	Ground
4	Ground	14	USB3_TX_C_DP
5	USB3_TX_C_DN	15	USB3_TX_C_DN
6	USB3_TX_C_DP	16	Ground
7	Ground	17	USB3_RX_DP
8	USB2.0-	18	USB3_RX_DN
9	USB2.0+	19	Power
10	NC	20	No Pin

### **Внимание!**

Помните, что во избежание повреждений, необходимо правильно подключать контакты питания и земли.

## CPU\_FAN1, PUMP\_FAN1, SYS\_FAN1~4: Разъемы вентиляторов

Разъемы вентиляторов можно разделить на два типа: с PWM (PulseWidth Modulation) управлением и управлением постоянным током. Разъемы вентиляторов с PWM управлением имеют контакт с постоянным напряжением 12В, а также контакт с сигналом управления скоростью вращения. Управление скоростью вращения вентиляторов с управлением постоянным током, осуществляется через соответствующие разъемы путем изменения величины напряжения. Поэтому, при подключении 3-х контактного (Non-PWM) вентилятора к разьему для вентилятора PWM, скорость вентилятора всегда будет максимальной. Работа такого вентилятора может оказаться достаточно шумной. Для настройки режима работы вентилятора вручную (PWM или DC), следуйте указаниям ниже.



### Разъем вентилятора с PWM управлением по умолчанию



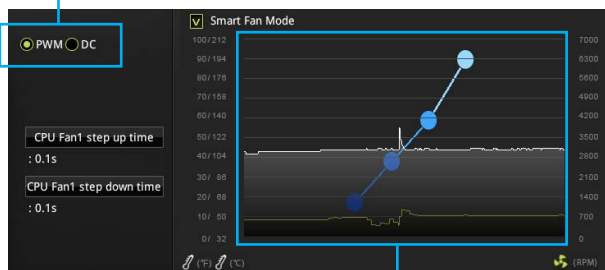
### Разъем вентилятора с управлением постоянным током по умолчанию



## Переключение режимов работы и скорости вращения вентилятора

В меню BIOS > **HARDWARE MONITOR** вы можете выбрать режим работы вентилятора: PWM или DC и настроить его скорость вращения.

Выберите режим **PWM** или **DC**



Вы можете регулировать скорость вращения вентилятора в зависимости от температуры процессора путем изменения положения градиентных точек.



**Внимание!** Убедитесь, что вентиляторы работают правильно после выбора режима PWM/ DC.

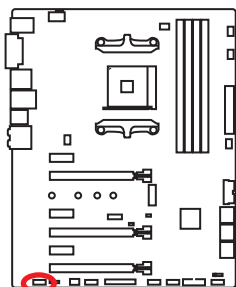
## Назначение контактов разъема для подключения вентилятора

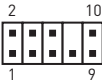
Назначение контактов разъема для режима PWM			
1	Ground	2	+12V
3	Sense	4	Speed Control Signal

Назначение контактов разъема для режима DC			
1	Ground	2	Voltage Control
3	Sense	4	NC

## JAUD1: Разъем аудио передней панели

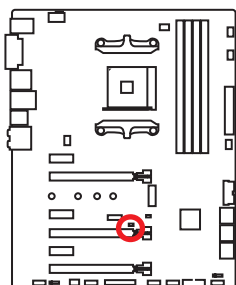
Данный разъем предназначен для подключения аудиоразъемов передней панели.



			
1	MIC L	2	Ground
3	MIC R	4	NC
5	Head Phone R	6	MIC Detection
7	SENSE_SEND	8	No Pin
9	Head Phone L	10	Head Phone Detection

## JC11: Разъем датчика открытия корпуса

К этому разъему подключается кабель от датчика открытия корпуса.



Нормально  
(По умолчанию)



Разрешить запись  
по событию  
открытия корпуса

### Использование датчика открытия корпуса

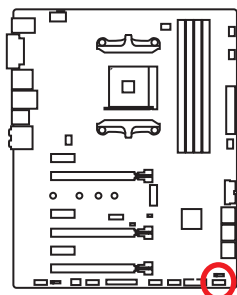
1. Подключите датчик открытия корпуса к разъему **JC11**.
2. Закройте крышку корпуса.
3. Войдите в **BIOS > Settings > Security > Chassis Intrusion Configuration**.
4. Установите **Chassis Intrusion** в **Enabled**.
5. Нажмите клавишу **F10**, чтобы сохранить настройки и выйти, а затем нажмите клавишу **Enter**, чтобы выбрать **Yes**.
6. При открытии корпуса на экране будет появляться предупреждающее сообщение каждый раз при включении компьютера.

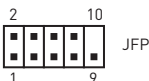
### Сброс сообщения об открытии корпуса


1. Войдите в **BIOS > Settings > Security > Chassis Intrusion Configuration**.
2. Выберите **Chassis Intrusion, Reset**.
3. Нажмите клавишу **F10**, чтобы сохранить настройки и выйти, а затем нажмите клавишу **Enter**, чтобы выбрать **Yes**.

## JFP1, JFP2: Разъемы передней панели

Эти разъемы служат для подключения кнопок и светодиодных индикаторов, расположенных на передней панели.

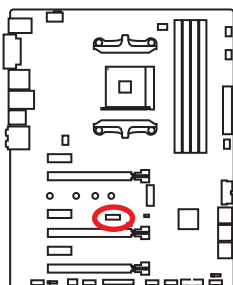


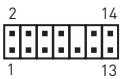
			
1	HDD LED +	2	Power LED +
3	HDD LED -	4	Power LED -
5	Reset Switch	6	Power Switch
7	Reset Switch	8	Power Switch
9	Reserved	10	No Pin

			
1	Speaker -	2	Buzzer +
3	Buzzer -	4	Speaker +

## JTPM1: Разъем модуля TPM

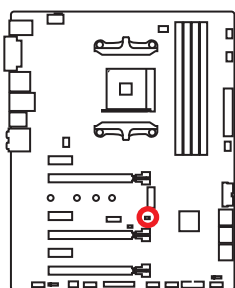
Данный разъем используется для подключения модуля TPM (Trusted Platform Module). Дополнительные сведения см. в описании модуля TPM.



			
1	LPC Clock	2	3V Standby power
3	LPC Reset	4	3.3V Power
5	LPC address & data pin0	6	Serial IRQ
7	LPC address & data pin1	8	5V Power
9	LPC address & data pin2	10	No Pin
11	LPC address & data pin3	12	Ground
13	LPC Frame	14	Ground

## JBAT1: Джемпер очистки данных CMOS (Сброс BIOS)

На плате установлена CMOS память с питанием от батарейки для хранения данных о конфигурации системы. Для сброса конфигурации системы (очистки данных CMOS памяти), воспользуйтесь этим джемпером.



Сохранение данных  
(По умолчанию)



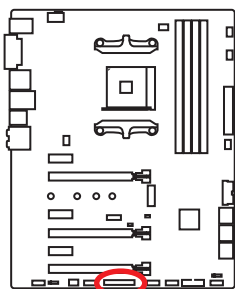
Очистка данных/  
Сброс BIOS

## Сброс настроек BIOS до значений по умолчанию

1. Выключите компьютер и **НЕ** отключите шнур питания (система в режиме S5/ Soft-off)
2. Используйте джемпер, чтобы замкнуть соответствующие контакты JBAT1 в течение 5-10 секунд.
3. Снимите джемпер с контактов JBAT1.
4. Включите компьютер.

## JLPT1: Разъем последовательного порта

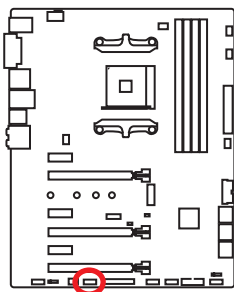
Данный разъем позволяет подключить последовательный порт, размещенный на внешнем брандмауэре.



26-pin JLPT1 Header Pinout					
Pin	Signal	Pin	Signal	Pin	Signal
1	RSTB#	2	AFD#	3	PRND0
4	ERR#	5	PRND1	6	PINIT#
7	PRND2	8	LPT_SLIN#	9	PRND3
10	Ground	11	PRND4	12	Ground
13	PRND5	14	Ground	15	PRND6
16	Ground	17	PRND7	18	Ground
19	ACK#	20	Ground	21	BUSY
22	Ground	23	PE	24	Ground
25	SLCT	26	No Pin		

## JCOM1: Разъем параллельного порта

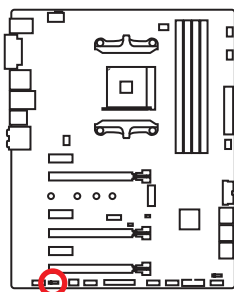
Данный разъем позволяет подключить параллельный порт, размещенный на внешней brackets.



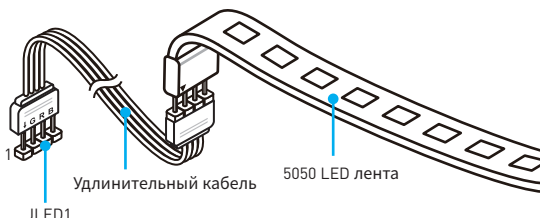
1	DCD	2	SIN
3	SOUT	4	DTR
5	Ground	6	DSR
7	RTS	8	CTS
9	RI	10	No Pin

## JLED1: Разъем RGB LED

Данный разъем предназначен для подключения светодиодных лент 5050 RGB.



1	+12V	2	G
3	R	4	B



### ▶ Видео Инструкция

Смотрите видео, чтобы узнать как установить светодиодных лент 5050 RGB к разъему RGB LED.

<https://youtu.be/CqNHyADzd2Q>

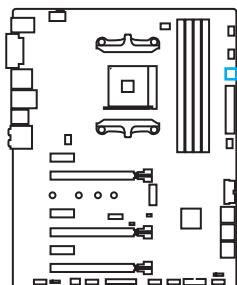
### ⚠ Внимание!

- Данный коннектор поддерживает подключение 5050 многоцветных светодиодных лент с мощностью 3А (12В). Обратите внимание, что длина лент должна быть не более 2 метров, иначе яркость свечения будет падать.
- Перед установкой или заменой светодиодных лент RGB, необходимо полностью обесточить систему и отключить кабель питания.
- Используйте **GAMMING APP** для управления удлинительными светодиодными лентами.

# Встроенные индикаторы

## Индикаторы отладки EZ

Данные светодиоды показывают состояния отладки материнской платы.



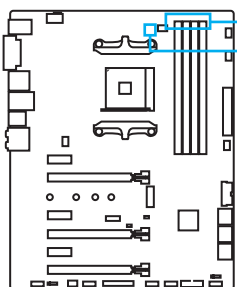
- CPU** - процессор не обнаружен или поврежден.
- DRAM** - память DRAM не обнаружена или повреждена.
- VGA** - видеокарта не обнаружена или повреждена.
- BOOT** - устройство загрузки не обнаружено или повреждено.

## Индикаторы DIMM

Данные светодиоды показывают установленные модуля памяти.

## Индикатор GPU

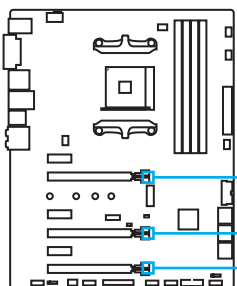
Данный индикатор указывает на то, что встроенная графика процессора обнаружена и необходимо установить графическую карту.



- DIMM LEDs
- GPU LED

## Индикаторы слота PCIe x16

Данные LED светодиоды показывают режим работы слотов PCIe x16.



- PCI\_E2 LED
- PCI\_E4 LED
- PCI\_E6 LED

Цвет LED	Режим работы слота PCIe
Красный	x16
Белый	x8, x4, x1

# Настройка BIOS

Настройки по умолчанию обеспечивают оптимальную производительность и стабильность системы при нормальных условиях. Если вы недостаточно хорошо знакомы с BIOS, **всегда устанавливайте настройки по умолчанию**. Это позволит избежать возможных повреждений системы, а также проблем с загрузкой.

## **Внимание!**

- С целью улучшения производительности, меню BIOS постоянно обновляется. В связи с этим данное описание может немного отличаться от последней версии BIOS и может использоваться в качестве справки. Для описания какого либо пункта меню настроек BIOS, вы можете обратиться к информационной панели **HELP**.
- Изображения в этой главе приведены исключительно в справочных целях и могут отличаться от фактических.

## Вход в настройки BIOS

Нажмите клавишу **Delete**, когда появляется сообщение на экране **Press DEL key to enter Setup Menu, F11 to enter Boot Menu** во время загрузки.

## Функциональные клавиши

- F1:** Общая справка
- F2:** Добавить / Удалить избранный предмет
- F3:** Вход в меню Избранное
- F4:** Вход в меню технических параметров процессора
- F5:** Вход в меню Memory-Z
- F6:** Загрузить оптимизированные настройки по умолчанию
- F7:** Переключить между расширенном режимом и режимом EZ
- F8:** Загрузить профиль разгона
- F9:** Сохранить профиль разгона
- F10:** Сохранение изменений и перезагрузка\*
- F12:** Сделать скриншот и сохранить его на USB флэш-диск (только FAT / FAT32 формат).

\* При нажатии клавиши **F10** появится информационное окно. Выберите **Yes** или **No**, чтобы подтвердить выбор.

## Сброс BIOS

В некоторых ситуациях необходимо выполнить восстановление настроек BIOS до значений по умолчанию. Существует несколько способов сброса настроек:

- Войдите в BIOS и нажмите клавишу **F6** для загрузки оптимизированных значений по умолчанию.
- Замкните **джампер Clear CMOS** на материнской плате.



### **Внимание!**

*Убедитесь, что компьютер выключен перед очисткой данных CMOS. Для получения дополнительной информации о сбросе настроек BIOS, обратитесь к разделу Кнопка/ Джампер **очистки данных CMOS**.*

## Обновление BIOS

### Обновление BIOS при помощи M-FLASH

Подготовительные операции:

Пожалуйста, скачайте последнюю версию файла BIOS с сайта MSI, который соответствует вашей модели материнской платы. Сохраните файл BIOS на флэш-диске USB.

Обновление BIOS:

1. Нажмите клавишу Del для входа в настройки BIOS во время процедуры POST.
2. Вставьте флэш-диск USB, содержащий файл обновления в компьютер.
3. Выберите вкладку **M-FLASH** и нажмите на кнопку **Yes** для перезагрузки системы и входа в режим обновления.
4. Выберите файл BIOS для выполнения процесса обновления BIOS.
5. После завершения процесса обновления, система перезагрузится автоматически.

### Обновление BIOS при помощи Live Update 6

Перед обновлением:

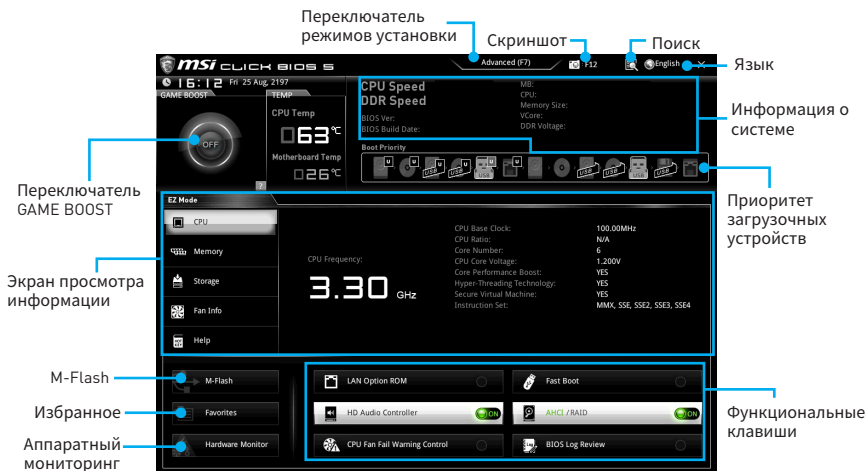
Убедитесь, что драйвер локальной сети установлен и есть подключение к сети Интернет.

Обновление BIOS:

1. Установите и запустите MSI LIVE UPDATE 6.
2. Выберите **BIOS Update**.
3. Нажмите на кнопку **Scan**.
4. Нажмите на значок **Download**, чтобы загрузить и установить последнюю версию файла BIOS.
5. Нажмите кнопку **Next** и выберите **In Windows mode**. И затем нажмите кнопку **Next** и **Start** для запуска обновления BIOS.
6. По завершению процесса обновления, система перезагрузится автоматически.

## Режим EZ

Режим EZ предоставляет основную информацию о системе и позволяет выполнить основные операции по настройке. Для настройки расширенных функций BIOS, пожалуйста, войдите в Расширенный режим, путем нажатия **Переключатель режимов установки** или при помощи функциональной клавиши **F7**.



- **Переключатель GAME BOOST** - кликните для переключения в ОС режим **GAME BOOST**.

### **⚠ Внимание!**

Для сохранения оптимальной производительности и стабильности системы после активации функции **GAME BOOST**, пожалуйста, не делайте никаких изменений в меню ОС и не загружайте настройки по умолчанию.

- **Переключатель режимов установки** - нажмите эту вкладку или клавишу **F7**, чтобы переключиться между режимами EZ и разгона.
- **Скриншот** - нажмите на эту вкладку или клавишу **F12**, чтобы сделать скриншот и сохранить его на флэш-диск USB (только FAT/ FAT32).
- **Поиск** - кликните по данной вкладке или нажмите клавиши **Ctrl + F** для перехода на страницу поиска. Это позволяет выполнить поиск по имени параметра BIOS. Для вывода списка пунктов BIOS, введите имя параметра. Наведите указатель мыши на пустое место и щелкните правой кнопкой мыши, для выхода со страницы поиска.

### **⚠ Внимание!**

На странице поиска доступны только функциональные клавиши **F6**, **F10** и **F12**.

- **Язык** - позволяет выбрать язык интерфейса настроек BIOS.

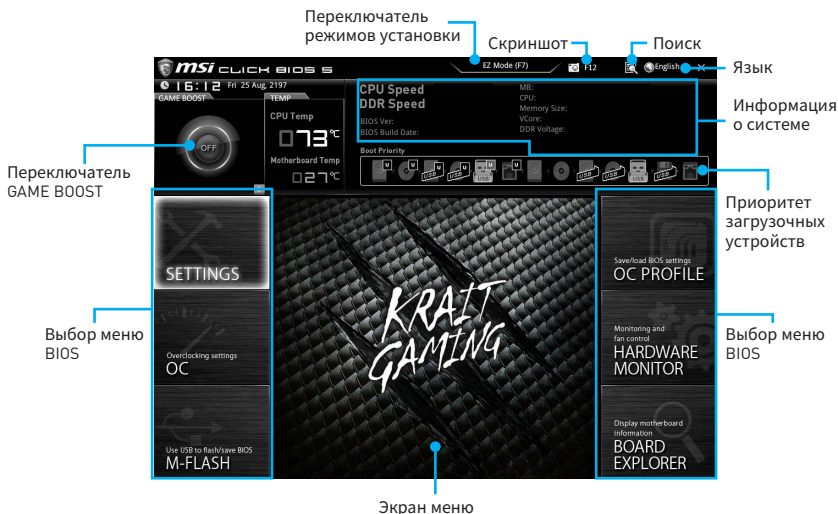
- **Информация о системе** - показывает частоту процессора/ памяти, температуру процессора/ материнской платы, информацию о материнской плате/процессоре, размер памяти, напряжение на процессоре/ памяти, версию BIOS и дату создания.
- **Приоритет загрузочных устройств** - вы можете переместить иконку устройства для изменения приоритета загрузки. Приоритет загрузки устанавливается слева направо, от высокого к низкому.
- **Экран просмотра информации** - нажмите на кнопку **CPU, Memory, Storage, Fan Info и Help** в левой части экрана для отображения соответствующей информации.
- **Функциональные клавиши** - включают или выключают **LAN Option ROM, HD audio controller, AHCI, RAID, CPU Fan Fail Warning Control** и **BIOS Log Review**, при нажатии на соответствующую кнопку.

### **Внимание!**

- *В процессе установки Windows может потребоваться драйвер RAID. Вы можете найти драйвер на диске MSI с драйверами из комплекта поставки.*
- *Вы также можете использовать **MSI SMART TOOL** для создания установочного ска Windows® 7/ 10, который будет включать драйвер RAID.*
- *В случае удаления созданного ранее RAID массива через настройки UEFI BIOS, ваша система не сможет быть загружена.*
- **M-Flash** - нажмите на эту кнопку для отображения меню **M-Flash**. Пункт позволяет выбрать способ обновления BIOS при помощи USB флеш накопителя.
- **Аппаратный мониторинг** - нажмите на эту кнопку для отображения меню **аппаратного мониторинга**. Пункт позволяет вручную регулировать скорость вращения вентиляторов в процентах.
- **Избранное** - нажмите на данную кнопку или клавишу **F3** для входа в меню **Избранное**. Позволяет создать личное меню BIOS, где вы можете сохранить и получить доступ к вашим любимым и часто используемым настройкам BIOS.
  - **Главная страница по умолчанию** - позволяет выбрать меню BIOS (например, параметры, ОС..., и т.д.) в качестве главной страницы BIOS.
  - **Избранное1~5** - позволяет добавлять наиболее часто используемые / любимые пункты настройки BIOS на одну страницу.
  - **Добавление пункта BIOS в страницу Избранное (избранное 1~5)**
    1. Выберите пункт BIOS в настройках ОС или меню ОС.
    2. Щелкните правой кнопкой мыши или нажмите клавишу **F2**.
    3. Выберите любимую страницу и нажмите на кнопку **OK**.
  - **Удаление пункта BIOS из страницы Избранное**
    1. Выберите пункт BIOS на странице Избранное (избранное 1~5).
    2. Щелкните правой кнопкой мыши или нажмите клавишу **F2**.
    3. Выберите **Delete** и нажмите на кнопку **OK**.

## Режим разгона

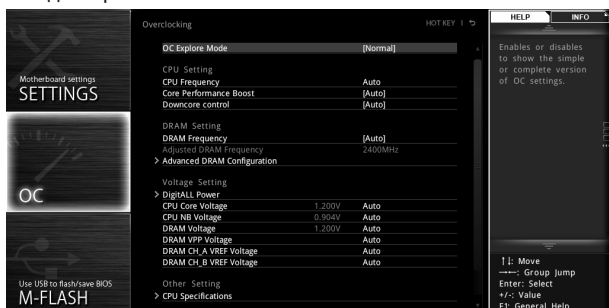
Нажмите **переключатель режимов установки** или функциональную клавишу **F7** для переключения между режимами EZ и разгона в настройках BIOS.



- **Переключатель GAME BOOST/ Переключатель режимов установки/ Скриншот/ Избранное/ Язык/ Информация о системе/ Приоритет загрузочных устройств** - пожалуйста, обратитесь к разделу Режим EZ.
- **Выбор меню BIOS** - доступны следующие опции:
  - **SETTINGS** - в данном меню представлены настройки чипсета и загрузочных устройств.
  - **OC** - позволяют регулировать частоту и напряжение. Увеличение частоты приводит к увеличению производительности.
  - **M-FLASH** - позволяет выбрать метод обновления BIOS с USB флэш-диска.
  - **OC PROFILE** - позволяет управлять профилями разгона.
  - **HARDWARE MONITOR** - позволяет установить скорость работы вентиляторов и мониторинг напряжений системы.
  - **BOARD EXPLORER** - предоставляет информации об установленных устройствах на материнской плате.
- **Экран меню** - отображаются настройки BIOS и дополнительная информация.

## Меню OC

Данное меню предназначено для опытных пользователей и предоставляет возможности для «разгона» системы.



### **Внимание!**

- Разгонять ПК вручную рекомендуется только опытным пользователям.
- Производитель не гарантирует успешность разгона. Неправильное выполнение разгона может привести к аннулированию гарантии и серьезному повреждению оборудования.

#### ► OC Explore Mode [Normal]

Включение или выключение отображения нормального или экспертного режима настроек разгона.

[Normal] Стандартные параметры разгона в BIOS.

[Expert] Расширенные параметры разгона в BIOS для опытных пользователей.

Примечание: Символом \* отмечаются параметры разгона в режиме Expert.

#### ► CPU Frequency [Auto]

Установка частоту процессора.

#### ► Core Performance Boost [Auto]

Включение или выключение Core Performance Boost (CPB). Данный пункт доступен, когда установлен процессор с поддержкой данной функции.

#### ► Downcore Control [Auto] (опционально)

Настройка числа используемых ядер процессора. Данный пункт доступен, когда установлен процессор с поддержкой данной функции.

#### ► DRAM Frequency [Auto]

Установка частоты памяти DRAM. Обратите внимание, что возможность успешного разгона не гарантируется.

#### ► Adjusted DRAM Frequency

Показывает текущую частоту DRAM. Это значение нельзя изменять.

### ► **Advanced DRAM Configuration**

Нажмите **Enter** для входа в подменю. Пользователь может настроить тайминги для каждого канала памяти. Система может работать нестабильно или не загружаться после изменения таймингов памяти. Если система работает нестабильно, пожалуйста, очистите данные CMOS и восстановите настройки по умолчанию. (см. переключатель очистки данных CMOS/раздел кнопки для очистки данных CMOS и вход в BIOS, чтобы загрузить настройки по умолчанию.)

### ► **DigitALL Power**

Нажмите **Enter** для входа в подменю. Функция управляет цепями питания, связанными с PWM процессора.

#### ► **CPU Loadline Calibration Control [Auto]**

Напряжение на процессоре уменьшается пропорционально, в зависимости от его загрузки. Повышение значения load-line calibration приводит к повышению напряжения и производительности при разгоне, но и увеличивает температуру процессора и VRM. При установке в **Auto**, BIOS автоматически настроит этот параметр.

#### ► **CPU NB Loadline Calibration Control [Auto]**

Напряжение CPU-NB уменьшается пропорционально, в зависимости от его загрузки. Повышение значения load-line calibration приводит к повышению напряжения и производительности при разгоне, но и увеличивает температуру. При установке в **Auto**, BIOS автоматически настроит этот параметр.

#### ► **CPU Over Voltage Protection [Auto]**

Устанавливает верхнюю границу максимального напряжения для защиты процессора от повышенного напряжения. Если установлено **Auto**, BIOS автоматически настроит этот параметр. Чем выше значение, тем ниже степень защиты и выше вероятность выхода системы из строя.

#### ► **CPU Under Voltage Protection [Auto]**

Устанавливает нижнюю границу напряжения для защиты процессора от пониженного напряжения. Если установлено **Auto**, BIOS автоматически настроит этот параметр. Чем выше значение, тем ниже степень защиты и выше вероятность выхода системы из строя.

#### ► **CPU Over Current Protection [Auto]**

Устанавливает ограничение по максимальному току для защиты процессора. При установке в **Auto**, BIOS автоматически настроит этот параметр.

[Auto] Этот параметр будет настроен автоматически с помощью BIOS.

[Enhanced] Расширяет ограничение по току от перегрузки по току.

#### ► **VR 12VIN OCP Expander [Auto]**

Расширение ограничения по току для защиты VR при входном напряжении 12В. Повышенные значения обеспечивают меньшую защиту. Во избежание повреждения CPU/VR MOS будьте осторожны. Изменяйте значение только при необходимости. При установке в **Auto**, BIOS автоматически настроит этот параметр.

### ▶ CPU Voltages control [Auto]

Эти параметры позволяют вам задать напряжения, связанные с процессором. При установке в **Auto**, BIOS установит напряжения автоматически. Вы также можете настроить напряжения вручную.

### ▶ DRAM/PROM Voltages control [Auto]

Эти параметры позволяют вам задать напряжения, связанные с памятью. При установке в **Auto**, BIOS установит напряжения автоматически. Вы также можете настроить напряжения вручную.

### ▶ CPU Memory Changed Detect [Enabled]\*

Включение или выключение предупреждающих сообщений при загрузке системы, когда процессор или память были заменены.

[Enabled] Система выдает предупреждение во время загрузки. Требуется загрузить настройки по умолчанию для новых устройств.

[Disabled] Выключение этой функции и сохранение текущих настроек BIOS.

### ▶ CPU Specifications

Нажмите **Enter** для входа в подменю. В этом подменю представлена информация об установленном процессоре. Для просмотра этой информации в любое время нажмите на кнопку [F4]. Это значение нельзя изменять.

#### ▶ CPU Technology Support

Нажмите **Enter** для входа в подменю. В данном подменю отображаются основные функции, поддерживаемые установленным процессором. Это значение нельзя изменять.

### ▶ MEMORY-Z

Нажмите **Enter** для входа в подменю. В подменю выделены все параметры и тайминги установленной памяти. Для просмотра этой информации в любое время нажмите на кнопку [F5].

#### ▶ DIMMx Memory SPD

Нажмите **Enter** для входа в подменю. Это подменю показывает информацию об установленной памяти. Это значение нельзя изменять.

### ▶ CPU Features

Нажмите **Enter** для входа в подменю.

#### ▶ AMD Cool' n' Quiet [Enabled]

Технология Cool' n' Quiet позволяет эффективно динамически изменять частоту CPU и энергопотребление системы.

#### ▶ SVM Mode [Disabled]

Включение или выключение AMD SVM (Secure Virtual Machine) Mode.

#### ▶ Core C6 state [Enabled]

Включение или выключение C6 state.

# Описание программного обеспечения

Скачайте и обновите последние утилиты и драйвера с сайта: [www.msi.com](http://www.msi.com)

## Установка Windows® 7 64-бит/ Windows® 10 64-бит

1. Включите компьютер.
2. Вставьте диск Windows® 7/10 в привод для оптических дисков.  
*Примечание:* Из-за ограничений, накладываемых установщиком Windows® 7, USB оптические приводы и флеш накопители не поддерживаются. Вы можете использовать **MSI Smart Tool** для установки Windows® 7.
3. Нажмите кнопку **Restart** на корпусе компьютера.
4. Нажмите клавишу **F11** во время POST (Power-On Self Test) компьютера, чтобы войти в меню загрузки.
5. Выберите оптический привод в меню загрузки.
6. Нажмите любую клавишу, когда на экране показывает сообщение **Press any key to boot from CD or DVD...**
7. Следуйте инструкциям на экране, чтобы установить Windows® 7/ 10.

## Установка драйверов

1. Загрузите компьютер в Windows® 7/ 10.
2. Вставьте диск с драйверами MSI® Driver Disc в привод для оптических дисков.
3. Автоматически отобразится окно установщика, который найдет и перечислит все необходимые драйверы.
4. Нажмите кнопку **Install**.
5. Начнется установка драйверов. После ее завершения будет предложено перезапустить систему.
6. Нажмите кнопку **OK** для завершения.
7. Перезапустите компьютер.

## Установка утилит

Перед установкой утилиты необходимо выполнить установку драйверов.

1. Вставьте диск с драйверами MSI® Driver Disc в привод для оптических дисков.
2. Автоматически отобразится окно установщика.
3. Нажмите вкладку **Utilities**.
4. Выберите необходимые для установки утилиты.
5. Нажмите кнопку **Install**.
6. Начнется установка программного обеспечения. После ее завершения будет предложено перезапустить систему.
7. Нажмите кнопку **OK** для завершения.
8. Перезапустите компьютер.

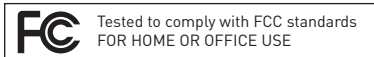
# Regulatory Notices

## FCC Compliance Statement

Note: This equipment has been tested and found to comply with the limits for a Class B digital device, pursuant to part 15 of the FCC Rules. These limits are designed to provide reasonable protection against harmful interference in a residential installation. This equipment generates, uses and can radiate radio frequency energy and, if not installed and used in accordance with the instructions, may cause harmful interference to radio communications. However, there is no guarantee that interference will not occur in a particular installation. If this equipment does cause harmful interference to radio or television reception, which can be determined by turning the equipment off and on, the user is encouraged to try to correct the interference by one or more of the following measures:


- Reorient or relocate the receiving antenna.
- Increase the separation between the equipment and receiver.
- Connect the equipment into an outlet on a circuit different from that to which the receiver is connected.
- Consult the dealer or an experienced radio/TV technician for help.

Caution: Changes or modifications not expressly approved by the party responsible for compliance could void the user's authority to operate the equipment.



This device complies with part 15 of the FCC Rules. Operation is subject to the following two conditions:  
(1) This device may not cause harmful interference, and  
(2) this device must accept any interference received, including interference that may cause undesired operation.


## CE Conformity

 Hereby, Micro-Star International CO., LTD declares that this device is in compliance with the essential safety requirements and other relevant provisions set out in the European Directive.


## C-Tick Compliance



## B급 기기 (가정용 방송통신기자재)

 이 기기는 가정용(B급) 전자파적합기기로서 주 로 가정에서 사용하는 것을 목적으로 하며, 모든 지역에서 사용할 수 있습니다.

## クラスB情報技術装置

 この装置は、クラスB情報技術装置です。この装置は、家庭環境で使用することを目的としていますが、この装置がラジオやテレビジョン受信機に近接して使用されると、受信障害を引き起こすことがあります。取扱説明書に従って正しい取り扱いをして下さい

VCCI-B

## Battery Information

European Union:



Batteries, battery packs, and accumulators should not be disposed of as unsorted household waste. Please use the public collection system to return, recycle, or treat them in compliance with the local regulations.

Taiwan:



廢電池請回收

For better environmental protection, waste batteries should be collected separately for recycling or special disposal.

California, USA:



The button cell battery may contain perchlorate material and requires special handling when recycled or disposed of in California.

For further information please visit:

<http://www.dtsc.ca.gov/hazardouswaste/perchlorate/>

CAUTION: There is a risk of explosion, if battery is incorrectly replaced.  
Replace only with the same or equivalent type recommended by the manufacturer.

## Chemical Substances Information

In compliance with chemical substances regulations, such as the EU REACH Regulation (Regulation EC No. 1907/2006 of the European Parliament and the Council), MSI provides the information of chemical substances in products at:  
[http://www.msi.com/html/popup/csr/evmtprtt\\_pcm.html](http://www.msi.com/html/popup/csr/evmtprtt_pcm.html)

## WEEE (Waste Electrical and Electronic Equipment) Statement

### ENGLISH

To protect the global environment and as an environmentalist, MSI must remind you that...

Under the European Union ("EU") Directive on Waste Electrical and Electronic Equipment, Directive 2002/96/EC, which takes effect on August 13, 2005, products of "electrical and electronic equipment" cannot be discarded as municipal wastes anymore, and manufacturers of covered electronic equipment will be obligated to take back such products at the end of their useful life. MSI will comply with the product take back requirements at the end of life of MSI-branded products that are sold into the EU. You can return these products to local collection points.



### DEUTSCH

Hinweis von MSI zur Erhaltung und Schutz unserer Umwelt

Gemäß der Richtlinie 2002/96/EG über Elektro- und Elektronik-Altgeräte dürfen Elektro- und Elektronik-Altgeräte nicht mehr als kommunale Abfälle entsorgt werden. MSI hat europaweit verschiedene Sammel- und Recyclingunternehmen beauftragt, die in die Europäische Union in Verkehr gebrachten Produkte, am Ende seines Lebenszyklus zurückzunehmen. Bitte entsorgen Sie dieses Produkt zum gegebenen Zeitpunkt ausschliesslich an einer lokalen Altgerätesammelstelle in Ihrer Nähe.

### FRANÇAIS

En tant qu'écologiste et afin de protéger l'environnement, MSI tient à rappeler ceci... Au sujet de la directive européenne (EU) relative aux déchets des équipement électriques et électroniques, directive 2002/96/EC, prenant effet le 13 août 2005, que les produits électriques et électroniques ne peuvent être déposés dans les décharges ou tout simplement mis à la poubelle. Les fabricants de ces équipements seront obligés de récupérer certains produits en fin de vie. MSI prendra en compte cette exigence relative au retour des produits en fin de vie au sein de la communauté européenne. Par conséquent vous pouvez retourner localement ces matériels dans les points de collecte.

### РУССКИЙ

Компания MSI предпринимает активные действия по защите окружающей среды, поэтому напоминаем вам, что... В соответствии с директивой Европейского Союза (ЕС) по предотвращению загрязнения окружающей среды использованным электрическим и электронным оборудованием [директива WEEE 2002/96/ЕС], вступающей в силу 13 августа 2005 года, изделия, относящиеся к электрическому и электронному оборудованию, не могут рассматриваться как бытовой мусор, поэтому производители вышеперечисленного электронного оборудования обязаны принимать его для переработки по окончании срока службы. MSI обязуется соблюдать требования по приему продукции, проданной под маркой MSI на территории ЕС, в переработку по окончании срока службы. Вы можете вернуть эти изделия в специализированные пункты приема.

### ESPAÑOL

MSI como empresa comprometida con la protección del medio ambiente, recomienda: Bajo la directiva 2002/96/EC de la Unión Europea en materia de desechos y/o equipos electrónicos, con fecha de rigor desde el 13 de agosto de 2005, los productos clasificados como "eléctricos y equipos electrónicos" no pueden ser depositados en los contenedores habituales de su municipio, los fabricantes de equipos electrónicos, están obligados a hacerse cargo de dichos productos al término de su periodo de vida. MSI estará comprometido con los términos de recogida de sus productos vendidos en la Unión Europea al final de su periodo de vida. Usted debe depositar estos productos en el punto limpio establecido por el ayuntamiento de su localidad o entregar a una empresa autorizada para la recogida de estos residuos.

### NEDERLANDS

Om het milieu te beschermen, wil MSI u eraan herinneren dat...

De richtlijn van de Europese Unie (EU) met betrekking tot Vervuiling van Electricische en Electronische producten (2002/96/EC), die op 13 Augustus 2005 in zal gaan kunnen niet meer beschouwd worden als vervuiling. Fabrikanten van dit soort producten worden verplicht om producten retour te nemen aan het eind van hun levenscyclus. MSI zal overeenkomstig de richtlijn handelen voor de producten die de merknaam MSI dragen en verkocht zijn in de EU. Deze goederen kunnen geretourneerd worden op lokale inzamelingspunten.

### SRPSKI

Da bi zaštitili prirodnu sredinu, i kao proizvođače koje vodi računa o okolini i prirodnoj sredini, MSI mora da vas podesti da... Po Direktivi Evropske unije ("EU") o odbačenoj elektonskoj i električnoj opremi, Direktiva 2002/96/EC, koja stupa na snagu od 13. Avgusta 2005, proizvođači koji spadaju pod "elektronsku i električnu opremu" ne mogu više biti odbačeni kao običan otpad i proizvođači ove opreme biće prinudeni da uzmu natrag ove proizvode na kraju njihovog uobičajenog veka trajanja. MSI će poštovati zahtev o preuzimanju ovakvih proizvoda kojima je istekao vek trajanja, koji imaju MSI oznaku i koji su prodati u EU. Ove proizvode možete vratiti na lokalnim mestima za prikupljanje.

### POLSKI

Aby chronić nasze środowisko naturalne oraz jako firma dbająca o ekologię, MSI przypomina, że... Zgodnie z Dyrektywą Unii Europejskiej ("UE") dotycząca odpadów produktów elektrycznych i elektronicznych (Dyrektywa 2002/96/EC), która wchodzi w życie 13 sierpnia 2005, tzw. "produkty oraz wyposażenie elektryczne i elektroniczne" nie mogą być traktowane jako śmieci komunalne, tak więc producenci tych produktów będą zobowiązani do odbierania ich w momencie gdy produkt jest wycofywany z użycia. MSI wypełni wymagania UE, przyjmując produkty [sprzedawane na terenie Unii Europejskiej] wycofywane z użycia. Produkty MSI będzie można zwracać w wyznaczonych punktach zbiorczych.

## TÜRKÇE

Çevreci özelliğiyle bilinen MSI dünyada çevreyi korumak için hatırlatır:  
Avrupa Birliği (AB) Kararnamesi Elektrik ve Elektronik Malzeme Atığı, 2002/96/EC Kararnamesi altında 13 Ağustos 2005 tarihinden itibaren geçerli olmak üzere, elektrikli ve elektronik malzemeler diğer atıklar gibi çöpe atılmayacak ve bu elektronik cihazların üreticileri, cihazların kullanın süreleri bittikten sonra ürünleri geri toplamakla yükümlü olacaktır. Avrupa Birliği'ne satılan MSI markalı ürünlerin kullanın süreleri bittiğinde MSI ürünlerin geri alınması isteği ile işbirliği içerisinde olacaktır. Ürünlerinizi yerel toplama noktalarına bırakabilirsiniz.

## ČESKY

Záleží nám na ochraně životního prostředí - společnost MSI upozorňuje...  
Podle směrnice Evropské unie ("EU") o likvidaci elektrických a elektronických výrobků 2002/96/EC platné od 13. srpna 2005 je zakázáno likvidovat "elektrické a elektronické výrobky" v běžném komunálním odpadu a výrobci elektrických výrobků, na které se tato směrnice vztahuje, budou povinni odebírat takové výrobky zpět po skončení jejich životnosti. Společnost MSI splní požadavky na odebrání výrobků značky MSI, prodávaných v zemích EU, po skončení jejich životnosti. Tyto výrobky můžete odevzdat v místních sběrnách.

## MAGYAR

Annak érdekében, hogy környezetünk megvédjük, illetve környezetvédekként fellépve az MSI emlékezteti Önt, hogy ...  
Az Európai Unió („EU”) 2005. augusztus 13-án hatályba lépő, az elektromos és elektronikus berendezések hulladékaíról szóló 2002/96/EK irányelve szerint az elektromos és elektronikus berendezések többé nem kezelhetőek lakossági hulladékként, és az ilyen elektronikus berendezések gyártói kötelesek válnak az ilyen termékek visszavételére azok hasznos élettartama végén. Az MSI betartja a termékviszavétellel kapcsolatos követelményeket az MSI márkanév alatt az EU-n belül értékesített termékek esetében, azok élettartamának végén. Az ilyen termékeket a legközelebbi gyűjtőhelyre viheti.

## ITALIANO

Per proteggere l'ambiente, MSI, da sempre amica della natura, ti ricorda che...  
In base alla Direttiva dell'Unione Europea (EU) sullo Smaltimento dei Materiali Elettrici ed Elettronici, Direttiva 2002/96/EC in vigore dal 13 Agosto 2005, prodotti appartenenti alla categoria dei Materiali Elettrici ed Elettronici non possono più essere eliminati come rifiuti municipali: i produttori di detti materiali saranno obbligati a ritirare ogni prodotto alla fine del suo ciclo di vita. MSI si addeguerà a tale Direttiva ritirando tutti i prodotti marchiati MSI che sono stati venduti all'interno dell'Unione Europea alla fine del loro ciclo di vita. È possibile portare i prodotti nel più vicino punto di raccolta

## 日本JIS C 0950材質宣言

日本工業規格JIS C 0950により、2006年7月1日以降に販売される特定分野の電気および電子機器について、製造者による含有物質の表示が義務付けられます。  
[http://www.msi.com/html/popup/csr/cemm\\_jp.html](http://www.msi.com/html/popup/csr/cemm_jp.html)  
[http://tw.msi.com/html/popup/csr\\_tw/cemm\\_jp.html](http://tw.msi.com/html/popup/csr_tw/cemm_jp.html)

## India RoHS

This product complies with the "India E-waste (Management and Handling) Rule 2011" and prohibits use of lead, mercury, hexavalent chromium, polybrominated biphenyls or polybrominated diphenyl ethers in concentrations exceeding 0.1 weight % and 0.01 weight % for cadmium, except for the exemptions set in Schedule 2 of the Rule.

## Türkiye EEE yönetmeli i

Türkiye Cumhuriyeti: EEE Yönetmeli ine Uygundur

## Україна обмеження на наявність небезпечних речовин

Обладнання відповідає вимогам Технічного регламенту щодо обмеження використання деяких небезпечних речовин в електричному та електронному обладнанні, затвердженого постановою Кабінету Міністрів України від 3 грудня 2008 № 1057.

## Việt Nam RoHS

Kể từ ngày 01/12/2012, tất cả các sản phẩm do công ty MSI sản xuất tuân thủ Thông tư số 30/2011/TT-BCT quy định tạm thời về giới hạn hàm lượng cho phép của một số hóa chất độc hại có trong các sản phẩm điện, điện tử"

## Environmental Policy

- The product has been designed to enable proper reuse of parts and recycling and should not be thrown away at its end of life.
- Users should contact the local authorized point of collection for recycling and disposing of their end-of-life products.
- Visit the MSI website and locate a nearby distributor for further recycling information.
- Users may also reach us at [gpcontdev@msi.com](mailto:gpcontdev@msi.com) for information regarding proper Disposal, Take-back, Recycling, and Disassembly of MSI products.



## 产品中有害物质的名称及含量

部件名称	有害物质					
	铅 (Pb)	汞 (Hg)	镉 (Cd)	六价铬 (Cr(VI))	多溴联苯 (PBB)	多溴二苯醚 (PBDE)
印刷电路板组件*	X	0	0	0	0	0
电池** 	X	0	0	0	0	0
外部信号连接头	X	0	0	0	0	0
线材	X	0	0	0	0	0

本表格依据 SJ/T 11364 的规定编制。

0: 表示该有害物质在该部件所有均质材料中的含量均在 GB/T 26572 规定的限量要求以下。

X: 表示该有害物质至少在该部件的某一均质材料中的含量超出 GB/T 26572 规定的限量要求, 但所有部件都符合欧盟 RoHS 要求。

\* 印刷电路板组件: 包括印刷电路板及其构成的零部件。

\*\* 电池本体上如有环保使用期限标识, 以本体标识为主。

■ 上述有毒有害物质或元素清单会依型号之部件差异而有所增减。

■ 产品部件本体上如有环保使用期限标识, 以本体标识为主。

## Copyright

**msi** Micro-Star Int'l Co., Ltd.  
Copyright © 2017 All rights reserved.

The material in this document is the intellectual property of Micro-Star Int'l Co., Ltd. We take every care in the preparation of this document, but no guarantee is given as to the correctness of its contents. Our products are under continual improvement and we reserve the right to make changes without notice.

## Technical Support

If a problem arises with your system and no solution can be obtained from the user guide, please contact your place of purchase or local distributor. Alternatively, please try the following help resources for further guidance.

- Visit the MSI website for technical guide, BIOS updates, driver updates, and other information: <http://www.msi.com>
- Register your product at: <http://register.msi.com>

## Trademark Recognition

All product names used in this manual are the properties of their respective owners and are acknowledged.

## Revision History

Version 1.0, 2017/03, First release.  
Version 1.1, 2017/11, Removing Gamecaster.