

## Quick Start

Thank you for purchasing the MSI® **X299 XPOWER GAMING AC** motherboard. This Quick Start section provides demonstration diagrams about how to install your computer. Some of the installations also provide video demonstrations. Please link to the URL to watch it with the web browser on your phone or tablet. You may have even link to the URL by scanning the QR code.

## Kurzanleitung

Danke, dass Sie das MSI® **X299 XPOWER GAMING AC** Motherboard gewählt haben. Dieser Abschnitt der Kurzanleitung bietet eine Demo zur Installation Ihres Computers. Manche Installationen bieten auch die Videodemonstrationen. Klicken Sie auf die URL, um diese Videoanleitung mit Ihrem Browser auf Ihrem Handy oder Table anzusehen. Oder scannen Sie auch den QR Code mit Ihrem Handy, um die URL zu öffnen.

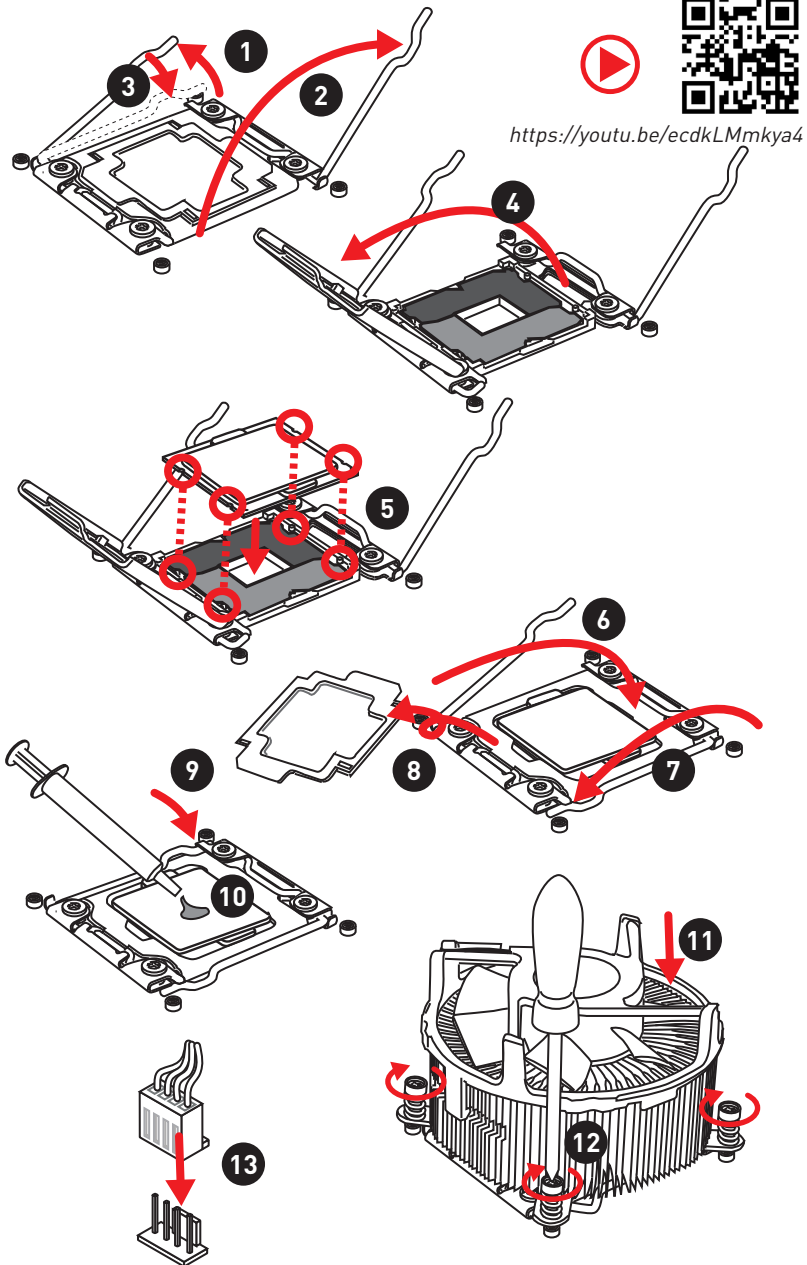
## Présentation rapide

Merci d' avoir choisi la carte mère MSI® **X299 XPOWER GAMING AC**. Ce manuel fournit une rapide présentation avec des illustrations explicatives qui vous aideront à assembler votre ordinateur. Des tutoriels vidéo sont disponibles pour certaines étapes. Cliquez sur le lien fourni pour regarder la vidéo sur votre téléphone ou votre tablette. Vous pouvez également accéder au lien en scannant le QR code qui lui est associé.

## Быстрый старт

Благодарим вас за покупку материнской платы MSI® **X299 XPOWER GAMING AC**. В этом разделе представлена информация, которая поможет вам при сборке компьютера. Для некоторых этапов сборки имеются видеoinструкции. Для просмотра видео, необходимо открыть соответствующую ссылку в веб-браузере на вашем телефоне или планшете. Вы также можете выполнить переход по ссылке, путем сканирования QR-кода.

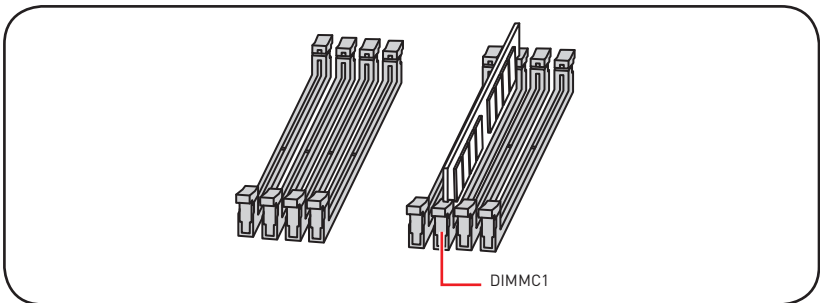
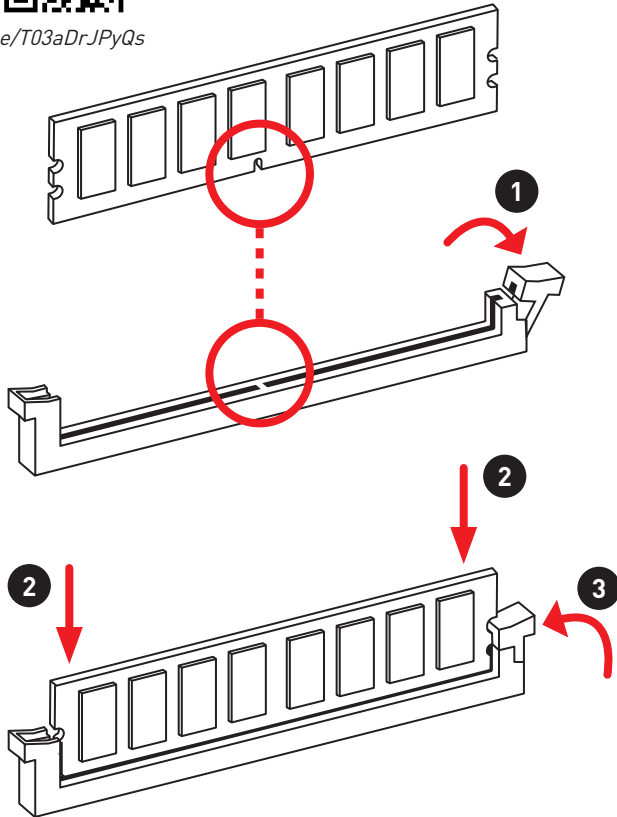
# Installing a Processor/ Installation des Prozessors/ Installer un processeur/ Установка процессора



# Installing DDR4 memory/ Installation des DDR4-Speichers/ Installer une mémoire DDR4/ Установка памяти DDR4



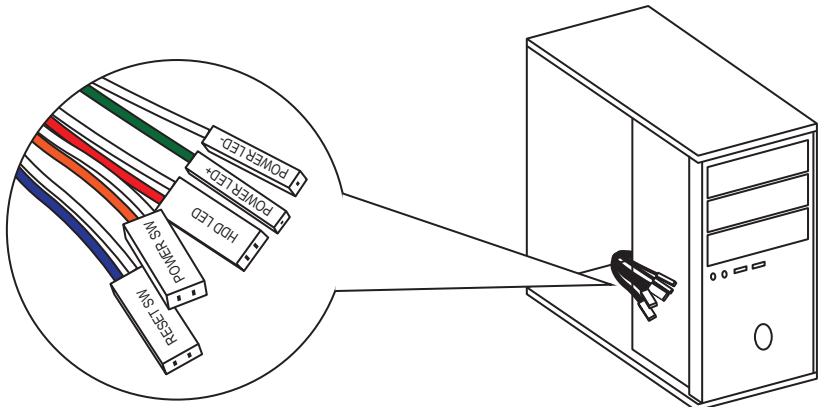
<http://youtu.be/T03aDrJPYQs>



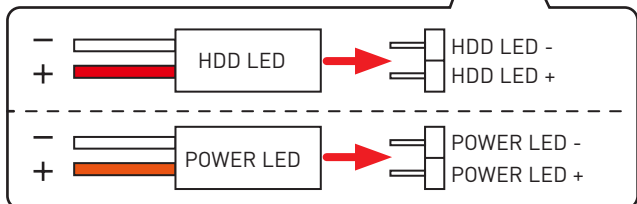
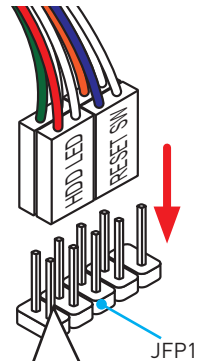
# Connecting the Front Panel Header/ Anschließen der Frontpanel-Stiftleiste/ Connecter un connecteur du panneau avant/ Подключение разъемов передней панели



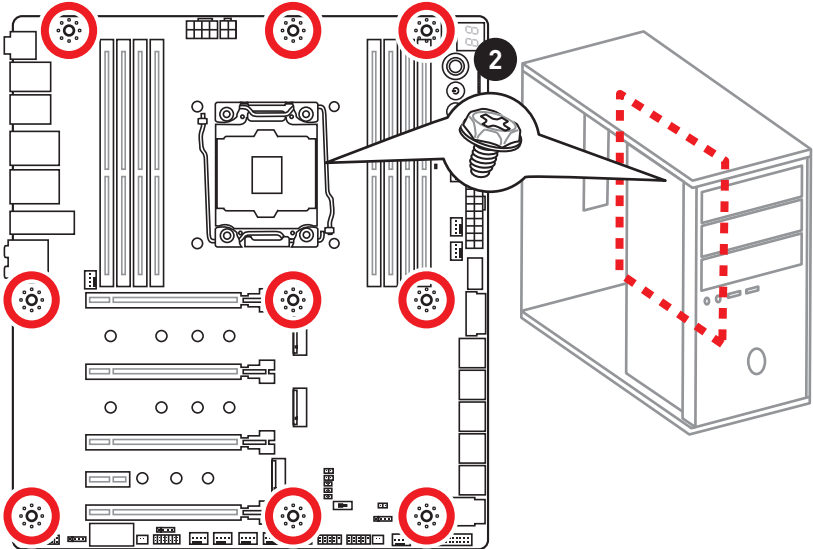
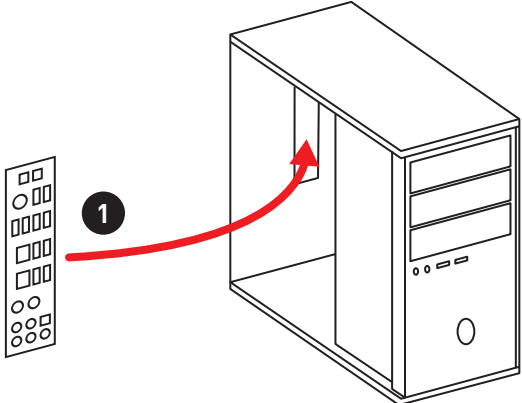
<http://youtu.be/DPELIdVNZUI>



<p>JFP1</p>		1	HDD LED +	2	Power LED +
		3	HDD LED -	4	Power LED -
		5	Reset Switch	6	Power Switch
		7	Reset Switch	8	Power Switch
		9	Reserved	10	No Pin



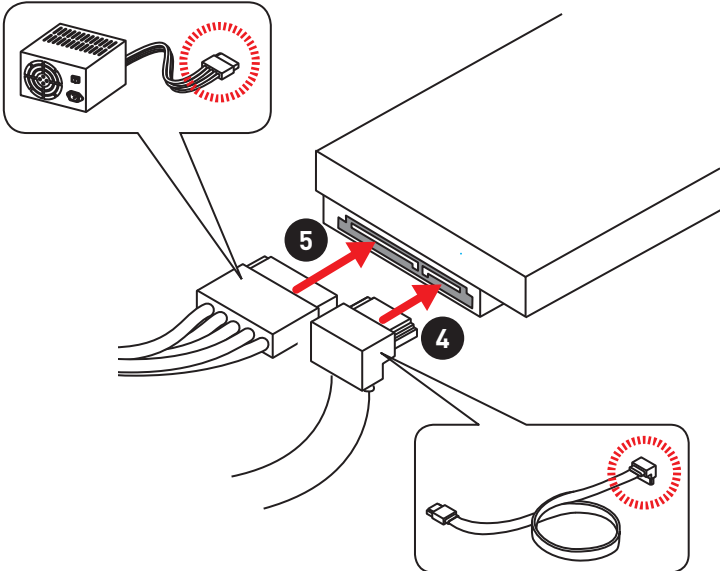
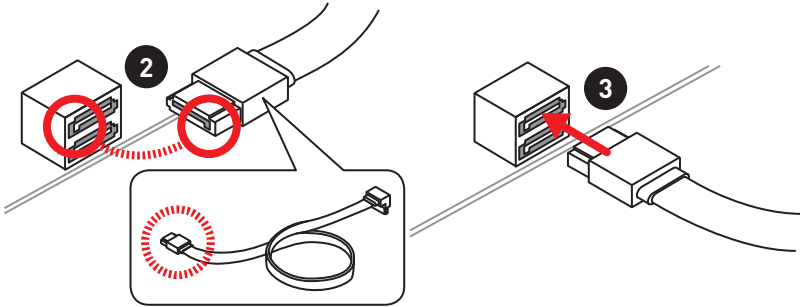
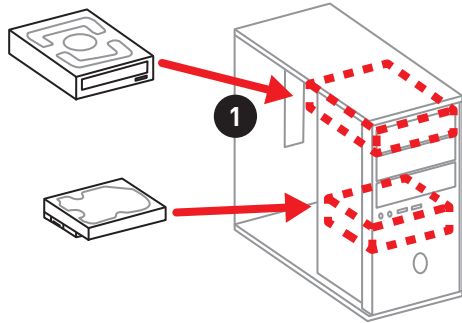
**Installing the Motherboard/ Installation des Motherboards/  
Installer la carte mère/ Установка материнской платы**



# Installing SATA Drives/ Installation der SATA-Laufwerke/ Installer le disque dur SATA/ Установка дисков SATA



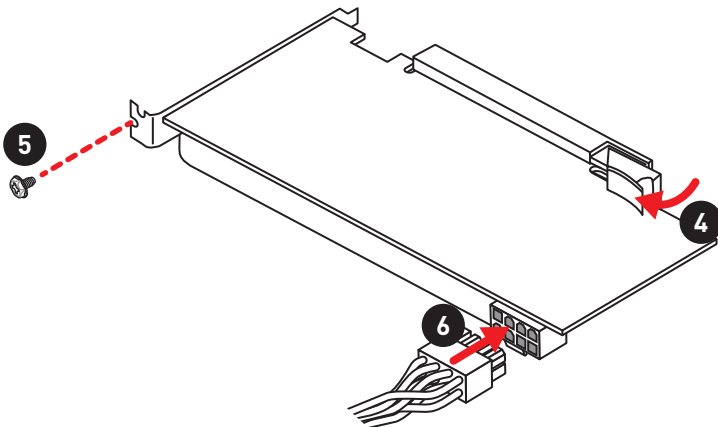
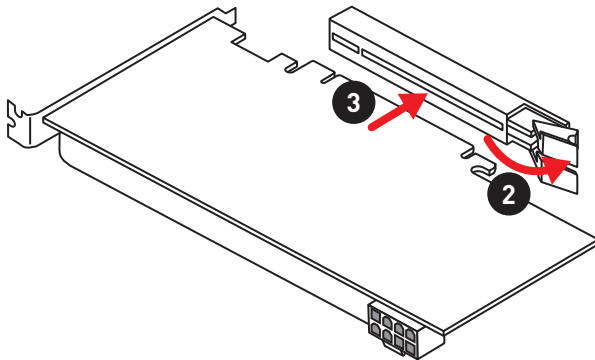
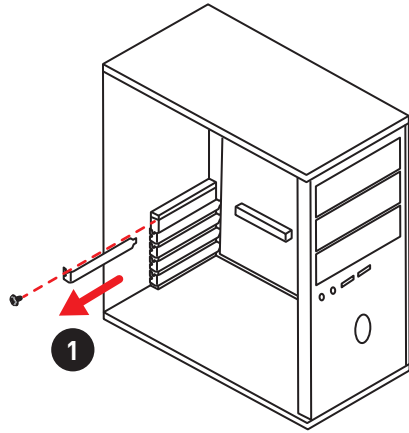
<http://youtu.be/RZsMpqxythc>



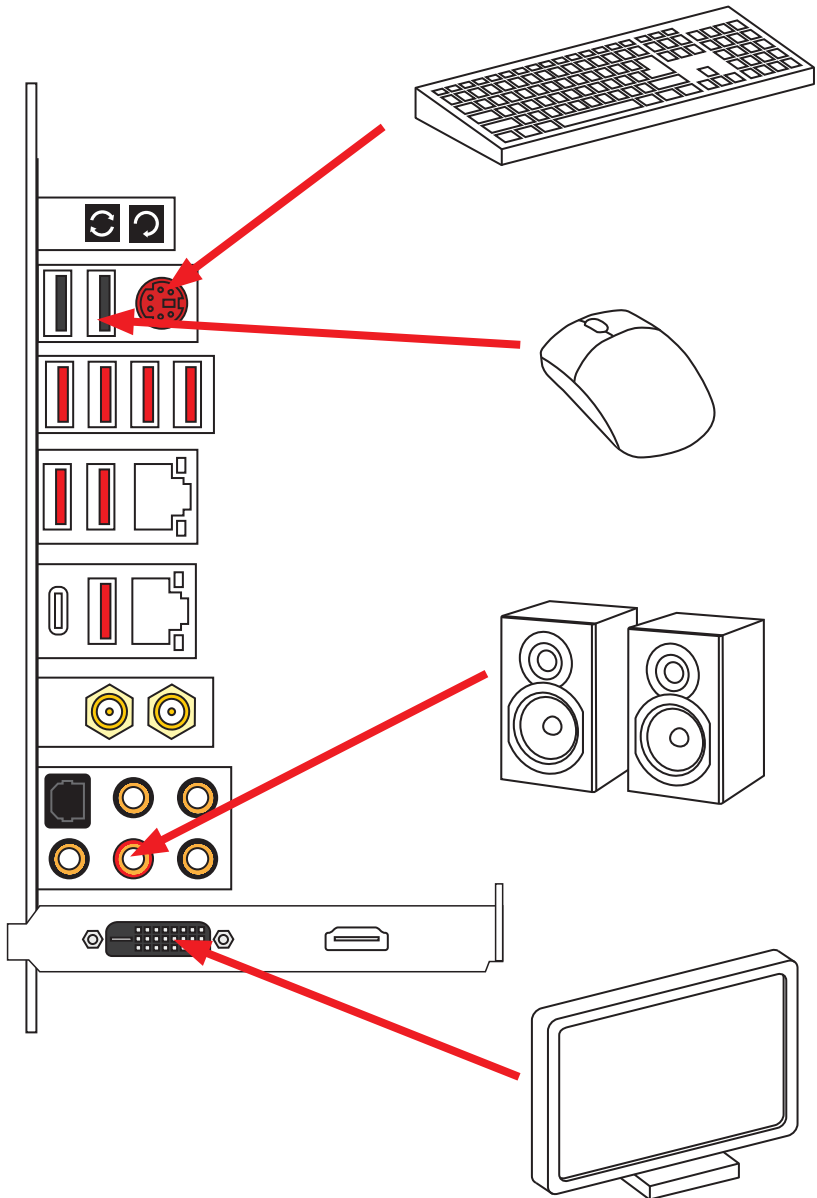
# Installing a Graphics Card/ Einbau der Grafikkarte/ Installer une carte graphique/ Установка дискретной видеокарты



[http://youtu.be/mG0GZpr9w\\_A](http://youtu.be/mG0GZpr9w_A)



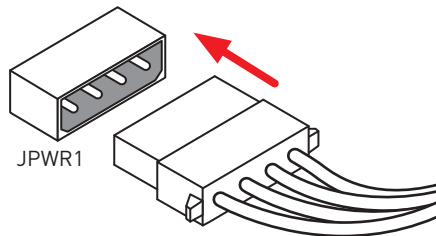
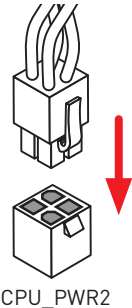
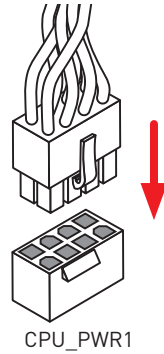
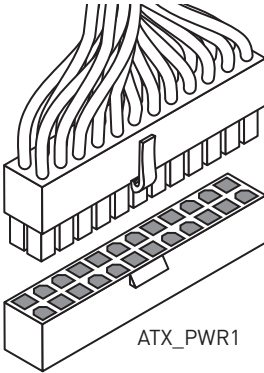
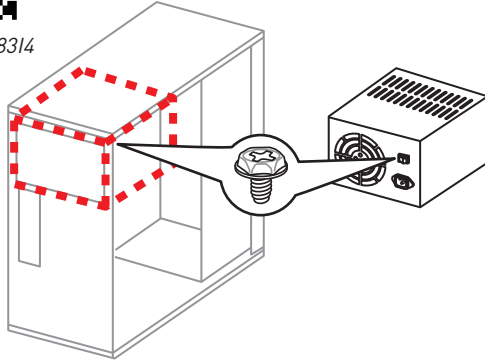
**Connecting Peripheral Devices/ Peripheriegeräte/  
Connecter un périphérique anschliessen/ Подключение  
периферийных устройств**



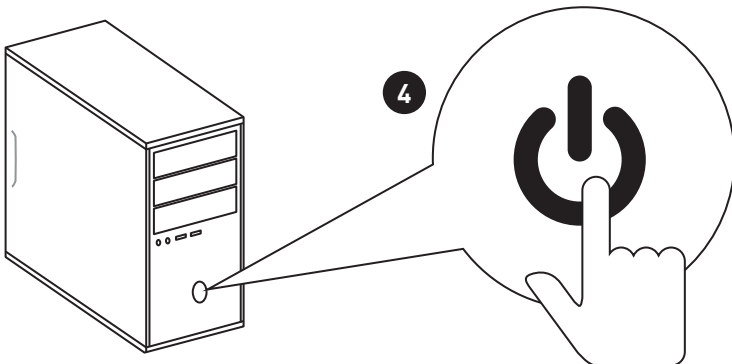
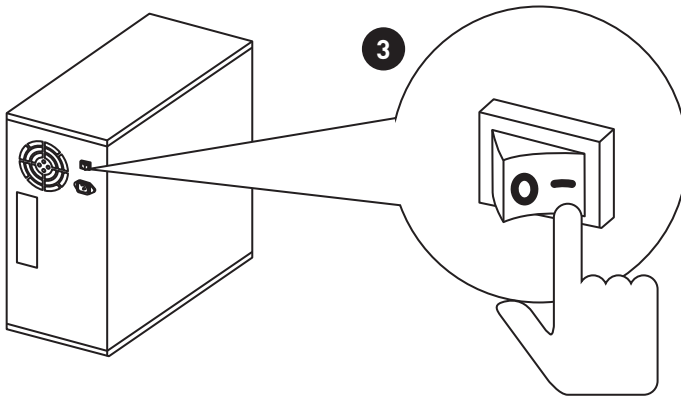
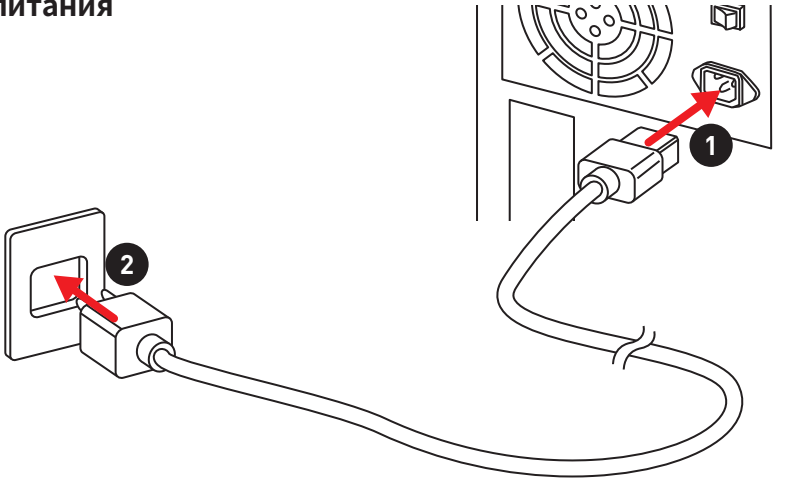
# Connecting the Power Connectors/ Stromanschlüsse anschliessen/ Connecter les câbles du module d' alimentation/ Подключение разъемов питания



[http://youtu.be/gkDYyR\\_83I4](http://youtu.be/gkDYyR_83I4)



**Power On/ Einschalten/ Mettre sous-tension/ Включение  
питания**



# Contents

<b>Safety Information</b> .....	<b>3</b>
<b>Specifications</b> .....	<b>4</b>
<b>Rear I/O Panel</b> .....	<b>11</b>
LAN Port LED Status Table.....	11
Audio Ports Configuration .....	11
Realtek HD Audio Manager .....	12
Installing Antennas.....	14
<b>Overview of Components</b> .....	<b>15</b>
CPU Socket .....	16
DIMM Slots.....	17
PCI_E1~6: PCIe Expansion Slots.....	20
PCIe and M2_3 slots bandwidth table .....	20
U2_1: U.2 Connector.....	23
M2_1~3: M.2 Slots (Key M) .....	24
Installing the M.2 Xpander-Z .....	26
SATA1~10: SATA 6Gb/s Connectors .....	27
JFP1, JFP2: Front Panel Connectors .....	28
OC1: GAME BOOST Knob .....	29
OC_RT1: OC Retry Jumper .....	30
OC_FS1: OC Force Enter BIOS Jumper.....	30
JSLOW1: Slow Mode Booting Jumper .....	30
CPU_PWR1~2, ATX_PWR1, JPWR1: Power Connectors.....	31
JUSB1~2: USB 2.0 Connectors.....	32
JUSB3~4: USB 3.1 Gen1 Connectors .....	32
JUSB5: USB 3.1 Gen2 Type-C Connector.....	33
CPU_FAN1, PUMP_FAN1, SYS_FAN1~4, EXS_FAN1~4: Fan Connectors.....	34
T_SEN1: Thermal Sensor Connector.....	34
JAUD1: Front Audio Connector .....	35
JCI1: Chassis Intrusion Connector.....	35
JTPM1: TPM Module Connector.....	36
JBAT1: Clear CMOS (Reset BIOS) Jumper.....	36
BIOS_SW1: Multi-BIOS Switch .....	37
POWER1, RESET1: Power Button, Reset Button .....	38
Plus, Minus buttons: BCLK-Ratio buttons.....	38
VRAID1: Virtual RAID on CPU Connector .....	39
JLED1: RGB LED connector .....	39
<b>Onboard LEDs</b> .....	<b>40</b>
EZ Debug LED.....	40

PCIe x16 slot LEDs.....	40
DIMM LEDs .....	40
XMP LED .....	40
Fan LEDs.....	41
Fan Speed Indicators.....	41
Multi-BIOS LEDs.....	41
JPWRLED1: LED light demonstration power input connector .....	41
Debug Code LED .....	42
Hexadecimal Character Table .....	42
Boot Phases.....	42
Debug Code LED Table .....	42
ACPI States Codes .....	44
CPU Temperature .....	44
Updating LED Firmware .....	45
<b>BIOS Setup .....</b>	<b>46</b>
Entering BIOS Setup .....	46
Resetting BIOS.....	47
Updating BIOS.....	47
EZ Mode .....	49
Advanced Mode .....	51
OC Menu.....	52
<b>Software Description.....</b>	<b>59</b>
Installing Windows® 10.....	59
Installing Drivers .....	59
Installing Utilities .....	59

# Safety Information

- The components included in this package are prone to damage from electrostatic discharge (ESD). Please adhere to the following instructions to ensure successful computer assembly.
- Ensure that all components are securely connected. Loose connections may cause the computer to not recognize a component or fail to start.
- Hold the motherboard by the edges to avoid touching sensitive components.
- It is recommended to wear an electrostatic discharge (ESD) wrist strap when handling the motherboard to prevent electrostatic damage. If an ESD wrist strap is not available, discharge yourself of static electricity by touching another metal object before handling the motherboard.
- Store the motherboard in an electrostatic shielding container or on an anti-static pad whenever the motherboard is not installed.
- Before turning on the computer, ensure that there are no loose screws or metal components on the motherboard or anywhere within the computer case.
- Do not boot the computer before installation is completed. This could cause permanent damage to the components as well as injury to the user.
- If you need help during any installation step, please consult a certified computer technician.
- Always turn off the power supply and unplug the power cord from the power outlet before installing or removing any computer component.
- Keep this user guide for future reference.
- Keep this motherboard away from humidity.
- Make sure that your electrical outlet provides the same voltage as is indicated on the PSU, before connecting the PSU to the electrical outlet.
- Place the power cord such a way that people can not step on it. Do not place anything over the power cord.
- All cautions and warnings on the motherboard should be noted.
- If any of the following situations arises, get the motherboard checked by service personnel:
  - Liquid has penetrated into the computer.
  - The motherboard has been exposed to moisture.
  - The motherboard does not work well or you can not get it work according to user guide.
  - The motherboard has been dropped and damaged.
  - The motherboard has obvious sign of breakage.
- Do not leave this motherboard in an environment above 60°C (140°F), it may damage the motherboard.

# Specifications

<b>CPU</b>	Supports Intel® Core™ X-Series Processor Family for LGA2066 Socket
<b>Chipset</b>	Intel® X299 Chipset
<b>Memory</b>	<ul style="list-style-type: none"> <li>• 8x DDR4 memory slots, support up to 128GB*</li> <li>• Quad channel memory architecture with the CPU that supports up to 4-channels DDR4**             <ul style="list-style-type: none"> <li>▪ X-series processor support DDR4 4133(OC)/ 4000(OC)/ 3866(OC)/ 3800(OC)/ 3733(OC)/ 3600(OC)/ 3466(OC)/ 3400(OC)/ 3333(OC)/ 3200(OC)/ 3000(OC)/ 2933(OC)/ 2800(OC)/ 2667/ 2400/ 2133 MHz*</li> </ul> </li> <li>• Dual channel memory architecture with the CPU that supports up to 2-channels DDR4**             <ul style="list-style-type: none"> <li>▪ X-series processor support DDR4 4500(OC)/ 4400(OC)/ 4333(OC)/ 4266(OC)/ 4200(OC)/ 4133(OC)/ 4000(OC)/ 3866(OC)/ 3800(OC)/ 3733(OC)/ 3600(OC)/ 3466(OC)/ 3400(OC)/ 3333(OC)/ 3200(OC)/ 3000(OC)/ 2933(OC)/ 2800(OC)/ 2667/ 2400/ 2133 MHz*</li> </ul> </li> <li>• Supports Intel® Extreme Memory Profile (XMP)</li> </ul> <p>* For the latest information about memory, please visit <a href="http://www.msi.com">http://www.msi.com</a>  ** Please refer the DIMM Slots section for more details.</p>
<b>Expansion Slots</b>	<ul style="list-style-type: none"> <li>• 4x PCIe 3.0 x16 slots             <ul style="list-style-type: none"> <li>▪ Support x16/x0/x16/x8, x8/x8/x16/x8 mode with the 44-lane CPU.*</li> <li>▪ Support x16/x0/x8/x4, x8/x8/x8/x4 mode with the 28-lane CPU.*</li> <li>▪ Support x8/x0/x4/x4 mode with the 16-lane CPU.*</li> </ul> </li> <li>• 1x PCIe 3.0 x1 slot</li> </ul> <p>* Please refer to page 20 for PCIe 3.0 bandwidth table.</p>
<b>Multi-GPU</b>	<ul style="list-style-type: none"> <li>• Supports NVIDIA® SLI™ Technology</li> <li>• Supports AMD® CrossFire™ Technology</li> </ul>
<b>LAN</b>	<ul style="list-style-type: none"> <li>• 1x Intel I219-V Gigabit LAN controller</li> <li>• 1x Intel I211 Gigabit LAN controller</li> </ul>
<b>Wireless LAN &amp; Bluetooth®</b>	<p>Intel® Dual Band Wireless-AC 8265 module</p> <ul style="list-style-type: none"> <li>• The Wireless module is pre-install in the M2_3 (Key-E) slot.</li> <li>• Supports Wi-Fi 802.11 a/b/g/n/ac, dual band (2.4GHz, 5GHz) up to 867 Mbps speed.</li> <li>• Supports Dual Mode Bluetooth® 2.1, 2.1+EDR, 3.0, 4.0, BLE, 4.2</li> </ul>

Continued from previous page

<b>Storage</b>	<p>Intel® X299 Chipset</p> <ul style="list-style-type: none"><li>• 10x SATA 6Gb/s ports*</li><li>• 3x M.2 slots (Key M)*<ul style="list-style-type: none"><li>▪ M2_1, M2_2 slots support 2242/ 2260 /2280/ 22110 storage devices<ul style="list-style-type: none"><li>• Supports up to PCIe 3.0 x4 and SATA 6Gb/s</li></ul></li><li>▪ M2_3 slot supports 2242/ 2260 /2280 storage devices<ul style="list-style-type: none"><li>• Supports up to PCIe 3.0 x4</li></ul></li><li>▪ Intel® Optane™ Memory Ready for M2_1, M2_2 slots **</li></ul></li><li>• 1x U.2 port *<ul style="list-style-type: none"><li>▪ Supports PCIe 3.0 x4 NVMe storage</li></ul></li><li>• Supports Intel® Smart Response Technology***</li></ul> <p>* M.2 slots and SATA ports share the same bandwidth. Please refer to page 27 for M.2 &amp; SATA combination table.</p> <p>** Please refer to the Intel® Optane™ Memory Configuration Guide on MSI website.</p> <p>***The functions will be supported depend on the CPU.</p>
<b>RAID</b>	<p>Intel® X299 Chipset</p> <ul style="list-style-type: none"><li>• Supports RAID 0, RAID1, RAID 5 and RAID 10 for SATA storage devices</li><li>• Supports RAID 0 and RAID1 for M.2 PCIe storage devices*</li></ul> <p>* M.2 PCIe RAID volume can be created with M.2 GENIE.</p>
<b>USB</b>	<ul style="list-style-type: none"><li>• ASMedia® ASM3142 Chipset<ul style="list-style-type: none"><li>▪ 3x USB 3.1 Gen2 (SuperSpeed USB 10Gbps) ports (1 Type-A port and 1 Type-C port on the back panel, 1 Type-C port available through the internal USB connector)</li></ul></li><li>• ASMedia® ASM1074 Chipset<ul style="list-style-type: none"><li>▪ 6x USB 3.1 Gen1 (SuperSpeed USB) ports on the back panel</li></ul></li><li>• Intel® X299 Chipset<ul style="list-style-type: none"><li>▪ 4x USB 3.1 Gen1 (SuperSpeed USB) ports available through the internal USB connectors</li><li>▪ 6x USB 2.0 (High-speed USB) ports (2 Type-A ports on the back panel, 4 ports available through the internal USB connectors)</li></ul></li></ul>

Continued on next page

Continued from previous page

<b>Back Panel Connectors</b>	<ul style="list-style-type: none"><li>• 1x Clear CMOS button</li><li>• 1x Flash BIOS Button</li><li>• 1x PS/2 keyboard/ mouse combo port</li><li>• 2x USB 2.0 Type-A ports<ul style="list-style-type: none"><li>▪ 1x Flash BIOS port</li></ul></li><li>• 6x USB 3.1 Gen1 Type-A ports</li><li>• 2x LAN (RJ45) ports</li><li>• 1x USB 3.1 Gen2 Type-A port</li><li>• 1x USB 3.1 Gen2 Type-C port</li><li>• 2x WiFi antenna connectors</li><li>• 5x OFC audio jacks</li><li>• 1x Optical S/PDIF OUT connector</li></ul>
<b>Internal Connectors</b>	<ul style="list-style-type: none"><li>• 1x 24-pin ATX main power connector</li><li>• 1x 8-pin ATX 12V power connector</li><li>• 1x 4-pin ATX 12V power connector</li><li>• 1x flat 4-pin ATX 12V power connector*</li><li>• 10x SATA 6Gb/s connectors</li><li>• 2x USB 2.0 connectors (supports additional 4 USB 2.0 ports)</li><li>• 2x USB 3.1 Gen1 connectors (supports additional 4 USB 3.1 Gen1 ports)</li><li>• 1x USB 3.1 Gen2 Type-C port</li><li>• 1x 4-pin CPU fan connector</li><li>• 1x 4-pin Water Pump connector</li><li>• 4x 4-pin system fan connectors</li><li>• 4x 4-pin extend fan connectors</li><li>• 2x Front panel connectors</li><li>• 1x Front panel audio connector</li><li>• 1x RGB LED connector</li><li>• 1x TPM module connector</li><li>• 1x Virtual RAID on CPU connector</li><li>• 1x 2-pin Thermal Sensors connector</li></ul> <p>* Provides additional power to PCIe x16 slots</p>

Continued on next page

Continued from previous page

<b>Internal Buttons</b>	<ul style="list-style-type: none"><li>• 1x GAME BOOST knob</li><li>• 1x Power button</li><li>• 1x Reset button</li><li>• 1x BCLK+/ Ratio+ button</li><li>• 1x BCLK-/ Ratio- button</li></ul>
<b>Switches</b>	<ul style="list-style-type: none"><li>• 1x Multi-BIOS switch</li></ul>
<b>Jumper</b>	<ul style="list-style-type: none"><li>• 1x Clear CMOS jumper</li><li>• 1x OC retry connector</li><li>• 1x OC force enter BIOS connector</li><li>• 1x Chassis Intrusion connector</li><li>• 1x Slow mode connector</li></ul>
<b>Debug LED</b>	<ul style="list-style-type: none"><li>• 1x 2-Digit Debug Code LED</li></ul>
<b>Audio</b>	<ul style="list-style-type: none"><li>• Realtek® ALC1220 Codec</li><li>• 7.1-Channel High Definition Audio</li><li>• Supports S/PDIF output</li></ul>
<b>I/O Controller</b>	NUVOTON NCT6795 Controller Chip
<b>Hardware Monitor</b>	<ul style="list-style-type: none"><li>• CPU/System temperature detection</li><li>• CPU/System fan speed detection</li><li>• CPU/System fan speed control</li></ul>
<b>Form Factor</b>	<ul style="list-style-type: none"><li>• EATX Form Factor</li><li>• 12 in. x 10.7 in. (30.5 cm x 27.2 cm)</li></ul>
<b>BIOS Features</b>	<ul style="list-style-type: none"><li>• 2x 128 Mb flash</li><li>• UEFI AMI BIOS</li><li>• ACPI 6.0, SM BIOS 3.0</li><li>• Multi-language</li></ul>

Continued on next page

Continued from previous page

**Software**

- Drivers
- APP MANAGER
- COMMAND CENTER
- LIVE UPDATE 6
- SMART TOOL
- DRAGON EYE
- GAMING APP
- X-BOOST
- MYSTIC LIGHT
- RAMDISK
- GAMING LAN MANAGER
- DPC LATENCY TUNER
- FAST BOOST
- SUPER CHARGER
- Nahimic Audio
- XSplit Gamecaster V2
- SteelSeriesEngine 3
- WtFast
- CPU-Z MSI GAMING
- Intel Extreme Tuning Utility
- Norton™ Internet Security Solution
- Google Chrome™ ,Google Toolbar, Google Drive
- TriDef® VR
- TriDef® SmartCam

Continued on next page

Continued from previous page

**Special Features**

- Audio
  - Audio Boost 4
  - Nahimic 2
- Network
  - GAMING LAN with Gaming LAN Manager
  - Dual LAN
  - Intel WiFi
- Storage
  - Turbo U.2
  - Triple Turbo M.2
- Fan
  - Pump Fan
  - Smart Fan Control
- LED
  - Mystic Light
  - Mystic Light Extension
  - Mystic light SYNC
  - EZ DEBUG LED
- Protection
  - DDR4 Steel Armor
  - M.2 Shield FROZR
  - M.2 Shield
  - Steel Backplate
  - PCI-E Steel Armor
  - U.2 Steel Armor
  - M.2 Steel Armor
  - VR Cover

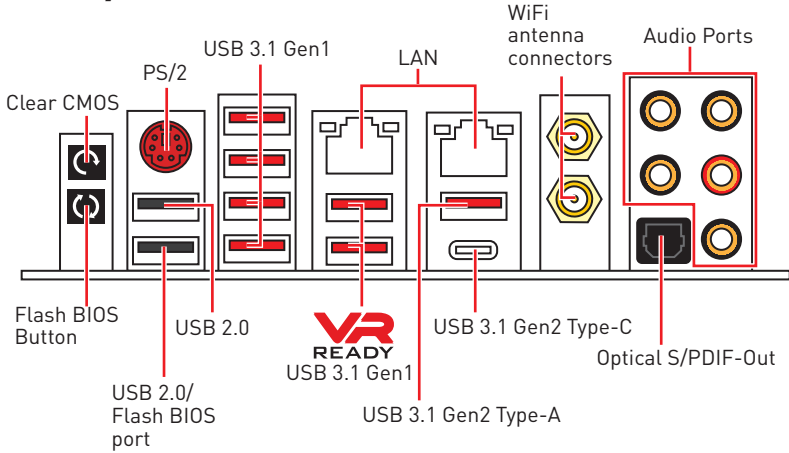
Continued on next page

Continued from previous page

## Special Features

- Performance
  - Multi GPU – SLI Technology
  - Multi GPU – CrossFire Technology
  - DDR4 Boost
  - GAME Boost
  - OC Engine
  - Lightning USB
  - Front Lightning USB
  - USB with Type A+C
- Stability
  - Military Class 6
  - 7000+ Quality Test
- VR
  - VR Boost
  - VR Ready
- Gamer Experience
  - GAMING HOTKEY
  - GAMING MOUSE Control
- BIOS
  - Click BIOS 5
  - Flash BIOS
  - Dual BIOS
- Certification
  - Quadro SLI Ready
  - Quadro Ready
  - GAMING Certified
  - SteelSeries Certified

# Rear I/O Panel



- **Clear CMOS button** - Power off your computer. Press and hold the Clear CMOS button for about 5-10 seconds to reset BIOS to default values.
- **Flash BIOS port/ button** - Please refer to page 48 for Updating BIOS with Flash BIOS Button.

## LAN Port LED Status Table

Link/ Activity LED			Speed LED	
Status	Description		Status	Description
Off	No link	Off	10 Mbps connection	
Yellow	Linked	Green	100 Mbps connection	
Blinking	Data activity	Orange	1 Gbps connection	

## Audio Ports Configuration

Audio Ports	Channel			
	2	4	6	8
Center/ Subwoofer Out			●	●
Rear Speaker Out		●	●	●
Line-In/ Side Speaker Out				●
Line-Out/ Front Speaker Out	●	●	●	●
Mic In				

(●: connected, **Blank**: empty)

# Realtek HD Audio Manager

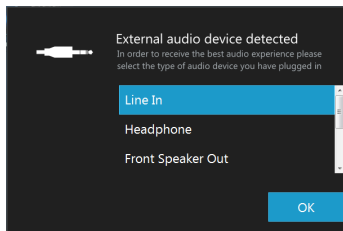
After installing the **Realtek HD Audio** driver, the **Realtek HD Audio Manager** icon will appear in the system tray. Double click on the icon to launch.



- **Device Selection** - allows you to select a audio output source to change the related options. The **check** sign indicates the devices as default.
- **Application Enhancement** - the array of options will provide you a complete guidance of anticipated sound effect for both output and input device.
- **Main Volume** - controls the volume or balance the right/left side of the speakers that you plugged in front or rear panel by adjust the bar.
- **Profiles** - toggles between profiles.
- **Advanced Settings** - provides the mechanism to deal with 2 independent audio streams.
- **Jack Status** - depicts all render and capture devices currently connected with your computer.
- **Connector Settings** - configures the connection settings.

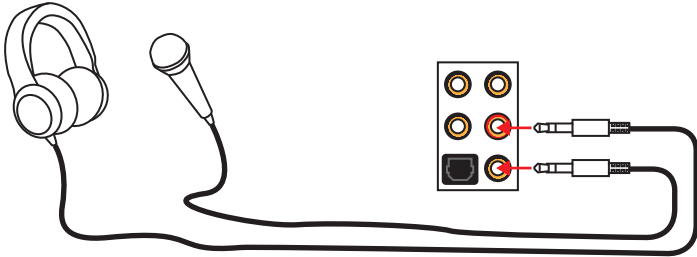
## Auto popup dialog

When you plug into a device at an audio jack, a dialogue window will pop up asking you which device is current connected.

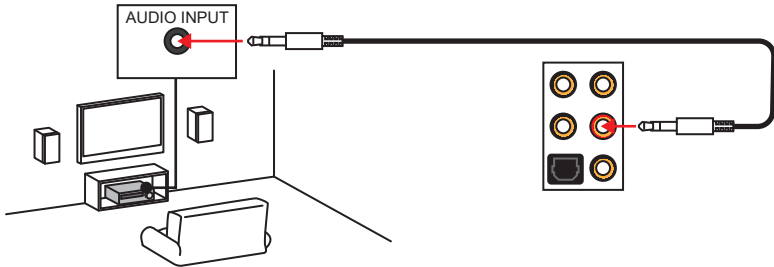


Each jack corresponds to its default setting as shown on the next page.

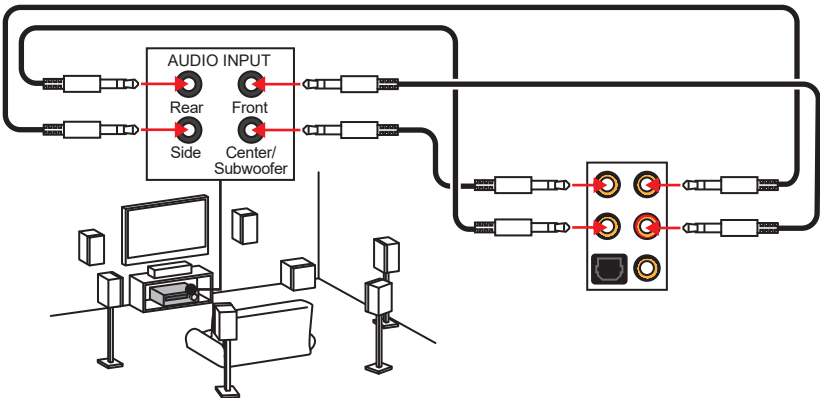
### Audio jacks to headphone and microphone diagram



### Audio jacks to stereo speakers diagram

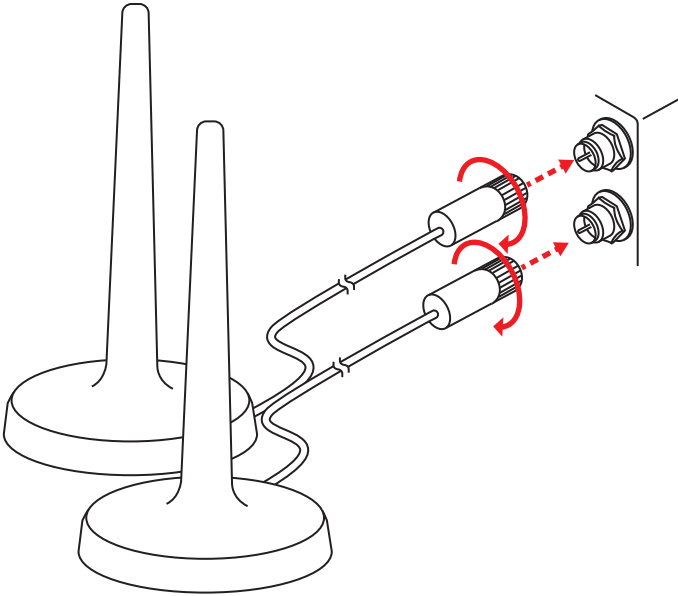


### Audio jacks to 7.1-channel speakers diagram

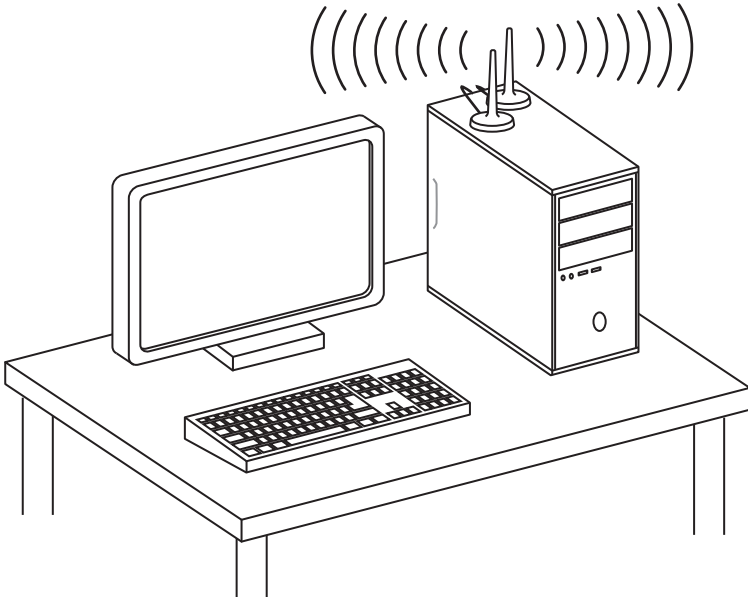


## Installing Antennas

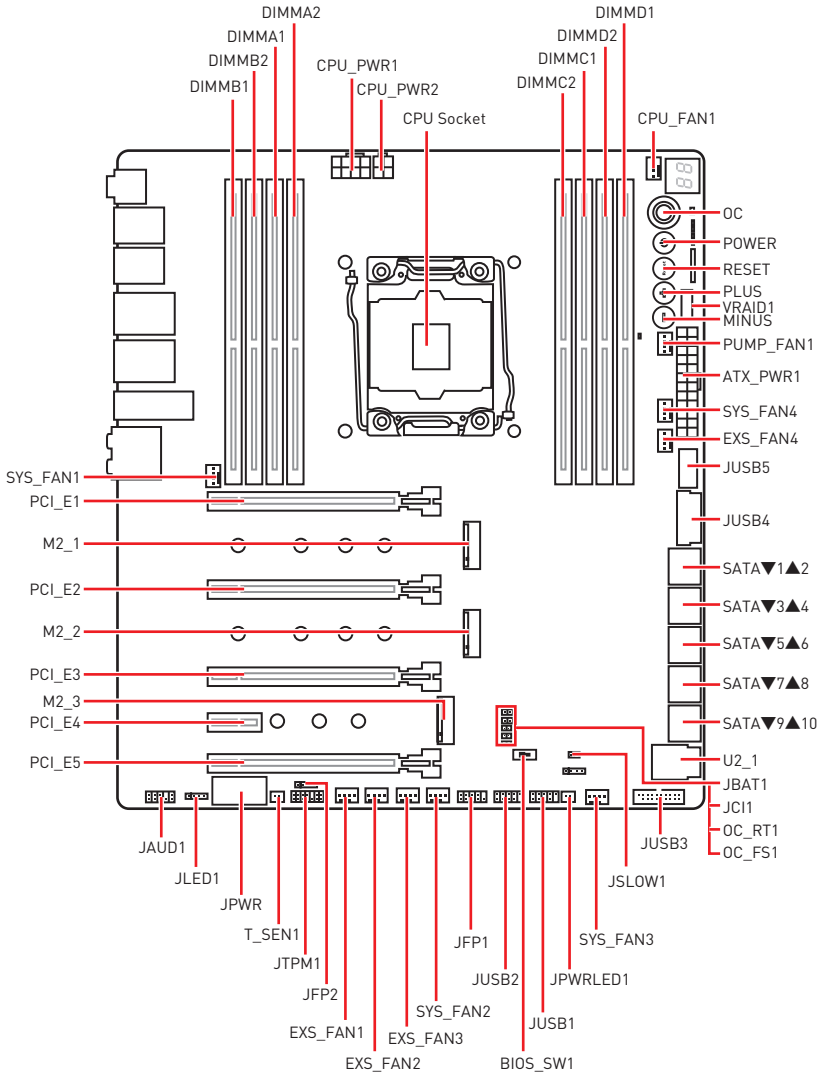
1. Screw the antennas tight to the WiFi antenna connectors as shown.



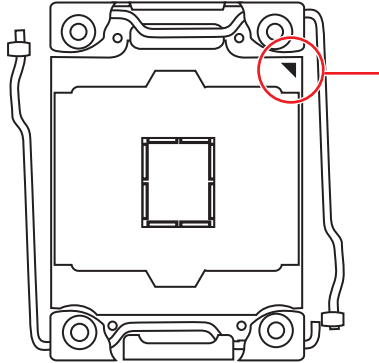
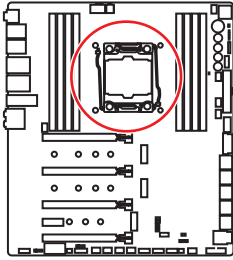
2. Place the antennas as high as possible.



# Overview of Components

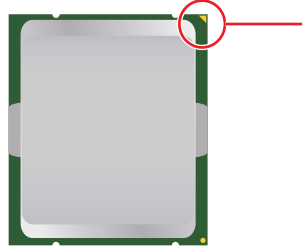


## CPU Socket



### Introduction to the LGA 2066 CPU

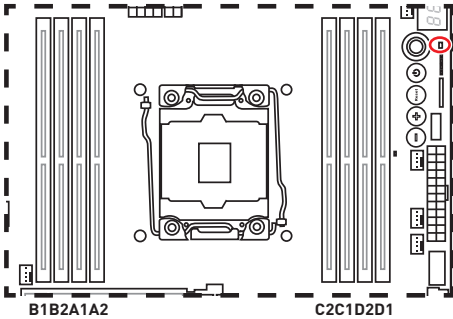
The surface of the LGA2066 CPU has four alignment keys and a yellow triangle to assist in correctly lining up the CPU for motherboard placement. The yellow triangle is the Pin 1 indicator.



#### **Important**

- Always unplug the power cord from the power outlet before installing or removing the CPU.
- Please retain the CPU protective cap after installing the processor. MSI will deal with Return Merchandise Authorization (RMA) requests if only the motherboard comes with the protective cap on the CPU socket.
- When installing a CPU, always remember to install a CPU heatsink. A CPU heatsink is necessary to prevent overheating and maintain system stability.
- Confirm that the CPU heatsink has formed a tight seal with the CPU before booting your system.
- Overheating can seriously damage the CPU and motherboard. Always make sure the cooling fans work properly to protect the CPU from overheating. Be sure to apply an even layer of thermal paste (or thermal tape) between the CPU and the heatsink to enhance heat dissipation.
- Whenever the CPU is not installed, always protect the CPU socket pins by covering the socket with the plastic cap.
- If you purchased a separate CPU and heatsink/ cooler, Please refer to the documentation in the heatsink/ cooler package for more details about installation.
- This motherboard is designed to support overclocking. Before attempting to overclock, please make sure that all other system components can tolerate overclocking. Any attempt to operate beyond product specifications is not recommended. MSI® does not guarantee the damages or risks caused by inadequate operation beyond product specifications.

## DIMM Slots



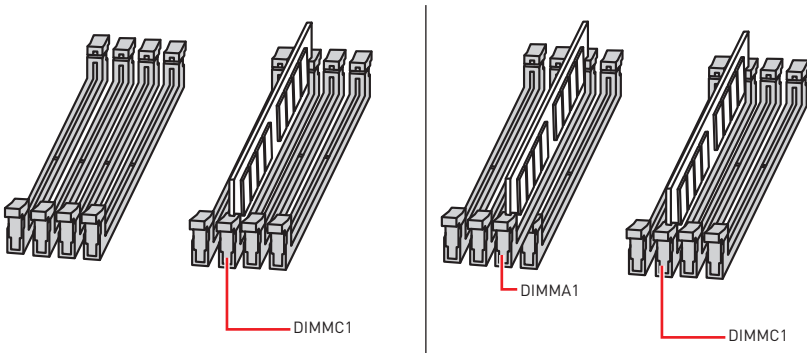
**S/K LED** : S/K LED indicates that the installed CPU supports either 4-channels or 2-channels memory architecture.

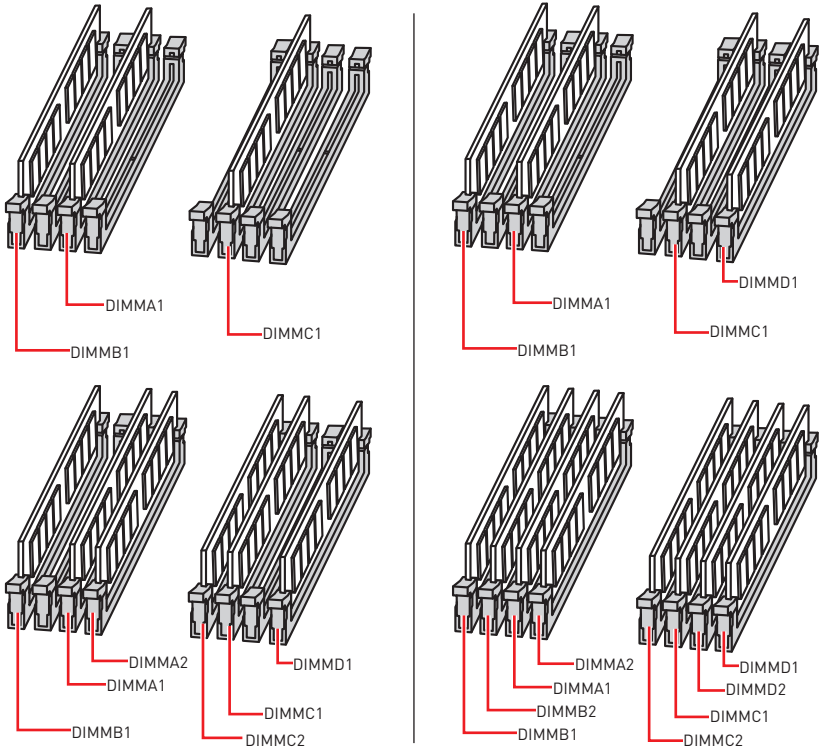
Red = 8 DIMMs support  
(4-channels architecture CPU)

White = 4 DIMMs support  
(2-channels architecture CPU)

## Memory module installation recommendation (4-Channels architecture CPU)

	B1	B2	A1	A2	Intel Core X-series CPU	C2	C1	D2	D1
1 DIMM					Supports 4-channels memory architecture		✓		
2 DIMMs			✓				✓		
3 DIMMs	✓		✓				✓		
4 DIMMs	✓		✓				✓		✓
5 DIMMs	✓		✓				✓	✓	✓
6 DIMMs	✓		✓	✓			✓	✓	✓
7 DIMMs	✓	✓	✓	✓			✓	✓	✓
8 DIMMs	✓	✓	✓	✓			✓	✓	✓





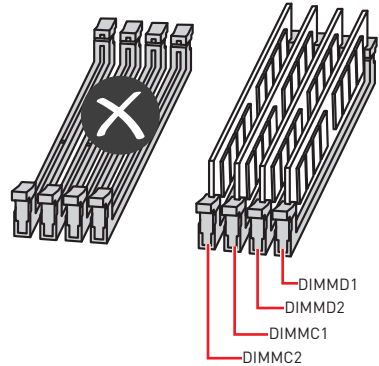
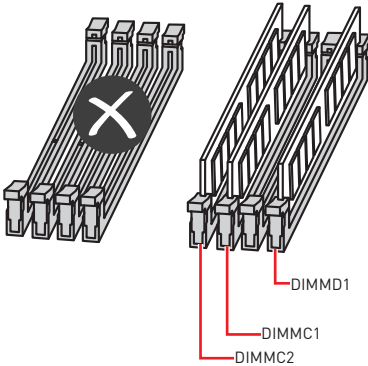
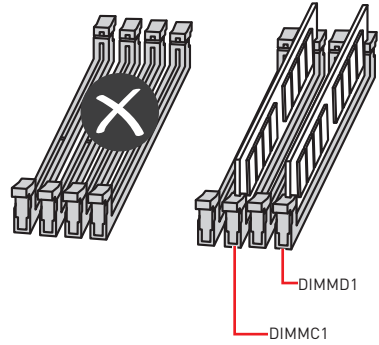
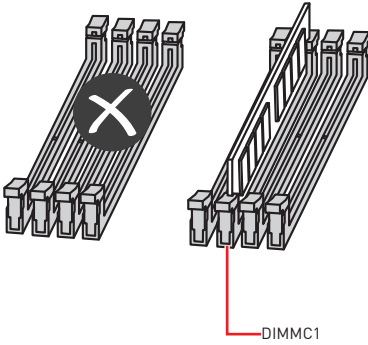
### Important

- Always insert a memory module in the **DIMMC1** slot first.
- To ensure system stability for Dual/ Triple/ Quad channel mode, memory modules must be of the same type, number and density. And for every channel, the odd number DIMM slot must be installed first.
- Due to chipset resource usage, the available capacity of memory will be a little less than the amount of installed.
- Based on Intel CPU specification, the Memory DIMM voltage below 1.35V is suggested to protect the CPU.
- Please note that the maximum capacity of addressable memory is 4GB or less for 32-bit Windows OS due to the memory address limitation. Therefore, we recommended that you to install 64-bit Windows OS if you want to install more than 4GB memory on the motherboard.
- It is recommended to use a more efficient memory cooling system for full DIMMs installation or overclocking.
- The stability and compatibility of installed memory modules depend on installed CPU and devices when overclocking.

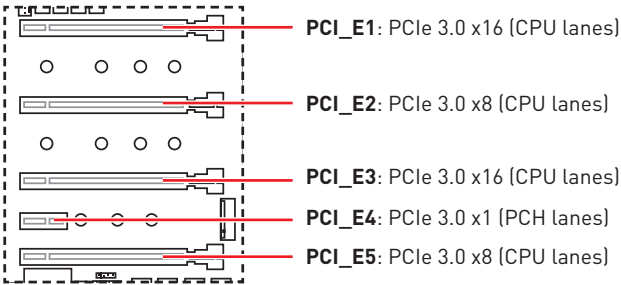
## Memory module installation recommendation (2-Channels architecture CPU)

	B1	B2	A1	A2	Intel Core X-series CPU	C2	C1	D2	D1
1 DIMM					Supports 2-channels memory architecture		✓		
2 DIMMs							✓		✓
3 DIMMs						✓	✓		✓
4 DIMMs						✓	✓	✓	✓

DIMMB1, B2, A1 and A2 are un-available



## PCI\_E1~6: PCIe Expansion Slots



## PCIe and M2\_3 slots bandwidth table

for 44-lane CPU

Graphics Card	Single	2-Way	3-Way*	3-Way	4-Way
PCI_E1	Ⓜ 3.0 x16	Ⓜ 3.0 x16	Ⓜ 3.0 x16	Ⓜ 3.0 x8	Ⓜ 3.0 x8
PCI_E2	3.0 x8	3.0 x8	—	Ⓜ 3.0 x8	Ⓜ 3.0 x8
PCI_E3	3.0 x16	Ⓜ 3.0 x16	Ⓜ 3.0 x16	Ⓜ 3.0 x16	Ⓜ 3.0 x16
PCI_E4	3.0 x1	3.0 x1	3.0 x1	3.0 x1	3.0 x1
PCI_E5	3.0 x8	3.0 x8	Ⓜ 3.0 x8	3.0 x8	Ⓜ 3.0 x8
M2_3	3.0 x4	3.0 x4	3.0 x4	3.0 x4	3.0 x4

(Ⓜ: graphics card slot, —: unavailable, \*: best combination)

for 28-lane CPU

Graphics Card	Single*	Single	2-Way*		2-Way		3-Way*	3-Way
PCI_E1	Ⓜ 3.0 x16	Ⓜ 3.0 x16	Ⓜ 3.0 x16		Ⓜ 3.0 x8		Ⓜ 3.0 x8	Ⓜ 3.0 x8
PCI_E2	3.0 x8	3.0 x8	—		3.0 x8		Ⓜ 3.0 x8	Ⓜ 3.0 x8
PCI_E3	3.0 x8	3.0 x8	Ⓜ 3.0 x8		Ⓜ 3.0 x8		Ⓜ 3.0 x8	Ⓜ 3.0 x8
PCI_E4	3.0 x1	3.0 x1	3.0 x1		3.0 x1		3.0 x1	3.0 x1
PCI_E5	3.0 x4	—	3.0 x4	—	3.0 x4	—	3.0 x4	—
M2_3	—	3.0 x4	—	3.0 x4	—	3.0 x4	—	3.0 x4

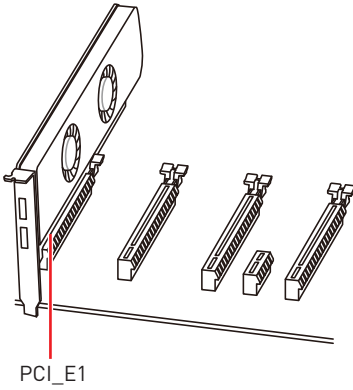
(Ⓜ: graphics card slot, —: unavailable, \*: best combination)

for 16-lane CPU

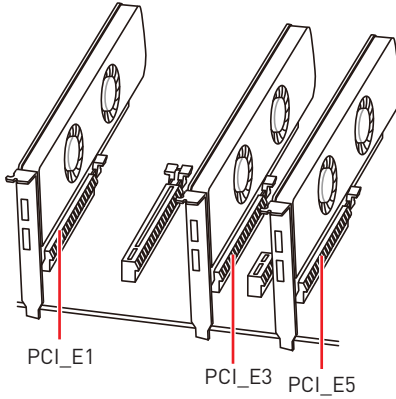
Graphics Card	Single*	Single
PCI_E1	Ⓜ 3.0 x8	Ⓜ 3.0 x8
PCI_E2	—	—
PCI_E3	3.0 x4	3.0 x4
PCI_E4	3.0 x1	3.0 x1
PCI_E5	3.0 x4	—
M2_3	—	3.0 x4

(Ⓜ: graphics card slot, —: unavailable, \*: best combination)

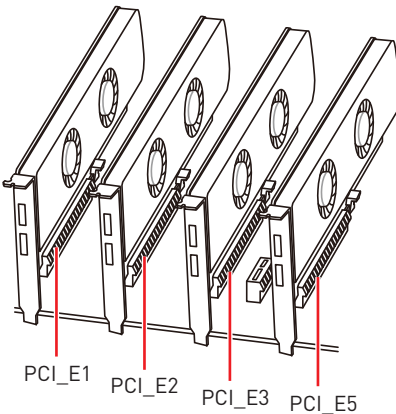
## Multiple graphics cards installation recommendation



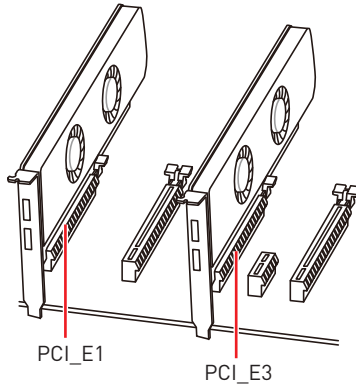
For 44-lane CPU



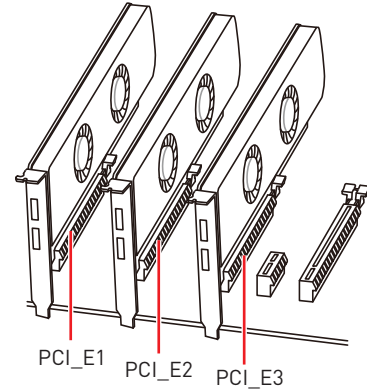
For 44-lane CPU



For 44-lane & 28-lane CPU



For 28-lane CPU



### Important

If you install a large and heavy graphics card, you need to use a tool such as **MSI Gaming Series Graphics Card Bolster** to support its weight and to prevent deformation of the slot.

## Important

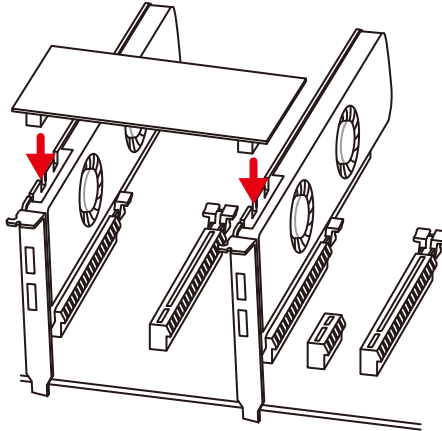
- For a single PCIe x16 expansion card installation with optimum performance, using the **PCI\_E1** slot is recommended.
- When adding or removing expansion cards, always turn off the power supply and unplug the power supply power cable from the power outlet. Read the expansion card's documentation to check for any necessary additional hardware or software changes.

## Installing SLI graphics cards

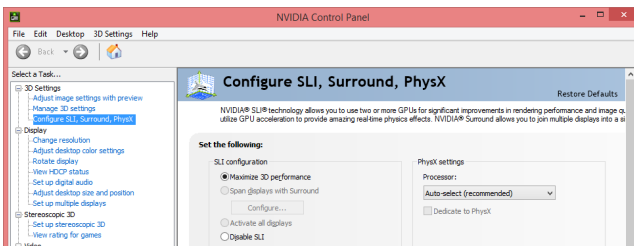
For power supply recommendations for SLI configurations, please refer to the user guide of your graphics card to make sure you meet all the system requirements.

To install SLI graphics cards:

1. Turn off your computer and disconnect the power cord, install two graphics cards into the **PCI\_E1** and **PCI\_E3** slots.
2. Connect the two cards together using the **SLI Bridge Connector**.

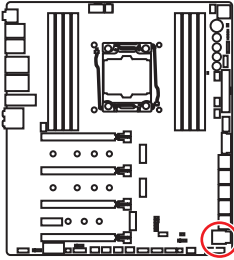


3. Connect all PCIe power connectors of the graphics cards.
4. Reconnect the power cord, power up the computer and install the drivers and software included in your graphics card package.
5. Right-click the Windows desktop and select **NVIDIA Control Panel** from the menu, click on **Configure SLI, Surround, PhysX** in the left task pane and select **Maximize 3D performance** in the SLI configuration menu, and then click **Apply**.



## U2\_1: U.2 Connector

This connector is a U.2 interface port. Each connector can connect to one PCIe 3.0 x4 NVMe storage device.

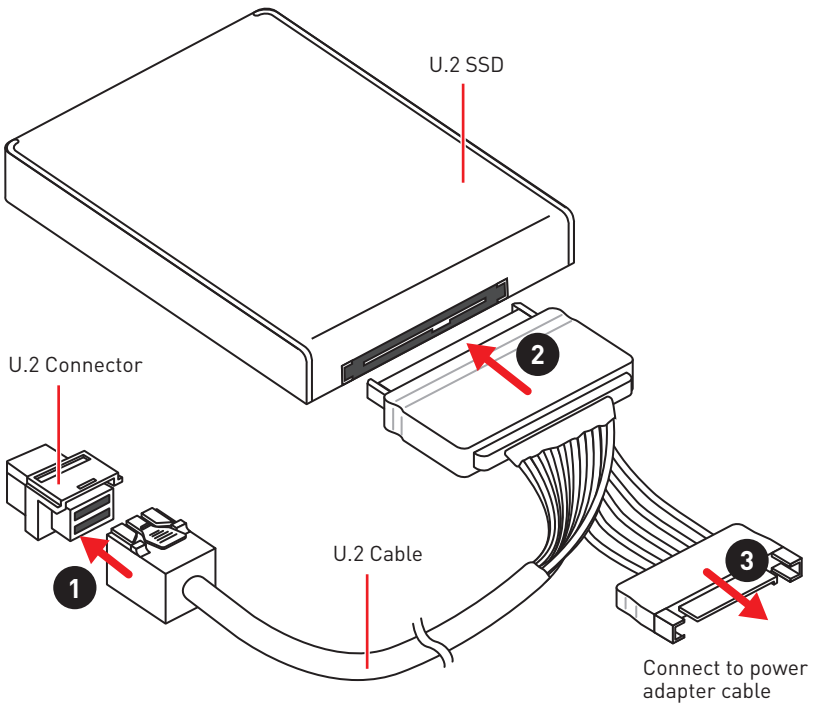


### Video Demonstration

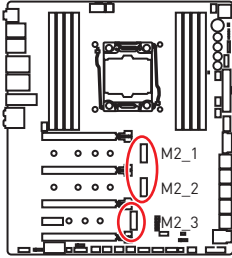
Watch the video to learn how to Install U.2 SSD. <http://youtu.be/KgFvKDxymvw>

### Installing U.2 SSD

1. Connect the U.2 cable to the U.2 connector on the motherboard.
2. Connect the U.2 cable to the U.2 SSD.
3. Connect the U.2 cable to power adapter cable.



## M2\_1~3: M.2 Slots (Key M)



### **Important**

- Intel® RST only supports PCIe M.2 SSD with UEFI ROM.
- Intel® Optane™ Memory Ready for M2\_1, M2\_2 slots.
- M2\_3 slot only supports PCIe 3.0 interface.



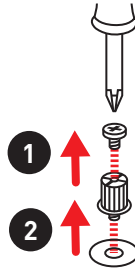
### **Video Demonstration**

Watch the video to learn how to Install M.2 module.

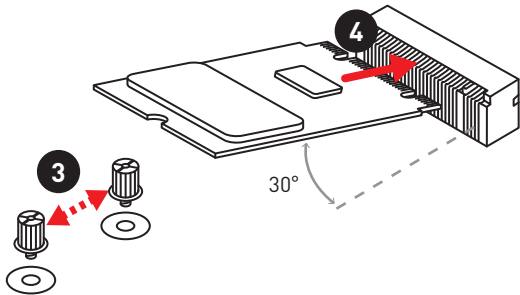
<http://youtu.be/JCTFABytrYA>

## Installing M.2 module

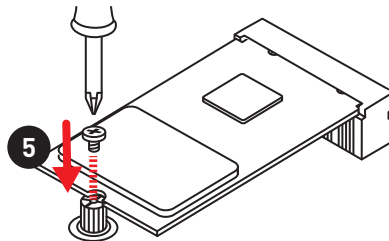
1. Remove the screw from the base screw.
2. Remove the base screw.



3. Tighten the base screw into the hole of the distance to the M.2 slot as the length your M.2 module.
4. Insert your M.2 module into the M.2 slot at a 30-degree angle.



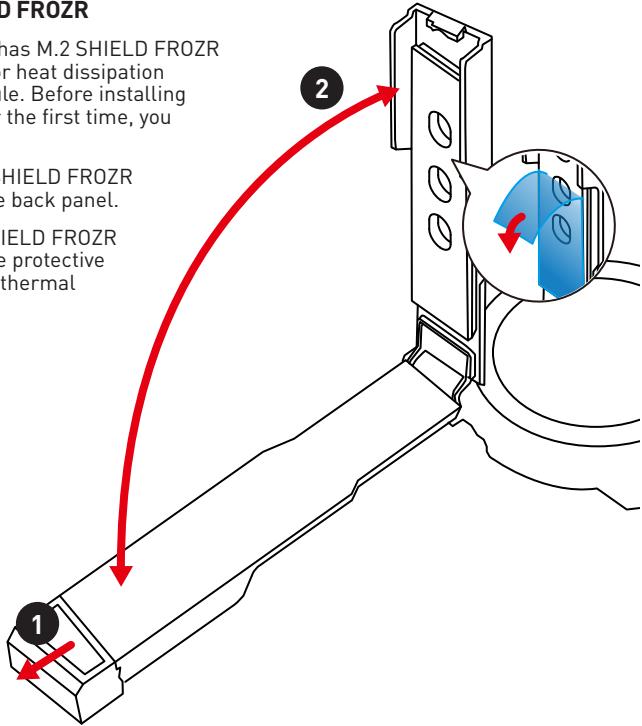
5. Put the screw in the notch on the trailing edge of your M.2 module and tighten it into the base screw.



## Using M.2 SHIELD FROZR

This motherboard has M.2 SHIELD FROZR on the M2\_1 slot for heat dissipation from the M.2 module. Before installing the M.2 module for the first time, you need to:

1. Slide the M.2 SHIELD FROZR lock toward the back panel.
2. Lift the M.2 SHIELD FROZR and remove the protective films from the thermal pad.

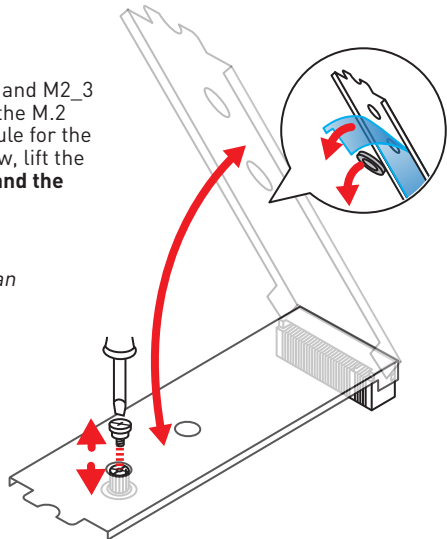


## Using M.2 shield

We provide the M.2 shield on the M2\_2 and M2\_3 slots to help dissipate heat away from the M.2 module. Before installing the M.2 module for the first time, you need to remove the screw, lift the cover and **remove the protective film and the round rubber** from the thermal pad.

 **Important**

*If you don't need the M.2 shield, you can remove it.*

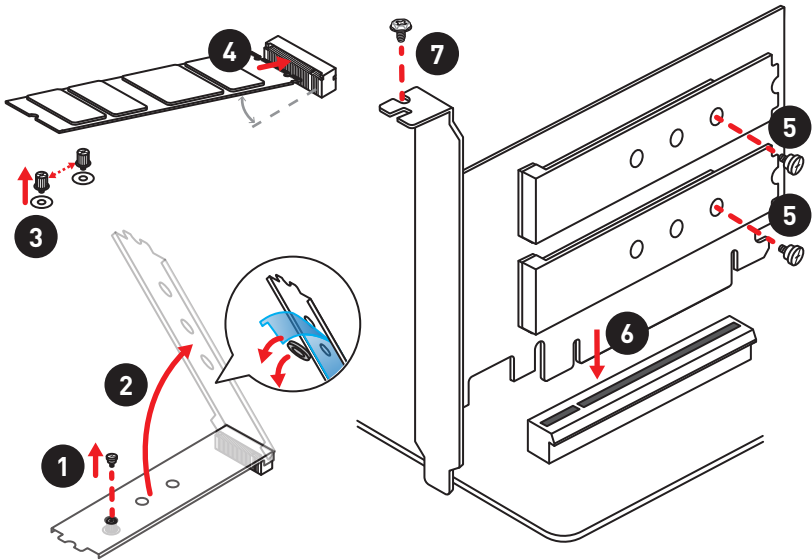


## Installing the M.2 Xpander-Z

The M.2 Xpander-Z card provide two M.2 Key-M slots.

To install the M.2 Xpander-Z card:

1. Remove the screws from the mounting poles.
2. Lift the M.2 Shields and remove the protective films and the round rubbers from the thermal pads.
3. Move the mounting poles position according to your M.2 SSDs length.
4. Insert your M.2 SSDs into the M.2 slots at a 30-degree angle.
5. Push the M.2 SSDs and the M.2 Shields down and secure them onto the mounting poles.
6. Insert the M.2 Xpander-Z into the PCIe slot.
  - For 44-lane CPU - Insert it into the PCI\_E3 or the PCI\_E5 slot.
  - For 28-lane CPU - Insert it into the PCI\_E2 or the PCI\_E3 slot.
  - 16-lane CPU does not support M.2 Xpander-Z.
7. Use the screw to secure the M.2 Xpander-Z.

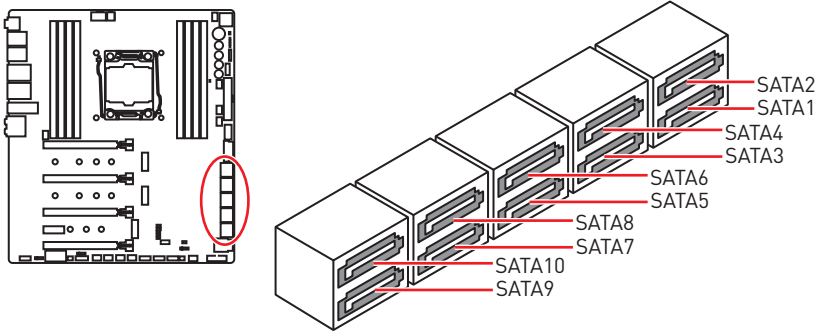


### **Important**

- The M.2 Xpander-Z card does not work with the 16-lane CPU.
- After un-installing this card, please restore the **M.2 Xpander-Z** to **Disabled** in BIOS.

## SATA1~10: SATA 6Gb/s Connectors

These connectors are SATA 6Gb/s interface ports. Each connector can connect to one SATA device.



### Important

- Please do not fold the SATA cable at a 90-degree angle. Data loss may result during transmission otherwise.
- SATA cables have identical plugs on either sides of the cable. However, it is recommended that the flat connector be connected to the motherboard for space saving purposes.

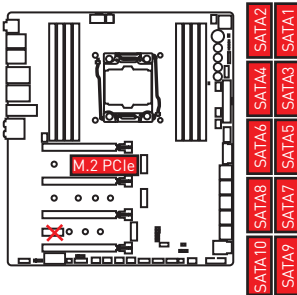
## M2\_1, M2\_2, SATA and PCI\_E4 combination table

Slot	Combination											
M2_1	PCIe	PCIe	PCIe	PCIe	PCIe	PCIe	SATA	SATA	SATA	SATA	SATA	SATA
SATA1	✓	✓	✓	✓	✓	✓	—	—	—	—	—	—
SATA2	✓	✓	✓	✓	✓	✓	✓	✓	✓	✓	✓	✓
SATA3	✓	✓	✓	✓	✓	✓	✓	✓	✓	✓	✓	✓
SATA4	✓	✓	✓	✓	✓	✓	✓	✓	✓	✓	✓	✓
M2_2	—	—	SATA	SATA	PCIe	PCIe	—	—	SATA	SATA	PCIe	PCIe
SATA5	✓	✓	—	—	—	—	✓	✓	—	—	—	—
SATA6	✓	✓	✓	✓	—	—	✓	✓	✓	✓	—	—
SATA7	✓	✓	✓	✓	—	—	✓	✓	✓	✓	—	—
SATA8	✓	✓	✓	✓	—	—	✓	✓	✓	✓	—	—
PCI_E4	—	PCIe	—	PCIe	—	PCIe	—	PCIe	—	PCIe	—	PCIe
SATA9	✓	—	✓	—	✓	—	✓	—	✓	—	✓	—
SATA10	✓	—	✓	—	✓	—	✓	—	✓	—	✓	—

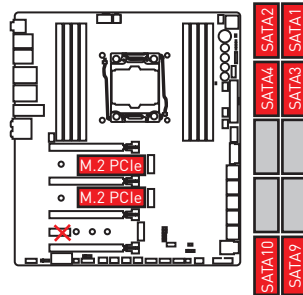
(SATA: M.2 SATA SSD, PCIe: M.2 PCIe SSD, ✓: available, —: unavailable)

## M.2 slots with examples of various combination possibilities

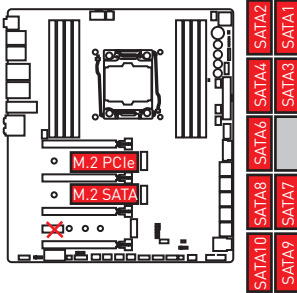
### 1xM.2 PCIe SSD + 10xSATA HDDs



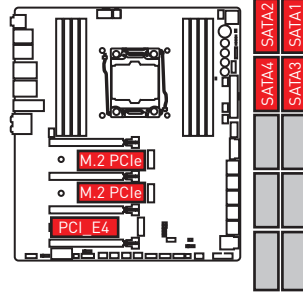
### 2xM.2 PCIe SSDs + 6xSATA HDDs



### 1xM.2 PCIe SSD + 1xM.2 SATA SSD + 9xSATA HDDs

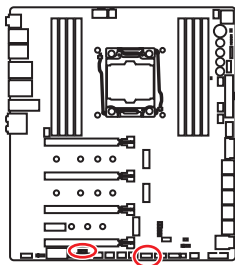


### 2xM.2 PCIe SSDs + 4xSATA HDDs + 1xPCI\_E4 Device



## JFP1, JFP2: Front Panel Connectors

These connectors connect to the switches and LEDs on the front panel.

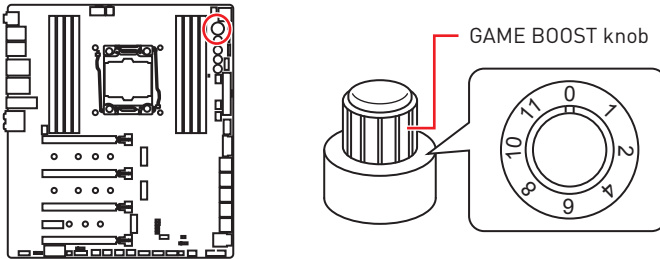


JFP1	
1	HDD LED +
2	Power LED +
3	HDD LED -
4	Power LED -
5	Reset Switch
6	Power Switch
7	Reset Switch
8	Power Switch
9	Reserved
10	No Pin

JFP2	
1	Speaker -
2	Buzzer +
3	Buzzer -
4	Speaker +

## OC1: GAME BOOST Knob

This knob allows you to manually select a stage from number 0 (default) to number 11 (extreme) for overclocking the processor. The processor's voltage and frequency will be automatically adjusted after you power on your computer.



### Using GAME BOOST Knob

To setup the GAME BOOST knob, take the following steps:

1. Set the GAME BOOST knob to hardware mode in BIOS Setup.

**Note:** The light of this knob will be turned on to indicate that the GAME BOOST is controller by hardware. When the light is off, it indicates that the GAME BOOST is controller by BIOS.

2. Power off the computer.
3. Rotate the GAME BOOST knob to select the overclocking stage as you desire.

Stage	CPU Frequency				
	i5-7640X	i7-7740X	i7-7800X	i7-7820X	i9-7900X
0	4.0 GHz	4.3 GHz	3.5 GHz	3.6 GHz	3.3 GHz
1	4.5 GHz	4.8 GHz	4.1 GHz	4.4 GHz	4.4 GHz
2	4.6 GHz	4.9 GHz	4.2 GHz	4.5 GHz	4.5 GHz
4	4.7 GHz	5.0 GHz	4.3 GHz	4.6 GHz	4.6 GHz
6	4.8 GHz	5.1 GHz	4.4 GHz	4.7 GHz	4.7 GHz
8	4.9 GHz	5.2 GHz	4.5 GHz	4.8 GHz	4.8 GHz
10	5.0 GHz	5.3 GHz	4.6 GHz	4.9 GHz	4.9 GHz
11	5.1 GHz	5.4 GHz	4.7 GHz	5.0 GHz	5.0 GHz

4. Power on and then GAME BOOST will automatically overclock processor depending on the stage you selected.

To disable GAME BOOST:

1. Set the GAME BOOST knob to HW mode in BIOS Setup.
2. Power off the computer.
3. Rotate the GAME BOOST knob to 0 and then power on. The configuration parameters will be returned to default values.



### Important

- When using GAME BOOST with Core-X series processor, it is recommended to use liquid CPU cooler with dual fan radiator for better cooling and performance.

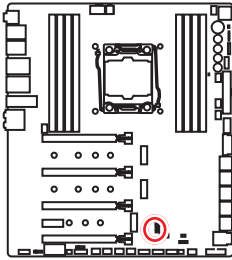
- You can also control the GAME BOOST function in **BIOS Setup** or with **MSI COMMAND CENTER** software.
- In order to optimize performance and improve system stability, when you activate the GAME BOOST function, please leave the settings in the **BIOS > OC** menu unchanged.
- The success of overclocking depends on the components of your computer.
- We do not guarantee the GAME BOOST overclocking range or the damages/ risks caused by overclocking behavior.
- MSI components are recommended for better compatibility when using GAME BOOST function.

## OC\_RT1: OC Retry Jumper

When you close this jumper, the system will keep retrying OC items until it boot up successfully.

## OC\_FS1: OC Force Enter BIOS Jumper

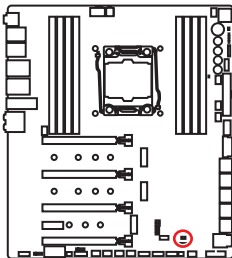
When you close this jumper, the system will be forced access to the BIOS and skip OC failure messages .



OC_RT1		
	Normal (default)	Keep retrying OC
OC_FS1		
	Normal (default)	Force access to the BIOS and skip OC failure messages

## JSLow1: Slow Mode Booting Jumper

This jumper is used for LN2 cooling solution, that provides the extreme overclocking conditions, to boot at a stable processor frequency and to prevent the system from crashing.



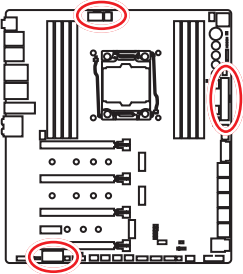
Normal (default)	Enabled
	(Please enable this jumper during BIOS POST.)

### Important

- Users will try extreme low temperature overclocking at their own risks. The overclocking results will vary according to the CPU version.
- Please don't switch to **Enabled** when power-off or the system will be un-bootable.

## CPU\_PWR1~2, ATX\_PWR1, JPWR1: Power Connectors

These connectors allow you to connect an ATX power supply.



1	Ground	5	+12V
2	Ground	6	+12V
3	Ground	7	+12V
4	Ground	8	+12V

1	Ground	3	+12V
2	Ground	4	+12V

1	+3.3V	13	+3.3V
2	+3.3V	14	-12V
3	Ground	15	Ground
4	+5V	16	PS-ON#
5	Ground	17	Ground
6	+5V	18	Ground
7	Ground	19	Ground
8	PWR OK	20	Res
9	5VSB	21	+5V
10	+12V	22	+5V
11	+12V	23	+5V
12	+3.3V	24	Ground

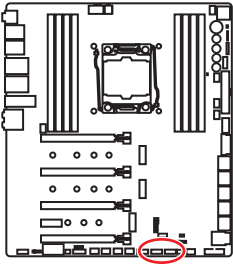
1	+12V	3	Ground
2	Ground	4	+5V

### **Important**

Make sure that all the power cables are securely connected to a proper ATX power supply to ensure stable operation of the motherboard.

## JUSB1~2: USB 2.0 Connectors

These connectors allow you to connect USB 2.0 ports on the front panel.



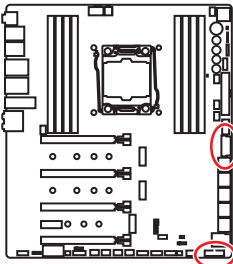
1	VCC	2	VCC
3	USB0-	4	USB1-
5	USB0+	6	USB1+
7	Ground	8	Ground
9	No Pin	10	NC

### Important

- Note that the VCC and Ground pins must be connected correctly to avoid possible damage.
- In order to recharge your iPad, iPhone and iPod through USB ports, please install MSI® SUPER CHARGER utility.

## JUSB3~4: USB 3.1 Gen1 Connectors

These connectors allow you to connect USB 3.1 Gen1 ports on the front panel.



1	Power	11	USB2.0+
2	USB3_RX_DN	12	USB2.0-
3	USB3_RX_DP	13	Ground
4	Ground	14	USB3_TX_C_DP
5	USB3_TX_C_DN	15	USB3_TX_C_DN
6	USB3_TX_C_DP	16	Ground
7	Ground	17	USB3_RX_DP
8	USB2.0-	18	USB3_RX_DN
9	USB2.0+	19	Power
10	NC	20	No Pin

### Important

Note that the Power and Ground pins must be connected correctly to avoid possible damage.

## Charger Port

The **JUSB3** connector is a charger port which can increase USB power output for fast charging your smartphone or USB-powered devices. The Charger Port is hardware controlled by motherboard chip, it can still charge your device in suspend, hibernate state or even shutdown states. However, when you boot the computer into Windows®, you will need to install the MSI® SUPER CHARGER application to turn ON/OFF the Charging mode.



### **Video Demonstration**

Watch the video to learn how to charge the smartphone with Super-Charger.

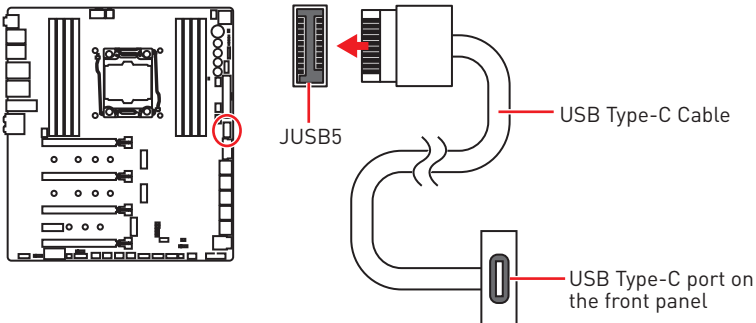
<http://youtu.be/FCyvj5Nb0w>

### **Important**

When the Charging mode is enabled, the Charger Port data syncing will be disabled.

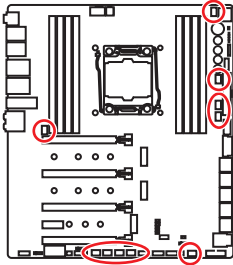
## JUSB5: USB 3.1 Gen2 Type-C Connector

This connector allows you to connect USB 3.1 Gen2 Type-C connector on the front panel. The connector possesses a foolproof design. When you connect the cable, be sure to connect it with the corresponding orientation.



## CPU\_FAN1, PUMP\_FAN1, SYS\_FAN1~4, EXS\_FAN1~4: Fan Connectors

Fan connectors can be classified as PWM (Pulse Width Modulation) Mode or DC Mode. PWM Mode fan connectors provide constant 12V output and adjust fan speed with speed control signal. DC Mode fan connectors control fan speed by changing voltage. This motherboard can automatically detect PWM and DC mode. However, you can follow the instruction below to adjust the fan connector to PWM or DC Mode manually.



### Automatically detect mode fan connectors



CPU\_FAN1/ PUMP\_FAN1/ SYS\_FAN1/ SYS\_FAN4/ EXS\_FAN4



SYS\_FAN2/ SYS\_FAN3/ EXS\_FAN1/ EXS\_FAN2/ EXS\_FAN3



### Important

- You can switch between PWM mode and DC mode and adjust fan speed in **BIOS > HARDWARE MONITOR**.
- Make sure fans are working properly after switching the PWM/ DC mode.

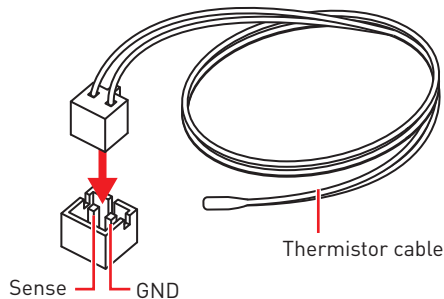
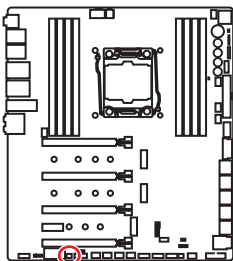
### Pin definition of fan connectors

PWM Mode pin definition			
1	Ground	2	+12V
3	Sense	4	Speed Control Signal

DC Mode pin definition			
1	Ground	2	Voltage Control
3	Sense	4	NC

## T\_SEN1: Thermal Sensor Connector

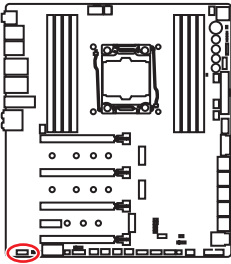
This connector allow you to connect the thermistor cable and use it to monitor the temperature of the detection point.

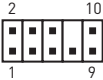


Thermistor cable

## JAUD1: Front Audio Connector

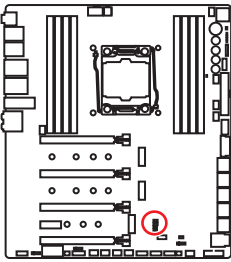
This connector allows you to connect audio jacks on the front panel.



			
1	MIC L	2	Ground
3	MIC R	4	NC
5	Head Phone R	6	MIC Detection
7	SENSE_SEND	8	No Pin
9	Head Phone L	10	Head Phone Detection

## JCI1: Chassis Intrusion Connector

This connector allows you to connect the chassis intrusion switch cable.



Normal  
(default)



Trigger the chassis  
intrusion event

### Using chassis intrusion detector

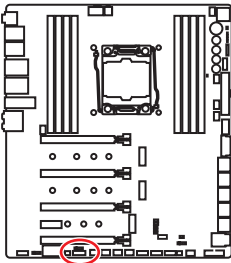
1. Connect the **JCI1** connector to the chassis intrusion switch/ sensor on the chassis.
2. Close the chassis cover.
3. Go to **BIOS > Settings > Security > Chassis Intrusion Configuration**.
4. Set **Chassis Intrusion** to **Enabled**.
5. Press **F10** to save and exit and then press the **Enter** key to select **Yes**.
6. Once the chassis cover is opened again, a warning message will be displayed on screen when the computer is turned on.

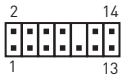
### Resetting the chassis intrusion warning

1. Go to **BIOS > Settings > Security > Chassis Intrusion Configuration**.
2. Set **Chassis Intrusion** to **Reset**.
3. Press **F10** to save and exit and then press the **Enter** key to select **Yes**.

## JTPM1: TPM Module Connector

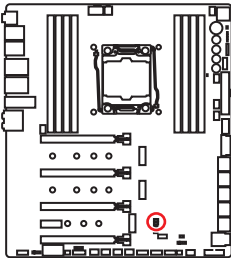
This connector is for TPM (Trusted Platform Module). Please refer to the TPM security platform manual for more details and usages.



			
1	LPC Clock	2	3V Standby power
3	LPC Reset	4	3.3V Power
5	LPC address & data pin0	6	Serial IRQ
7	LPC address & data pin1	8	5V Power
9	LPC address & data pin2	10	No Pin
11	LPC address & data pin3	12	Ground
13	LPC Frame	14	Ground

## JBAT1: Clear CMOS (Reset BIOS) Jumper

There is CMOS memory onboard that is external powered from a battery located on the motherboard to save system configuration data. If you want to clear the system configuration, set the jumpers to clear the CMOS memory.



Keep Data  
(default)



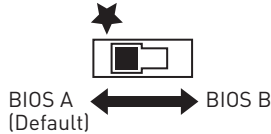
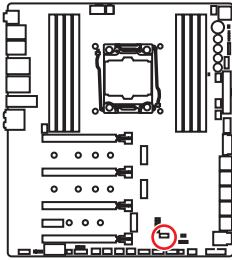
Clear CMOS/  
Reset BIOS

### Resetting BIOS to default values

1. Power off the computer and unplug the power cord
2. Use a jumper cap to short JBAT1 for about 5-10 seconds.
3. Remove the jumper cap from JBAT1.
4. Plug the power cord and power on the computer.

## BIOS\_SW1: Multi-BIOS Switch

This motherboard has two built-in BIOS ROMs (Labeled A and B, default BIOS ROM is A). If one is crashed, you can shift to the other for booting by sliding the switch.



### Recovering BIOS

When BIOS updating fails or causes the computer non-bootable, you can recover the failed BIOS by the steps below. Before recovering, please download the latest BIOS file that matches your motherboard model from MSI website. And then save the BIOS file to the root of the USB flash drive.

1. Power off the computer.
2. Switch to the normal BIOS ROM with **Multi-BIOS switch**.
3. Insert the USB flash drive into the computer.
4. Power on the computer and press Del key to enter BIOS setup during POST.
5. Select the **M-FLASH** tab and click on **Yes** to reboot the system and enter the flash mode.
6. Select a BIOS file to perform the BIOS recovering process.
7. Switch to the failed BIOS ROM with **Multi-BIOS switch**, and click on **Yes** to start recovering BIOS.
8. After the recovering process is completed, the system will reboot automatically

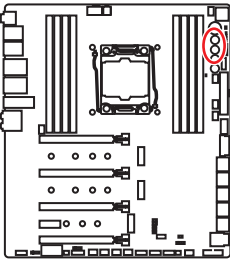


#### **Important**

- Do not use the Multi-BIOS switch when system is booting up.
- You can also use the **LIVE UPDATE** or **Flash BIOS Button** utility to flash BIOS. Please refer to BIOS section for details.

## POWER1, RESET1: Power Button, Reset Button

The Power / Reset button allows you to power on / reset the computer.



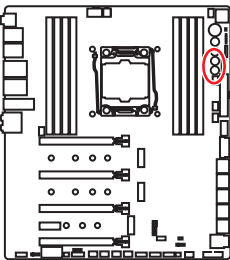
Power button



Reset button

## Plus, Minus buttons: BCLK-Ratio buttons

You can use these buttons to increase or decrease the CPU BCLK/ Ratio.



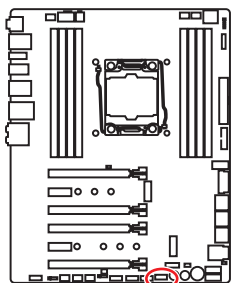
BCLK+  
/ Ratio+




BCLK-  
/ Ratio-

## VRAID1: Virtual RAID on CPU Connector

This connector allows you to connect the VROC (Virtual RAID on CPU) key module. You need to enable the VROC function with Intel® RSTe (Intel® Rapid Storage Technology enterprise) driver.



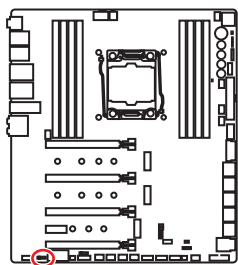
 1			
1	GND	2	VCC3
3	GND	4	SATA_RAID_KEY




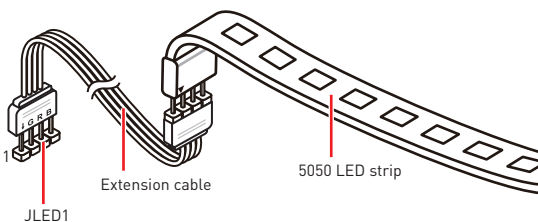
The VROC key module is purchased separately.

## JLED1: RGB LED connector

These connectors allow you to connect the 5050 RGB LED strips.



 1			
1	+12V	2	G
3	R	4	B

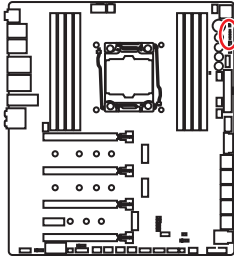






- This connector supports 5050 RGB multi-color LED strips (12V/G/R/B) with the maximum power rating of 3A (12V). Please keeping the LED strip shorter than 2 meters to prevent dimming.
- Always turn off the power supply and unplug the power cord from the power outlet before installing or removing the RGB LED strip.
- Please use MSI's software to control the extended LED strip.

# Onboard LEDs

## EZ Debug LED

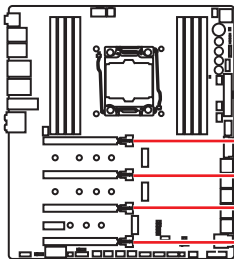
These LEDs indicate the debug status of the motherboard.



-  **CPU** - indicates CPU is not detected or fail.
-  **DRAM** - indicates DRAM is not detected or fail.
-  **VGA** - indicates GPU is not detected or fail.
-  **BOOT** - indicates the booting device is not detected or fail.

## PCIe x16 slot LEDs

These LED indicate the PCIe x16 slots status.



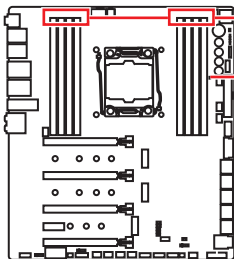
LED color	PCIe slot status
Red	x16 mode
White	x8, x4, x1 mode




## DIMM LEDs

These LED indicate the memory modules are installed.

## XMP LED

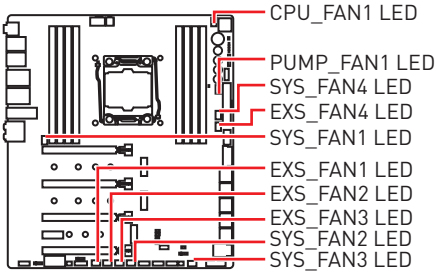
This LED indicates the XMP (Extreme Memory Profile) mode is enabled.



-   DIMM LEDs
-  XMP LED

## Fan LEDs

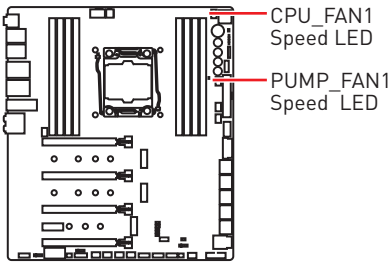
These LEDs indicate the fan control mode.



LED color	Fan control mode
Red	PWM mode
Green	DC mode

## Fan Speed Indicators

There are a fan speed indicators on the chipset heatsink and backplane. The light will change color indicating the fan speed.



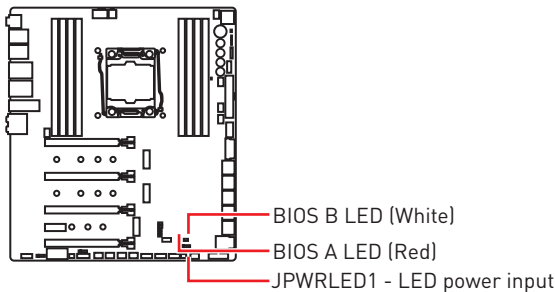
LED color	Fan speed
White	Below 65%
From white to red	65%~80%
Red	Above 80%

## Multi-BIOS LEDs

Multi-BIOS LEDs indicate which BIOS is in operation.

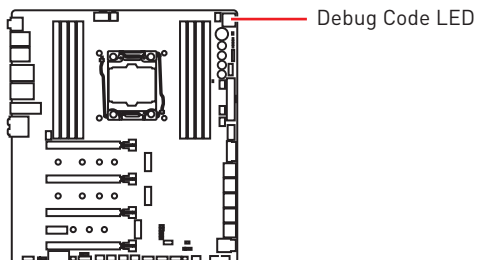
### JPWRLED1: LED demonstration power input connector

This connector is used by retailers to demonstrate onboard LED lights.



## Debug Code LED

The Debug Code LED displays progress and error codes during and after POST. Refer to the Debug Code LED table for details.



## Hexadecimal Character Table

Hexadecimal	0	1	2	3	4	5	6	7	8	9	A	B	C	D	E	F
Debug Code LED display	0	1	2	3	4	5	6	7	8	9	A	B	C	D	E	F

## Boot Phases

**Security (SEC)** – initial low-level initialization

**Pre-EFI Initialization (PEI)** – memory initialization

**Driver Execution Environment (DXE)** – main hardware initialization

**Boot Device Selection (BDS)** – system setup, pre-OS user interface & selecting a bootable device (CD/DVD, HDD, USB, Network, Shell, ...)

## Debug Code LED Table

### SEC Progress Codes

01	Power on. Reset type detection (soft/hard)
02	AP initialization before microcode loading
03	System Agent initialization before microcode loading
04	PCH initialization before microcode loading
06	Microcode loading
07	AP initialization after microcode loading
08	System Agent initialization after microcode loading
09	PCH initialization after microcode loading
0B	Cache initialization

### SEC Error Codes

0C - 0D	Reserved for future AMI SEC error codes
0E	Microcode not found
0F	Microcode not loaded

### PEI Progress Codes

10	PEI Core is started
11	Pre-memory CPU initialization is started
12 - 14	Pre-memory CPU initialization (CPU module specific)
15	Pre-memory System Agent initialization is started
16 - 18	Pre-Memory System Agent initialization (System Agent module specific)
19	Pre-memory PCH initialization is started
1A - 1C	Pre-memory PCH initialization (PCH module specific)
2B	Memory initialization. Serial Presence Detect (SPD) data reading

<b>2C</b>	Memory initialization. Memory presence detection
<b>2D</b>	Memory initialization. Programming memory timing information
<b>2E</b>	Memory initialization. Configuring memory
<b>2F</b>	Memory initialization [other]
<b>31</b>	Memory Installed
<b>32</b>	CPU post-memory initialization is started
<b>33</b>	CPU post-memory initialization. Cache initialization
<b>34</b>	CPU post-memory initialization. Application Processor(s) [AP] initialization
<b>35</b>	CPU post-memory initialization. Boot Strap Processor [BSP] selection
<b>36</b>	CPU post-memory initialization. System Management Mode [SMM] initialization
<b>37</b>	Post-Memory System Agent initialization is started
<b>38 - 3A</b>	Post-Memory System Agent initialization [System Agent module specific]
<b>3B</b>	Post-Memory PCH initialization is started
<b>3C - 3E</b>	Post-Memory PCH initialization [PCH module specific]
<b>4F</b>	DXE IPL is started

## PEI Error Codes

<b>50</b>	Memory initialization error. Invalid memory type or incompatible memory speed
<b>51</b>	Memory initialization error. SPD reading has failed
<b>52</b>	Memory initialization error. Invalid memory size or memory modules do not match
<b>53</b>	Memory initialization error. No usable memory detected
<b>54</b>	Unspecified memory initialization error
<b>55</b>	Memory not installed
<b>56</b>	Invalid CPU type or Speed
<b>57</b>	CPU mismatch
<b>58</b>	CPU self test failed or possible CPU cache error
<b>59</b>	CPU micro-code is not found or micro-code update is failed
<b>5A</b>	Internal CPU error
<b>5B</b>	Reset PPI is not available
<b>5C - 5F</b>	Reserved for future AMI error codes

## DXE Progress Codes

<b>60</b>	DXE Core is started
<b>61</b>	NVRAM initialization
<b>62</b>	Installation of the PCH Runtime Services
<b>63</b>	CPU DXE initialization is started
<b>64 - 67</b>	CPU DXE initialization [CPU module specific]
<b>68</b>	PCI host bridge initialization
<b>69</b>	System Agent DXE initialization is started
<b>6A</b>	System Agent DXE SMM initialization is started
<b>6B - 6F</b>	System Agent DXE initialization [System Agent module specific]
<b>70</b>	PCH DXE initialization is started
<b>71</b>	PCH DXE SMM initialization is started
<b>72</b>	PCH devices initialization
<b>73 - 77</b>	PCH DXE Initialization [PCH module specific]
<b>78</b>	ACPI module initialization
<b>79</b>	CSM initialization
<b>7A - 7F</b>	Reserved for future AMI DXE codes
<b>90</b>	Boot Device Selection [BDS] phase is started
<b>91</b>	Driver connecting is started
<b>92</b>	PCI Bus initialization is started
<b>93</b>	PCI Bus Hot Plug Controller Initialization
<b>94</b>	PCI Bus Enumeration 32
<b>95</b>	PCI Bus Request Resources
<b>96</b>	PCI Bus Assign Resources
<b>97</b>	Console Output devices connect
<b>98</b>	Console input devices connect
<b>99</b>	Super IO Initialization
<b>9A</b>	USB initialization is started
<b>9B</b>	USB Reset
<b>9C</b>	USB Detect
<b>9D</b>	USB Enable
<b>9E - 9F</b>	Reserved for future AMI codes
<b>A0</b>	IDE initialization is started
<b>A1</b>	IDE Reset
<b>A2</b>	IDE Detect
<b>A3</b>	IDE Enable
<b>A4</b>	SCSI initialization is started
<b>A5</b>	SCSI Reset
<b>A6</b>	SCSI Detect
<b>A7</b>	SCSI Enable

<b>A8</b>	Setup Verifying Password
<b>A9</b>	Start of Setup
<b>AB</b>	Setup Input Wait
<b>AD</b>	Ready To Boot event
<b>AE</b>	Legacy Boot event
<b>AF</b>	Exit Boot Services event
<b>B0</b>	Runtime Set Virtual Address MAP Begin
<b>B1</b>	Runtime Set Virtual Address MAP End
<b>B2</b>	Legacy Option ROM Initialization
<b>B3</b>	System Reset
<b>B4</b>	USB hot plug
<b>B5</b>	PCI bus hot plug
<b>B6</b>	Clean-up of NVRAM
<b>B7</b>	Configuration Reset (reset of NVRAM settings)
<b>B8 - BF</b>	Reserved for future AMI codes

### DXE Error Codes

<b>D0</b>	CPU initialization error
<b>D1</b>	System Agent initialization error
<b>D2</b>	PCH initialization error
<b>D3</b>	Some of the Architectural Protocols are not available
<b>D4</b>	PCI resource allocation error. Out of Resources
<b>D5</b>	No Space for Legacy Option ROM
<b>D6</b>	No Console Output Devices are found
<b>D7</b>	No Console Input Devices are found
<b>D8</b>	Invalid password
<b>D9</b>	Error loading Boot Option (LoadImage returned error)
<b>DA</b>	Boot Option is failed (StartImage returned error)
<b>DB</b>	Flash update is failed
<b>DC</b>	Reset protocol is not available

### S3 Resume Progress Codes

<b>E0</b>	S3 Resume is started (S3 Resume PPI is called by the DXE IPL)
<b>E1</b>	S3 Boot Script execution
<b>E2</b>	Video repost
<b>E3</b>	OS S3 wake vector call
<b>E4 - E7</b>	Reserved for future AMI progress codes

### S3 Resume Error Codes

<b>E8</b>	S3 Resume Failed
-----------	------------------

<b>E9</b>	S3 Resume PPI not Found
<b>EA</b>	S3 Resume Boot Script Error
<b>EB</b>	S3 OS Wake Error
<b>EC - EF</b>	Reserved for future AMI error codes

### Recovery Progress Codes

<b>F0</b>	Recovery condition triggered by firmware (Auto recovery)
<b>F1</b>	Recovery condition triggered by user (Forced recovery)
<b>F2</b>	Recovery process started
<b>F3</b>	Recovery firmware image is found
<b>F4</b>	Recovery firmware image is loaded
<b>F5 - F7</b>	Reserved for future AMI progress codes

### Recovery Error Codes

<b>F8</b>	Recovery PPI is not available
<b>F9</b>	Recovery capsule is not found
<b>FA</b>	Invalid recovery capsule
<b>FB - FF</b>	Reserved for future AMI error codes

### ACPI States Codes

The following codes appear after booting and the operating system into ACPI modes.

<b>01</b>	System is entering S1 sleep state
<b>02</b>	System is entering S2 sleep state
<b>03</b>	System is entering S3 sleep state
<b>04</b>	System is entering S4 sleep state
<b>05</b>	System is entering S5 sleep state
<b>10</b>	System is waking up from the S1 sleep state
<b>20</b>	System is waking up from the S2 sleep state
<b>30</b>	System is waking up from the S3 sleep state
<b>40</b>	System is waking up from the S4 sleep state
<b>AC</b>	System has transitioned into ACPI mode. Interrupt controller is in PIC mode.
<b>AA</b>	System has transitioned into ACPI mode. Interrupt controller is in APIC mode.

### CPU Temperature

<b>00 - 99</b>	Displays current CPU temperature after the system has fully booted into the OS.
----------------	---

## Updating LED Firmware

Updating the LED firmware can help improve lighting effect.

To update LED firmware:

1. Install and launch MSI LIVE UPDATE 6.
2. Select **BIOS Update**.
3. Click on **Scan** button. If the LED firmware needs to be updated, the version of the firmware will appear in the list.
4. Select the item in the list.



5. Click on **Total installer** button to download and install the firmware.
6. When the process is 100% completed, you need to restart your computer to enable the LED firmware.

# BIOS Setup

The default settings offer the optimal performance for system stability in normal conditions. You should **always keep the default settings** to avoid possible system damage or failure booting unless you are familiar with BIOS.

## Important

- BIOS items are continuously update for better system performance. Therefore, the description may be slightly different from the latest BIOS and should be for reference only. You could also refer to the **HELP** information panel for BIOS item description.
- The pictures in this chapter are for reference only and may vary from the product you purchased.

## Entering BIOS Setup

Please refer the following methods to enter BIOS setup.

- Press **Delete** key, when the **Press DEL key to enter Setup Menu, F11 to enter Boot Menu** message appears on the screen during the boot process.
- Use **MSI FAST BOOT** application. Click on **GO2BIOS** button and choose **OK**. The system will reboot and enter BIOS setup directly.



Click on **GO2BIOS**

## Function key

- F1:** General Help
- F2:** Add/ Remove a favorite item
- F3:** Enter Favorites menu
- F4:** Enter CPU Specifications menu
- F5:** Enter Memory-Z menu
- F6:** Load optimized defaults
- F7:** Switch between Advanced mode and EZ mode
- F8:** Load Overclocking Profile
- F9:** Save Overclocking Profile
- F10:** Save Change and Reset\*
- F12:** Take a screenshot and save it to USB flash drive (FAT/ FAT32 format only).
- Ctrl+F:** Enter Search page

\* When you press F10, a confirmation window appears and it provides the modification information. Select between Yes or No to confirm your choice.

## Resetting BIOS

You might need to restore the default BIOS setting to solve certain problems. There are several ways to reset BIOS:

- Go to BIOS and press **F6** to load optimized defaults.
- Short the **Clear CMOS** jumper on the motherboard.



*Be sure the computer is off before clearing CMOS data. Please refer to the **Clear CMOS** jumper section for resetting BIOS.*

## Updating BIOS

### Updating BIOS with M-FLASH

Before updating:

Please download the latest BIOS file that matches your motherboard model from MSI website. And then save the BIOS file into the USB flash drive.

Updating BIOS:

1. Press Del key to enter the BIOS Setup during POST.
2. Insert the USB flash drive that contains the update file into the computer.
3. Select the **M-FLASH** tab and click on **Yes** to reboot the system and enter the flash mode.
4. Select a BIOS file to perform the BIOS update process.
5. After the flashing process is 100% completed, the system will reboot automatically.

### Updating the BIOS with Live Update 6

Before updating:

Make sure the LAN driver is already installed and the Internet connection is set properly.

Updating BIOS:

1. Install and launch MSI LIVE UPDATE 6.
2. Select **BIOS Update**.
3. Click on **Scan** button.
4. Click on **Download** icon to download and install the latest BIOS file.
5. Click **Next** and choose **In Windows mode**. And then click **Next** and **Start** to start updating BIOS.
6. After the flashing process is 100% completed, the system will restart automatically.

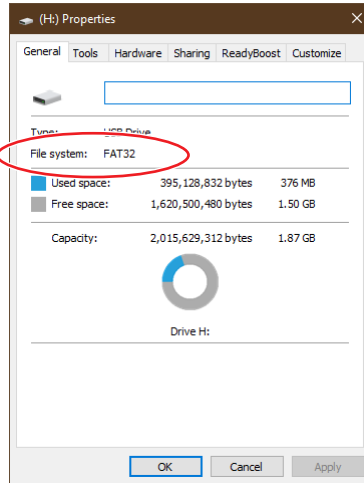
## Updating BIOS with Flash BIOS Button

1. Please download the latest BIOS file that matches your motherboard model from the MSI® website.
2. Rename the BIOS file to **MSI.ROM**, and save it to the root of your USB flash drive (FAT32 format).
3. Connect the power supply to **CPU\_PWR1** and **ATX\_PWR1**. (No need to install CPU and memory.)
4. Plug the USB flash drive that contains the MSI.ROM file into the **Flash BIOS Port** on the rear I/O panel.
5. Press the **Flash BIOS** Button to flash BIOS, and the LED starts flashing.
6. The LED will be turned off when the process is completed.



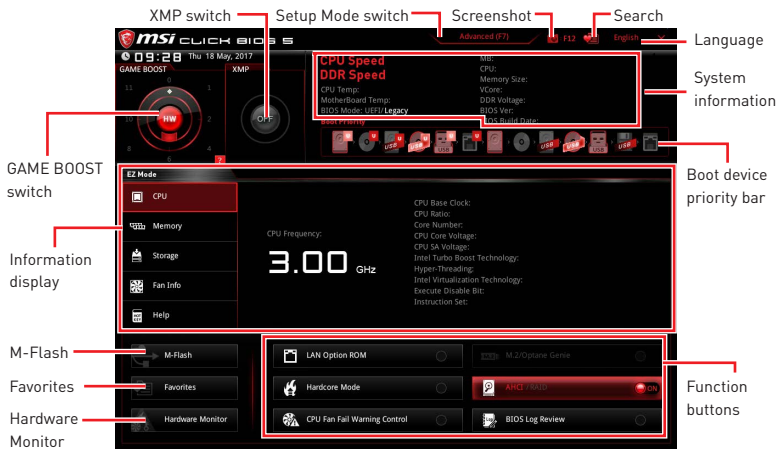
### Important


Only the FAT32 format USB flash drive supports updating BIOS by **Flash BIOS Button**. To check your drive, go to Windows Explorer, right click on the drive icon and go to Properties.



## EZ Mode

At EZ mode, it provides the basic system information and allows you to configure the basic setting. To configure the advanced BIOS settings, please enter the Advanced Mode by pressing the **Setup Mode switch** or **F7** function key.



• **GAME BOOST switch** - click on the center button to switch **GAME BOOST** control between **software (SW)** and **hardware (HW)**. The inner circle represents the current stage of hardware **GAME BOOST** and the outer circle stands for software. You can read the CPU frequency of each **GAME BOOST** stage by clicking on the  icon at right-bottom corner.

### **Important**

*Please don't make any changes in OC menu and don't load defaults to keep the optimal performance and system stability after activating the **GAME BOOST** function.*

• **XMP switch** - click on the inner circle to enable/ disable the X.M.P. (Extreme Memory Profile). Switch the outer circle to select the X.M.P. profile. This switch will only be available if the X.M.P. supported memory module is installed.

• **Setup Mode switch** - press this tab or the **F7** key to switch between Advanced mode and EZ mode.

• **Screenshot** - click on this tab or the **F12** key to take a screenshot and save it to USB flash drive (FAT/ FAT32 format only).

• **Search** - click on this tab or the **Ctrl+F** keys and the search page will show. It allows you to search by BIOS item name, enter the item name to find the item listing. Move the mouse over a blank space and right click the mouse to exit search page.

### **Important**

*In search page, only the F6, F10 and F12 function keys are available.*

• **Language** - allows you to select the language of BIOS setup.

• **System information** - shows the CPU/ DDR speed, CPU/ MB temperature, MB/ CPU type, memory size, CPU/ DDR voltage, BIOS version and build date.

• **Boot device priority bar** - you can move the device icons to change the boot priority. The boot priority from high to low is left to right.

• **Information display** - click on the **CPU, Memory, Storage, Fan Info** and **Help** buttons on left side to display related information.

• **Function buttons** - enable or disable the **LAN Option ROM, M.2/Optane Genie, Hardcore Mode, AHCI, RAID, CPU Fan Fail Warning Control** and **BIOS Log Review** by clicking on their respective button.

- **Hardcore Mode** - always keep the CPU in full speed mode to maximize system performance. This feature will increase power consumption.

• **M-Flash** - click on this button to display the **M-Flash** menu that provides the way to update BIOS with a USB flash drive.

• **Hardware Monitor** - click on this button to display the **Hardware Monitor** menu that allows you to manually control the fan speed by percentage.

• **Favorites** - press the **Favorites** tab or the **F3** key to enter **Favorites** menu. It allows you to create personal BIOS menu where you can save and access favorite/ frequently-used BIOS setting items.

- **Default HomePage** - allows you to select a BIOS menu (e.g. SETTINGS, OC...,etc) as the BIOS home page.

- **Favorite1~5** - allows you to add the frequently-used/ favorite BIOS setting items in one page.

- **To add a BIOS item to a favorite page (Favorite 1~5)**

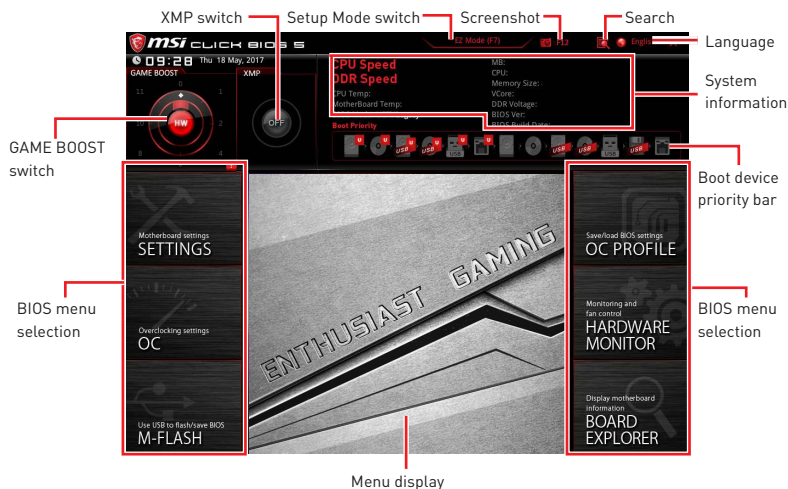
1. Move the mouse over a BIOS item not only on BIOS menu but also on search page.
2. Right-click or press **F2** key.
3. Choose a favorite page and click on **OK**.

- **To delete a BIOS item from favorite page**

1. Move the mouse over a BIOS item on favorite page (Favorite 1~5)
2. Right-click or press **F2** key.
3. Choose **Delete** and click on **OK**.

## Advanced Mode

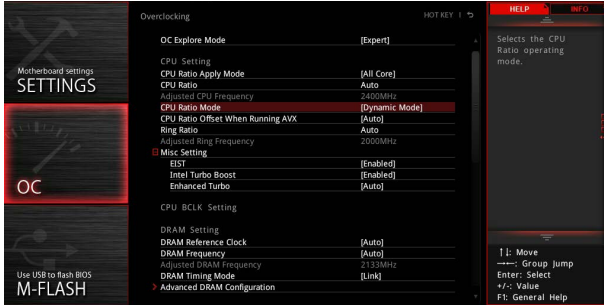
Press **Setup Mode switch** or **F7** function key can switch between EZ Mode and Advanced Mode in BIOS setup.



- **GAME BOOST switch/ XMP switch/ Setup Mode switch/ Screenshot/ Favorites/ Language/ System information/ Boot device priority bar** - please refer to the descriptions of EZ Mode Overview section.
- **BIOS menu selection** - the following options are available:
  - **SETTINGS** - allows you to specify the parameters for chipset and boot devices.
  - **OC** - allows you to adjust the frequency and voltage. Increasing the frequency may get better performance.
  - **M-FLASH** - provides the way to update BIOS with a USB flash drive.
  - **OC PROFILE** - allows you to manage overclocking profiles.
  - **HARDWARE MONITOR** - allows you to set the speeds of fans and monitor voltages of system.
  - **BOARD EXPLORER** - provides the information of installed devices on this motherboard.
- **Menu display** - provides BIOS setting items and information to be configured.

## OC Menu

This menu is for advanced users who want to overclock the motherboard.



### **Important**

- Overclocking your PC manually is only recommended for advanced users.
- Overclocking is not guaranteed, and if done improperly, it could void your warranty or severely damage your hardware.
- If you are unfamiliar with overclocking, we advise you to use **GAME BOOST** function for easy overclocking.

#### ► OC Explore Mode [Expert]

Enables or disables to show the normal or expert version of OC settings.

[Normal] Provides the regular OC settings in BIOS setup.

[Expert] Provides the advanced OC settings for OC expert to configure in BIOS setup.

Note: We use \* as the symbol for the OC settings of Expert mode.

#### ► CPU Ratio Apply Mode [All Core]\*

Sets applied mode for CPU ratio. This item only appears when a CPU that supports **Turbo Boost** is installed.

[All Core] Activate the **CPU Ratio** field. All CPU cores will run the same CPU ratio that be set in **CPU Ratio**.

[Per Core] Activate the **X-Core Ratio Limit** field. Sets each CPU core ratio separately in **X-Core Ratio Limit**.

#### ► CPU Ratio [Auto]

Sets the CPU ratio that is used to determine CPU clock speed. This item can only be changed if the processor supports this function.

#### ► Adjusted CPU Frequency

Shows the adjusted CPU frequency. Read-only.

### ► CPU Ratio Mode [Dynamic Mode]\*

Selects the CPU Ratio operating mode. This item will appear when you set the CPU ratio manually.

[Fixed Mode] Fixes the CPU ratio.

[Dynamic Mode] CPU ratio will be changed dynamically according to the CPU loading.

### ► CPU Ratio Offset When Running AVX [Auto]

Sets a offset value to lower the CPU core ratio. It could be helpful for heat dissipation when running AVX instruction set. If set to Auto, BIOS will configure this setting automatically. This item appears when the installed CPU supports this function.

### ► Ring Ratio [Auto]

Sets the ring ratio. The valid value range depends on the installed CPU.

### ► Adjusted Ring Frequency

Shows the adjusted Ring frequency. Read-only.

### ► Misc Setting\*

Press Enter, + or - key to open or close the following 3 items related to CPU features.

#### ► EIST [Enabled]\*

Enables or disables the Enhanced Intel® SpeedStep Technology.

[Enabled] Enables the EIST to adjust CPU voltage and core frequency dynamically. It can decrease average power consumption and average heat production.

[Disabled] Disables EIST.

#### ► Intel Turbo Boost [Enabled]\*

Enables or disables the Intel® Turbo Boost. This item appears when the installed CPU supports this function.

[Enabled] Enables this function to boost CPU performance automatically above rated specifications when system request the highest performance state.

[Disabled] Disables this function.

#### ► Enhanced Turbo [Auto]\*

Enables or disables Enhanced Turbo function for all CPU cores to boost CPU performance. This item appears when the installed CPU supports this function.

[Auto] This setting will be configured automatically by BIOS.

[Enabled] All CPU cores would be increased to maximum turbo ratio.

[Disabled] Disables this function.

### ► Extreme Memory Profile (X.M.P.) [Disabled]

X.M.P. (Extreme Memory Profile) is the overclocking technology by memory module. Please enable XMP or select a profile of memory module for overclocking the memory. This item will be available when the memory modules that support X.M.P. is installed.

### ► CPU Base Clock (MHz)

Sets the CPU Base clock. You may overclock the CPU by adjusting this value. Please note that overclocking behavior and stability is not guaranteed. This item appears when a CPU that support this function is installed.

► **CPU Base Clock Apply Mode [Auto]\***

Sets the applying mode for adjusted CPU base clock.

[Auto] This setting will be configured automatically by BIOS.

[Next Boot] CPU will run the adjusted CPU base clock at next boot.

[Immediate] CPU runs the adjusted CPU base clock immediately.

► **Direct OC Button [Enabled]**

Enables or disables the base clock buttons for real time overclocking.

► **Direct OC Step (MHz) [1.00]\***

Sets the increase or decrease of BCLK frequency when the base clock button (+ or -) is pressed each time.

► **Clockgen Features**

Press **Enter** to enter the sub-menu. Sets the detailed clockgen features.

► **Dynamic Frequency Control [Disabled]**

Enables or disables to try different CPU BCLK under CPU loading to overclock the system. This item will be disabled when the **Dynamic Frequency Search** is enabled.

► **DFC Baseline (MHz) [Auto]**

Sets initial BCLK for dynamic overclocking if not reach the threshold. This item will be available when the **Dynamic Frequency Control** is enabled.

► **Threshold 1~3 (A) [Auto]**

Sets the CPU current as the threshold for **Dynamic Frequency Control**. When CPU current reaches the value, it will run the **Level 1/ 2/ 3 BCLK** for dynamic overclocking. These items will appear when the **Dynamic Frequency Control** is enabled.

► **Level 1~3 BCLK (MHz) [Auto]**

Sets the CPU BCLK for the threshold. These items will appear when the **Dynamic Frequency Control** is enabled.

► **Dynamic Frequency Search [Disabled]**

Enables or disables to run the optimized dynamic BCLK. This item will be disabled when the **Dynamic Frequency Control** is enabled.

► **Dynamic Frequency Search Mode [Once]**

Sets the search mode of the dynamic BCLK. This item will be available when the **Dynamic Frequency Search** is enabled.

[Once] Run once in the next system boot.

[Each Power On] Run in every time when system is powered on.

► **Dynamic Frequency Search Step (MHz) [Auto]**

Sets the increase for running the dynamic BCLK. If set to **Auto**, BIOS will configure this setting automatically. This item will be available when the **Dynamic Frequency Search** is enabled.

► **BCLK Amplitude [Auto]**

Sets the value for BCLK Amplitude for overclocking. Higher value might benefit to get higher overclocking.

► **SRC Clock Amplitude [Auto]**

Sets the value for SRC clock Amplitude.

► **SATA Clock Amplitude [Auto]**

Sets the value for SATA clock Amplitude.

► **BCLK Slew Rate [Auto]**

Sets the value for BCLK Slew Rate for overclocking. The value might vary depending on the actual overclocking scenario.

► **BCLK ORT Duration [Auto]**

Sets the value for BCLK ORT duration for overclocking. The value might vary depending on the actual overclocking scenario.

► **DRAM Reference Clock [Auto]\***

Sets the DRAM reference clock. The valid value range depends on the installed CPU. This item appears when a CPU that supports this adjustment is installed.

► **DRAM Frequency [Auto]**

Sets the DRAM frequency. Please note the overclocking behavior is not guaranteed.

► **Adjusted DRAM Frequency**

Shows the adjusted DRAM frequency. Read-only.

► **Memory Try It ! [Disabled]**

It improve memory compatibility or performance by choosing optimized memory preset.

► **DRAM Timing Mode [Link]**

Selects the memory timing mode.

[Link] Allows user to configure the DRAM timing for all memory channel.

[UnLink] Allows user to configure the DRAM timing for respective memory channel.

► **Advanced DRAM Configuration**

Press **Enter** to enter the sub-menu. User can set the memory timing for each/ all memory channel. The system may become un-stable or un-bootable after changing memory timing. If it occurs, please clear the CMOS data and restore the default settings. (Refer to the Clear CMOS jumper/ button section to clear the CMOS data, and enter the BIOS to load the default settings.)

► **Memory Fast Boot [Auto]\***

Enables or disables the initiation and training for memory every booting.

[Auto] The setting will be configured automatically by BIOS.

[Enabled] System will completely keep the archives of first initiation and training for memory. So the memory will not be initiated and trained when booting to accelerate the system booting time.

[Disabled] The memory will be initiated and trained every booting.

► **DigitALL Power**

Press **Enter** to enter the sub-menu. Controls the digital powers related to CPU PWM.

### ► VCCIN Voltage [Auto]

Sets the CPU input voltage. The CPU input voltage is the CPU power source that is shared with components of the CPU.

### ► CPU Voltages control [Auto]

These options allows you to set the voltages related to CPU. If set to **Auto**, BIOS will set these voltages automatically or you can set it manually.

### ► DRAM Voltages control [Auto]

These options allows you to set the voltages related to memory. If set to **Auto**, BIOS will set these voltages automatically or you can set it manually.

### ► PCH Voltages control [Auto] (optional)

These options allows you to set the voltages related to PCH. If set to **Auto**, BIOS will set these voltages automatically or you can set it manually.

### ► CPU Memory Changed Detect [Enabled]\*

Enables or disables the system to issue a warning message during boot when the CPU or memory has been replaced.

[Enabled] The system will issue a warning message during boot and than needs to load the default settings for new devices.

[Disabled] Disables this function and keeps the current BIOS settings.

### ► CPU Specifications

Press **Enter** to enter the sub-menu. This sub-menu displays the information of installed CPU. You can also access this information menu at any time by pressing [F4]. Read only.

#### ► CPU Technology Support

Press **Enter** to enter the sub-menu. The sub-menu shows the key features of installed CPU. Read only.

### ► MEMORY-Z

Press **Enter** to enter the sub-menu. This sub-menu displays all the settings and timings of installed memory. You can also access this information menu at any time by pressing [F5].

#### ► DIMMx Memory SPD

Press **Enter** to enter the sub-menu. The sub-menu displays the information of installed memory. Read only.

### ► CPU Features

Press **Enter** to enter the sub-menu.

#### ► Hyper-Threading [Enabled]

Intel Hyper-Threading technology treats the multi cores inside the processor as multi logical processors that can execute instructions simultaneously. In this way, the system performance is highly improved. This item appears when the installed CPU supports this technology.

[Enable] Enables Intel Hyper-Threading technology.

[Disabled] Disables this item if the system does not support HT function.

► **Limit CPUID Maximum [Disabled]**

Enables or disables the extended CPUID value.

[Enabled] BIOS limits the maximum CPUID input value to circumvent boot problems with older operating system that do not support the processor with extended CPUID value.

[Disabled] Use the actual maximum CPUID input value.

► **Intel Virtualization Tech [Enabled]**

Enables or disables Intel Virtualization technology.

[Enabled] Enables Intel Virtualization technology and allows a platform to run multiple operating systems in independent partitions. The system can function as multiple systems virtually.

[Disabled] Disables this function.

► **Intel VT-D Tech [Disabled]**

Enables or disables Intel VT-D (Intel Virtualization for Directed I/O) technology.

► **Hardware Prefetcher [Enabled]**

Enables or disables the hardware prefetcher (MLC Streamer prefetcher).

[Enabled] Allows the hardware prefetcher to automatically pre-fetch data and instructions into L2 cache from memory for tuning the CPU performance.

[Disabled] Disables the hardware prefetcher.

► **Adjacent Cache Line Prefetch [Enabled]**

Enables or disables the CPU hardware prefetcher (MLC Spatial prefetcher).

[Enabled] Enables adjacent cache line prefetching for reducing the cache latency time and tuning the performance to the specific application.

[Disabled] Enables the requested cache line only.

► **CPU AES Instructions [Enabled]**

Enables or disables the CPU AES (Advanced Encryption Standard-New Instructions) support. This item appears when a CPU supports this function.

► **Intel Adaptive Thermal Monitor [Enabled]**

Enables or disables the Intel adaptive thermal monitor function to protect the CPU from overheating.

[Enabled] Throttles down the CPU core clock speed when the CPU is over the adaptive temperature.

[Disabled] Disables this function.

► **Intel C-State [Auto]**

Enables or disables the Intel C-state. C-state is a processor power management technology defined by ACPI.

[Auto] This setting will be configured automatically by BIOS.

[Enabled] Detects the idle state of system and reduce CPU power consumption accordingly.

[Disabled] Disable this function.

► **C1E Support [Disabled]**

Enables or disables the C1E function for power-saving in halt state. This item appears when **Intel C-State** is enabled.

[Enabled] Enables C1E function to reduce the CPU frequency and voltage for power-saving in halt state.

[Disabled] Disables this function.

► **Package C State Limit [Auto]**

This item allows you to select a CPU C-state level for power-saving when system is idle. The options of C-state depend on the installed CPU. This item appears when **Intel C-State** is enabled.

► **CFG Lock [Enabled]**

Lock or un-lock the MSR 0xE2[15], CFG lock bit.

[Enabled] Locks the CFG lock bit.

[Disabled] Un-locks the CFG lock bit.

► **Long Duration Power Limit (W) [Auto]**

Sets the long duration TDP power limit for CPU in Turbo Boost mode.

► **Long Duration Maintained (s) [Auto]**

Sets the maintaining time for Long duration power Limit(W).

► **Short Duration Power Limit (W) [Auto]**

Sets the short duration TDP power limit for CPU in Turbo Boost mode.

► **CPU Current Limit (A) [Auto]**

Sets maximum current limit of CPU package in Turbo Boost mode. When the current is over the specified value, the CPU will automatically reduce the core frequency for reducing the current.

► **Internal VR OVP OCP Protection [Auto]**

Enables or disables the over-voltage protection and over-current protection for CPU internal VR (Voltage Regulator).

[Auto] This setting will be configured automatically by BIOS.

[Enabled] Enables the limitation of internal VR for over-voltage protection and over-current protection.

[Disabled] Disables this function for overclocking.

► **Internal VR Efficiency Management [Auto]**

Enables or disables the CPU internal VR efficiency management.

[Auto] This setting will be configured automatically by BIOS.

[Enabled] Enables the VR efficiency management for power-saving control.

[Disabled] Disables this function.

# Software Description

## Installing Windows® 10

1. Power on the computer.
2. Insert the Windows® 10 disc into your optical drive.
3. Press the **Restart** button on the computer case.
4. Press **F11** key during the computer POST (Power-On Self Test) to get into Boot Menu.
5. Select your optical drive from the Boot Menu.
6. Press any key when screen shows **Press any key to boot from CD or DVD...** message.
7. Follow the instructions on the screen to install Windows® 10.

## Installing Drivers

1. Start up your computer in Windows® 10.
2. Insert MSI® Driver Disc into your optical drive.
3. The installer will automatically appear and it will find and list all necessary drivers.
4. Click **Install** button.
5. The software installation will then be in progress, after it has finished it will prompt you to restart.
6. Click **OK** button to finish.
7. Restart your computer.

## Installing Utilities

Before you install utilities, you must complete drivers installation.

1. Insert MSI® Driver Disc into your optical drive.
2. The installer will automatically appear.
3. Click **Utilities** tab.
4. Select the utilities you want to install.
5. Click **Install** button.
6. The utilities installation will then be in progress, after it has finished it will prompt you to restart.
7. Click **OK** button to finish.
8. Restart your computer.



# Inhalt

<b>Sicherheitshinweis</b> .....	<b>3</b>
<b>Spezifikationen</b> .....	<b>4</b>
<b>Rückseite E/A</b> .....	<b>12</b>
LAN Port LED Zustandstabelle .....	12
Konfiguration der Audioanschlüsse.....	12
Realtek HD Audio Manager .....	13
Antennen installieren .....	15
<b>Übersicht der Komponenten</b> .....	<b>16</b>
CPU Sockel .....	17
DIMM-Steckplätze .....	18
PCI_E1~6: PCIe Erweiterungssteckplätze .....	21
Tabelle der PCIe und M2_3 Bandbreiten.....	21
U2_1: U.2 Anschluss.....	24
M2_1~3: M.2 Steckplätze (Key M) .....	25
Installation der M.2 Xpander-Z Karte .....	27
SATA1~10: SATA 6Gb/s Anschlüsse .....	28
JFP1, JFP2: Frontpanel-Anschlüsse.....	29
OC1: GAME BOOST Drehschalter .....	30
OC_RT1: OC Retry Steckbrücke .....	31
OC_FS1: OC Force Enter BIOS Steckbrücke .....	31
JSL0W1: Slow Mode Booting Steckbrücke .....	31
CPU_PWR1~2, ATX_PWR1, JPWR1: Stromanschlüsse .....	32
JUSB1~2: USB 2.0 Anschlüsse.....	33
JUSB3~4: USB 3.1 Gen1 Anschlüsse .....	33
JUSB5: USB 3.1 Gen2 Typ-C Anschluss.....	34
CPU_FAN1, PUMP_FAN1, SYS_FAN1~4, EXS_FAN1~4: Stromanschlüsse für Lüfter .....	35
T_SEN1: Anschluss für einen Temperaturfühler.....	35
JAUD1: Audioanschluss des Frontpanels .....	36
JCI1: Gehäusekontaktanschluss .....	36
JTPM1: TPM Anschluss .....	37
JBAT1: Clear CMOS Steckbrücke (Reset BIOS) .....	37
BIOS_SW1: Multi-BIOS Schalter .....	38
POWER1, RESET1: Power-Taste, Reset-Taste.....	39
Plus, Minus Tasten: BCLK-Ratio Tasten .....	39
VRAID1: Virtual RAID auf dem CPU Anschluss.....	40
JLED1: RGB LED Anschluss.....	40

<b>Onboard-LEDs .....</b>	<b>41</b>
EZ Debug LED .....	41
PCIe x16 Steckplatz LEDs .....	41
DIMM LEDs .....	41
XMP LED .....	41
Lüfter LEDs.....	42
Lüftergeschwindigkeitsanzeigen .....	42
Multi-BIOS LEDs.....	42
JPWRLED1: Stromanschluss zur Demonstration des LED-Lichteffekts.....	42
Debug-Code-LED .....	43
Hexadezimalzeichen.....	43
Boot-Phasen.....	43
Debug-Code-LED-Tabelle .....	43
ACPI Status-Codes .....	45
CPU-Temperatur .....	45
Aktualisierung der LED-Firmware.....	46
<b>BIOS-Setup .....</b>	<b>47</b>
Öffnen des BIOS Setups.....	47
Reset des BIOS .....	48
Aktualisierung des BIOS.....	48
EZ Modus .....	50
Erweiterter Modus .....	52
OC Menü.....	53
<b>Softwarebeschreibung .....</b>	<b>61</b>
Installation von Windows® 10 .....	61
Installation von Treibern.....	61
Installation von Utilities.....	61

# Sicherheitshinweis

- Die im Paket enthaltene Komponenten sind der Beschädigung durch elektrostatischen Entladung (ESD). Beachten Sie bitte die folgenden Hinweise, um die erfolgreichen Computermontage sicherzustellen.
- Stellen Sie sicher, dass alle Komponenten fest angeschlossen sind. Lockere Steckverbindungen können Probleme verursachen, zum Beispiel: Der Computer erkennt eine Komponente nicht oder startet nicht.
- Halten Sie das Motherboard nur an den Rändern fest, und verhindern Sie die Berührung der sensiblen Komponenten.
- Um eine Beschädigung der Komponenten durch elektrostatische Entladung (ESD) zu vermeiden, sollten Sie eines elektrostatischen Armbands während der Handhabung des Motherboards tragen. Wenn kein elektrostatischen Handgelenkband vorhanden ist, sollten Sie Ihre statische Elektrizität ableiten, indem Sie ein anderes Metallobjekt berühren, bevor Sie das Motherboard anfassen.
- Bewahren Sie das Motherboard in einer elektrostatische Abschirmung oder einem Antistatiktuch auf, wenn das Motherboard nicht installiert ist.
- Überprüfen Sie vor dem Einschalten des Computers, dass sich keine losen Schrauben und andere Bauteile auf dem Motherboard oder im Computergehäuse befinden.
- Bitte starten Sie den Computer nicht, bevor die Installation abgeschlossen ist. Dies könnte permanente Schäden an den Komponenten sowie zu das Verletzung des Benutzers verursachen.
- Sollten Sie Hilfe bei der Installation benötigen, wenden Sie sich bitte an einen zertifizierten Computer-Techniker.
- Schalten Sie die Stromversorgung aus und ziehen Sie das das Stromkabel ab, bevor Sie jegliche Computer-Komponente ein- und ausbauen.
- Bewahren Sie die Bedienungsanleitung als künftige Referenz auf.
- Halten Sie das Motherboard von Feuchtigkeit fern.
- Bitte stellen Sie sicher, dass Ihre Netzspannung den Hinweisen auf dem Netzteil vor Anschluss des Netzteils an die Steckdose entspricht.
- Verlegen Sie das Netzkabel so, dass niemand versehentlich darauf treten kann. Stellen Sie nichts auf dem Netzkabel ab.
- Alle Achtungs- und Warnhinweise auf dem Motherboard müssen befolgt werden.
- Falls einer der folgenden Umstände eintritt, lassen Sie bitte das Motherboard von Kundendienstpersonal prüfen:
  - Flüssigkeit ist in dem Computer eingedrungen.
  - Das Motherboard wurde Feuchtigkeit ausgesetzt.
  - Das Motherboard funktioniert nicht richtig oder Sie können es nicht wie in der Bedienungsanleitung beschrieben bedienen.
  - Das Motherboard ist heruntergefallen und beschädigt.
  - Das Motherboard weist offensichtlich Zeichen eines Schadens auf.
- Nutzen und lagern Sie das Gerät nicht an Stellen, an denen Temperaturen von mehr als 60°C herrschen - das Motherboard kann in diesem Fall Schaden nehmen.

# Spezifikationen

<b>CPU</b>	Unterstützt die Prozessoren der Intel® Core™ X-Serie für LGA2066 Sockel
<b>Chipsatz</b>	Intel® X299 Chipsatz
<b>Speicher</b>	<ul style="list-style-type: none"> <li>• 8x DDR4 Speicherplätze, aufrüstbar bis 128GB*</li> <li>• Die 4-Kanal-Speicherarchitektur für Prozessoren mit 4-Kanal DDR4 Unterstützung**             <ul style="list-style-type: none"> <li>▪ X-Serie Prozessoren unterstützen DDR4 4133[OC]/4000[OC]/3866[OC]/3800[OC]/3733[OC]/3600[OC]/3466[OC]/3400[OC]/3333[OC]/3200[OC]/3000[OC]/2933[OC]/2800[OC]/2667/2400/2133 MHz*</li> </ul> </li> <li>• Die 2-Kanal-Speicherarchitektur für Prozessoren mit 2-Kanal DDR4 Unterstützung**             <ul style="list-style-type: none"> <li>▪ X-Serie Prozessoren unterstützen DDR4 4500[OC]/4400[OC]/4333[OC]/4266[OC]/4200[OC]/4133[OC]/4000[OC]/3866[OC]/3800[OC]/3733[OC]/3600[OC]/3466[OC]/3400[OC]/3333[OC]/3200[OC]/3000[OC]/2933[OC]/2800[OC]/2667/2400/2133 MHz*</li> </ul> </li> <li>• Unterstützt Intel® Extreme Memory Profile (XMP)</li> </ul> <p>* Weitere Informationen zu kompatiblen Speicher finden Sie unter: <a href="http://www.msi.com">www.msi.com</a></p> <p>** Nähere Informationen hierzu finden Sie im Abschnitt der DIMM-Steckplätze.</p>
<b>Erweiterungsanschlüsse</b>	<ul style="list-style-type: none"> <li>• 4x PCIe 3.0 x16-Steckplätze             <ul style="list-style-type: none"> <li>▪ Unterstützung für x16/x0/x16/x8, x8/x8/x16/x8 Modi mit einer CPU die über 44-Lanes verfügt.*</li> <li>▪ Unterstützung für x16/x0/x8/x4, x8/x8/x8/x4 Modi mit einer CPU die über 28-Lanes verfügt.*</li> <li>▪ Unterstützung für x8/x0/x4/x4 Modi mit einer CPU die über 16-Lanes verfügt.*</li> </ul> </li> <li>• 1x PCIe 3.0 x1-Steckplatz</li> </ul> <p>* Auf der Seite 21 finden Sie eine Übersicht der PCIe 3.0-Bandbreiten.</p>
<b>Multi-GPU</b>	<ul style="list-style-type: none"> <li>• Unterstützt NVIDIA® SLI™ Technologie</li> <li>• Unterstützt AMD® CrossFire™ Technologie</li> </ul>
<b>LAN</b>	<ul style="list-style-type: none"> <li>• 1x Intel I219-V Gigabit LAN Controller</li> <li>• 1x Intel I211 Gigabit LAN Controller</li> </ul>

Fortsetzung auf der nächsten Seite

Fortsetzung der vorherigen Seite

<b>Wireless LAN &amp; Bluetooth®</b>	<p>Intel® Dualband Wireless-AC 8265 Modul</p> <ul style="list-style-type: none"><li>• Der Wireless-Modul ist im M2_3 (Key-E)-Steckplatz vorinstalliert.</li><li>• Unterstützt Wi-Fi 802.11 a/b/g/n/ac, Dualband (2,4 GHz, 5 GHz) mit Datenraten von bis zu 867 Mbps.</li><li>• Unterstützt einen Dual-Modus Bluetooth® 2.1, 2.1+EDR, 3.0, 4.0, BLE, 4.2</li></ul>
<b>Aufbewahrung</b>	<p>Intel® X299 Chipsatz</p> <ul style="list-style-type: none"><li>• 10x SATA 6Gb/s Anschlüsse*</li><li>• 3x M.2 Steckplätze (Key M)*<ul style="list-style-type: none"><li>▪ Die M2_1, M2_2 Steckplätze unterstützen die 2242/ 2260 /2280/ 22110 Speichergeräte<ul style="list-style-type: none"><li>• Unterstützt bis zu PCIe 3.0 x4 und SATA 6Gb/s</li></ul></li><li>▪ Der M2_3 Steckplatz unterstützt die 2242/ 2260 /2280 Speichergeräte<ul style="list-style-type: none"><li>• Unterstützt bis zu PCIe 3.0 x4</li></ul></li><li>▪ Intel® Optane™ Technik für M2_1, M2_2 Steckplätze **</li></ul></li><li>• 1x U.2 Anschluss *<ul style="list-style-type: none"><li>▪ Unterstützt PCIe 3.0 x4 NVMe Aufbewahrung</li></ul></li><li>• Unterstützt Intel® Smart Response Technologie***</li></ul> <p>* Die M.2 Steckplätze und die SATA Anschlüsse teilen die dieselbe Bandbreite. Auf der Seite 28 finden Sie die M.2 &amp; SATA Kombinationstabelle. ** Weitere Informationen finden Sie die Konfigurationsanleitung des Intel® Optane™ Speicher auf der MSI Website. ***Diese Funktion wird abhängig von der CPU unterstützt.</p>
<b>RAID</b>	<p>Intel® X299 Chipsatz</p> <ul style="list-style-type: none"><li>• Unterstützt RAID 0, RAID1, RAID 5 und RAID 10 für die SATA Speichergeräte</li><li>• Unterstützt RAID 0 und RAID1 für die M.2 PCIe Speichergeräte*</li></ul> <p>* Das M.2 PCIe RAID-Volumen kann ganz einfach mit M.2 GENIE erstellt werden.</p>

Fortsetzung auf der nächsten Seite

Fortsetzung der vorherigen Seite

<b>USB</b>	<ul style="list-style-type: none"><li>• ASMedia® ASM3142 Chipsatz<ul style="list-style-type: none"><li>▪ 3x USB 3.1 Gen2 (SuperSpeed USB 10Gbps) Anschlüsse (1 Typ-A Anschluss und 1 Typ-C Anschluss an der rückseitigen Anschlussleiste, 1 Typ-C Anschluss steht durch die internen USB Anschluss zur Verfügung)</li></ul></li><li>• ASMedia® ASM1074 Chipsatz<ul style="list-style-type: none"><li>▪ 6x USB 3.1 Gen1 (SuperSpeed USB) Anschlüsse an der rückseitigen Anschlussleiste</li></ul></li><li>• Intel® X299 Chipsatz<ul style="list-style-type: none"><li>▪ 4x USB 3.1 Gen1 (SuperSpeed USB) Anschlüsse stehen durch die internen USB Anschluss zur Verfügung</li><li>▪ 6x USB 2.0 (High-speed USB) Anschlüsse (2 Typ-A Anschlüsse an der rückseitigen Anschlussleiste, 4 pAnschlüsse stehen durch die internen USB Anschluss zur Verfügung)</li></ul></li></ul>
<b>Hintere Ein- und Ausgänge</b>	<ul style="list-style-type: none"><li>• 1x Clear CMOS Taste</li><li>• 1x Flash BIOS Taste</li><li>• 1x PS/2 Tastatur/ Maus-Combo-Anschluss</li><li>• 2x USB 2.0 Typ-A Anschlüsse<ul style="list-style-type: none"><li>▪ 1x Flash BIOS Anschluss</li></ul></li><li>• 6x USB 3.1 Gen1 Typ-A Anschlüsse</li><li>• 2x LAN (RJ45) Anschlüsse</li><li>• 1x USB 3.1 Gen2 Typ-A Anschluss</li><li>• 1x USB 3.1 Gen2 Typ-C Anschluss</li><li>• 2x WiFi Antennenanschlüsse</li><li>• 5x OFC Audiobuchsen</li><li>• 1x Optischer S/PDIF-Ausgang</li></ul>

Fortsetzung auf der nächsten Seite

Fortsetzung der vorherigen Seite

<b>Interne Anschlüsse</b>	<ul style="list-style-type: none"><li>• 1x 24-poliger ATX Stromanschluss</li><li>• 1x 8-poliger ATX12V Stromanschluss</li><li>• 1x 4-poliger ATX12V Stromanschluss</li><li>• 1x 4-poliger ATX12V Flachstromanschluss*</li><li>• 10x SATA 6Gb/s Anschlüsse</li><li>• 2x USB 2.0 Anschlüsse (unterstützt zusätzliche 4 USB 2.0-Ports)</li><li>• 2x USB 3.1 Gen1 Anschlüsse (unterstützt zusätzliche 4 USB 3.1 Gen1-Ports)</li><li>• 1x USB 3.1 Gen2 Typ-C Anschluss</li><li>• 1x 4-poliger CPU-Lüfter-Anschluss</li><li>• 1x 4-poliger Anschluss für die Wasserpumpe</li><li>• 4x 4-polige System-Lüfter-Anschlüsse</li><li>• 4x 4-polige erweiterte Lüfteranschlüsse</li><li>• 2x Frontpanel-Anschlüsse</li><li>• 1x Audioanschluss des Frontpanels</li><li>• 1x RGB LED Anschluss</li><li>• 1x TPM Anschluss</li><li>• 1x Virtual RAID auf dem CPU Anschluss</li><li>• 1x 2-poliger Anschluss für einen Temperaturfühler</li></ul> <p>* Er bietet zusätzliche Leistung für PCIe x16-Steckplätze.</p>
<b>Interne Tasten</b>	<ul style="list-style-type: none"><li>• 1x GAME BOOST Drehschalter</li><li>• 1x Power-Taste</li><li>• 1x Reset-Taste</li><li>• 1x BCLK+/ Ratio+ Taste</li><li>• 1x BCLK-/ Ratio- Taste</li></ul>
<b>Schalter</b>	<ul style="list-style-type: none"><li>• 1x Multi-BIOS Schalter</li></ul>

Fortsetzung auf der nächsten Seite

Fortsetzung der vorherigen Seite

<b>Steckbrücke</b>	<ul style="list-style-type: none"><li>• 1x Clear CMOS Steckbrücke</li><li>• 1x OC Retry Anschluss</li><li>• 1x OC Force Enter BIOS Anschluss</li><li>• 1x Gehäusekontaktschalter</li><li>• 1x Slow Mode Steckbrücke</li></ul>
<b>Debug LED</b>	<ul style="list-style-type: none"><li>• 1x 2-Digit Debug Code LED</li></ul>
<b>Audio</b>	<ul style="list-style-type: none"><li>• Realtek® ALC1220 Codec</li><li>• 7.1-Kanal-HD-Audio</li><li>• Unterstützt S/PDIF-Ausgang</li></ul>
<b>E/A Anschluss</b>	NUVOTON NCT6795 Controller Chip
<b>Hardware Monitor</b>	<ul style="list-style-type: none"><li>• CPU/System Temperaturerfassung</li><li>• CPU/System Geschwindigkeitserfassung</li><li>• CPU/System Lüfterdrehzahlregelung</li></ul>
<b>Formfaktor</b>	<ul style="list-style-type: none"><li>• EATX Formfaktor</li><li>• 12 Zoll x 10,7 Zoll (30,5 cm x 27,2 cm)</li></ul>
<b>BIOS Funktionen</b>	<ul style="list-style-type: none"><li>• 2x 128 Mb Flash</li><li>• UEFI AMI BIOS</li><li>• ACPI 6.0, SM BIOS 3.0</li><li>• Mehrsprachenunterstützung</li></ul>

Fortsetzung auf der nächsten Seite

Fortsetzung der vorherigen Seite

**Software**

- Treiber
- APP MANAGER
- COMMAND CENTER
- LIVE UPDATE 6
- SMART TOOL
- DRAGON EYE
- GAMING APP
- X-BOOST
- MYSTIC LIGHT
- RAMDISK
- GAMING LAN MANAGER
- DPC LATENCY TUNER
- FAST BOOST
- SUPER CHARGER
- Nahimic Audio
- XSplit Gamecaster V2
- SteelSeriesEngine 3
- WtFast
- CPU-Z MSI GAMING
- Intel Extreme Tuning Utility
- Norton™ Internet Security Solution
- Google Chrome™, Google Toolbar, Google Drive
- TriDef® VR
- TriDef® SmartCam

Fortsetzung auf der nächsten Seite

Fortsetzung der vorherigen Seite

**Besondere  
Funktionen**

- Audio
  - Audio Boost 4
  - Nahimic 2
- Netzwerk
  - GAMING LAN mit Gaming LAN Manager
  - Dual LAN
  - Intel WiFi
- Speicherung
  - Turbo U.2
  - Triple Turbo M.2
- Lüfter
  - Pump-Lüfter
  - Smart-Lüftersteuerung
- LED
  - Mystic Light
  - Mystic Light Extension
  - Mystic Light SYNC
  - EZ DEBUG LED
- Schutz
  - DDR4 Steel Armor
  - M.2 Abdeckung FROZR
  - M.2 Abdeckung
  - Steel Backplate
  - PCI-E Steel Armor
  - U.2 Steel Armor
  - M.2 Steel Armor
  - VR Cover

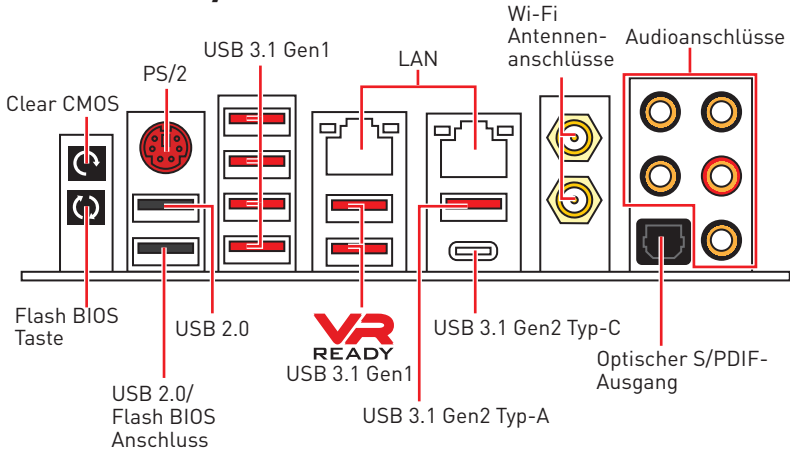
Fortsetzung auf der nächsten Seite

Fortsetzung der vorherigen Seite

## Besondere Funktionen

- Leistung
  - Multi GPU – SLI Technologie
  - Multi GPU – CrossFire Technologie
  - DDR4 Boost
  - GAME Boost
  - OC Engine
  - Lightning USB
  - Front Lightning USB
  - USB Anschluss mit Typ A+C
- Stabilität
  - Military Class 6
  - 7000+ Quality Test
- VR
  - VR Boost
  - VR Ready
- Gamer Experience
  - GAMING HOTKEY
- GAMING Maussteuerung
- BIOS
  - Click BIOS 5
  - Flash BIOS
  - Dual BIOS
- Zertifizierung
  - Quadro SLI Ready
  - Quadro Ready
  - GAMING Certified
  - SteelSeries Certified

# Rückseite E/A



- **Clear CMOS Taste** - Schalten Sie den Computer aus. Halten Sie die Taste „Clear CMOS“ für 5-10 Sekunden gedrückt, um das BIOS auf die Standardwerte zurückzusetzen.
- **Flash BIOS Anschluss/ Taste** - Auf der Seite 49 finden Sie eine Anleitung für eine BIOS-Aktualisierung per Flash BIOS.

## LAN Port LED Zustandstabelle

Verbindung/ Aktivität LED			Geschwindigkeit LED	
Zustand	Bezeichnung		Zustand	Bezeichnung
Aus	Keine Verbindung	Aus	10 Mbps-Verbindung	
Gelb	Verbindung	Grün	100 Mbps-Verbindung	
Blinkt	Datenaktivität	Orange	1 Gbps-Verbindung	

## Konfiguration der Audioanschlüsse

Audioanschlüsse	Kanal			
	2	4	6	8
Mitte-/ Subwoofer-Ausgang			●	●
Hinterer Lautsprecher		●	●	●
Line-In/ Seitliche Lautsprecher				●
Line-Out/ Vorderer Lautsprecher	●	●	●	●
Mic-In				

(●: verbindet, **Blank**: leer)

# Realtek HD Audio Manager

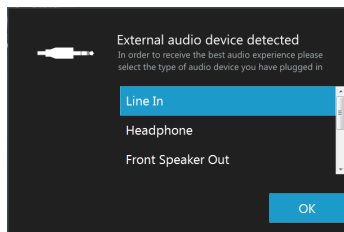
Nach der Installation des **Realtek HD Audio**-Treibers, wird das Symbol **Realtek HD Audio Manager** in der Taskleiste angezeigt. Klicken Sie doppelt auf dieses Symbol, um das Programm zu starten.



- **Geräteauswahl** - Ermöglicht die Auswahl der Audio-Ausgangs Quelle. Das aktuell aktivierte Gerät ist mit einem Haken gekennzeichnet.
- **Optimierungen** - Die Vielfalt an Optionen bietet eine komplette Anleitung von erwarteten Sound-Effekt für beide Ausgangs- und Eingangsvorrichtung.
- **Lautstärke** - Steuert die Lautstärke und die Balance-Einstellung der Lautsprecher, die im Front-Panel oder auf der Rückseite des PCs eingesteckt sind.
- **Profil** - Ermöglicht die Umschaltung zwischen den Profilen.
- **Erweiterte Einstellungen** - Ermöglicht die zeitgleiche Verwendung von zwei Audiostreams.
- **Verbindungsstatus** - Bildet die angeschlossenen Render- und Capture-Geräte ab.
- **Anschlüsse** - Konfiguriert die Anschlüsseinstellungen.

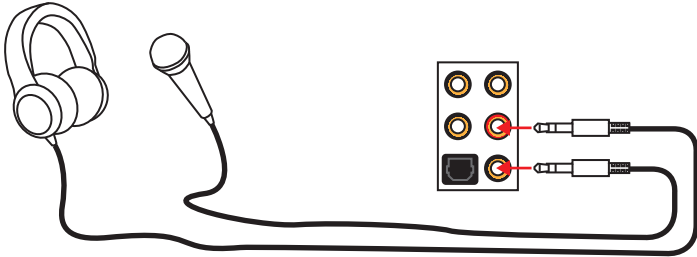
## Auto Popup-Dialog

Nach dem Anschluss eines Audio-Klinkensteckers erscheint ein Dialogfenster und fragt nach einer Bestätigung für das angeschlossene Gerät.

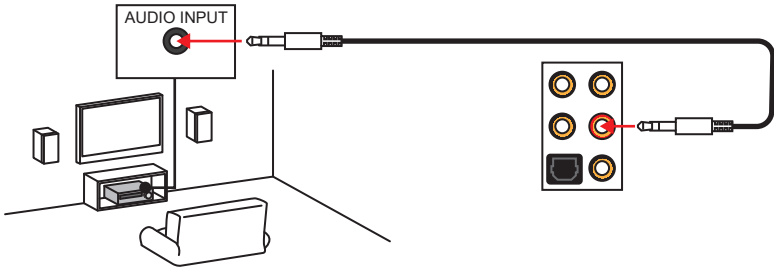


Jede Buchse entspricht diesem Wert der Grundeinstellung, wie es auf den nächsten Seiten gezeigt wird.

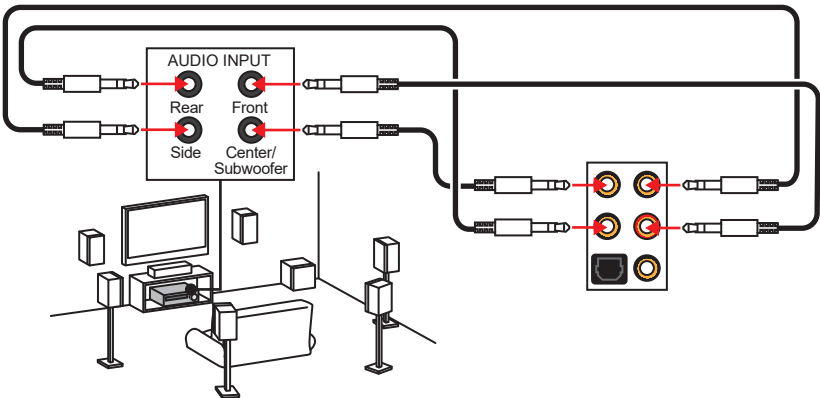
### Audiobuchsen für den Anschluss von einem Kopfhörer und Mikrophon



### Audiobuchsen für Stereo-Lautsprecher

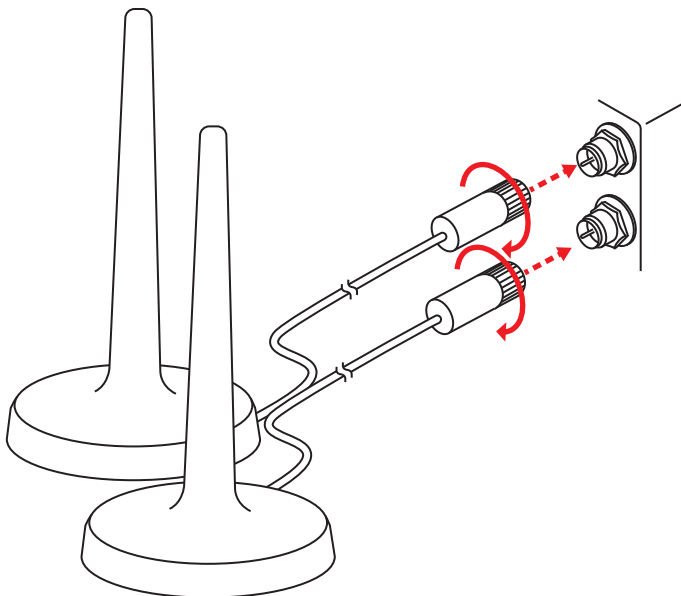


### Audiobuchsen für 7,1 Kanal Anlage

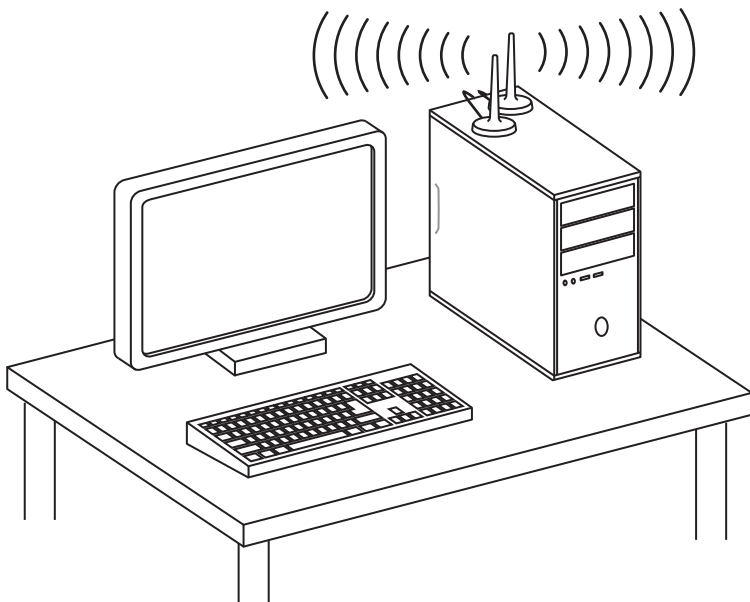


## Antennen installieren

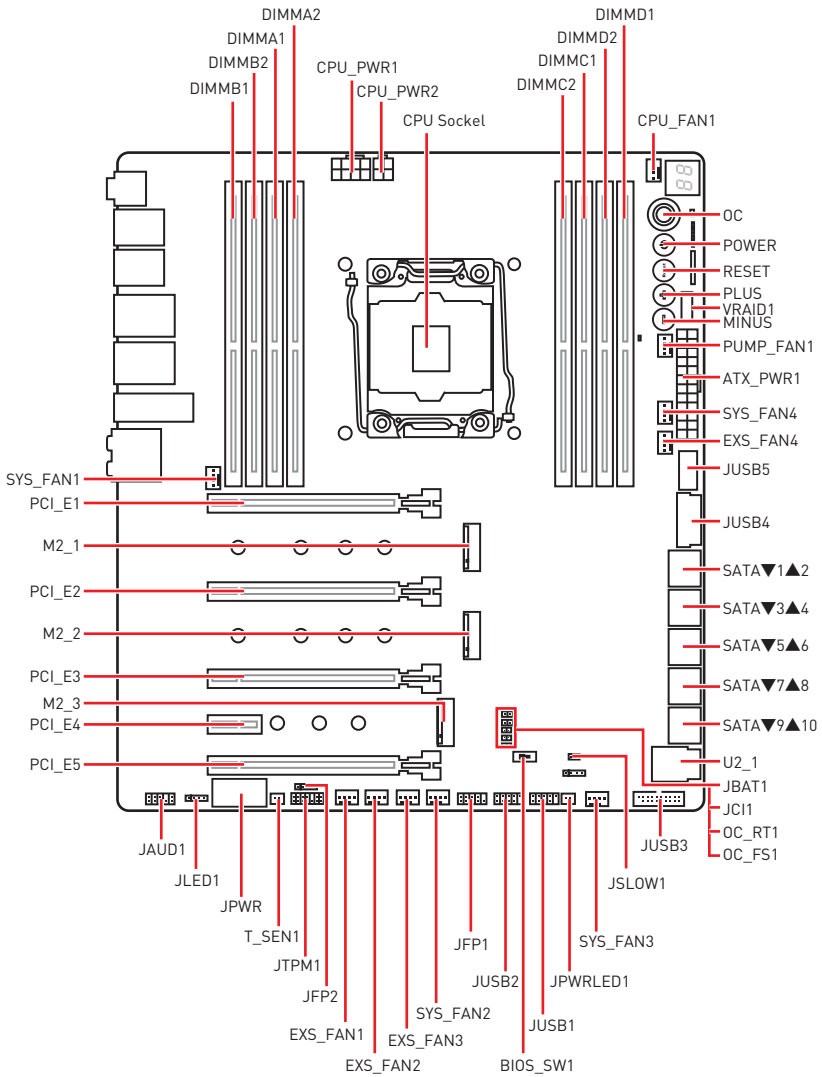
1. Schrauben Sie, wie gezeigt, die Antennen fest an die WiFi Antennenanschlüsse.



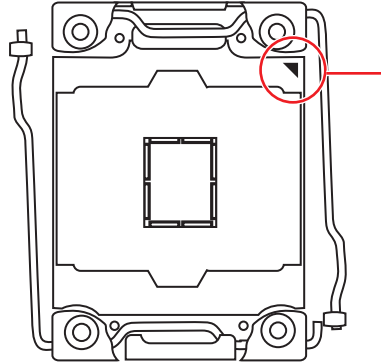
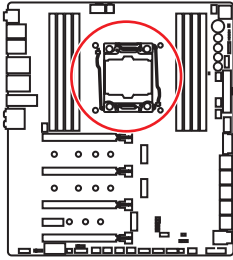
2. Positionieren Sie die Antennen so hoch wie möglich.



# Übersicht der Komponenten

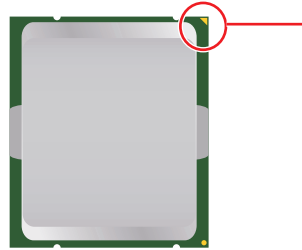


## CPU Socket



### Erklärung zur LGA 2066 CPU

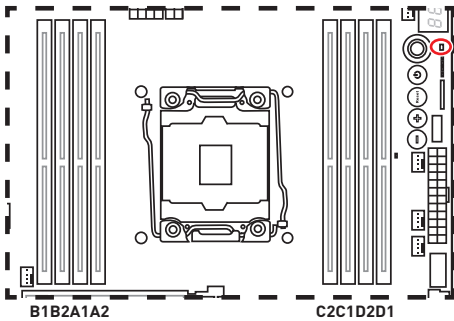
Die Oberseite der LGA 2066 CPU hat vier Justierungen und ein gelbes Dreieck um die korrekte Ausrichtung der CPU auf dem Motherboard zu gewährleisten. Das gelbe Dreieck des Prozessors definiert die Position des ersten Pins.



### Wichtig

- Ziehen Sie das Netzkabel ab, bevor Sie die CPU ein- und ausbauen.
- Bitte bewahren Sie die CPU Schutzkappe nach der Installation des Prozessors auf. MSI wird RMA (Return Merchandise Authorization) Anfragen nur dann behandeln, wenn die Schutzkappe auf dem CPU-Sockel des Motherboards sitzt.
- Wenn Sie eine CPU einbauen, denken sie bitte daran, einen CPU-Kühler zu installieren. Ein CPU-Kühlkörper ist notwendig, um eine Überhitzung zu vermeiden und die Systemstabilität zu gewährleisten.
- Stellen Sie sicher, dass Ihr Kühlkörper eine feste Verbindung mit der CPU hergestellt hat, bevor Sie Ihr System starten.
- Überhitzung beschädigt die CPU und das System nachhaltig. Stellen Sie stets eine korrekte Funktionsweise des CPU Kühlers sicher, um die CPU vor Überhitzung zu schützen. Stellen Sie sicher, dass eine gleichmäßige Schicht thermischer Paste oder thermischen Tapes zwischen der CPU und dem Kühlkörper vorhanden ist, um die Wärmeableitung zu erhöhen.
- Schützen Sie den CPU-Sockel immer mit der Plastikabdeckung, wenn keine CPU installiert ist.
- Verwenden Sie bitte die Installationsanweisung des Kühlkörpers/Kühlers, falls Sie eine separate CPU oder einen Kühlkörper/ Kühler erworben haben.
- Dieses Motherboard wurde so entworfen, dass es Übertakten unterstützt. Stellen Sie jedoch bitte sicher, dass die betroffenen Komponenten mit den abweichenden Einstellungen während des Übertaktens zurecht kommen. Von jedem Versuch des Betriebes außerhalb der Produktspezifikationen kann nur abgeraten werden. MSI übernimmt keinerlei Garantie für die Schäden und Risiken, die aus einem unzulässigem Betrieb oder einem Betrieb außerhalb der Produktspezifikation resultieren.

## DIMM-Steckplätze



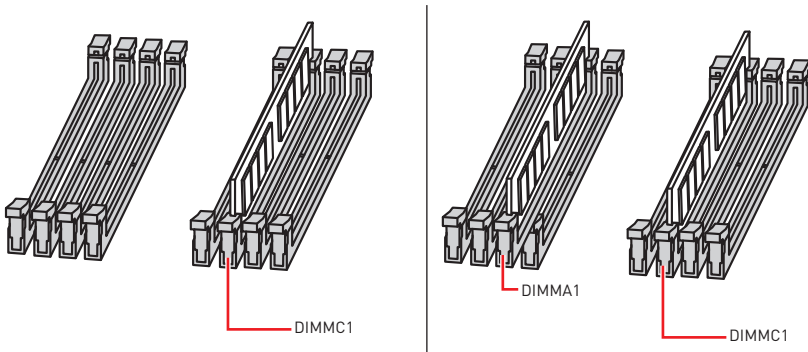
**S/K LED** : Die S/K LED zeigt an ob die installierte CPU 4-Kanal- oder 2-Kanal-Speicherarchitektur unterstützt.

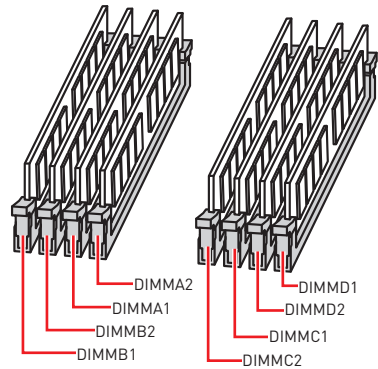
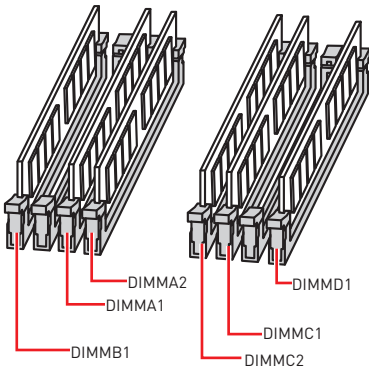
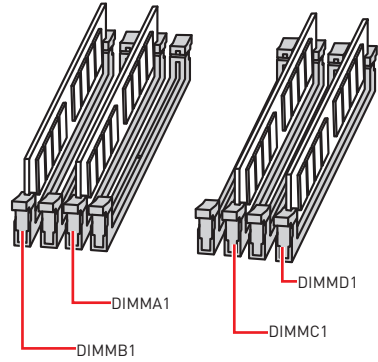
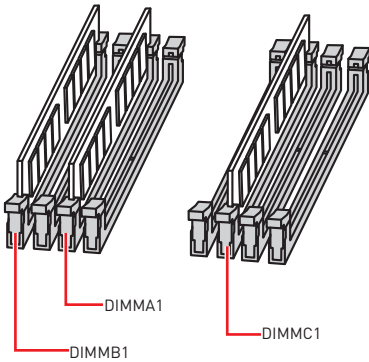
 Rot = 8 DIMMs-Unterstützung (4-Kanal CPU-Architektur)

 Weiß = 4 DIMMs-Unterstützung (2-Kanal CPU-Architektur)

## Speichermodul-Installationsempfehlung (4-Kanal CPU-Architektur)

	B1	B2	A1	A2	Intel Core X-Serie CPU	C2	C1	D2	D1
1 DIMM					Unterstützt 4-Kanal Speicherarchitektur		✓		
2 DIMMs			✓				✓		
3 DIMMs	✓		✓				✓		
4 DIMMs	✓		✓				✓		✓
5 DIMMs	✓		✓				✓	✓	✓
6 DIMMs	✓		✓	✓			✓	✓	✓
7 DIMMs	✓	✓	✓	✓			✓	✓	✓
8 DIMMs	✓	✓	✓	✓			✓	✓	✓





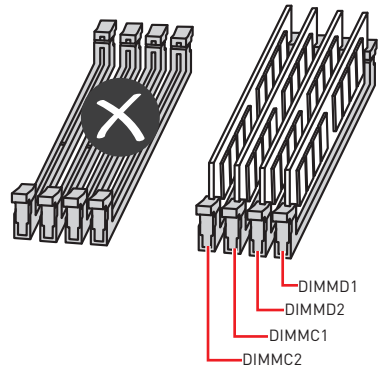
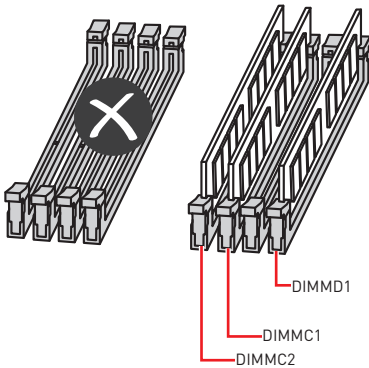
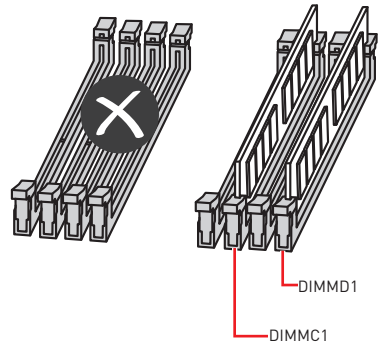
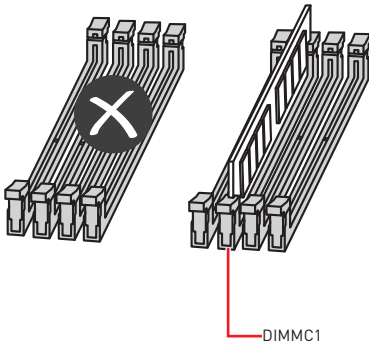
**! Wichtig**

- Um einen sicheren Systemstart zu gewährleisten, bestücken Sie immer **DIMMC1** zuerst.
- Stellen Sie im Dual-/ Triple-/ Quad-Kanal-Modus bitte sicher, dass Sie Module des gleichen Typs und identischer Speicherdichte in den DIMM Slots unterschiedlicher Kanäle verwenden. Für jeden Kanal muss zuerst die ungerade Anzahl der DIMM-Steckplätze installiert werden.
- Aufgrund der Chipsatzressourcennutzung wird die verfügbare Kapazität des Speichers kleiner sein als die Größe der installierten Speicherkapazität.
- Basierend auf der Intel CPU Spezifikation wird eine Speicherspannung unter 1,35 Volt vorgeschlagen, um die CPU zu schützen.
- Bitte beachten Sie, dass die maximale Kapazität eines 32-Bit-Windows-Betriebssystem bei 4GB oder weniger liegt. Wenn Sie mehr als 4 GB Speicher auf dem Motherboard einbauen möchten, empfehlen wir deshalb, ein 64-Bit-Windows-Betriebssystem zu installieren.
- Es wird empfohlen, ein effizienteres Speicherkühlsystem bei einer Vollbestückung des DIMMs oder beim Übertakten zu verwenden.
- Die Stabilität und Kompatibilität beim Übertakten der installierten Speichermodule sind abhängig von der installierten CPU und den installierten Geräten.

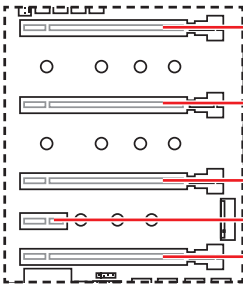
## Speichermodul-Installationsempfehlung (2-Kanal CPU-Architektur)

	B1	B2	A1	A2	Intel Core X-Serie CPU	C2	C1	D2	D1
1 DIMM					Unterstützt 2-Kanal Speicherarchitektur		✓		
2 DIMMs							✓		✓
3 DIMMs						✓	✓		✓
4 DIMMs						✓	✓	✓	✓

DIMMB1, B2, A1 und A2 sind nicht verfügbar



## PCI\_E1~6: PCIe Erweiterungssteckplätze



**PCI\_E1:** PCIe 3.0 x16 (CPU Lanes)

**PCI\_E2:** PCIe 3.0 x8 (CPU Lanes)

**PCI\_E3:** PCIe 3.0 x16 (CPU Lanes)

**PCI\_E4:** PCIe 3.0 x1 (PCH Lanes)

**PCI\_E5:** PCIe 3.0 x8 (CPU Lanes)

## Tabelle der PCIe und M2\_3 Bandbreiten

Für eine 44-Lane CPU

Graphikkarte	Einzel	2-Wege	3-Wege*	3-Wege	4-Wege
PCI_E1	Ⓜ 3.0 x16	Ⓜ 3.0 x16	Ⓜ 3.0 x16	Ⓜ 3.0 x8	Ⓜ 3.0 x8
PCI_E2	3.0 x8	3.0 x8	—	Ⓜ 3.0 x8	Ⓜ 3.0 x8
PCI_E3	3.0 x16	Ⓜ 3.0 x16	Ⓜ 3.0 x16	Ⓜ 3.0 x16	Ⓜ 3.0 x16
PCI_E4	3.0 x1	3.0 x1	3.0 x1	3.0 x1	3.0 x1
PCI_E5	3.0 x8	3.0 x8	Ⓜ 3.0 x8	3.0 x8	Ⓜ 3.0 x8
M2_3	3.0 x4	3.0 x4	3.0 x4	3.0 x4	3.0 x4

(Ⓜ: Steckplatz für Grafikkarte, —: Nicht verfügbar, \*: Beste Kombination)

Für eine 28-Lane CPU

Graphikkarte	Einzel*	Einzel	2-Wege*		2-Wege		3-Wege*		3-Wege
PCI_E1	Ⓜ 3.0 x16	Ⓜ 3.0 x16	Ⓜ 3.0 x16		Ⓜ 3.0 x8		Ⓜ 3.0 x8		Ⓜ 3.0 x8
PCI_E2	3.0 x8	3.0 x8	—		3.0 x8		Ⓜ 3.0 x8		Ⓜ 3.0 x8
PCI_E3	3.0 x8	3.0 x8	Ⓜ 3.0 x8		Ⓜ 3.0 x8		Ⓜ 3.0 x8		Ⓜ 3.0 x8
PCI_E4	3.0 x1	3.0 x1	3.0 x1		3.0 x1		3.0 x1		3.0 x1
PCI_E5	3.0 x4	—	3.0 x4	—	3.0 x4	—	3.0 x4		—
M2_3	—	3.0 x4	—	3.0 x4	—	3.0 x4	—		3.0 x4

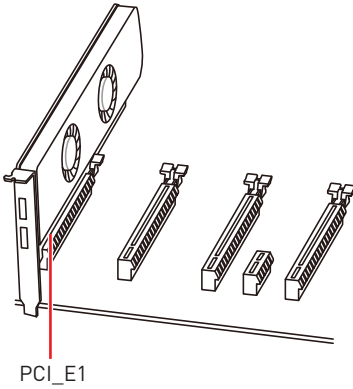
(Ⓜ: Steckplatz für Grafikkarte, —: Nicht verfügbar, \*: Beste Kombination)

Für eine 16-Lane CPU

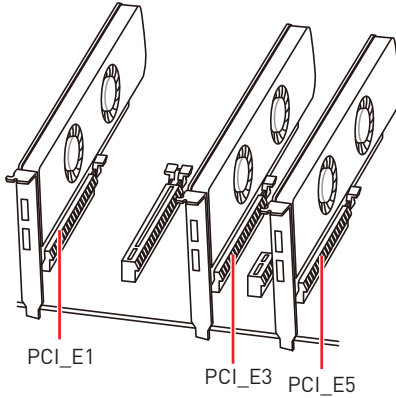
Graphikkarte	Einzel*	Einzel
PCI_E1	Ⓜ 3.0 x8	Ⓜ 3.0 x8
PCI_E2	—	—
PCI_E3	3.0 x4	3.0 x4
PCI_E4	3.0 x1	3.0 x1
PCI_E5	3.0 x4	—
M2_3	—	3.0 x4

(Ⓜ: Steckplatz für Grafikkarte, —: Nicht verfügbar, \*: Beste Kombination)

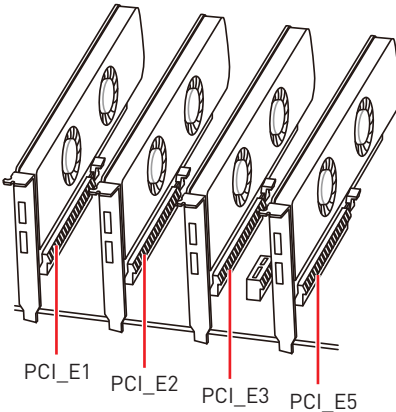
## Mehrere Grafikkarten Einbauempfehlung



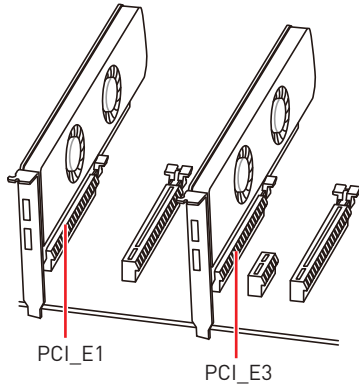
### Für eine 44-Lane CPU



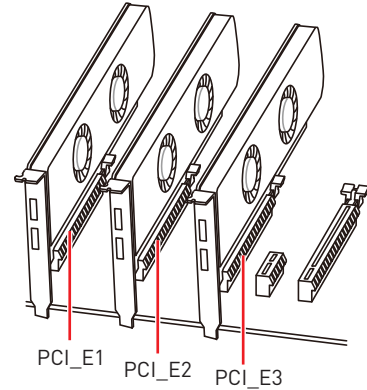
### Für eine 44-Lane CPU



### Für eine 44-Lane & eine 28-Lane CPU



### Für eine 28-Lane CPU



### **Wichtig**

Wenn Sie eine große und schwere Grafikkarte einbauen, benötigen Sie einen **Grafikkarten-Stabilisator (Graphics Card Bolster)** der das Gewicht trägt und eine Verformung des Steckplatzes vermeidet.

## **Wichtig**

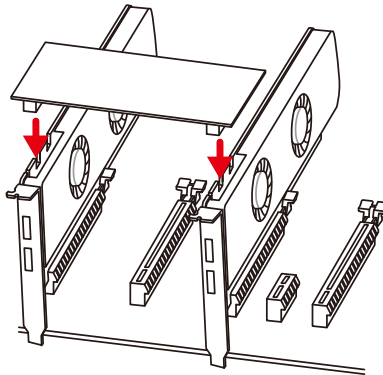
- Für die Installation einer einzelnen PCIe x16 Erweiterungskarte mit optimaler Leistung, empfehlen wir den **PCI\_E1** Steckplatz zu verwenden.
- Achten Sie darauf, dass Sie den Strom abschalten und das Netzkabel aus der Steckdose herausziehen, bevor Sie eine Erweiterungskarte installieren oder entfernen. Lesen Sie bitte auch die Dokumentation der Erweiterungskarte, um notwendige zusätzliche Hardware oder Software-Änderungen zu überprüfen.

## Einbau von SLI-Grafikkarten

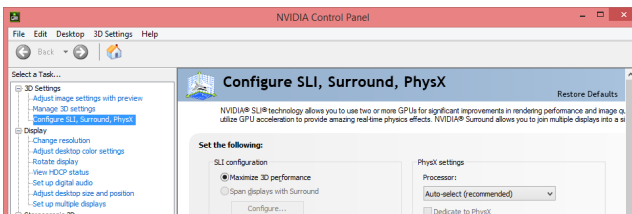
Stellen Sie eine ausreichende Stromversorgung für SLI-Konfigurationen sicher. Die notwendigen Informationen können Sie aus dem Handbuch Ihrer Grafikkarte entnehmen.

Installation der SLI-Grafikkarten:

1. Schalten Sie Ihren Computer aus und ziehen Sie die Kabel ab. Installieren Sie Ihre Grafikkarten im **PCI\_E1** und **PCI\_E3** Slot.
2. Verbinden Sie beide Karten mit einer **SLI-Brücke**.

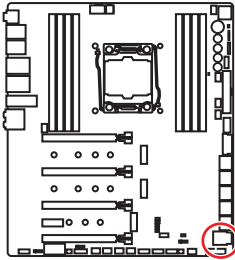


3. Verbinden Sie alle PCIe-Stromanschlüsse der Grafikkarten.
4. Schließen Sie das Netzkabel wieder an und schalten Sie den Computer ein. Installieren Sie die Treiber und die Software, die im Lieferumfang Ihrer Grafikkarten enthalten sind.
5. Klicken Sie in Ihrem Windows-Desktop auf die rechte Maustaste, und wählen Sie **NVIDIA Control Panel** aus dem Menü aus. Klicken Sie auf **Configure SLI, Surround, PhysX** im linken Task-Fensterbereich und wählen Sie **Maximize 3D performance** im SLI-Konfigurationsmenü aus, und klicken Sie dann auf **Anwenden (Apply)**.



## U2\_1: U.2 Anschluss

Dieser Anschluss ist ein U.2 Schnittstellenmodul. Pro Anschluss kann ein PCIe 3.0 x4 NVMe Speichergerät angeschlossen werden.

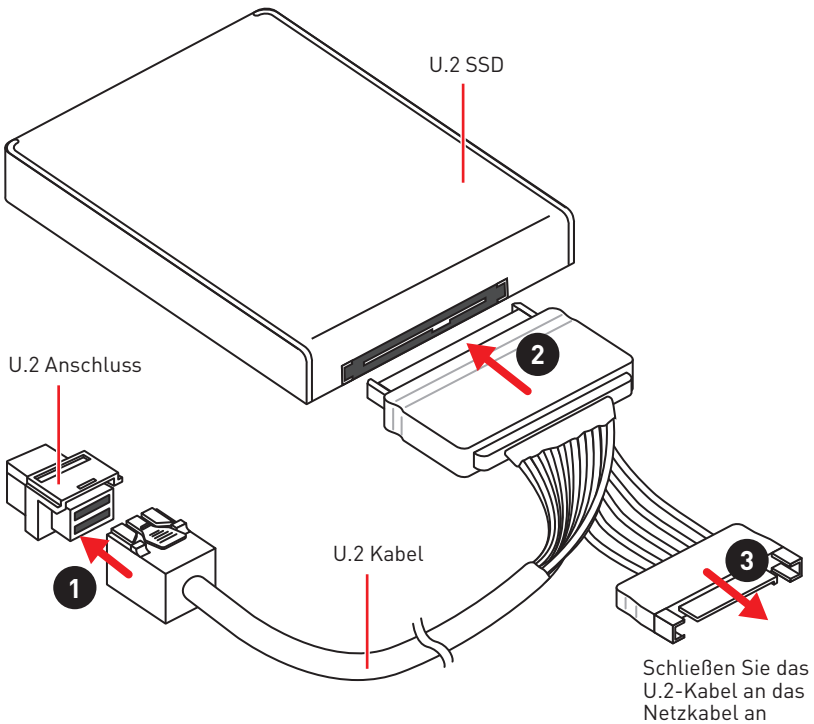


### Video-Demonstration

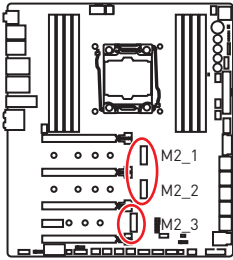
Eine anschauliche Darstellung zur Installation einer U.2 SSD finden Sie im Video: <http://youtu.be/KgFvKDxymw>

### Installation einer U.2 SSD

1. Schließen Sie das U.2-Kabel an die U.2-Steckverbindung des Motherboards an.
2. Schließen Sie das U.2-Kabel an der U.2 SSD an.
3. Schließen Sie das U.2-Kabel an das Netzkabel an.



## M2\_1~3: M.2 Steckplätze (Key M)



### ! Wichtig

- Intel® RST unterstützt nur PCIe M.2 SSD mit UEFI ROM.
- Intel® Optane™ Technik unterstützt die M2\_1, M2\_2 Steckplätze.
- Der M2\_3 Steckplatz unterstützt nur die PCIe 3.0 -Schnittstelle.

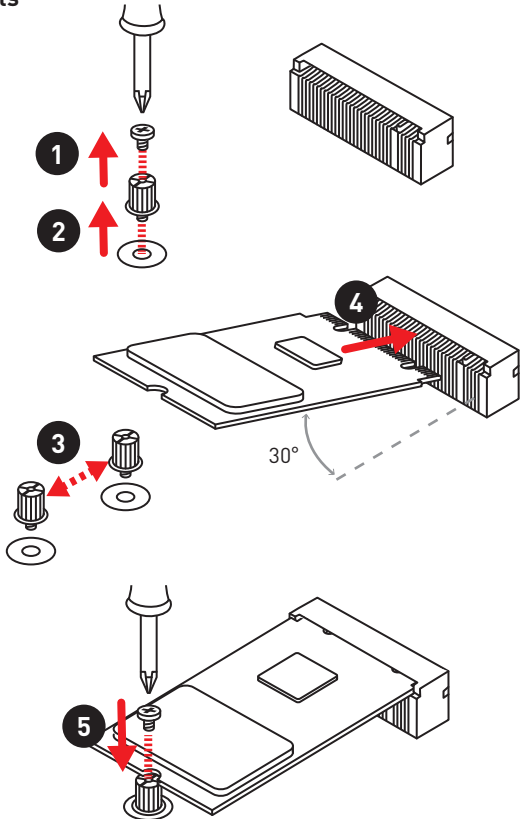


### ▶ Video-Demonstration

Eine anschauliche Darstellung zur Installation eines M.2 Moduls finden Sie im Video: <http://youtu.be/JCTFABytrYA>

## Installation eines M.2 Moduls

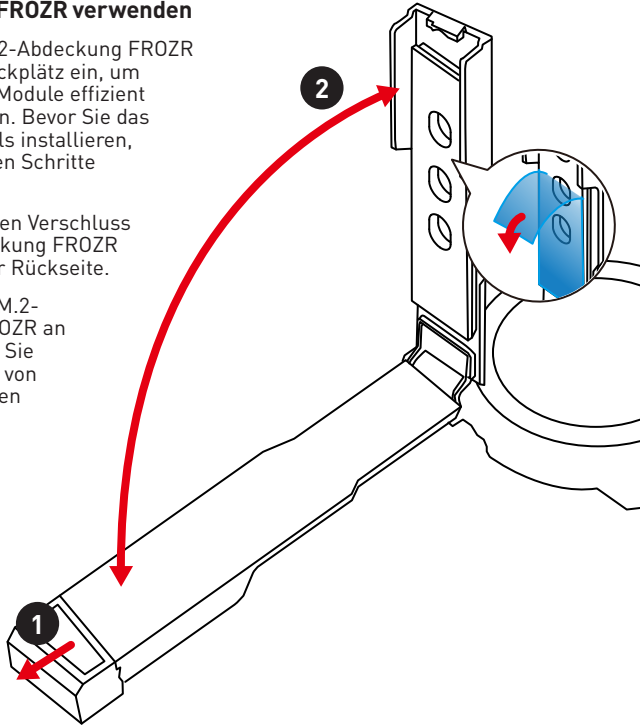
1. Entfernen Sie die Schraube aus dem Schraubsockel.
2. Entfernen Sie den Schraubsockel.
3. Befestigen Sie den Schraubsockel in dem Loch, welches zur Länge des M.2 Moduls passt.
4. Stecken Sie das M2-Modul in den M2-Steckplatz in einem 30-Grad-Winkel.
5. Setzen Sie die Schraube in die Ausparung an der Hinterkante des M2-Modul und schrauben Sie sie in den Schraubsockel.



## M.2-Abdeckung FROZR verwenden

Wir setzen eine M.2-Abdeckung FROZR auf dem M2\_1-Steckplatz ein, um die Abwärme der Module effizient abführen zu können. Bevor Sie das M.2-Modul erstmals installieren, sollten Sie die unten Schritte ausführen:

1. Schieben Sie den Verschluss der M.2-Abdeckung FROZR in Richtung der Rückseite.
2. Heben Sie die M.2-Abdeckung FROZR an und entfernen Sie die Schutzfolie von den thermischen Klebepads.

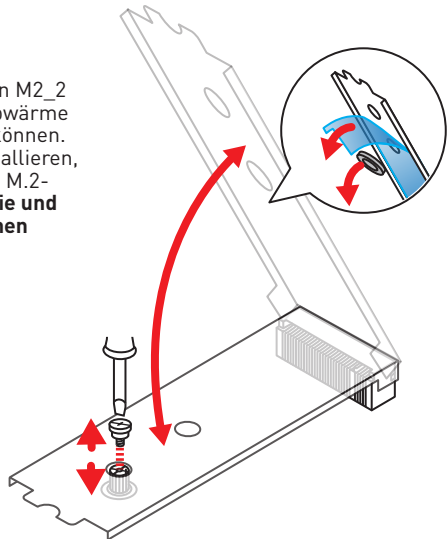


## M.2-Abdeckung verwenden

Wir setzen eine M.2-Abdeckung auf den M2\_2 und M2\_3-Steckplätzen ein, um die Abwärme des M.2-Moduls effizient abführen zu können. Bevor Sie das M.2-Modul erstmals installieren, sollten Sie die Schraube entfernen, die die M.2-Abdeckung anhebt und **die Schutzfolie und den runden Gummi von den thermischen Klebepads entfernen.**



*Falls Sie die M.2-Abdeckung nicht benötigen, können Sie diese problemlos entfernen.*

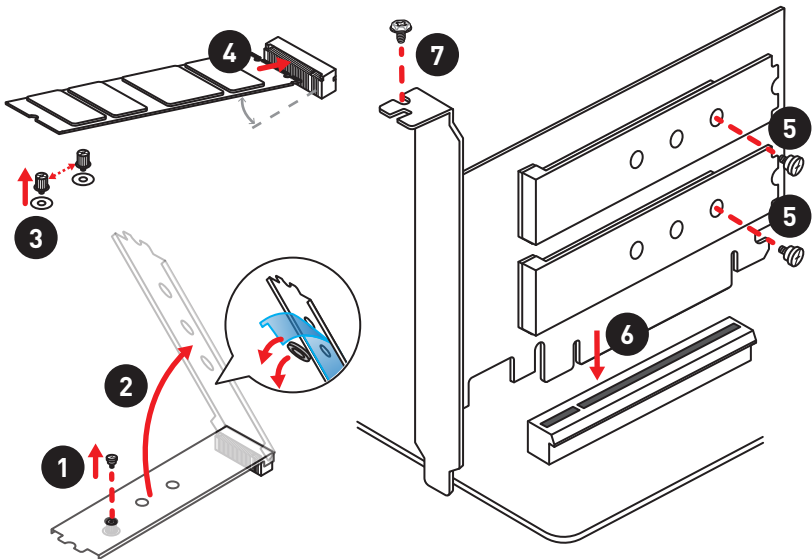


## Installation der M.2 Xpander-Z Karte

Die M.2 Xpander-Z Karte bietet zwei M.2 Key-M Steckplätze.

To install the M.2 Xpander-Z card:

1. Entfernen Sie die Schrauben der beiden M.2-Abdeckungen.
2. Heben Sie jeweils die M.2-Abdeckung an und entfernen Sie die Schutzfolie und den runden Gummi von den thermischen Klebepads.
3. Wählen Sie die Montageposition entsprechend Ihrer M.2 SSD Länge.
4. Stecken Sie die M.2 SSDs in einem 30 Grad-Winkel in die M.2- Steckplätze.
5. Drücken Sie die M.2 SSDs und die M.2-Abdeckungen nach unten und befestigen Sie sie mit den Schrauben an der Montageposition.
6. Stecken Sie die M.2 Xpander-Z Karte in den PCIe-Steckplatz.
  - Für eine 44-Lane CPU - Stecken Sie sie in den PCI\_E3- oder PCI\_E5-Steckplatz.
  - Für eine 28-Lane CPU - Stecken Sie sie in den PCI\_E2- oder PCI\_E3-Steckplatz.
  - Die 16-Lane CPU unterstützt die M.2 Xpander-Z Karte nicht.
7. Befestigen Sie die M.2 Xpander-Z Karte mit Schraube am Gehäuse.

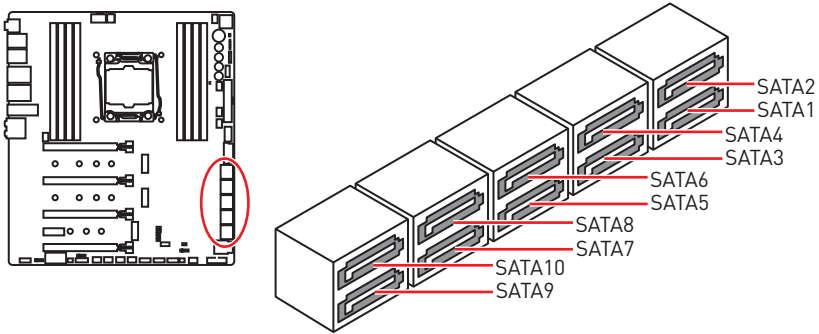


### **Wichtig**

- Die M.2 Xpander-Z Karte funktioniert nicht mit der 16-Lane CPU.
- Nach einem Ausbau der Karte, stellen Sie bitte die Funktion **M.2 Xpander-Z** im BIOS wieder auf **Disabled** (deaktiviert).

## SATA1~10: SATA 6Gb/s Anschlüsse

Dieser Anschluss basiert auf der Hochgeschwindigkeitsschnittstelle SATA 6Gb/s. Pro Anschluss kann ein SATA Gerät angeschlossen werden.



### Wichtig

- Knicken Sie das SATA-Kabel nicht in einem 90° Winkel. Datenverlust könnte die Folge sein.
- SATA-Kabel haben identische Stecker an beiden Enden. Es wird empfohlen den flachen Stecker auf dem Motherboard einstecken.

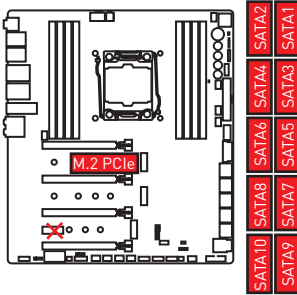
## Tabelle der M2\_1-, M2\_2-, SATA- und PCI\_E4-Gerätekombination

Slot	Kombination											
	PCIe	PCIe	PCIe	PCIe	PCIe	PCIe	SATA	SATA	SATA	SATA	SATA	SATA
M2_1	PCIe	PCIe	PCIe	PCIe	PCIe	PCIe	SATA	SATA	SATA	SATA	SATA	SATA
SATA1	✓	✓	✓	✓	✓	✓	—	—	—	—	—	—
SATA2	✓	✓	✓	✓	✓	✓	✓	✓	✓	✓	✓	✓
SATA3	✓	✓	✓	✓	✓	✓	✓	✓	✓	✓	✓	✓
SATA4	✓	✓	✓	✓	✓	✓	✓	✓	✓	✓	✓	✓
M2_2	—	—	SATA	SATA	PCIe	PCIe	—	—	SATA	SATA	PCIe	PCIe
SATA5	✓	✓	—	—	—	—	✓	✓	—	—	—	—
SATA6	✓	✓	✓	✓	—	—	✓	✓	✓	✓	—	—
SATA7	✓	✓	✓	✓	—	—	✓	✓	✓	✓	—	—
SATA8	✓	✓	✓	✓	—	—	✓	✓	✓	✓	—	—
PCI_E4	—	PCIe	—	PCIe	—	PCIe	—	PCIe	—	PCIe	—	PCIe
SATA9	✓	—	✓	—	✓	—	✓	—	✓	—	✓	—
SATA10	✓	—	✓	—	✓	—	✓	—	✓	—	✓	—

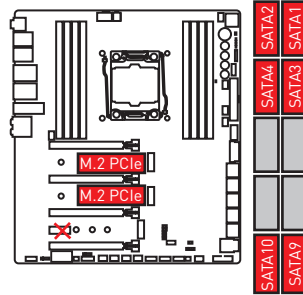
(SATA: M.2 SATA SSD, PCIe: M.2 PCIe SSD, ✓: Verfügbar, —: Nicht verfügbar)

## M.2 Steckplätze mit Beispielen zu den verschiedenen Kombinationsmöglichkeiten

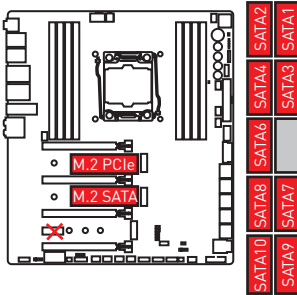
1xM.2 PCIe SSD + 10xSATA HDDs



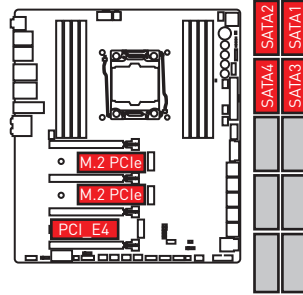
2xM.2 PCIe SSDs + 6xSATA HDDs



1xM.2 PCIe SSD + 1xM.2 SATA SSD + 9xSATA HDDs

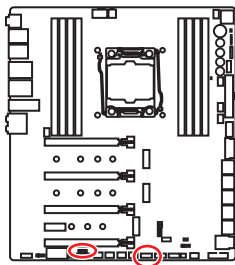


2xM.2 PCIe SSDs + 4xSATA HDDs + 1xPCI\_E4 Gerät



## JFP1, JFP2: Frontpanel-Anschlüsse

Diese Anschlüsse verbinden die Schalter und LEDs des Frontpanels.

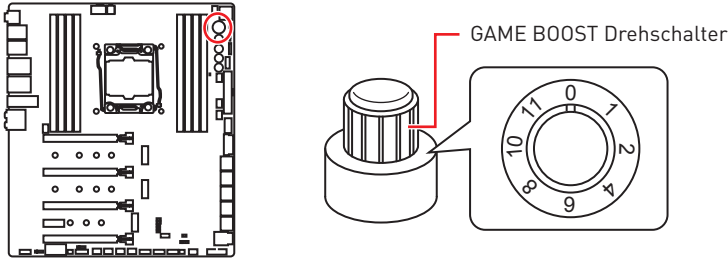


JFP1	
Pin	Function
1	HDD LED +
2	Power LED +
3	HDD LED -
4	Power LED -
5	Reset Switch
6	Power Switch
7	Reset Switch
8	Power Switch
9	Reserved
10	No Pin

JFP2	
Pin	Function
1	Speaker -
2	Buzzer +
3	Buzzer -
4	Speaker +

## OC1: GAME BOOST Drehschalter

Mit diesem Drehschalter können Sie eine Stufe von Number 0 (Standard) zu Number 11 (Extremwert) auswählen, um die Prozessoren zu übertakten. Die Spannung und Frequenz des CPUs wird dementsprechend automatisch angepasst, nachdem Sie Ihren Computer einschalten.



### GAME BOOST Drehschalter verwenden

Zum Einrichten des GAME BOOST Drehschalters befolgen Sie folgende Schritte:

1. Stellen Sie den GAME BOOST Drehschalter auf Hardware-Modus im BIOS-Setup.

**Hinweis:** Die LED des Drehschalters leuchtet auf wenn GAME BOOST durch die Hardware gesteuert wird. Wenn die LED des Schalters nicht leuchtet, wird GAME BOOST durch das BIOS gesteuert.

2. Schalten Sie den Computer aus.
3. Drehen Sie den GAME BOOST Drehschalter, um die benötigte Übertaktungsstufe auszuwählen.

Stufe	CPU Frequenz				
	i5-7640X	i7-7740X	i7-7800X	i7-7820X	i9-7900X
0	4.0 GHz	4.3 GHz	3.5 GHz	3.6 GHz	3.3 GHz
1	4.5 GHz	4.8 GHz	4.1 GHz	4.4 GHz	4.4 GHz
2	4.6 GHz	4.9 GHz	4.2 GHz	4.5 GHz	4.5 GHz
4	4.7 GHz	5.0 GHz	4.3 GHz	4.6 GHz	4.6 GHz
6	4.8 GHz	5.1 GHz	4.4 GHz	4.7 GHz	4.7 GHz
8	4.9 GHz	5.2 GHz	4.5 GHz	4.8 GHz	4.8 GHz
10	5.0 GHz	5.3 GHz	4.6 GHz	4.9 GHz	4.9 GHz
11	5.1 GHz	5.4 GHz	4.7 GHz	5.0 GHz	5.0 GHz

4. Schalten Sie den Computer ein und GAME BOOST übertaktet die CPU abhängig von der eingestellten Stufe.

GAME BOOST deaktivieren:

1. Stellen Sie den GAME BOOST Drehschalter auf HW-Modus im BIOS-Setup.
2. Schalten Sie den Computer aus.
3. Drehen Sie den GAME BOOST Drehschalter auf 0 und schalten Sie den PC ein. Die Konfigurationsparameter werden auf die Normalwerte zurückgesetzt.



**Wichtig**

- Bei der Verwendung der GAME BOOST-Funktion mit einem Prozessor der Core-X Serie wird empfohlen, eine CPU Wasserkühlung mit Dual-Fan-Radiator einzusetzen um eine bessere Kühlung und höhere Leistung zu gewährleisten.

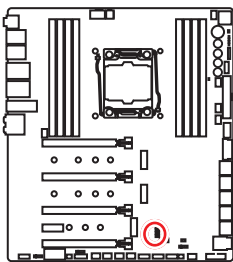
- Sie können auch die GAME-Boost-Funktion im **BIOS-Setup** oder mit der **MSI COMMAND CENTER**-Software steuern.
- Nach Aktivierung der GAME BOOST Funktion lassen Sie die Einstellungen im **BIOS > OC** Menü unverändert, um die Performance zu optimieren und die Stabilität des System zu verbessern.
- Der Erfolg der Übertaktung hängt von den Komponenten des Computers ab.
- MSI gibt keine Garantie auf den GAME BOOST Übertaktungsbereich und auf eventuelle Schäden, die durch eine Übertaktung entstehen können.
- MSI-Komponenten werden für eine bessere GAME BOOST Kompatibilität empfohlen.





## OC\_RT1: OC Retry Steckbrücke

Wenn Sie dieser Steckbrücke schließen, wird das System die OC-Einstellungen bis zum erfolgreichen Booten wiederholen.

## OC\_FS1: OC Force Enter BIOS Steckbrücke

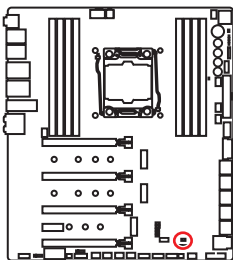
Wenn Sie dieser Steckbrücke schließen, wird das System in den BIOS gezwungen und ohne die OC Fehlermeldung anzuzeigen.





OC_RT1		
	Normal (Standardwert)	Das System wird die OC-Einstellungen wiederholen
OC_FS1		
	Normal (Standardwert)	Der Wechsel ins BIOS wird erzwungen und die OC Fehlermeldung wird übersprungen

## JSLow1: Slow Mode Booting Steckbrücke

Die Steckbrücke wird für die LN2-Kühlungen verwendet. Der Slow Mode startet den Prozessor in einer stabilen Frequenz und verhindert dadurch einen Systemcrash.



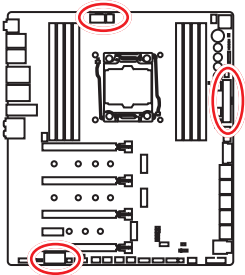
	
Normal (Standardwert)	Aktiviert (Aktivieren Sie bitte diese Steckbrücke während des BIOS POST.)

### **Wichtig**

- Anwender übertakten bei extremer Kühlung auf eigenes Risiko. Die Übertaktungsergebnisse werden abhängig von der CPU-Variante variieren.
- Schalten Sie bitte nicht auf **Enabled** um, wenn das System ausgeschaltet ist, sonst lässt es sich nicht starten.

## CPU\_PWR1~2, ATX\_PWR1, JPWR1: Stromanschlüsse

Mit diesen Anschlüssen verbinden Sie die ATX Stromstecker.



1	Ground	5	+12V
2	Ground	6	+12V
3	Ground	7	+12V
4	Ground	8	+12V

1	Ground	3	+12V
2	Ground	4	+12V

1	+3.3V	13	+3.3V
2	+3.3V	14	-12V
3	Ground	15	Ground
4	+5V	16	PS-ON#
5	Ground	17	Ground
6	+5V	18	Ground
7	Ground	19	Ground
8	PWR OK	20	Res
9	5VSB	21	+5V
10	+12V	22	+5V
11	+12V	23	+5V
12	+3.3V	24	Ground

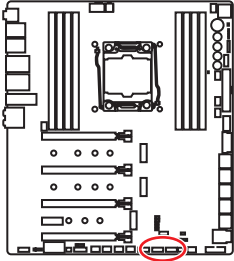
1	+12V	3	Ground
2	Ground	4	+5V

### **Wichtig**

Stellen Sie sicher, dass alle Anschlüsse mit den richtigen Anschlüssen des Netzteils verbunden sind, um einen stabilen Betrieb der Hauptplatine sicherzustellen.

## JUSB1~2: USB 2.0 Anschlüsse

Mit diesen Anschlüssen können Sie die USB 2.0 Anschlüsse auf dem Frontpanel verbinden.



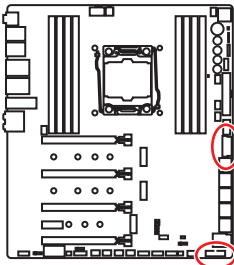
1	VCC	2	VCC
3	USB0-	4	USB1-
5	USB0+	6	USB1+
7	Ground	8	Ground
9	No Pin	10	NC

### Wichtig

- Bitte beachten Sie, dass Sie die mit VCC (Stromführende Leitung) und Ground (Erdleitung) bezeichneten Pins korrekt verbinden müssen, ansonsten kann es zu Schäden kommen.
- Um ein iPad, iPhone und einen iPod über USB-Anschlüsse aufzuladen, installieren Sie bitte die MSI® SUPER CHARGER Software.

## JUSB3~4: USB 3.1 Gen1 Anschlüsse

Mit diesen Anschlüssen können Sie die USB 3.1 Gen1 Anschlüsse auf dem Frontpanel verbinden.



1	Power	11	USB2.0+
2	USB3_RX_DN	12	USB2.0-
3	USB3_RX_DP	13	Ground
4	Ground	14	USB3_TX_C_DP
5	USB3_TX_C_DN	15	USB3_TX_C_DN
6	USB3_TX_C_DP	16	Ground
7	Ground	17	USB3_RX_DP
8	USB2.0-	18	USB3_RX_DN
9	USB2.0+	19	Power
10	NC	20	No Pin

### Wichtig

Bitte beachten Sie, dass Sie die mit „Stromführende Leitung“ und „Erdleitung“ bezeichneten Pins korrekt verbinden müssen, ansonsten kann es zu Schäden kommen.

## Ladegerätanschluss

Der **JUSB3** Anschluss ist ein Ladegerätanschluss, mit dem Sie die Ladegeschwindigkeit Ihres Smartphones oder anderen USB-betriebenen Geräten erhöhen. Der Ladegerätanschluss ist eine vom Mainboard-Chip gesteuerte Hardware, die auch im Ruhezustand, Standby- oder im ausgeschalteten Modus Geräte aufladen kann. Wenn Sie den Computer in Windows® starten, müssen Sie die MSI® SUPER CHARGER Anwendung installieren, um den Lademodus EIN/AUSZUSCHALTEN.



### Video-Demonstration

In diesem Video erfahren Sie, wie das MSI Super Charger funktioniert.

<http://youtu.be/FCyvr5Nb0w>

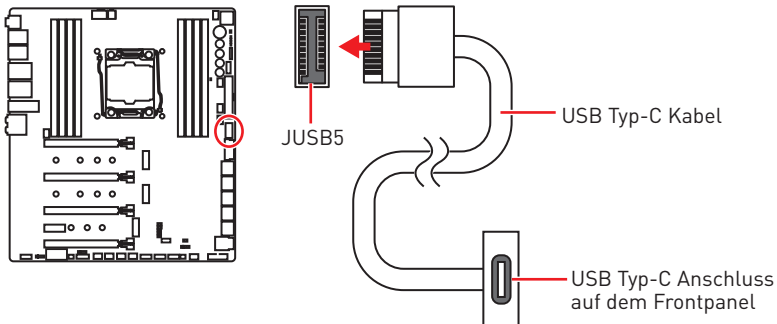


### Wichtig

Wenn der Lademodus aktiviert ist, können Sie keine Daten über die Ladebuchse synchronisieren.

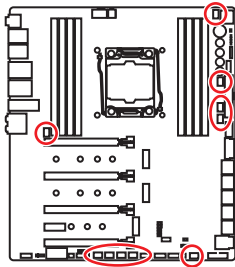
## JUSB5: USB 3.1 Gen2 Typ-C Anschluss

Mit diesem Anschluss können Sie den USB 3.1 Gen2 Typ-C Anschluss auf dem Frontpanel verbinden. Der Anschluss verfügt über ein besonders sicheres Design. Wenn Sie das Kabel anschließen, müssen Sie es in der entsprechenden Ausrichtung verbinden.



## CPU\_FAN1, PUMP\_FAN1, SYS\_FAN1~4, EXS\_FAN1~4: Stromanschlüsse für Lüfter

Diese Anschlüsse können im PWM (Pulse Width Modulation) Modus oder Spannungsmodus betrieben werden. Im PWM-Modus bieten die Lüfteranschlüsse konstante 12V Ausgang und regeln die Lüftergeschwindigkeit per Drehzahlsteuersignal. Im DC-Modus bestimmen die Lüfteranschlüsse die Lüftergeschwindigkeit durch Ändern der Spannung. Dieses Motherboard kann den PWM- und DC-Modus automatisch erfassen. Folgen Sie den folgenden Anweisungen, um den PWM- oder DC-Modus auszuwählen.



### Lüfteranschlüsse mit automatischer Erkennung



CPU\_FAN1/ PUMP\_FAN1/ SYS\_FAN1/  
SYS\_FAN4/ EXS\_FAN4



1  
SYS\_FAN2/ SYS\_FAN3/ EXS\_FAN1/  
EXS\_FAN2/ EXS\_FAN3



### Wichtig

- Sie können unter **BIOS > HARDWARE MONITOR** zwischen dem PWM- und DC-Modus umschalten und die Lüfterdrehzahl ändern.
- Überprüfen Sie die ordnungsgemäße Funktion der Lüfter nach dem Umschalten des PWM-/ DC-Modus.

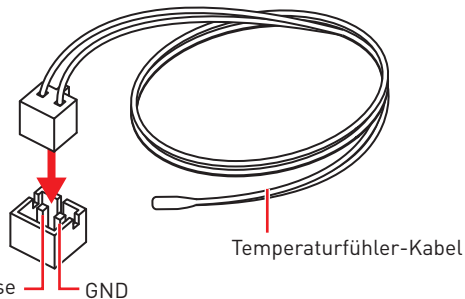
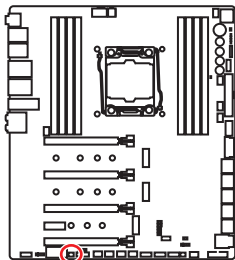
### Pin-Belegung der Lüfteranschlüsse

Pin-Belegung des PWM-Modus			
1	Ground	2	+12V
3	Sense	4	Speed Control Signal

Pin-Belegung des DC-Modus			
1	Ground	2	Voltage Control
3	Sense	4	NC

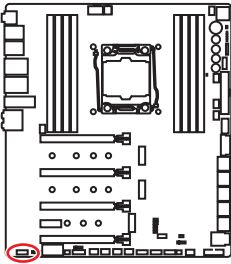
### T\_SEN1: Anschluss für einen Temperaturfühler

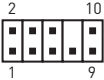
An diesem Anschluss können Sie ein Temperaturfühler-Kabel zur Überwachung der Temperatur eines gewählten Erfassungsbereichs anschließen.



## JAUD1: Audioanschluss des Frontpanels

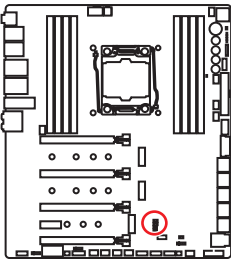
Dieser Anschluss ermöglicht den Anschluss von Audiobuchsen eines Frontpanels.



			
1	MIC L	2	Ground
3	MIC R	4	NC
5	Head Phone R	6	MIC Detection
7	SENSE_SEND	8	No Pin
9	Head Phone L	10	Head Phone Detection

## JCI1: Gehäusekontaktanschluss

Dieser Anschluss wird mit einem Kontaktschalter verbunden.



Normal  
(Standardwert)



Löse den  
Gehäuseeingriff aus

### Gehäusekontakt-Detektor verwenden

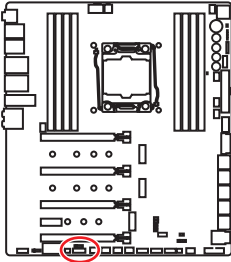
1. Schließen Sie den **JCI1**-Anschluss am Gehäusekontakt-Schalter/ Sensor am Gehäuse an.
2. Schließen Sie die Gehäuseabdeckung.
3. Gehen Sie zu **BIOS > Settings > Security > Chassis Intrusion Configuration**.
4. Stellen Sie **Chassis Intrusion** auf **Enabled**.
5. Drücken Sie **F10** zum Speichern und Beenden und drücken Sie dann die **Enter**-Taste, um **Ja** auszuwählen.
6. Bei eingeschaltetem Computer wird eine Warnmeldung auf dem Bildschirm angezeigt, wenn die Gehäuseabdeckung wieder geöffnet wird.

### Gehäusekontakt-Warnung zurücksetzen

1. Gehen Sie zu **BIOS > Settings > Security > Chassis Intrusion Configuration**.
2. Stellen Sie **Chassis Intrusion** auf **Reset**.
3. Drücken Sie **F10** zum Speichern und Beenden und drücken Sie dann die **Enter**-Taste, um **Ja** auszuwählen.

## JTPM1: TPM Anschluss

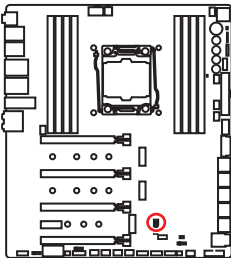
Dieser Anschluss wird für das TPM Modul (Trusted Platform Module) verwendet. Weitere Informationen über den Einsatz des optionalen TPM Modules entnehmen Sie bitte dem TPM Plattform Handbuch.



1	LPC Clock	2	3V Standby power
3	LPC Reset	4	3.3V Power
5	LPC address & data pin0	6	Serial IRQ
7	LPC address & data pin1	8	5V Power
9	LPC address & data pin2	10	No Pin
11	LPC address & data pin3	12	Ground
13	LPC Frame	14	Ground

## JBAT1: Clear CMOS Steckbrücke (Reset BIOS)

Der Onboard CMOS Speicher (RAM) wird durch eine externe Spannungsversorgung durch eine Batterie auf dem Motherboard versorgt, um die Daten der Systemkonfiguration zu speichern. Wenn Sie die Systemkonfiguration löschen wollen, müssen Sie die Steckbrücke für kurze Zeit umsetzen.



Daten  
beibehalten  
(Standardwert)



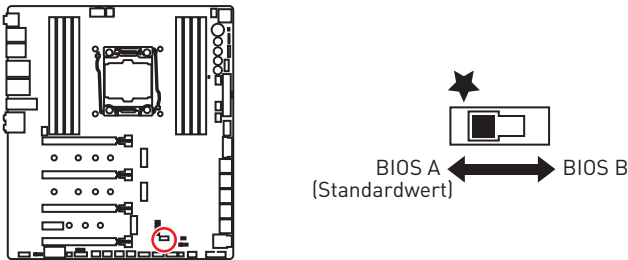
CMOS-Daten  
löschen/ Reset  
des BIOS

### Rücksetzen des BIOS auf Standardwerte

1. Schalten Sie den Computer ab und ziehen Sie das Netzkabel ab.
2. Verwenden Sie eine Steckbrücke, um JBAT1 für 5-10 Sekunden kurzzuschließen.
3. Entfernen Sie die Steckbrücke von JBAT1.
4. Stecken Sie das Kabel Ihres Computers in die Steckdose hinein und schalten Sie den Computer ein.

## BIOS\_SW1: Multi-BIOS Schalter

Das Motherboard hat zwei eingebaute BIOS ROMs (bezeichnet als A und B, Standard ist BIOS ROM A). Falls ein BIOS abgestürzt ist, können Sie durch Verschieben des Schalters zum zweiten BIOS umschalten, um zu starten.



### BIOS wiederherstellen

Wenn ein BIOS-Update fehlgeschlagen ist und das System nicht gestartet werden kann, können Sie die folgenden Schritte ausführen, um das BIOS wiederherzustellen. Vor Wiederherstellung laden Sie bitte die neueste BIOS-Version, die dem Motherboard-Modell entspricht, von der offiziellen MSI Website herunter. Und speichern Sie die BIOS-Datei im Root-Verzeichnis des USB-Flash-Speichers.

1. Schalten Sie den Computer aus.
2. Wechseln Sie in den normalen BIOS ROM mit dem **Multi-BIOS-Schalter**.
3. Schließen das USB-Flashlaufwerk an den Computer an.
4. Schalten Sie den Computer ein und drücken Sie während des POST-Vorgangs die Taste **Del (Entf)**, um das BIOS zu öffnen.
5. Gehen Sie zu **BIOS > M-FLASH** und klicken Sie auf **Yes (Ja)**, um das System neu zu starten. Rufen Sie den Flash-Modus auf.
6. Wählen Sie die BIOS-Datei zur Durchführung des BIOS-Aktualisierungsprozesses aus.
7. Setzen Sie den Schalter auf das ausgefallene BIOS mit dem **Multi-BIOS-Schalter** um und klicken Sie auf **Yes (Ja)**, um das BIOS wiederherzustellen.
8. Nachdem der BIOS-Wiederherstellungsprozess vollständig ist, startet das System automatisch neu.

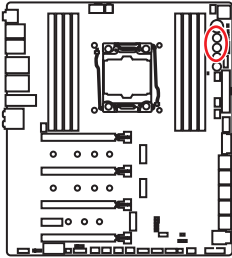


#### **Wichtig**

- Bitte schalten Sie den Multi-BIOS-Schalter nicht um, während das System im Betrieb ist.
- Sie können auch das **LIVE UPDATE** oder **Flash BIOS Utility** verwenden, um das BIOS zu flashen. Für weitere Erläuterungen verweisen wir Sie auf den BIOS-Bereich dieses Handbuchs.

## POWER1, RESET1: Power-Taste, Reset-Taste

Mit dieser Power-Taste können Sie den Computer einschalten. Mit der Reset-Taste können Sie den Computer zurücksetzen.



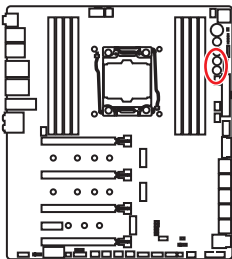
Power-Taste



Reset-Taste

## Plus, Minus Tasten: BCLK-Ratio Tasten

Mit diesen Tasten können Sie die CPU BCLK (Grundtaktfrequenz) oder den Takt zu erhöhen bzw. zu verringern.



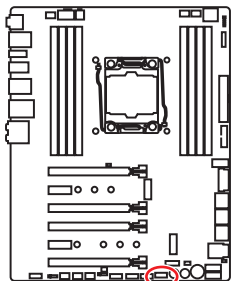
BCLK+  
/ Takt+



BCLK-  
/ Takt-

## VRAID1: Virtual RAID auf dem CPU Anschluss

Mit diesem Anschluss können Sie ein VROC (Virtual RAID on CPU) Tastenmodul anschließen. Aktivieren Sie bitte die VROC-Funktion mit dem Treiber der Intel® RSTe (Intel® Rapid Storage Technology Enterprise).



1	GND	2	VCC3
3	GND	4	SATA_RAID_KEY

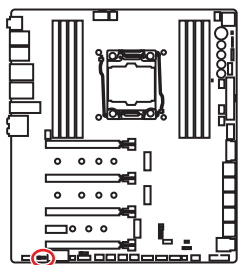


**Wichtig**

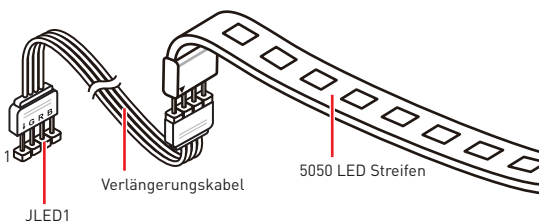
Das VROC-Modul muss separat erworben werden.

## JLED1: RGB LED Anschluss

Mit diesem Anschluss können Sie den 5050 RGB-LED-Streifen anschließen.



1	+12V	2	G
3	R	4	B



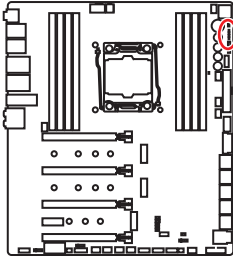
**Wichtig**





- Dieser Anschluss unterstützt die 5050 RGB Mehr-Farb-LED-Streifen (12V/R/G/B) mit der maximalen Leistung von 3A (12V). Beachten Sie bitte, dass die Länge des LED-Streifens maximal 2 Meter betragen darf um eine Verdunkelung der LED zu verhindern.
- Schalten Sie die Stromversorgung aus und ziehen Sie das Netzkabel ab, bevor Sie die RGB-LED-Streifen ein- und ausbauen.
- Bitte verwenden Sie die MSI-Software zur Steuerung des LED-Leuchtbereichs.

# Onboard-LEDs

## EZ Debug LED

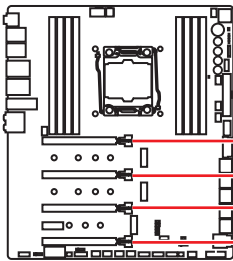
Diese LEDs zeigen den Debug-Status des Motherboards an.



-  **CPU** - CPU wird nicht erkannt oder ist fehlerhaft.
-  **DRAM** - DRAM wird nicht erkannt oder ist fehlerhaft.
-  **VGA** - GPU wird nicht erkannt oder ist fehlerhaft.
-  **BOOT** - Boot-Gerät wird nicht erkannt oder ist fehlerhaft.

## PCIe x16 Steckplatz LEDs

Die LED zeigen den Status der PCIe x16-Steckplätze an.



- PCI\_E1 LED
- PCI\_E2 LED
- PCI\_E3 LED
- PCI\_E5 LED

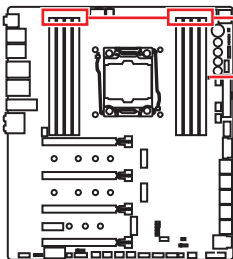
LED-Farbe	Status des PCIe-Steckplatzes
Rot	x16 Modus
Weiß	x8, x4, x1 Modus

## DIMM LEDs

Diese LEDs zeigen an, dass die Speichermodule installiert sind.

## XMP LED

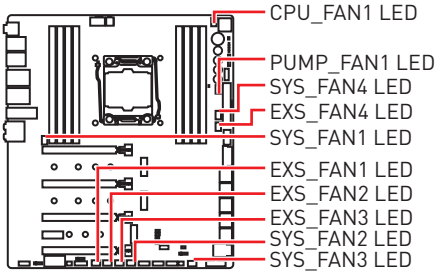
Diese LED zeigt an, der XMP (Extreme Memory Profile) Modus aktiviert ist.



- DIMM LEDs
- XMP LED

## Lüfter LEDs

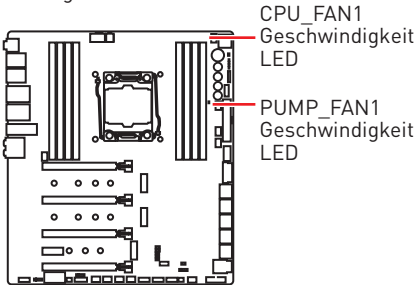
Die LEDs zeigen den Lüftersteuerungsmodus an.



LED-Farbe	Lüftersteuerungsmodus
Rot	PWM Modus
Grün	DC Modus

## Lüftergeschwindigkeitsanzeigen

Es existieren Ventilatorgeschwindigkeitsanzeigen am Chipsatz-Kühlkörper und der Platinenrückseite. Das Licht ändert die Farbe, um die Lüftergeschwindigkeit anzuzeigen.



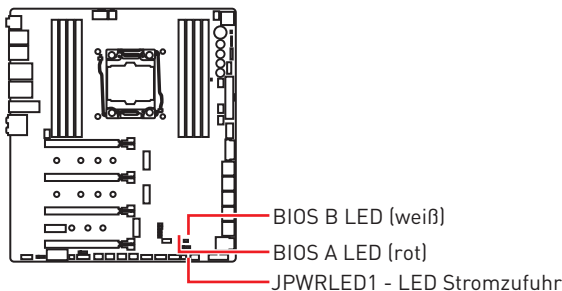
LED-Farbe	Lüftergeschwindigkeit
Weiß	Unter 65%
Von weiß nach rot	65%–80%
Rot	Über 80%

## Multi-BIOS LEDs

Die Multi-BIOS LEDs zeigen an, welches BIOS in Betrieb ist.

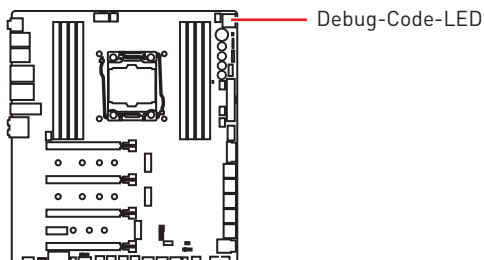
## JPWRLED1: Stromanschluss zur Demonstration des LED-Lichteffekts

Dieser Anschluss ermöglicht es dem Fachhändler die integrierten LED-Lichteffekte zu zeigen.



## Debug-Code-LED

Die Debug-Code-LED-Anzeige zeigt den Fortschritt und das Fehlercode während und nach dem POST-Vorgang an. Einzelheiten entnehmen Sie bitte der Debug-Code LED-Tabelle.



## Hexadezimalzeichen

Hexadezimal	0	1	2	3	4	5	6	7	8	9	A	B	C	D	E	F
Debug-Code LED-Anzeige	0	1	2	3	4	5	6	7	8	9	A	B	C	D	E	F

## Boot-Phasen

**Sicherheit (SEC)** – Low-Level-Initialisierung beim Start

**Pre-EFI-Initialisierung (PEI)** – Speicher-Initialisierung

**Ausführungsumgebung des Treibers (DXE)** – Primäre Hardware-Initialisierung

**Auswahl des Boot-Gerätes (BDS)** – Systemeinstellungen, Pre-OS Benutzer-Interface & Auswahl eines Boot-Gerätes (CD/DVD, HDD, USB, Netzwerk, Gehäuse, ...)

## Debug-Code-LED-Tabelle

### SEC-Fortschritt-Codes

01	Computerstart. Reset Typ-Erkennung (Soft/Hard-Reset)
02	AP-Initialisierung vor dem Mikrocode-Ladevorgang
03	System-Agent-Initialisierung vor dem Mikrocode-Ladevorgang
04	PCH-Initialisierung vor dem Mikrocode-Ladevorgang
06	Mikrocode-Ladevorgang
07	Nach der Mikrocode-Ladung initialisiert die AP
08	AP-Initialisierung nach dem Mikrocode-Ladevorgang
09	PCH-Initialisierung nach dem Mikrocode-Ladevorgang
0B	Cache-Initialisierung

### SEC-Fehler-Codes

0C - 0D	Reserviert für zukünftige AMI SEC Fehler-Codes
0E	Der Microcode wurde nicht gefunden
0F	Der Microcode wurde nicht geladen

### PEI-Fortschritt-Codes

10	PEI-Kern wird gestartet
11	Pre-Memory CPU-Initialisierung wird gestartet
12 - 14	Pre-Memory CPU-Initialisierung (CPU-spezifisch)
15	Pre-Memory System-Agent-Initialisierung wird gestartet
16 - 18	Pre-Memory System-Agent-Initialisierung (System-Agent spezifisch)
19	Pre-Memory PCH- Initialisierung wird gestartet
1A - 1C	Pre-Memory PCH- Initialisierung (PCH-Modul spezifisch)

2B	Speicher-Initialisierung. Serial Presence Detect (SPD) liest die Daten aus
2C	Speicher-Initialisierung. Speicher-Erfassung
2D	Speicher-Initialisierung. Programmierung des Speicher-Timings
2E	Speicher-Initialisierung. Konfiguration des Speichers
2F	Speicher-Initialisierung (sonstige)
31	Speicher ist installiert
32	CPU Post-Memory-Initialisierung wird gestartet
33	CPU Post-Memory-Initialisierung. Cache-Initialisierung
34	CPU Post-Memory-Initialisierung. Application Processor (AP) Initialisierung
35	CPU Post-Memory-Initialisierung. Boot Strap Prozessorauswahl (BSP)
36	CPU Post-Memory-Initialisierung. System Management Mode (SMM) Initialisierung
37	Post-Memory System-Agent-Initialisierung wird gestartet
38 - 3A	Post-Speicher-System-Agent Initialisierung (System Agent spezifisch)
3B	Post-Memory PCH-Initialisierung wird gestartet
3C - 3E	Post-Memory PCH-Initialisierung (PCH-Modul spezifisch)
4F	DXE IPL wird gestartet

## PEI-Fehler-Codes

50	Die Speicher-Initialisierung ist fehlgeschlagen. Ungültiger Speichertyp oder nicht kompatible Speichergeschwindigkeit
51	Die Speicher-Initialisierung ist fehlgeschlagen. Die SPD-Lesung ist fehlgeschlagen
52	Die Speicher-Initialisierung ist fehlgeschlagen. Ungültige Speichergröße oder nicht abgestimmte Speichermodule
53	Die Speicher-Initialisierung ist fehlgeschlagen. Kein nutzbarer Speicher erkannt
54	Unspezifizierte Speicher-Initialisierungsfehler
55	Speicher ist nicht installiert
56	Ungültiger CPU-Typ oder Geschwindigkeit
57	Inkompatibilität der CPU
58	Der CPU-Selbsttest ist fehlgeschlagen oder es liegt ein CPU-Cache-Fehler vor
59	CPU Micro-Code wurde nicht gefunden oder das Updaten des Micro-Codes ist fehlgeschlagen
5A	Fehler in interner CPU

5B	Reset-PPI ist nicht verfügbar
5C - 5F	Reserviert für zukünftige AMI-Fehlercodes

## DXE-Fortschritt-Codes

60	DXE Core wird gestartet
61	NVRAM-Initialisierung
62	Installation des PCH Runtime Services
63	CPU DXE-Initialisierung wird gestartet
64 - 67	CPU DXE-Initialisierung (CPU modulspezifisch)
68	PCI Host Bridge Initialisierung
69	System Agent DXE Initialisierung wird gestartet
6A	System Agent DXE SMM Initialisierung wird gestartet
6B - 6F	System Agent DXE Initialisierung (modulspezifischer System Agent)
70	PCH DXE Initialisierung wird gestartet
71	PCH DXE SMM Initialisierung wird gestartet
72	PCH-Geräte Initialisierung
73 - 77	PCH DXE Initialisierung (PCH modulspezifisch)
78	ACPI Modul Initialisierung
79	CSM Initialisierung
7A - 7F	Reserviert für zukünftige AMI-DXE-Codes
90	Boot Device Selection (BDS) Phase wird gestartet
91	Treiber-Verbindung wird gestartet
92	PCI Bus Initialisierung wird gestartet
93	PCI Bus Hot Plug Controller Initialisierung
94	PCI Bus Enumeration 32
95	PCI Bus Request Resources
96	PCI Bus Assign Resources
97	Verbindung der Konsolen-Ausgangsgeräte
98	Verbindung der Konsolen-Eingangsgeräte
99	Super-IO-Initialisierung
9A	USB-Initialisierung wird gestartet
9B	USB-Rücksetzung
9C	USB-Erkennung
9D	USB-Aktivierung
9E - 9F	Reserviert für zukünftige AMI-Codes
A0	IDE Initialisierung wird gestartet
A1	IDE-Rücksetzung
A2	IDE-Erkennung
A3	IDE-Aktivierung
A4	SCSI Initialisierung wird gestartet
A5	SCSI-Rücksetzung
A6	SCSI-Erkennung
A7	SCSI-Aktivierung
A8	Bereite Kennwortüberprüfung vor

<b>A9</b>	Beginn der Einstellung
<b>AB</b>	Warten auf Eingabe
<b>AD</b>	Bereit für Boot-Event
<b>AE</b>	Legacy Boot Event
<b>AF</b>	Beendet das Boot-Services-Event
<b>B0</b>	Laufzeit stellt virtuelle MAP Start-Adresse ein
<b>B1</b>	Laufzeit stellt virtuelle MAP End-Adresse ein
<b>B2</b>	Legacy Option ROM Initialisierung
<b>B3</b>	System-Rücksetzung
<b>B4</b>	USB Hot-Plug
<b>B5</b>	PCI-Bus Hot-Plug
<b>B6</b>	NVRAM aufräumen
<b>B7</b>	Setzt die Konfiguration zurück (setzt die NVRAM-Einstellungen zurück)
<b>B8 - BF</b>	Reserviert für zukünftige AMI-Codes

### DXE-Fehler-Codes

<b>D0</b>	CPU-Initialisierungs-Fehler
<b>D1</b>	System-Agent-Initialisierungs-Fehler
<b>D2</b>	PCH-Initialisierungs-Fehler
<b>D3</b>	Einige der Architektur-Protokolle sind nicht verfügbar
<b>D4</b>	PCI-Ressourcenzuordnungsfehler. Keine ausreichenden Ressourcen verfügbar.
<b>D5</b>	Kein Platz für Legacy-Option-ROM
<b>D6</b>	Kein Konsolen-Ausgangsgerät gefunden
<b>D7</b>	Kein Konsolen-Eingangsgeräte gefunden
<b>D8</b>	Ungültiges Passwort
<b>D9</b>	Fehler beim Laden der Boot-Option (Load-Image gibt Fehler zurück)
<b>DA</b>	Boot Option ist fehlgeschlagen (Start-Image gibt Fehler zurück)
<b>DB</b>	Flash-Update ist fehlgeschlagen
<b>DC</b>	Das Reset-Protokoll steht nicht zur Verfügung

### S3 Wiederaufnahme Fortschritt-Codess

<b>E0</b>	S3-Wiederaufnahmen wird gestartet (S3-Wiederaufnahmen-PPI wird von DXE IPL aufgerufen)
<b>E1</b>	Führt das S3-Boot-Skript aus
<b>E2</b>	Veröffentlicht Video neu
<b>E3</b>	OS S3 Ruhezustand
<b>E4 - E7</b>	Reserviert für zukünftige AMI-Fortschrittscodes

### S3 Wiederaufnahme Fehler-Codes

<b>E8</b>	Das S3-Wiederaufnahmen ist fehlgeschlagen
<b>E9</b>	Das S3-Wiederaufnahmen PPI wurde nicht gefunden

<b>EA</b>	Boot-Skript-Fehler bei der S3-Wiederaufnahmen
<b>EB</b>	S3 OS Ruhezustand-Fehler
<b>EC - EF</b>	Reserviert für zukünftige AMI-Fehlercodes

### Wiederherstellung Fortschritt-Codes

<b>F0</b>	Wiederherstellung ausgelöst durch die Firmware (Auto recovery)
<b>F1</b>	Wiederherstellung ausgelöst durch den Benutzer (Forced recovery)
<b>F2</b>	Der Wiederherstellungsprozess wurde gestartet
<b>F3</b>	Das Image der Wiederherstellung-Firmware wurde gefunden
<b>F4</b>	Das Image der Wiederherstellung-Firmware wurde geladen
<b>F5 - F7</b>	Reserviert für zukünftige AMI-Fortschrittscodes

### Wiederherstellung Fehler-Codes

<b>F8</b>	Wiederherstellung-PPI ist nicht verfügbar
<b>F9</b>	Wiederherstellung-Kapsel ist nicht gefunden
<b>FA</b>	Ungültige Wiederherstellung-Kapsel
<b>FB - FF</b>	Reserviert für zukünftige AMI-Fehlercodes

### ACPI Status-Codes

Nach dem Start erscheinen die folgende Codes und versetzen das Betriebssystem in den ACPI-Modus.

<b>01</b>	Das System geht in den Ruhezustand S1
<b>02</b>	Das System geht in den Ruhezustand S2
<b>03</b>	Das System geht in den Ruhezustand S3
<b>04</b>	Das System geht in den Ruhezustand S4
<b>05</b>	Das System geht in den Ruhezustand S5
<b>10</b>	Das System beendet den Ruhezustand S1
<b>20</b>	Das System beendet den Ruhezustand S2
<b>30</b>	Das System beendet den Ruhezustand S3
<b>40</b>	Das System beendet den Ruhezustand S4
<b>AC</b>	Das System hat auf den ACPI-Modus umgestellt. Interrupt-Controller ist im PIC-Modus.
<b>AA</b>	Das System hat auf den ACPI-Modus umgestellt. Interrupt-Controller ist im APIC-Modus.

### CPU-Temperatur

<b>00 - 99</b>	Zeigt die aktuelle CPU Temperatur sobald das System vollständig in das OS geladen wurde.
----------------	--

## Aktualisierung der LED-Firmware

Die Aktualisierung der LED-Firmware kann zur Verbesserung der Leuchteffekte beitragen.

LED-Firmware-Aktualisierungsschritte:

1. Installieren und starten Sie „MSI LIVE UPDATE 6“.
2. Wählen Sie **BIOS Update** aus.
3. Klicken Sie auf die **Scan** Taste. Wenn die LED-Firmware veraltet ist, erscheint die neue Softwareversion in der Liste.
4. Wählen Sie den Eintrag in der Liste aus.



5. Klicken Sie auf die **Total installer** Taste, um die neueste Softwareversion zu laden und zu installieren.
6. Nachdem der Prozess abgeschlossen ist, müssen Sie den Computer zum Aktivieren der LED-Firmware neu starten.

# BIOS-Setup

Die Standardeinstellungen bieten die optimale Leistung für die Systemstabilität unter Normalbedingungen. Sie sollten **immer die Standardeinstellungen behalten**, um mögliche Schäden des Systems oder Boot-Fehler zu vermeiden, außer Sie besitzen ausreichende BIOS Kenntnisse.



## Wichtig

- BIOS Funktionen werden für eine bessere Systemleistung kontinuierlich aktualisiert. Deswegen können die Beschreibungen leicht von der letzten Fassung des BIOS abweichen und sollten demnach nur als Anhaltspunkte dienen. Für eine Beschreibung der BIOS Funktionen rufen Sie die **HELP** Informationstafel aus.
- Die Bilder in diesem Kapitel stellen lediglich Referenzen dar und können von dem von Ihnen erworbenen Produkt abweichen.

## Öffnen des BIOS Setups

Befolgen Sie bitte die nachfolgende Schritte, um das BIOS Setup aufzurufen.

- Während des BOOT-Vorgangs drücken Sie die Taste **ENTF**, wenn die Meldung **Press DEL key to enter Setup Menu, F11 to enter Boot Menu** erscheint.
- Verwenden Sie die **MSI FAST BOOT** Anwendung. Klicken Sie die **GO2BIOS**-Taste und drücken Sie **OK**. Das System startet neu und geht direkt ins BIOS.



Klicken Sie auf **GO2BIOS**

## Funktionstasten

- F1:** Allgemeine Hilfe
  - F2:** Hinzufügen/Entfernen eines Favoritenpunkts
  - F3:** Öffnen des Favoriten Menüs
  - F4:** Öffnen des Menüs CPU-Spezifikationen
  - F5:** Öffnen des Memory-Z Menüs
  - F6:** Laden der ursprünglichen Setup-Standardwerte
  - F7:** Wechselt zwischen dem Erweiterten-Modus und EZ-Modus
  - F8:** OC-Profil wird vom USB-Stick geladen
  - F9:** OC-Profil wird auf einem USB-Stick gespeichert
  - F10:** Speichern oder Zurücksetzen der Änderungen\*
  - F12:** Macht einen Screenshot und speichert auf einen FAT/FAT32-USB-Laufwerk.
- Strg+F:** Öffnet die Suchseite

\* Beim Drücken der F10 Taste wird das Fenster zum Speichern der Einstellungen angezeigt. Wählen Sie **Yes**, um die Wahl zu bestätigen, oder **No**, um die derzeitige Einstellung beizubehalten.

## Reset des BIOS

Sie können die Werkseinstellung wieder herstellen, um bestimmte Probleme zu lösen. Es gibt verschiedene Möglichkeiten, um das BIOS zurückzusetzen:

- Öffnen Sie das BIOS und drücken Sie **F6**, um optimierten Einstellungen zu laden.
- Schließen Sie die **Clear CMOS Steckbrücke** an das Motherboard an.



**Wichtig**

Bitte lesen Sie für Informationen zum BIOS-Reset im Bereich „**Clear CMOS Steckbrücke**“ nach.

## Aktualisierung des BIOS

### Aktualisierung des BIOS mit dem M-FLASH-Programm

Before updating:

Vorbereitung:

Laden Sie bitte die neueste BIOS Version, die dem Motherboard-Modell entspricht, von der offiziellen MSI Website herunter und speichern Sie die BIOS-Datei auf USB-Flash-Laufwerk.

BIOS-Aktualisierungsschritte:

1. Drücken Sie während des POST-Vorgangs die Taste (Entf), um das BIOS zu öffnen.
2. Schließen das USB-Flashlaufwerk mit der BIOS-Datei an den Computer.
3. Wählen Sie die Registerkarte **M-FLASH** und klicken Sie auf **Yes (Ja)**, um das System neu zu starten. Rufen Sie den Flash-Modus auf.
4. Wählen Sie die BIOS-Datei zur Durchführung des BIOS-Aktualisierungsprozesses aus.
5. Nachdem das Flashen des BIOS vollständig ist, startet das System automatisch neu.

### Aktualisierung des BIOS mit Live Update 6

Vorbereitung:

Stellen Sie sicher, dass zuvor die LAN-Treiber installiert wurden und eine Internetverbindung eingerichtet ist.

BIOS-Aktualisierungsschritte:

1. Installieren und starten Sie „MSI LIVE UPDATE 6“.
2. Wählen Sie **BIOS Update** aus.
3. Klicken Sie auf die **Scan** Taste.
4. Klicken Sie auf dieses **Download**-Icon, um die neueste BIOS-Datei zu laden und zu installieren.
5. Klicken Sie auf **Next (Weiter)** und wählen Sie **In Windows Mode** aus. Und klicken dann auf **Next (Weiter)** und **Start (Starten)**, um das BIOS-Update zu starten.
6. Nachdem das Flashen des BIOS vollständig ist, startet das System automatisch neu.

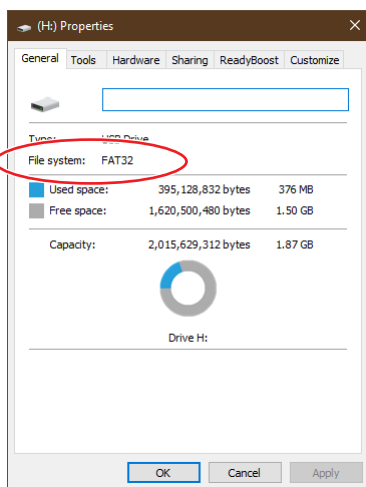
## Aktualisierung des BIOS mit Flash BIOS Taste

1. Laden Sie bitte die neueste BIOS Version, die das Modell des Motherboards entspricht, von der offiziellen MSI® Website.
2. Benennen die BIOS-Datei im **MSI.ROM** um und speichern Sie die Datei im Root-Verzeichnis des USB-Flash-Speichers (FAT32 format).
3. Verbinden Sie die Stromversorgung an dem **CPU\_PWR1** und **ATX\_PWR1**-Stecker. (Sie benötigen keine CPU und keinen Speicher zu installieren)
4. Stecken Sie das USB-Flashlaufwerk, das die MSI.ROM-Datei enthält, in dem Anschluss des **Flash BIOS** auf der Rückseite E/A des Panels ein.
5. Drücken Sie die Taste **Flash BIOS**, um das BIOS zu flashen, nun beginnt die **Flash BIOS** LED zu blinken.
6. Nachdem das Flashen des BIOS vollständig ist, erlischt die Flash BIOS LED.



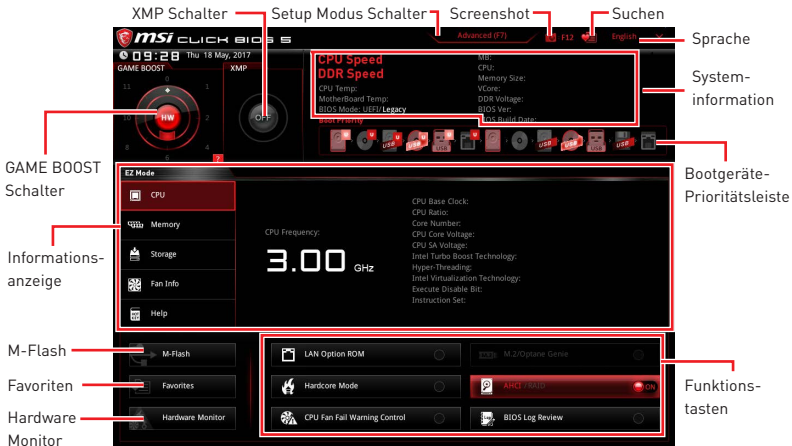
### Wichtig


Nur USB-Flashlaufwerke im FAT32-Format unterstützen einen BIOS-Update per **Flash BIOS Taste**. Um Ihr Laufwerk zu überprüfen, rufen Sie den Windows Explorer auf, klicken Sie mit der rechten Maustaste auf das Laufwerkssymbol und wählen Sie Eigenschaften aus.



## EZ Modus

Im EZ-Modus können Sie die Grundinformationen des Systems einsehen und grundlegende Einstellungen konfigurieren. Um sich die erweiterten BIOS-Einstellungen anzeigen zu lassen, aktivieren Sie bitte den Erweiterten Modus durch Drücken des **Setup Modus Schalter** oder der Funktionstaste **F7**.



• **GAME BOOST Schalter** - Klicken Sie auf die mittlere Taste, um die **GAME BOOST** Steuerung zwischen **Software (SW)** und **Hardware (HW)** zu wechseln. Der innere Kreis zeigt den Zustand des Hardware **GAME BOOST** und der äußere Kreis den des Software **GAME BOOST** an. Sie können die Funktion des **GAME BOOST** nachlesen, wenn Sie auf das Fragezeichen  in der rechten unteren Ecke lesen.

### **Wichtig**

Bitte ändern Sie keine Werte im OC Menü und laden Sie keine Standardwerte während **GAME BOOST** aktiviert ist, um die optimale Leistung und Stabilität des Systems zu gewährleisten.

• **XMP Schalter** - Klicken Sie auf den inneren Kreis, um X.M.P. (Extreme Memory Profile) zu aktivieren/deaktivieren. Drehen Sie den äußeren Kreis, um ein X.M.P. Profil zu wählen. Dieser Schalter steht nur zur Verfügung, wenn die installierten Speichermodule die X.M.P. Technik unterstützen.

• **Setup Modus Schalter** - Mit dieser Registerkarte oder der **F7**-Taste können Sie zwischen dem Erweiterten-Modus und EZ-Modus wechseln.

• **Screenshot** - Wählen Sie diese Registerkarte oder betätigen Sie die **F12**-Taste, um einen Screenshot zu machen und auf einen FAT/FAT32-USB-Laufwerk zu speichern.

• **Suchen** - Klicken Sie auf diese Registerkarte oder die **Strg+F** Taste um die Suchseite anzuzeigen. Mit der Funktion können Sie durch Eingabe eines Suchbegriffs nach BIOS-Einträgen suchen. Bewegen Sie den Mauszeiger über einen freien Bereich und klicken Sie mit der rechten Maustaste, um die Suchseite zu schließen.

### **Wichtig**

Auf der Suchseite stehen nur die **F6**-, **F10**- und **F12**-Funktionstasten zur Verfügung.

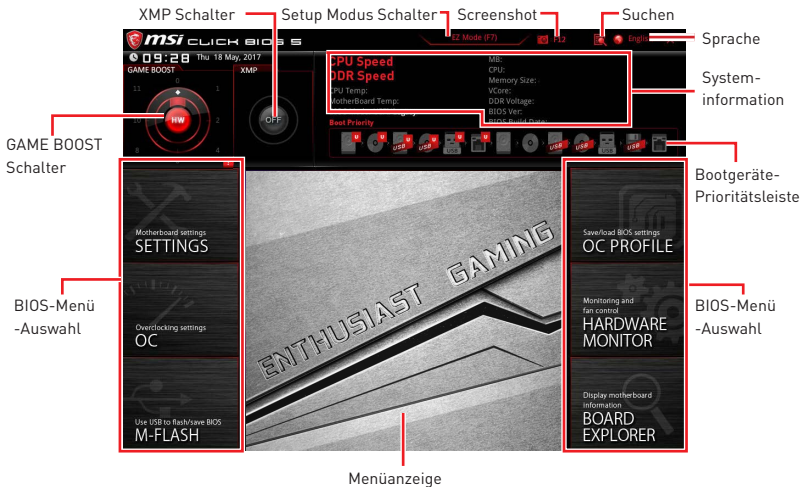
• **Sprache** - Hier können Sie die Sprache der BIOS-Einstellungen auswählen.

• **Systeminformationen** - Diese zeigt CPU/ DDR-Frequenz, CPU/ MB-Temperatur, MB/ CPU-Typ, Speicherkapazität, CPU/ DDR-Spannung, BIOS-Version und Erstellungsdatum.

- **Boot-Geräte Prioritätsleiste** - Sie können die Gerätesymbole verschieben, um die Startreihenfolge zu ändern. Die Bootreihenfolge sind mit "hoch" (links) bis "niedrig" (rechts) bezeichnet.
- **Informationsanzeige** - Klicken Sie auf die Schaltfläche **CPU, Memory, Storage, Fan Info** und **Help** auf der linken Seite, um die jeweiligen Informationen anzuzeigen.
- **Funktionstasten** - Aktivieren oder deaktivieren Sie **LAN Option ROM, M.2/Optane Genie, Hardcore Mode, AHCI, RAID, CPU Fan Fail Warning Control** und **BIOS Log Review** durch Anklicken der zugehörigen Schaltfläche.
  - **Hardcore-Modus** - Im Hardcore-Modus behält die CPU die volle Geschwindigkeit bei um die Systemleistung zu maximieren. Diese Funktion kann den Stromverbrauch erhöhen.
- **M-Flash** - Ein Klick auf diese Schaltfläche öffnet **M-Flash** mit dem Sie das BIOS mit einem USB-Flash-Laufwerk aktualisieren.
- **Hardware Monitor** - Ein Klick auf diese Schaltfläche öffnet das Menü des **Hardware Monitor** mit dem Sie die Lüfterdrehzahl in Prozent manuell steuern.
- **Favoriten** - Drücken Sie die **F3**-Taste, um das **Favoriten**-Menü aufzurufen. Hier können Sie Ihre persönliches BIOS-Menü erstellen, in dem Sie die häufig verwendeten oder favorisierten BIOS-Einstellungsoptionen auswählen können.
  - **Default HomePage** - Über diese Option können Sie ein BIOS-Menü (zum Beispiel: Einstellungen, Übertaktung, usw.) als BIOS Homepage auswählen.
  - **Favoriten 1~5** - Hier können Sie die häufig erwendeten oder favorisierten BIOS-Einstellungsoptionen auf einer Seite hinzufügen.
  - **Um ein BIOS-Punkte zu einer Favoritenseite hinzufügen (Lieblingseinstellung 1~5)**
    1. Sie können die Maus nicht nur über einen Eintrag im BIOS-Menü sondern auch auf der Suchseite bewegen.
    2. Klicken Sie mit der rechten Maustaste oder drücken Sie die Taste **F2**.
    3. Wählen Sie die gewünschte Seite aus und klicken Sie auf **OK**.
  - **Um ein BIOS-Punkte von Favoritenseite zu löschen**
    1. Bewegen Sie die Maus über einen BIOS-Eintrag auf einer Favoritenseite (Favoriten 1~5)
    2. Klicken Sie mit der rechten Maustaste oder drücken Sie die Taste **F2**.
    3. Wählen Sie **Delete** aus und klicken Sie auf **OK**.

## Erweiterter Modus

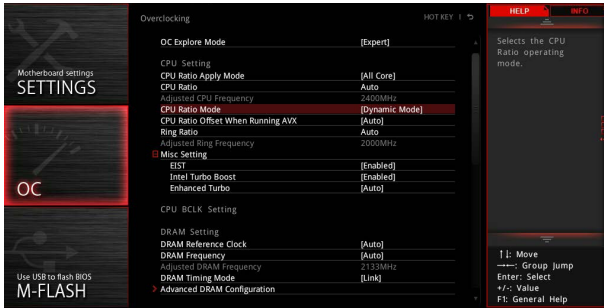
Drücken Sie den **Setup Modus Schalter** oder die Funktionstaste **F7**, um zwischen dem EZ-Modus und Erweiterten-Modus im BIOS-Setup zu wechseln.



- **GAME BOOST Schalter/ XMP Schalter/ Setup Modus Schalter/ Screenshot/ Sprache/ Systeminformation/ Boot-Geräte Prioritätsleiste** - Finden Sie die Informationen in den Beschreibungen der EZ Modus-Abschnitt.
- **BIOS-Menü-Auswahl** - Die folgenden Optionen stehen zur Verfügung.
  - **SETTINGS** - Mit diesem Menü können Sie die Parameter für Chipsatz, Boot-Geräte angeben.
  - **OC** - Hier können Sie die Frequenz und Spannung anpassen. Die Erhöhung der Frequenz kann eine bessere Leistung erreichen.
  - **M-FLASH** - M-Flash erlaubt es, das BIOS mit einem USB-Flash-Laufwerk zu aktualisieren.
  - **OC PROFILE** - In diesem Menü werden die verschiedenen Overclocking-Profile gespeichert.
  - **HARDWARE MONITOR** - Hier können Sie die Geschwindigkeiten der Lüfter anpassen und die Spannungen des Systems überwachen.
  - **BOARD EXPLORER** - Zeigt Ihnen Informationen über Geräte an, die an das Mainboard angeschlossen sind.
- **Menüanzeige** - Dieser Bereich ermöglicht die Konfiguration von BIOS Einstellungen.

## OC Menü

In diesem Menü können Benutzer das BIOS anpassen und das Mainboard übertakten. Bitte führen Sie nur Änderungen durch, wenn Sie sich über das Ergebnis im Klaren sind. Sie sollten Erfahrung beim Übertakten haben, da Sie sonst das Motherboard oder Komponenten des Systems beschädigen können.



### Wichtig

- Die Übertaktung ist nur für fortgeschrittene Benutzer zu empfehlen.
- Eine erfolgreiche Übertaktung ist nicht gewährleistet. Die Anwendung von Übertaktungsmaßnahmen kann zu Verlust der Garantie oder zur Beschädigung der Hardware führen.
- Falls Sie sich mit der Übertaktung nicht auskennen, empfehlen wir für einfaches Übertakten die **GAME BOOST** Funktion.

#### ► OC Explore Mode [Expert]

Aktivieren oder deaktivieren Sie die Funktion, um die normale oder Expertenversion des OC-Einstellungen anzuzeigen.

[Normal] Bietet normale Übertaktungseinstellungen im BIOS-Setup.

[Expert] Bietet die erweiterten Übertaktungseinstellungen für den erfahrenen Benutzer, welche die Einstellungen im BIOS-Setup konfigurieren wollen.

Hinweis: Wir verwenden \* als Symbol für die Übertaktungseinstellungen des Erweiterten Modus.

#### ► CPU Ratio Apply Mode [All Core]\*

Legt den Modus für den angepassten CPU-Multiplikator fest. Diese Option erscheint nur, wenn eine CPU installiert ist, die die Funktion **Turbo Boost** unterstützt.

[All Core /Alle Kerne] Aktiviert die Option **CPU Ratio**. Alle CPU-Kerne können mit der gleichen CPU Taktrate betrieben werden, die in **CPU Ratio** festgesetzt wurde.

[Per Core /Pro Kern] Aktiviert die Option **X-Core Ratio Limit**. Legt die CPU Taktrate für jeden Kern in **X-Core Ratio Limit** fest.

#### ► CPU Ratio [Auto]

Legen Sie den CPU-Multiplikator fest, um die CPU-Taktfrequenzen zu bestimmen. Diese Option kann nur geändert werden, wenn der Prozessor diese Funktion unterstützt.

#### ► Adjusted CPU Frequency

Zeigt die eingestellte Frequenz der CPU an. Es handelt sich um eine Anzeige – Änderungen sind nicht möglich.

► **CPU Ratio Mode [Dynamic Mode]\***

Wählen Sie den Betriebsmodus des CPU-Multiplikators. Diese Option wird angezeigt, wenn Sie den CPU-Multiplikator manuell einstellen.

[Fixed Mode]	Legt den CPU-Multiplikator fest.
[Dynamic Mode]	Der CPU-Multiplikator wird dynamisch je nach CPU-Belastung verändert.

► **CPU Ratio Offset When Running AVX [Auto]**

Legt einen Offset-Wert fest, um die Taktrate des CPU-Kerns zu reduzieren. Es könnte für die Wärmeableitung beim Betrieb des AVX-Instruction-Set hilfreich sein. Wenn die Einstellung auf [Auto] gesetzt ist, wird das BIOS diese Einstellungen automatisch konfigurieren. Diese Option wird angezeigt, wenn die CPU diese Funktion unterstützt.

► **Ring Ratio [Auto]**

Setzen Sie den Ring Ratio. Der erlaubte Wertebereich ist abhängig von der installierten CPU.

► **Adjusted Ring Frequency**

Zeigt die angepasste Ring Frequenz. Nur Anzeige – keine Änderung möglich.

► **Misc Setting\***

Drücken Sie die Enter, + oder - Taste, um die folgenden 3 Punkte des CPU-Funktionen zu öffnen oder zu schließen.

► **EIST [Enabled]\***

Aktivieren oder deaktivieren Sie die Enhanced Intel® SpeedStep Technologie.

[Enabled]	Aktiviert EIST, um die CPU-Spannung und Taktfrequenz dynamisch anzupassen. Diese Funktion kann den durchschnittlichen Stromverbrauch und die durchschnittliche Hitzeentwicklung verringern.
[Disabled]	Deaktiviert EIST.

► **Intel Turbo Boost [Enabled]\***

Aktivieren oder deaktivieren Sie Intel® Turbo Boost. Diese Option wird angezeigt, wenn die installierte CPU diese Einstellungen unterstützt.

[Enabled]	Aktivieren Sie diese Funktion, um die CPU-Leistung automatisch zu erhöhen, wenn das System mehr Leistung benötigt.
[Disabled]	Deaktivieren Sie diese Funktion.

► **Enhanced Turbo [Auto]\***

Aktivieren oder deaktivieren Sie die Enhanced Turbo Funktion für alle CPU-Kerne, um die CPU-Leistung zu steigern. Diese Option wird angezeigt, wenn die installierte CPU diese Einstellungen unterstützt.

[Auto]	Diese Einstellungen werden vom BIOS automatisch konfiguriert.
[Enabled]	Alle CPU-Kerne werden mit maximalem Turbo konfiguriert.
[Disabled]	Deaktivieren Sie diese Funktion.

### ► Extreme Memory Profile (X.M.P.) [Disabled]

Extreme Memory Profile (XMP) basieren auf Zertifizierungen für Speichermodule aus dem PC-Bereich. Aktivieren Sie die Funktion XMP oder wählen Sie ein Profil des Speichermoduls zum Übertakten aus. Diese Option steht zur Verfügung, wenn die installierten Speichermodule die XMP Technik unterstützen.

### ► CPU Base Clock (MHz)

Hier können Sie den CPU Grundtakt anpassen. Sie können die CPU übertakten, indem Sie diesen Wert verändern. Bitte beachten Sie, dass die Übertaktung (und das Ergebnis) und die Stabilität nicht gewährleistet sind. Diese Option wird angezeigt, wenn der installierte Prozessor diese Funktion unterstützt.

### ► CPU Base Clock Apply Mode [Auto]\*

Einstellung des angepassten CPU Grundtakts.

[Auto] Diese Einstellungen werden vom BIOS automatisch konfiguriert.

[Next Boot] Die CPU arbeitet mit angepasstem CPU Grundtakt nach einem Neustart.

[Immediate] Die CPU arbeitet mit angepasstem CPU Grundtakt sofort.

### ► Direct OC Button [Enabled]

Aktiviert oder deaktiviert die Grundtakt-Taste für Realtime-Übertaktung.

### ► Direct OC Step (MHz) [1.00]\*

Legt einen zunehmenden oder abnehmenden Wert der BCLK-Frequenz bei jeder Betätigung entweder Grundtakt-Taste (+ oder -) fest.

### ► Clockgen Features

Drücken Sie die **Eingabetaste <Enter>**, um das Untermenü aufzurufen. Steuert die Einstellungen des CPU-Takts.

#### ► Dynamic Frequency Control [Disabled]

Aktiviert oder deaktiviert diese Funktion. Mit dem Funktion läuft die CPU auf verschiedenen CPU-BCLK beim CPU Belastung, um das System zu übertakten. Wenn **Dynamic Frequency Search** aktiviert ist, wird dieser Punkt deaktiviert.

#### ► DFC Baseline (MHz) [Auto]

Setzt anfängliche BCLK für dynamische Übertaktung, wenn der Strom den Schwellenwert nicht erreicht. Wenn **Dynamic Frequency Control** aktiviert ist, wird dieser Punkt aktiviert.

#### ► Threshold 1~3 (A) [Auto]

Stellt einen Stromwert als Schwellenwert für **Dynamic Frequency Control** ein. Wenn der CPU-Strom den Wert erreicht, wird es die **Level 1/ 2/ 3 BCLK** für dynamische Overclocking läuft. Diese Optionen werden nur angezeigt, wenn **Dynamic Frequency Control** aktiviert ist.

#### ► Level 1~3 BCLK (MHz) [Auto]

Stellt eine CPU BCLK für den Schwellenwert. Diese Optionen werden nur angezeigt, wenn **Dynamic Frequency Control** aktiviert.

#### ► Dynamic Frequency Search [Disabled]

Aktiviert oder deaktiviert die Optimierung der dynamischen BCLK. Dieser Punkt wird deaktiviert, wenn **Dynamic Frequency Control** aktiviert ist.

### ► **Dynamic Frequency Search Mode [Once]**

Legt den Suchmodus der dynamischen BCLK fest. Dieser Punkt wird aktiviert, wenn **Dynamic Frequency Search** aktiviert ist.

[Once] CPU BCLK-Optimierung nur einmal durchführen beim nächsten Start.

[Each Power On] Laufen immer CPU BCLK-Optimierung bei jedem Starten.

### ► **Dynamic Frequency Search Step (MHz) [Auto]**

Setzt die erhöhte Wert für die dynamische BCLK-Übertaktung. Wenn die Einstellung auf **Auto** gesetzt ist, wird das BIOS diese Einstellungen automatisch konfigurieren. Dieser Punkt wird aktiviert, wenn **Dynamic Frequency Search** aktiviert ist.

### ► **BCLK Amplitude [Auto]**

Setzt den Wert des BCLK Amplitudes für Übertaktung. Höherer Wert könnten hilfreich sein, um einen höheren Übertaktungswert zu bekommen.

### ► **SRC Clock Amplitude [Auto]**

Setzt den Wert des SRC Takt Amplitudes.

### ► **SATA Clock Amplitude [Auto]**

Setzt den Wert des SATA Takt Amplitudes.

### ► **BCLK Slew Rate [Auto]**

Setzt den Wert des BCLK Slew Rate für Übertaktung. Der Wert kann abhängig von den aktuellen Übertaktung-Szenario variieren.

### ► **BCLK ORT Duration [Auto]**

Setzt den Wert des BCLK ORT Dauer für Übertaktung. Der Wert kann abhängig von den aktuellen Übertaktung-Szenario variieren.

### ► **DRAM Reference Clock [Auto]\***

Setzen Sie den DRAM-Referenztakt. Der erlaubte Wertebereich ist abhängig von der installierten CPU. Diese Option wird angezeigt, wenn die installierte CPU diese Einstellungen unterstützt.

### ► **DRAM Frequency [Auto]**

Setzen Sie die DRAM Frequenz. Bitte beachten Sie, dass ein zuverlässiges Übertaktungsverhalten nicht garantiert werden kann.

### ► **Adjusted DRAM Frequency**

Zeigt die Speicherfrequenz an. Nur Anzeige – keine Änderung möglich.

### ► **Memory Try It ! [Disabled]**

Die Option „Memory Try It!“ dient der Verbesserung der Speicherkompatibilität oder auch der Speicherleistung durch die Auswahl der optimierten Speicher-Voreinstellungen.

### ► **DRAM Timing Mode [Link]**

Wählt den Speicher-Timing-Modus aus.

[Link] Ermöglicht die manuelle Konfigurieren des DRAM-Timing für alle Speicherkanäle.

[UnLink] Ermöglicht die manuelle Konfigurieren des DRAM-Timing für die einzelnen Speicherkanäle.

### ► **Advanced DRAM Configuration**

Drücken Sie die **Eingabetaste <Enter>**, um das Untermenü aufzurufen. Der Anwender kann die Speicher-Timing für jeden Kanal des Speichers einstellen. Das System könnte nach dem Ändern der Speicher-Timings instabil werden oder nicht mehr booten. Wenn Instabilität auftritt, löschen Sie bitte die CMOS-Daten und stellen Sie die Standardeinstellungen wieder her. (Lesen Sie bitte den Abschnitt „Clear CMOS Steckbrücke/ Taste“, um die CMOS-Daten zu löschen, und die Standardeinstellungen auf das BIOS zu laden.)

### ► **Memory Fast Boot [Auto]\***

Aktivieren oder deaktivieren Sie die die Initiierung und Prüfung des Speichers für jeden Boot.

- |            |   |
|------------|---|
| [Auto]     | Diese Einstellungen werden vom BIOS automatisch konfiguriert.   |
| [Enabled]  | Der Vorgang der Initiierung und Prüfung des Hauptspeichers wird aus dem Archiv der ersten Initiierung imitiert um den Systemstart zu beschleunigen. |
| [Disabled] | Der Speicher wird bei jedem Boot-Vorgang vollständig neu initiiert und geprüft.   |

### ► **DigitALL Power**

Drücken Sie die **Eingabetaste <Enter>**, um das Untermenü aufzurufen. Steuert die digitale CPU PWM.

### ► **VCCIN Voltage [Auto]**

Legen Sie die CPU Eingangsspannung fest. Die CPU Eingangsspannung ist die CPU Stromquelle, die durch Komponenten der CPU gemeinsam genutzt wird.

### ► **CPU Voltages control [Auto]**

Erlaubt das Einstellen der CPU-Spannungen. Wenn die Einstellung auf **Auto** gesetzt ist, wird das BIOS die Spannungen automatisch einstellen oder Sie können es manuell einstellen.

### ► **DRAM Voltages control [Auto]**

Erlaubt das Einstellen der DRAM-Spannungen. Wenn die Einstellung auf **Auto** gesetzt ist, wird das BIOS die Spannungen automatisch einstellen oder Sie können es manuell einstellen.

### ► **PCH Voltages control [Auto] (optional)**

Erlaubt das Einstellen der PCH-Spannungen. Wenn die Einstellung auf **Auto** gesetzt ist, wird das BIOS die Spannungen automatisch einstellen oder Sie können es manuell einstellen.

### ► **CPU Memory Changed Detect [Enabled]\***

Aktiviert/Deaktiviert die Systemwarnmeldung beim Booten, wenn die CPU oder der Hauptspeicher ersetzt wurde.

- |            |  |
|------------|--|
| [Enabled]  | Das System zeigt eine Warnmeldung beim Systemstart und lädt die Default-Einstellungen für neue Geräte. |
| [Disabled] | Deaktivierung der Funktion und Beibehaltung der aktuellen BIOS-Einstellungen.                          |

### ► CPU Specifications

Drücken Sie die **Eingabetaste <Enter>**, um das Untermenü aufzurufen. Das Untermenü zeigt die Informationen der installierten CPU an. Zu diesen Informationen gelangen Sie, indem Sie die Taste [F4] drücken. Nur Anzeige.

#### ► CPU Technology Support

Drücken Sie die **Eingabetaste <Enter>**, um das Untermenü aufzurufen. Das Untermenü zeigt die wichtigsten Eigenschaften der installierten CPU an.

### ► MEMORY-Z

Drücken Sie die **Eingabetaste <Enter>**, um das Untermenü aufzurufen. Dieses Untermenü zeigt alle Einstellungen und Timings des installierten Speichers. Zu diesen Informationen gelangen Sie auch, indem Sie die Taste [F5] drücken.

#### ► DIMMx Memory SPD

Drücken Sie die **Eingabetaste <Enter>**, um das Untermenü aufzurufen. Das Untermenü zeigt die Informationen des verwendeten Speichers an. Nur Anzeige.

### ► CPU Features

Drücken Sie die **Eingabetaste <Enter>**, um das Untermenü aufzurufen.

#### ► Hyper-Threading [Enabled]

Die Intel Hyper-Threading Technologie behandelt die Prozessorkerne innerhalb des Prozessors als multi-logische Prozessoren, die Anweisungen simultan durchführen können. Dadurch tritt eine wesentliche Verbesserung der Systemleistung ein. Diese Option wird angezeigt, wenn die installierte CPU diese Einstellungen unterstützt.

[Enable] Aktiviert die Intel Hyper-Threading Technologie.

[Disabled] Deaktiviert die Option, wenn das System die HT-Funktion nicht unterstützt.

#### ► Limit CPUID Maximum [Disabled]

Aktiviert oder deaktiviert den erweiterten CPUID-Wert.

[Enabled] Das BIOS begrenzt den maximalen CPUID Eingabewert, um Bootprobleme mit älteren Betriebssystem zu umgehen, die den Prozessor mit erweitertem CPUID-Wert nicht unterstützen.

[Disabled] Verwenden Sie den maximalen CPUID Eingabewert.

#### ► Intel Virtualization Tech [Enabled]

Aktiviert oder deaktiviert die Intel Virtualization Technologie.

[Enabled] Aktiviert die Intel Virtualization-Technologie, die es mehreren Betriebssystemen ermöglicht, in voneinander unabhängigen Partitionen zu arbeiten. Das System kann als mehrere Systeme virtuell einsetzen.

[Disabled] Deaktiviert diese Funktion.

#### ► Intel VT-D Tech [Disabled]

Aktiviert oder deaktiviert die Intel VT-D (Intel Virtualization for Directed I/O) Technologie.

#### ► **Hardware Prefetcher [Enabled]**

Aktivieren oder deaktivieren Sie das Hardware Prefetcher (MLC Streamer prefetcher).

[Enabled] Der CPU Hardware Prefetcher kann frühzeitig Daten und Anweisungen aus dem Speicher in den L2-Cache laden um die Cache-Latency Zeiten zu reduzieren.

[Disabled] Deaktiviert den Hardware Prefetcher.

#### ► **Adjacent Cache Line Prefetch [Enabled]**

Aktiviert oder deaktiviert den CPU Hardware Prefetcher (MLC Spatial prefetcher).

[Enabled] Ermöglicht Adjacent Cache Line Prefetch zur Verringerung der Cache Latenzzeit und zur Leistungssteigerung von Applikationen.

[Disabled] Aktiviert nur die angeforderten Cache-Zeilen.

#### ► **CPU AES Instructions [Enabled]**

Aktiviert oder deaktiviert die CPU AES (Advanced Encryption Standard-New Instructions) Unterstützung. Diese Option wird angezeigt, wenn die CPU diese Funktion unterstützt.

#### ► **Intel Adaptive Thermal Monitor [Enabled]**

Aktiviert oder deaktiviert die Intel Adaptive Thermal-Monitor-Funktion, um die CPU vor Überhitzung zu schützen.

[Enabled] Drosselt den CPU Kerntakt, wenn die CPU-Temperatur über die adaptive Temperatur steigt.

[Disabled] Deaktiviert diese Funktion.

#### ► **Intel C-State [Auto]**

Aktiviert oder deaktiviert das Intel C-State. C-State ist eine durch ACPI definierte Prozessor-Power-Management-Technologie.

[Auto] Diese Einstellungen werden vom BIOS automatisch konfiguriert.

[Enabled] Ermöglicht die Erkennung, wann sich das System im Leerlauf befindet und senkt den CPU-Stromverbrauch entsprechend.

[Disabled] Deaktiviert diese Funktion.

#### ► **C1E Support [Disabled]**

Aktiviert oder deaktiviert die C1E-Funktion für Stromersparnis im Leerlauf. Diese Option wird angezeigt, wenn **Intel C-State** aktiviert ist.

[Enabled] Ermöglicht die C1E Funktion, um die CPU-Frequenz und Spannung zur Stromersparnis im Leerlauf zu reduzieren.

[Disabled] Deaktiviert diese Funktion.

#### ► **Package C State Limit [Auto]**

Hier können Sie einen CPU C-State-Modus für Stromsparen auswählen, wenn das System im Leerlauf ist. Die Optionen des C-States ist abhängig von der installierten CPU. Diese Option wird angezeigt, wenn **Intel C-State** aktiviert ist.

#### ► **CFG Lock [Enabled]**

Sperrt oder Entsperrt des MSR 0xE2[15]s, des CFG Lock-Bits.

[Enabled] Sperrt das CFG Lock-Bit.

[Disabled] Entsperrt das CFG Lock-Bit.

► **Long Duration Power Limit (W) [Auto]**

Hier stellen Sie die TDP Leistungsgrenze für die CPU in Turbo Boost Modus ein.

► **Long Duration Maintained (s) [Auto]**

Hier stellen Sie den Zeitraum (ms) für die TDP Leistungsgrenze (W) ein.

► **Short Duration Power Limit (W) [Auto]**

Hier stellen Sie die TDP Leistungsgrenze für CPU in Turbo Boost Modus ein.

► **CPU Current Limit (A) [Auto]**

Hier legen Sie die maximale Stromgrenze der CPU im Turbo Boost Modus fest. Wenn der Strom über den angegebenen Grenzwert steigt, verringert die CPU automatisch Core-Frequenz.

► **Internal VR OVP OCP Protection [Auto]**

Aktivieren oder deaktivieren Sie den Überspannungsschutz und Überstromschutz für den CPU internen Spannungsregulator (VR/ Voltage Regulator).

- [Auto] Diese Einstellungen werden vom BIOS automatisch konfiguriert.
- [Enabled] Legt die Spannungsbegrenzung der CPU internen VR für Überspannungsschutz und Überstromschutz.
- [Disabled] Deaktivieren Sie diese Funktion zum Übertakten.

► **Internal VR Efficiency Management [Auto]**

Aktiviert oder deaktiviert das internen CPU-VR Effizienzmanagement.

- [Auto] Diese Einstellungen werden vom BIOS automatisch konfiguriert.
- [Enabled] Aktivierung des VR Effizienzmanagements für Energieersparnis.
- [Disabled] Deaktivierung dieser Funktion.

# Softwarebeschreibung

## Installation von Windows® 10

1. Schalten Sie den Computer ein.
2. Legen Sie die Windows® 10 Disk in das optisches Laufwerk.
3. Drücken Sie die Taste **Restart** auf dem Computergehäuse.
4. Drücken Sie die **F11**-Taste während des POST-Vorgangs (Power-On Self Test), um das Bootmenu zu öffnen.
5. Wählen Sie das optische Laufwerk aus dem Bootmenu.
6. Wenn eine entsprechende Meldung **Press any key to boot from CD or DVD...** angezeigt wird, drücken Sie eine beliebige Taste.
7. Folgen Sie den Anweisungen auf dem Bildschirm, um das Dienstprogramm „Windows® 10“ zu installieren.

## Installation von Treibern

1. Starten Sie Ihren Computer mit Windows® 10.
2. Legen Sie die MSI® Treiber Disk in das optisches Laufwerk.
3. Der Installer wird automatisch erscheint und findet und finden Sie die benötigten Treiber in die Liste.
4. Klicken Sie auf **Install**.
5. Die Software-Installation ist im Gange. Wenn die Installation abgeschlossen ist, werden Sie dazu aufgefordert, den Computer neu zu starten.
6. Klicken Sie auf **OK** zum Beenden.
7. Starten Sie Ihren Computer neu.

## Installation von Utilities

Bevor Sie Anwendungen installieren, müssen Sie die Treiber-Installation vollständig beendet haben.

1. Legen Sie die MSI® Treiber Disk in das optisches Laufwerk.
2. Der Installer wird automatisch erscheint.
3. Klicken Sie auf **Utilities**.
4. Wählen Sie die Dienstprogramme, die installiert werden soll.
5. Klicken Sie die Taste **Install**.
6. Die Utilities-Installation ist im Gange. Wenn die Installation abgeschlossen ist, werden Sie dazu aufgefordert, den Computer neu zu starten.
7. Klicken Sie auf **OK** zum Beenden.
8. Starten Sie Ihren Computer neu.



# Table des matières

<b>Informations de sécurité</b> .....	<b>3</b>
<b>Spécifications</b> .....	<b>4</b>
<b>Panneau arrière Entrée/ Sortie</b> .....	<b>12</b>
Tableau explicatif de l' état de la LED du port LAN .....	12
Configuration des ports audio.....	12
Realtek HD Audio Manager .....	13
Installation des antennes .....	15
<b>Vue d' ensemble des composants</b> .....	<b>16</b>
Socket processeur .....	17
Slots DIMM .....	18
PCI_E1~6: Slots d' extension PCIe .....	21
Tableaux de debit des slots PCIe et M2_3.....	21
U2_1: Port U.2.....	24
M2_1~3: Slots M.2 (Touche M).....	25
Installer la carte M.2 Xpander-Z .....	27
SATA1~10: Connecteurs SATA 6 Gb/s .....	28
JFP1, JFP2: Connecteurs de panneau avant .....	29
OC1: Molette GAME BOOST .....	30
OC_RT1: Cavalier OC Retry (retenter l' OC) .....	31
OC_FS1: Cavalier OC Force Enter BIOS (forcer l' entrée de l' OC dans le BIOS) 31	
JSLow1: Cavalier de démarrage du mode ralenti.....	32
CPU_PWR1~2, ATX_PWR1, JPWR1: Connecteurs d' alimentation.....	33
JUSB1~2: Connecteurs USB 2.0.....	34
JUSB3~4: Connecteurs USB 3.1 Gen1 .....	34
JUSB5: Connecteur USB 3.1 Gen2 Type-C.....	35
CPU_FAN1, PUMP_FAN1, SYS_FAN1~4, EXS_FAN1~4: Connecteurs pour ventilateurs.....	36
T_SEN1: Connecteur de capteur thermique.....	36
JAUD1: Connecteur audio avant.....	37
JCI1: Connecteur intrusion châssis .....	37
JTPM1: Connecteur de module TPM.....	38
JBAT1: Cavalier Clear CMOS (Réinitialisation BIOS) .....	38
BIOS_SW1: Interrupteur Multi-BIOS.....	39
POWER1, RESET1: Boutons d' alimentation et de réinitialisation .....	40
Bouton Plus, bouton Minus: boutons BCLK-Ratio.....	40
VRAID1: Connecteur Virtual Raid on CPU .....	41
JLED1: Connecteur LED RGB.....	41

<b>Indicateurs LED embarqués.....</b>	<b>42</b>
EZ Debug LED.....	42
Indicateurs LED du slot PCIe x16.....	42
Indicateurs LED des barrettes DIMM.....	42
Indicateur LED du mode XMP.....	42
Indicateurs LED des ventilateurs.....	43
Indicateurs de vitesse des ventilateurs.....	43
Indicateurs LED de Multi-BIOS.....	43
JPWRL1: Connecteur LED de démonstration.....	43
Debug Code LED.....	44
Tableau des caractères hexadécimaux.....	44
Phase de démarrage.....	44
Tableau de Debug Code LED.....	44
Codes d' état ACPI.....	47
Température du processeur.....	47
Mettre le firmware LED à jour.....	48
<b>Configuration du BIOS.....</b>	<b>49</b>
Entrer dans l' interface Setup du BIOS.....	49
Réinitialiser le BIOS.....	50
Mettre le BIOS à jour.....	50
EZ Mode (mode simplifié).....	52
Advanced Mode (mode avancé).....	54
OC Menu (menu overlocking).....	55
<b>Informations sur les logiciels.....</b>	<b>63</b>
Installer Windows® 10.....	63
Installer les pilotes.....	63
Installer les utilitaires.....	63

# Informations de sécurité

- Les composants dans l' emballage peuvent être endommagés par des décharges électrostatiques (ESD). Pour vous assurer de correctement monter votre ordinateur, veuillez vous référer aux instructions ci-dessous.
- Assurez-vous de bien connecter tous les composants. En cas de mauvaise connexion, il se peut que l' ordinateur ne reconnaisse pas le composant et que le démarrage échoue.
- Veuillez tenir la carte mère par les bords pour éviter de toucher les composants sensibles.
- Il est recommandé de porter un bracelet antistatique lors de la manipulation de la carte mère pour prévenir tout dommage. Si vous n' avez pas de bracelet antistatique, touchez un objet métallique relié à la terre avant de manipuler la carte mère afin de vous décharger de votre charge statique. Touchez régulièrement l' objet métallique pendant toute la manipulation.
- Tant que la carte mère n' est pas installée, conservez-la dans un récipient protégé contre les ondes électrostatiques ou sur une couche antistatique.
- Avant de démarrer l' ordinateur, vérifiez si toutes les vis et les composants métalliques sont bien fixés sur la carte mère ou ailleurs dans le boîtier de l' ordinateur.
- Ne démarrez pas l' ordinateur avant d' avoir terminé l' installation. Ceci peut endommager les composants ou vous blesser.
- Si vous avez besoin d' aide pendant l' installation, veuillez consulter un technicien informatique certifié.
- Avant d' installer les composants d' ordinateur, veuillez toujours mettre hors tension et débrancher le cordon d' alimentation.
- Gardez ce manuel pour références futures.
- Protégez ce manuel contre l' humidité.
- Avant de brancher le bloc d' alimentation sur la sortie électrique, veuillez vous assurer que la tension de la sortie électrique est bien égale à celle du bloc d' alimentation.
- Placez le cordon d' alimentation de façon à éviter que l' on marche dessus. Ne posez rien sur le cordon d' alimentation.
- Veuillez prêter attention à toutes les alertes et remarques indiquées sur la carte mère.
- Dans un cas comme ci-dessous, faites appel au service autorisé pour vérifier votre carte mère :
  - Un liquide a pénétré dans l' ordinateur.
  - La carte mère a été exposée à de l' humidité.
  - La carte mère ne fonctionne pas comme indiqué dans les instructions.
  - La carte mère est tombée par terre et a été endommagée.
  - La carte mère est cassée.
- Ne pas mettre la carte mère dans un environnement dont la température est supérieure à 60°C (140°F) sous peine de l'endommager.

# Spécifications

<b>CPU</b>	Support la famille des processeurs de série X Intel® Core™ pour socket LGA2066
<b>Chipset</b>	Chipset Intel® X299
<b>Mémoire</b>	<ul style="list-style-type: none"> <li>• 8 x slots pour mémoire DDR4, support jusqu' à 128 Go*</li> <li>• Architecture de mémoire à quatre canaux avec un processeur supportant jusqu' à quatre canaux DDR4**             <ul style="list-style-type: none"> <li>▪ Les processeurs de série X supportent DDR4 4133(OC)/4000(OC)/3866(OC)/3800(OC)/3733(OC)/3600(OC)/3466(OC)/3400(OC)/3333(OC)/3200(OC)/3000(OC)/2933(OC)/2800(OC)/2667/2400/2133 MHz*</li> </ul> </li> <li>• Architecture de mémoire à double canal avec un processeur supportant jusqu' à double canal DDR4**             <ul style="list-style-type: none"> <li>▪ Les processeurs de série X supportent DDR4 4500(OC)/4400(OC)/4333(OC)/4266(OC)/4200(OC)/4133(OC)/4000(OC)/3866(OC)/3800(OC)/3733(OC)/3600(OC)/3466(OC)/3400(OC)/3333(OC)/3200(OC)/3000(OC)/2933(OC)/2800(OC)/2667/2400/2133 MHz*</li> </ul> </li> <li>• Support Intel® Extreme Memory Profile (XMP)</li> </ul> <p>* Veuillez vous référer au site <a href="http://www.msi.com">http://www.msi.com</a> pour les dernières informations sur la mémoire.</p> <p>** Référez-vous à la section des supports DIMM pour plus de détails.</p>
<b>Slots d' extension</b>	<ul style="list-style-type: none"> <li>• 4 x slots PCIe 3.0 x16             <ul style="list-style-type: none"> <li>▪ Support les modes x16/x0/x16/x8, x8/x8/x16/x8 avec un processeur supportant 44 lignes.*</li> <li>▪ Support les modes x16/x0/x8/x4, x8/x8/x8/x4 avec un processeur supportant 28 lignes.*</li> <li>▪ Support le mode x8/x0/x4/x4 avec un processeur supportant 16 lignes.*</li> </ul> </li> <li>• 1 x slot PCIe 3.0 x1</li> </ul> <p>* Référez-vous à la page 21 pour le tableau représentatif de la bande passante du slot PCIe 3.0.</p>
<b>Multi-GPU</b>	<ul style="list-style-type: none"> <li>• Support de la technologie NVIDIA® SLI™</li> <li>• Support de la technologie AMD® CrossFire™</li> </ul>
<b>LAN</b>	<ul style="list-style-type: none"> <li>• 1 x contrôleur Intel I219-V Gigabit LAN</li> <li>• 1 x contrôleur Intel I211 Gigabit LAN</li> </ul>

Suite du tableau sur la page suivante

Suite du tableau de la page précédente

<b>Wireless LAN et Bluetooth®</b>	<p>Module Intel® Dual Band Wireless-AC 8265</p> <ul style="list-style-type: none"><li>• Le module sans fil est préinstallé dans le slot M2_3 (Touche-E).</li><li>• Support Wi-Fi 802.11 a/b/g/n/ac, double bande (2.4GHz, 5GHz) jusqu' à la vitesse de 867 Mbps.</li><li>• Support Dual Mode Bluetooth® 2.1, 2.1+EDR, 3.0, 4.0, BLE, 4.2</li></ul>
<b>Stockage</b>	<p>Chipset Intel® X299</p> <ul style="list-style-type: none"><li>• 10 x ports SATA 6 Gb/s*</li><li>• 3 x slots M.2 (Touche M)*<ul style="list-style-type: none"><li>▪ Les slots M2_1 et M2_2 supportent des périphériques de stockage 2242/ 2260/ 2280/ 22110<ul style="list-style-type: none"><li>• Support jusqu' à PCIe 3.0 x4 et SATA 6 Gb/s</li></ul></li><li>▪ Le slot M2_3 supporte des périphériques de stockage 2242/ 2260/ 2280<ul style="list-style-type: none"><li>• Support jusqu' à PCIe 3.0 x4</li></ul></li><li>▪ Intel® Optane™ Memory Ready pour les slots M2_1 et M2_2 **</li></ul></li><li>• 1 x port U.2 *<ul style="list-style-type: none"><li>▪ Support des périphériques de stockage en PCIe 3.0 x4 NVMe</li></ul></li><li>• Support de la technologie Intel® Smart Response ***</li></ul> <p>* Les slots M.2 et les ports SATA partagent la même bande passante. Référez-vous à la page 28 pour le tableau de combinaison M.2 et SATA. ** Veuillez vous référer au manuel de configuration de la mémoire Intel® Optane™ sur le site MSI officiel. ***La prise en charge de cette fonction dépend du processeur.</p>
<b>RAID</b>	<p>Chipset Intel® X299</p> <ul style="list-style-type: none"><li>• Support des architectures RAID 0, RAID 1, RAID 5 et RAID 10 pour les périphériques de stockage SATA</li><li>• Support des architectures RAID 0 et RAID 1 pour les périphériques de stockage M.2 PCIe*</li></ul> <p>* La configuration RAID du SSD PCIe M.2 peut être créée avec M.2 GENIE.</p>

Suite du tableau sur la page suivante

Suite du tableau de la page précédente

<b>USB</b>	<ul style="list-style-type: none"><li>• Chipset ASMedia® ASM3142<ul style="list-style-type: none"><li>▪ 3 x ports USB 3.1 Gen2 SuperSpeed USB 10Gbps (1 port Type-A et 1 port Type-C sur le panneau arrière, 1 port Type-C disponible par l'intermédiaire du connecteur USB interne)</li></ul></li><li>• Chipset ASMedia® ASM1074<ul style="list-style-type: none"><li>▪ 6 x ports USB 3.1 Gen1 SuperSpeed USB sur le panneau arrière</li></ul></li><li>• Chipset Intel® X299<ul style="list-style-type: none"><li>▪ 4 x ports USB 3.1 Gen1 SuperSpeed USB disponibles par l'intermédiaire des connecteurs USB internes</li><li>▪ 6 x ports USB 2.0 High-speed USB (2 ports Type-A sur le panneau arrière, 4 ports disponibles par l'intermédiaire des connecteurs USB internes)</li></ul></li></ul>
<b>Connecteurs sur le panneau arrière</b>	<ul style="list-style-type: none"><li>• 1 x bouton Clear CMOS</li><li>• 1 x bouton Flash BIOS</li><li>• 1 x port combo clavier/ souris PS/2</li><li>• 2 x ports USB 2.0 Type-A<ul style="list-style-type: none"><li>▪ 1 x port Flash BIOS</li></ul></li><li>• 6 x ports USB 3.1 Gen1 Type-A</li><li>• 2 x ports LAN (RJ45)</li><li>• 1 x port USB 3.1 Gen2 Type-A</li><li>• 1 x port USB 3.1 Gen2 Type-C</li><li>• 2 x connecteurs d'antenne Wi-Fi</li><li>• 5 x jacks audio OFC</li><li>• 1 x connecteur Sortie S/PDIF optique</li></ul>

Suite du tableau sur la page suivante

Suite du tableau de la page précédente

<b>Connecteurs internes</b>	<ul style="list-style-type: none"> <li>• 1 x connecteur d' alimentation principal ATX 24 broches</li> <li>• 1 x connecteur d' alimentation ATX 12V 8 broches</li> <li>• 1 x connecteur d' alimentation ATX 12V 4 broches</li> <li>• 1 x connecteur d' alimentation ATX 12V 4 broches à plat*</li> <li>• 10 x connecteurs SATA 6 Gb/s</li> <li>• 2 x connecteurs USB 2.0 (support de 4 autres ports USB 2.0)</li> <li>• 2 x connecteurs USB 3.1 Gen1 (support de 4 autres ports USB 3.1 Gen1)</li> <li>• 1 x port USB 3.1 Gen2 Type-C</li> <li>• 1 x connecteur de ventilateurs CPU 4 broches</li> <li>• 1 x connecteur de ventilateurs 4 broches pour la pompe à eau</li> <li>• 4 x connecteurs de ventilateurs système 4 broches</li> <li>• 4 x connecteurs à 4 broches pour câble d' extension ventilateur</li> <li>• 2 x connecteurs de panneau avant</li> <li>• 1 x connecteur audio avant</li> <li>• 1 x connecteur LED RGB</li> <li>• 1 x connecteur de module TPM</li> <li>• 1 x connecteur Virtual Raid on CPU</li> <li>• 1 x connecteur à 2 broches pour capteur thermique</li> </ul> <p>* Fournit une alimentation supplémentaire aux slots PCIe x16.</p>
<b>Boutons internes</b>	<ul style="list-style-type: none"> <li>• 1 x molette GAME BOOST</li> <li>• 1 x bouton d' alimentation</li> <li>• 1 x bouton de réinitialisation</li> <li>• 1 x bouton BCLK+/- Ratio+</li> <li>• 1 x bouton BCLK-/- Ratio-</li> </ul>
<b>Interrupteurs</b>	<ul style="list-style-type: none"> <li>• 1 x interrupteur Multi-BIOS</li> </ul>

Suite du tableau sur la page suivante

Suite du tableau de la page précédente

<b>Cavalier</b>	<ul style="list-style-type: none"><li>• 1 x cavalier Clear CMOS</li><li>• 1 x connecteur OC Retry (retenter l' OC)</li><li>• 1 x connecteur OC Force Enter BIOS (forcer l' entrée de l' OC dans le BIOS)</li><li>• 1 x connecteur intrusion châssis</li><li>• 1 x connecteur du mode ralenti</li></ul>
<b>Debug LED</b>	<ul style="list-style-type: none"><li>• 1 x LED 2-Digit Debug Code</li></ul>
<b>Audio</b>	<ul style="list-style-type: none"><li>• Realtek® ALC1220 Codec</li><li>• Audio haute définition 7.1</li><li>• Support sortie S/PDIF</li></ul>
<b>Contrôleur E/S</b>	Contrôleur NUVOTON NCT6795
<b>Moniteur système</b>	<ul style="list-style-type: none"><li>• Détection de la température du CPU et du système</li><li>• Détection de la vitesse du ventilateur du CPU et du système</li><li>• Contrôle de la vitesse du ventilateur du CPU et du système</li></ul>
<b>Dimensions</b>	<ul style="list-style-type: none"><li>• Format EATX</li><li>• 30,5 cm x 27,2 cm (12" x 10,7")</li></ul>
<b>Fonctions BIOS</b>	<ul style="list-style-type: none"><li>• 2 x flash BIOS 128 Mb</li><li>• BIOS UEFI AMI</li><li>• ACPI 6.0, SM BIOS 3.0</li><li>• Multilingue</li></ul>

Suite du tableau sur la page suivante

Suite du tableau de la page précédente

**Logiciel**

- Pilotes
- APP MANAGER
- COMMAND CENTER
- LIVE UPDATE 6
- SMART TOOL
- DRAGON EYE
- GAMING APP
- X-BOOST
- MYSTIC LIGHT
- RAMDISK
- GAMING LAN MANAGER
- DPC LATENCY TUNER
- FAST BOOST
- SUPER CHARGER
- Nahimic Audio
- XSplit Gamecaster V2
- SteelSeriesEngine 3
- WtFast
- CPU-Z MSI GAMING
- Intel Extreme Tuning Utility
- Norton™ Internet Security Solution
- Google Chrome™, Google Toolbar et Google Drive
- TriDef® VR
- TriDef® SmartCam

Suite du tableau sur la page suivante

Suite du tableau de la page précédente

### Fonctions spéciales

- Audio
  - Audio Boost 4
  - Nahimic 2
- Network
  - GAMING LAN avec Gaming LAN Manager
  - Double LAN
  - Intel WiFi
- Stockage
  - Turbo U.2
  - Triple Turbo M.2
- Ventilateurs
  - Ventilateurs pour la pompe
  - Contrôle des ventilateurs
- LED
  - Mystic Light
  - Mystic Light Extension
  - Mystic light SYNC
  - EZ DEBUG LED
- Protection
  - Steel Armor DDR4
  - Protection M.2 Shield FROZR
  - Protection M.2 Shield
  - Steel Backplate
  - Steel Armor PCI-E
  - Steel Armor U.2
  - Steel Armor M.2
  - VR Cover

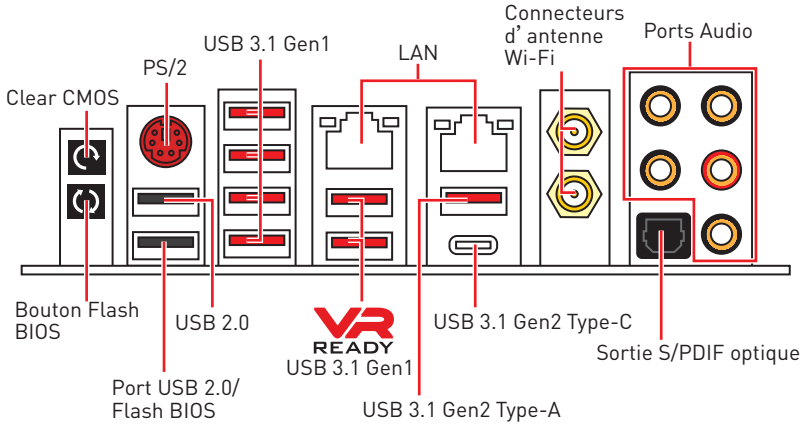
Suite du tableau sur la page suivante

Suite du tableau de la page précédente

### Fonctions spéciales

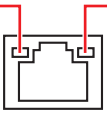
- Performance
  - Technologie Multi GPU – SLI
  - Technologie Multi GPU – CrossFire
  - DDR4 Boost
  - GAME Boost
  - OC Engine
  - Lightning USB
  - Lightning USB avant
  - Port USB de type Type A et C
- Stabilité
  - Military Class 6
  - 7000+ Quality Test
- VR
  - VR Boost
  - VR Ready
- Expérience des joueurs
  - GAMING HOTKEY
  - Contrôle de la souris GAMING
- BIOS
  - Click BIOS 5
  - Flash BIOS
  - Double BIOS
- Certification
  - Quadro SLI Ready
  - Quadro Ready
  - GAMING Certifié
  - SteelSeries Certifié

# Panneau arrière Entrée/ Sortie



- **Bouton Clear CMOS** - Eteignez votre ordinateur. Appuyez sur le bouton CMOS pendant environ 5-10 secondes pour remettre le BIOS aux valeurs par défaut.
- **Port/ bouton Flash BIOS** - Veuillez vous référer à la page 51 pour en savoir plus sur la mise à jour du BIOS avec Flash BIOS.

## Tableau explicatif de l'état de la LED du port LAN

LED indiquant la connexion et l'activité			LED indiquant la vitesse	
Etat	Description		Etat	Description
Eteint	Pas de connexion		Eteint	Débit de 10 Mbps
Jaune	Connexion correcte		Vert	Débit de 100 Mbps
Clignote	Activité en cours		Orange	Débit de 1 Gbps

## Configuration des ports audio

Ports Audio	Canal			
	2	4	6	8
Sortie centre/ Caisson de basse			●	●
Sortie audio haut-parleur arrière		●	●	●
Entrée Ligne/ Sortie audio haut-parleur côté				●
Sortie Ligne/ Sortie casque avant	●	●	●	●
Entrée Microphone				

(● : connecté, **Espace** : vide)

## Realtek HD Audio Manager

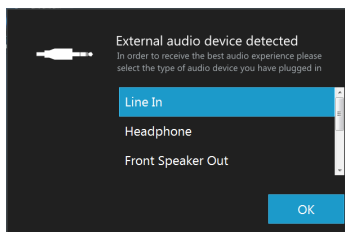
Après l'installation du pilote **Realtek HD Audio**, l'icône **Realtek HD Audio Manager** apparaît dans la barre des tâches du système. Double-cliquez sur l'icône pour lancer le programme.



- **Sélection du périphérique** - vous permet de sélectionner une source de sortie audio pour en modifier les paramètres. Le symbole de coche indique le périphérique sélectionné par défaut.
- **Amélioration d'application** - les diverses options vous fournissent un guide complet des effets acoustiques proposés pour les périphériques de sortie et d'entrée.
- **Volume principal** - contrôle le volume ou équilibre le son gauche/droite des haut-parleurs branchés sur le panneau avant ou derrière en ajustant la barre de volume.
- **Profils** - bascule entre les profils.
- **Paramètres avancés** - fournit le mécanisme pour gérer deux flux audio indépendants.
- **Etat des prises Jack** - présente tous les périphériques de diffusion et de capture connectés à votre ordinateur.
- **Paramètres du connecteur** - configure les paramètres de connexion.

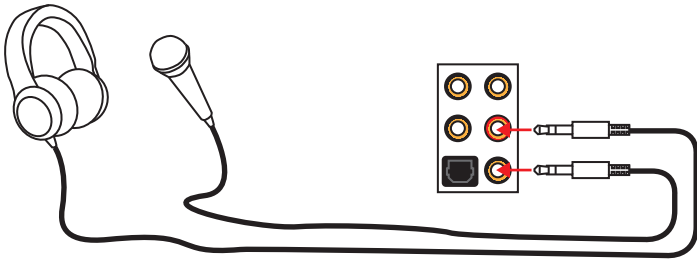
### Dialogue pop up automatique

Lorsqu'un périphérique est branché sur une prise audio, une fenêtre de dialogue apparaît vous demande de choisir le périphérique connecté que vous souhaitez utiliser.

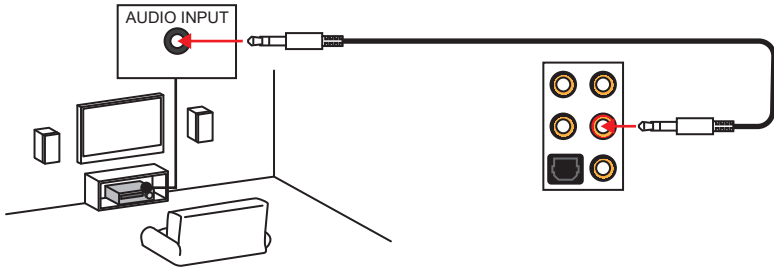


Chaque jack est réglé avec ses paramètres par défaut comme indiqué sur la page suivante.

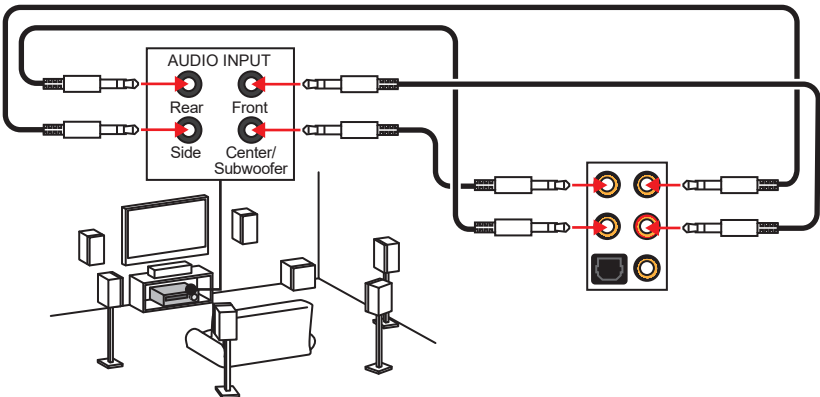
### Illustration de l' utilisation des ports audio dédiés au casque et au microphone



### Illustration de l' utilisation du port audio dédié aux haut-parleurs

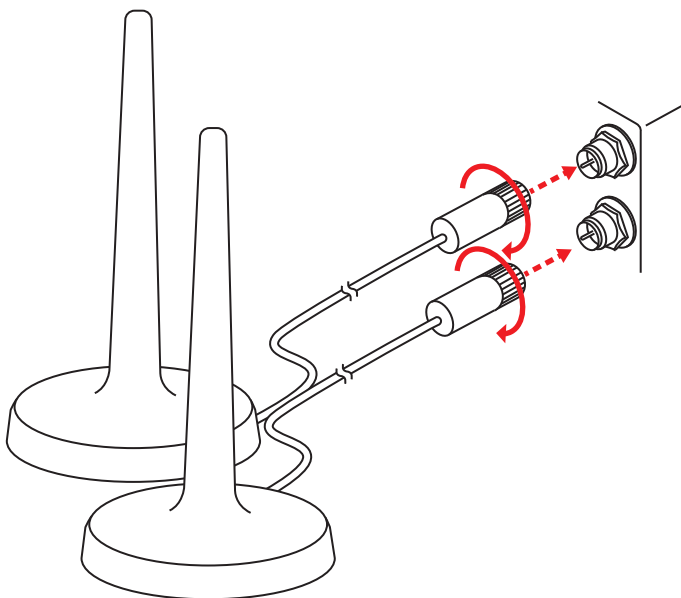


### Illustration de l' utilisation des ports audio dédiés aux haut-parleurs 7.1

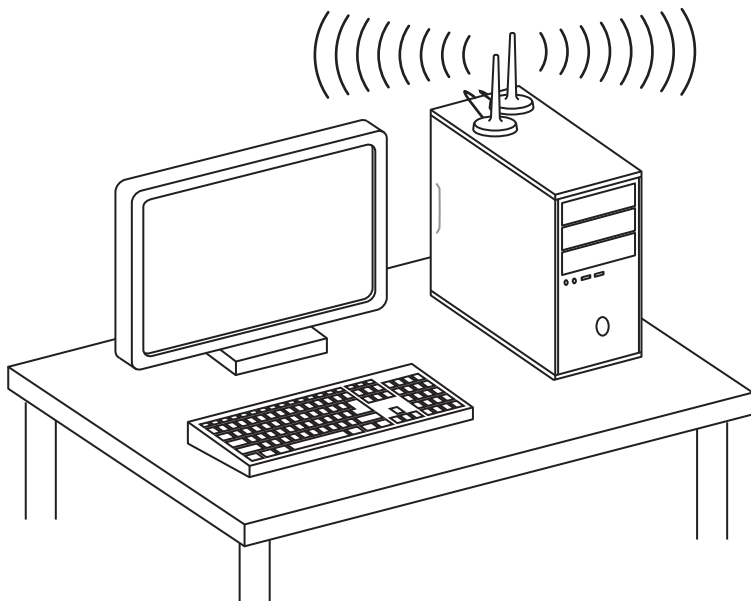


## Installation des antennes

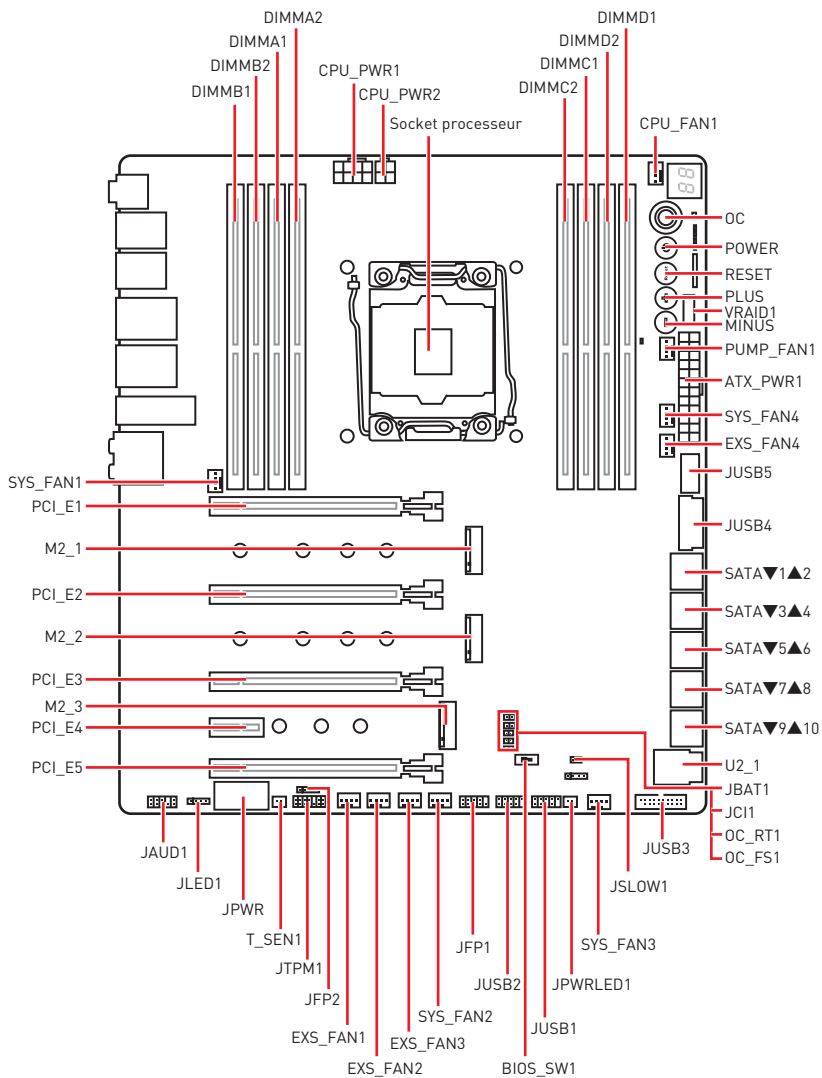
1. Vissez fermement les antennes aux connecteurs d'antenne Wi-Fi comme indiqué ci-dessous.



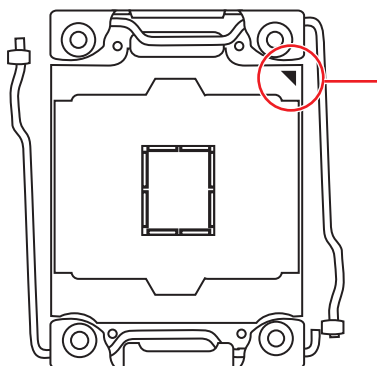
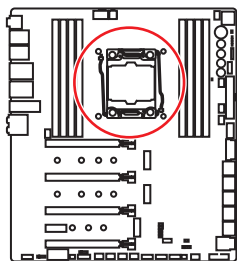
2. Placez les antennes le plus haut possible.



# Vue d'ensemble des composants

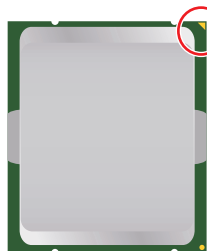


## Socket processeur



### Présentation du socket LGA 2066

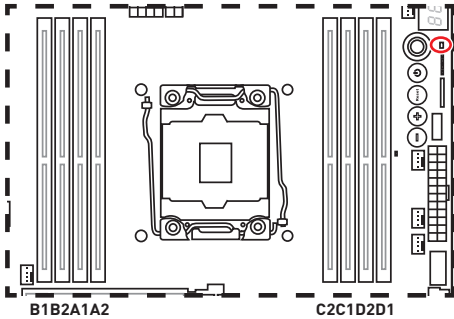
A la surface du LGA2066 CPU vous noterez quatre clés d'alignement ainsi qu'un triangle jaune pour assister l'alignement correct du CPU sur la position de carte mère. Le triangle jaune correspond à la Pin 1.



### Important

- Avant d'installer ou de retirer le processeur du socket, veuillez à toujours débrancher le câble d'alimentation de la prise électrique.
- Veuillez garder le capot de protection du processeur après l'installation du processeur. Selon les exigences de RMA (Return Merchandise Authorization), MSI n'acceptera pas les cartes mère dont le capot de protection aura été retiré.
- Lors de l'installation d'un processeur, n'oubliez pas d'installer un ventilateur pour processeur. Un ventilateur de processeur est nécessaire pour protéger le processeur contre la surchauffe et maintenir la stabilité du système.
- Assurez-vous de l'étanchéité entre le ventilateur et le processeur avant de démarrer votre système.
- La surchauffe peut facilement endommager le processeur et la carte mère. Assurez-vous toujours que le système de refroidissement fonctionne correctement pour protéger le processeur de la surchauffe. Assurez-vous d'appliquer une couche de pâte thermique (ou adhésif thermique) entre le processeur et le système de refroidissement afin d'améliorer la dissipation de la chaleur.
- Quand le processeur n'est pas installé, protégez toujours les broches de l'emplacement du processeur avec le couvercle dédié.
- Si vous avez acheté un processeur indépendamment du ventilateur, veuillez vous référer à la documentation dans le paquet du ventilateur pour plus d'informations concernant l'installation.
- Cette carte mère supporte l'overclocking. Néanmoins, veuillez vous assurer que vos composants soient capables de tolérer l'overclocking. Prenez note que l'utilisation au-delà des spécifications du constructeur n'est pas recommandée. MSI® ne garantit pas les dommages et risques causés par les utilisations non prévues dans les spécifications du produit.

## Slots DIMM



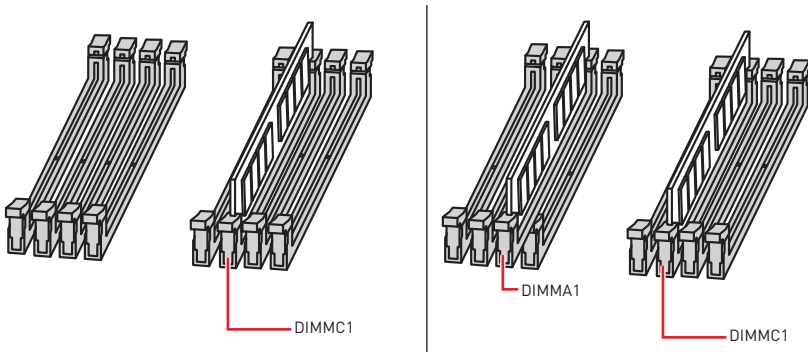
**LED S/K** : La LED S/K indique si le processeur installé supporte l'architecture de mémoire à 4 canaux ou à 2 canaux.

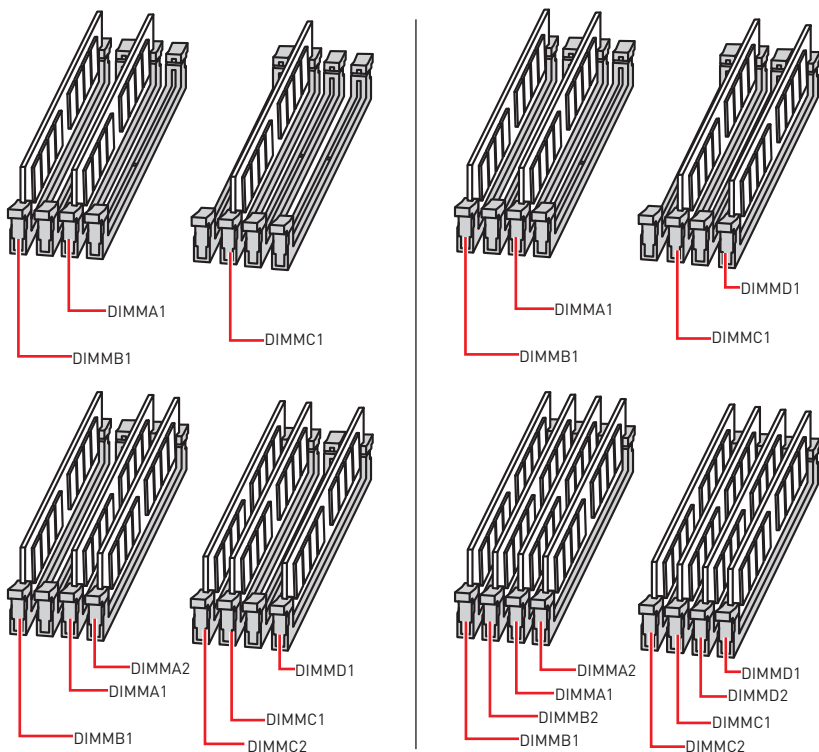
Rouge = supporte 8 DIMMs (processeur à 4 canaux)

Blanc = supporte 4 DIMMs (processeur à 2 canaux)

### Installation recommandée de module mémoire (processeur à 4 canaux)

	B1	B2	A1	A2	CPU de série X Intel Core	C2	C1	D2	D1
1 DIMM					Supporte l'architecture de mémoire à 4 canaux		✓		
2 DIMMs			✓				✓		
3 DIMMs	✓		✓				✓		
4 DIMMs	✓		✓				✓		✓
5 DIMMs	✓		✓			✓	✓		✓
6 DIMMs	✓		✓	✓		✓	✓		✓
7 DIMMs	✓	✓	✓	✓		✓	✓		✓
8 DIMMs	✓	✓	✓	✓		✓	✓	✓	✓





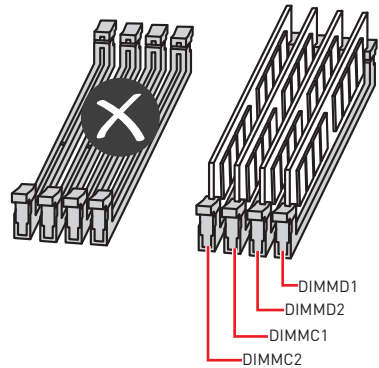
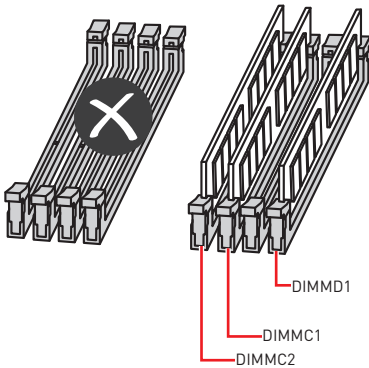
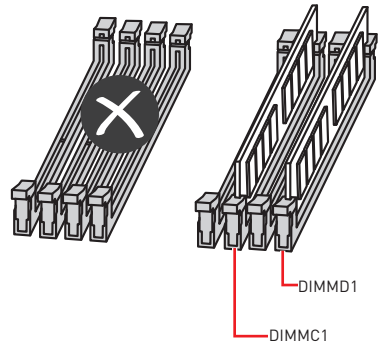
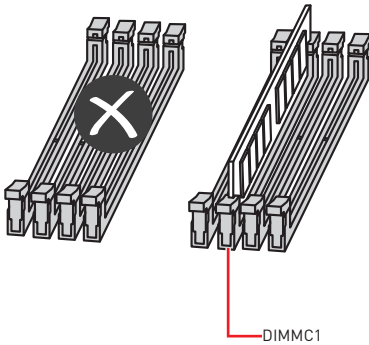
### Important

- Veillez à toujours insérer un module de mémoire dans l'emplacement **DIMMC1** en premier.
- Pour garantir la stabilité du système au mode de double/ triple/ quatre canal, assurez-vous d'installer les modules de mémoire du même type et de la même densité en mode double canal. Et pour chaque canal, l'emplacement DIMM impair doit être installé en premier.
- Du fait des ressources utilisées par le chipset, la capacité de mémoire disponible est un peu moins élevée que celle installée.
- Basé sur les spécifications du processeur Intel, une tension d'une barrette mémoire en dessous de 1.35V est conseillée pour protéger le processeur.
- Veuillez noter que la capacité maximum de la mémoire est de 4 Go ou moins pour le système d'exploitation Windows 32-bit du fait de la limitation de mémoire. Par conséquent, il est recommandé d'installer le système d'exploitation Windows 64-bit si vous voulez installer une mémoire de plus de 4 Go sur la carte mère.
- Il est recommandé d'utiliser un système de refroidissement qui sera capable de refroidir toutes les barrettes mémoire et d'offrir de bonnes performances lors d'un overlocking.
- La stabilité et la compatibilité du module de mémoire lors de l'overlocking dépendent du processeur et des périphériques installés.

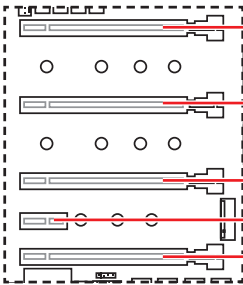
## Installation recommandée de module mémoire (processeur à 2 canaux)

	B1	B2	A1	A2	CPU de série X Intel Core	C2	C1	D2	D1
1 DIMM					Supporte l'architecture de mémoire à 2 canaux		✓		
2 DIMMs							✓		✓
3 DIMMs						✓	✓		✓
4 DIMMs						✓	✓	✓	✓

DIMMB1, B2, A1 et A2 sont indisponibles.



## PCI\_E1~6: Slots d' extension PCIe



**PCI\_E1:** PCIe 3.0 x16 (CPU lignes)

**PCI\_E2:** PCIe 3.0 x8 (CPU lignes)

**PCI\_E3:** PCIe 3.0 x16 (CPU lignes)

**PCI\_E4:** PCIe 3.0 x1 (PCH lignes)

**PCI\_E5:** PCIe 3.0 x8 (CPU lignes)

## Tableaux de debit des slots PCIe et M2\_3

### Pour les processeurs à 44 lignes

Carte Graphique	Unique	2-Way	3-Way*	3-Way	4-Way
PCI_E1	Ⓜ 3.0 x16	Ⓜ 3.0 x16	Ⓜ 3.0 x16	Ⓜ 3.0 x8	Ⓜ 3.0 x8
PCI_E2	3.0 x8	3.0 x8	—	Ⓜ 3.0 x8	Ⓜ 3.0 x8
PCI_E3	3.0 x16	Ⓜ 3.0 x16	Ⓜ 3.0 x16	Ⓜ 3.0 x16	Ⓜ 3.0 x16
PCI_E4	3.0 x1	3.0 x1	3.0 x1	3.0 x1	3.0 x1
PCI_E5	3.0 x8	3.0 x8	Ⓜ 3.0 x8	3.0 x8	Ⓜ 3.0 x8
M2_3	3.0 x4	3.0 x4	3.0 x4	3.0 x4	3.0 x4

(Ⓜ: slot de carte graphique, —: indisponible, \*: meilleure combinaison)

### Pour les processeurs à 28 lignes

Carte Graphique	Unique*	Unique	2-Way*	2-Way	3-Way*	3-Way
PCI_E1	Ⓜ 3.0 x16	Ⓜ 3.0 x16	Ⓜ 3.0 x16	Ⓜ 3.0 x8	Ⓜ 3.0 x8	Ⓜ 3.0 x8
PCI_E2	3.0 x8	3.0 x8	—	3.0 x8	Ⓜ 3.0 x8	Ⓜ 3.0 x8
PCI_E3	3.0 x8	3.0 x8	Ⓜ 3.0 x8	Ⓜ 3.0 x8	Ⓜ 3.0 x8	Ⓜ 3.0 x8
PCI_E4	3.0 x1	3.0 x1	3.0 x1	3.0 x1	3.0 x1	3.0 x1
PCI_E5	3.0 x4	—	3.0 x4	— 3.0 x4	— 3.0 x4	—
M2_3	—	3.0 x4	— 3.0 x4	— 3.0 x4	—	3.0 x4

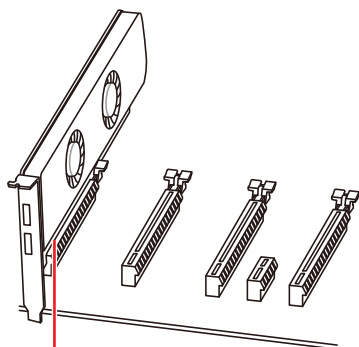
(Ⓜ: slot de carte graphique, —: indisponible, \*: meilleure combinaison)

### Pour les processeurs à 16 lignes

Carte Graphique	Unique*	Unique
PCI_E1	Ⓜ 3.0 x8	Ⓜ 3.0 x8
PCI_E2	—	—
PCI_E3	3.0 x4	3.0 x4
PCI_E4	3.0 x1	3.0 x1
PCI_E5	3.0 x4	—
M2_3	—	3.0 x4

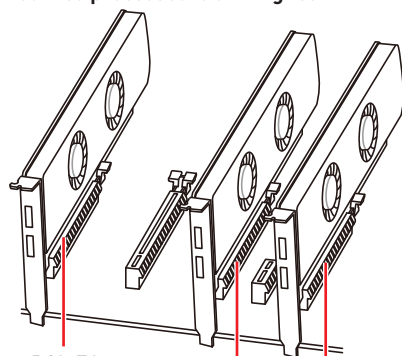
(Ⓜ: slot de carte graphique, —: indisponible, \*: meilleure combinaison)

## Installation recommandée pour une configuration multi-GPU



PCI\_E1

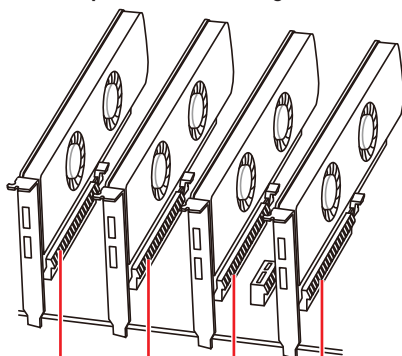
### Pour les processeurs à 44 lignes



PCI\_E1

PCI\_E3 PCI\_E5

### Pour les processeurs à 44 lignes



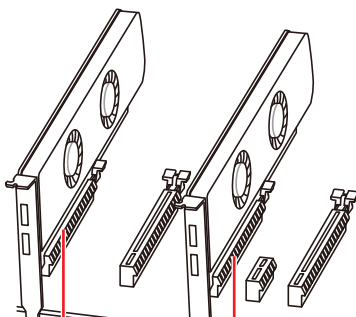
PCI\_E1

PCI\_E2

PCI\_E3

PCI\_E5

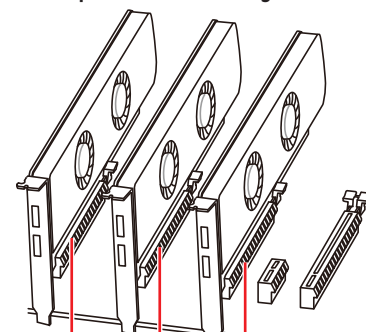
### Pour les processeurs à 44 et 28 lignes



PCI\_E1

PCI\_E3

### Pour les processeurs à 28 lignes



PCI\_E1

PCI\_E2

PCI\_E3

### Important

Si vous installez une carte graphique lourde, il vous faut utiliser un outil comme la **barre de support MSI Gaming Series** pour supporter son poids et pour éviter la déformation du slot.

## Important

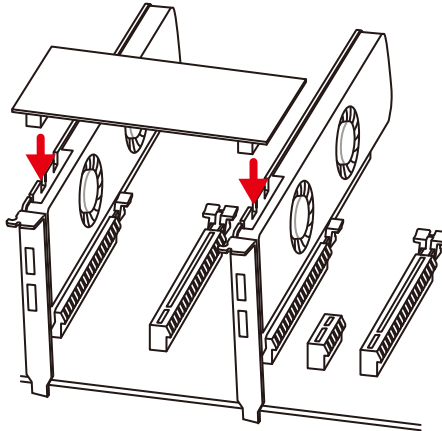
- Si vous choisissez d'installer une seule carte d'extension PCIe x16, nous vous recommandons d'utiliser le slot **PCI\_E1** pour profiter de performances optimales.
- Veillez à toujours mettre l'ordinateur hors tension et à débrancher le cordon d'alimentation avant d'installer les cartes d'extension. Référez-vous à la documentation des cartes pour vérifier si un composant ou un logiciel doit être modifié.

## Installation des cartes graphiques SLI

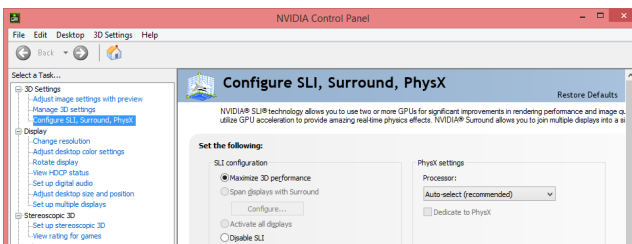
Pour savoir quel type d'alimentation est recommandé pour une configuration SLI, veuillez vous référer au mode d'emploi de votre carte graphique, afin de parfaitement répondre à la demande du système.

Pour installer les cartes graphiques en SLI :

1. Eteignez votre ordinateur et déconnectez le cordon d'alimentation. Installez deux cartes graphiques dans les slots **PCI\_E1** et **PCI\_E3**.
2. Connectez les deux cartes graphiques avec un **pont SLI**.

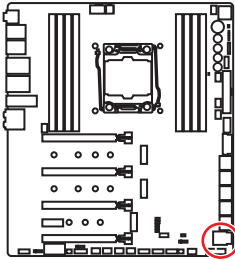


3. Reliez tous les connecteurs d'alimentation PCIe des cartes graphiques.
4. Reconnectez le cordon d'alimentation, allumez votre ordinateur et installez les pilotes et logiciels fournis avec la carte graphique.
5. Faites un clic droit sur le bureau de Windows et choisissez **NVIDIA Control Panel** dans le menu. Sur l'onglet de gauche, cliquez sur **Configure SLI, Surround, PhysX** dans l'onglet à gauche. Sélectionnez **Maximize 3D performance** dans le menu de configuration SLI et puis cliquez sur **Appliquer**.



## U2\_1: Port U.2

Ce port utilise une interface U.2. Chaque port peut être relié à un périphérique de stockage PCIe 3.0 x4 NVMe.

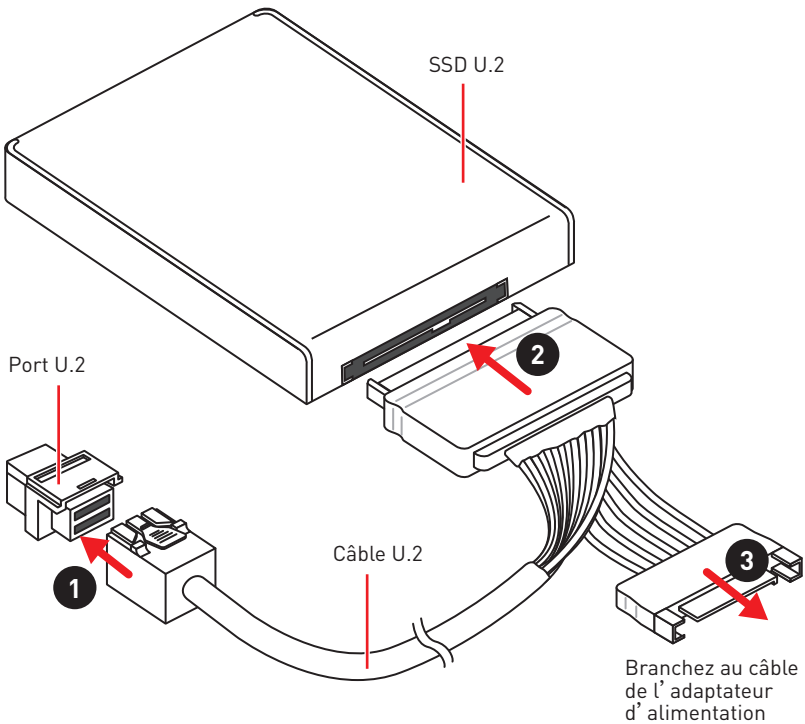


### Vidéo de démonstration

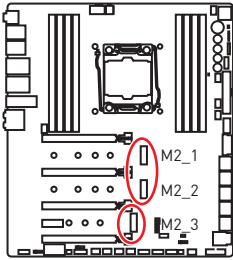
Référez-vous à la vidéo d'installation du SSD U.2. <http://youtu.be/KgFvKDxymvw>

### Installation du SSD U.2

1. Branchez le câble U.2 au port U.2 sur la carte mère.
2. Branchez le câble U.2 au SSD U.2.
3. Branchez le câble U.2 au câble de l'adaptateur d'alimentation.



## M2\_1~3: Slots M.2 (Touche M)



### Important

- La technologie Intel® RST supporte seulement un SSD M.2 PCIe avec une mémoire ROM UEFI.
- Intel® Optane™ Memory Ready pour les slots M2\_1 et M2\_2.
- Le slot M2\_3 ne supporte que l'interface PCIe 3.0.



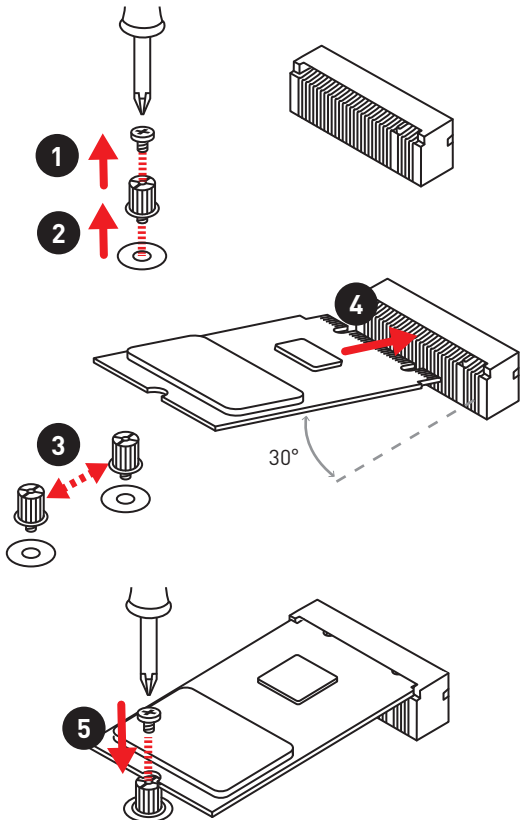
### Vidéo de démonstration

Référez-vous à la vidéo d'instruction sur l'installation du module M.2.

<http://youtu.be/JCTFAByrYA>

## Installation du module M.2

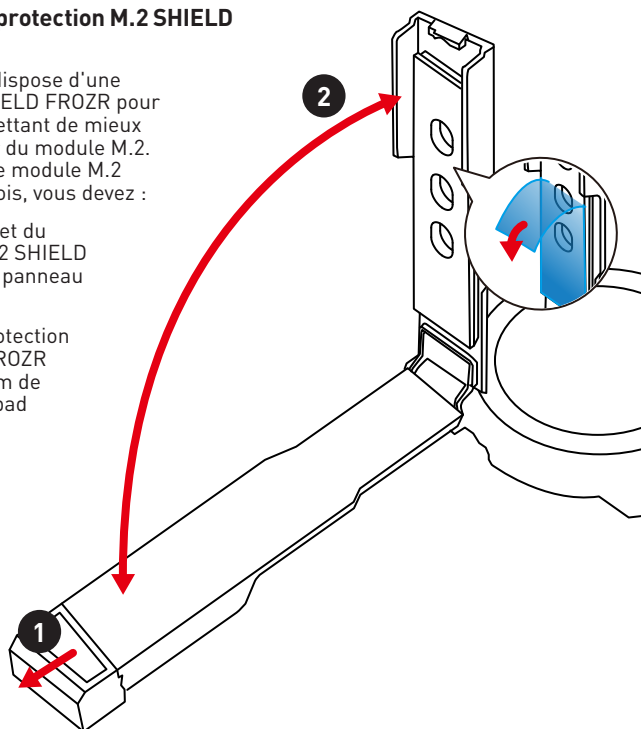
1. Enlevez la vis de la vis de base.
2. Enlevez la vis de base.
3. Fixez la vis de base dans le trou correspondant à la longueur du module M.2.
4. Insérez votre module M.2 dans l'emplacement M.2 à un angle de 30 degrés.
5. Positionnez la vis dans l'encoche située sur le bord du module M.2 et fixez-la dans la vis de base.



## Utilisation de la protection M.2 SHIELD FROZR

Cette carte mère dispose d'une protection M.2 SHIELD FROZR pour le slot M2\_1 permettant de mieux dissiper la chaleur du module M.2. Avant d'installer le module M.2 pour la première fois, vous devez :

1. Glissez le loquet du connecteur M.2 SHIELD FROZR vers le panneau arrière.
2. Soulevez la protection M.2 SHIELD FROZR et retirez le film de protection du pad thermique.

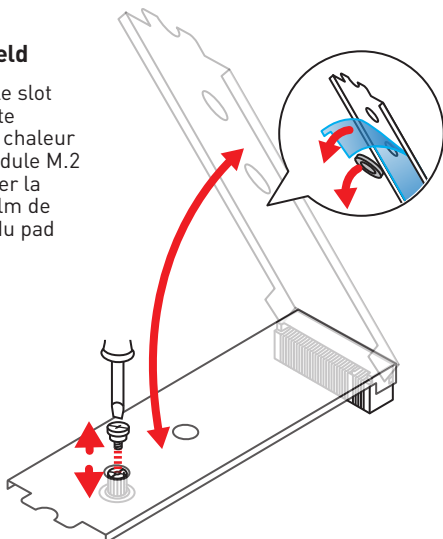


## Utilisation de la protection M.2 Shield

Nous fournissons une protection pour le slot M2\_2 et M2\_3, appelée M.2 Shield. Cette protection permet de mieux dissiper la chaleur du module M.2. Avant d'installer le module M.2 pour la première fois, vous devez enlever la vis, soulever le couvercle et retirer le film de protection et l'anneau de caoutchouc du pad thermique.

**!** **Important**

*Si vous n'avez pas besoin de la protection M.2 Shield, vous pouvez l'enlever.*

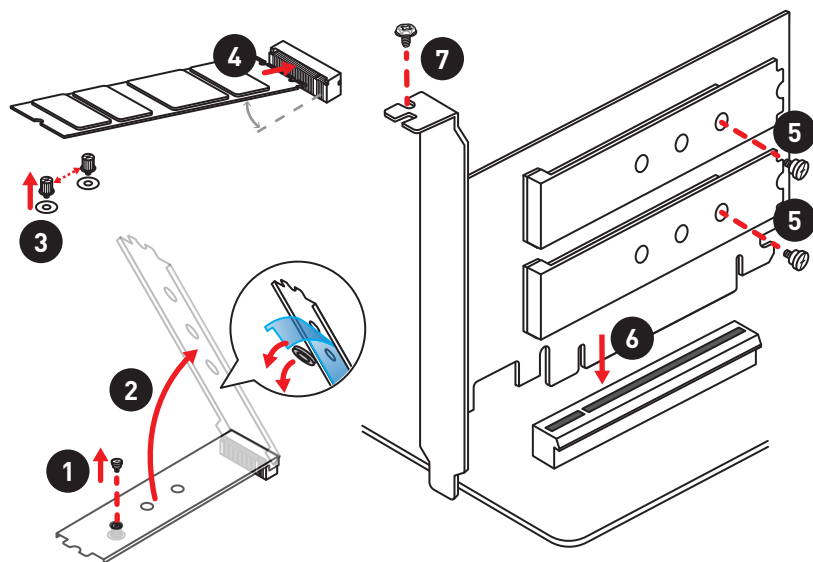


## Installer la carte M.2 Xpander-Z

La carte M.2 Xpander-Z offre deux slots M.2 Touche-M.

Pour installer la carte M.2 Xpander-Z :

1. Enlevez la vis du support situé sous la plaque.
2. Relevez la plaque et retirez le film de protection et les anneaux de caoutchouc du pad thermique.
3. Déplacez le support dans le trou de fixation correspondant à la longueur de votre SSD M.2.
4. Insérez votre SSD M.2 dans le slot M.2 à un angle de 30 degrés.
5. Remettez la plaque sur le SSD M.2 et revissez la vis retirée au début sur le support pour fixer la plaque.
6. Insérez la carte M.2 Xpander-Z dans le slot PCIe.
7. Fixez la vis pour sécuriser la carte M.2 Xpander-Z.

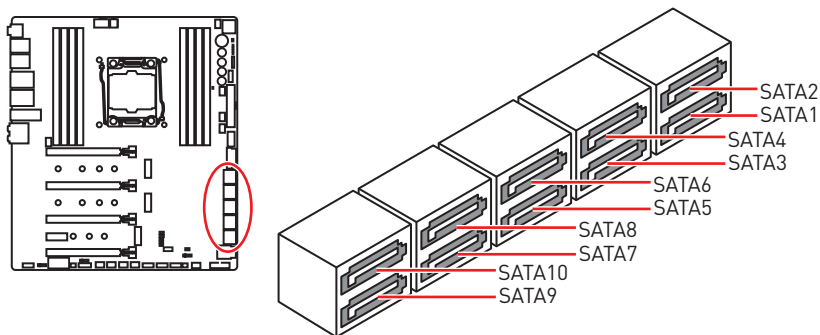


### Important

- La carte M.2 Xpander-Z ne fonctionne pas avec un processeur à 16 lignes.
- Si vous désinstallez cette carte, veuillez repasser la M.2 Xpander-Z en mode Désactivé dans le BIOS.

## SATA1~10: Connecteurs SATA 6 Gb/s

Ces connecteurs utilisent une interface SATA 6 Gb/s. Chaque connecteur peut être relié à un appareil SATA.



### Important

- Veuillez ne pas plier les câbles SATA à 90° car cela pourrait entraîner une perte de données pendant la transmission.
- Les câbles SATA disposent de prises identiques sur chaque côté. Néanmoins, il est recommandé de connecter la prise plate sur la carte mère pour un gain d'espace.

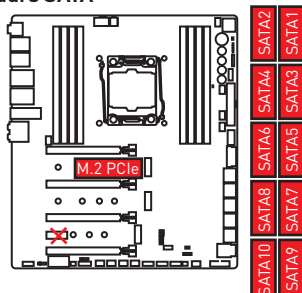
## Tableau de combinaison M2\_1, M2\_2, SATA et PCI\_E4

Slot	Combinaison											
M2_1	PCIe	PCIe	PCIe	PCIe	PCIe	PCIe	SATA	SATA	SATA	SATA	SATA	SATA
SATA1	✓	✓	✓	✓	✓	✓	—	—	—	—	—	—
SATA2	✓	✓	✓	✓	✓	✓	✓	✓	✓	✓	✓	✓
SATA3	✓	✓	✓	✓	✓	✓	✓	✓	✓	✓	✓	✓
SATA4	✓	✓	✓	✓	✓	✓	✓	✓	✓	✓	✓	✓
M2_2	—	—	SATA	SATA	PCIe	PCIe	—	—	SATA	SATA	PCIe	PCIe
SATA5	✓	✓	—	—	—	—	✓	✓	—	—	—	—
SATA6	✓	✓	✓	✓	—	—	✓	✓	✓	✓	—	—
SATA7	✓	✓	✓	✓	—	—	✓	✓	✓	✓	—	—
SATA8	✓	✓	✓	✓	—	—	✓	✓	✓	✓	—	—
PCI_E4	—	PCIe	—	PCIe	—	PCIe	—	PCIe	—	PCIe	—	PCIe
SATA9	✓	—	✓	—	✓	—	✓	—	✓	—	✓	—
SATA10	✓	—	✓	—	✓	—	✓	—	✓	—	✓	—

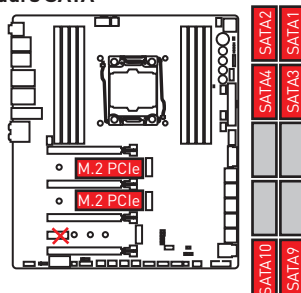
(SATA: M.2 SATA SSD, PCIe: M.2 PCIe SSD, ✓: disponible, —: indisponible)

## Combinaison des slots M.2

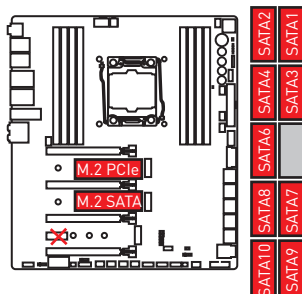
1 x SSD M.2 PCIe + 10 x disques durs SATA



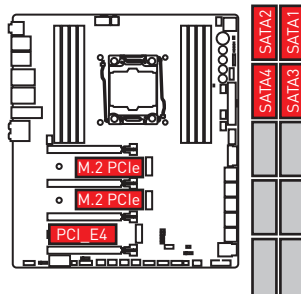
2 x SSDs M.2 PCIe + 6 x disques durs SATA



1 x SSD M.2 PCIe + 1 x SSD M.2 SATA + 9 x disques durs SATA

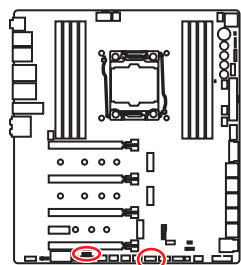


2 x SSDs M.2 PCIe + 4 x disques durs SATA + 1 x périphérique PCI\_E4



## JFP1, JFP2: Connecteurs de panneau avant

Ces connecteurs se lient aux interrupteurs et indicateurs LED du panneau avant.

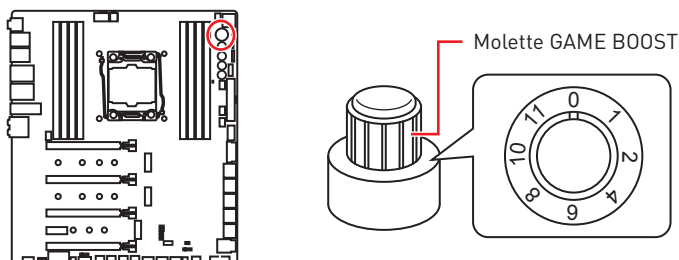


2		10	
1		9	
JFP1			
1	HDD LED +	2	Power LED +
3	HDD LED -	4	Power LED -
5	Reset Switch	6	Power Switch
7	Reset Switch	8	Power Switch
9	Reserved	10	No Pin

1			
JFP2			
1	Speaker -	2	Buzzer +
3	Buzzer -	4	Speaker +

## OC1: Molette GAME BOOST

Cette molette de réglage vous permet de choisir manuellement le niveau d'overclocking du processeur allant de 0 (par défaut) à 11 (extrême). La tension et la fréquence du processeur seront automatiquement ajustées après le démarrage de l'ordinateur.



### Utiliser la molette de réglage GAME BOOST

Pour utiliser la molette de réglage GAME BOOST, suivez les étapes ci-dessous :

1. Mettez la molette GAME BOOST en mode Hardware (contrôle au niveau matériel) par l'intermédiaire des paramètres du BIOS.

**Remarque :** La lumière de cette molette s'allumera pour indiquer que GAME BOOST est contrôlé au niveau matériel. Lorsque la lumière est éteinte, cela indique que GAME BOOST est contrôlé au niveau logiciel.

2. Eteignez l'ordinateur.
3. Tournez la molette GAME BOOST et choisissez le niveau d'overclocking que vous désirez.

Niveau	Fréquence du CPU				
	i5-7640X	i7-7740X	i7-7800X	i7-7820X	i9-7900X
0	4.0 GHz	4.3 GHz	3.5 GHz	3.6 GHz	3.3 GHz
1	4.5 GHz	4.8 GHz	4.1 GHz	4.4 GHz	4.4 GHz
2	4.6 GHz	4.9 GHz	4.2 GHz	4.5 GHz	4.5 GHz
4	4.7 GHz	5.0 GHz	4.3 GHz	4.6 GHz	4.6 GHz
6	4.8 GHz	5.1 GHz	4.4 GHz	4.7 GHz	4.7 GHz
8	4.9 GHz	5.2 GHz	4.5 GHz	4.8 GHz	4.8 GHz
10	5.0 GHz	5.3 GHz	4.6 GHz	4.9 GHz	4.9 GHz
11	5.1 GHz	5.4 GHz	4.7 GHz	5.0 GHz	5.0 GHz

4. Allumez l'ordinateur. GAME BOOST overclockera automatiquement le processeur selon le niveau que vous avez choisi.

Pour désactiver GAME BOOST :

1. Mettez la molette GAME BOOST en mode Hardware par l'intermédiaire des paramètres du BIOS.
2. Eteignez l'ordinateur.
3. Tournez la molette GAME BOOST au niveau 0 puis allumez l'ordinateur. Les paramètres de configuration seront alors remis aux valeurs normales.

## Important

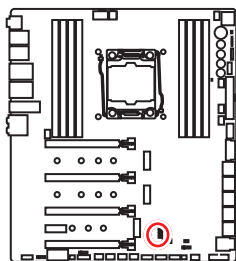
- Lors de l'utilisation de la fonction **GAME BOOST** avec un processeur de la série **Core-X**, il est recommandé d'utiliser un système de refroidissement liquide pour CPU équipé de deux ventilateurs pour un meilleur refroidissement et de meilleures performances.
- Vous pouvez aussi contrôler la fonction **GAME BOOST** par l'intermédiaire du **Setup du BIOS** ou du logiciel **MSI COMMAND CENTER**.
- Pour optimiser les performances et améliorer la stabilité du système, veuillez ne pas modifier les réglages du menu **OC** du **BIOS** quand vous activez la fonction **GAME BOOST**.
- La réussite de l'overclocking dépend des composants de votre ordinateur.
- Nous ne garantissons pas le niveau d'overclocking offert par **GAME BOOST** ni les dommages et risques causés par l'overclocking.
- Les composants **MSI** sont recommandés pour une meilleure compatibilité avec la fonction **GAME BOOST**.





### **OC\_RT1: Cavalier OC Retry (retenter l' OC)**

Lorsque vous fermez ce cavalier, le système continuera à relancer l'overclocking jusqu'à ce qu'il réussisse à démarrer.

### **OC\_FS1: Cavalier OC Force Enter BIOS (forcer l'entrée de l' OC dans le BIOS)**

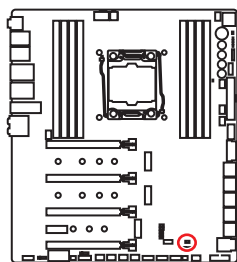
Lorsque vous fermez ce cavalier, le système sera forcé d'entrer dans le BIOS sans qu'apparaisse le message d'erreur **OC\_FAIL** à l'écran.



OC_RT1		
	Normal (défaut)	Continuer à relancer l'overclocking
<hr/>		
OC_FS1		
	Normal (défaut)	Forcer l'entrée dans le BIOS sans qu'apparaisse le message d'erreur <b>OC_FAIL</b> à l'écran

## JSlow1: Cavalier de démarrage du mode ralenti

Ce cavalier est utilisé pour la solution de refroidissement LN2, prenant en charge les conditions extrêmes d'overclocking, et assurent le démarrage du processeur à une fréquence stable, ce qui évite le crash du système.



Normal  
(défaut)



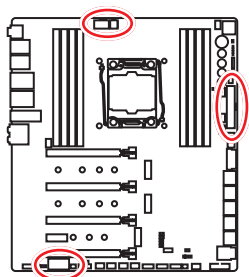
Activé  
(Activez cette fonction  
pendant POST du BIOS.)

### **Important**

- Les utilisateurs peuvent essayer l'overclocking à la température extrêmement peu élevée à leurs propres risques. Les résultats d'overclocking peuvent varier selon la version du CPU.
- Ne mettez pas cet interrupteur en **Activé** quand vous l'éteignez ou le système ne peut se démarrer.

## CPU\_PWR1~2, ATX\_PWR1, JPWR1: Connecteurs d'alimentation

Ces connecteurs vous permettent de relier une alimentation ATX.



CPU_PWR1			
1	Ground	5	+12V
2	Ground	6	+12V
3	Ground	7	+12V
4	Ground	8	+12V

CPU_PWR2			
1	Ground	3	+12V
2	Ground	4	+12V

ATX_PWR1			
1	+3.3V	13	+3.3V
2	+3.3V	14	-12V
3	Ground	15	Ground
4	+5V	16	PS-ON#
5	Ground	17	Ground
6	+5V	18	Ground
7	Ground	19	Ground
8	PWR OK	20	Res
9	5VSB	21	+5V
10	+12V	22	+5V
11	+12V	23	+5V
12	+3.3V	24	Ground

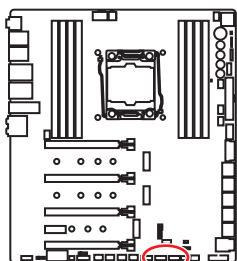
JPWR1			
1	+12V	3	Ground
2	Ground	4	+5V

### Important

Veuillez vous assurer que tous les câbles d'alimentation sont branchés aux connecteurs adéquats afin garantir une opération stable de la carte mère.

## JUSB1~2: Connecteurs USB 2.0

Ces connecteurs vous permettent de relier un port USB 2.0 sur le panneau avant.



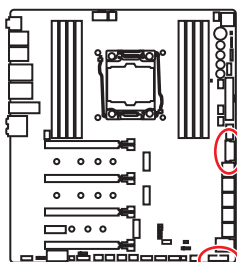
1	VCC	2	VCC
3	USB0-	4	USB1-
5	USB0+	6	USB1+
7	Ground	8	Ground
9	No Pin	10	NC

### Important

- Notez que les broches VCC et Terre doivent être branchées correctement afin d'éviter tout dommage sur la carte mère.
- Pour recharger votre iPad, iPhone et iPod par l'intermédiaire d'un port USB, veuillez installer l'utilitaire MSI® SUPER CHARGER.

## JUSB3~4: Connecteurs USB 3.1 Gen1

Ces connecteurs vous permettent de relier un port USB 3.1 Gen1 sur le panneau avant.



1	Power	11	USB2.0+
2	USB3_RX_DN	12	USB2.0-
3	USB3_RX_DP	13	Ground
4	Ground	14	USB3_TX_C_DP
5	USB3_TX_C_DN	15	USB3_TX_C_DN
6	USB3_TX_C_DP	16	Ground
7	Ground	17	USB3_RX_DP
8	USB2.0-	18	USB3_RX_DN
9	USB2.0+	19	Power
10	NC	20	No Pin

### Important

Notez que les câbles d'alimentation et de terre doivent être branchés correctement afin d'éviter d'endommager la carte.

## Port Super Charger

Le connecteur **JUSB3** est un port de recharge capable d'augmenter le débit USB en sortie afin de recharger rapidement votre téléphone portable ou d'autres périphériques USB compatibles. Le port Charger est contrôlé au niveau matériel par la puce de la carte mère et peut supporter le rechargement lorsque l'ordinateur est en mode veille, hibernation ou éteint. Néanmoins, quand vous démarrez l'ordinateur sous Windows®, il vous faut installer l'application MSI® SUPER CHARGER pour activer ou désactiver le mode Charging (rechargement).



### Vidéo de démonstration

Pour en savoir plus sur Super Charger, cliquez sur le lien ci-dessous.

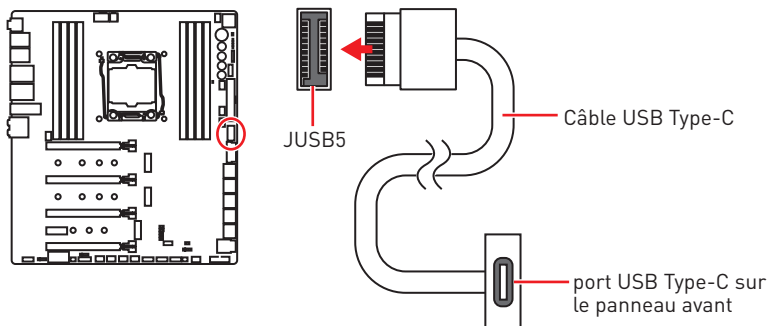
<http://youtu.be/FCyvr5Nb0w>

### Important

Lorsque le mode Charging est activé, la synchronisation des données du port Super Charger sera désactivée.

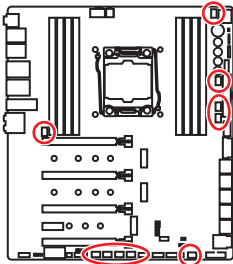
## JUSB5: Connecteur USB 3.1 Gen2 Type-C

Ce connecteur vous permet de relier un port USB 3.1 Gen2 Type-C sur le panneau avant. Pour plus de sécurité, ce connecteur a été conçu pour offrir une excellente robustesse. Quand vous connectez le câble, assurez-vous de le brancher dans le bon sens.




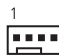
## CPU\_FAN1, PUMP\_FAN1, SYS\_FAN1~4, EXS\_FAN1~4: Connecteurs pour ventilateurs

Les connecteurs pour ventilateurs peuvent être utilisés en mode PWM (Pulse Width Modulation) et en mode DC. En mode PWM, les connecteurs fournissent une sortie de 12V constante et ajustent la vitesse des ventilateurs avec un signal de contrôle de vitesse. En mode DC, les connecteurs contrôlent la vitesse des ventilateurs en modifiant la tension. Cette carte mère peut détecter automatiquement le mode PWM et le mode DC. Vous pouvez également suivre les instructions ci-dessous pour régler manuellement le connecteur de ventilateur en mode PWM ou mode DC.



### Détection automatique du mode d' utilisation des connecteurs ventilateurs

1   
CPU\_FAN1/ PUMP\_FAN1/ SYS\_FAN1/ SYS\_FAN4/ EXS\_FAN4

1   
SYS\_FAN2/ SYS\_FAN3/ EXS\_FAN1/ EXS\_FAN2/ EXS\_FAN3

### Important

- Vous pouvez alterner entre le mode PWM et le mode DC et ajuster la vitesse des ventilateurs dans le **BIOS > HARDWARE MONITOR**.
- Veuillez vous assurer que les ventilateurs fonctionnent correctement après avoir basculé entre les modes PWM et DC.

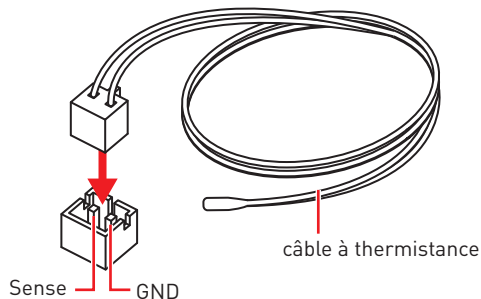
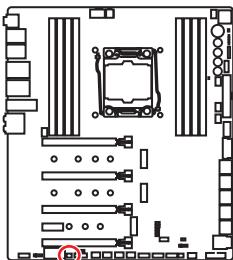
### Définition des broches des connecteurs de ventilateur

Définition des broches en mode PWM			
1	Ground	2	+12V
3	Sense	4	Speed Control Signal

Définition des broches en mode DC			
1	Ground	2	Voltage Control
3	Sense	4	NC

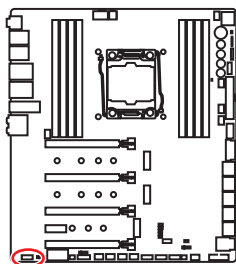
## T\_SEN1: Connecteur de capteur thermique

Ce connecteur vous permet d' utiliser un câble à thermistance pour surveiller la température du point de détection.



## JAUD1: Connecteur audio avant

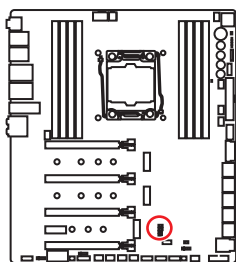
Ce connecteur se lie aux jacks audio du panneau avant.



1	MIC L	2	Ground
3	MIC R	4	NC
5	Head Phone R	6	MIC Detection
7	SENSE_SEND	8	No Pin
9	Head Phone L	10	Head Phone Detection

## JCI1: Connecteur intrusion châssis

Ce connecteur est relié à un câble d'interrupteur intrusion châssis.



Normal  
(défaut)



Commencer l'activité  
intrusion châssis

### Utilisation du détecteur d'intrusion châssis

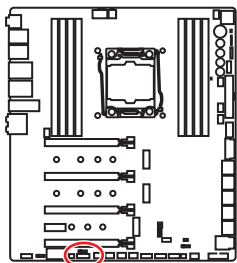
1. Reliez le connecteur **JCI1** à l'interrupteur ou au capteur d'intrusion châssis situé sur le boîtier du PC.
2. Fermez le couvercle du boîtier.
3. Allez dans le **BIOS > SETTINGS (Réglages) > Security (Sécurité) > Chassis Intrusion Configuration (Configuration intrusion châssis)**.
4. Réglez **Chassis Intrusion (intrusion châssis)** sur **Enabled (Activé)**.
5. Appuyez sur **F10** pour sauvegarder et quitter. Ensuite appuyez sur la touche **Enter (Entrée)** pour choisir **Yes (Oui)**.
6. Désormais, si le boîtier du PC est ouvert quand l'ordinateur est allumé, vous recevrez un message d'alerte à l'écran.


### Réinitialisation de l'alerte intrusion châssis

1. Allez dans le **BIOS > SETTINGS (Réglages) > Security (Sécurité) > Chassis Intrusion Configuration (Configuration intrusion châssis)**.
2. Mettez **Chassis Intrusion (Intrusion châssis)** en **Reset (Remettre)**.
3. Appuyez sur **F10** pour sauvegarder et quitter. Ensuite appuyez sur la touche **Enter (Entrée)** pour choisir **Yes (Oui)**.

## JTPM1: Connecteur de module TPM

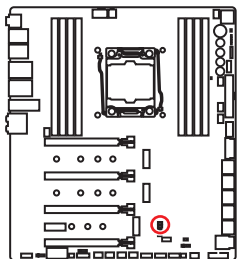
Ce connecteur est relié à un module TPM (Trusted Platform Module). Veuillez vous référer au manuel du module TPM pour plus d'informations.



			
1	LPC Clock	2	3V Standby power
3	LPC Reset	4	3.3V Power
5	LPC address & data pin0	6	Serial IRQ
7	LPC address & data pin1	8	5V Power
9	LPC address & data pin2	10	No Pin
11	LPC address & data pin3	12	Ground
13	LPC Frame	14	Ground

## JBAT1: Cavalier Clear CMOS (Réinitialisation BIOS)

Une mémoire CMOS est intégrée et est alimentée en externe par une batterie située sur la carte mère afin de conserver les données de configuration système. Si vous souhaitez nettoyer la configuration système, placez le cavalier sur Effacer CMOS de manière à nettoyer la mémoire CMOS.



Conserv  
les données  
(défaut)



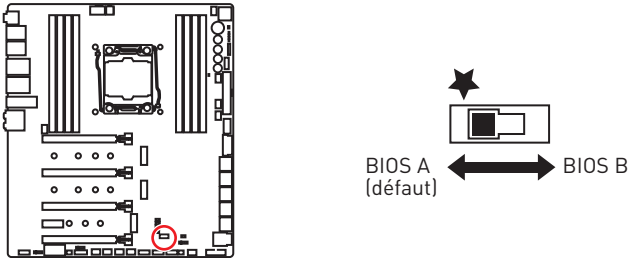
Effacer CMOS/  
Réinitialiser BIOS

### Réinitialiser le BIOS aux valeurs par défaut

1. Eteignez l'ordinateur et débranchez le câble d'alimentation de la prise électrique.
2. Utilisez un couvercle de cavalier pour fermer JBAT1 pour environ 5-10 secondes.
3. Enlevez le couvercle de cavalier du JBAT1.
4. Branchez de nouveau le câble d'alimentation à votre ordinateur et allumez-le.

## BIOS\_SW1: Interrupteur Multi-BIOS

Cette carte mère est équipée de deux BIOS ROMs indépendants (étiquetés A et B, celui par défaut est A). Si un des deux est endommagé, vous pouvez passer à l'autre pour le démarrage par le glissement de l'interrupteur.



### Restauration du BIOS

Si la mise à jour du BIOS a échoué et que le système ne peut plus démarrer, vous pouvez restaurer le BIOS en suivant les étapes suivantes. Avant la restauration, veuillez télécharger la dernière version de BIOS compatible à votre carte mère sur le site MSI. Ensuite, enregistrez le fichier BIOS sur la racine de la clé USB.

1. Eteignez l'ordinateur.
2. Basculez vers le BIOS ROM normal avec l'**interrupteur Multi-BIOS**.
3. Connectez le lecteur flash USB à l'ordinateur.
4. Allumez l'ordinateur et appuyez sur la touche **Suppr** pour entrer dans l'interface Setup du BIOS pendant le processus de POST.
5. Choisissez l'onglet **M-FLASH** et cliquez sur **Yes (Oui)** pour redémarrer le système et entrer dans le mode Flash.
6. Choisissez un profil BIOS pour commencer la restauration du BIOS.
7. Basculez vers le BIOS ROM qui a échoué avec l'**interrupteur Multi-BIOS** et cliquez sur **Yes (Oui)** pour commencer la restauration du BIOS.
8. Une fois la restauration terminée, le système redémarrera automatiquement.

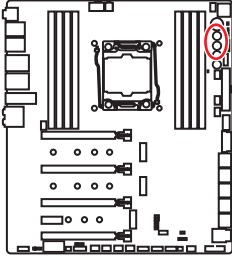


#### **Important**

- Ne pas utiliser l'interrupteur Multi-BIOS lorsque le système est en cours de démarrage.
- Vous pouvez également utiliser l'utilitaire **LIVE UPDATE** ou **Flash BIOS** pour flasher le BIOS. Référez-vous à la section du BIOS pour plus de détails.

## POWER1, RESET1: Boutons d'alimentation et de réinitialisation

Les boutons d'alimentation et de réinitialisation vous permettent d'allumer ou de redémarrer l'ordinateur.



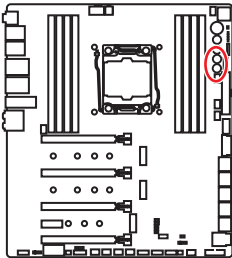
Bouton  
d'alimentation



Bouton de  
réinitialisation

## Bouton Plus, bouton Minus: boutons BCLK-Ratio

Vous pouvez utiliser ces boutons pour augmenter ou baisser la fréquence de base ou le ratio du CPU.



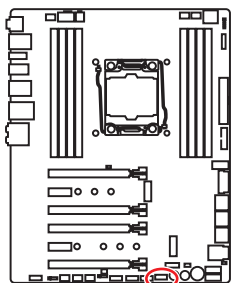
BCLK+  
/ Ratio+




BCLK-  
/ Ratio-

## VRAID1: Connecteur Virtual Raid on CPU

Ce connecteur vous permet d'insérer la clé VROC (Virtual RAID on CPU). Vous devez activer la fonction VROC à l'aide du pilote Intel® RSTe (Intel® Rapid Storage Technology enterprise).



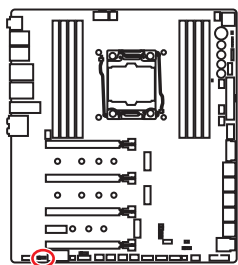
			
1	GND	2	VCC3
3	GND	4	SATA_RAID_KEY

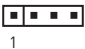
**Important**

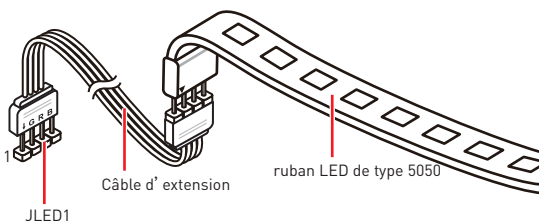
La clé VROC n'est pas fournie.

## JLED1: Connecteur LED RGB

Ce connecteur vous permet de connecter des rubans LED RGB de type 5050.



			
1	+12V	2	G
3	R	4	B



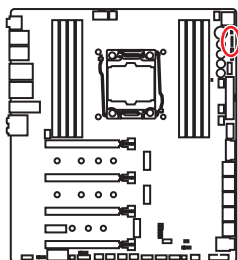
**Important**

- Ce connecteur supporte des rubans LED RGB (rouge/vert/bleu) de type 5050 avec une puissance nominale maximale de 3A (12V). Veuillez garder la longueur du ruban LED inférieure à 2 mètres pour éviter la gradation des couleurs.
- Avant d'installer ou de retirer le ruban LED, veuillez à toujours éteindre l'alimentation et à débrancher le câble d'alimentation de la prise électrique.
- Veuillez utiliser les logiciels de MSI pour contrôler le ruban d'extension LED.

# Indicateurs LED embarqués

## EZ Debug LED

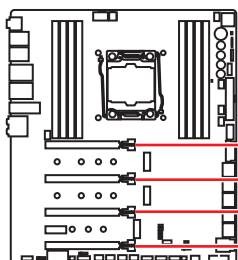
Ces LEDs indiquent l'état de débogage de la carte mère.



- CPU** - indique que le CPU n'est pas détecté ou que son initialisation a échoué.
- DRAM** - indique que la mémoire DRAM n'est pas détectée ou que son initialisation a échoué.
- VGA** - indique que le GPU n'est pas détecté ou que son initialisation a échoué.
- BOOT** - indique que le périphérique de démarrage n'est pas détecté ou que son initialisation a échoué.

## Indicateurs LED du slot PCIe x16

Ces LEDs indiquent l'état des slots PCIe x16.



- LED de PCI\_E1
- LED de PCI\_E2
- LED de PCI\_E3
- LED de PCI\_E5

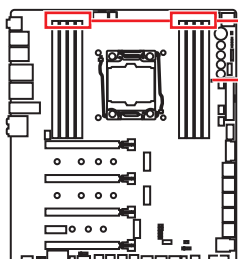
Couleur de la LED	Etat du slot PCIe
Rouge	mode x16
Blanc	mode x8, x4, x1

## Indicateurs LED des barrettes DIMM

Ces LEDs indiquent que les barrettes de mémoire sont installées.

## Indicateur LED du mode XMP

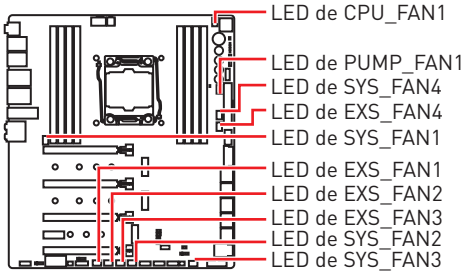
Cette LED indique que le mode XMP (Extreme Memory Profile) est activé.



- Indicateurs LED des barrettes DIMM
- Indicateur LED du mode XMP

## Indicateurs LED des ventilateurs

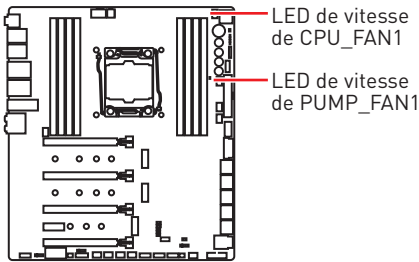
Ces LEDs indiquent le mode de contrôle de ventilateurs.



Couleur de la LED	Mode de contrôle de ventilateurs
Rouge	mode PWM
Vert	mode DC

## Indicateurs de vitesse des ventilateurs

Des indicateurs de vitesse des ventilateurs sont proposés sur le ventilateur et le circuit du chipset. La couleur de la lumière changera selon la vitesse du ventilateur.



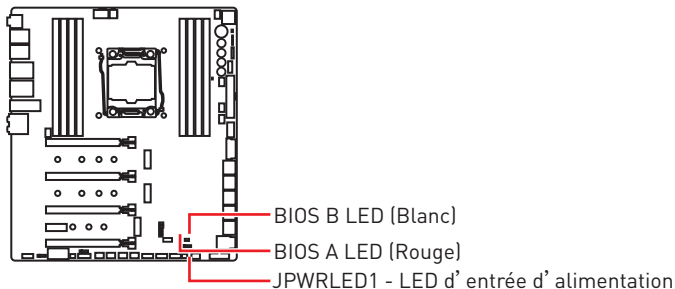
Couleur de la LED	Vitesse de ventilateurs
Blanc	inférieur à 65%
Du blanc au rouge	65%~80%
Rouge	supérieur à 80%

## Indicateurs LED de Multi-BIOS

Les indicateurs LED de Multi-BIOS indiquent que le BIOS est en cours d'utilisation.

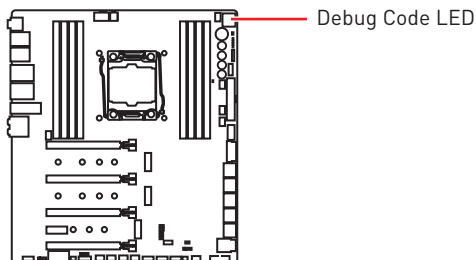
### JPWRLED1: Connecteur LED de démonstration

Ce connecteur est utilisé par les revendeurs pour faire une démonstration de l'éclairage LED.



## Debug Code LED

La Debug Code LED affiche les codes de progression et d'erreur pendant et après le processus de POST. Référez-vous au tableau de Debug Code LED pour plus de détails.



### Tableau des caractères hexadécimaux

Hexadécimaux	0	1	2	3	4	5	6	7	8	9	A	B	C	D	E	F
Affichage de Debug Code LED	0	1	2	3	4	5	6	7	8	9	A	b	C	d	E	F

### Phase de démarrage

**Sécurité (SEC)**- initialisation de très bas niveau

**Initialisation Pre-EFI (PEI)** – initialisation de la mémoire

**Environnement d'exécution des pilotes (DXE)** – initialisation du matériel principal

**Sélection du périphérique de démarrage (BDS)** – la configuration du système, l'interface d'utilisateur de pré-OS et la sélection d'un périphérique amovible (CD/DVD, disque dur, USB, réseau, interface système, etc.)

### Tableau de Debug Code LED

#### Codes de progression SEC

01	Sous tension. Détection du type de réinitialisation (soft/hard).
02	Initialisation AP avant chargement du microcode.
03	Initialisation de l'agent système avant chargement du microcode.
04	Initialisation PCH avant chargement du microcode.
06	Chargement du microcode
07	Initialisation AP après chargement du microcode.
08	Initialisation de l'agent système après chargement du microcode.
09	Initialisation PCH après chargement du microcode.
0B	Initialisation du cache

#### Codes d'erreur SEC

0C - 0D	Réservé aux futurs codes d'erreur AMI SEC.
0E	Microcode introuvable
0F	Microcode non chargé

#### Codes de progression PEI

10	Le cœur PEI est lancé.
11	L'initialisation de la pré-mémoire du processeur est lancée.
12 - 14	Initialisation de la pré-mémoire du processeur (module processeur spécifique)
15	L'initialisation de la pré-mémoire de l'agent système est lancée.
16 - 18	Initialisation de la pré-mémoire de l'agent système (module agent système spécifique)

19	L'initialisation de la pré-mémoire du PCH est lancée.
1A - 1C	Initialisation de la pré-mémoire du PCH (module PCH spécifique)
2B	Initialisation de la mémoire. Lecture des données SPD
2C	Initialisation de la mémoire. Détection de présence de la mémoire
2D	Initialisation de la mémoire. Information sur la programmation de synchronisation de la mémoire
2E	Initialisation de la mémoire. Configuration de la mémoire
2F	Initialisation de la mémoire (autre)
31	Mémoire installée.
32	L'initialisation de la post-mémoire du processeur est lancée.
33	Initialisation de la post-mémoire du processeur. Initialisation du cache.
34	Initialisation de la post-mémoire du processeur. Initialisation du ou des processeurs d'application (AP)
35	Initialisation de la post-mémoire du processeur. Sélection du processeur d'amorçage (BSP)
36	Initialisation de la post-mémoire du processeur. Initialisation du mode de gestion du système (SMM)
37	L'initialisation de la post-mémoire de l'agent système est lancée.
38 - 3A	Initialisation de la post-mémoire de l'agent système (module agent système spécifique)
3B	L'initialisation de la post-mémoire du PCH est lancée.
3C - 3E	Initialisation de la post-mémoire du PCH (module PCH spécifique)
4F	DXE IPL est lancé.

### Codes d'erreur PEI

50	Erreur d'initialisation de la mémoire. Type de mémoire invalide ou vitesse de mémoire incompatible.
51	Erreur d'initialisation de la mémoire. La lecture du SPD a échoué.
52	Erreur d'initialisation de la mémoire. Taille de mémoire invalide ou modules de mémoire incompatibles
53	Erreur d'initialisation de la mémoire. Aucune mémoire utilisable n'est détectée.

54	Erreur d'initialisation de la mémoire non spécifiée
55	Mémoire non installée
56	Type de processeur ou vitesse invalide
57	Le processeur ne correspond pas.
58	Echec de l'auto-test du processeur ou possibilité d'erreur du cache du processeur
59	Le microcode du processeur est introuvable ou la mise à jour du microcode a échoué.
5A	Erreur du processeur interne
5B	La réinitialisation PPI n° est pas disponible.
5C - 5F	Réservé aux futurs codes d'erreur AMI

### Codes de progression DXE

60	Le coeur DXE est lancé.
61	Initialisation de la NVRAM
62	Installation des services d'exécution du PCH
63	L'initialisation du processeur DXE est lancée.
64 - 67	Initialisation du processeur DXE (module processeur spécifique)
68	Initialisation du pont hôte PCI
69	L'initialisation de l'agent système DXE est lancée.
6A	L'initialisation de l'agent système DXE SMM est lancée.
6B - 6F	Initialisation de l'agent système DXE (module agent système spécifique)
70	L'initialisation du PCH DXE est lancée.
71	L'initialisation du PCH DXE SMM est lancée.
72	Initialisation des périphériques du PCH
73 - 77	Initialisation du PCH DXE (module PCH spécifique)
78	Initialisation du module ACPI
79	Initialisation CSM
7A - 7F	Réservé aux futurs codes AMI DXE
90	La phase de sélection du périphérique de démarrage (BDS) est lancée.
91	La connexion du pilote est lancée.
92	L'initialisation du bus PCI est lancée.
93	Initialisation du contrôleur de branchement à chaud du bus PCI
94	Enumération du bus PCI 32

95	Demande des ressources du bus PCI
96	Distribution des ressources du bus PCI
97	Connexion du périphérique de sortie de console
98	Connexion du périphérique d'entrée de console
99	Initialisation Super IO
9A	L'initialisation USB est lancée.
9B	Réinitialisation USB
9C	Détection USB
9D	USB activée
9E -9F	Réservé aux futurs codes AMI
A0	L'initialisation IDE est lancée.
A1	Réinitialisation IDE
A2	Détection IDE
A3	IDE activé
A4	L'initialisation SCSI est lancée.
A5	Réinitialisation SCSI
A6	Détection SCSI
A7	SCSI activé
A8	Configuration de vérification du mot de passe
A9	Démarrage de la configuration
AB	Configuration de l'attente d'entrée
AD	Événement Prêt à démarrer
AE	Événement de démarrage du mode Legacy Boot (Démarrage hérité)
AF	Quitter l'événement des services de démarrage
B0	Début de temps de définition d'adresse virtuelle MAP
B1	Fin de temps de définition d'adresse virtuelle MAP
B2	Initialisation des options Legacy de la mémoire ROM
B3	Réinitialisation du système
B4	Branchement à chaud de la USB
B5	Branchement à chaud du bus PCI
B6	Nettoyage de la NVRAM
B7	Réinitialisation de la configuration (réinitialisation des paramètres NVRAM)
B8 - BF	Réservé aux futurs codes AMI

### Codes d'erreur DXE

D0	Erreur d'initialisation du processeur
----	---------------------------------------

D1	Erreur d'initialisation de l'agent système
D2	Erreur d'initialisation du PCH
D3	Certains protocoles architecturaux ne sont pas disponibles.
D4	Erreur d'allocation des ressources PCI. Manque de ressources.
D5	Aucun espace pour les options Legacy de la mémoire ROM.
D6	Aucun périphérique de sortie de console n'est trouvé.
D7	Aucun périphérique d'entrée de console n'est trouvé.
D8	Mot de passe invalide
D9	Erreur lors du chargement de l'option de démarrage (erreur LoadImage)
DA	Echec de l'option de démarrage (erreur StartImage)
DB	Echec de la mise à jour du flash
DC	Le protocole de réinitialisation n'est pas disponible.

### Codes de progression de reprise S3

E0	La reprise S3 est lancée (le PPI de reprise S3 est appelé par le DXE IPL).
E1	Exécution du Boot Script S3
E2	Reposter la vidéo
E3	Appel du vecteur d'éveil S3 du système d'exploitation
E4 - E7	Réservé aux futurs codes de progression AMI

### Codes d'erreur de reprise S3

E8	Echec de reprise S3
E9	Reprise S3 PPI introuvable
EA	Erreur de script de reprise démarrage S3
EB	Erreur de réveil du système d'exploitation S3
EC - EF	Réservé aux futurs codes d'erreur AMI

### Codes de progression de la récupération

F0	Condition de récupération déclenchée par le firmware (récupération automatique)
F1	Condition de récupération déclenchée par l'utilisateur (récupération forcée)
F2	Le processus de récupération est lancé.

<b>F3</b>	L' image de la récupération du firmware est trouvée.
<b>F4</b>	L' image de la récupération du firmware est chargée.
<b>F5 - F7</b>	Réservé aux futurs codes de progression AMI

### Codes d' erreur de récupération

<b>F8</b>	La récupération PPI n' est pas disponible.
<b>F9</b>	La capsule de récupération est introuvable.
<b>FA</b>	Capsule de récupération invalide
<b>FB - FF</b>	Réservé aux futurs codes d' erreur AMI

### Codes d' état ACPI

Les codes suivants apparaissent après le démarrage et après l' entrée du système d' exploitation en mode ACPI.

<b>01</b>	Le système entre en état de veille S1.
<b>02</b>	Le système entre en état de veille S2.
<b>03</b>	Le système entre en état de veille S3.
<b>04</b>	Le système entre en état de veille S4.
<b>05</b>	Le système entre en état de veille S5.
<b>10</b>	Le système sort de l' état de mode veille S1.
<b>20</b>	Le système sort de l' état de mode veille S2.
<b>30</b>	Le système sort de l' état de mode veille S3.
<b>40</b>	Le système sort de l' état de mode veille S4.
<b>AC</b>	Le système est passé en mode ACPI. Le contrôleur d' interruption est en mode PIC.
<b>AA</b>	Le système est passé en mode ACPI. Le contrôleur d' interruption est en mode APIC.

### Température du processeur

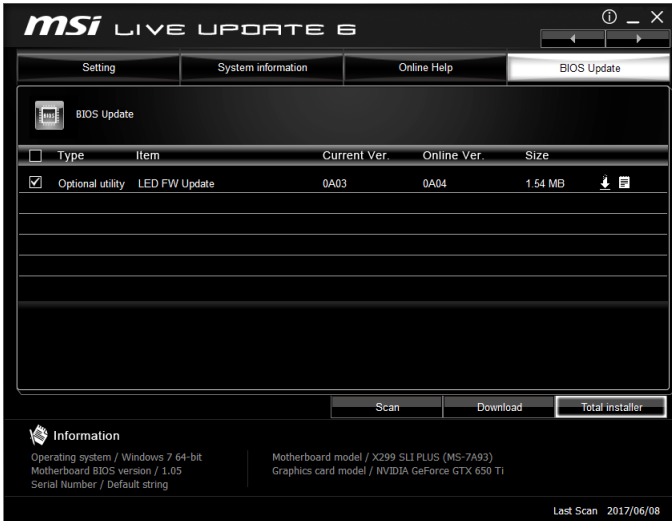
<b>00 - 99</b>	Affiche la température du processeur après le démarrage complet du système d' exploitation.
----------------	---

## Mettre le firmware LED à jour

La mise à jour du firmware LED peut améliorer les effets du rétroéclairage.

Pour mettre le firmware LED à jour :

1. Installez et lancez MSI LIVE UPDATE 6.
2. Allez dans **BIOS Update (Mettre le BIOS à jour)**.
3. Cliquez sur le bouton **Scan**. Si une mise à jour est disponible, la nouvelle version du firmware apparaîtra dans la liste.
4. Choisissez le firmware dans la liste.



5. Cliquez sur le bouton **Total Installer** pour télécharger et installer le firmware.
6. Une fois l'installation terminée, vous devrez redémarrer votre ordinateur pour activer le firmware LED.

# Configuration du BIOS

Les réglages par défaut fournissent une performance optimale pour la stabilité du système en conditions normales. Veuillez à **toujours garder les réglages par défaut** pour éviter d'endommager le système ou tout problème au démarrage, sauf si vous êtes familier avec le BIOS.



## Important

- Le BIOS est constamment mis à jour afin d'offrir de meilleures performances système. Par conséquent, la description peut différer selon la version de BIOS utilisée et n'est donc donnée qu'à titre de référence. Vous pouvez aussi vous référer à l'onglet **Help (Aide)** pour obtenir la description des fonctions du BIOS.
- Les photos ne sont données qu'à titre de référence et peuvent varier selon le produit que vous achetez.

## Entrer dans l'interface Setup du BIOS

Pour entrer dans l'interface Setup du BIOS, vous pouvez suivre ces deux méthodes :

- Pendant le démarrage, lorsqu'apparaît le message "**Press DEL key to enter Setup Menu, F11 to enter Boot Menu**" sur l'écran, veuillez appuyer sur la touche **Suppr.**
- Quand l'ordinateur est déjà en marche, vous pouvez utiliser l'application **MSI FAST BOOT**. Cliquez sur le bouton **GO2BIOS** puis sur **OK**. Le système redémarre et entre dans l'interface Setup du BIOS.



Cliquez sur **GO2BIOS**

## Touches de fonction

- F1:** Aide générale
- F2:** Ajouter ou supprimer un élément favori
- F3:** Entrer dans le menu Favoris
- F4:** Entrer dans le menu de réglages du processeur
- F5:** Entrer dans le menu Memory-Z
- F6:** Charger les réglages par défaut
- F7:** Alternner entre le mode avancé et le mode simplifié
- F8:** Charger le profil d'overclocking
- F9:** Sauvegarder le profil d'overclocking
- F10:** Sauvegarder les modifications et réglages\*
- F12:** Prendre une capture d'écran et la conserver dans le lecteur flash USB (au format FAT/ FAT32 uniquement).

**Ctrl+F:** Entrer dans la page de recherche

\* Lorsque vous appuyez sur F10, une fenêtre de confirmation apparaît et fournit l'information de modification. Choisissez entre Oui et Non pour confirmer.

## Réinitialiser le BIOS

Il se peut que vous ayez besoin de récupérer les réglages BIOS par défaut pour résoudre des problèmes. Pour réinitialiser les réglages du BIOS, veuillez suivre l'une des méthodes suivantes :

- Allez dans le Setup du BIOS et appuyez sur **F6** pour charger les réglages par défaut.
- Court-circuitez le cavalier **Clear CMOS** sur la carte mère.



### **Important**

Assurez-vous que l'ordinateur est éteint avant d'effacer les données CMOS. Veuillez vous référer à la section cavalier **Clear CMOS** pour en savoir plus sur la réinitialisation du BIOS.

## Mettre le BIOS à jour

### Mettre le BIOS à jour avec M-FLASH

Avant la mise à jour :

Veuillez télécharger la dernière version de BIOS compatible à votre carte mère sur le site MSI. Ensuite, veuillez sauvegarder le nouveau BIOS sur le lecteur flash USB.

Mettre le BIOS à jour :

1. Appuyez sur la touche Suppr pour entrer dans l'interface Setup du BIOS pendant le processus de POST.
2. Connectez le lecteur Flash USB contenant le profil à l'ordinateur.
3. Choisissez l'onglet **M-FLASH** et cliquez sur **Yes (Oui)** pour redémarrer le système et entrer dans le mode Flash.
4. Choisissez un profil BIOS pour commencer la mise à jour du BIOS.
5. Une fois la mise à jour terminée, le système redémarrera automatiquement.

### Mettre le BIOS à jour avec Live Update 6

Avant la mise à jour :

Assurez-vous que le lecteur LAN est bien installé et que l'ordinateur est correctement connecté à internet.

Mettre le BIOS à jour :

1. Installez et lancez MSI LIVE UPDATE 6.
2. Choisissez **BIOS Update (Mettre le BIOS à jour)**.
3. Cliquez sur le bouton **Scan**.
4. Cliquez sur l'icône **Download** pour télécharger et installer la dernière version du BIOS.
5. Cliquez sur **Next (Suivant)** et choisissez le mode **In Windows**. Ensuite, cliquez sur **Next (Suivant)** et **Start (Commencer)** pour lancer la mise à jour du BIOS.
6. Une fois la mise à jour terminée, le système redémarrera automatiquement.

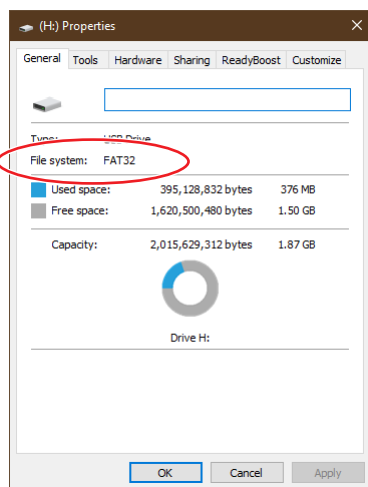
## Mettre le BIOS à jour avec Bouton Flash BIOS

1. Veuillez télécharger la dernière version du BIOS compatible à votre carte mère sur le site MSI®.
2. Renommer le BIOS en **MSI.ROM**. Ensuite, veuillez sauvegarder le profil MSI.ROM sur le répertoire racine du lecteur flash USB (format FAT32).
3. Connectez l'alimentation aux connecteurs **CPU\_PWR1** et **ATX\_PWR1**. (Pas besoin d'installer le processeur et la mémoire.)
4. Branchez le lecteur flash USB contenant le fichier MSI.ROM au **Port Flash BIOS** situé sur le panneau arrière Entrée / Sortie.
5. Appuyez sur le bouton **Flash BIOS** pour activer le BIOS, L'indicateur du bouton Flash BIOS commence à clignoter.
6. Une fois le flash du BIOS terminé, La LED s'éteindra simultanément.



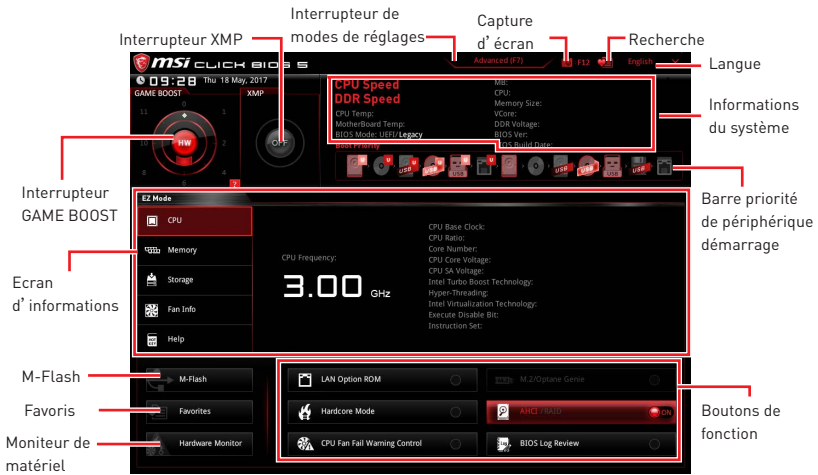
### Important


Seule une clé USB au format FAT32 peut être utilisée pour la mise à jour du BIOS avec le **Bouton Flash BIOS**. Pour vérifier le format de votre clé USB, rendez-vous dans l'Explorateur Windows, faites un clic droit sur l'icône de la clé USB et sélectionnez Propriétés.



## EZ Mode (mode simplifié)

Le mode EZ vous fournit les informations basiques du système et vous permet de configurer les réglages de base. Si vous souhaitez configurer les réglages du BIOS, veuillez utiliser le mode Advanced en appuyant sur le **switch Setup Mode (Interrupteur de modes de réglages)** ou la touche de fonction **F7**.



• **Interrupteur GAME BOOST** - cliquez sur le cercle central pour commuter **GAME BOOST** entre **contrôle logiciel (SW)** et **contrôle matériel (HW)**. Le cercle intérieur représente le contrôle matériel et le cercle extérieur symbolise le contrôle logiciel. Vous pouvez connaître la fréquence du processeur pour chaque niveau en mode GAME Boost en cliquant sur l'icône  situé dans le coin en bas à droite de la fenêtre.

### Important

Après l'activation de la fonction **GAME BOOST**, il est conseillé de ne faire aucune modification dans menu OC et de ne pas charger les réglages par défauts pour conserver des performances optimales et une bonne stabilité du système.

• **Interrupteur XMP** - cliquez sur le cercle intérieur pour activer ou désactiver le profil XMP (Extreme Memory Profile). Cliquez sur le cercle extérieur pour choisir le profil XMP. Cet interrupteur est seulement disponible si le profil XMP supporte le module de mémoire installé.

• **Interrupteur de modes de réglages** - appuyez sur ce menu ou la touche **F7** pour commuter entre le mode avancé et le mode simplifié.

• **Capture d'écran** - appuyez sur ce menu ou sur la touche **F12** pour prendre une capture d'écran et la conserver dans le lecteur flash USB (lecteur flash USB au format FAT ou FAT32 uniquement).

• **Recherche** - cliquez sur cet onglet ou sur les touches **Ctrl+F** pour faire apparaître la page de recherche. Cette page vous permet de faire des recherches en utilisant les noms des éléments du BIOS. Entrez le nom de l'élément et vous le trouverez ensuite dans la liste qui s'affichera alors. Déplacez la souris sur un espace vierge et faites un clic droit pour quitter la page de recherche.

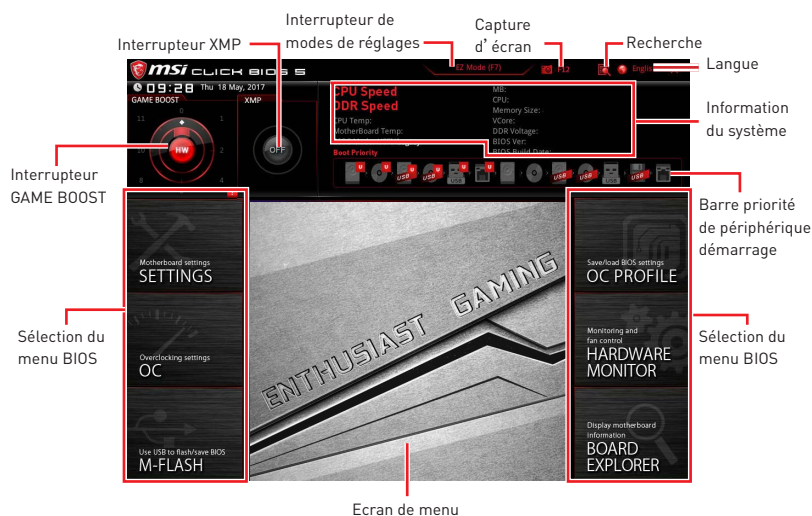
### Important

Dans la page de recherche, seules les touches de fonction **F6**, **F10** et **F12** sont disponibles.

- **Langue** - vous permet de choisir la langue du BIOS.
- **Informations du système** - montre la vitesse et la tension du processeur et de la mémoire, la température du processeur et de la carte mère, le type de carte mère et de processeur, la capacité mémoire, la version du BIOS et la date d'installation.
- **Barre priorité de périphérique démarrage** - vous pouvez déplacer les icônes dédiés aux périphériques pour modifier la priorité au démarrage. Le sens de la priorité va de gauche à droite.
- **Ecran d'informations** - cliquez sur les boutons **CPU (Processeur)**, **Memory (Mémoire)**, **Storage (Stockage)**, **Fan Info (Info ventilateurs)** et **Help (Aide)** à gauche de la fenêtre pour obtenir les informations respectives.
- **Boutons de fonction** - en cliquant sur leur bouton respectif, vous pourrez activer les fonctions **LAN Option ROM**, **M.2/Optane Genie**, **Hardcore Mode**, **AHCI**, **RAID**, **CPU Fan Fail Warning Control** et **BIOS Log Review**.
  - **Mode Hardcore** - Maintient le CPU en mode de pleine vitesse pour optimiser les performances du système. Cette fonctionnalité augmentera la consommation d'énergie.
- **M-Flash** - cliquez sur ce bouton pour faire apparaître le menu **M-Flash** qui fournit la méthode de mise à jour BIOS à l'aide d'un disque flash USB.
- **Moniteur de matériel** - cliquez sur ce bouton pour faire apparaître le menu **Moniteur de matériel** qui vous permet de contrôler manuellement la vitesse des ventilateurs.
- **Favoris** - appuyez sur l'onglet **Favoris** ou appuyez sur la touche **F3** pour entrer dans le menu **Favoris**. Il vous permet de créer un menu BIOS personnalisé où vous pourrez sauvegarder et accéder à vos réglages favoris ou fréquemment utilisés.
  - **Default Homepage (page d'accueil par défaut)** - vous permet de choisir l'un des menus du BIOS (par exemple, Réglages, OC, etc.) comme page d'accueil.
  - **Favorite 1 ~ 5 (Favoris 1 ~ 5)** - vous permettent d'afficher les menus de réglages BIOS fréquemment utilisés ou les favoris sur une seule page.
  - **Ajouter les menus BIOS sur une seule page des favoris (Favoris 1~5)**
    1. Déplacez la souris sur un élément du BIOS, pas seulement dans le menu du BIOS mais également sur la page de recherche.
    2. Faites un clic droit ou appuyez sur la touche **F2**.
    3. Choisissez une page de favoris et cliquez sur **OK**.
  - **Supprimer un paramètre du BIOS de la page des favoris**
    1. Déplacez la souris sur un élément du BIOS sur la page des favoris (Favoris 1~5).
    2. Faites un clic droit ou appuyez sur la touche **F2**.
    3. Choisissez **Delete (Effacer)** et cliquez sur **OK**.

## Advanced Mode (mode avancé)

Appuyez sur le **Setup Mode switch (interrupteur de modes de réglages)** ou sur la touche de fonction **F7** pour commuter entre le mode simplifié et le mode avancé.



• **Interrupteur GAME BOOST/ Interrupteur XMP/ Interrupteur de modes de réglages/ Capture d'écran/ Favoris/ Langue/ Information du système/ Barre priorité de périphérique démarrage** - veuillez vous référer à la partie EZ mode pour plus de précision.

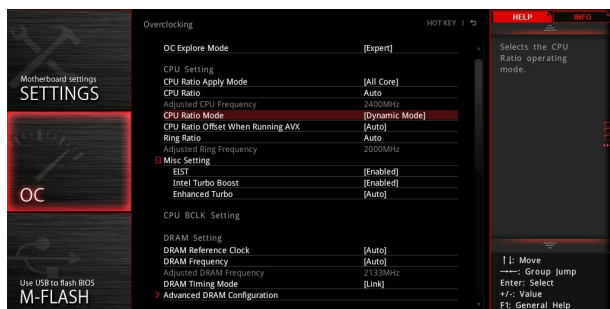
• **Sélection du menu BIOS** - les options suivantes sont disponibles :

- **SETTINGS (Réglages)** - permet de personnaliser les paramètres du chipset et du démarrage des périphériques.
- **OC** - permet d'ajuster la fréquence et la tension. L'augmentation de la fréquence peut améliorer les performances.
- **M-FLASH** - permet de mettre le BIOS à jour avec un lecteur flash USB.
- **OC PROFILE** - permet de gérer les profils d'overclocking.
- **HARDWARE MONITOR (Moniteur de matériel)** - permet de régler la vitesse des ventilateurs et de surveiller la tension du système.
- **BOARD EXPLORER** - fournit des informations sur les périphériques installés sur la carte mère.

• **Ecran de menu** - affiche les menus de réglages BIOS et les informations à configurer.

## OC Menu (menu overclocking)

Ce menu est destiné aux utilisateurs avancés souhaitant overclocker leur carte mère.



### **Important**

- L'overclocking manuel du PC n'est recommandé que pour les utilisateurs avancés.
- L'overclocking n'est pas garanti et une mauvaise manipulation peut rendre nulle votre garantie et sévèrement endommager votre matériel.
- Si vous n'êtes pas familier avec l'overclocking, nous vous recommandons d'utiliser **GAME BOOST** pour un overclocking simplifié et plus stable.

#### ► OC Explore Mode [Expert]

Active ou désactive le mode Normal ou Expert des réglages OC.

[Normal] Fournit les réglages OC standards dans les réglages BIOS.

[Expert] Fournit les réglages OC avancés pour les utilisateurs avancés et à configurer dans les réglages BIOS.

Remarque : Nous utilisons le symbole \* pour indiquer les réglages OC du mode Expert.

#### ► CPU Ratio Apply Mode [All Core]\*

Règle le mode d'application en cours pour le ratio (ou multiplicateur du processeur). Ce menu n'apparaît que si le processeur installé est compatible avec **Turbo Boost**.

[All Core] Active le paramètre **CPU Ratio**. Tous les cœurs du processeur fonctionnent avec le même ratio, paramétré dans **CPU Ratio**.

[Per Core] Active le **X-Core Ratio Limit** qui règle le ratio de chaque cœur processeur de manière indépendante.

#### ► CPU Ratio [Auto]

Définit le ratio servant à déterminer la vitesse d'horloge du processeur. Ce menu peut être modifié uniquement si le processeur prend cette fonction en charge.

#### ► Adjusted CPU Frequency

Montre la fréquence ajustée du processeur. Fonctionne uniquement en lecture seule.

### ► CPU Ratio Mode [Dynamic Mode]\*

Choisit le mode d'opération du ratio du processeur. Ce menu apparaît lorsque vous réglez le ratio manuellement.

[Fixed Mode]      Fixe le ratio.

[Dynamic Mode]    Le ratio sera modifié dynamiquement selon la charge du processeur.

### ► CPU Ratio Offset When Running AVX [Auto]

Définit une valeur de décalage pour réduire le ratio du cœur CPU. Cela est utile pour la dissipation de chaleur lors de l'exécution du jeu d'instruction AVX. Mis en Auto, le BIOS configure ce réglages automatiquement. Ce menu apparaît lorsque le processeur installé prend cette fonction en charge.

### ► Ring Ratio [Auto]

Définit le ratio Ring (soit du cache du processeur). La gamme de valeurs valides dépend du processeur installé.

### ► Adjusted Ring Frequency

Montre la fréquence Ring modifiée. Fonctionne uniquement en lecture seule.

### ► Misc Setting\*

Appuyez sur les touches Entrée et + ou - pour ouvrir ou fermer les 3 paramètres suivants, relatifs aux fonctionnalités du processeur.

#### ► EIST [Enabled]\*

Active ou désactive la technologie Enhanced Intel® SpeedStep Technology.

[Enabled]      Active la technologie EIST pour ajuster la tension du processeur et de la fréquence du cœur de manière dynamique. Cela diminue la consommation d'énergie et la production de chaleur moyennes.

[Disabled]     Désactive EIST.

#### ► Intel Turbo Boost [Enabled]\*

Active ou désactive Intel® Turbo Boost. Ce menu apparaît lorsque le processeur installé prend cette fonction en charge.

[Enabled]      Active la fonction d'augmentation automatique des performances du processeur afin de dépasser la limite définie lorsque le système exige un niveau de performances plus élevé.

[Disabled]     Désactive cette fonction.

#### ► Enhanced Turbo [Auto]\*

Active ou désactive la fonction Enhanced Turbo pour tous les cœurs du processeur afin d'augmenter les performances du processeur. Ce menu apparaît lorsque le processeur installé prend cette fonction en charge.

[Auto]         Ce réglage est configuré automatiquement par le BIOS.

[Enabled]      Le ratio de tous les cœurs du processeur sont augmentés au maximum.

[Disabled]     Désactive cette fonction.

### ► Extreme Memory Profile (X.M.P.) [Disabled]

La technologie d'overclocking X.M.P. (Extreme Memory Profile) permet un overclocking par l'intermédiaire du module de mémoire. Activez la technologie XMP ou sélectionnez un profil de module de mémoire pour overclocker la mémoire. Ce menu est seulement disponible si vous disposez de modules de mémoire prenant en charge la technologie XMP.

### ► CPU Base Clock (MHz)

Définit la fréquence de base du processeur. Vous pouvez overclocker le processeur en ajustant sa valeur. Veuillez noter que les résultats de l'overclocking ne sont pas garantis. Ce menu est seulement disponible si le processeur installé supporte cette fonction.

### ► CPU Base Clock Apply Mode [Auto]\*

Définit le mode d'application pour le réglage de la fréquence de base du processeur.

- [Auto] Ce réglage est configuré automatiquement par le BIOS.
- [Next Boot] Le processeur fonctionne avec une fréquence de base paramétrée pour le prochain démarrage.
- [Immediate] Le processeur fonctionne avec une fréquence de base paramétrée immédiatement.

### ► Direct OC Button [Enabled]

Activer ou désactiver les boutons de fréquences de base permettant d'effectuer un overclocking instantané.

### ► Direct OC Step (MHz) [1.00]\*

Définir l'augmentation ou la diminution de la fréquence BCLK chaque fois que vous appuyez sur les boutons + ou -.

### ► Clockgen Features

Appuyez sur la touche **Entrée** pour entrer dans le sous-menu. Définit les fonctionnalités détaillées de clockgen.

#### ► Dynamic Frequency Control [Disabled]

Activez ou désactivez pour essayer différents niveaux de fréquence du BCLK lors de la charge du CPU pour overclocker le système. Cette fonction est désactivée lorsque la fonction **Dynamic Frequency Search** est activée.

#### ► DFC Baseline (MHz) [Auto]

Définir la fréquence de BCLK initiale pour un overclocking dynamique si le seuil n'est pas atteint. Ce menu apparaît lorsque l'option **Dynamic Frequency Control** est activée.

#### ► Threshold 1~3 (A) [Auto]

Définir la valeur du courant du CPU comme seuil pour la fonction **Dynamic Frequency Control**. Lorsque le courant du processeur atteint cette valeur, le CPU exécutera **Level 1/ 2/ 3 BCLK** pour l'overclocking dynamique. Ces menus apparaissent lorsque la fonction **Dynamic Frequency Control** est activée.

#### ► Level 1~3 BCLK (MHz) [Auto]

Définir le BCLK du CPU comme seuil. Ces menus apparaissent lorsque la fonction **Dynamic Frequency Control** est activée.

#### ► Dynamic Frequency Search [Disabled]

Activer ou désactiver pour exécuter la fréquence BCLK dynamique optimale. Cette fonction est désactivée lorsque la fonction **Dynamic Frequency Control** est activée.

#### ► Dynamic Frequency Search Mode [Once]

Définir le mode de recherche de la fréquence BCLK dynamique. Ce menu est disponible lorsque la fonction **Dynamic Frequency Search** est activée.

[Once] Exécuter une fois au prochain démarrage du système.

[Each Power On] Exécuter à chaque démarrage.

### ► **Dynamic Frequency Search Step (MHz) [Auto]**

Définir la valeur d'augmentation de la fréquence BCLK dynamique lors de l'exécution d'overclocking. En mode **Auto**, le BIOS configure ce réglage automatiquement. Ce menu est disponible lorsque la fonction **Dynamic Frequency Search** est activée.

### ► **BCLK Amplitude [Auto]**

Règle la valeur de l'amplitude de signal de base pour l'overclocking. Plus la valeur est haute, plus les résultats d'overclocking peuvent être élevés.

### ► **SRC Clock Amplitude [Auto]**

Règle la valeur de l'amplitude de l'horloge SRC.

### ► **SATA Clock Amplitude [Auto]**

Règle la valeur de l'amplitude de l'horloge SATA.

### ► **BCLK Slew Rate [Auto]**

Règle la valeur de la vitesse de balayage de base pour l'overclocking. La valeur peut varier selon l'overclocking.

### ► **BCLK ORT Duration [Auto]**

Règle la valeur pour la durée ORT de base pour l'overclocking. La valeur peut varier selon l'overclocking.

### ► **DRAM Reference Clock [Auto]\***

Définit la valeur d'horloge de référence de la mémoire. La gamme de valeur valide dépend du processeur installé. Ce menu est seulement disponible si le processeur installé supporte cette fonction.

### ► **DRAM Frequency [Auto]**

Définit la fréquence de la mémoire. Veuillez noter que les résultats de l'overclocking ne sont pas garantis.

### ► **Adjusted DRAM Frequency**

Affiche la fréquence ajustée de la mémoire. Fonctionne en lecture seule.

### ► **Memory Try It ! [Disabled]**

Memory Try It! permet d'améliorer la compatibilité ou les performances en optimisant les préréglages de la mémoire.

### ► **DRAM Timing Mode [Link]**

Choisit le mode de latences mémoire.

[Link] Ceci vous permet de configurer les latences DRAM pour tous les canaux de mémoire.

[UnLink] Ceci vous permet de configurer les latences DRAM pour chaque canal de mémoire.

### ► **Advanced DRAM Configuration**

Appuyez sur la touche **Entrée** pour entrer dans le sous-menu. L'utilisateur peut régler la synchronisation de mémoire de chaque barrette de mémoire. Le système peut être instable ou peut ne plus redémarrer après le changement de la synchronisation de la mémoire. Dans ce cas-là, veuillez effacer les données CMOS et remettre les réglages par défaut (référez-vous à la section cavalier/ bouton Clear CMOS pour effacer les données CMOS et entrez ensuite dans le BIOS pour charger les réglages par défaut).

### ► **Memory Fast Boot [Auto]\***

Active ou désactive l'initialisation et le test de la mémoire à chaque démarrage.

[Auto] Ce réglage est automatiquement configuré par le BIOS.

[Enabled] La mémoire imitera complètement l'archive de la première initiation et la première formation. La mémoire n'est ensuite plus initialisée ni testée au moment du démarrage, de façon à accélérer le démarrage du système.

[Disabled] La mémoire est initialisée et testée à chaque démarrage.

### ► **DigitALL Power**

Appuyez sur la touche **Entrée** pour entrer dans le sous-menu. Gère l'alimentation numérique du contrôleur PWM du processeur.

### ► **VCCIN Voltage [Auto]**

Définit la tension d'entrée du CPU. La tension d'entrée du CPU est la source d'alimentation du CPU partagée avec ses composants.

### ► **CPU Voltages control [Auto]**

Permet de définir les tensions relatives au processeur. En mode **Auto**, le BIOS configure ces tensions automatiquement. Vous pouvez également les paramétrer manuellement.

### ► **DRAM Voltages control [Auto]**

Permet de définir les tensions relatives à la mémoire. En mode **Auto**, le BIOS configure ces tensions automatiquement. Vous pouvez également les paramétrer manuellement.

### ► **PCH Voltages control [Auto] (en option)**

Permet de définir les tensions relatives à la puce PCH. En mode **Auto**, le BIOS configure ces tensions automatiquement. Vous pouvez également les paramétrer manuellement.

### ► **CPU Memory Changed Detect [Enabled]\***

Active ou désactive les messages d'alerte système au démarrage suite au remplacement du processeur ou de la mémoire.

[Enabled] Le système montre un message d'alerte pendant le démarrage et vous devez charger les réglages par défaut pour les nouveaux périphériques.

[Disabled] Désactive cette fonction et garde les réglages BIOS actuels.

### ► **CPU Specifications**

Appuyez sur la touche **Entrée** pour accéder au sous-menu. Ce sous-menu affiche les caractéristiques du processeur installé. Vous pouvez également accéder à ce sous-menu à tout moment en appuyant sur la touche [F4]. Fonctionne uniquement en lecture seule.

#### ► **CPU Technology Support**

Appuyez sur la touche **Entrée** pour accéder au sous-menu. Ce sous-menu affiche les principales fonctions et technologies prises en charge par le processeur installé. Fonctionne uniquement en lecture seule.

### ► **MEMORY-Z**

Appuyez sur la touche **Entrée** pour accéder au sous-menu. Ce sous-menu affiche tous les réglages et timings de la mémoire installée. Vous pouvez également accéder à ce sous-menu à tout moment en appuyant sur la touche [F5].

### ► DIMMx Memory SPD

Appuyez sur la touche **Entrée** pour accéder au sous-menu. Ce sous-menu affiche les caractéristiques de la mémoire installée. Fonctionne uniquement en lecture seule.

### ► CPU Features

Appuyez sur la touche **Entrée** pour accéder au sous-menu.

#### ► Hyper-Threading [Enabled]

La technologie d'hyper-threading traite chaque cœur processeur comme un processeur logique indépendant doté de ses propres données et permet de les faire fonctionner de manière simultanée. Ainsi, les performances système sont grandement améliorées. Cette fonction ne sera utilisable que si le processeur installé y est compatible.

[Enable] Active la technologie Intel Hyper-Threading.

[Disabled] Désactive la fonction si le système n'y est pas compatible.

#### ► Limit CPUID Maximum [Disabled]

Active ou désactive la valeur CPUID maximum.

[Enabled] Le BIOS limite la valeur maximale d'entrée de CPUID pour contourner le problème de démarrage avec un système d'exploitation ne prenant pas en charge le processeur doté d'une valeur CPUID plus élevée.

[Disabled] Utilise la valeur maximale d'entrée de CPUID actuelle.

#### ► Intel Virtualization Tech [Enabled]

Active ou désactive la technologie Intel Virtualization.

[Enabled] Active la technologie Intel Virtualization et autoriser une plate-forme visant à faire fonctionner plusieurs systèmes d'exploitation dans des partitions indépendantes. Le système peut fonctionner virtuellement comme des systèmes multiples.

[Disabled] Désactive cette fonction.

#### ► Intel VT-D Tech [Disabled]

Active ou désactive la technologie Intel VT-D (Intel Virtualization for Direct I/O).

#### ► Hardware Prefetcher [Enabled]

Active ou désactive le prefetcher matériel (MLC Streamer prefetcher).

[Enabled] Permet au prefetcher matériel d'acquiescer automatiquement les données et les instructions dans le cache L2 de la mémoire pour ajuster les performances du processeur.

[Disabled] Désactive le prefetcher matériel.

#### ► Adjacent Cache Line Prefetch [Enabled]

Active ou désactive le prefetcher matériel du processeur (MLC Spatial prefetcher).

[Enabled] Active le prefetcher de la ligne de cache adjacente pour réduire le temps de latence et ajuster les performances dans l'application spécifique.

[Disabled] Active seulement la ligne de cache exigée.

#### ► CPU AES Instructions [Enabled]

Active ou désactive le support CPU AES (Advanced Encryption Standard-New Instructions). Ce menu apparaît si le processeur prend cette fonction en charge.

### ► Intel Adaptive Thermal Monitor [Enabled]

Active ou désactive la fonction de régulation adaptative de la température du moniteur Intel pour protéger le processeur contre la surchauffe.

[Enabled] Ralentit l'horloge du cœur processeur lorsque sa température dépasse la température du régulateur adaptatif.

[Disabled] Désactive cette fonction.

### ► Intel C-State [Auto]

Intel C-state est une technologie de gestion d'alimentation du processeur définie par l'interface ACPI.

[Auto] Ce réglage est configuré automatiquement par le BIOS.

[Enabled] Détecte quand le système est inactif et réduit en conséquence la consommation d'énergie du processeur.

[Disabled] Désactive cette fonction.

### ► C1E Support [Disabled]

Active ou désactive la fonction C1E pensée pour économiser l'énergie. En effet, le système d'exploitation envoie une requête au processeur pour le forcer à s'arrêter. Ce menu apparaît lorsque **Intel C-State** est activé.

[Enabled] Active la fonction C1E pour réduire la fréquence et la tension du processeur et visant à économiser l'énergie quand le système est éteint.

[Disabled] Désactive cette fonction.

### ► Package C-State Limit [Auto]

Ce menu permet de choisir un mode C-state du processeur pour économiser l'énergie lorsque le système est en veille. Ce menu apparaît lorsque la fonction **Intel C-State** est activée.

### ► CFG Lock [Enabled]

Verrouille ou déverrouille la fonction MSR 0xE2[15], CFG lock bit.

[Enabled] Verrouille le CFG lock bit.

[Disabled] Déverrouille le CFG lock bit.

### ► Long Duration Power Limit (W) [Auto]

Définit le niveau d'alimentation maximum que le TDP (enveloppe thermique) du processeur peut supporter sur une longue période et en mode Turbo Boost.

### ► Long Duration Maintained (s) [Auto]

Définit la durée d'utilisation de la fonction Long Duration Power Limit (W).

### ► Short Duration Power Limit (W) [Auto]

Définit le niveau d'alimentation maximum que le TDP (enveloppe thermique) du processeur peut supporter sur une courte période et en mode Turbo Boost.

### ► CPU Current Limit (A) [Auto]

Définit le niveau d'alimentation maximum du package du processeur en mode Turbo Boost. Lorsque cette valeur est supérieure à une valeur définie, le processeur réduit automatiquement la fréquence du cœur pour réduire la consommation d'énergie.

► **Internal VR OVP OCP Protection [Auto]**

Active ou désactive la protection sur tension et la protection sur-courant pour VR (Voltage Regulator) du CPU.

- [Auto] Ce réglage est configuré automatiquement par le BIOS.
- [Enabled] Définit la limite de tension sur le VR interne du CPU pour la protection sur-tension et la protection sur-courant.
- [Disabled] Désactive cette fonction pour l'overclocking.

► **Internal VR Efficiency Management [Auto]**

Active ou désactive la gestion d'efficacité de VR interne du CPU.

- [Auto] Le réglage est configuré automatiquement par le BIOS.
- [Enabled] Active la gestion d'efficacité VR pour le contrôle d'économie d'énergie.
- [Disabled] Désactive cette fonction.

# Informations sur les logiciels

## Installer Windows® 10

1. Allumez l'ordinateur.
2. Insérez le disque de Windows® 10 dans le lecteur optique.
3. Appuyez sur le bouton **Restart** du boîtier de l'ordinateur.
4. Appuyez sur la touche **F11** pendant le POST (Power-On Self Test) du système pour entrer dans le menu Boot Menu.
5. Choisissez le lecteur optique du Boot Menu.
6. Appuyez sur n'importe quelle touche lorsqu'apparaît le message **[Press any key to boot from CD or DVD]**.
7. Suivez les instructions à l'écran pour installer Windows® 10.

## Installer les pilotes

1. Allumez l'ordinateur sous Windows® 10.
2. Insérez le disque MSI® Driver Disc dans le lecteur optique.
3. L'outil d'installation apparaît automatiquement. Il trouvera et listera tous les pilotes dont vous avez besoin.
4. Cliquez sur le bouton **Install**.
5. L'installation des pilotes commence. Une fois terminée, il vous sera demandé de redémarrer.
6. Cliquez sur le bouton **OK** pour terminer.
7. Redémarrez votre ordinateur.

## Installer les utilitaires

Avant d'installer les utilitaires, il faut compléter l'installation des pilotes.

1. Insérez le disque MSI® Driver Disc dans le lecteur optique.
2. L'outil d'installation apparaît automatiquement.
3. Cliquez sur l'onglet **Utilities**.
4. Choisissez les utilitaires que vous voulez installer.
5. Cliquez sur le bouton **Install**.
6. L'installation des utilitaires commence. Une fois terminée, il vous sera demandé de redémarrer.
7. Cliquez sur le bouton **OK** pour terminer.
8. Redémarrez votre ordinateur.



# Содержание

<b>Безопасное использование продукции.....</b>	<b>3</b>
<b>Технические характеристики .....</b>	<b>4</b>
<b>Задняя панель портов ввода/ вывода .....</b>	<b>11</b>
Таблица состояний индикатора порта LAN .....	11
Конфигурация портов Аудио.....	11
Менеджер Realtek HD Audio.....	12
Установка антенн .....	14
<b>Компоненты материнской платы.....</b>	<b>15</b>
Процессорный сокет .....	16
Слоты DIMM .....	17
PCI_E1~6: Слоты расширения PCIe.....	20
Таблица пропускной способности PCIe и разъема M2_3 .....	20
U2_1: Разъем U.2 .....	23
M2_1~3: Разъемы M.2 (Ключ M).....	24
Установка M.2 Xpander-Z .....	26
SATA1~10: Разъемы SATA 6 Гб/с.....	27
JFP1, JFP2: Разъемы передней панели .....	28
OC1: Кнопка GAME BOOST .....	29
OC_RT1: Джампер OC Retry .....	30
OC_FS1: Джампер OC принудительного входа в BIOS .....	30
JSL0W1: Джампер режима медленной загрузки.....	30
CPU_PWR1~2, ATX_PWR1, JPWR1: Разъемы питания.....	31
JUSB1~2: Разъемы USB 2.0.....	32
JUSB3~4: Разъемы USB 3.1 Gen1 .....	32
JUSB5: Разъем USB 3.1 Gen2 Type-C.....	33
CPU_FAN1, PUMP_FAN1, SYS_FAN1~4, EXS_FAN1~4: Разъемы вентиляторов.....	34
T_SEN1: Разъем датчика температуры.....	34
JAUD1: Разъем аудио передней панели.....	35
JCI1: Разъем датчика открытия корпуса .....	35
JTPM1: Разъем модуля TPM .....	36
JBAT1: Джампер очистки данных CMOS (Сброс BIOS) .....	36
BIOS_SW1: Переключатель Multi-BIOS .....	37
POWER1, RESET1: Кнопка питания, Кнопка перезагрузки .....	38
Кнопки плюс, минус: Кнопки VCLK-Ratio .....	38
VRAID1: Разъем виртуального RAID на процессоре .....	39
JLED1: Разъем RGB LED.....	39

<b>Встроенные индикаторы</b> .....	<b>40</b>
Индикаторы отладки EZ.....	40
Индикаторы слотов PCIe x16.....	40
Индикаторы DIMM.....	40
Индикатор XMP.....	40
Индикаторы вентилятора.....	41
Индикаторы скорости вращения вентилятора.....	41
Индикаторы Multi-BIOS.....	41
JPWLED1: Индикатор подключения питания для демонстрации.....	41
Индикатор отладочных кодов.....	42
Таблица шестнадцатиричных символов.....	42
Таблица отладочных кодов.....	42
Коды состояний ACPI.....	45
Температура процессора.....	45
Обновление прошивки светодиодной подсветки.....	46
<b>Настройка BIOS</b> .....	<b>47</b>
Вход в настройки BIOS.....	47
Сброс BIOS.....	48
Обновление BIOS.....	48
Режим EZ.....	50
Режим разгона.....	52
Меню ОС.....	53
<b>Описание программного обеспечения</b> .....	<b>61</b>
Установка Windows® 10.....	61
Установка драйверов.....	61
Установка утилит.....	61

# Безопасное использование продукции

- Компоненты, входящие в комплект поставки могут быть повреждены статическим электричеством. Для успешной сборки компьютера, пожалуйста, следуйте указаниям ниже.
- Убедитесь, что все компоненты компьютера подключены должным образом. Ослабленные соединения компонентов могут привести как к сбоям в работе, так и полной неработоспособности компьютера.
- Чтобы избежать повреждений компонентов платы всегда держите ее за края.
- При сборке компьютера рекомендуется пользоваться электростатическим браслетом. В случае, если это невозможно, перед работой с платой снимите электростатический заряд со своего тела, прикоснувшись к металлическому предмету.
- В случае, если материнская плата не установлена в корпус, храните ее в антистатической упаковке или на антистатическом коврике.
- Перед включением компьютера убедитесь, что все винты крепления и другие металлические компоненты на материнской плате и внутри корпуса надежно зафиксированы.
- Не включайте компьютер, если сборка не завершена. Это может привести к повреждению компонентов, а также травмированию пользователя.
- Если вам нужна помощь на любом этапе сборки компьютера, пожалуйста, обратитесь к сертифицированному компьютерному специалисту.
- Всегда выключайте питание и отсоединяйте шнур питания от электрической розетки перед установкой или удалением любого компонента компьютера.
- Сохраните это руководство для справки.
- Не допускайте воздействия на материнскую плату высокой влажности.
- Перед тем как подключить блок питания компьютера к электрической розетке убедитесь, что напряжение электросети соответствует напряжению, указанному на блоке питания.
- Располагайте шнур питания так, чтобы на него не могли наступить люди. Не ставьте на шнур питания никаких предметов.
- Необходимо учитывать все предостережения и предупреждения, указанные на материнской плате.
- При возникновении любой из перечисленных ниже ситуаций обратитесь в сервисный центр для проверки материнской платы:
  - Попадание жидкости внутрь компьютера.
  - Материнская плата подверглась воздействию влаги.
  - Материнская плата не работает должным образом или невозможно наладить ее работу в соответствии с руководством пользователя.
  - Материнская плата получила повреждения при падении.
  - Материнская плата имеет явные признаки повреждения.
- Не храните материнскую плату в местах с температурой выше 60 °C [140 °F], так как это может привести к ее повреждению.the motherboard.

# Технические характеристики

Процессор	Поддержка семейства процессоров Intel® Core™ серии X для сокета LGA2066
Чипсет	Intel® X299
Память	<ul style="list-style-type: none"> <li>• 8x слотов памяти DDR4 с поддержкой до 128ГБ*</li> <li>• Четырехканальная архитектура памяти с процессором, поддерживающим DDR4 в 4-х режиме**             <ul style="list-style-type: none"> <li>▪ Процессоры серии X поддерживают DDR4 4133(OC)/ 4000(OC)/ 3866(OC)/ 3800(OC)/ 3733(OC)/ 3600(OC)/ 3466(OC)/ 3400(OC)/ 3333(OC)/ 3200(OC)/ 3000(OC)/ 2933(OC)/ 2800(OC)/ 2667/ 2400/ 2133 МГц*</li> </ul> </li> <li>• Двухканальная архитектура памяти с процессором, поддерживающим DDR4 в 2-х канальном режиме**             <ul style="list-style-type: none"> <li>▪ Процессоры серии X поддерживают DDR4 4500(OC)/ 4400(OC)/ 4333(OC)/ 4266(OC)/ 4200(OC)/ 4133(OC)/ 4000(OC)/ 3866(OC)/ 3800(OC)/ 3733(OC)/ 3600(OC)/ 3466(OC)/ 3400(OC)/ 3333(OC)/ 3200(OC)/ 3000(OC)/ 2933(OC)/ 2800(OC)/ 2667/ 2400/ 2133 МГц*</li> </ul> </li> <li>• Поддержка Intel® Extreme Memory Profile (XMP)</li> </ul> <p>* Для получения последней информации о памяти, пожалуйста, посетите сайт <a href="http://www.msi.com">http://www.msi.com</a></p> <p>** Дополнительную информацию см. в разделе Слоты DIMM.</p>
Слоты расширения	<ul style="list-style-type: none"> <li>• 4x слоты PCIe 3.0 x16             <ul style="list-style-type: none"> <li>▪ Поддержка режима работы x16/x0/x16/x8, x8/x8/x16/x8 с процессором, поддерживающим 44 линий.*</li> <li>▪ Поддержка режима работы x16/x0/x8/x4, x8/x8/x8/x4 с процессором, поддерживающим 28 линий.*</li> <li>▪ Поддержка режима работы x8/x0/x4/x4 с процессором, поддерживающим 16 линий.*</li> </ul> </li> <li>• 1x слот PCIe 3.0 x1</li> </ul> <p>* Для получения дополнительной информации, обратитесь к таблице пропускной способности PCIe 3.0 на странице 20.</p>
Поддержка Multi-GPU	<ul style="list-style-type: none"> <li>• Поддержка технологии NVIDIA® SLI™</li> <li>• Поддержка технологии AMD® CrossFire™</li> </ul>
LAN	<ul style="list-style-type: none"> <li>• 1x Гигабитный сетевой контроллер Intel® I219-V</li> <li>• 1x Гигабитный сетевой контроллер Intel® I211</li> </ul>

Продолжение на следующей странице

Продолжение с предыдущей страницы

<b>Wi-Fi и Bluetooth®</b>	<p>Модуль беспроводной связи на базе Intel® Dual Band Wireless-AC 8265</p> <ul style="list-style-type: none"><li>• Модуль беспроводной связи предварительно установлен в слот M2_3 (Ключ E).</li><li>• Поддержка стандартов Wi-Fi 802.11 a/b/g/n/ac, два диапазона (2.4 ГГц, 5 ГГц) со скоростью передачи до 867 М бит/с.</li><li>• Поддержка Dual Mode Bluetooth® 2.1, 2.1+EDR, 3.0, 4.0, BLE, 4.2</li></ul>
<b>Подключение накопителей</b>	<p>Чипсет Intel® X299</p> <ul style="list-style-type: none"><li>• 10x портов SATA 6ГБ/с*</li><li>• 3x разъема M.2 (Ключ M)*<ul style="list-style-type: none"><li>▪ Разъемы M2_1, M2_2 поддерживают накопители 2242/ 2260 /2280/ 22110</li><li>• Поддержка PCIe 3.0 x4 и SATA 6ГБ/с</li><li>▪ Разъем M2_3 поддерживает накопители 2242/ 2260 /2280</li><li>• Поддержка PCIe 3.0 x4</li><li>▪ Память Intel® Optane™ совместима с разъемами M2_1, M2_2**</li></ul></li><li>• 1x порт U.2 *<ul style="list-style-type: none"><li>▪ Поддержка накопителей PCIe 3.0 x4 NVMe</li></ul></li><li>• Поддержка технологии Intel® Smart Response ***</li></ul> <p>* Разъемы M.2 и порты SATA используют одну полосу пропускания. Пожалуйста, обратитесь к странице 27 для получения информации об использовании комбинаций портов M.2 и SATA.</p> <p>** Обратитесь к Руководству по установке памяти Intel® Optane® на сайте <a href="http://www.msi.com">www.msi.com</a></p> <p>*** Поддержка данной функции зависит от модели процессора.</p>
<b>RAID</b>	<p>Чипсет Intel® X299</p> <ul style="list-style-type: none"><li>• Поддержка RAID 0, RAID1, RAID 5 и RAID 10 для накопителей SATA</li><li>• Поддержка RAID 0 и RAID1 для накопителей M.2 PCIe*</li></ul> <p>* RAID массив на накопителях M.2 PCIe может быть создан с помощью M.2/ Optane Genie.</p>

Продолжение на следующей странице

Продолжение с предыдущей страницы

<p><b>USB</b></p>	<ul style="list-style-type: none"> <li>• Контроллер ASMedia® ASM3142             <ul style="list-style-type: none"> <li>▪ 3x порта USB 3.1 Gen2 (SuperSpeed USB 10Gbps) (1 порт Type-A и 1 порт Type-C на задней панели, 1 порт Type-C доступен через внутренние разъемы USB)</li> </ul> </li> <li>• Контроллер ASMedia® ASM1074             <ul style="list-style-type: none"> <li>▪ 6x портов USB 3.1 Gen1 (SuperSpeed USB) на задней панели</li> </ul> </li> <li>• Контроллер Intel® X299             <ul style="list-style-type: none"> <li>▪ 4x порта USB 3.1 Gen1 (SuperSpeed USB) доступны через внутренние разъемы USB</li> <li>▪ 6x портов USB 2.0 (High-speed USB) (2 порта Type-A на задней панели, 4 порта доступны через внутренние разъемы USB)</li> </ul> </li> </ul>
<p><b>Разъемы задней панели</b></p>	<ul style="list-style-type: none"> <li>• 1x джампер очистки данных CMOS</li> <li>• 1x кнопка Flash BIOS</li> <li>• 1x комбинированный порт PS/2 клавиатуры/ мыши</li> <li>• 2x порта USB 2.0 Type-A             <ul style="list-style-type: none"> <li>▪ 1x порт Flash BIOS</li> </ul> </li> <li>• 6x портов USB 3.1 Gen1 Type-A</li> <li>• 2x порта LAN (RJ45)</li> <li>• 1x порт USB 3.1 Gen2 Type-A</li> <li>• 1x порт USB 3.1 Gen2 Type-C</li> <li>• 2x разъемы антенны WiFi</li> <li>• 5x аудиоразъемов OFC</li> <li>• 1x оптический разъем S/PDIF OUT</li> </ul>
<p><b>Разъемы на плате</b></p>	<ul style="list-style-type: none"> <li>• 1x 24-контактный разъем питания ATX</li> <li>• 1x 8-контактный разъем питания ATX 12B</li> <li>• 1x 4-контактный разъем питания ATX 12B</li> <li>• 1x плоский 4-контактный разъем питания ATX 12B *</li> <li>• 10x разъемов SATA 6Гб/с</li> <li>• 2x разъемы USB 2.0 (Поддержка 4-х дополнительных портов USB 2.0)</li> <li>• 2x разъемы USB 3.1 Gen1 connectors (Поддержка 4-х дополнительных портов USB 3.1 Gen1)</li> <li>• 1x порт USB 3.1 Gen2 Type-C</li> </ul>

Продолжение на следующей странице

Продолжение с предыдущей страницы

<b>Разъемы на плате</b>	<ul style="list-style-type: none"><li>• 1x 4-контактный разъем вентилятора процессора</li><li>• 1x 4-контактный разъем Water Pump</li><li>• 4x 4-контактных разъема вентилятора системы</li><li>• 4x 4-контактных расширительного разъема вентилятора</li><li>• 2x разъема передней панели</li><li>• 1x аудиоразъем передней панели</li><li>• 1x разъем RGB LED</li><li>• 1x разъем модуля TPM</li><li>• 1x разъем виртуального RAID на процессоре</li><li>• 1x 2-контактный разъем датчиков температуры</li></ul> <p>* Обеспечивает дополнительное электропитание для слотов PCIe x16</p>
<b>Кнопки на плате</b>	<ul style="list-style-type: none"><li>• 1x кнопка GAME BOOST</li><li>• 1x кнопка питания</li><li>• 1x кнопка перезагрузки</li><li>• 1x кнопка BCLK+/ Ratio+</li><li>• 1x кнопка BCLK-/ Ratio-</li></ul>
<b>Переключатели</b>	<ul style="list-style-type: none"><li>• 1x переключатель Multi-BIOS</li></ul>
<b>Джемпер</b>	<ul style="list-style-type: none"><li>• 1x джемпер очистки данных CMOS</li><li>• 1x разъем OC retry</li><li>• 1x разъем OC принудительного входа в BIOS</li><li>• 1x разъем датчика открытия корпуса</li><li>• 1x джемпер медленной загрузки</li></ul>
<b>Индикатор отладки</b>	1x 2-значный индикатор отладки
<b>Аудио</b>	<ul style="list-style-type: none"><li>• Realtek® ALC1220 Codec</li><li>• 7.1-канальный High Definition Audio</li><li>• Поддержка S/PDIF-out</li></ul>
<b>Контроллер ввода-вывода</b>	NUVOTON NCT6795
<b>Аппаратный мониторинг</b>	<ul style="list-style-type: none"><li>• Определение температуры процессора/системы</li><li>• Определение скорости вентиляторов процессора/системы</li><li>• Управление скоростью вентиляторов процессора/системы</li></ul>

Продолжение на следующей странице

Продолжение с предыдущей страницы

<b>Форм-фактор</b>	<ul style="list-style-type: none"><li>• EATX Форм-фактор</li><li>• 12 x 10.7 дюйма (30.5 x 27.2 см)</li></ul>
<b>Параметры BIOS</b>	<ul style="list-style-type: none"><li>• 2x 128 Мб флэш</li><li>• UEFI AMI BIOS</li><li>• ACPI 6.0, SM BIOS 3.0</li><li>• Мультиязычный интерфейс</li></ul>
<b>Программное обеспечение</b>	<ul style="list-style-type: none"><li>• Драйверы</li><li>• APP MANAGER</li><li>• COMMAND CENTER</li><li>• LIVE UPDATE 6</li><li>• SMART TOOL</li><li>• DRAGON EYE</li><li>• GAMING APP</li><li>• X-BOOST</li><li>• MYSTIC LIGHT</li><li>• RAMDISK</li><li>• GAMING LAN MANAGER</li><li>• DPC LATENCY TUNER</li><li>• FAST BOOST</li><li>• SUPER CHARGER</li><li>• Nahimic Audio</li><li>• XSplit Gamecaster V2</li><li>• SteelSeriesEngine 3</li><li>• WTFast</li><li>• CPU-Z MSI GAMING</li><li>• Intel Extreme Tuning Utility</li><li>• Norton™ Internet Security Solution</li><li>• Google Chrome™, Google Toolbar, Google Drive</li><li>• TriDef® VR</li><li>• TriDef® SmartCam</li></ul>

Продолжение на следующей странице

Продолжение с предыдущей страницы

**Эксклюзивные  
функции**

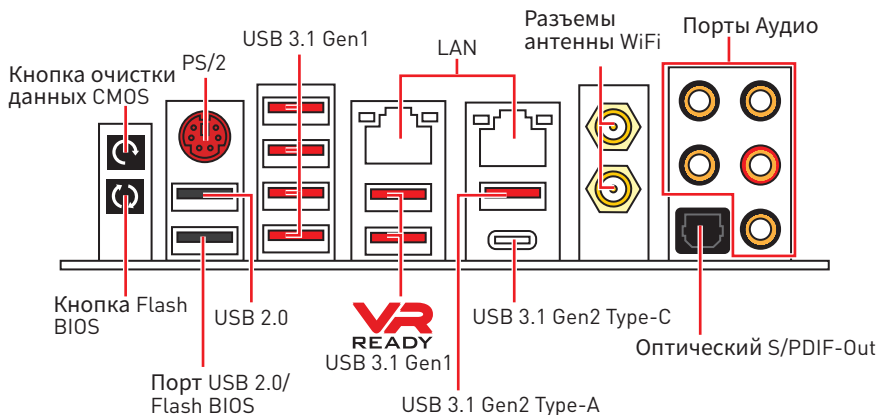
- **Аудио**
  - Audio Boost 4
  - Nahimic 2
- **Сеть**
  - GAMING LAN с контроллером LAN Manager
  - Dual LAN
  - Intel WiFi
- **Накопитель**
  - Turbo U.2
  - Triple Turbo M.2
- **Вентикатор**
  - Pump Fan
  - Интеллектуальное управление скоростью вращения вентиляторов
- **Индикатор**
  - Mystic Light
  - Mystic Light Extension
  - Mystic light SYNC
  - Индикатор отладки EZ
- **Защита**
  - DDR4 Steel Armor
  - M.2 Shield FROZR
  - M.2 Shield
  - Steel Backplate
  - PCI-E Steel Armor
  - U.2 Steel Armor
  - M.2 Steel Armor
  - VR Cover

Продолжение на следующей странице

**Эксклюзивные  
функции**

- Производительность
  - Multi GPU – SLI Technology
  - Multi GPU – CrossFire Technology
  - DDR4 Boost
  - GAME Boost
  - OC Engine
  - Lightning USB
  - Передний Lightning USB
  - USB с интерфейсом Type A+C
- Стабильность
  - Military Class 6
  - 7000+ Quality Test
- VR
  - VR Boost
  - VR Ready
- Ощущение игроков
  - GAMING HOTKEY
  - GAMING MOUSE Control
- BIOS
  - Click BIOS 5
  - Flash BIOS
  - Dual BIOS
- Сертификация
  - Quadro SLI Ready
  - Quadro Ready
  - GAMING Certified
  - SteelSeries Certified

# Задняя панель портов ввода/ вывода



• **Кнопка очистки данных CMOS** - Выключите компьютер. Нажмите и удерживайте кнопку очистки данных CMOS на 5-10 секунд для сброса настройки BIOS по умолчанию.

• **Порт/ Кнопка Flash BIOS** - Обратитесь к странице 49 для получения информации о обновлении BIOS при помощи Flash BIOS.

## Таблица состояний индикатора порта LAN

Подключение/ Работа индикатора		Скорость передачи данных								
Состояние	Описание									
Выкл.	Не подключен	<table border="1"> <thead> <tr> <th>Состояние</th> <th>Описание</th> </tr> </thead> <tbody> <tr> <td>Выкл.</td> <td>10 Мбит/с подключение</td> </tr> <tr> <td>Желтый</td> <td>100 Мбит/с подключение</td> </tr> <tr> <td>Оранжевый</td> <td>1 Гбит/с подключение</td> </tr> </tbody> </table>	Состояние	Описание	Выкл.	10 Мбит/с подключение	Желтый	100 Мбит/с подключение	Оранжевый	1 Гбит/с подключение
Состояние	Описание									
Выкл.	10 Мбит/с подключение									
Желтый	100 Мбит/с подключение									
Оранжевый	1 Гбит/с подключение									
Желтый	Подключен									
Мигает	Передача данных									

## Конфигурация портов Аудио

Порты Аудио	Канал			
	2	4	6	8
Выход центральной колонки/ сабвуфера			●	●
Тыловые колонки		●	●	●
Линейный вход/ Выход боковых колонок				●
Линейный выход/ Выход фронтальных колонок	●	●	●	●
Микрофонный вход				

(●: подключен, Пусто: не подключен)

## Менеджер Realtek HD Audio

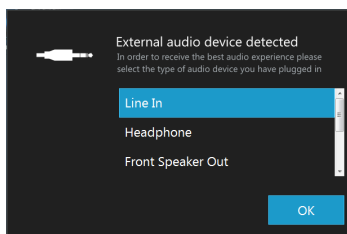
После установки драйвера **Realtek HD Audio**, в системном трее появится значок **Realtek HD Audio Manager**. Дважды щелкните по значку для запуска приложения.



- **Выбор устройства** - позволяет выбрать источник аудио выхода и изменить соответствующие параметры. Отмеченное устройство будет использоваться по умолчанию.
- **Дополнительные эффекты** - это список опций по настройке звуковых эффектов для входного и выходного сигнала аудио устройства.
- **Мастер-громкость** - регулирует громкость или баланс правой и левой колонок, подключенных к передней или задней панели.
- **Профили** - позволяют переключаться между различными профилями.
- **Расширенные настройки** - обеспечивают работу с двумя независимыми потоками аудио.
- **Состояние разъемов** - отображает все устройства воспроизведения и записи, подключенные к компьютеру.
- **Настройки подключений** - настраивают параметры подключения.

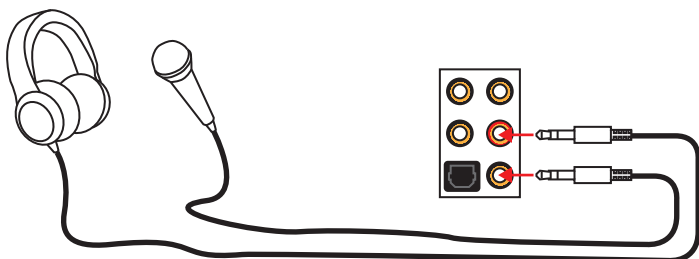
### Автоматическое всплывающее диалоговое окно

При подключении устройства к разъему аудио появится диалоговое окно с просьбой подтвердить подключенное устройство.

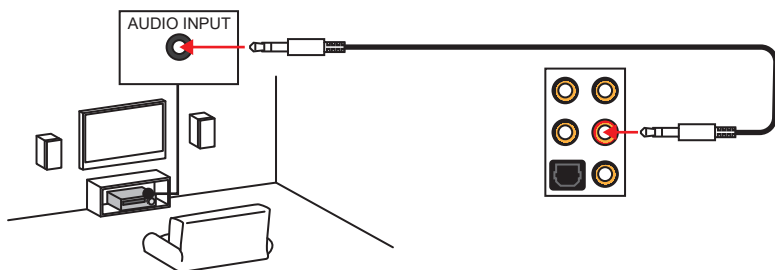


Каждый разъем соответствует его настройкам по умолчанию, как показано на следующей странице.

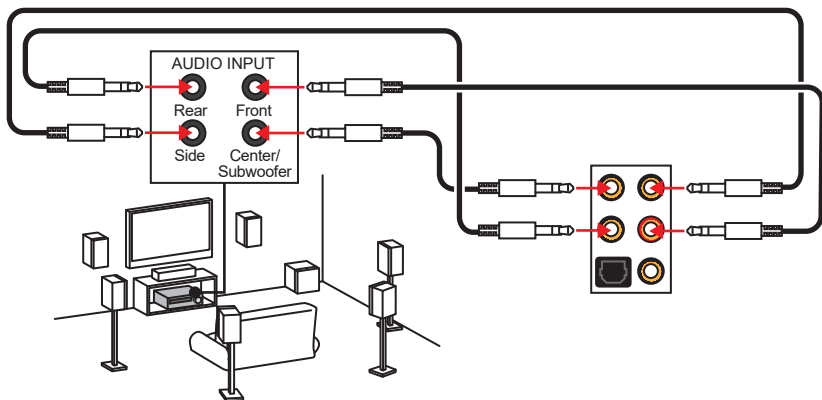
## Подключение наушников и микрофона



## Подключение внешнего стерео усилителя (колонок)

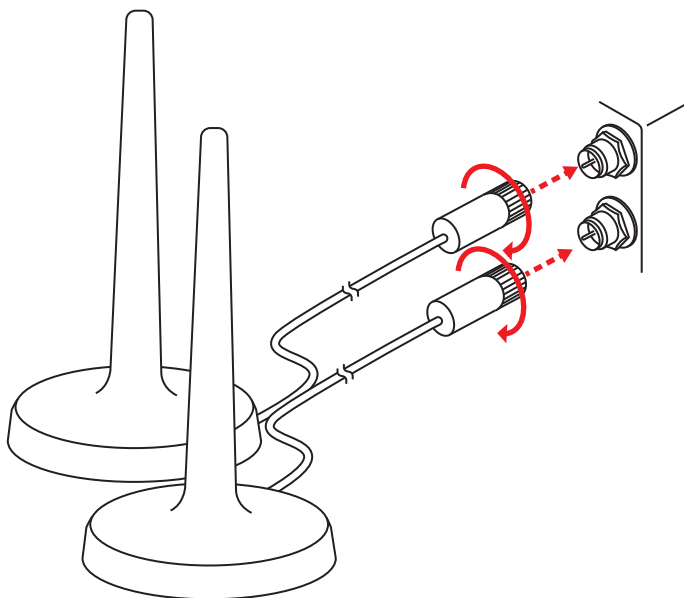


## Подключение звуковой системы 7.1

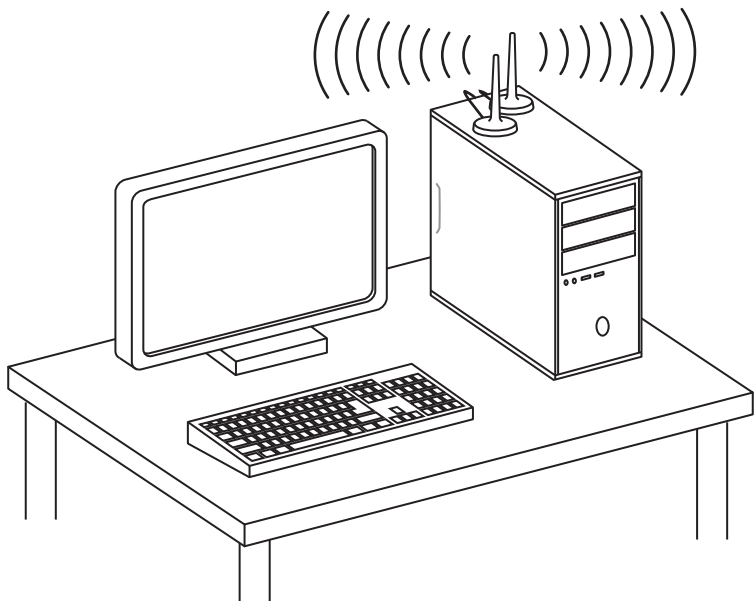


## Установка антенн

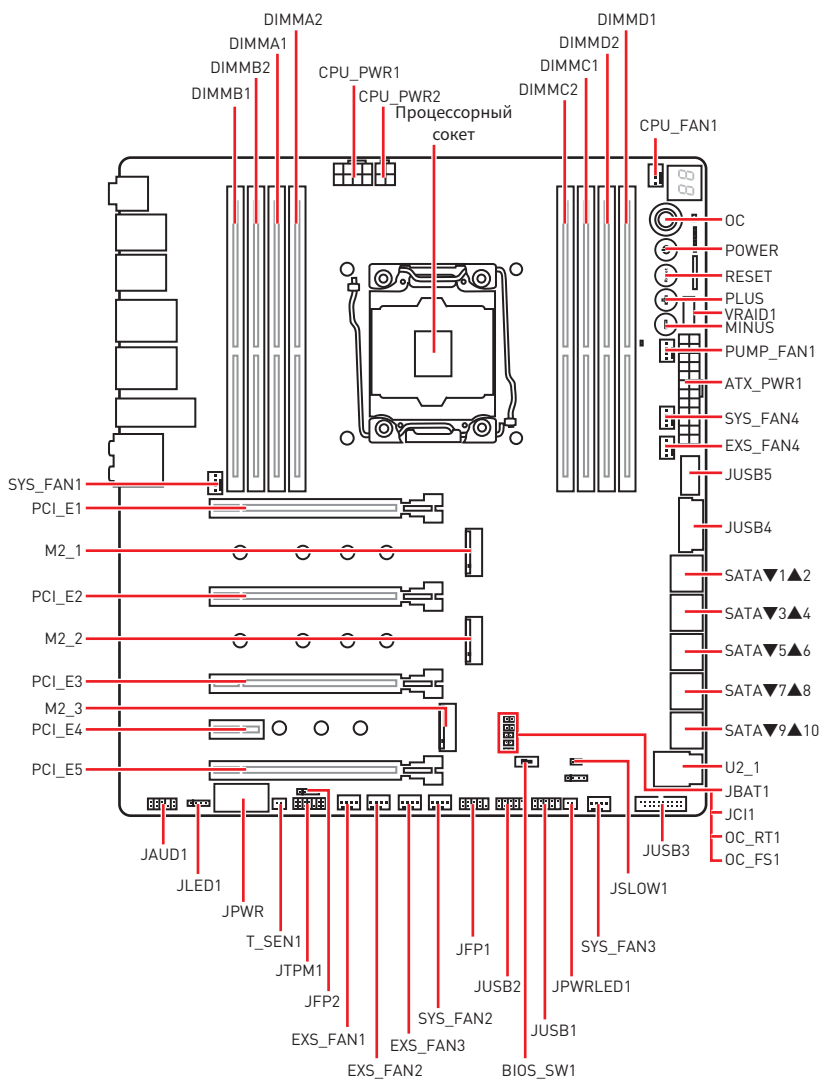
1. Прикрутите антенны к разъемам антенны WiFi, как показано на рисунке ниже.



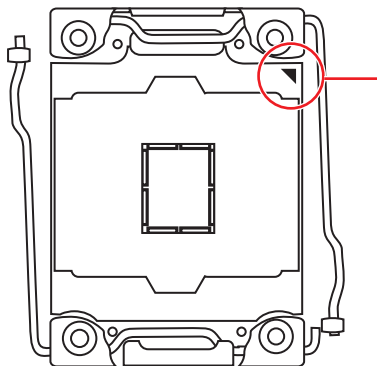
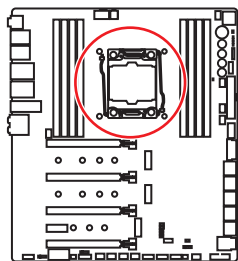
2. Поместите антенны как можно выше.



# Компоненты материнской платы

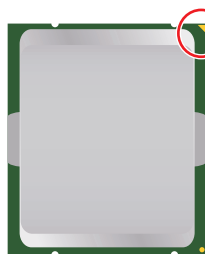


## Процессорный сокет



## Процессор LGA 2066

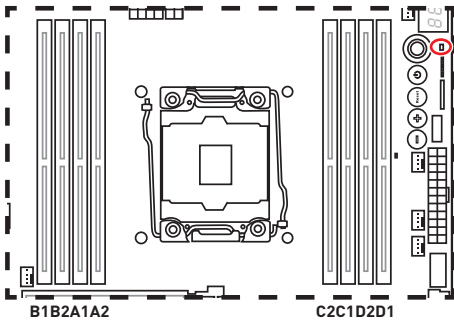
На поверхности процессора LGA2066 имеются четыре знака совмещения и золотой треугольник для правильной установки процессора относительно процессорного сокета материнской платы. Золотой треугольник указывает на контакт 1.



### **Внимание!**

- Перед установкой или заменой процессора, необходимо отключить кабель питания.
- Пожалуйста, сохраните защитную крышку процессорного сокета после установки процессора. Любые возможные гарантийные случаи, связанные с работой материнской платы, MSI® будет рассматривать только, при наличии защитной крышки на процессорном сокете.
- При установке процессора обязательно установите процессорный кулер. Кулер, представляющий собой систему охлаждения процессора, предотвращает перегрев и обеспечивает стабильную работу системы.
- Перед включением системы проверьте герметичность соединения между процессором и радиатором.
- Перегрев может привести к серьезному повреждению процессора и материнской платы. Всегда проверяйте работоспособность вентилятора для защиты процессора от перегрева. При установке кулера нанесите ровный слой термопасты (или термоленту) на крышку установленного процессора для улучшения теплопередачи.
- Если процессор не установлен, всегда защищайте контакты процессорного сокета пластиковой крышкой.
- Если вы приобрели отдельно процессор и процессорный кулер, подробное описание установки см. в документации в данном кулере.
- Данная системная плата разработана с учетом возможности ее «разгона». Перед выполнением разгона системы убедитесь в том, что все компоненты системы смогут его выдержать. Производитель не рекомендует использовать параметры, выходящие за пределы технических характеристик устройств. Гарантия MSI® не распространяется на повреждения и другие возможные последствия ненадлежащей эксплуатации оборудования.

## Слоты DIMM



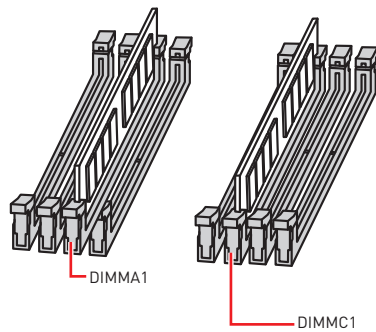
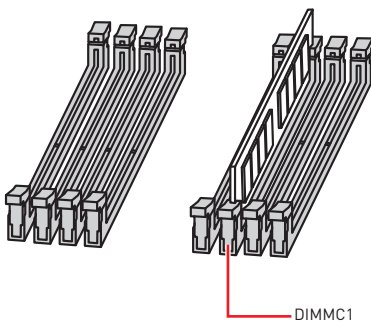
**Индикатор S/K :** Индикатор S/K показывает поддерживаемую установленным процессором архитектуру памяти: 4-канальную или 2-х канальную.

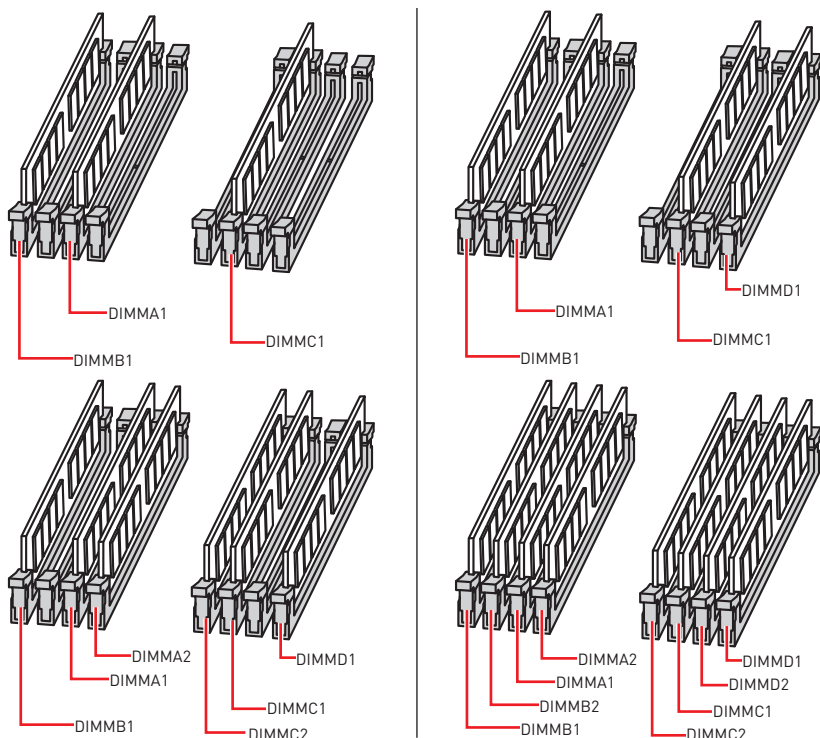
□ Красный = Поддержка 8 слотов DIMM (процессор с поддержкой 4-х канального режима)

□ Белый = Поддержка 4 слота DIMM (процессор с поддержкой 2-х канального режима)

## Рекомендации по установке модулей памяти (для процессора с поддержкой 4-х канальной архитектуры памяти)

	B1	B2	A1	A2	Процессор Intel® Core™ серии X	C2	C1	D2	D1
1 DIMM					Поддержка 4-х канальной архитектуры памяти		✓		
2 DIMMs			✓				✓		
3 DIMMs	✓		✓				✓		
4 DIMMs	✓		✓				✓		✓
5 DIMMs	✓		✓				✓	✓	✓
6 DIMMs	✓		✓	✓			✓	✓	✓
7 DIMMs	✓	✓	✓	✓			✓	✓	✓
8 DIMMs	✓	✓	✓	✓			✓	✓	✓





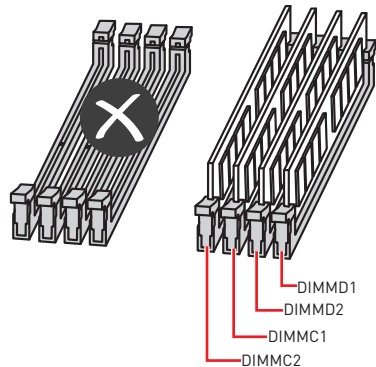
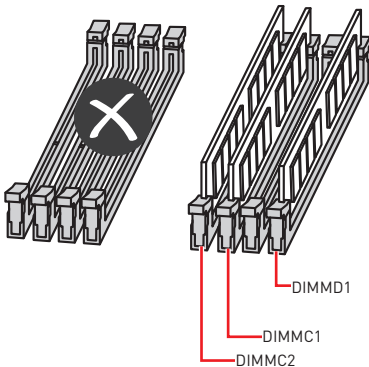
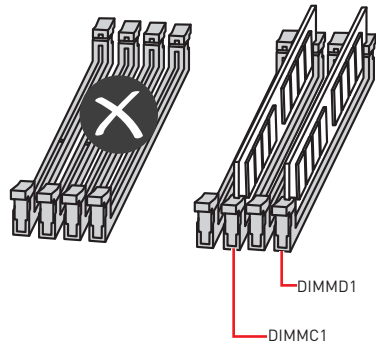
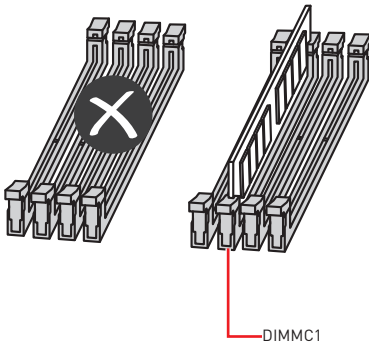
### **⚠ Внимание!**

- Всегда устанавливайте модуль памяти сначала в слот **DIMMC1**.
- Для более стабильной работы системы в двухканальном/ трехканальном/ четырехканальном режимах, модули памяти должны быть одинакового типа, количества и емкости. Для каждого канала, установка модулей должна начинаться с нечетного DIMM слота.
- В связи со спецификой использования ресурсов чипсета, доступный объем памяти будет немного меньше, чем фактически установленный.
- На основе характеристик процессора, рекомендуется устанавливать напряжение на памяти DIMM менее 1.35 В. Это позволит защитить процессор.
- Пожалуйста, обратите внимание на то, что максимальная емкость адресуемой памяти для 32-бит ОС Windows, составляет не более 4 Гб. Если вы хотите использовать более 4Гб оперативной памяти на материнской плате, рекомендуется устанавливать 64-бит ОС Windows.
- При установке памяти во все слоты, а также при ее разгоне, рекомендуется использовать более эффективную систему охлаждения памяти.
- Совместимость и стабильность работы установленного модуля памяти при разгоне зависит от установленного процессора и других устройств.

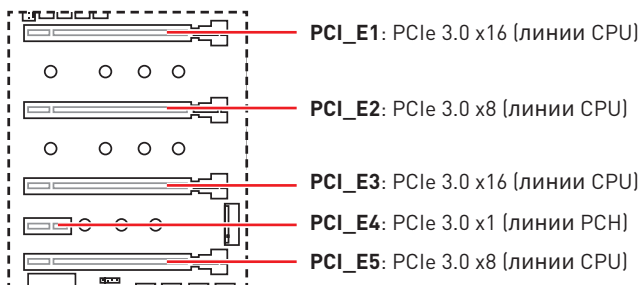
## Рекомендации по установке модулей памяти (для процессора с поддержкой 2-х канальной архитектуры памяти)

	B1	B2	A1	A2	Процессор Intel® Core™ серии X	C2	C1	D2	D1
1 DIMM					Поддержка 2-х канальной архитектуры памяти		✓		
2 DIMMs							✓		✓
3 DIMMs						✓	✓		✓
4 DIMMs						✓	✓	✓	✓

DIMMB1, B2, A1 и A2 недоступны.



## PCI\_E1~6: Слоты расширения PCIe



## Таблица пропускной способности PCIe и разъема M2\_3

Для процессоров поддерживающих 44 линии

Видеокарт	Одинарный	2-Way	3-Way*	3-Way	4-Way
PCI_E1	Ⓜ 3.0 x16	Ⓜ 3.0 x16	Ⓜ 3.0 x16	Ⓜ 3.0 x8	Ⓜ 3.0 x8
PCI_E2	3.0 x8	3.0 x8	—	Ⓜ 3.0 x8	Ⓜ 3.0 x8
PCI_E3	3.0 x16	Ⓜ 3.0 x16	Ⓜ 3.0 x16	Ⓜ 3.0 x16	Ⓜ 3.0 x16
PCI_E4	3.0 x1	3.0 x1	3.0 x1	3.0 x1	3.0 x1
PCI_E5	3.0 x8	3.0 x8	Ⓜ 3.0 x8	3.0 x8	Ⓜ 3.0 x8
M2_3	3.0 x4	3.0 x4	3.0 x4	3.0 x4	3.0 x4

(Ⓜ: слот видеокарты, —: недоступно, \*: наилучшая комбинация)

Для процессоров поддерживающих 28 линий

Видеокарт	Одинарный*	Одинарный	2-Way*	2-Way	3-Way*	3-Way
PCI_E1	Ⓜ 3.0 x16	Ⓜ 3.0 x16	Ⓜ 3.0 x16	Ⓜ 3.0 x8	Ⓜ 3.0 x8	Ⓜ 3.0 x8
PCI_E2	3.0 x8	3.0 x8	—	3.0 x8	Ⓜ 3.0 x8	Ⓜ 3.0 x8
PCI_E3	3.0 x8	3.0 x8	Ⓜ 3.0 x8	Ⓜ 3.0 x8	Ⓜ 3.0 x8	Ⓜ 3.0 x8
PCI_E4	3.0 x1	3.0 x1	3.0 x1	3.0 x1	3.0 x1	3.0 x1
PCI_E5	3.0 x4	—	3.0 x4	—	3.0 x4	—
M2_3	—	3.0 x4	—	3.0 x4	—	3.0 x4

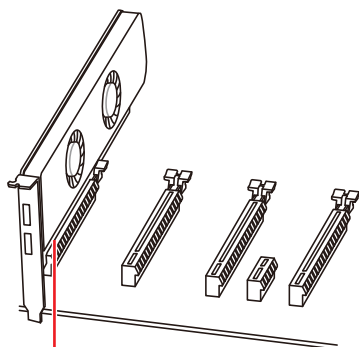
(Ⓜ: слот видеокарты, —: недоступно, \*: наилучшая комбинация)

Для процессоров поддерживающих 16 линий

Видеокарт	Одинарный*	Одинарный
PCI_E1	Ⓜ 3.0 x8	Ⓜ 3.0 x8
PCI_E2	—	—
PCI_E3	3.0 x4	3.0 x4
PCI_E4	3.0 x1	3.0 x1
PCI_E5	3.0 x4	—
M2_3	—	3.0 x4

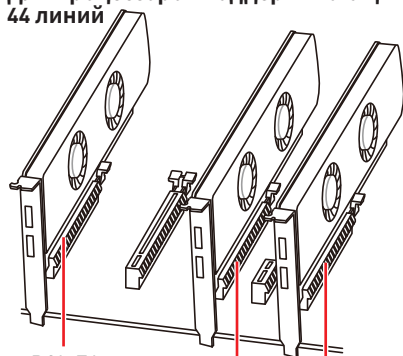
(Ⓜ: слот видеокарты, —: недоступно, \*: наилучшая комбинация)

## Рекомендации по установке нескольких видеокарт



PCI\_E1

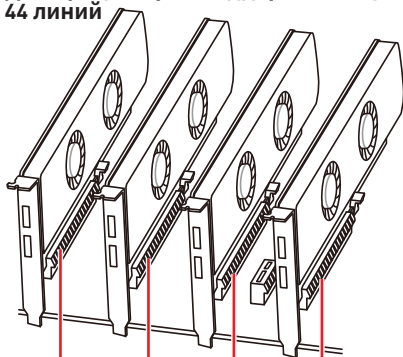
### Для процессоров поддерживающих 44 линий



PCI\_E1

PCI\_E3 PCI\_E5

### Для процессоров поддерживающих 44 линий



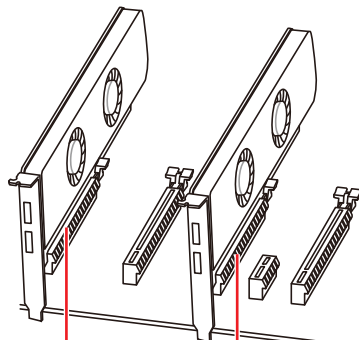
PCI\_E1

PCI\_E2

PCI\_E3

PCI\_E5

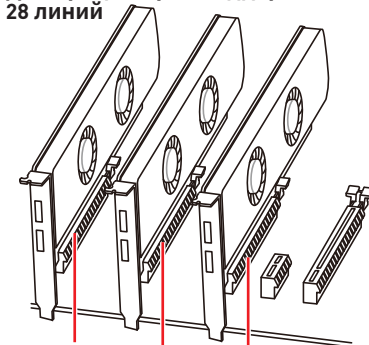
### Для процессоров поддерживающих 44 и 28 линий



PCI\_E1

PCI\_E3

### Для процессоров поддерживающих 28 линий



PCI\_E1

PCI\_E2

PCI\_E3

### **Внимание!**

При установке массивной видеокарты, необходимо использовать такой инструмент, как **MSI Gaming Series Graphics Card Bolster** для поддержки веса графической карты и во избежание деформации слота.

## **Внимание!**

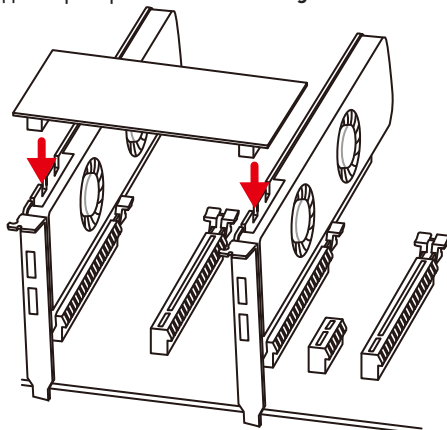
- Для установки одной карты расширения PCIe x16 с оптимальной производительностью рекомендуется использовать слот **PCI\_E1**.
- Перед установкой или извлечением плат расширения убедитесь, что кабель питания отключен от электрической сети. Прочтите документацию на карту расширения и выполните необходимые дополнительные аппаратные или программные изменения для данной карты.

## Установка видеокарт в режиме SLI

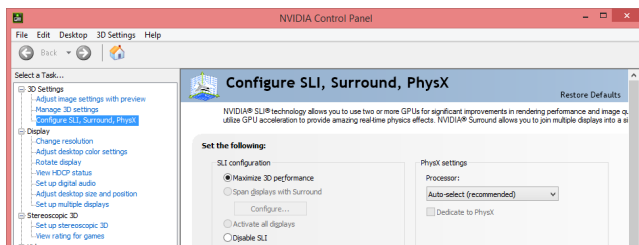
Для выполнения рекомендаций по питанию видеокарт в SLI конфигурациях, пожалуйста, обратитесь к руководству пользователя вашей видеокарты, чтобы убедиться, что она соответствует всем требованиям системы.

Для установки видеокарт в SLI:

1. Выключите компьютер и отсоедините шнур питания. Установите две видеокарты в слот **PCI\_E1** и **PCI\_E3**.
2. Соедините видеокарты разъемом **SLI Bridge**.

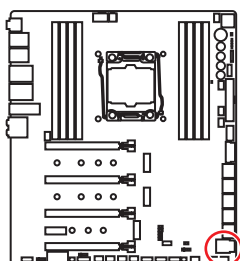


3. Подключите все разъемы питания PCIe видеокарт.
4. Подключите кабель питания, включите компьютер, установите драйверы и программное обеспечение из комплекта поставки видеокарты.
5. Щелкните правой кнопкой мыши на Рабочем столе Windows и выберите **NVIDIA Control Panel** из раскрывшегося меню. Нажмите на **Configure SLI, Surround, PhysX** в левой панели задач и выберите **Maximize 3D performance** в меню конфигурации SLI, а затем нажмите кнопку **Apply**.



## U2\_1: Разъем U.2

Данный разъем представляет собой U.2 интерфейсный порт. К каждому разъему можно подключить устройства хранения данных NVMe PCIe 3.0 x4.

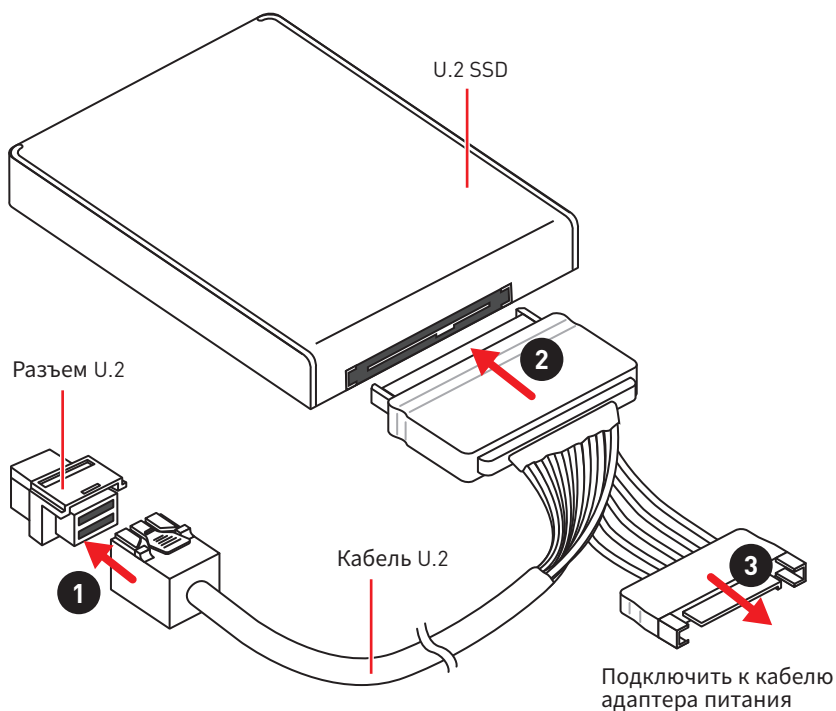


### Видео Инструкция

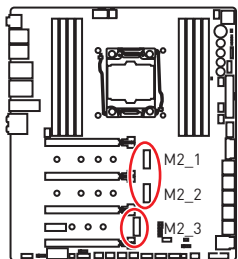
Смотрите видео, чтобы узнать как установить U.2 SSD. <http://youtu.be/KgFvKDxymvw>

### Установка U.2 SSD

1. Подключите кабель U.2 к разъему U.2 на системной плате.
2. Подключите кабель U.2 к U.2 SSD.
3. Подключите кабель U.2 к кабелю адаптера питания.



## M2\_1~3: Разъемы M.2 (Ключ M)



### **Внимание!**

- Intel® RST только поддерживает PCIe M.2 SSD с UEFI ROM.
- Память Intel® Optane™ Memory совместима с разъемы M2\_1, M2\_2.
- Разъем M2\_3 только поддерживает интерфейс PCIe 3.0.



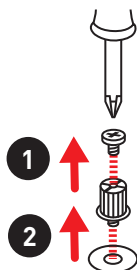
### **Видео Инструкция**

Смотрите видео, чтобы узнать как установить модуль M.2.

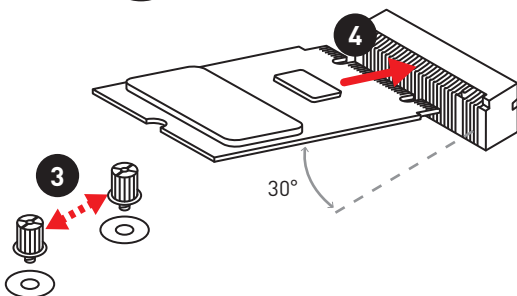
<http://youtu.be/JCTFABytrYA>

## Установка модуля M.2

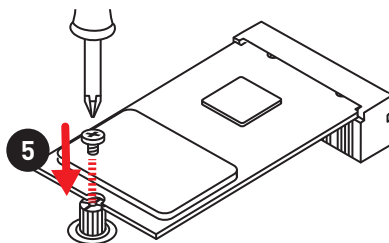
1. Выкрутите винт из стойки.
2. Выкрутите стойку.



3. Закрутите стойку в отверстие, на расстоянии, соответствующем длине вашего модуля M.2.
4. Вставьте модуль M.2 в разъем M.2 под углом 30 градусов.



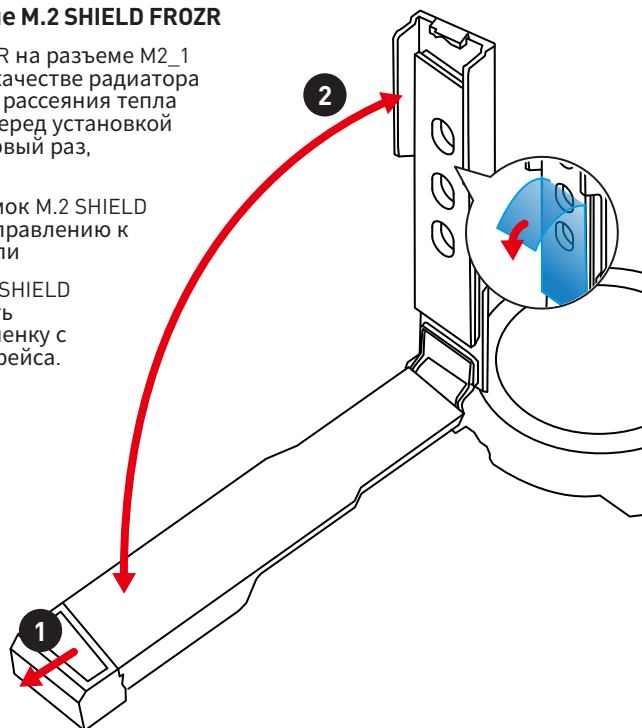
5. Совместите винт с выемкой на задней кромке модуля M.2 и закрутите его в стойку.



## Использование M.2 SHIELD FROZR

M.2 SHIELD FROZR на разъеме M2\_1 используется в качестве радиатора охлаждения для рассеяния тепла от модуля M.2. Перед установкой модуля M.2 в первый раз, необходимо:

1. Сдвиньте замок M.2 SHIELD FROZR по направлению к задней панели
2. Поднять M.2 SHIELD FROZR и снять защитную пленку с термоинтерфейса.

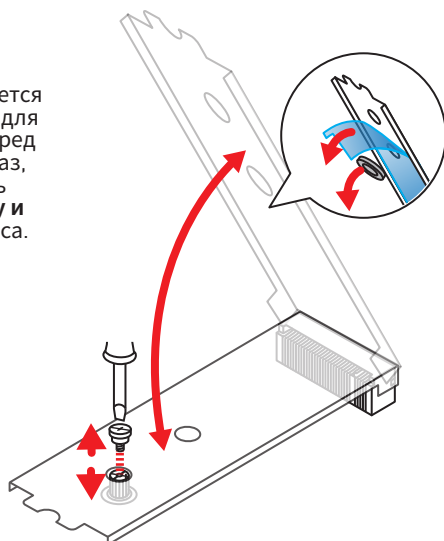


## Использование M.2 shield

M.2 shield на разъеме M.2 используется в качестве радиатора охлаждения для рассеяния тепла от модуля M.2. Перед установкой модуля M.2 в первый раз, необходимо удалить винт, поднять крышку и **снять защитную пленку и круглую резину** с термоинтерфейса.

**⚠ Внимание!**

Снимите M.2 shield, если вы не планируете его использовать.

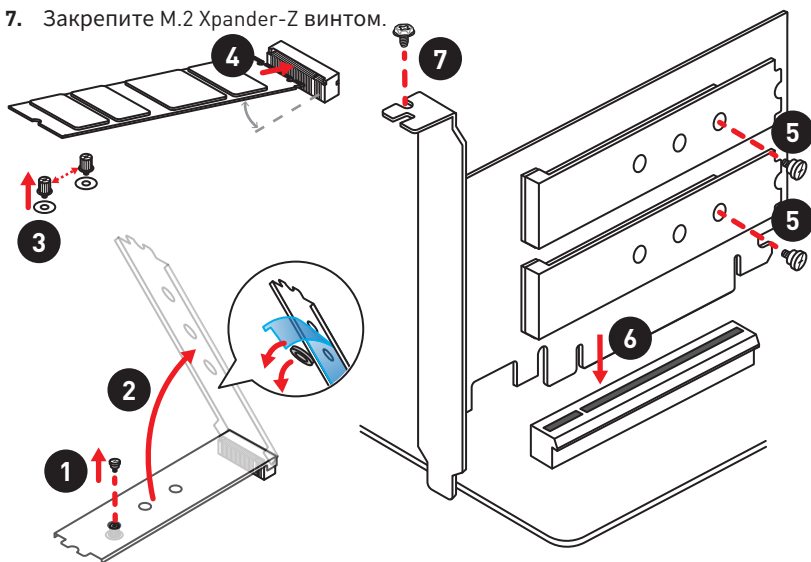


## Установка M.2 Xpander-Z

На карте M.2 Xpander-Z имеется два слота M.2 Key-M.

Для установки карты M.2 Xpander-Z:

1. Выкрутите винты из стойки.
2. Поднимите M.2 Shield и снимите защитную пленку и круглые прокладки с термоинтерфейса.
3. Переместите монтажные стрелы в соответствии с длиной M.2 SSD.
4. Вставьте M.2 SSD в разъем M.2 под углом 30 градусов.
5. Нажмите на M.2 SSD и M.2 Shield вниз и закрепите их на монтажных стрелах.
6. Вставьте M.2 Xpander-Z в слот PCIe.
  - Для процессоров, поддерживающих 44 линии - Вставьте M.2 Xpander-Z в слот PCI\_E3 или PCI\_E5.
  - Для процессоров, поддерживающих 28 линий - Вставьте M.2 Xpander-Z в слот PCI\_E2 или PCI\_E3.
  - Процессоры, поддерживающие 16 линий, не поддерживают M.2 Xpander-Z.
7. Закрепите M.2 Xpander-Z винтом.

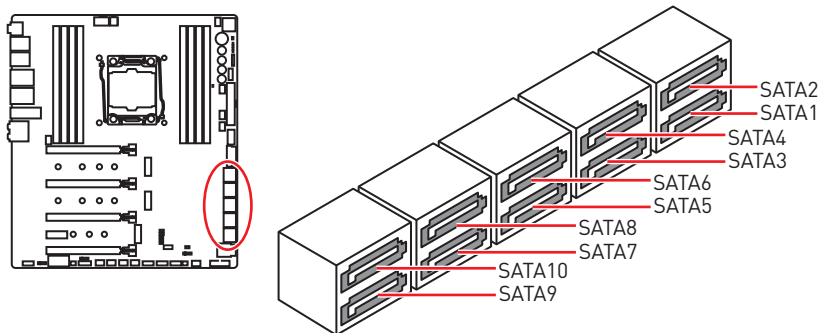


### **Внимание!**

- Процессоры, поддерживающие 16 линий, не поддерживают карту M.2 Xpander-Z.
- После удаления карты **M.2 Xpander-Z**, выключите соответствующий параметр в настройках BIOS.

## SATA1~10: Разъемы SATA 6 Гб/с

Эти разъемы представляют собой интерфейсные порты SATA 6 Гб/с. К каждому порту можно подключить одно устройство SATA.



### **Внимание!**

- Избегайте перегибов кабеля SATA под прямым углом. В противном случае, возможна потеря данных при передаче.
- Кабели SATA оснащены одинаковыми коннекторами с обеих сторон. Однако, для экономии занимаемого пространства к материнской плате рекомендуется подключать плоский разъем.

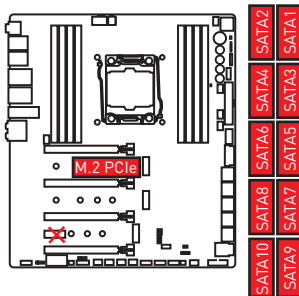
## Рекомендации и по установке устройств M2\_1, M2\_2, SATA и PCI\_E4

Слот	Комбинация											
M2_1	PCIe	PCIe	PCIe	PCIe	PCIe	PCIe	SATA	SATA	SATA	SATA	SATA	SATA
SATA1	✓	✓	✓	✓	✓	✓	—	—	—	—	—	—
SATA2	✓	✓	✓	✓	✓	✓	✓	✓	✓	✓	✓	✓
SATA3	✓	✓	✓	✓	✓	✓	✓	✓	✓	✓	✓	✓
SATA4	✓	✓	✓	✓	✓	✓	✓	✓	✓	✓	✓	✓
M2_2	—	—	SATA	SATA	PCIe	PCIe	—	—	SATA	SATA	PCIe	PCIe
SATA5	✓	✓	—	—	—	—	✓	✓	—	—	—	—
SATA6	✓	✓	✓	✓	—	—	✓	✓	✓	✓	—	—
SATA7	✓	✓	✓	✓	—	—	✓	✓	✓	✓	—	—
SATA8	✓	✓	✓	✓	—	—	✓	✓	✓	✓	—	—
PCI_E4	—	PCIe	—	PCIe	—	PCIe	—	PCIe	—	PCIe	—	PCIe
SATA9	✓	—	✓	—	✓	—	✓	—	✓	—	✓	—
SATA10	✓	—	✓	—	✓	—	✓	—	✓	—	✓	—

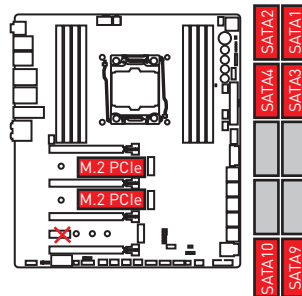
(SATA: M.2 SATA SSD, PCIe: M.2 PCIe SSD, ✓: доступно, —: не доступно)

## Разъемы M.2 и различные возможные примеры использования

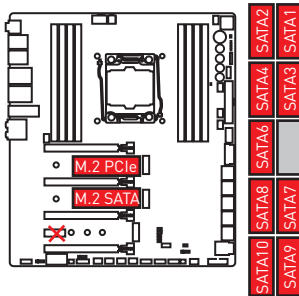
1xM.2 PCIe SSD + 10xSATA HDDs



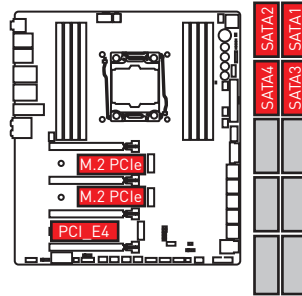
2xM.2 PCIe SSDs + 6xSATA HDDs



1xM.2 PCIe SSD + 1xM.2 SATA SSD + 9xSATA HDDs

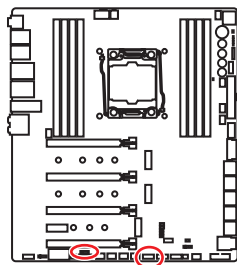


2xM.2 PCIe SSDs + 4xSATA HDDs + 1xPCI\_E4 Device



## JFP1, JFP2: Разъемы передней панели

Эти разъемы служат для подключения кнопок и светодиодных индикаторов, расположенных на передней панели.

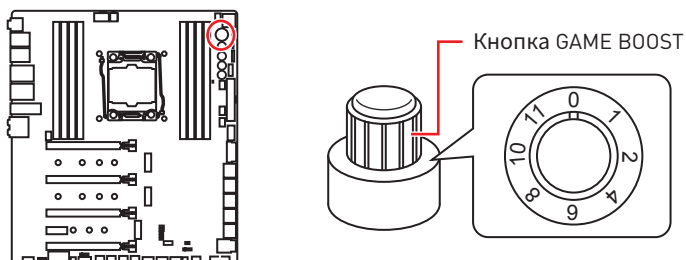


JFP1	
Pin	Function
1	HDD LED +
2	Power LED +
3	HDD LED -
4	Power LED -
5	Reset Switch
6	Power Switch
7	Reset Switch
8	Power Switch
9	Reserved
10	No Pin

JFP2	
Pin	Function
1	Speaker -
2	Buzzer +
3	Buzzer -
4	Speaker +

## OC1: Кнопка GAME BOOST

Эта кнопка позволяет вручную выбрать уровень разгона процессора, начиная с уровня 0 (по умолчанию) до уровня 11 (экстремальный). Напряжение и частота процессора будут регулироваться автоматически после включения компьютера.



### Использование кнопки GAME BOOST

Для настройки кнопки GAME BOOST, выполните следующие шаги:

1. Установите кнопку GAME BOOST в состояние аппаратного режима в настройках BIOS.

**Примечание:** Свечение индикатора данной кнопки указывает на то, что GAME BOOST управляется аппаратно. Индикатор гаснет, когда GAME BOOST управляется с помощью BIOS.

2. Выключите компьютер.
3. Поверните кнопку GAME BOOST для выбора желаемого уровня разгона.

Уровень	Частота CPU				
	i5-7640X	i7-7740X	i7-7800X	i7-7820X	i9-7900X
0	4.0 ГГц	4.3 ГГц	3.5 ГГц	3.6 ГГц	3.3 ГГц
1	4.5 ГГц	4.8 ГГц	4.1 ГГц	4.4 ГГц	4.4 ГГц
2	4.6 ГГц	4.9 ГГц	4.2 ГГц	4.5 ГГц	4.5 ГГц
4	4.7 ГГц	5.0 ГГц	4.3 ГГц	4.6 ГГц	4.6 ГГц
6	4.8 ГГц	5.1 ГГц	4.4 ГГц	4.7 ГГц	4.7 ГГц
8	4.9 ГГц	5.2 ГГц	4.5 ГГц	4.8 ГГц	4.8 ГГц
10	5.0 ГГц	5.3 ГГц	4.6 ГГц	4.9 ГГц	4.9 ГГц
11	5.1 ГГц	5.4 ГГц	4.7 ГГц	5.0 ГГц	5.0 ГГц

4. Включите компьютер и GAME BOOST будет автоматически разгонять процессор в зависимости от выбранного уровня.

Для отключения GAME BOOST:

1. Установите кнопку GAME BOOST в режим HW в настройках BIOS.
2. Выключите компьютер.
3. Поверните кнопку GAME BOOST в положение 0 и потом включите компьютер. Параметры конфигурации будут возвращены к своим значениям по умолчанию.



### **Внимание!**

• При использовании функции GAME BOOST с процессорами серии Core-X рекомендуется использовать жидкостное охлаждение процессора с двухвентиляторным радиатором для лучшего охлаждения и производительности.

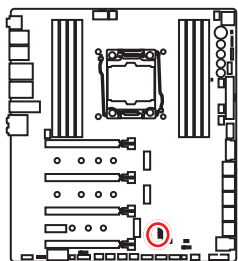
- Вы также можете управлять функцией GAME BOOST через **настройки BIOS** или при помощи утилиты **MSI COMMAND CENTER**.
- Для того, чтобы оптимизировать производительность и улучшить стабильность системы, при активации функции GAME BOOST, пожалуйста, оставьте настройки в меню **BIOS > OC** без изменения.
- Успешность разгона зависит от компонентов компьютера.
- Мы не гарантируем результаты оверклокинга при использовании функции GAME BOOST, а также не несем ответственности за повреждения и риски, вызванные разгоном.
- Для лучшей совместимости при использовании функции GAME BOOST рекомендуется использовать компоненты MSI.

## OC\_RT1: Джампер OC Retry

При нажатии и удержании этой кнопки, система будет изменять параметры разгона до тех пор, пока успешно не загрузится.

## OC\_FS1: Джампер OC принудительного входа в BIOS

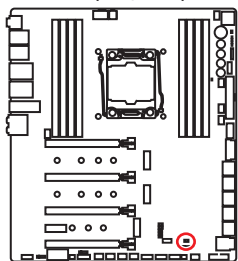
При нажатии этой кнопки система принудительно войдет в настройки BIOS без отображения сообщения о неудаче ОС.



OC_RT1		
	Нормально (По умолчанию)	Продолжение попытки ОС
OC_FS1		
	Нормально (По умолчанию)	Принудительно войти в настройки BIOS без отображения сообщения о неудаче ОС

## JSLow1: Джампер режима медленной загрузки

Данный переключатель используется в случае применения систем охлаждения LN2, что в свою очередь позволяет создать экстремальные условия для оверклокинга. Это позволяет загружаться при стабильной частоте процессора и предотвращает сбой в работе.



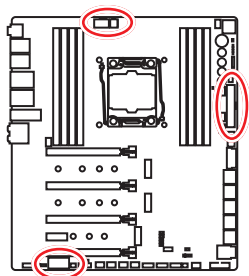
Нормально (По умолчанию)	Включено (Включите данную функцию во время прохождения процедуры POST.)

### **Внимание!**

- Всегда помните, что разгон при экстремально низких температурах вы осуществляете на свой страх и риск. Результаты разгона могут различаться в зависимости от модели процессора.
- Не устанавливайте эту перемычку в положение **Включено** при выключенном питании. В противном случае систему будет невозможно загрузить.

## CPU\_PWR1~2, ATX\_PWR1, JPWR1: Разъемы питания

Данные разъемы предназначены для подключения блока питания АТХ.



1	Ground	5	+12V
2	Ground	6	+12V
3	Ground	7	+12V
4	Ground	8	+12V

1	Ground	3	+12V
2	Ground	4	+12V

1	+3.3V	13	+3.3V
2	+3.3V	14	-12V
3	Ground	15	Ground
4	+5V	16	PS-ON#
5	Ground	17	Ground
6	+5V	18	Ground
7	Ground	19	Ground
8	PWR OK	20	Res
9	5VSB	21	+5V
10	+12V	22	+5V
11	+12V	23	+5V
12	+3.3V	24	Ground

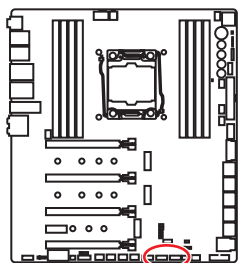
1	+12V	3	Ground
2	Ground	4	+5V

### **Внимание!**

Для обеспечения стабильной работы системной платы проверьте надежность подключения всех кабелей питания к блоку питания АТХ.

## JUSB1~2: Разъемы USB 2.0

Данные разъемы предназначены для подключения портов USB 2.0 на передней панели.



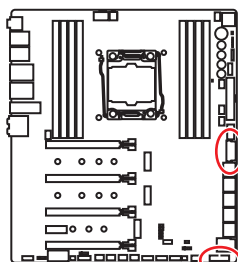
1	VCC	2	VCC
3	USB0-	4	USB1-
5	USB0+	6	USB1+
7	Ground	8	Ground
9	No Pin	10	NC

### **Внимание!**

- Помните, что во избежание повреждений, необходимо правильно подключать контакты VCC и земли.
- Для того, чтобы зарядить ваш iPad, iPhone и iPod через порты USB, пожалуйста, установите утилиту MSI® SUPER CHARGER.

## JUSB3~4: Разъемы USB 3.1 Gen1

Данные разъемы предназначены для подключения портов USB 3.1 Gen1 на передней панели.



1	Power	11	USB2.0+
2	USB3_RX_DN	12	USB2.0-
3	USB3_RX_DP	13	Ground
4	Ground	14	USB3_TX_C_DP
5	USB3_TX_C_DN	15	USB3_TX_C_DN
6	USB3_TX_C_DP	16	Ground
7	Ground	17	USB3_RX_DP
8	USB2.0-	18	USB3_RX_DN
9	USB2.0+	19	Power
10	NC	20	No Pin

### **Внимание!**

Помните, что во избежание повреждений, необходимо правильно подключать контакты питания и земли.

## Порт для зарядки устройств

Разъем **JUSB3** является портом для зарядки устройств и обеспечивает высокий зарядный ток при подключении USB устройства, например смартфона. Порт для зарядки имеет независимое от материнской платы аппаратное управление, и позволяет производить зарядку в ждущем, спящем режиме и даже при выключенном компьютере. Для нормального функционирования порта в Windows® необходимо установить приложение MSI® SUPER CHARGER, чтобы включить/ выключить режим зарядки.



### **Видео Инструкция**

Смотрите видео, чтобы узнать как зарядить смартфон при помощи Super-Charger.

<http://youtu.be/FCyvr5Nb0w>

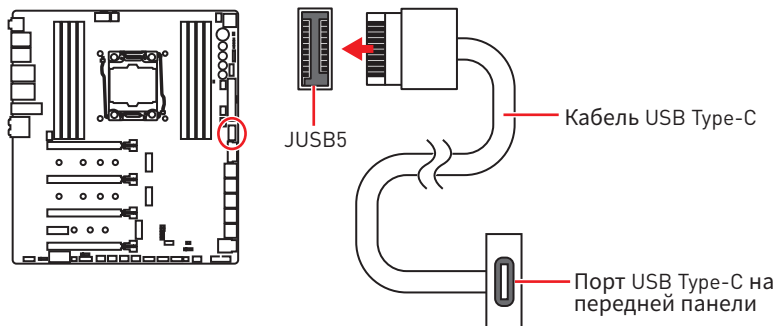


### **Внимание!**

При включении режима зарядки, передача данных через порт прекращается.

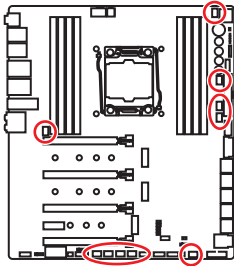
## JUSB5: Разъем USB 3.1 Gen2 Type-C

Данный разъем предназначен для подключения разъемов USB 3.1 Gen2 Type-C на передней панели. Данный коннектор имеет защиту от неправильного подключения. При подключении кабеля убедитесь, что коннектор сориентирован правильно относительно разъема.



## CPU\_FAN1, PUMP\_FAN1, SYS\_FAN1~4, EXS\_FAN1~4: Разъемы вентиляторов

Разъемы вентиляторов можно разделить на два типа: с PWM (PulseWidth Modulation) и DC управлением. Разъемы вентиляторов с PWM управлением имеют контакт с постоянным напряжением 12В, а также контакт с сигналом управления скоростью вращения. Управление скоростью вращения вентиляторов с DC управлением осуществляется через соответствующие разъемы путем изменения величины напряжения. Данная материнская плата может автоматически определить режим работы вентилятора - PWM или DC. Для настройки режима работы вентилятора вручную (PWM или DC), следуйте указаниям ниже.



### Разъем вентилятора с автоматическим управлением



CPU\_FAN1/ PUMP\_FAN1/ SYS\_FAN1/ SYS\_FAN4/ EXS\_FAN4



SYS\_FAN2/ SYS\_FAN3/ EXS\_FAN1/ EXS\_FAN2/ EXS\_FAN3



### Внимание!

- В меню BIOS > **HARDWARE MONITOR** вы можете выбрать режим работы вентилятора: PWM или DC и настроить его скорость вращения.
- Убедитесь, что вентиляторы работают правильно после выбора режима PWM/ DC.

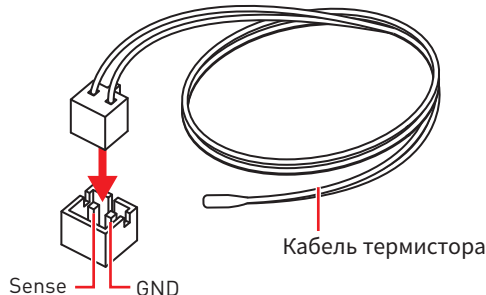
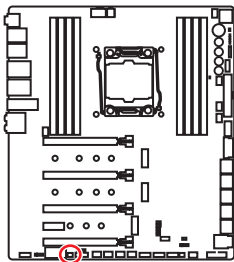
### Назначение контактов разъема для подключения вентилятора

Назначение контактов разъема для режима PWM			
1	Ground	2	+12V
3	Sense	4	Speed Control Signal

Назначение контактов разъема для режима DC			
1	Ground	2	Voltage Control
3	Sense	4	NC

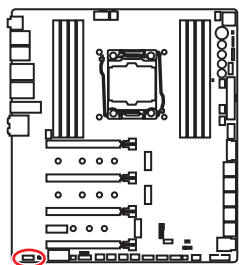
## T\_SEN1: Разъем датчика температуры

Данный разъем предназначен для подключения кабеля термистора, который используется для контроля температуры в заданной точке.



## JAUD1: Разъем аудио передней панели

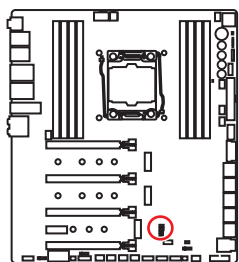
Данный разъем предназначен для подключения аудиоразъемов передней панели.



1	MIC L	2	Ground
3	MIC R	4	NC
5	Head Phone R	6	MIC Detection
7	SENSE_SEND	8	No Pin
9	Head Phone L	10	Head Phone Detection

## JC11: Разъем датчика открытия корпуса

К этому разъему подключается кабель от датчика открытия корпуса.



Нормально  
(По умолчанию)



Разрешить запись  
по событию  
открытия корпуса

### Использование датчика открытия корпуса

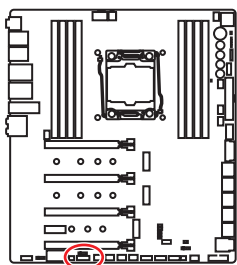
1. Подключите датчик открытия корпуса к разъему **JC11**.
2. Закройте крышку корпуса.
3. Войдите в **BIOS > Settings > Security > Chassis Intrusion Configuration**.
4. Установите **Chassis Intrusion** в **Enabled**.
5. Нажмите клавишу **F10**, чтобы сохранить настройки и выйти, а затем нажмите клавишу **Enter**, чтобы выбрать **Yes**.
6. При открытии корпуса на экране будет появляться предупреждающее сообщение каждый раз при включении компьютера.

### Сброс сообщения об открытии корпуса

1. Войдите в **BIOS > Settings > Security > Chassis Intrusion Configuration**.
2. Выберите **Chassis Intrusion, Reset**.
3. Нажмите клавишу **F10**, чтобы сохранить настройки и выйти, а затем нажмите клавишу **Enter**, чтобы выбрать **Yes**.

## JTPM1: Разъем модуля TPM

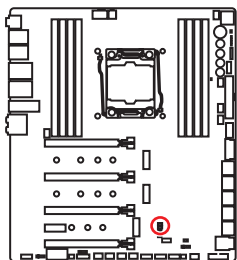
Данный разъем используется для подключения модуля TPM (Trusted Platform Module). Дополнительные сведения см. в описании модуля TPM.



1	LPC Clock	2	3V Standby power
3	LPC Reset	4	3.3V Power
5	LPC address & data pin0	6	Serial IRQ
7	LPC address & data pin1	8	5V Power
9	LPC address & data pin2	10	No Pin
11	LPC address & data pin3	12	Ground
13	LPC Frame	14	Ground

## JBAT1: Джемпер очистки данных CMOS (Сброс BIOS)

На плате установлена CMOS память с питанием от батарейки для хранения данных о конфигурации системы. Для сброса конфигурации системы (очистки данных CMOS памяти), воспользуйтесь этим джемпером.



Сохранение данных  
(По умолчанию)



Очистка данных/  
Сброс BIOS

### Сброс настроек BIOS до значений по умолчанию

1. Выключите компьютер и отключите шнур питания.
2. Используйте джемпер, чтобы замкнуть соответствующие контакты JBAT1 в течение 5-10 секунд.
3. Снимите джемпер с контактов JBAT1.
4. Подключите шнур питания и включите компьютер.

## BIOS\_SW1: Переключатель Multi-BIOS

Данная системная плата имеет два встроенных модуля BIOS ROM (с метками А и В. По умолчанию используется BIOS ROM с меткой А). В случае если один из них поврежден, у пользователя есть возможность перейти на запасной модуль с помощью переключателя.



### Восстановление BIOS

В случае “неудачного” обновления BIOS, когда система перестала загружаться, вы можете восстановить BIOS, следуя указаниям ниже. Перед восстановлением, скачайте с сайта MSI последнюю версию файла BIOS, который соответствует вашей модели материнской платы. Сохраните файл BIOS в корневую папку USB флэшки.

1. Полностью обесточьте систему.
2. Переключитесь на рабочий модуль BIOS ROM с помощью переключателя **Multi-BIOS**.
3. Вставьте флэш-диск USB в компьютер.
4. Включите компьютер и нажмите клавишу Del для входа в настройки BIOS во время процедуры POST.
5. Выберите вкладку **M-FLASH** и нажмите на кнопку **Yes** для перезагрузки системы и входа в режим обновления.
6. Выберите файл BIOS для выполнения процесса восстановления BIOS.
7. Переключитесь на поврежденный модуль BIOS ROM с помощью переключателя **Multi-BIOS**, и нажмите кнопку **Yes**, чтобы начать восстановление BIOS.
8. После завершения процесса восстановления BIOS, система перезагрузится автоматически.

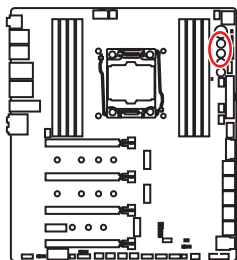


### **Внимание!**

- Переключатель **Multi-BIOS** разрешается использовать только после выключения питания компьютера.
- Вы также можете использовать утилиту **LIVE UPDATE** или **Flash BIOS** для обновления BIOS. Для получения дополнительной информации, обратитесь к разделу BIOS.

## POWER1, RESET1: Кнопка питания, Кнопка перезагрузки

Кнопка питания/ перезагрузки позволяет вам включить/ перезагрузить компьютер.



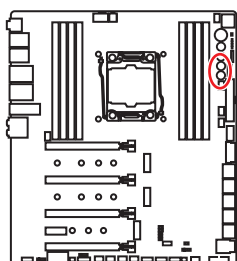
Кнопка питания



Кнопка перезагрузки

## Кнопки плюс, минус: Кнопки BCLK-Ratio

Данные кнопки позволяют увеличить или уменьшить CPU BCLK/ Ratio.



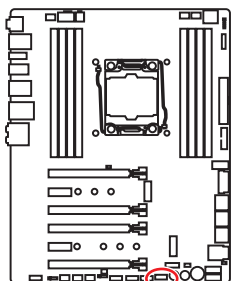
BCLK+  
/ Ratio+




BCLK-  
/ Ratio-

## VRAID1: Разъем виртуального RAID на процессоре

Этот разъем предназначен для подключения модуля VROC (Virtual RAID on CPU). Вам необходимо включить функцию VROC с помощью драйвера Intel® RSTe (Intel® Rapid Storage Technology).



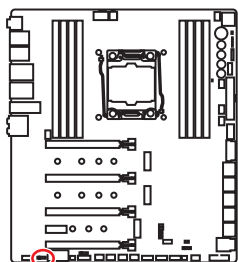
			
1	GND	2	VCC3
3	GND	4	SATA_RAID_KEY


**Внимание!**

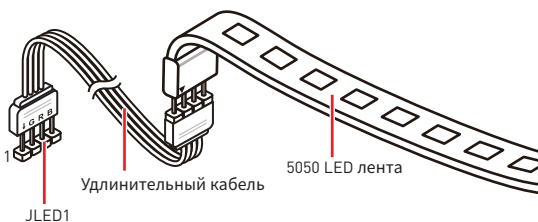
Ключевой модуль VROC приобретается отдельно.

## JLED1: Разъем RGB LED

Данный разъем предназначен для подключения светодиодных лент 5050 RGB.



			
1	+12V	2	G
3	R	4	B



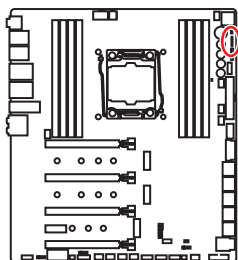
**Внимание!**

- Данный коннектор поддерживает подключение 5050 RGB многоцветных светодиодных лент с мощностью 3A (12В). Обратите внимание, что длина лент должна быть не более 2 метров, иначе яркость свечения будет падать.
- Перед установкой или заменой светодиодных лент RGB, необходимо полностью обесточить систему и отключить кабель питания.
- Используйте утилиту MSI® для управления удлинительными светодиодными лентами.

# Встроенные индикаторы

## Индикаторы отладки EZ

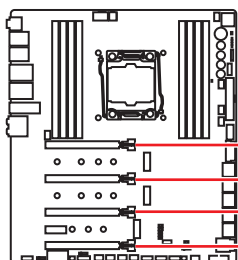
Данные светодиоды показывают состояния материнской платы.



- CPU** - процессор не обнаружен или поврежден.
- DRAM** - память DRAM не обнаружена или повреждена.
- VGA** - видеокарта не обнаружена или повреждена.
- BOOT** - устройство загрузки не обнаружено или повреждено.

## Индикаторы слотов PCIe x16

Данные светодиоды показывают состояния слотов PCIe x16.



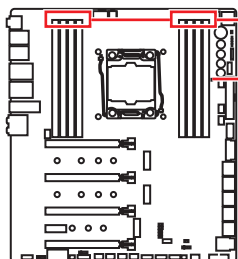
Цвет LED	Состояния слотов PCIe
Красный	x16
Белый	x8, x4, x1

## Индикаторы DIMM

Данные светодиоды показывают установленные модули памяти.

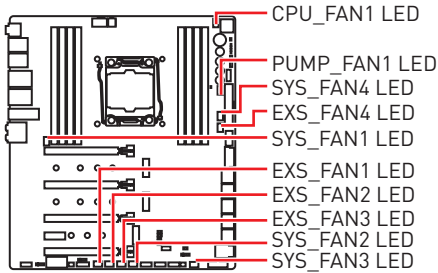
## Индикатор XMP

Данный LED показывает включение режима XMP (Extreme Memory Profile).



## Индикаторы вентилятора

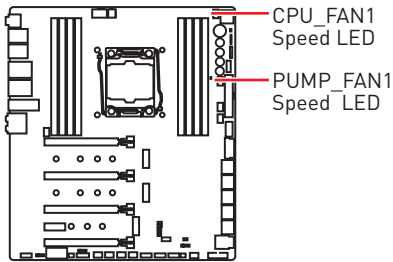
Эти индикаторы показывают режим управления вентилятором.



Цвет LED	Режим управления
Красный	Режим PWM
Зеленый	Режим DC

## Индикаторы скорости вращения вентилятора

На радиаторе чипсета и бэкплейне установлены индикаторы скорости вращения вентилятора. Цвет индикатора соответствует скорости вращения вентилятора.



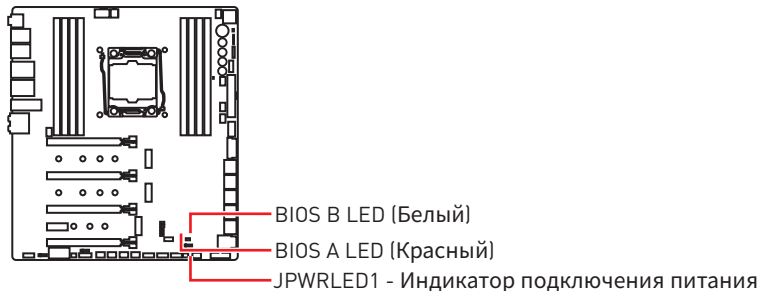
Цвет LED	Скорость вентилятора
Белый	Ниже 65%
С белого до красного	65%~80%
Красный	Выше 80%

## Индикаторы Multi-BIOS

Индикаторы Multi-BIOS LEDs показывают работающий BIOS.

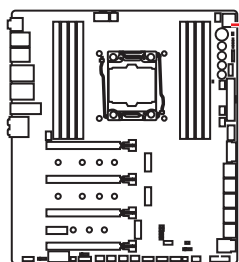
### JPWRLED1: Индикатор подключения питания для демонстрации

Данные компоненты используются в розничных магазинах для демонстрации светодиодных эффектов на плате.



## Индикатор отладочных кодов

Индикатор отладочных кодов отображает фазы процесса самотестирования POST, а также коды ошибок. Для получения дополнительной информации см. таблицу отладочных кодов.



Индикатор отладочных кодов

## Таблица шестнадцатиричных символов

Шестнадцатиричный символ	0	1	2	3	4	5	6	7	8	9	A	B	C	D	E	F
Индикатор отладочных кодов	0	1	2	3	4	5	6	7	8	9	A	B	C	D	E	F

## Фазы загрузки

**Security (SEC)** – начальная инициализация низкого уровня

**Pre-EFI Initialization (PEI)** – инициализация памяти

**Driver Execution Environment (DXE)** – инициализация оборудования

**Boot Device Selection (BDS)** – настройки системы, пользовательский интерфейс до загрузки ОС & выбор загрузочного устройства (CD/DVD, HDD, USB, Network, Shell, ...)

## Таблица отладочных кодов

### Прогресс-коды SEC

01	Питание включено. Определение типа сброса (soft/hard)
02	Инициализация AP перед загрузкой микрокода
03	Инициализация System Agent перед загрузкой микрокода
04	Инициализация PCN перед загрузкой микрокода
06	Загрузка микрокода
07	Инициализация AP после загрузки микрокода
08	Инициализация System Agent после загрузки микрокода
09	Инициализация PCN после загрузки микрокода

0B	Инициализация Кэша
----	--------------------

### Коды ошибок SEC

0C - 0D	Зарезервировано для будущего использования кодами ошибок AMI SEC
0E	Микрокод не найден
0F	Микрокод не загружен

### Прогресс-коды PEI

10	Запущено ядро PEI
11	Запущена инициализация Pre-memory CPU
12 - 14	Инициализация Pre-memory CPU (только модуль CPU)
15	Запущена предварительная инициализации System Agent

16 - 18	Предварительная инициализация System Agent (только модуль System Agent)
19	Запущена предварительная инициализации памяти PCH
1A - 1C	Предварительная инициализация памяти PCH (только модуль PCH)
2B	Инициализация памяти. Чтение данных Serial Presence Detect (SPD)
2C	Инициализация памяти. Определение наличия памяти
2D	Инициализация памяти. Информация о программировании таймингов памяти
2E	Инициализация памяти. Конфигурирование памяти
2F	Инициализация памяти (другое)
31	Память установлена
32	Запущена инициализация CPU post-memory
33	Инициализация CPU post-memory. Инициализация Кэша
34	Инициализация CPU post-memory. Инициализация Application Processor(s) (AP)
35	Инициализация CPU post-memory Загрузка. Выбор Strap Processor (BSP)
36	Инициализация CPU post-memory Система. Инициализация Management Mode (SMM)
37	Запущена предварительная инициализация Post-Memory System Agent
38 - 3A	Инициализация Post-Memory System Agent (только модуль System Agent)
3B	Запущена инициализация Post-Memory PCH
3C - 3E	Инициализация Post-Memory PCH (только модуля PCH)
4F	Запущен DXE IPL

### Коды ошибок PEI

50	Ошибка инициализации памяти. Несовместимый тип памяти или несовместимая частота
51	Ошибка инициализации памяти. Ошибка чтения SPD
52	Ошибка инициализации памяти. Неверный объем памяти или разные модули памяти

53	Ошибка инициализации памяти. Не обнаружено работоспособной памяти
54	Непредвиденная ошибка инициализации памяти
55	Память не установлена
56	Недопустимый тип процессора или недопустимая частота
57	Недопустимый процессор
58	Самотестирование процессора не выполнено или возможная ошибка кэша
59	Микрокод процессора не найден либо обновление микрокода не выполнено
5A	Внутренняя ошибка процессора
5B	Сброс PPI не доступен
5C - 5F	Зарезервировано для будущего использования кодами AMI

### Прогресс-коды DXE

60	Запущен DXE Core
61	Инициализация NVRAM
62	Настройка PCH Runtime Services
63	Запущена инициализация CPU DXE
64 - 67	Инициализация CPU DXE (только модуль CPU)
68	Инициализация PCI host bridge
69	Запущена инициализация System Agent DXE
6A	Запущена инициализация System Agent DXE SMM
6B - 6F	Инициализация System Agent DXE(только модуль System Agent)
70	Запущена инициализация PCH DXE
71	Запущена инициализация PCH DXE SMM
72	Инициализация устройств PCH
73 - 77	Инициализация PCH DXE (только модуль PCH)
78	Инициализация модуля ACPI
79	Инициализация CSM
7A - 7F	Зарезервировано для будущего использования кодами AMI DXE
90	Запуск фазы выбора загрузочного устройства Boot Device Selection (BDS)
91	Запущено подключение драйвера
92	Запущена инициализация PCI Bus

93	Инициализация контроллера PCI Bus Hot Plug Controller
94	PCI Bus Enumeration 32
95	PCI Bus Request Resources
96	PCI Bus Assign Resources
97	Подключение устройств Console Output
98	Подключение устройств Console Input
99	Инициализация Super IO
9A	Запущена инициализация USB
9B	USB Reset
9C	USB Detect
9D	USB Enable
9E - 9F	Зарезервировано для будущих кодов AMI
A0	Запущена инициализация IDE
A1	IDE Reset
A2	IDE Detect
A3	IDE Enable
A4	Запущена инициализация SCSI
A5	SCSI Reset
A6	SCSI Detect
A7	SCSI Enable
A8	Проверка пароля Setup
A9	Запуск Setup
AB	Ожидание ввода Setup
AD	Событие Ready To Boot
AE	Событие Legacy Boot
AF	Событие Exit Boot Services
B0	Начало Runtime Set Virtual Address MAP
B1	Конец Runtime Set Virtual Address MAP
B2	Инициализация Legacy Option ROM
B3	System Reset
B4	PCI bus hot plug
B5	PCI bus hot plug
B6	Очистка NVRAM
B7	Сброс конфигурации (сброс настроек NVRAM)
B8 - BF	Зарезервировано для будущего использования кодами AMI

### Коды ошибок DXE

D0	Ошибка инициализации процессора
D1	Ошибка инициализации System Agent

D2	Ошибка инициализации PCH
D3	Некоторые протоколы архитектуры недоступны
D4	Ошибка выделения ресурсов для PCI. Вне Ресурсов
D5	Нет свободного места для Legacy Option ROM
D6	Не найдены консольные устройства вывода
D7	Не найдены консольные устройства ввода
D8	Неверный пароль
D9	Ошибка загрузки Boot Option (ошибка загрузки образа)
DA	Ошибка Boot Option (ошибка запуска образа)
DB	Ошибка обновления
DC	Протокол сброса недоступен

### Прогресс-коды S3 Resume

E0	Запущен S3 Resume (S3 Resume PPI вызывает DXE IPL)
E1	Выполнение S3 Boot Script
E2	Перезапуск видео
E3	OS S3 wake vector call
E4 - E7	Зарезервировано для будущих прогресс-кодов AMI

### Коды ошибок S3 Resume

E8	Ошибка S3 Resume
E9	S3 Resume PPI не найден
EA	Ошибка загрузочного скрипта S3 Resume
EB	Ошибка выхода ОС из состояния S3
EC - EF	Зарезервировано для будущего использования кодами AMI

### Прогресс-коды восстановления

F0	Состояние восстановления инициировано прошивкой (Автоматическое восстановление)
F1	Состояние восстановления инициировано пользователем (Принудительное восстановление)
F2	Запущен процесс восстановления
F3	Найден образ прошивки восстановления
F4	Загружен образ прошивки восстановления

<b>F5 - F7</b>	Зарезервировано для будущего использования прогресс-кодами AMI
----------------	--

## Коды ошибок восстановления

<b>F8</b>	Восстановление PPI не доступно
<b>F9</b>	Капсула восстановления не найдена
<b>FA</b>	Неверная капсула восстановления
<b>FB - FF</b>	Reserved for future AMI error codes

## Коды состояний ACPI

Следующие коды появляются после загрузки и перехода операционной системы в режимы ACPI.

<b>01</b>	Система входит в режим сна S1
<b>02</b>	Система входит в режим сна S2
<b>03</b>	Система входит в режим сна S3
<b>04</b>	Система входит в режим сна S4
<b>05</b>	Система входит в режим сна S5
<b>10</b>	Система выходит из состояния сна S1
<b>20</b>	Система выходит из состояния сна S2
<b>30</b>	Система выходит из состояния сна S3
<b>40</b>	Система выходит из состояния сна S4
<b>AC</b>	Система перешла в режим ACPI. Контроллер прерываний в режиме PIC.
<b>AA</b>	Система перешла в режим ACPI. Контроллер прерываний в режиме APIC.

## Температура процессора

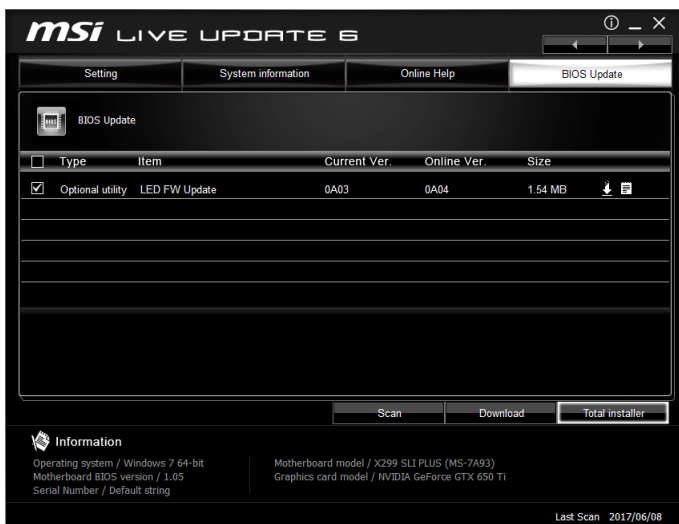
<b>00 - 99</b>	Отображают текущую температуру процессора после загрузки ОС.
----------------	--

## Обновление прошивки светодиодной подсветки

Обновление прошивки светодиодной подсветки может улучшить работу светодиодных эффектов.

Для обновление прошивки подсветки:

1. Установите и запустите MSI LIVE UPDATE 6.
2. Выберите **BIOS Update**.
3. Нажмите на кнопку **Scan**. Если прошивка подсветки требует обновления, в списке появится версия прошивки.
4. Выберите соответствующий пункт в списке.



5. Нажмите на значок **Total installer**, чтобы загрузить и установить файл прошивки.
6. По завершению процесса обновления, перезагрузите компьютер.

# Настройка BIOS

Настройки по умолчанию обеспечивают оптимальную производительность и стабильность системы при нормальных условиях. Если вы недостаточно хорошо знакомы с BIOS, **всегда устанавливайте настройки по умолчанию**. Это позволит избежать возможных повреждений системы, а также проблем с загрузкой.

## **Внимание!**

- С целью улучшения производительности, меню BIOS постоянно обновляется. В связи с этим данное описание может немного отличаться от последней версии BIOS и может использоваться в качестве справки. Для описания какого либо пункта меню настроек BIOS, вы можете обратиться к информационной панели **HELP**.
- Изображения в этой главе приведены исключительно в справочных целях и могут отличаться от фактических.

## Вход в настройки BIOS

Ниже представлены способы входа в настройки BIOS.

- Нажмите клавишу **Delete**, когда появляется сообщение на экране **Press DEL key to enter Setup Menu, F11 to enter Boot Menu** во время загрузки.
- При помощи приложения **MSI FAST BOOT**. Нажмите на кнопку **GO2BIOS** и выберите **OK**. Система перезагрузится и автоматически войдет в настройки BIOS.



Нажмите на кнопку **GO2BIOS**

## Функциональные клавиши

- F1:** Общая справка
- F2:** Добавить / Удалить избранный предмет
- F3:** Вход в меню Избранное
- F4:** Вход в меню технических параметров процессора
- F5:** Вход в меню Memory-Z
- F6:** Загрузить оптимизированные настройки по умолчанию
- F7:** Переключить между расширенном режимом и режимом EZ
- F8:** Загрузить профиль разгона
- F9:** Сохранить профиль разгона
- F10:** Сохранение изменений и перезагрузка\*
- F12:** Сделать скриншот и сохранить его на USB флэш-диск (только FAT / FAT32 формат).

**Ctrl+F:** Вход в страницу поиска

\* При нажатии клавиши **F10** появится информационное окно. Выберите **Yes** или **No**, чтобы подтвердить выбор.

## Сброс BIOS

В некоторых ситуациях необходимо выполнить восстановление настроек BIOS до значений по умолчанию. Существует несколько способов сброса настроек:

- Войдите в BIOS и нажмите клавишу **F6** для загрузки оптимизированных значений по умолчанию.
- Замкните **джампер Clear CMOS** на материнской плате.



### **Внимание!**

*Убедитесь, что компьютер выключен перед очисткой данных CMOS. Для получения дополнительной информации о сбросе настроек BIOS, обратитесь к разделу **Джампер очистки данных CMOS**.*

## Обновление BIOS

### Обновление BIOS при помощи M-FLASH

Подготовительные операции:

Пожалуйста, скачайте последнюю версию файла BIOS с сайта MSI, который соответствует вашей модели материнской платы. Сохраните файл BIOS на флэш-диске USB.

Обновление BIOS:

1. Нажмите клавишу Del для входа в настройки BIOS во время процедуры POST.
2. Вставьте флэш-диск USB, содержащий файл обновления в компьютер.
3. Выберите вкладку **M-FLASH** и нажмите на кнопку **Yes** для перезагрузки системы и входа в режим обновления.
4. Выберите файл BIOS для выполнения процесса обновления BIOS.
5. После завершения процесса обновления, система перезагрузится автоматически.

### Обновление BIOS при помощи Live Update 6

Перед обновлением:

Убедитесь, что драйвер локальной сети установлен и есть подключение к сети Интернет.

Обновление BIOS:

1. Установите и запустите MSI LIVE UPDATE 6.
2. Выберите **BIOS Update**.
3. Нажмите на кнопку **Scan**.
4. Нажмите на значок **Download**, чтобы загрузить и установить последнюю версию файла BIOS.
5. Нажмите кнопку **Next** и выберите **In Windows mode**. И затем нажмите кнопку **Next** и **Start** для запуска обновления BIOS.
6. По завершению процесса обновления, система перезагрузится автоматически.

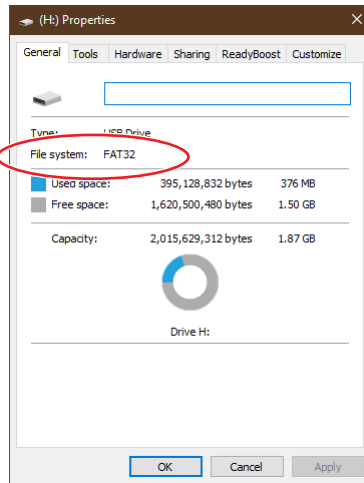
## Обновление BIOS при помощи кнопки Flash BIOS

1. Пожалуйста, скачайте последнюю версию файла BIOS с сайта MSI®, который соответствует вашей модели материнской платы.
2. Переименуйте файл BIOS в **MSI.ROM**, затем сохраните его в корневую папку флэш-диска USB (в формате FAT32).
3. Подключите блок питания к **CPU\_PWR1** и **ATX\_PWR1**. (Никакие другие компоненты кроме блока питания не используются.)
4. Подключите USB флэш-диск, содержащий файл MSI.ROM в **порт Flash BIOS** на задней панели портов ввода/ вывода.
5. Нажмите кнопку **Flash BIOS** для обновления BIOS и светодиод начинает мигать.
6. По завершению процесса обновления BIOS светодиод гаснет.



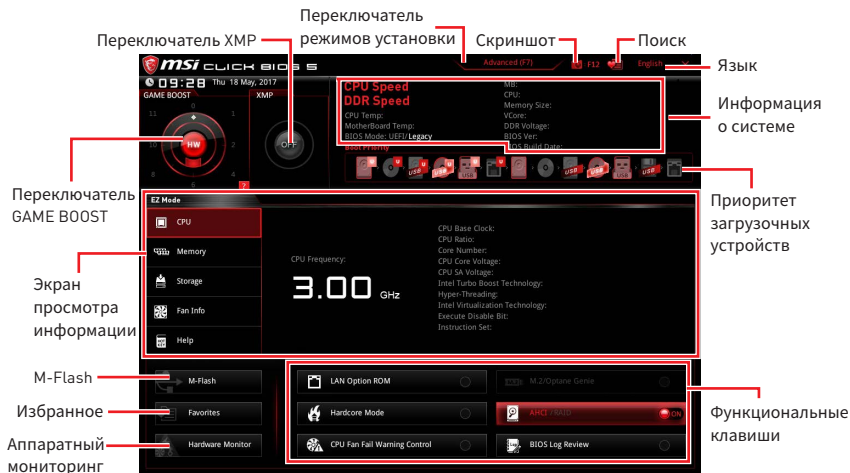
### **Внимание!**

Перед использованием **кнопки Flash BIOS** убедитесь, что USB флэш-диск имеет файловую систему FAT32. Для этого откройте Проводник Windows, щелкните правой кнопкой мыши по значку диска и выберите Свойства.



## Режим EZ

Режим EZ предоставляет основную информацию о системе и позволяет выполнить основные операции по настройке. Для настройки расширенных функций BIOS, пожалуйста, войдите в Расширенный режим, путем нажатия **Переключатель режимов установки** или при помощи функциональной клавиши **F7**.



• **Переключатель GAME BOOST** - нажмите на центральную кнопку для выбора режима управления **GAME BOOST** между **программным (SW)** и **аппаратным (HW)**. Внутренняя кнопка соответствует аппаратному режиму работы функции. Внешняя кнопка соответствует программному режиму. Информацию о частоте процессора каждого уровня в режиме **GAME BOOST**, можно получить нажав знак **?** в правом нижнем углу.

### **⚠ Внимание!**

*Для сохранения оптимальной производительности и стабильности системы после активации функции **GAME BOOST**, пожалуйста, не делайте никаких изменений в меню ОС и не загружайте настройки по умолчанию.*

- **Переключатель XMP** - нажмите на внутренний значок, чтобы включить/выключить X.M.P. (Extreme Memory Profile). Для выбора профиля X.M.P. переключите внешний значок. Этот переключатель доступен только в случае, если установлен модуль памяти с поддержкой X.M.P.
- **Переключатель режимов установки** - нажмите эту вкладку или клавишу **F7**, чтобы переключиться между режимами EZ и разгона.
- **Скриншот** - нажмите на эту вкладку или клавишу **F12**, чтобы сделать скриншот и сохранить его на флэш-диск USB (только FAT/ FAT32).
- **Поиск** - кликните по данной вкладке или нажмите клавиши **Ctrl + F** для перехода на страницу поиска. Это позволяет выполнить поиск по имени параметра BIOS. Для вывода списка пунктов BIOS, введите имя параметра. Наведите указатель мыши на пустое место и щелкните правой кнопкой мыши, для выхода со страницы поиска.

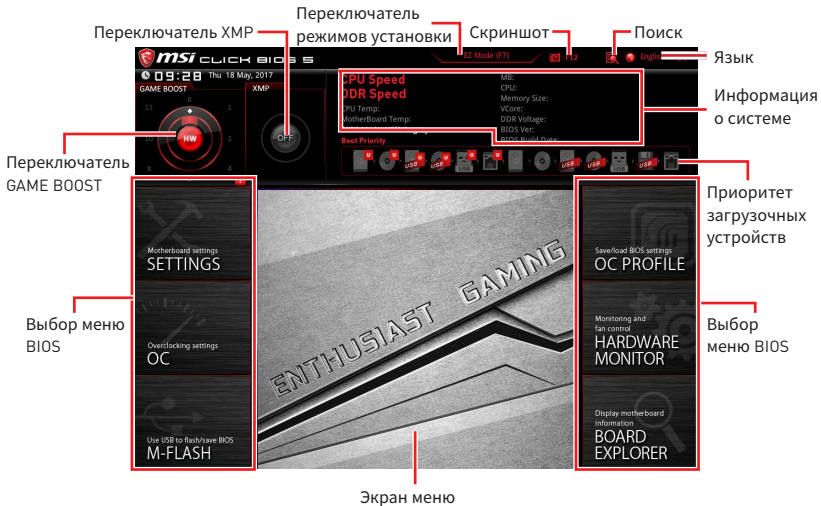
### **⚠ Внимание!**

*На странице поиска доступны только функциональные клавиши **F6**, **F10** и **F12**.*

- **Язык** - позволяет выбрать язык интерфейса настроек BIOS.
- **Информация о системе** - показывает частоту процессора/ памяти, температуру процессора/ материнской платы, информацию о материнской плате/процессоре, размер памяти, напряжение на процессоре/ памяти, версию BIOS и дату создания.
- **Приоритет загрузочных устройств** - вы можете переместить иконку устройства для изменения приоритета загрузки. Приоритет загрузки устанавливается слева направо, от высокого к низкому.
- **Экран просмотра информации** - нажмите на кнопку **CPU, Memory, Storage, Fan Info** и **Help** в левой части экрана для отображения соответствующей информации.
- **Функциональные клавиши** - включают или выключают **LAN Option ROM, M.2/Optane Genie, Hardcore Mode, AHCI, RAID, CPU Fan Fail Warning Control** и **BIOS Log Review**, при нажатии на соответствующую кнопку.
  - **Hardcore Mode** - позволяет процессору всегда работать на максимальной частоте для увеличения производительности системы. Включение данной функции приводит к увеличению энергопотребления.
- **M-Flash** - нажмите на эту кнопку для отображения меню **M-Flash**. Пункт позволяет выбрать способ обновления BIOS при помощи USB флеш накопителя.
- **Аппаратный мониторинг** - нажмите на эту кнопку для отображения меню **аппаратного мониторинга**. Пункт позволяет вручную регулировать скорость вращения вентиляторов в процентах.
- **Избранное** - нажмите на данную кнопку или клавишу **F3** для входа в меню **Избранное**. Позволяет создать личное меню BIOS, где вы можете сохранить и получить доступ к вашим любимым и часто используемым настройкам BIOS.
  - **Главная страница по умолчанию** - позволяет выбрать меню BIOS (например, параметры, ОС..., и т.д.) в качестве главной страницы BIOS.
  - **Избранное1-5** - позволяет добавлять наиболее часто используемые / любимые пункты настройки BIOS на одну страницу.
  - **Добавление пункта BIOS в страницу Избранное (избранное 1-5)**
    1. Выберите пункт BIOS в настройках ОС или меню ОС.
    2. Щелкните правой кнопкой мыши или нажмите клавишу **F2**.
    3. Выберите любимую страницу и нажмите на кнопку **OK**.
  - **Удаление пункта BIOS из страницы Избранное**
    1. Выберите пункт BIOS на странице Избранное (избранное 1-5).
    2. Щелкните правой кнопкой мыши или нажмите клавишу **F2**.
    3. Выберите **Delete** и нажмите на кнопку **OK**.

## Режим разгона

Нажмите **переключатель режимов установки** или функциональную клавишу **F7** для переключения между режимами EZ и разгона в настройках BIOS.



• **Переключатель GAME BOOST/ Переключатель XMP/ Переключатель режимов установки/ Скриншот/ Язык/ Информация о системе/ Приоритет загрузочных устройств** - пожалуйста, обратитесь к разделу Режим EZ.

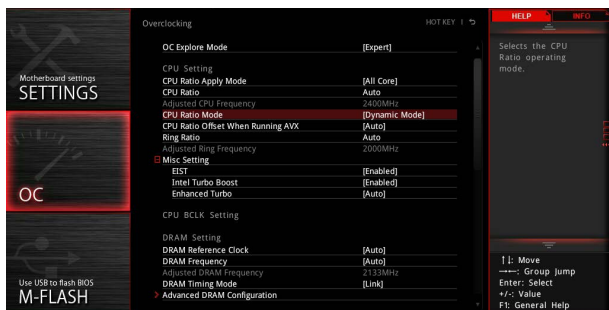
• **Выбор меню BIOS** - доступны следующие опции:

- **SETTINGS** - в данном меню представлены настройки чипсета и загрузочных устройств.
- **OC** - позволяют регулировать частоту и напряжение. Увеличение частоты приводит к увеличению производительности.
- **M-FLASH** - позволяет выбрать метод обновления BIOS с USB флэш-диска.
- **OC PROFILE** - позволяет управлять профилями разгона.
- **HARDWARE MONITOR** - позволяет установить скорость работы вентиляторов и мониторинг напряжений системы.
- **BOARD EXPLORER** - предоставляет информации об установленных устройствах на материнской плате.

• **Экран меню** - отображаются настройки BIOS и дополнительная информация.

## Меню OC

Данное меню предназначено для опытных пользователей и предоставляет возможности для «разгона» системы.



### **Внимание!**

- Разгонять ПК вручную рекомендуется только опытным пользователям.
- Производитель не гарантирует успешность разгона. Неправильное выполнение разгона может привести к аннулированию гарантии и серьезному повреждению оборудования.
- Неопытным пользователям рекомендуется использовать функцию **GAME BOOST**.

#### ► OC Explore Mode [Expert]

Включение или выключение отображения нормального или экспертного режима настроек разгона.

[Normal] Стандартные параметры разгона в BIOS.

[Expert] Расширенные параметры разгона в BIOS для опытных пользователей.

Примечание: Символом \* отмечаются параметры разгона в режиме Expert.

#### ► CPU Ratio Apply Mode [All Core]\*

Устанавливает режим применения для множителя CPU. Данный пункт появляется только, если процессор поддерживает **Turbo Boost**.

[All Core] Включает поле **CPU Ratio**. Все процессорные ядра работают с одинаковым множителем CPU, установленным в **CPU Ratio**.

[Per Core] Включает **X-Core Ratio Limit**. Устанавливает множитель для каждого ядра отдельно в **X-Core Ratio Limit**.

#### ► CPU Ratio [Auto]

Задание множителя процессора для установки его тактовой частоты. Изменение данного параметра возможно только в том случае, если процессор поддерживает данную функцию.

#### ► Adjusted CPU Frequency

Показывает текущую частоту процессора. Это значение нельзя изменять.

### ► CPU Ratio Mode [Dynamic Mode]\*

Выбор множителя процессора. Этот пункт появляется при установке множителя процессора вручную.

[Fixed Mode]      Фиксирует множитель процессора.

[Dynamic Mode]    Множитель процессора будет меняться в зависимости от загрузки процессора.

### ► CPU Ratio Offset When Running AVX [Auto]

Устанавливает значение смещения для понижения множителя процессора. Это может быть полезным для снижения тепловыделения при запуске набора инструкций AVX. Этот пункт появляется при установке процессора с поддержкой данной функции.

### ► Ring Ratio [Auto]

Установка множителя кольцевой шины. Диапазон допустимых значений зависит от установленного процессора.

### ► Adjusted Ring Frequency

Установка множителя кольцевой шины. Диапазон допустимых значений зависит от установленного процессора.

### ► Misc Setting\*

Нажмите клавишу Enter, + или -, чтобы включить или выключить следующие 3 пункта, связанные с характеристиками процессора.

#### ► EIST [Enabled]\*

Включение или выключение технологии Enhanced Intel® SpeedStep.

[Enabled]      Включение EIST для регулировки напряжения и частоты ядра процессора. Этот пункт может снизить среднее энергопотребление и тепловыделение.

[Disabled]     Выключение EIST.

#### ► Intel Turbo Boost [Enabled]\*

Включение или выключение Intel® Turbo Boost. Этот пункт появляется, когда установленный процессор поддерживает данную функцию.

[Enabled]      Включение этой функции приводит к автоматическому увеличению производительности процессора.

[Disabled]     Функция выключена.

#### ► Enhanced Turbo [Auto]\*

Функция Enhanced Turbo позволяет увеличивать частоту на всех ядрах процессора.

[Auto]          Этот параметр будет настроен автоматически с помощью BIOS.

[Enabled]      Увеличение частоты всех процессорных ядер до максимального значения.

[Disabled]     Функция выключена.

### ► Extreme Memory Profile (X.M.P.) [Disabled]

X.M.P. (Extreme Memory Profile) является технологией разгона для модулей памяти. Включите XMP или выберите профиль модуля памяти XMP для разгона. Этот пункт доступен при установке модулей памяти с поддержкой X.M.P.

### ► CPU Base Clock (MHz)

Установка базовой тактовой частоты процессора. Изменение этого параметра обеспечивает возможность «разгона» процессора. Обращаем ваше внимание, что успешность разгона и стабильная работа системы при этом не гарантируется. Этот пункт появляется, если установленный процессор поддерживает данную функцию.

### ► CPU Base Clock Apply Mode [Auto]\*

Устанавливает способ применения изменений для заданной базовой частоты процессора.

[Auto] Этот параметр будет настроен автоматически с помощью BIOS.

[Next Boot] Процессор перейдет на заданную базовую частоту при следующей загрузке.

[Immediate] Процессор перейдет на заданную базовую частоту немедленно.

### ► Direct OC Button [Enabled]

Включает или выключает клавиши базовой частоты для разгона в реальном времени.

### ► Direct OC Step (MHz) [1.00]\*

Настройка величины увеличения или уменьшения частоты BCLK при каждом нажатии кнопки + или -.

### ► Clockgen Features

Нажмите **Enter** для входа в подменю. Устанавливает параметры тактового генератора.

#### ► Dynamic Frequency Control [Disabled]

Функция позволяет динамически изменять базовую частоту процессора с определенным шагом в соответствии с его загрузкой. Этот пункт недоступен при включении функции **Dynamic Frequency Search**.

#### ► DFC Baseline (MHz) [Auto]

Вручную установить исходную базовую частоту для Dynamic Frequency Control. Этот пункт доступен при включении функции **Dynamic Frequency Control**.

#### ► Threshold 1~3 (A) [Auto]

Устанавливает порог загрузки процессора для **Dynamic Frequency Control**. Когда загрузка процессора достигнет заданного значения **Threshold 1/ 2/ 3**, базовая частота будет изменена на заданную в поле **Level 1/ 2/ 3 BCLK**. Эти элементы появляются, когда включен **Dynamic Frequency Control**.

#### ► Level 1~3 BCLK (MHz) [Auto]

Установка CPU BCLK в качестве пороговой. Эти элементы появляются, когда включен **Dynamic Frequency Control**.

► **Dynamic Frequency Search [Disabled]**

Включает или выключает оптимизацию базовой тактовой для процессора. Этот пункт недоступен при включении функции **Dynamic Frequency Control**.

► **Dynamic Frequency Search Mode [Once]**

Установка режима поиска динамического BCLK. Этот пункт недоступен при включении функции **Dynamic Frequency Search**.

[Once]                   Разовый запуск при следующей загрузке системы.

[Each Power On]       Запуск каждый раз при загрузке системы.

► **Dynamic Frequency Search Step (MHz) [Auto]**

Устанавливает инкремент/ значение для каждого шага оптимизации базовой частоты. При установке в **Auto**, BIOS автоматически настроит этот параметр. Этот пункт доступен при включении функции **Dynamic Frequency Search**.

► **BCLK Amplitude [Auto]**

Установка значения BCLK Amplitude для разгона. Увеличение значения способствует разгону.

► **SRC Clock Amplitude [Auto]**

Установка значения для SRC clock Amplitude.

► **SATA Clock Amplitude [Auto]**

Установка значения для SATA clock Amplitude.

► **BCLK Slew Rate [Auto]**

Устанавливает значение продолжительности BCLK Slew Rate для разгона. Значение может изменяться в зависимости от фактического сценария разгона.

► **BCLK ORT Duration [Auto]**

Устанавливает значение продолжительности BCLK ORT для разгона. Значение может изменяться в зависимости от фактического сценария разгона.

► **DRAM Reference Clock [Auto]\***

Установка референсной частоты DRAM. Диапазон допустимых значений зависит от установленного процессора. Этот пункт доступен, если установлен соответствующий процессор.

► **DRAM Frequency [Auto]**

Установка частоты памяти DRAM. Обратите внимание, что возможность успешного разгона не гарантируется.

► **Adjusted DRAM Frequency**

Показывает текущую частоту DRAM. Это значение нельзя изменять.

► **Memory Try It ! [Disabled]**

Позволяет улучшить совместимость памяти и производительность, путем выбора наиболее оптимального пресета.

### ► DRAM Timing Mode [Link]

Режимы таймингов памяти.

[Link] Позволяет пользователю настроить тайминги DRAM вручную для всех каналов памяти.

[UnLink] Позволяет пользователю настроить тайминги DRAM вручную для соответствующего канала памяти.

### ► Advanced DRAM Configuration

Нажмите **Enter** для входа в подменю. Пользователь может настроить тайминги для каждого канала памяти. Система может работать нестабильно или не загружаться после изменения таймингов памяти. Если система работает нестабильно, пожалуйста, очистите данные CMOS и восстановите настройки по умолчанию. (см. переключатель очистки данных CMOS/раздел кнопки для очистки данных CMOS и вход в BIOS, чтобы загрузить настройки по умолчанию.)

### ► Memory Fast Boot [Auto]\*

Включает или выключает инициализацию и тренировку памяти при каждой загрузке.

[Auto] Этот параметр будет настроен автоматически с помощью BIOS.

[Enabled] Система будет сохранять настройки, определенные при первой инициализации и тренировке памяти. Оперативная память более не будет подвергаться процессу инициализации и тренировке измененными настройками для ускорения загрузки.

[Disabled] Память будет проходить процесс инициализации и тренировки при каждой загрузке.

### ► DigitALL Power

Нажмите **Enter** для входа в подменю. Функция управляет цепями питания, связанными с PWM процессора.

### ► VCCIN Voltage [Auto]

Установка входного напряжения процессора. Входное напряжение процессора используется для питания различных его блоков.

### ► CPU Voltages control [Auto]

Эти параметры позволяют вам задать напряжения, связанные с процессором. При установке в **Auto**, BIOS установит напряжения автоматически. Вы также можете настроить напряжения вручную.

### ► DRAM Voltages control [Auto]

Эти параметры позволяют вам задать напряжения, связанные с памятью. При установке в **Auto**, BIOS установит напряжения автоматически. Вы также можете настроить напряжения вручную.

### ► PCH Voltages control [Auto] (опционально)

Эти параметры позволяют вам задать напряжения, связанные с PCH. При установке в **Auto**, BIOS установит напряжения автоматически. Вы также можете настроить напряжения вручную.

### ► CPU Memory Changed Detect [Enabled]\*

Включение или выключение предупреждающих сообщений при загрузке системы, когда процессор или память были заменены.

[Enabled] Система выдает предупреждение во время загрузки. Требуется загрузить настройки по умолчанию для новых устройств.

[Disabled] Выключение этой функции и сохранение текущих настроек BIOS.

### ► CPU Specifications

Нажмите **Enter** для входа в подменю. В этом подменю представлена информация об установленном процессоре. Для просмотра этой информации в любое время нажмите на кнопку [F4]. Это значение нельзя изменять.

#### ► CPU Technology Support

Нажмите **Enter** для входа в подменю. В данном подменю отображаются основные функции, поддерживаемые установленным процессором. Это значение нельзя изменять.

### ► MEMORY-Z

Нажмите **Enter** для входа в подменю. В подменю выделены все параметры и тайминги установленной памяти. Для просмотра этой информации в любое время нажмите на кнопку [F5].

#### ► DIMMx Memory SPD

Нажмите **Enter** для входа в подменю. Это подменю показывает информацию об установленной памяти. Это значение нельзя изменять.

### ► CPU Features

Нажмите **Enter** для входа в подменю.

#### ► Hyper-Threading [Enabled]

Технология Intel Hyper-Threading позволяет нескольким наборам регистров в процессоре исполнять инструкции одновременно. Это существенно увеличивает производительность системы. Этот пункт появляется, когда установленный процессор поддерживает изменение данного параметра.

[Enable] Включить технологию Intel Hyper-Threading.

[Disabled] Выключить эту функцию, если система не поддерживает функцию HT.

#### ► Limit CPUID Maximum [Disabled]

Включение или выключение расширенных значений CPUID.

[Enabled] BIOS будет ограничивать максимальное входное значение CPUID для обхода проблемы загрузки в устаревших операционных системах, не поддерживающих процессор с расширенными значениями CPUID.

[Disabled] Используйте фактическое максимальное входное значение CPUID.

► **Intel Virtualization Tech [Enabled]**

Включение или выключение технологии Intel Virtualization.

[Enabled] Включение технологии Intel Virtualization и позволяют платформу запустить нескольких операционных систем в независимых разделах. Система может функционировать в качестве нескольких систем виртуально.

[Disabled] Выключение этой функции.

► **Intel VT-D Tech [Disabled]**

Включение или выключение технологии Intel VT-D (Intel Virtualization for Direct I/O).

► **Hardware Prefetcher [Enabled]**

Включение или выключение аппаратной предвыборки (MLC Streamer prefetcher).

[Enabled] Позволяет автоматически реализовывать предвыборку данных и инструкций из памяти в кэш L2 для настройки производительности процессора.

[Disabled] Выключение аппаратной предвыборки.

► **Adjacent Cache Line Prefetch [Enabled]**

Включение или выключение предвыборки процессора (MLC Spatial prefetcher).

[Enabled] Включает соседней предвыборки линии кэша для сокращения времени задержки кэша и настройки производительности для определенного приложения

[Disabled] Включает только запрашиваемую линию кэша.

► **CPU AES Instructions [Enabled]**

Включение или выключение поддержки CPU AES (Advanced Encryption Standard-New Instructions). Этот пункт появляется, если процессор поддерживает данную функцию.

► **Intel Adaptive Thermal Monitor [Enabled]**

Включение или выключение адаптивного температурного мониторинга для защиты процессора от перегрева.

[Enabled] Уменьшает частоту ядра процессора, когда процессор превышает адаптивную температуру.

[Disabled] Выключение функции.

► **Intel C-State [Auto]**

Включение или выключение Intel C-State. C-State является технологией управления питанием процессора, определенной ACPI.

[Auto] Параметр будет настроен автоматически с помощью BIOS.

[Enabled] Определяет состояние простоя системы и значительно сокращает энергопотребление процессором.

[Disabled] Выключение функции.

► **C1E Support [Disabled]**

Включение или выключение функции C1E для энергосбережения в состоянии простоя. Данный пункт появляется при включении “Intel C-State”.

[Enabled]      включение функции C1E для снижения частоты и напряжения процессора в целях энергосбережения в состоянии простоя.

[Disabled]     Выключение функции.

► **Package C State Limit [Auto]**

Данный параметр позволяет выбрать режим C-state для энергосбережения при простое системы. Варианты C-state зависят от установленного процессора. Этот элемент появляется при включении Intel C-State.

► **CFG Lock [Enabled]**

Блокировка или разблокировка MSR 0xE2[15], бит блокировки CFG.

[Enabled]      Блокирует бит блокировки CFG.

[Disabled]     Разблокирует бит блокировки CFG.

► **Long Duration Power Limit (W) [Auto]**

Настроить предельную мощность TDP процессора для длительной работы в режиме Turbo Boost.

► **Long Duration Maintained (s) [Auto]**

Настроить максимальное время работы процессора с ограничением мощности при Long Duration Power Limit(W).

► **Short Duration Power Limit (W) [Auto]**

Настроить предельную мощность TDP процессора при кратковременных нагрузках в режиме Turbo Boost.

► **CPU Current Limit (A) [Auto]**

Устанавливает максимальное ограничение по току для процессора в режиме Turbo Boost. В случае превышения установленного значения, процессор автоматически снижает частоту ядер.

► **Internal VR OVP OCP Protection [Auto]**

Включение или выключение защиты от повышенного напряжения и перегрузки по току для внутренних регуляторов напряжения процессора.

[Auto]          Этот параметр будет настроен автоматически с помощью BIOS.

[Enabled]      Устанавливает на внутренних регуляторах напряжения процессора ограничение по напряжению и току.

[Disabled]     Выключение функции.

► **Internal VR Efficiency Management [Auto]**

Включение или выключение управления эффективностью внутренних регуляторов напряжения процессора.

[Auto]          Этот параметр будет настроен автоматически с помощью BIOS.

[Enabled]      Включает управление эффективностью регуляторов для контроля энергосбережения.

[Disabled]     Выключение функции.

# Описание программного обеспечения

## Установка Windows® 10

1. Включите компьютер.
2. Вставьте диск Windows® 10 в привод для оптических дисков.
3. Нажмите кнопку **Restart** на корпусе компьютера.
4. Нажмите клавишу **F11** во время POST (Power-On Self Test) компьютера, чтобы войти в меню загрузки.
5. Выберите оптический привод в меню загрузки.
6. Нажмите любую клавишу, когда на экране показывает сообщение **Press any key to boot from CD or DVD...**
7. Следуйте инструкциям на экране, чтобы установить Windows® 10.

## Установка драйверов

1. Загрузите компьютер в Windows® 10.
2. Вставьте диск с драйверами MSI® Driver Disc в привод для оптических дисков.
3. Автоматически отобразится окно установщика, который найдет и перечислит все необходимые драйверы.
4. Нажмите кнопку **Install**.
5. Начнется установка драйверов. После ее завершения будет предложено перезапустить систему.
6. Нажмите кнопку **OK** для завершения.
7. Перезапустите компьютер.

## Установка утилит

Перед установкой утилиты необходимо выполнить установку драйверов.

1. Вставьте диск с драйверами MSI® Driver Disc в привод для оптических дисков.
2. Автоматически отобразится окно установщика.
3. Нажмите вкладку **Utilities**.
4. Выберите необходимые для установки утилиты.
5. Нажмите кнопку **Install**.
6. Начнется установка программного обеспечения. После ее завершения будет предложено перезапустить систему.
7. Нажмите кнопку **OK** для завершения.
8. Перезапустите компьютер.



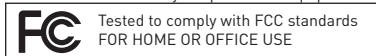
# Regulatory Notices

## FCC Compliance Statement

Note: This equipment has been tested and found to comply with the limits for a Class B digital device, pursuant to part 15 of the FCC Rules. These limits are designed to provide reasonable protection against harmful interference in a residential installation. This equipment generates, uses and can radiate radio frequency energy and, if not installed and used in accordance with the instructions, may cause harmful interference to radio communications. However, there is no guarantee that interference will not occur in a particular installation. If this equipment does cause harmful interference to radio or television reception, which can be determined by turning the equipment off and on, the user is encouraged to try to correct the interference by one or more of the following measures:

- Reorient or relocate the receiving antenna.
- Increase the separation between the equipment and receiver.
- Connect the equipment into an outlet on a circuit different from that to which the receiver is connected.
- Consult the dealer or an experienced radio/TV technician for help.

Caution: Changes or modifications not expressly approved by the party responsible for compliance could void the user's authority to operate the equipment.



This device complies with part 15 of the FCC Rules. Operation is subject to the following two conditions: (1) This device may not cause harmful interference, and (2) this device must accept any interference received, including interference that may cause undesired operation.

## CE Conformity

**CE** Products bearing the CE marking comply with one or more of the following EU Directives as may be applicable:  
RED 2014/53/EU; Low Voltage Directive 2014/35/EU; EMC Directive 2014/30/EU; RoHS Directive 2011/65/EU. Compliance with these directives is assessed using applicable European Harmonized Standards. The point of contact for regulatory matters is MSI, MSI-NL Eindhoven 5706 5692 ER Son.

## B급 기기 (가정용 방송통신기자재)

**K** 이 기기는 가정용(B급) 전자파적합기기로서 주로 가정에서 사용하는 것을 목적으로 하며, 모든 지역에서 사용할 수 있습니다.

## クラスB情報技術装置

**VCI** この装置は、クラスB情報技術装置です。この装置は、家庭環境で使用することを目的としていますが、この装置がラジオやテレビジョン受信機に近接して使用されると、受信障害を引き起こすことがあります。取扱説明書に従って正しい取り扱いをして下さい

**YCCI-B**

## C-Tick Compliance



## Battery Information

European Union:



Batteries, battery packs, and accumulators should not be disposed of as unsorted household waste. Please use the public collection system to return, recycle, or treat them in compliance with the local regulations.

Taiwan:



廢電池請回收  
For better environmental protection, waste batteries should be collected separately for recycling or special disposal.

California, USA:



The button cell battery may contain perchlorate material and requires special handling when recycled or disposed of in California.

For further information please visit:

<http://www.dtsc.ca.gov/hazardouswaste/perchlorate/>

CAUTION: There is a risk of explosion, if battery is incorrectly replaced.

Replace only with the same or equivalent type recommended by the manufacturer.

## Chemical Substances Information

In compliance with chemical substances regulations, such as the EU REACH Regulation (Regulation EC No. 1907/2006 of the European Parliament and the Council), MSI provides the information of chemical substances in products at:  
[http://www.msi.com/html/popup/csr/evmtprrt\\_pcm.html](http://www.msi.com/html/popup/csr/evmtprrt_pcm.html)

## Environmental Policy

- The product has been designed to enable proper reuse of parts and recycling and should not be thrown away at its end of life.
- Users should contact the local authorized point of collection for recycling and disposing of their end-of-life products.
- Visit the MSI website and locate a nearby distributor for further recycling information.
- Users may also reach us at [gpcontdev@msi.com](mailto:gpcontdev@msi.com) for information regarding proper Disposal, Take-back, Recycling, and Disassembly of MSI products.



## WEEE (Waste Electrical and Electronic Equipment) Statement

ENGLISH

To protect the global environment and as an environmentalist, MSI must remind you that...

Under the European Union ("EU") Directive on Waste Electrical and Electronic Equipment, Directive 2002/96/EC, which takes effect on August 13, 2005, products of "electrical and electronic equipment" cannot



be discarded as municipal wastes anymore, and manufacturers of covered electronic equipment will be obligated to take back such products at the end of their useful life. MSI will comply with the product take back requirements at the end of life of MSI-branded products that are sold into the EU. You can return these products to local collection points.

#### DEUTSCH

Hinweis von MSI zur Erhaltung und Schutz unserer Umwelt  
Gemäß der Richtlinie 2002/96/EG über Elektro- und Elektronik-Altgeräte dürfen Elektro- und Elektronik-Altgeräte nicht mehr als kommunale Abfälle entsorgt werden. MSI hat europaweit verschiedene Sammel- und Recyclingunternehmen beauftragt, die in die Europäische Union in Verkehr gebrachten Produkte, am Ende seines Lebenszyklus zurückzunehmen. Bitte entsorgen Sie dieses Produkt zum gegebenen Zeitpunkt ausschließlich an einer lokalen Altgerätesammelstelle in Ihrer Nähe.

#### FRANÇAIS

En tant qu'écologiste et afin de protéger l'environnement, MSI tient à rappeler ceci...  
Au sujet de la directive européenne (EU) relative aux déchets des équipements électriques et électroniques, directive 2002/96/EC, prenant effet le 13 août 2005, que les produits électriques et électroniques ne peuvent être déposés dans les décharges ou tout simplement mis à la poubelle. Les fabricants de ces équipements seront obligés de récupérer certains produits en fin de vie. MSI prendra en compte cette exigence relative au retour des produits en fin de vie au sein de la communauté européenne. Par conséquent vous pouvez retourner localement ces matériels dans les points de collecte.

#### РУССКИЙ

Компания MSI предпринимает активные действия по защите окружающей среды, поэтому напоминаем вам, что....  
В соответствии с директивой Европейского Союза (ЕС) по предотвращению загрязнения окружающей среды использованным электрическим и электронным оборудованием (директива WEEE 2002/96/EC), вступающей в силу 13 августа 2005 года, изделия, относящиеся к электрическому и электронному оборудованию, не могут рассматриваться как бытовой мусор, поэтому производители вышеперечисленного электронного оборудования обязаны принимать его для переработки по окончании срока службы. MSI обязуется соблюдать требования по приему продукции, проданной под маркой MSI на территории ЕС, в переработку по окончании срока службы. Вы можете вернуть эти изделия в специализированные пункты приема.

#### ESPAÑOL

MSI como empresa comprometida con la protección del medio ambiente, recomienda:  
Bajo la directiva 2002/96/EC de la Unión Europea en materia de desechos y/o equipos electrónicos, con fecha de rigor desde el 13 de agosto de 2005, los productos clasificados como "eléctricos y equipos electrónicos" no pueden ser depositados en los contenedores habituales de su municipio, los fabricantes de equipos electrónicos, están obligados a hacerse cargo de dichos productos al término de su período de vida. MSI estará comprometido con los términos de recogida de sus productos vendidos en

la Unión Europea al final de su periodo de vida. Usted debe depositar estos productos en el punto limpio establecido por el ayuntamiento de su localidad o entregar a una empresa autorizada para la recogida de estos residuos.

#### NEDERLANDS

Om het milieu te beschermen, wil MSI u eraan herinneren dat....  
De richtlijn van de Europese Unie (EU) met betrekking tot Vervuiling van Elektrische en Electronische producten (2002/96/EC), die op 13 Augustus 2005 in zal gaan kunnen niet meer beschouwd worden als vervuiling. Fabrikanten van dit soort producten worden verplicht om producten retour te nemen aan het eind van hun levenscyclus. MSI zal overeenkomstig de richtlijn handelen voor de producten die de merknaam MSI dragen en verkocht zijn in de EU. Deze goederen kunnen geretourneerd worden op lokale inzamelingspunten.

#### SRPSKI

Da bi zaštitili prirodnu sredinu, i kao proizvođače koje vodi računa o okolini i prirodnoj sredini, MSI mora da vas podesti da...  
Po Direktivi Evropske unije ("UE") o odbačenoj eelektronskoj i električnoj opremi, Direktiva 2002/96/EC, koja stupa na snagu od 13. Avgusta 2005, proizvođači koji spadaju pod "elektronsku i električnu opremu" ne mogu više biti odbačeni kao običan otpad i proizvođači ove opreme biće prinuđeni da uzmu natrag ove proizvode na kraju njihovog uobičajenog veka trajanja. MSI će poštovati zahtev o preuzimanju ovakvih proizvoda kojima je istekao vek trajanja, koji imaju MSI oznaku i koji su prodati u EU. Ove proizvode možete vratiti na lokalnim mestima za prikupljanje.

#### POLSKI

Aby chronić nasze środowisko naturalne oraz jako firma dbająca o ekologię, MSI przypomina, że...  
Zgodnie z Dyrektywą Unii Europejskiej ("UE") dotyczącą odpadów produktów elektrycznych i elektronicznych (Dyrektywa 2002/96/EC), która wchodzi w życie 13 sierpnia 2005, tzw. "produkty oraz wyposażenie elektryczne i elektroniczne" nie mogą być traktowane jako śmieci komunalne, tak więc producenci tych produktów będą zobowiązani do odbierania ich w momencie gdy produkt jest wycofywany z użycia. MSI wypełni wymagania UE, przyjmując produkty (sprzedawane na terenie Unii Europejskiej) wycofywane z użycia. Produkty MSI będzie można zwracać w wyznaczonych punktach zbiorczych.

#### TÜRKÇE

Çevreci özelliğiyle bilinen MSI dünyada çevreyi korumak için titrlatır:  
Avrupa Birliği (AB) Kararnamesi Elektrik ve Elektronik Malzeme Atığı, 2002/96/EC Kararnamesi altında 13 Ağustos 2005 tarihinden itibaren geçerli olmak üzere, elektrikli ve elektronik malzemeler diğer atıklar gibi çöpe atılmayacak ve bu elektronik cihazların üreticileri, cihazların kullanım süreleri bittikten sonra ürünleri geri toplamakla yükümlü olacaktır. Avrupa Birliği'ne satılan MSI markalı ürünlerin kullanım süreleri bittiğinde MSI ürünlerin geri alınması isteği ile işbirliği içerisinde olacaktır. Ürünlerinizi yerel toplama noktalarına bırakabilirsiniz.

#### ČESKY

Záleží nám na ochraně životního prostředí - společnost MSI upozorňuje...  
Podle směrnice Evropské unie ("UE") o likvidaci elektrických a elektronických výrobků 2002/96/

EC platné od 13. srpna 2005 je zakázáno likvidovat "elektrické a elektronické výrobky" v běžném komunálním odpadu a výrobci elektronických výrobků, na které se tato směrnice vztahuje, budou povinni odebrat takové výrobky zpět po skončení jejich životnosti. Společnost MSI splní požadavky na odebrání výrobků značky MSI, prodávaných v zemích EU, po skončení jejich životnosti. Tyto výrobky můžete odevzdat v místních sběrnách.

#### MAGYAR

Annak érdekében, hogy környezetünket megvédjük, illetve környezetvédeként fellépve az MSI emlékezteti Önt, hogy ...

Az Európai Unió („EU”) 2005. augusztus 13-án hatályba lépett, az elektromos és elektronikus berendezések hulladékaikról szóló 2002/96/EK irányelve szerint az elektromos és elektronikus berendezések többé nem kezelhetők lakossági hulladékként, és az ilyen elektronikus berendezések gyártói kötelesek válnak az ilyen termékek visszavételére azok hasznos élettartama végén. Az MSI betartja a termék visszavételével kapcsolatos követelményeket az MSI márkánév alatt az EU-n belül értékesített termékek esetében, azok élettartamának végén. Az ilyen termékeket a legközelebbi gyűjtőhelyre viheti.

#### ITALIANO

Per proteggere l'ambiente, MSI, da sempre amica della natura, ti ricorda che...

In base alla Direttiva dell'Unione Europea (EU) sullo Smaatimento dei Materiali Elettrici ed Elettronici, Direttiva 2002/96/EC in vigore dal 13 Agosto 2005, prodotti appartenenti alla categoria dei Materiali Elettrici ed Elettronici non possono più essere eliminati come rifiuti municipali: i produttori di detti materiali saranno obbligati a ritirare ogni prodotto alla fine del suo ciclo di vita. MSI si adegnerà a tale Direttiva ritirando tutti i prodotti marchiati MSI che sono stati venduti all'interno dell'Unione Europea alla fine del loro ciclo di vita. È possibile portare i prodotti nel più vicino punto di raccolta

## 日本JIS C 0950材質宣言

日本工業規格JIS C 0950により、2006年7月1日以降に販売される特定分野の電気および電子機器について、製造者による含有物質の表示が義務付けられます。

[http://www.msi.com/html/popup/csr/cemm\\_jp.html](http://www.msi.com/html/popup/csr/cemm_jp.html)  
[http://tw.msi.com/html/popup/csr\\_tw/cemm\\_jp.html](http://tw.msi.com/html/popup/csr_tw/cemm_jp.html)

## India RoHS

This product complies with the "India E-waste (Management and Handling) Rule 2011" and prohibits use of lead, mercury, hexavalent chromium, polybrominated biphenyls or polybrominated diphenyl ethers in concentrations exceeding 0.1 weight % and 0.01 weight % for cadmium, except for the exemptions set in Schedule 2 of the Rule.

## Türkiye EEE yönetmeliği

Türkiye Cumhuriyeti: EEE Yönetmeliğine Uygundur

## Україна обмеження на наявність небезпечних речовин

Обладнання відповідає вимогам Технічного регламенту щодо обмеження Використання деяких небезпечних речовин в електричному та електронному обладнанні, затвердженого постановою Кабінету Міністрів України від 3 грудня 2008 № 1057.

## Việt Nam RoHS

Kể từ ngày 01/12/2012, tất cả các sản phẩm do công ty MSI sản xuất tuân thủ Thông tư số 30/2011/TT-BCT quy định tạm thời về giới hạn hàm lượng cho phép của một số hóa chất độc hại có trong các sản phẩm điện, điện tử"

## Wireless Radio Use

This device is restricted to indoor use when operating in the 2.4GHz, 5GHz frequency band.

Cet appareil doit être utilisé à l'intérieur.

당해 무선설비는 운용중 전파혼신 가능성이 있음.

この製品は、周波数帯域 2.4GHz, 5GHz で動作しているときは、屋内においてのみ使用可能です。

### NCC無線設備警告聲明


工作頻率 2.4GHz, 5GHz 該频段限於室內使用。經型式認證合格之低功率射頻電機，非經許可，公司、商號或使用者均不得擅自變更頻率、加大功率或變更原設計之特性及功能。

低功率射頻電機之使用不得影響飛航安全及干擾合法通信；經發現有干擾現象時，應立即停用，並改善至無干擾時方得繼續使用。前項合法通信，指依電信法規定作業之無線電通信。低功率射頻電機須忍受合法通信或工業、科學及醫療用電波輻射性電機設備之干擾。

### Products with radio functionality (EMF)

This product incorporates a radio transmitting and receiving device. For computers in normal use, a separation distance of 20 cm ensures that radio frequency exposure levels comply with EU requirements. Products designed to be operated at closer proximities, such as tablet computers, comply with applicable EU requirements in typical operating positions. Products can be operated without maintaining a separation distance unless otherwise indicated in instructions specific to the product.


### Restrictions for products with radio functionality

 CAUTION: IEEE 802.11x wireless LAN with 5.15–5.35 GHz frequency band is restricted for indoor use only in all European Union member states, EFTA (Iceland, Norway, Liechtenstein), and most other European countries (e.g., Switzerland, Turkey, Republic of Serbia). Using this WLAN application outdoors might lead to interference issues with existing radio services.

### Radio frequency bands and maximum power levels

Features	:802.11 a/b/g/n/ac, BT
Frequency Range	:2.4GHz, 5GHz
Modulation	:FHSS, DSSS, OFDM
Power Output	:10, 20, 23
Channel Band Width	:1, 5, 20, 40, 80MHz

## 产品中有害物质的名称及含量

部件名称	有害物质					
	铅 (Pb)	汞 (Hg)	镉 (Cd)	六价铬 (Cr(VI))	多溴联苯 (PBB)	多溴二苯醚 (PBDE)
印刷电路板组件*	×	○	○	○	○	○
电池** 	×	○	○	○	○	○
外部信号连接头	×	○	○	○	○	○
线材	×	○	○	○	○	○

本表格依据 SJ/T 11364 的规定编制。

○：表示该有害物质在该部件所有均质材料中的含量均在 GB/T 26572 规定的限量要求以下。

×：表示该有害物质至少在该部件的某一均质材料中的含量超出 GB/T 26572 规定的限量要求，但所有部件都符合欧盟 RoHS 要求。

\* 印刷电路板组件：包括印刷电路板及其构成的零部件。

\*\* 电池本体上如有环保使用期限标识，以本体标识为主。

■ 上述有毒有害物质或元素清单会依型号之部件差异而有所增减。

■ 产品部件本体上如有环保使用期限标识，以本体标识为主。

## 限用物質含有情況標示聲明書

單元	限用物質及其化學符號					
	鉛 (Pb)	汞 (Hg)	鎘 (Cd)	六價鉻 (Cr <sup>VI</sup> )	多溴聯苯 (PBB)	多溴二苯醚 (PBDE)
電路板	○	○	○	○	○	○
電子元件	—	○	○	○	○	○
金屬機構件	—	○	○	○	○	○
塑膠機構件	○	○	○	○	○	○

備考 1. “超出 0.1 wt %” 及 “超出 0.01 wt %” 係指限用物質之百分比含量超出百分比含量基準值。

備考 2. “○” 係指該項限用物質之百分比含量未超出百分比含量基準值。

備考 3. “—” 係指該項限用物質為排除項目。

## Copyright

**msi** Micro-Star Int'l Co., Ltd.  
Copyright © 2019 All rights reserved.

The material in this document is the intellectual property of Micro-Star Int'l Co., Ltd. We take every care in the preparation of this document, but no guarantee is given as to the correctness of its contents. Our products are under continual improvement and we reserve the right to make changes without notice.

## Technical Support

If a problem arises with your system and no solution can be obtained from the user guide, please contact your place of purchase or local distributor. Alternatively, please try the following help resources for further guidance.

- Visit the MSI website for technical guide, BIOS updates, driver updates, and other information: <http://www.msi.com>
- Register your product at: <http://register.msi.com>

## Trademark Recognition

All product names used in this manual are the properties of their respective owners and are acknowledged.

## Revision History

Version 1.0, 2017/06, First release.  
Version 1.1, 2019/11, Update Flash BIOS Button